

DGK7F Generator

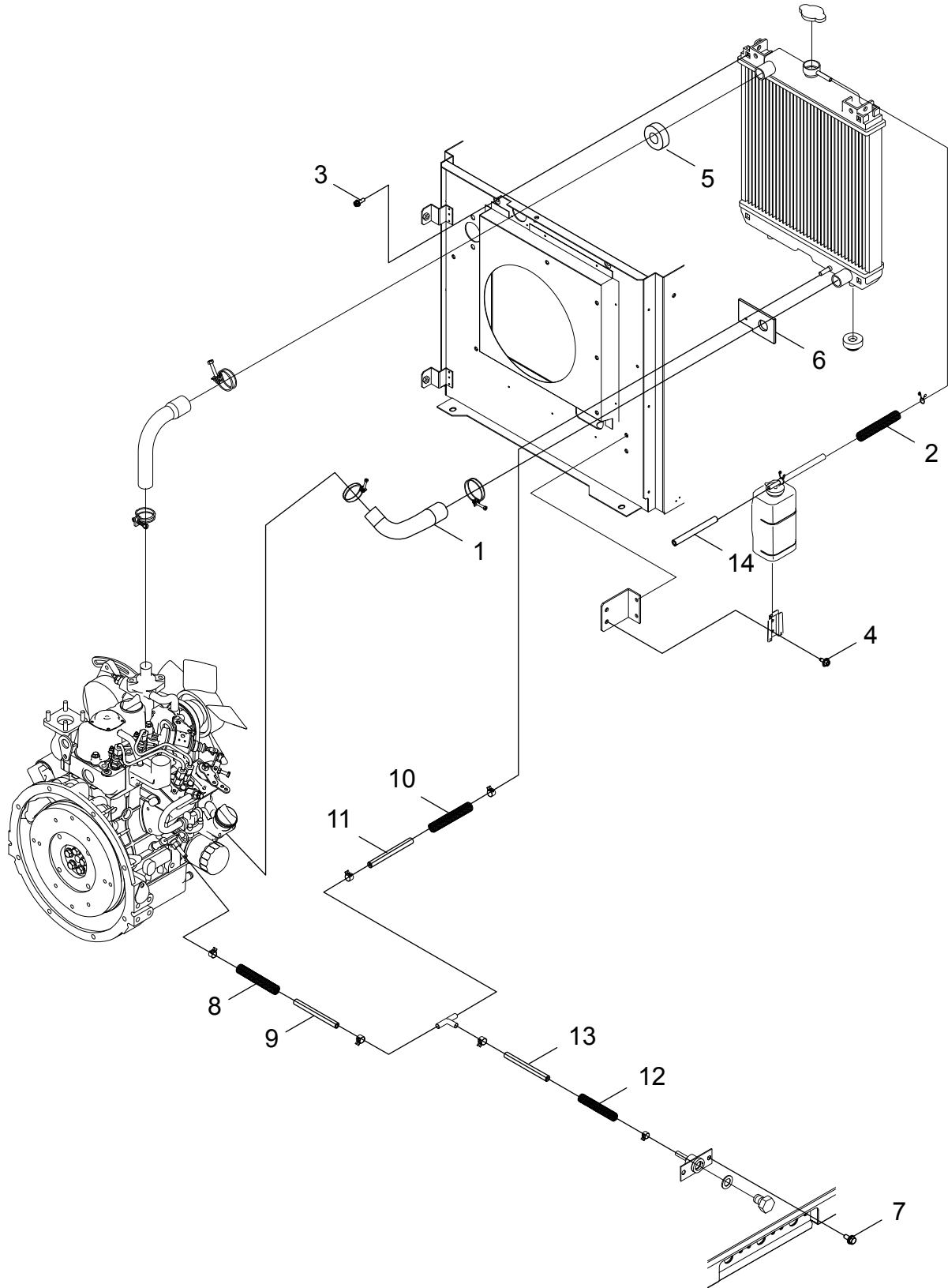


SERIAL NUMBERS

D17601000021 - D17601999999

| | | | |
|---|----|---|----|
| RADIATOR ASSEMBLY | 2 | TOP ENCLOSURE | 18 |
| RADIATOR ASSEMBLY | 3 | TOP ENCLOSURE | 19 |
| AIR AND MUFFLER ASSEMBLY | 4 | ENGINE PARTS | 20 |
| AIR AND MUFFLER ASSEMBLY | 5 | ENGINE PARTS | 21 |
| FUEL TANK, OIL CONTAINMENT | 6 | ALTERNATOR | 22 |
| FUEL TANK, OIL CONTAINMENT | 7 | ALTERNATOR | 23 |
| FUEL LINES | 8 | MAIN CONTROL PANEL | 24 |
| FUEL LINES | 9 | MAIN CONTROL PANEL | 25 |
| ENCLOSURE FRAME | 10 | MAIN BREAKER AND CONTROL BOX | 26 |
| ENCLOSURE FRAME | 11 | MAIN BREAKER AND CONTROL BOX | 27 |
| FRONT ENCLOSURE | 12 | POWER OUTPUT TERMINALS | 28 |
| FRONT ENCLOSURE | 13 | POWER OUTPUT TERMINALS | 29 |
| BASE, FRAME | 14 | LABELS | 30 |
| BASE, FRAME | 15 | LABELS | 31 |
| RIGHT ENCLOSURE | 16 | | |
| RIGHT ENCLOSURE | 17 | | |

RADIATOR ASSEMBLY

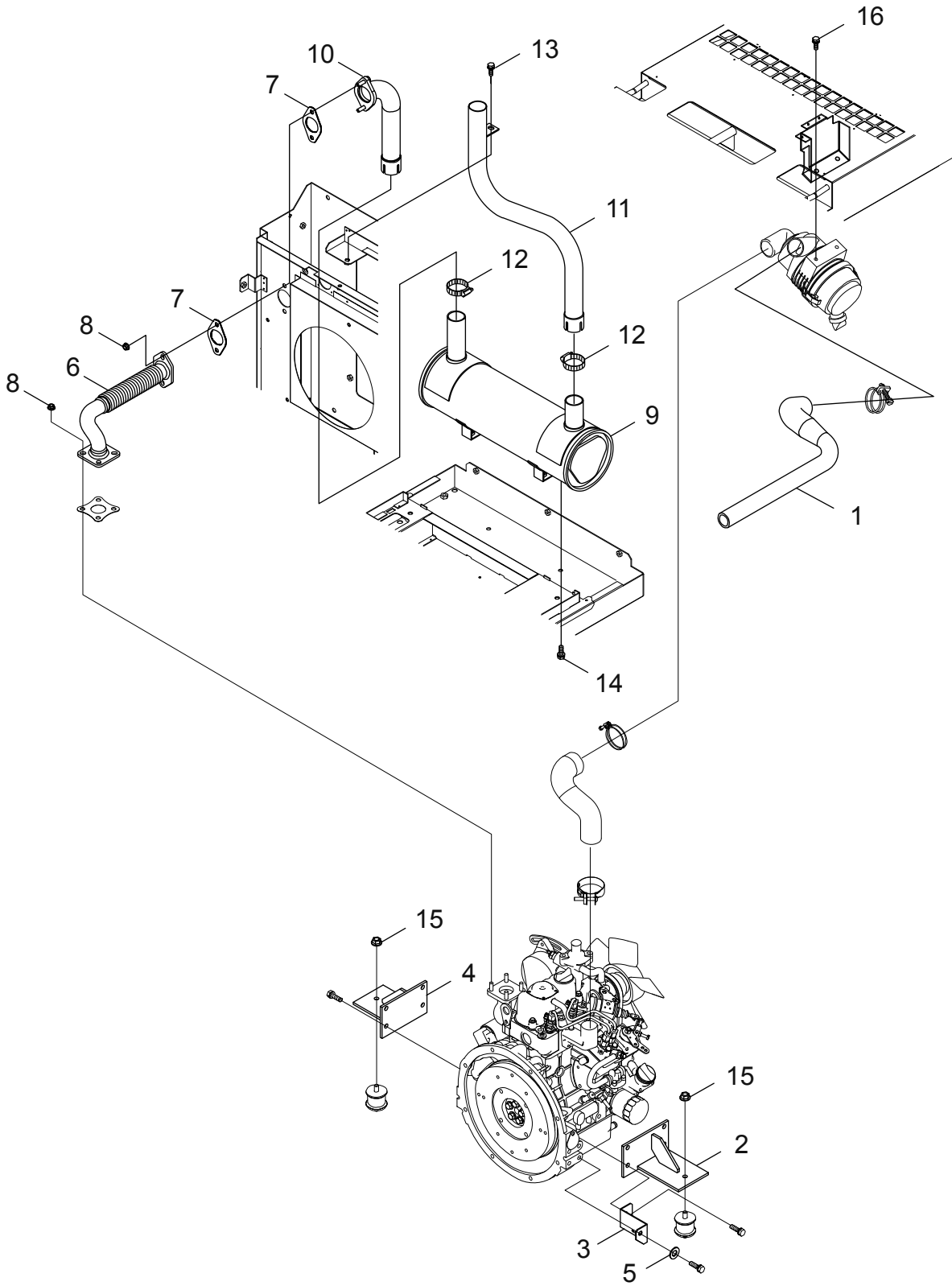


+ Denotes item is part of an assembly
++ Denotes item is part of a sub-assembly

RADIATOR ASSEMBLY

| NO. | PART NUMBER | QTY. | DESCRIPTION |
|-----|-------------|------|---------------|
| 1 | G203000570 | 1 | RADIATOR HOSE |
| 2 | V475007860 | 1 | TUBE |
| 3 | 9103606020 | 2 | BOLT SW |
| 4 | V204001720 | 2 | BOLT,6 |
| 5 | V542000040 | 1 | SEAL |
| 6 | V542000090 | 1 | SEAL |
| 7 | V205001340 | 2 | BOLT,8 |
| 8 | V476001170 | 1 | TUBE |
| 9 | 966170440 | 1 | FUEL TUBE |
| 10 | V476000270 | 1 | TUBE |
| 11 | 966170260 | 1 | TUBE, FUEL |
| 12 | V476001320 | 1 | TUBE |
| 13 | 966170180 | 1 | TUBE, FUEL |
| 14 | 966170460 | 1 | FUEL TUBE |

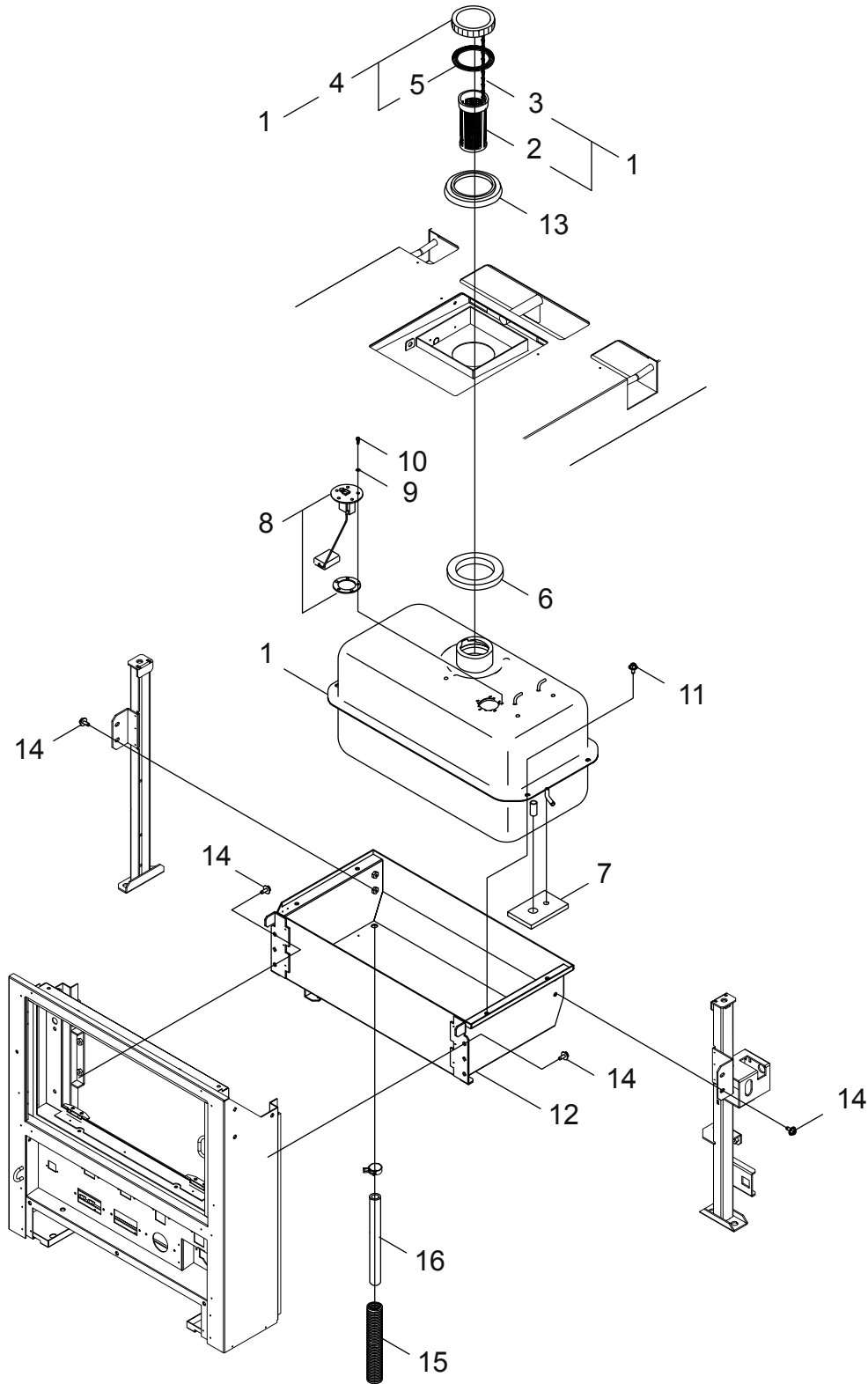
AIR AND MUFFLER ASSEMBLY



AIR AND MUFFLER ASSEMBLY

| NO. | PART NUMBER | QTY. | DESCRIPTION |
|-----|-------------|------|----------------|
| 1 | G213000630 | 1 | HOSE,AIR |
| 2 | G121000680 | 1 | STAY,ENGINE |
| 3 | C527001430 | 1 | STAY |
| 4 | G121000690 | 1 | STAY,ENGINE |
| 5 | 90061700010 | 1 | WASHER, PB-400 |
| 6 | G231001130 | 1 | PIPE,EXHAUST |
| 7 | V104001740 | 2 | GASKET |
| 8 | V265000290 | 6 | FLANGE NUT |
| 9 | A300001430 | 1 | MUFFLER |
| 10 | G231001140 | 1 | PIPE,EXHAUST |
| 11 | G231000850 | 1 | PIPE,EXHAUST |
| 12 | V495002100 | 2 | CLAMP |
| 13 | V205001340 | 1 | BOLT,8 |
| 14 | V205001170 | 4 | BOLT,8 |
| 15 | V266000130 | 2 | FLANGE NUT |
| 16 | V205001170 | 2 | BOLT,8 |

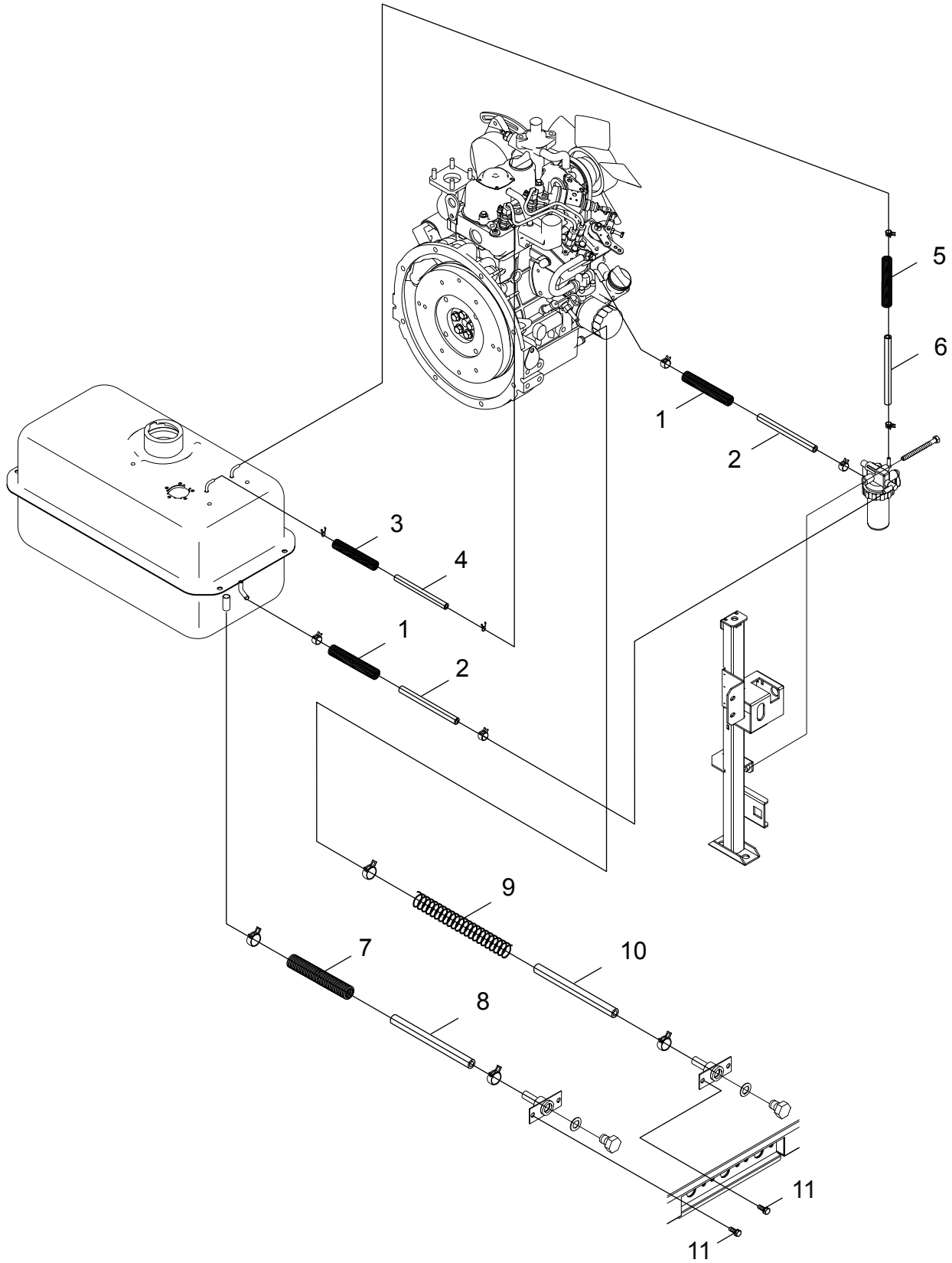
FUEL TANK, OIL CONTAINMENT



FUEL TANK, OIL CONTAINMENT

| NO. | PART NUMBER | QTY. | DESCRIPTION | |
|-----|-------------|------|--------------|--------------------|
| 1 | G250001120 | 1 | TANK,FUEL | Includes Items 2-5 |
| 2 | A369000180 | 1 | +STRAINER | |
| 3 | V489000120 | 1 | +CHAIN | |
| 4 | G255000110 | 1 | +TANK CAP | Includes Item 5 |
| 5 | V107000140 | 1 | ++PACKING | |
| 6 | V540000360 | 1 | SHEET | |
| 7 | V542000100 | 1 | SEAL | |
| 8 | E325000100 | 1 | FUEL GAUGE | |
| 9 | V500000020 | 5 | SEAL WASHER | |
| 10 | 9146305012 | 5 | SCREW TRUSS | |
| 11 | V204001720 | 4 | BOLT,6 | |
| 12 | G126000620 | 1 | BRACKET,TANK | |
| 13 | V145000510 | 1 | TANK BUSH | |
| 14 | V204001720 | 8 | BOLT,6 | |
| 15 | V475007230 | 1 | TUBE | |
| 16 | 1259733770 | 1 | TUBE | |

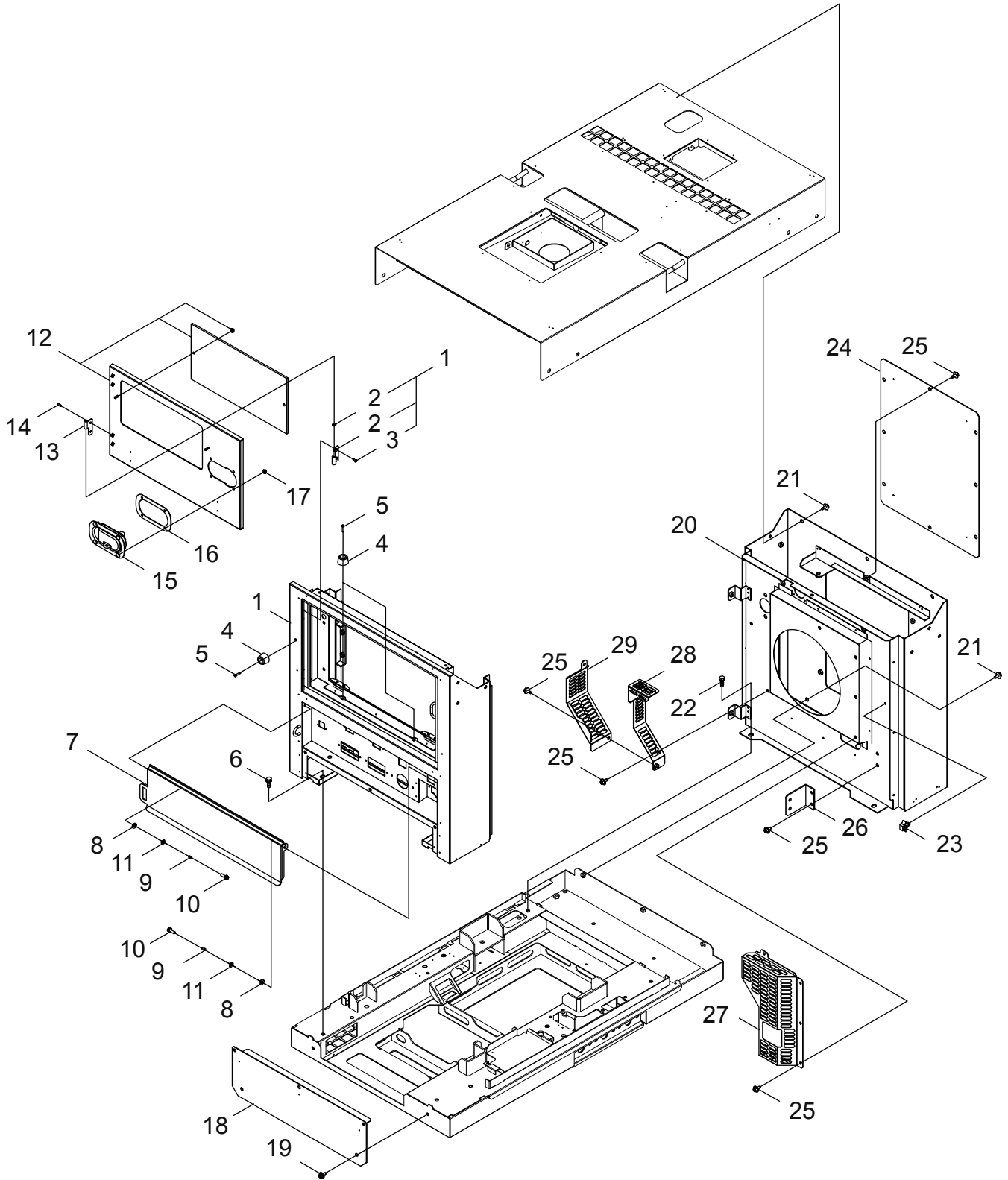
FUEL LINES



FUEL LINES

| NO. | PART NUMBER | QTY. | DESCRIPTION | |
|-----|-------------|------|---------------------|--|
| 1 | V476001190 | 2 | TUBE | |
| 2 | 966170280 | 2 | FUEL TUBE | |
| 3 | V476001140 | 1 | TUBE | |
| 4 | 966140480 | 1 | TUBE,FUEL | |
| 5 | V476001180 | 1 | TUBE | |
| 6 | 966140525 | 1 | TUBE,FUEL | |
| 7 | V476000280 | 1 | TUBE | |
| 8 | 1722433210 | 1 | PIPE | |
| 9 | 1714733390 | 1 | SPRING,OIL PIPE P/T | |
| 10 | 1714733210 | 1 | HOSE | |
| 11 | V205001340 | 4 | BOLT,8 | |

ENCLOSURE FRAME

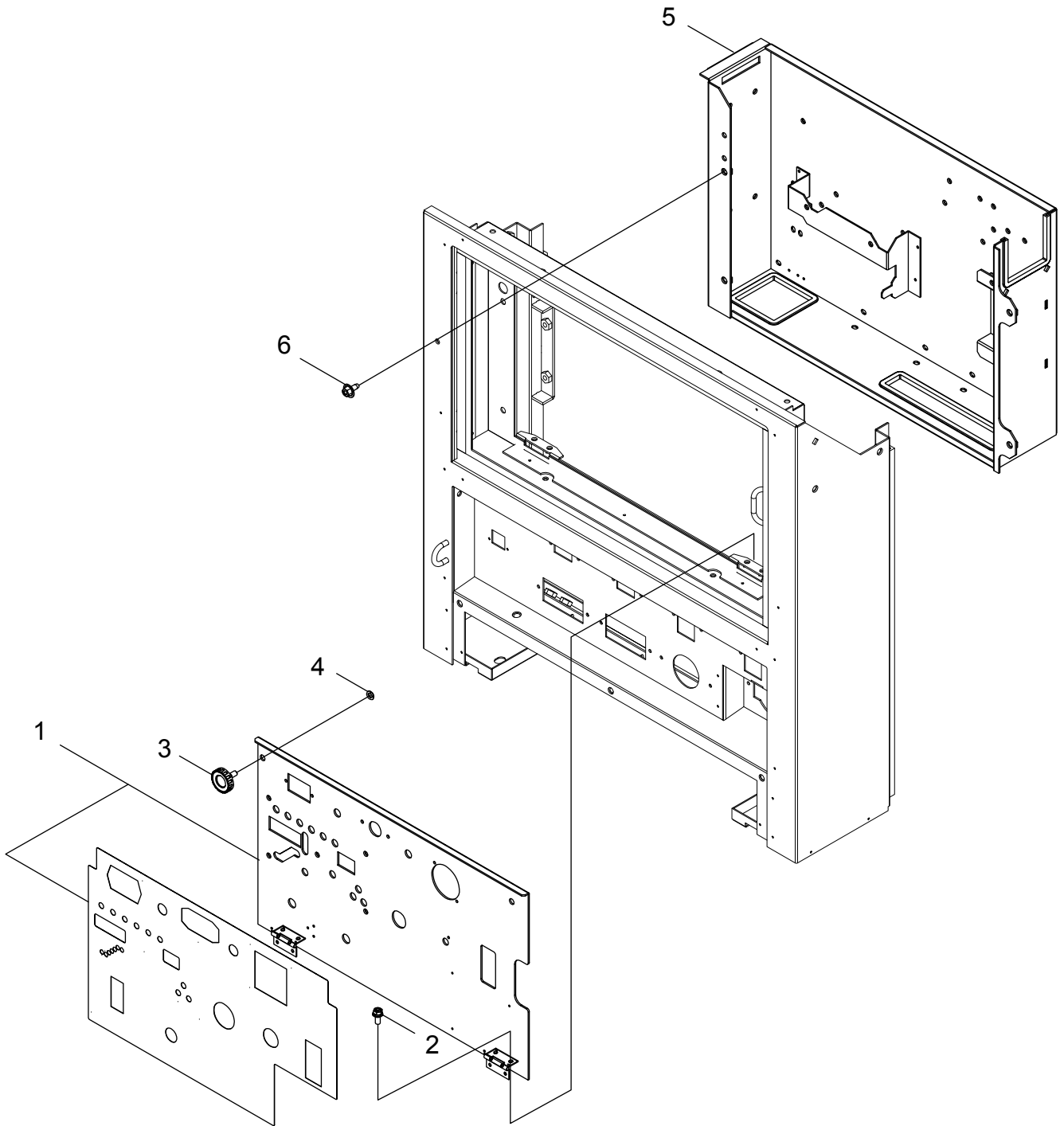


+ Denotes item is part of an assembly
 ++ Denotes item is part of a sub-assembly

ENCLOSURE FRAME

| NO. | PART NUMBER | QTY. | DESCRIPTION | |
|-----|-------------|------|----------------|--------------------|
| 1 | J495000681 | 1 | BONNET | Includes Items 2-3 |
| 2 | J485000630 | 2 | +HINGE | |
| 3 | 9149104010 | 4 | +SCREW TAPPING | |
| 4 | V420003070 | 3 | STAND RUBBER | |
| 5 | 9138104020 | 3 | SCREW TAPPING | |
| 6 | V205001170 | 4 | BOLT,8 | |
| 7 | M470003480 | 1 | COVER | |
| 8 | V420003160 | 2 | BUSH RUBBER | |
| 9 | V375000480 | 2 | COLLAR | |
| 10 | 9103606020 | 2 | BOLT SW | |
| 11 | 90060200008 | 2 | WASHER 8 | |
| 12 | M040000630 | 1 | FRONT DOOR,ASM | |
| 13 | J485000600 | 2 | HINGE | |
| 14 | 9149104010 | 4 | SCREW TAPPING | |
| 15 | C701000420 | 1 | LOCK COVER | |
| 16 | V542000120 | 1 | SEAL | |
| 17 | V264000220 | 4 | FLANGE NUT | |
| 18 | J500002030 | 1 | PANEL | |
| 19 | V204001720 | 5 | BOLT,6 | |
| 20 | J495000640 | 1 | BONNET | |
| 21 | V204001720 | 6 | BOLT,6 | |
| 22 | V205001170 | 2 | BOLT,8 | |
| 23 | M416000070 | 1 | STOPPER,BAND | |
| 24 | J500001500 | 1 | PANEL | |
| 25 | V204001720 | 18 | BOLT,6 | |
| 26 | C527001470 | 1 | STAY | |
| 27 | J447001460 | 1 | GUARD | |
| 28 | A172003040 | 1 | COVER,FAN | |
| 29 | A172003050 | 1 | COVER,FAN | |

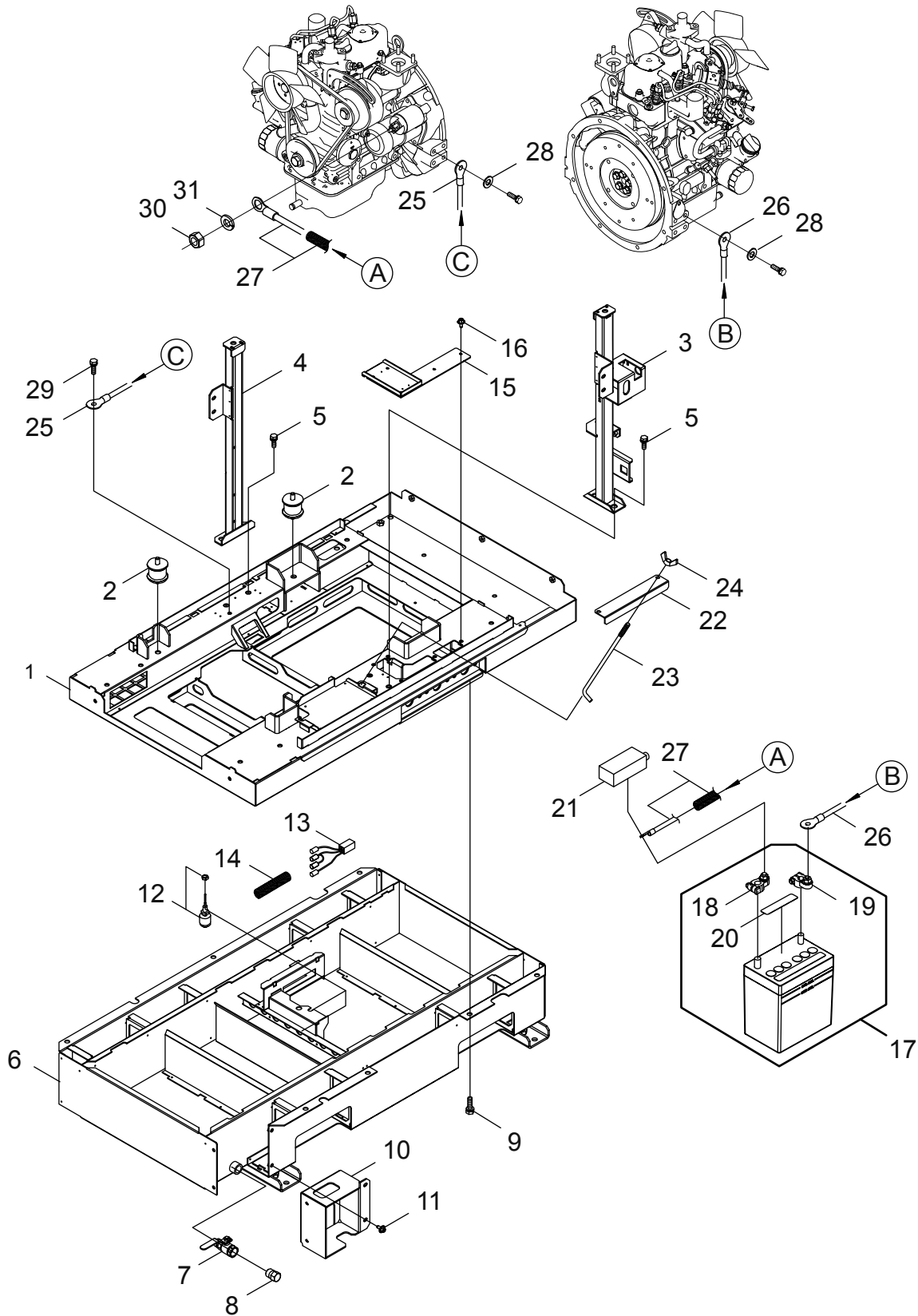
FRONT ENCLOSURE



FRONT ENCLOSURE

| NO. | PART NUMBER | QTY. | DESCRIPTION | |
|-----|-------------|------|-----------------|--|
| 1 | C160002010 | 1 | PANEL,OPERATION | |
| 2 | 9103604012 | 4 | BOLT | |
| 3 | V299000480 | 2 | KNOB COMP | |
| 4 | V324000010 | 2 | WASHER | |
| 5 | J430001590 | 1 | BOX,CONTROL | |
| 6 | V204001720 | 3 | BOLT,6 | |

BASE, FRAME

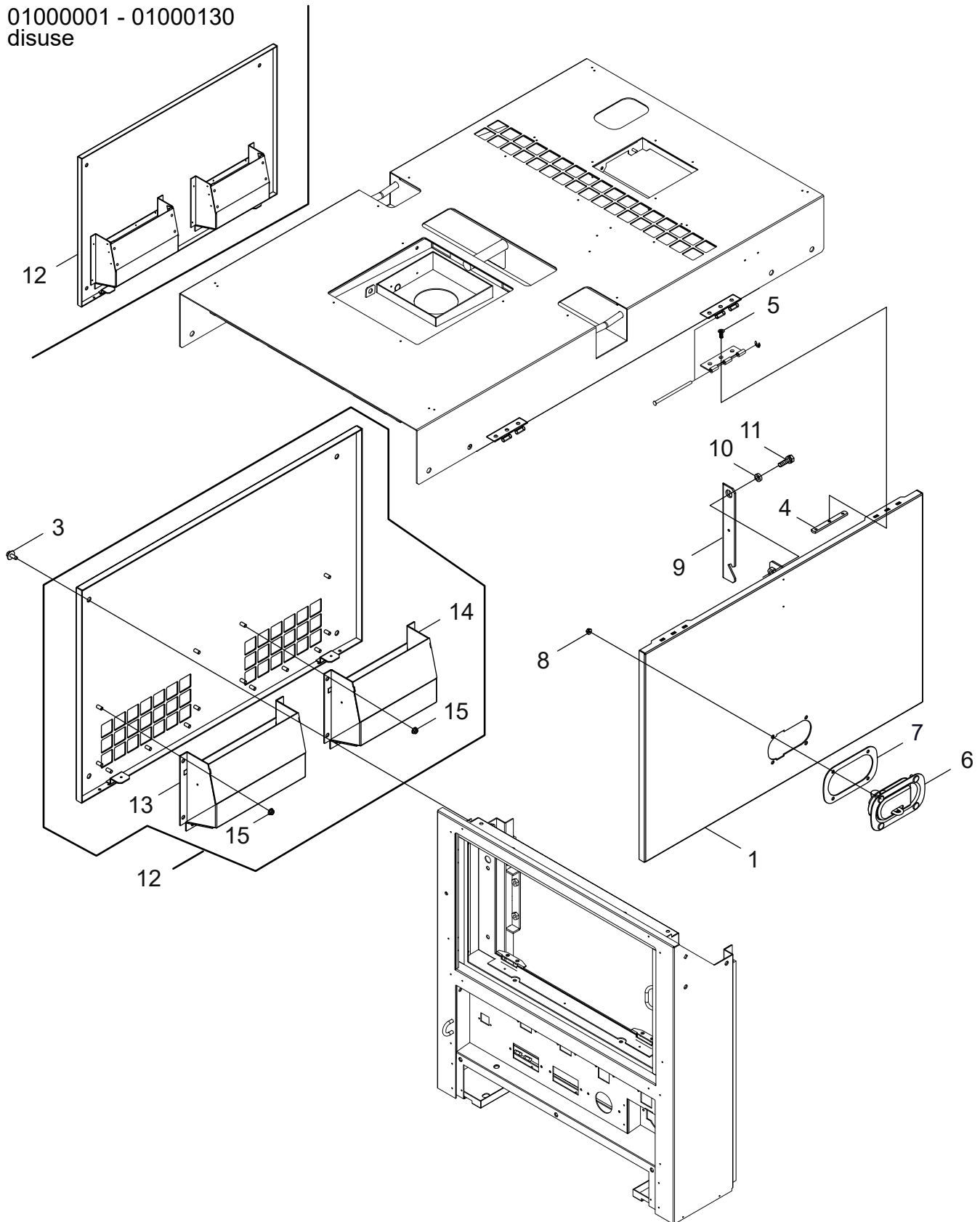


BASE, FRAME

| NO. | PART NUMBER | QTY. | DESCRIPTION | |
|-----|-------------------|----------|----------------------|-----------------------------|
| 1 | J404001140 | 1 | FRAME | |
| 2 | V425000400 | 4 | CUSHION | |
| 3 | J415001030 | 1 | STAY,BONNET | |
| 4 | J415001040 | 1 | STAY,BONNET | |
| 5 | V206000590 | 4 | BOLT,10 | |
| 6 | J447001830 | 1 | GUARD | |
| 7 | E265000310 | 1 | VALVE | |
| 8 | E328000330 | 1 | PLUG,DRAIN | |
| 9 | V205001340 | 7 | BOLT,8 | |
| 10 | J447001450 | 1 | GUARD | |
| 11 | V204001720 | 4 | BOLT,6 | |
| 12 | G334001080 | 2 | SWITCH | |
| 13 | G362001100 | 1 | HARNESS,WIRE | |
| 14 | V475008430 | 1 | TUBE | |
| 15 | C603000980 | 1 | PLATE,SIDE | |
| 16 | V204001720 | 5 | BOLT,6 | |
| 17 | V046000230 | 1 | BATTERY,ASM | Includes Items 18-20 |
| 18 | G304000020 | 1 | +TERMINAL - POSITIVE | |
| 19 | G304000030 | 1 | +TERMINAL - NEGATIVE | |
| 20 | X505010410 | 1 | +LABEL,CAUTION | |
| 21 | G305000030 | 1 | TERMINAL CAP | |
| 22 | G303000510 | 1 | HOLDER,BATTERY | |
| 23 | V240000150 | 2 | BOLT, BATTERY | |
| 24 | 9219008000 | 2 | WING NUT | |
| 25 | M386000000 | 1 | LEAD | |
| 26 | M384000700 | 1 | LEAD | |
| 27 | M380000170 | 1 | LEAD WIRE | |
| 28 | 90061700010 | 2 | WASHER, PB-400 | |
| 29 | V204001720 | 1 | BOLT,6 | |
| 30 | 90050000008 | 1 | NUT M8 | |
| 31 | 90060500008 | 1 | WASHER,SPRING 8 | |

RIGHT ENCLOSURE

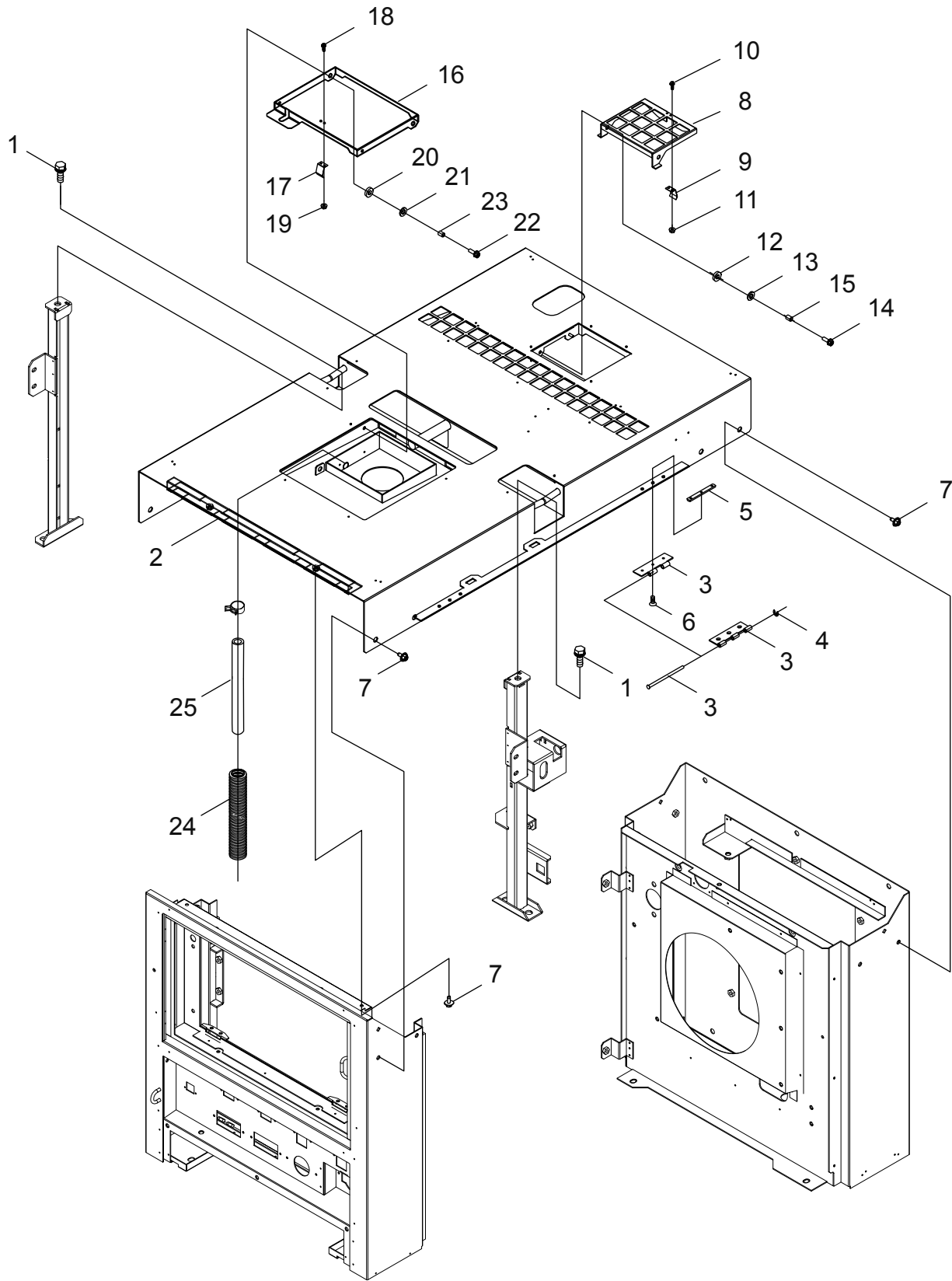
01000001 - 01000130
disuse



RIGHT ENCLOSURE

| NO. | PART NUMBER | QTY. | DESCRIPTION | |
|-----------|-------------------|----------|---------------|-----------------------------|
| 1 | M407000440 | 1 | DOOR,RIGHT | |
| 3 | V204001720 | 4 | BOLT,6 | |
| 4 | V150002620 | 2 | TAPPING PLATE | |
| 5 | 90021204010 | 6 | SCREW 4x10 | |
| 6 | C701000420 | 1 | LOCK COVER | |
| 7 | V542000120 | 1 | SEAL | |
| 8 | V264000220 | 4 | FLANGE NUT | |
| 9 | G257000990 | 1 | STOPPER | |
| 10 | V375000460 | 1 | COLLAR | |
| 11 | V205001170 | 1 | BOLT,8 | |
| 12 | J500002020 | 1 | PANEL | |
| 12 | J500003190 | 1 | PANEL | Includes Items 13-15 |
| 13 | G128001760 | 1 | +DUCT,AIR | |
| 14 | G128001800 | 1 | +DUCT,AIR | |
| 15 | V264000220 | 14 | +FLANGE NUT | |

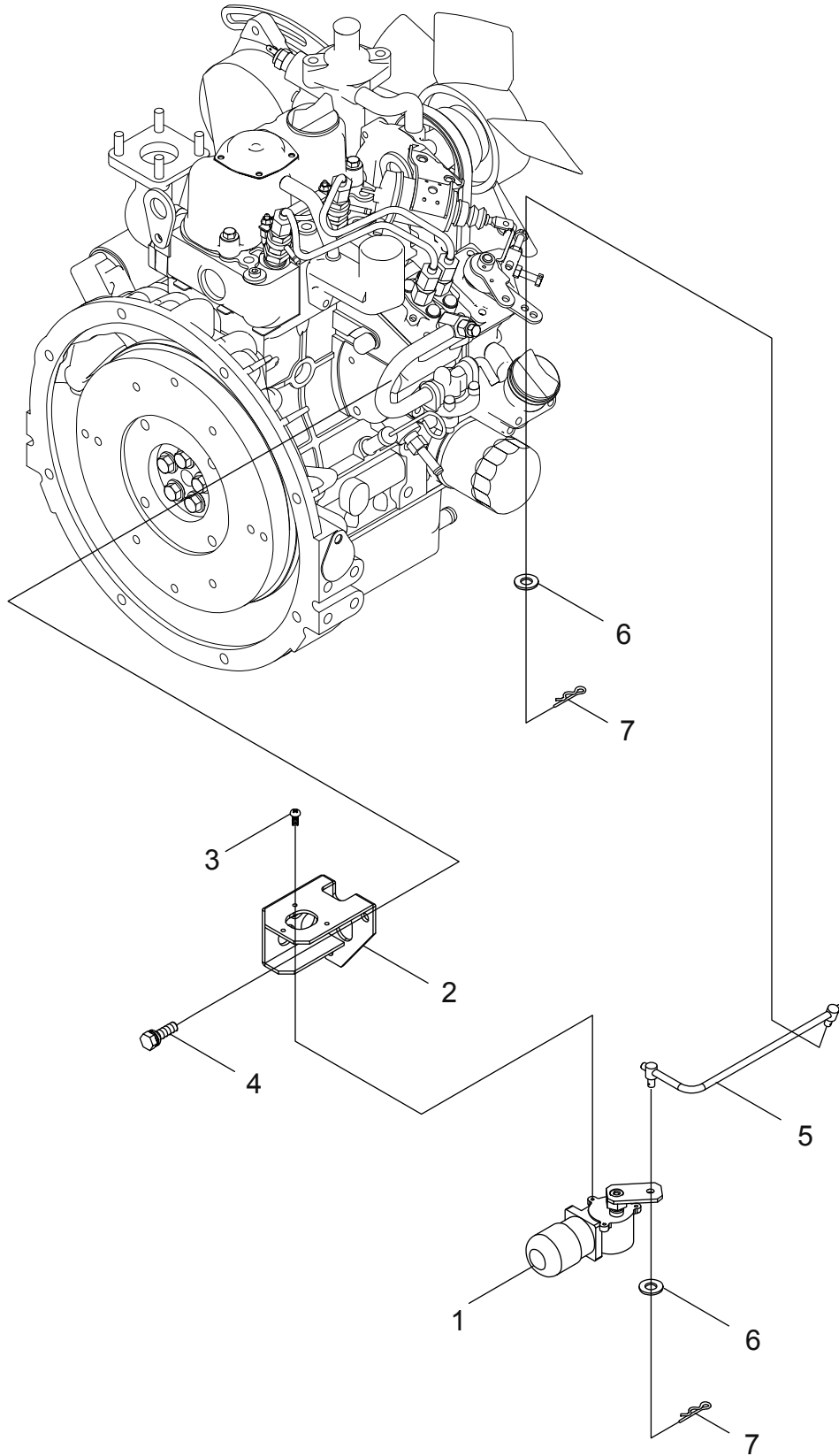
TOP ENCLOSURE



TOP ENCLOSURE

| NO. | PART NUMBER | QTY. | DESCRIPTION | |
|----------|-------------------|----------|----------------|---------------------------|
| 1 | V206000720 | 2 | BOLT,10 | |
| 2 | J495000660 | 1 | BONNET | Includes Items 3-6 |
| 3 | J485000610 | 2 | +HINGE | |
| 4 | 90070300004 | 2 | +E-RING 4 SUS | |
| 5 | V150002620 | 2 | +TAPPING PLATE | |
| 6 | 90021204010 | 6 | +SCREW 4x10 | |
| 7 | V204001720 | 11 | BOLT,6 | |
| 8 | J480001740 | 1 | LID,COVER | |
| 9 | C390000010 | 1 | TONGUE | |
| 10 | 9156403012 | 2 | SCREW SW | |
| 11 | V261000010 | 2 | FLANGE NUT | |
| 12 | V420003160 | 2 | BUSH RUBBER | |
| 13 | 90060200008 | 2 | WASHER 8 | |
| 14 | 9103606020 | 2 | BOLT SW | |
| 15 | V375000480 | 2 | COLLAR | |
| 16 | A354000100 | 1 | LID,FUEL TANK | |
| 17 | C390000010 | 1 | TONGUE | |
| 18 | 9156403012 | 2 | SCREW SW | |
| 19 | V261000010 | 2 | FLANGE NUT | |
| 20 | V420003160 | 2 | BUSH RUBBER | |
| 21 | 90060200008 | 2 | WASHER 8 | |
| 22 | 9103606020 | 2 | BOLT SW | |
| 23 | V375000480 | 2 | COLLAR | |
| 24 | V475007240 | 1 | TUBE | |
| 25 | 1K36233210 | 1 | PIPE | |

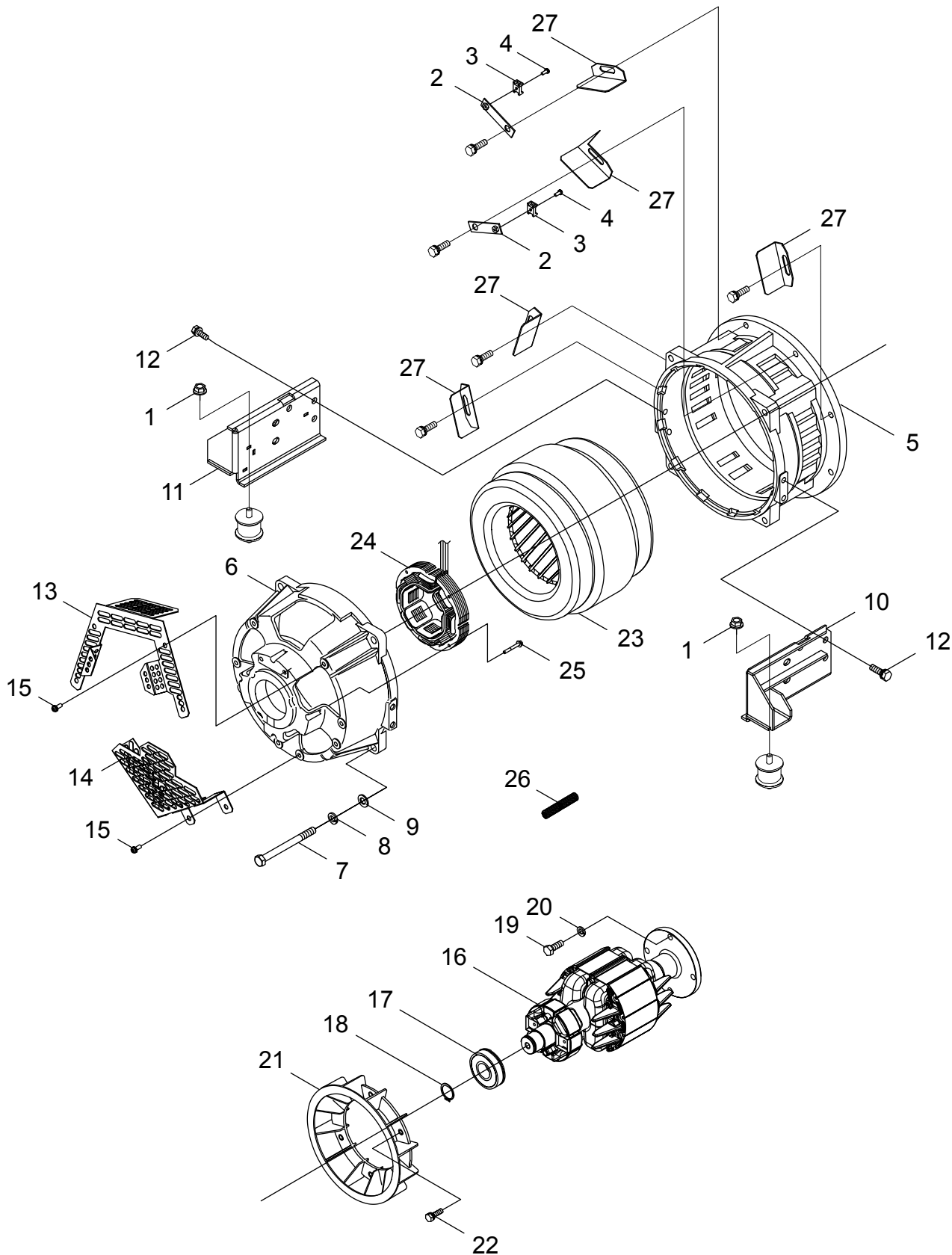
ENGINE PARTS



ENGINE PARTS

| NO. | PART NUMBER | QTY. | DESCRIPTION | |
|-----|-------------|------|--------------|--|
| 1 | G280000180 | 1 | MOTOR COMP | |
| 2 | C527001460 | 1 | STAY | |
| 3 | 9156403012 | 3 | SCREW SW | |
| 4 | V205001170 | 2 | BOLT,8 | |
| 5 | C454000550 | 1 | ROD,THROTTLE | |
| 6 | 90060200006 | 2 | WASHER 6 | |
| 7 | 9300306000 | 2 | SNAP PIN | |

ALTERNATOR

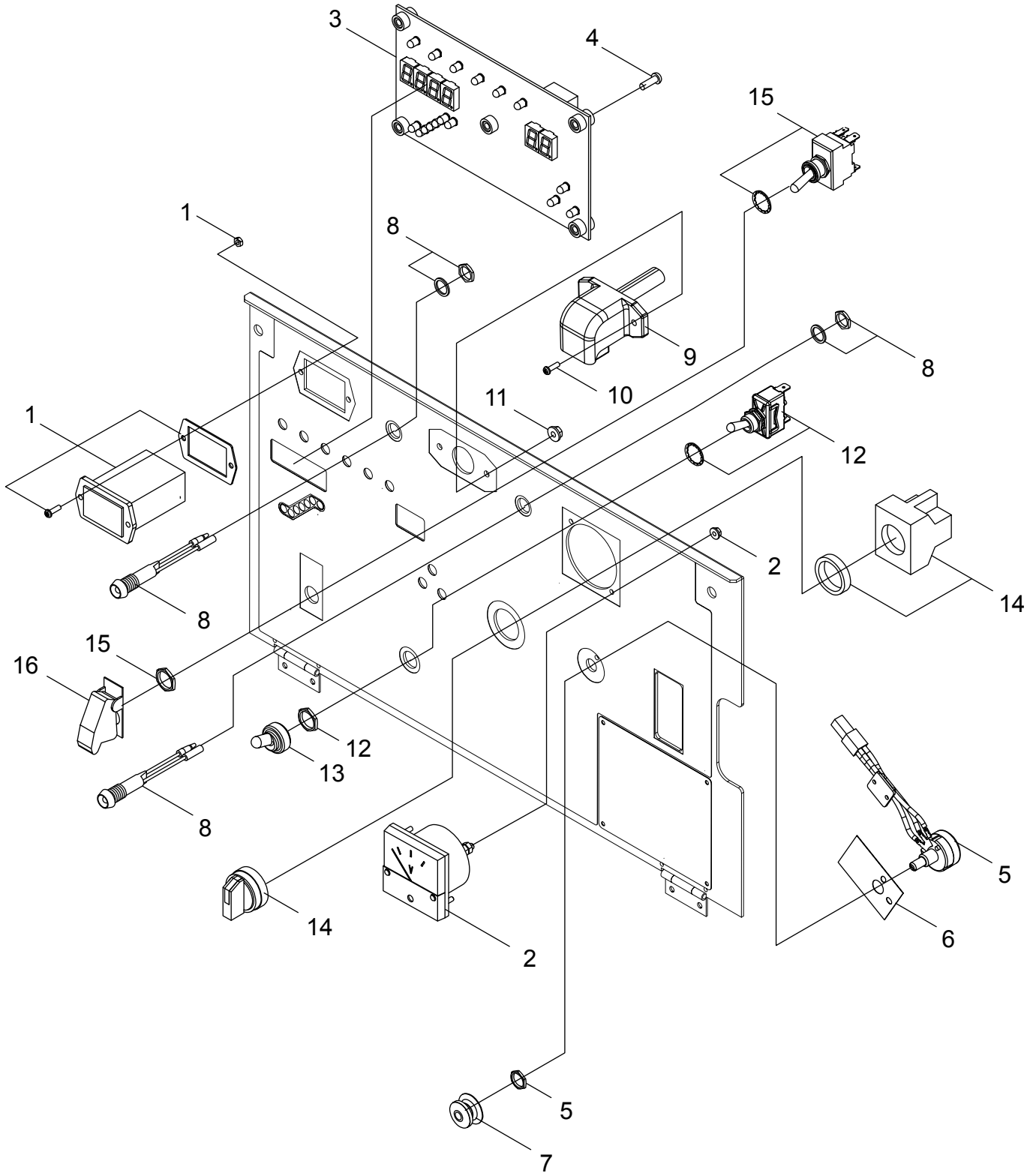


+ Denotes item is part of an assembly
 ++ Denotes item is part of a sub-assembly

ALTERNATOR

| NO. | PART NUMBER | QTY. | DESCRIPTION |
|-----|-------------|------|------------------|
| 1 | V266000130 | 2 | FLANGE NUT |
| 2 | C519002460 | 2 | STAY |
| 3 | M416000010 | 2 | TIE MOUNT |
| 4 | 9134305012 | 2 | SCREW |
| 5 | M305000080 | 1 | FRONT BRACKET |
| 6 | M305000090 | 1 | REAR BRACKET |
| 7 | V207000300 | 4 | BOLT,12 |
| 8 | 90060500012 | 4 | SPRING WASHER |
| 9 | 90061700012 | 4 | WASHER, 12 |
| 10 | C527001440 | 1 | STAY |
| 11 | C527001450 | 1 | STAY |
| 12 | 9102410030 | 8 | BOLT SPW |
| 13 | J447001350 | 1 | GUARD |
| 14 | J447001360 | 1 | GUARD |
| 15 | 9156406016 | 8 | SCREW SW |
| 16 | M102000831 | 1 | ROTOR |
| 17 | V592000200 | 1 | BEARING,BALL |
| 18 | 9242334000 | 1 | SNAP RING |
| 19 | 9101410030 | 4 | BOLT |
| 20 | 90060500010 | 4 | WASHER,SPRING 10 |
| 21 | A171000091 | 1 | FAN,COOLING |
| 22 | 90014708025 | 6 | BOLT, 8*25 |
| 23 | M106001420 | 1 | STATOR |
| 24 | M106001270 | 1 | STATOR |
| 25 | 9102405040 | 4 | BOLT |
| 26 | V476001230 | 1 | TUBE |
| 27 | A565000200 | 5 | PLATE,SEAL |

MAIN CONTROL PANEL

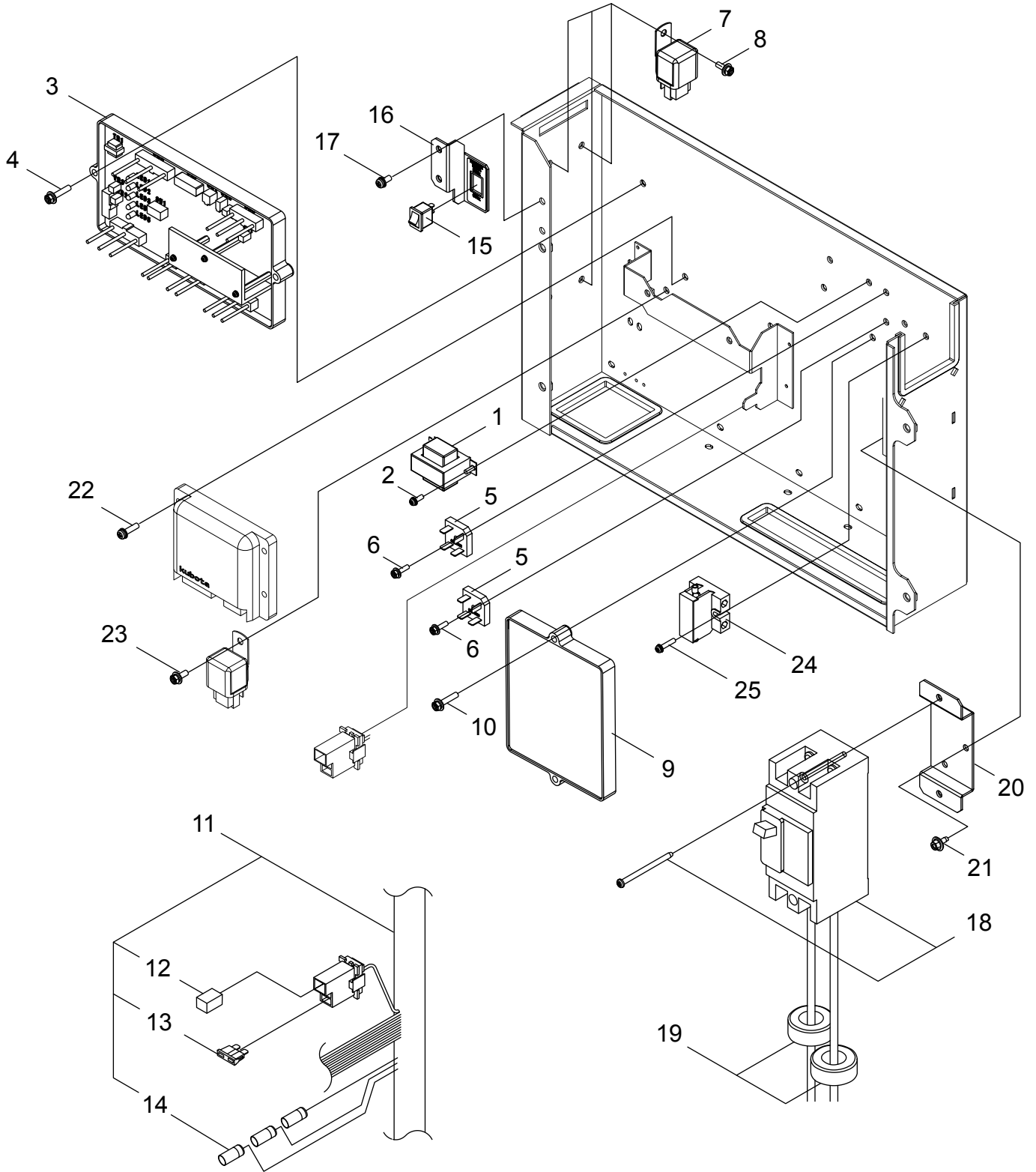


+ Denotes item is part of an assembly
 ++ Denotes item is part of a sub-assembly

MAIN CONTROL PANEL

| NO. | PART NUMBER | QTY. | DESCRIPTION |
|-----|-------------|------|-------------------|
| 1 | G319000060 | 1 | HOUR METER |
| 2 | M109000100 | 1 | METER |
| 3 | G370002531 | 1 | UNIT,CONTROL |
| 4 | 9146104012 | 5 | SCREW |
| 5 | M112000160 | 1 | VOLUME |
| 6 | M702000050 | 1 | INS PAPER |
| 7 | E145000060 | 1 | DIAL |
| 8 | G327000700 | 2 | LAMP,PILOT |
| 9 | G327000400 | 1 | LAMP,PILOT |
| 10 | 90023804016 | 2 | SCREW 4×16 |
| 11 | V262000190 | 2 | FLANGE NUT |
| 12 | A440001970 | 1 | SWITCH,ON OFF |
| 13 | V494000910 | 1 | CAP |
| 14 | G334002060 | 1 | SWITCH |
| 15 | G334001960 | 1 | SWITCH |
| 16 | A447000140 | 1 | COVER,SWITCH KNOB |

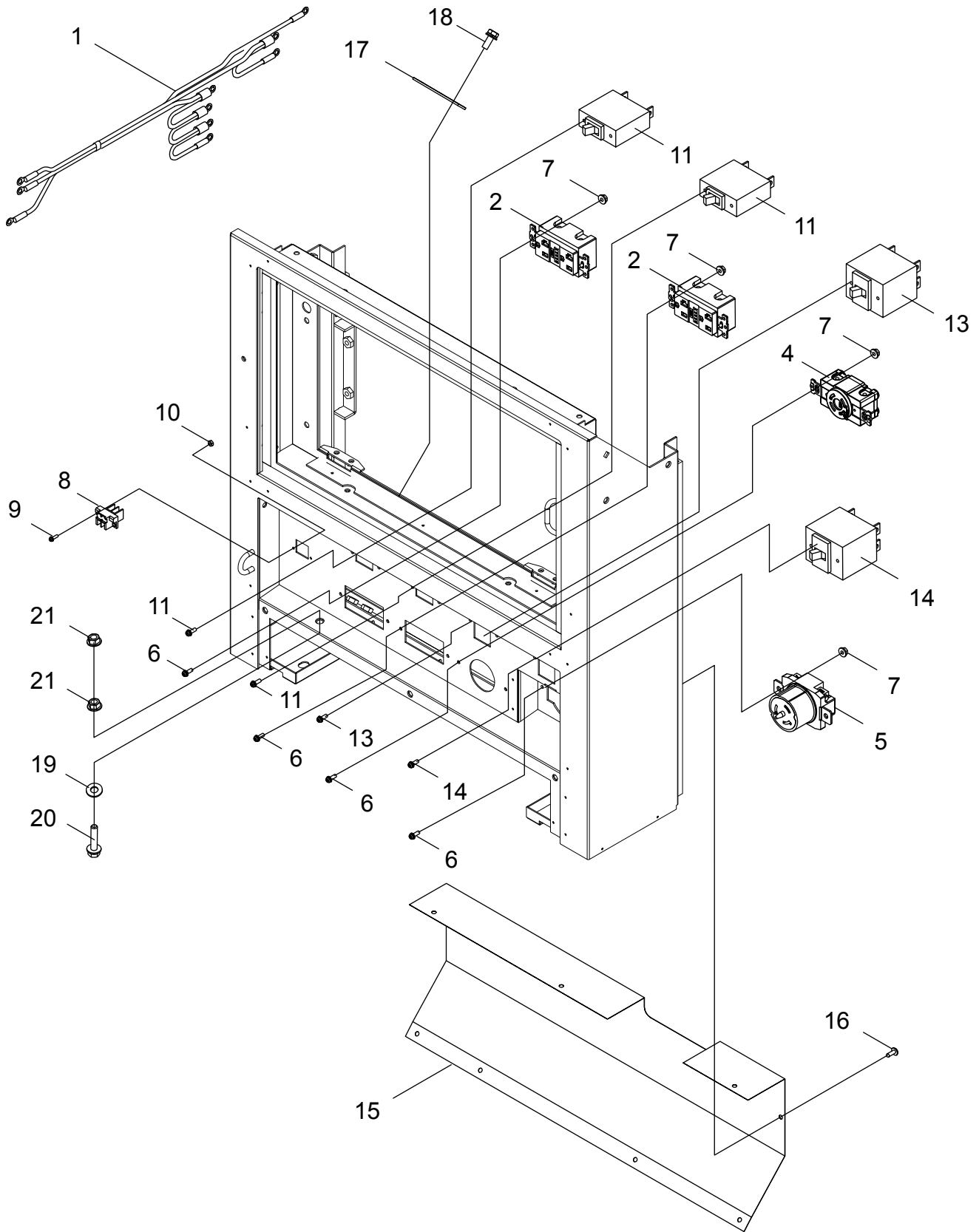
MAIN BREAKER AND CONTROL BOX



MAIN BREAKER AND CONTROL BOX

| NO. | PART NUMBER | QTY. | DESCRIPTION | |
|-----|-------------------|----------|---------------------|-----------------------------|
| 1 | C163000040 | 1 | TRANS | |
| 2 | 9156404012 | 2 | SCREW SW | |
| 3 | G370002172 | 1 | UNIT,CONTROL | |
| 4 | 9103605025 | 2 | BOLT SW | |
| 5 | M105000000 | 2 | RECTIFIER | |
| 6 | 9103604016 | 2 | BOLT | |
| 7 | G370000470 | 3 | PRINT CIRCUIT | |
| 8 | 9103705014 | 3 | BOLT | |
| 9 | G370002541 | 1 | UNIT,CONTROL | |
| 10 | 9103605025 | 2 | BOLT SW | |
| 11 | G362001342 | 1 | HARNESS,WIRE | Includes Items 12-14 |
| 12 | G350000540 | 1 | +FUSE | |
| 13 | G350000520 | 1 | +FUSE | |
| 14 | G347000020 | 3 | +DIODE | |
| 15 | A440002650 | 1 | SWITCH,ON OFF | |
| 16 | C527001610 | 1 | STAY | |
| 17 | 9156405012 | 2 | SCREW SW | |
| 18 | M111001550 | 1 | BREAKER | |
| 19 | M108000190 | 2 | CT,ASM | |
| 20 | C527002060 | 1 | STAY | |
| 21 | V204001720 | 3 | BOLT,6 | |
| 22 | 9156405020 | 4 | SCREW SW | |
| 23 | 9156405012 | 1 | SCREW SW | |
| 24 | M308000620 | 1 | BLOCK,TERMINAL | |
| 25 | 9156404016 | 2 | SCREW SPW | |

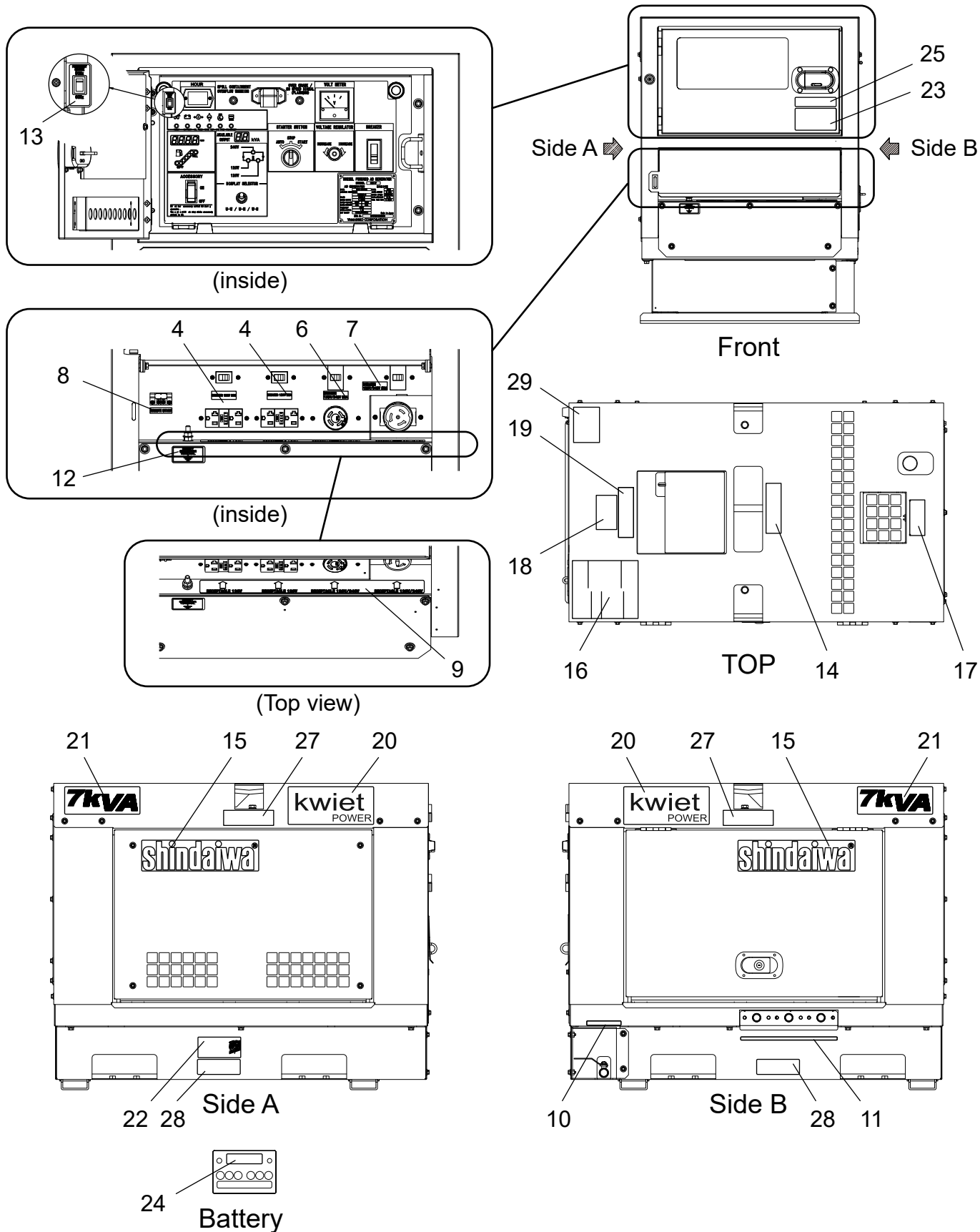
POWER OUTPUT TERMINALS



POWER OUTPUT TERMINALS

| NO. | PART NUMBER | QTY. | DESCRIPTION |
|-----|-------------|------|-------------------|
| 1 | G362001380 | 1 | HARNESS,WIRE |
| 2 | C154000491 | 2 | RECEPTACLE |
| 4 | C154000180 | 1 | SOCKET |
| 5 | C154000170 | 1 | PLUG SOCKET |
| 6 | 9156404012 | 8 | SCREW SW |
| 7 | V262000190 | 8 | FLANGE NUT |
| 8 | M308000680 | 1 | BLOCK,TERMINAL |
| 9 | 9156403012 | 2 | SCREW SW |
| 10 | V261000010 | 2 | FLANGE NUT |
| 11 | C137000080 | 2 | CIRCUIT PROTECTOR |
| 13 | C137000090 | 1 | CIRCUIT PROTECTOR |
| 14 | C137000070 | 1 | CIRCUIT PROTECTOR |
| 15 | C557000570 | 1 | PLATE,PROTECTION |
| 16 | V491000470 | 11 | CLIP |
| 17 | V150003140 | 1 | PLATE,EYE |
| 18 | V204001720 | 3 | BOLT,6 |
| 19 | 90060200008 | 1 | WASHER 8 |
| 20 | 9103408040 | 1 | BOLT SW |
| 21 | V265000450 | 2 | NUT,8 |

LABELS



LABELS

| NO. | PART NUMBER | QTY. | DESCRIPTION |
|-----|-------------|------|---------------|
| 4 | M704003250 | 2 | LABEL,INST |
| 6 | M704003280 | 1 | LABEL,INST |
| 7 | M704003290 | 1 | LABEL,INST |
| 8 | M704003260 | 1 | LABEL,INST |
| 9 | M704003240 | 1 | LABEL,INST |
| 10 | M707000580 | 1 | LABEL,INST |
| 11 | M704001520 | 1 | LABEL INST |
| 12 | M704001400 | 1 | LABEL INST |
| 13 | M707000430 | 1 | LABEL,INST |
| 14 | X505007550 | 1 | LABEL,CAUTION |
| 15 | X504006320 | 2 | LABEL,BRAND |
| 16 | X505010910 | 1 | LABEL,CAUTION |
| 17 | X505007840 | 1 | LABEL,CAUTION |
| 18 | X505008400 | 1 | LABEL,CAUTION |
| 19 | X505007650 | 1 | LABEL,CAUTION |
| 20 | M705001140 | 2 | LABEL,FEATURE |
| 21 | X524007140 | 2 | LABEL |
| 22 | M707001350 | 1 | LABEL,INST |
| 23 | X505010400 | 1 | LABEL,CAUTION |
| 24 | X505010410 | 1 | LABEL,CAUTION |
| 25 | X505010800 | 1 | LABEL,CAUTION |
| 27 | X505010920 | 2 | LABEL,CAUTION |
| 28 | X505010930 | 2 | LABEL,CAUTION |
| 29 | X505011430 | 1 | LABEL,CAUTION |