

DGK14F Generator



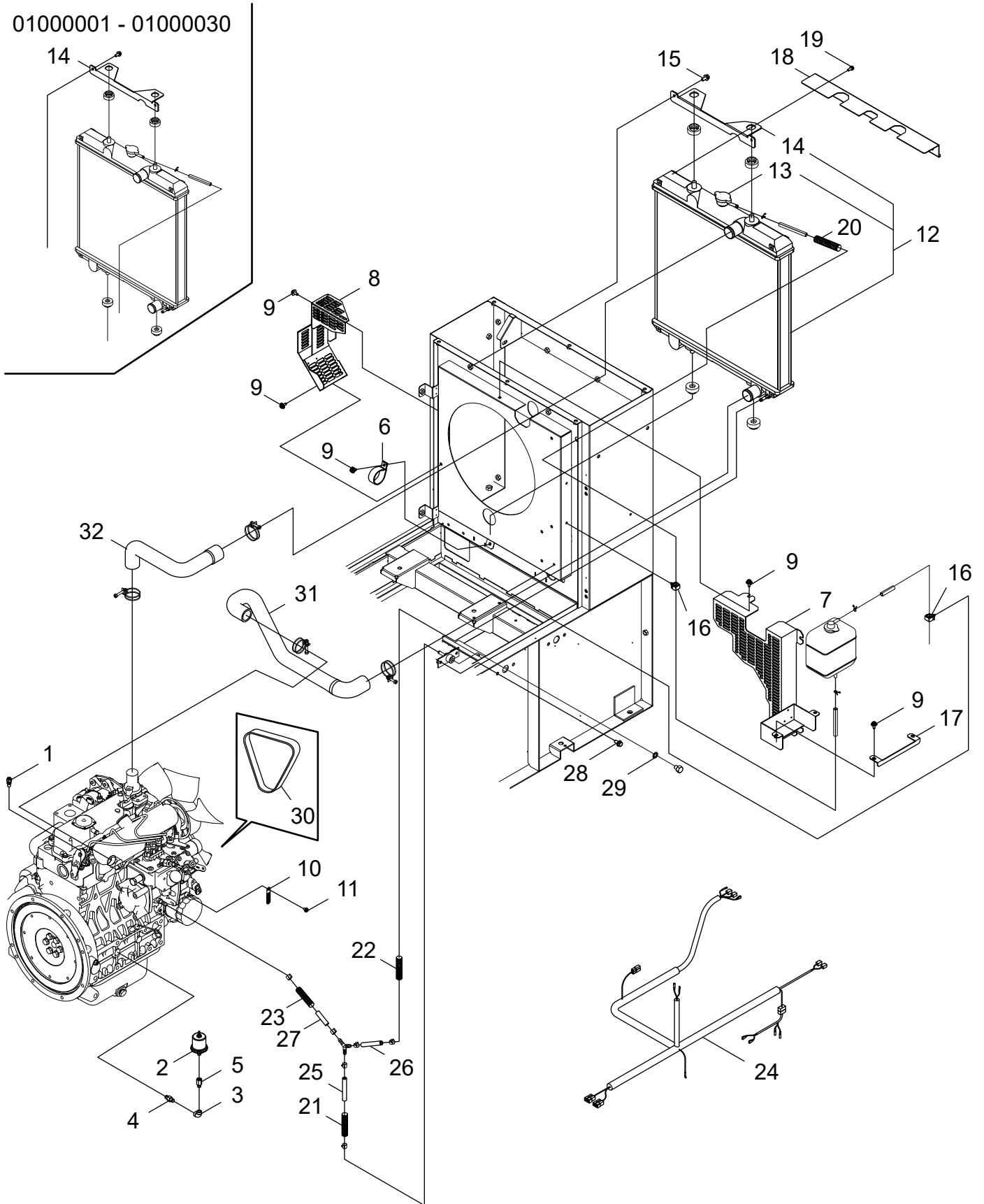
SERIAL NUMBERS

D18101000001 - D18101999999

RADIATOR ASSEMBLY	2	LEFT ENCLOSURE	18
RADIATOR ASSEMBLY	3	LEFT ENCLOSURE	19
AIR AND MUFFLER ASSEMBLY	4	RIGHT ENCLOSURE	20
AIR AND MUFFLER ASSEMBLY	5	RIGHT ENCLOSURE	21
FUEL TANK, OIL CONTAINMENT	6	TOP ENCLOSURE	22
FUEL TANK, OIL CONTAINMENT	7	TOP ENCLOSURE	23
FUEL LINES	8	ALTERNATOR	24
FUEL LINES	9	ALTERNATOR	25
OIL LINES	10	MAIN CONTROL PANEL	26
OIL LINES	11	MAIN CONTROL PANEL	27
ENCLOSURE FRAME	12	MAIN BREAKER AND CONTROL BOX	28
ENCLOSURE FRAME	13	MAIN BREAKER AND CONTROL BOX	29
FRONT ENCLOSURE	14	POWER OUTPUT TERMINAL	30
FRONT ENCLOSURE	15	POWER OUTPUT TERMINAL	31
BASE, FRAME	16	LABELS	32
BASE, FRAME	17	LABELS	33

RADIATOR ASSEMBLY

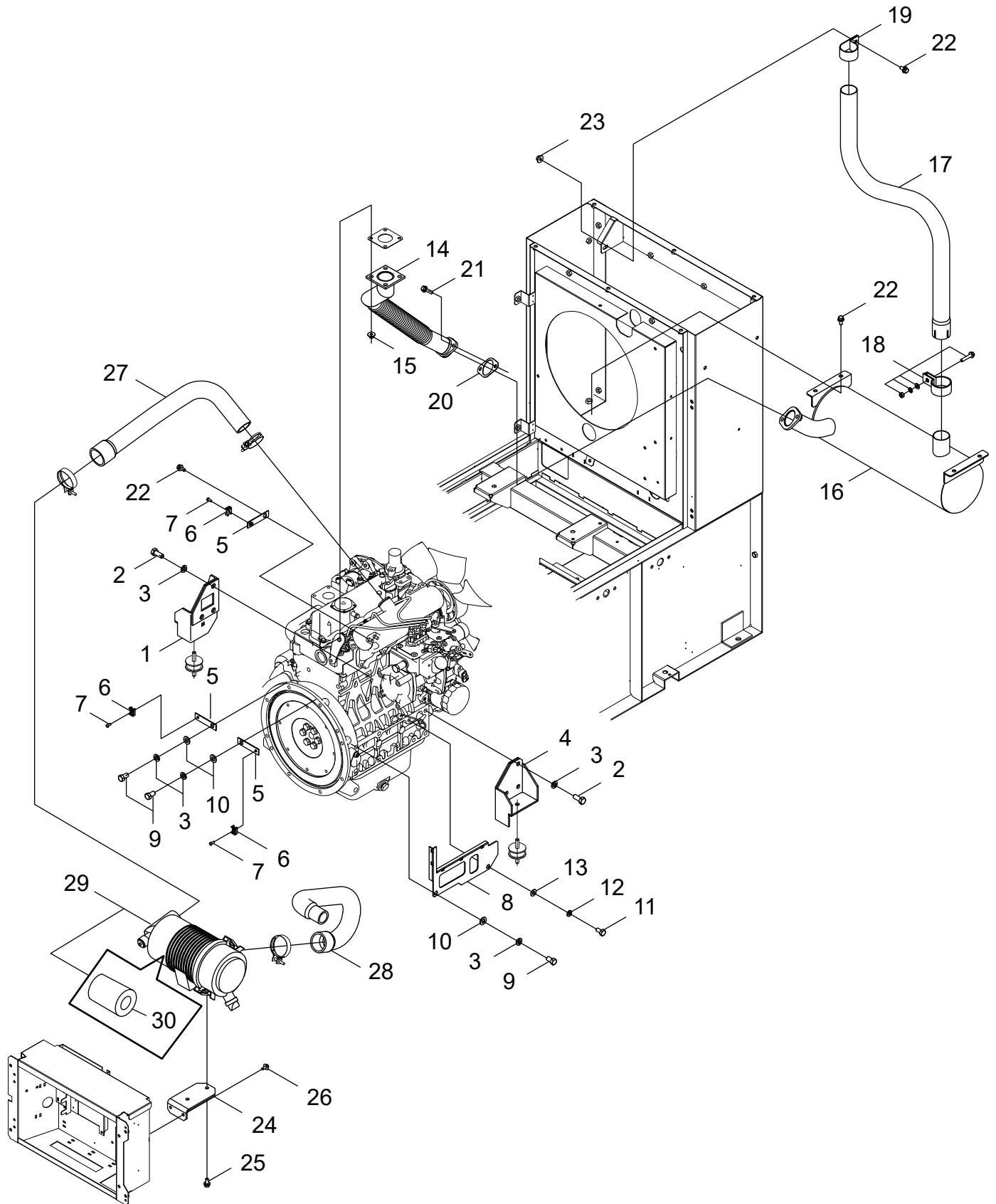
01000001 - 01000030



RADIATOR ASSEMBLY

NO.	PART NUMBER	QTY.	DESCRIPTION	
1	G365000040	1	GAUGE	
2	C100000440	1	SENSOR	
3	E237000280	1	ELBOW	
4	V187000370	1	NIPPLE	
5	K430000040	1	NIPPLE,MALE 1/8	
6	V490000820	1	CORD CLAMP	
7	A172001730	1	COVER,FAN	
8	A172002820	1	COVER,FAN	
9	V204001090	9	BOLT FT SW	
10	V490000810	1	CORD CLAMP	
11	9156406010	1	SCREW-SW	
12	G20000100	1	RADIATOR ASSY	
13	M608000040	1	+RADIATOR CAP	
14	G201000670	1	+BRACKET,RADIATOR	01000031-
14	G201000450	1	BRACKET,RADIATOR	01000001-01000030
15	V205001170	3	BOLT,8	
16	V495002510	3	BAND	
17	G126000230	1	BRACKET,TANK	
18	M471000520	1	COVER	01000031-
19	9103606016	2	BOLT SW	01000031-
20	V475008390	1	TUBE	01000031-
21	V475006260	1	TUBE	
22	V475008370	1	TUBE	
23	V475007520	1	TUBE	
24	G031004530	1	HARNESS,WIRE	
25	966170380	1	TUBE,FUEL	3-WAY JOINT - COOLANT DRAIN
26	966170500	1	FUEL TUBE	RADIATOR - 3-WAY JOINT
27	966170180	1	TUBE, FUEL	ENGINE(COOLANT) - 3-WAY JOINT
28	V205001340	2	BOLT,8	
29	6C09058960	1	GASKET	
30	1711297012	1	V BELT	
31	1K37672850	1	HOSE,WATER	LOWER
32	1K37672940	1	HOSE,WATER	UPPER

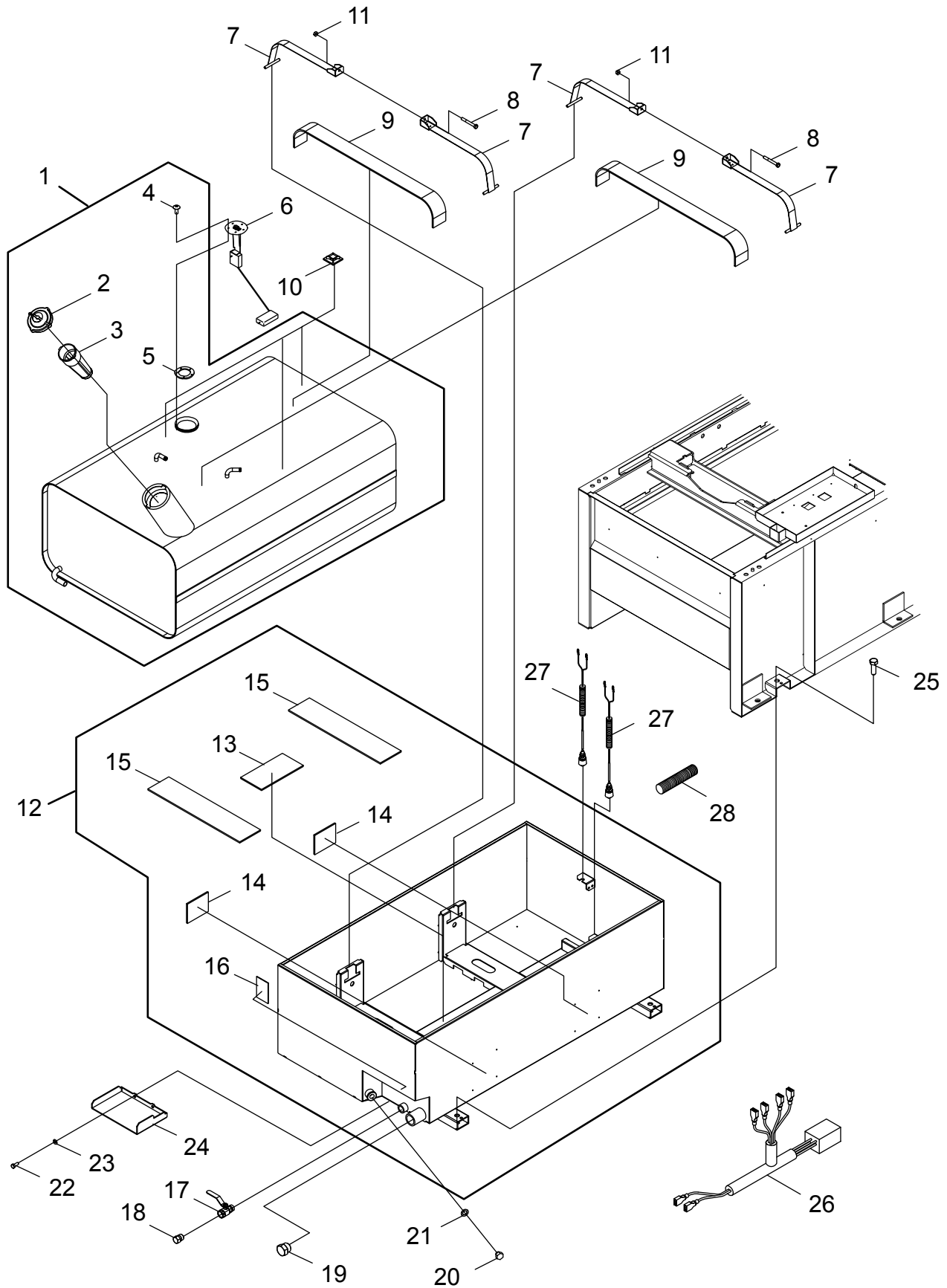
AIR AND MUFFLER ASSEMBLY



AIR AND MUFFLER ASSEMBLY

NO.	PART NUMBER	QTY.	DESCRIPTION
1	G121000260	1	STAY,ENGINE
2	9101012030	6	BOLT
3	90060500012	9	SPRING WASHER
4	G121000270	1	STAY,ENGINE
5	C519002460	3	STAY
6	M416000010	3	TIE MOUNT
7	9134305012	3	SCREW
8	C527001140	1	STAY
9	V207000100	3	BOLT
10	90060200012	3	WASHER
11	V206000640	1	BOLT,10
12	90060500010	1	WASHER,SPRING 10
13	90061700010	1	WASHER, PB-400
14	G231000720	1	PIPE,EXHAUST
15	V265000290	4	FLANGE NUT
16	G230000320	1	MUFFLER,EXH
17	G231001050	1	PIPE,EXHAUST
18	V495002000	1	CLAMP
19	V495002500	1	BAND
20	V104001740	1	GASKET
21	90014708030	2	BOLT, 8*30
22	V205001170	6	BOLT,8
23	V265000290	1	FLANGE NUT
24	G211000411	1	STAY,CLEANER
25	V205001170	2	BOLT,8
26	V204001090	2	BOLT FT SW
27	G213000551	1	HOSE,AIR
28	G213000560	1	HOSE,AIR
29	1K54311012	1	ASSY CLEANER,AIR
30	TA04093230	1	+ASSY ELEMENT,OUTER

FUEL TANK, OIL CONTAINMENT

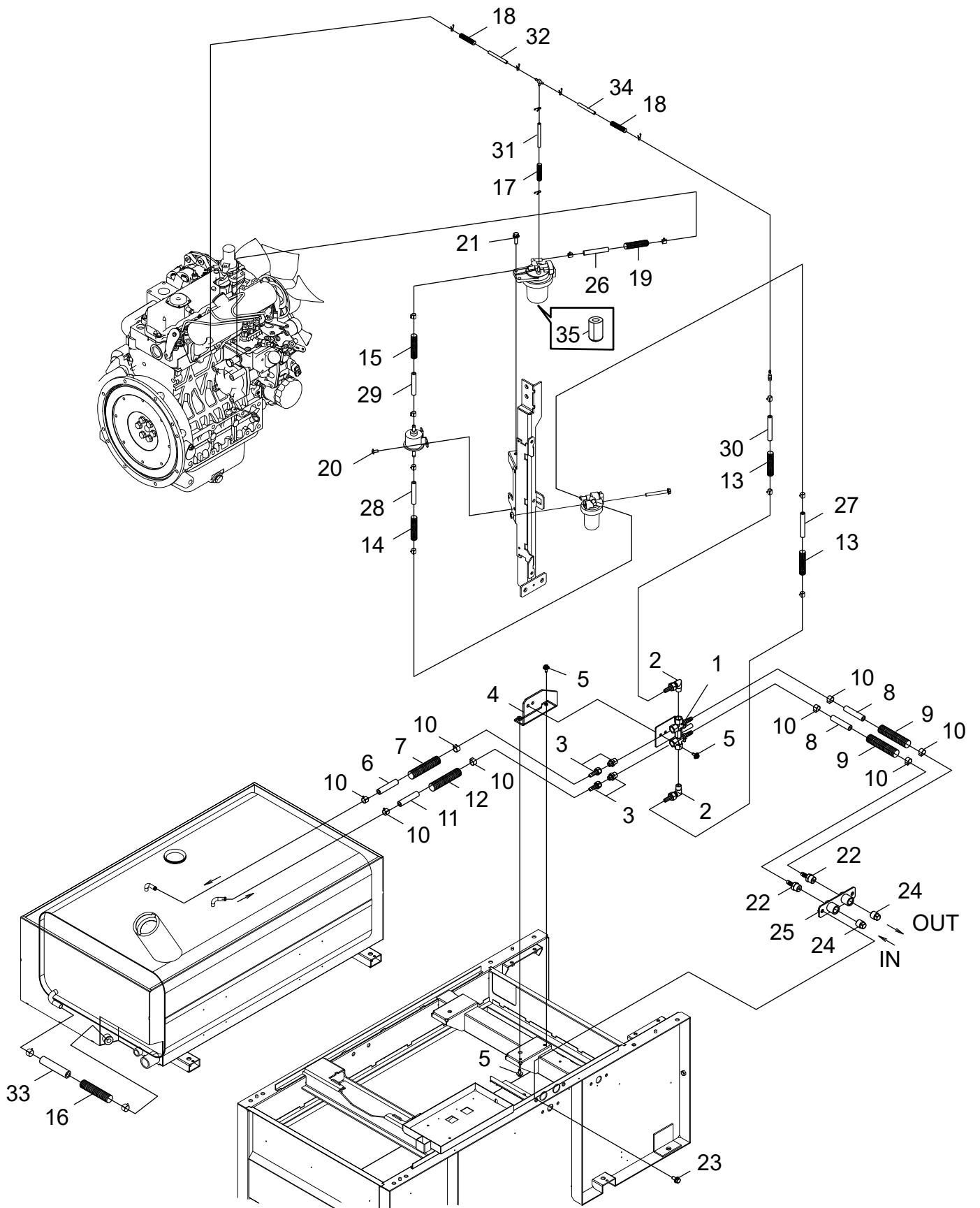


+ Denotes item is part of an assembly
 ++ Denotes item is part of a sub-assembly

FUEL TANK, OIL CONTAINMENT

NO.	PART NUMBER	QTY.	DESCRIPTION
1	G250001230	1	TANK,FUEL
2	G255000010	1	+TANK CAP
3	A369000160	1	+STRAINER
4	9156405010	5	+SCREW SPW
5	K221000030	1	+PACKING
6	E325000040	1	FUEL GAUGE
7	A392000250	4	BAND, FUEL TANK
8	90010008065	2	BOLT 8*65
9	V420003920	2	CUSHION
10	M416000040	3	TIE MOUNT
11	V265000290	2	FLANGE NUT
12	J447001841	1	GUARD
13	V420003060	1	+PAD
14	V420003050	2	+PAD
15	V420003930	2	+CUSHION
16	M700000010	1	+PAD
17	E265000310	1	VALVE
18	E328000330	1	PLUG,DRAIN
19	E328000340	1	PLUG,DRAIN
20	E328000140	1	DRAIN PLUG
21	V106000110	1	SEAL WASHER
22	9109812020	4	BOLT
23	9222912000	4	WASHER
24	J447001850	1	GUARD
25	V205001340	2	BOLT,8
26	G031005790	1	HARNESS,WIRE
27	G334001360	2	SWITCH
28	V475008070	1	TUBE

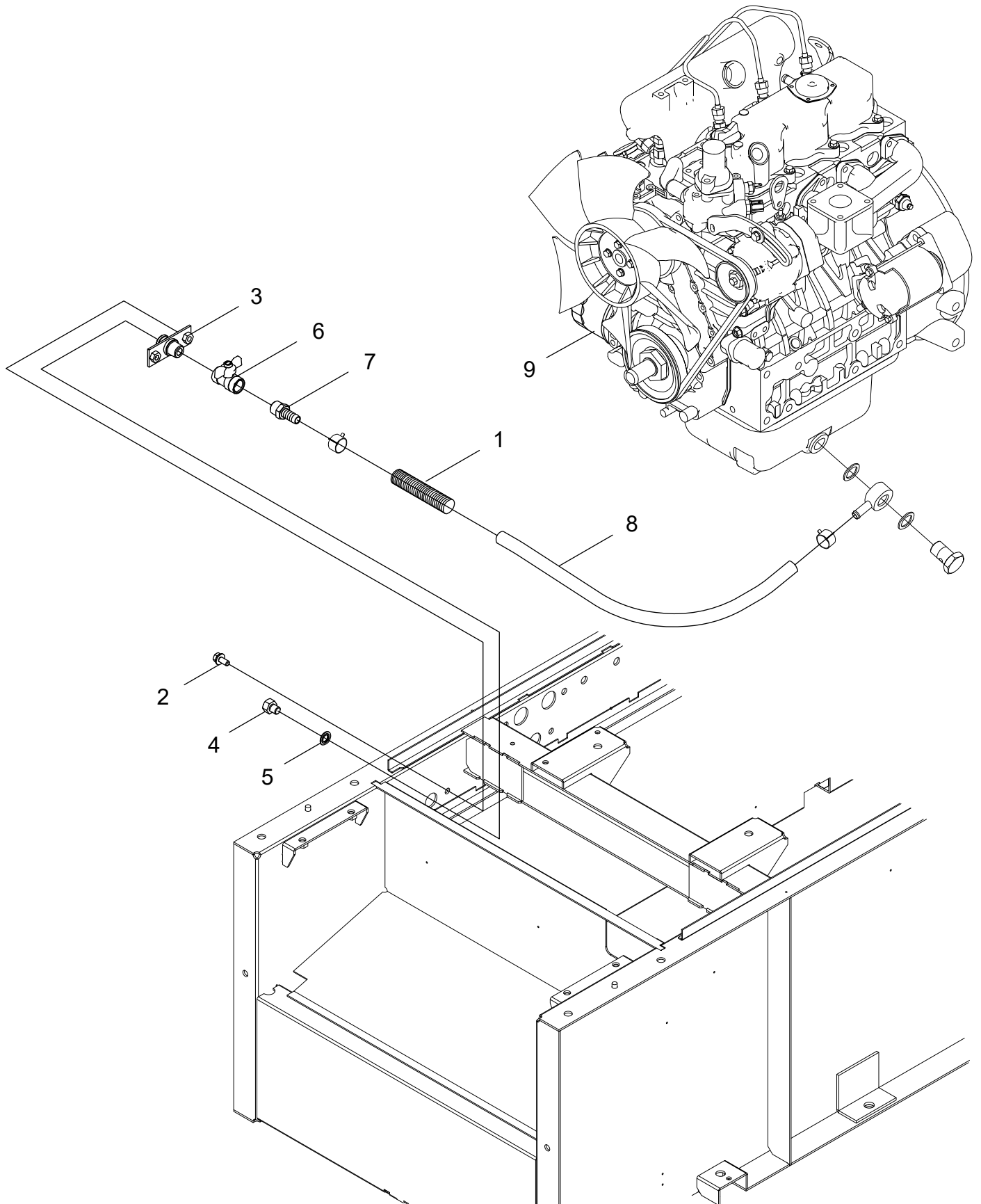
FUEL LINES



FUEL LINES

NO.	PART NUMBER	QTY.	DESCRIPTION	
1	E265000120	1	COCK	
2	E237000140	2	ELBOW	
3	V187000290	2	NIPPLE	
4	C527001130	1	STAY	
5	V204001090	4	BOLT FT SW	
6	K401000870	1	HOSE,8.5	UNION JOINT - FUEL TANK
7	V475006430	1	TUBE	
8	K401000420	2	HOSE	3-WAY VALVE - OUTER FUEL INLET/OUTLET
9	V475008360	2	TUBE	
10	V495001660	8	HOSE CLAMP	
11	K401000330	1	HOSE	FUEL TANK - UNION JOINT
12	V475005730	1	TUBE	
13	V475008380	2	TUBE	
14	V475008390	1	TUBE	
15	V475006250	1	TUBE	
16	V476000460	1	TUBE	
17	V476000230	1	TUBE	
18	V475008400	2	TUBE	
19	V475006260	1	TUBE	
20	90021606014	2	SCREW 6*14	
21	90014708030	2	BOLT, 8*30	
22	V187000110	2	NIPPLE	
23	V205001340	2	BOLT,8	
24	E328000110	2	DRAIN PLUG	
25	C153000560	1	SOCKET	
26	966170380	1	TUBE,FUEL	FUEL FILTER - ENGINE
27	966170320	1	TUBE, FUEL	3-WAY VALVE - WATER SEDIMENTOR
28	966170360	1	FUEL TUBE	WATER SEDIMENTOR - MAGNET PUMP
29	966170280	1	FUEL TUBE	MAGNET PUMP - FUEL FILTER
30	966170300	1	FUEL TUBE	JOINT PIPE - 3-WAY VALVE
31	966140260	1	TUBE,FUEL	T-JOINT - FUEL FILTER
32	966140180	1	FUEL TUBE	ENGINE - T-JOINT
33	1G31533210	1	PIPE(OIL DRAIN)	FUEL TANK - FUEL DRAIN
34	966140180	1	FUEL TUBE	T-JOINT - JOINT PIPE
35	1552143160	1	ELEMENT,FILTER	

OIL LINES

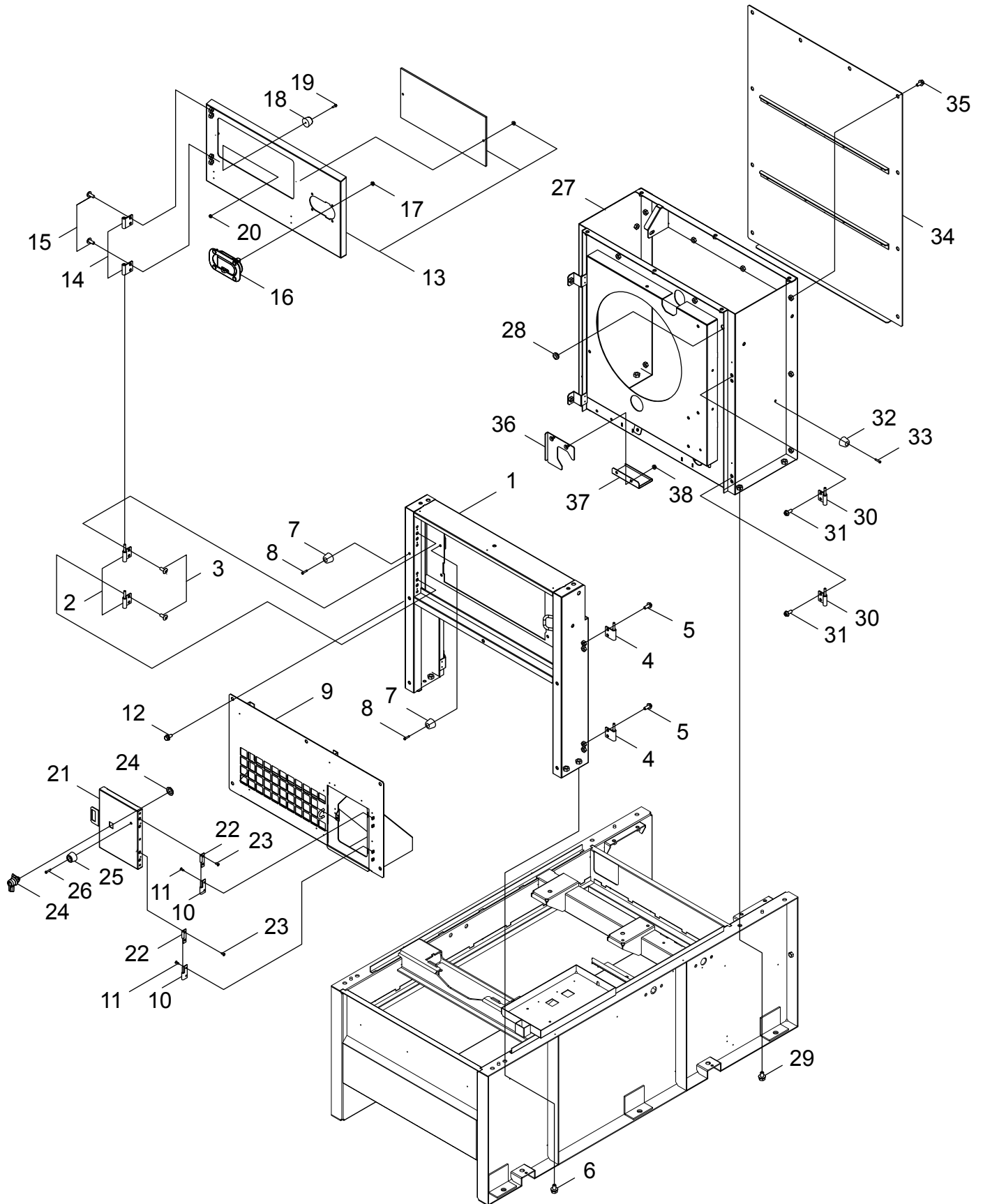


+ Denotes item is part of an assembly
 ++ Denotes item is part of a sub-assembly

OIL LINES

NO.	PART NUMBER	QTY.	DESCRIPTION	
1	V476001010	1	TUBE	
2	V205001340	2	BOLT,8	
3	C153000540	1	SOCKET	
4	E328000311	1	PLUG,DRAIN	
5	V106000190	1	GASKET,CIRCULAR	
6	E265000290	1	VALVE	
7	V187000090	1	NIPPLE	
8	1714733210	1	HOSE	ENGINE - OIL DRAIN
9	HH16432430	1	CARTRIDGE,OIL FILTER	

ENCLOSURE FRAME

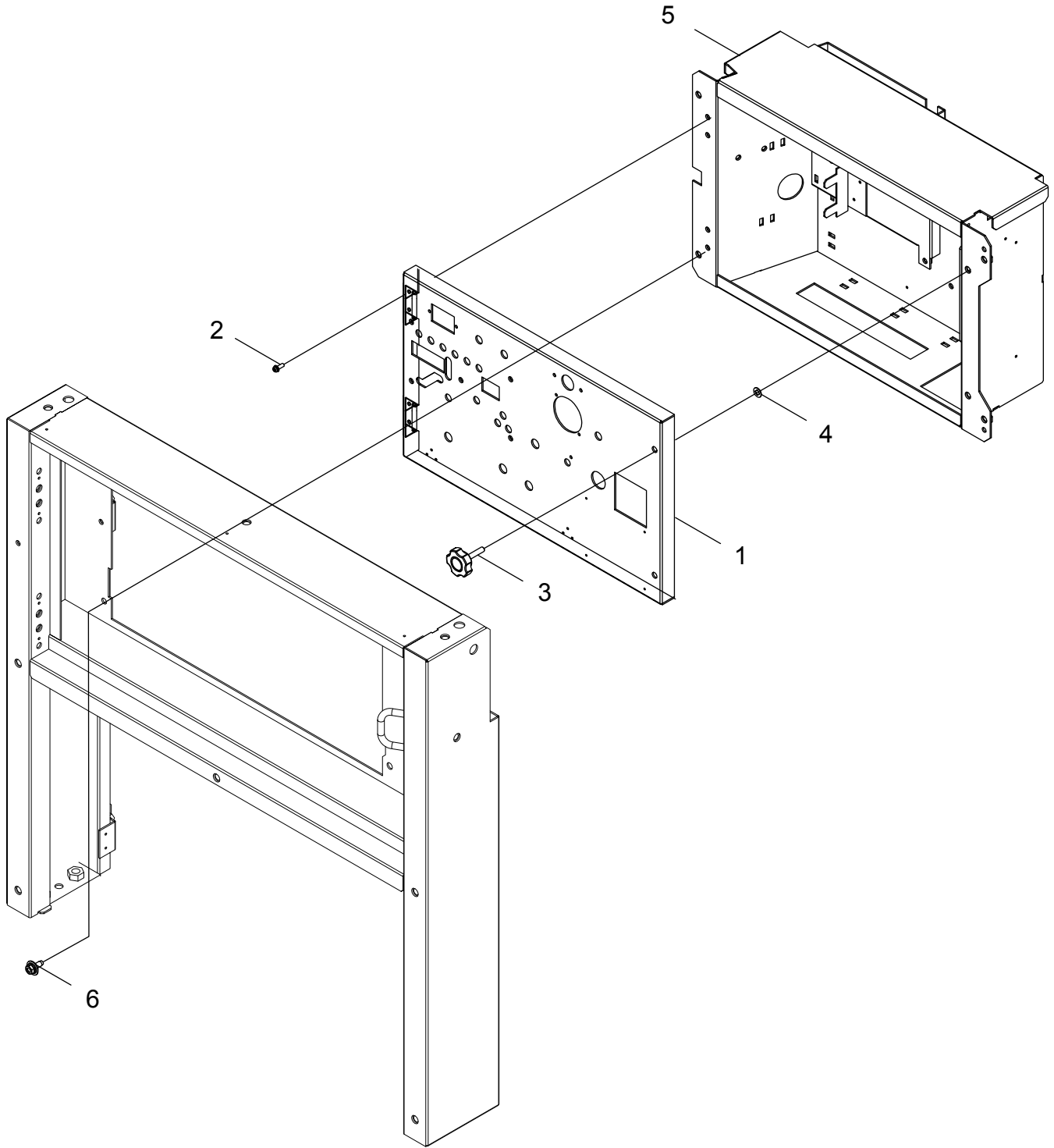


+ Denotes item is part of an assembly
 ++ Denotes item is part of a sub-assembly

ENCLOSURE FRAME

NO.	PART NUMBER	QTY.	DESCRIPTION
1	J493000960	1	BONNET
2	J485000250	2	HINGE
3	9131808020	4	SCREW TRUSS
4	J485000250	2	HINGE
5	V205001260	4	BOLT,8
6	9103410020	4	BOLT SPW
7	V420003070	2	STAND,RUBBER
8	9138104020	2	SCREW,TAPPING
9	J500002090	1	PANEL
10	J485000310	2	HINGE
11	9144704012	4	SCREW,TAPPING
12	V205001340	5	BOLT,8
13	M040000760	1	FRONT DOOR,ASM
14	J485000280	2	HINGE
15	9131808020	4	SCREW TRUSS
16	C701000420	1	LOCK COVER
17	V264000220	4	FLANGE NUT
18	V420003070	1	STAND,RUBBER
19	9146104014	1	SCREW M4x14
20	V262000190	1	FLANGE NUT
21	M471000190	1	COVER
22	J485000330	2	HINGE
23	9144704012	4	SCREW,TAPPING
24	C701001110	1	PANEL
25	V420003070	1	STAND,RUBBER
26	9138104020	1	SCREW,TAPPING
27	J493000970	1	BONNET
28	V144000440	1	GROMMET
29	9103410020	4	BOLT SPW
30	J485000260	2	HINGE
31	V205001260	4	BOLT,8
32	V420003070	1	STAND,RUBBER
33	9138104020	1	SCREW,TAPPING
34	M415001230	1	PLATE,REAR
35	V205001340	10	BOLT,8
36	A301000050	1	PLATE,MUFFLER
37	G233000520	1	COVER,MUFFLER
38	V264000220	2	FLANGE NUT

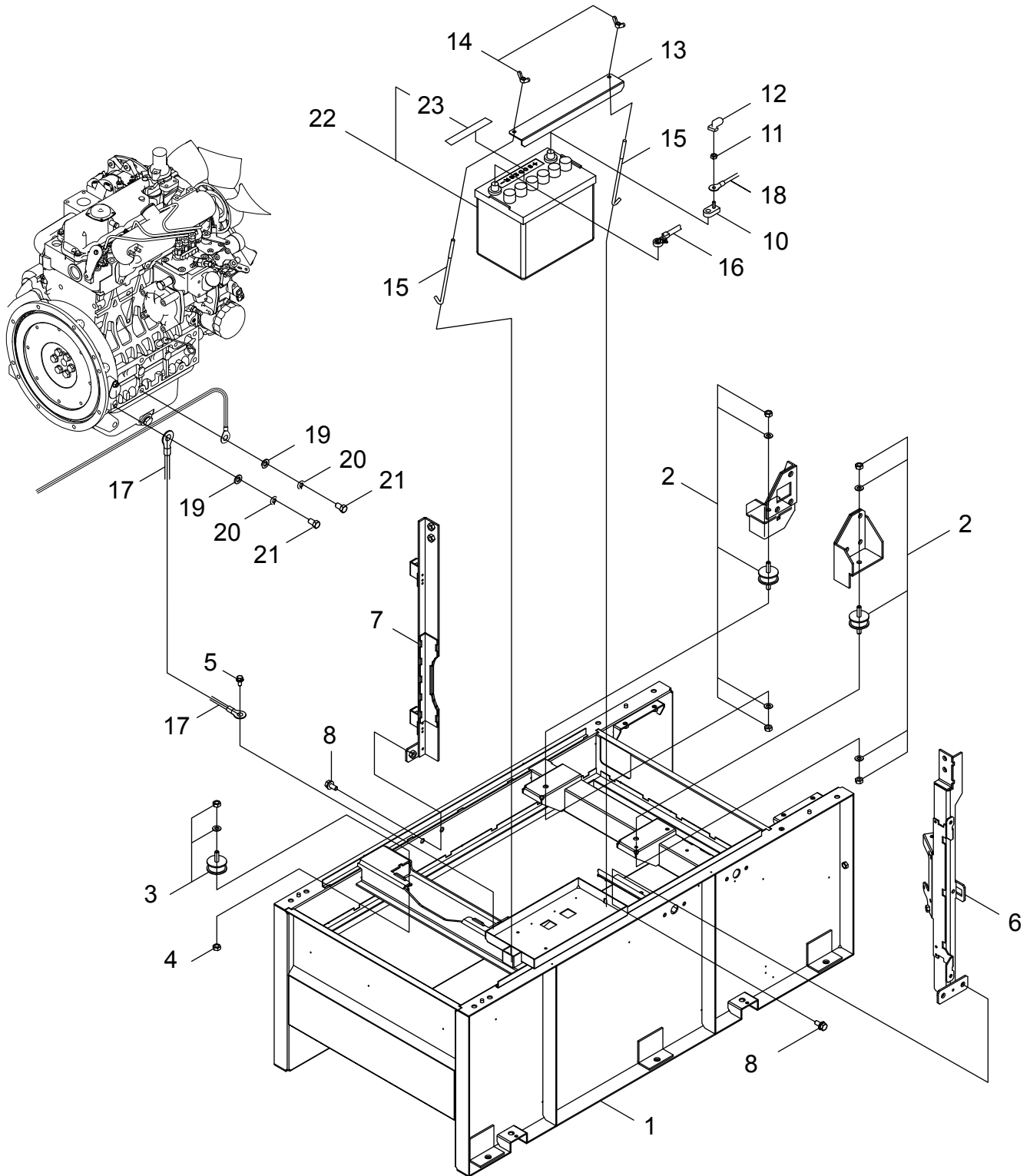
FRONT ENCLOSURE



FRONT ENCLOSURE

NO.	PART NUMBER	QTY.	DESCRIPTION	
1	C165000310	1	PANEL,OPERATION	
2	9156604012	4	SCREW SPW	
3	M613000020	2	KNOB	
4	V583000230	2	U RING	
5	J431000080	1	BOX,CONTROL	
6	V204001090	4	BOLT FT SW	

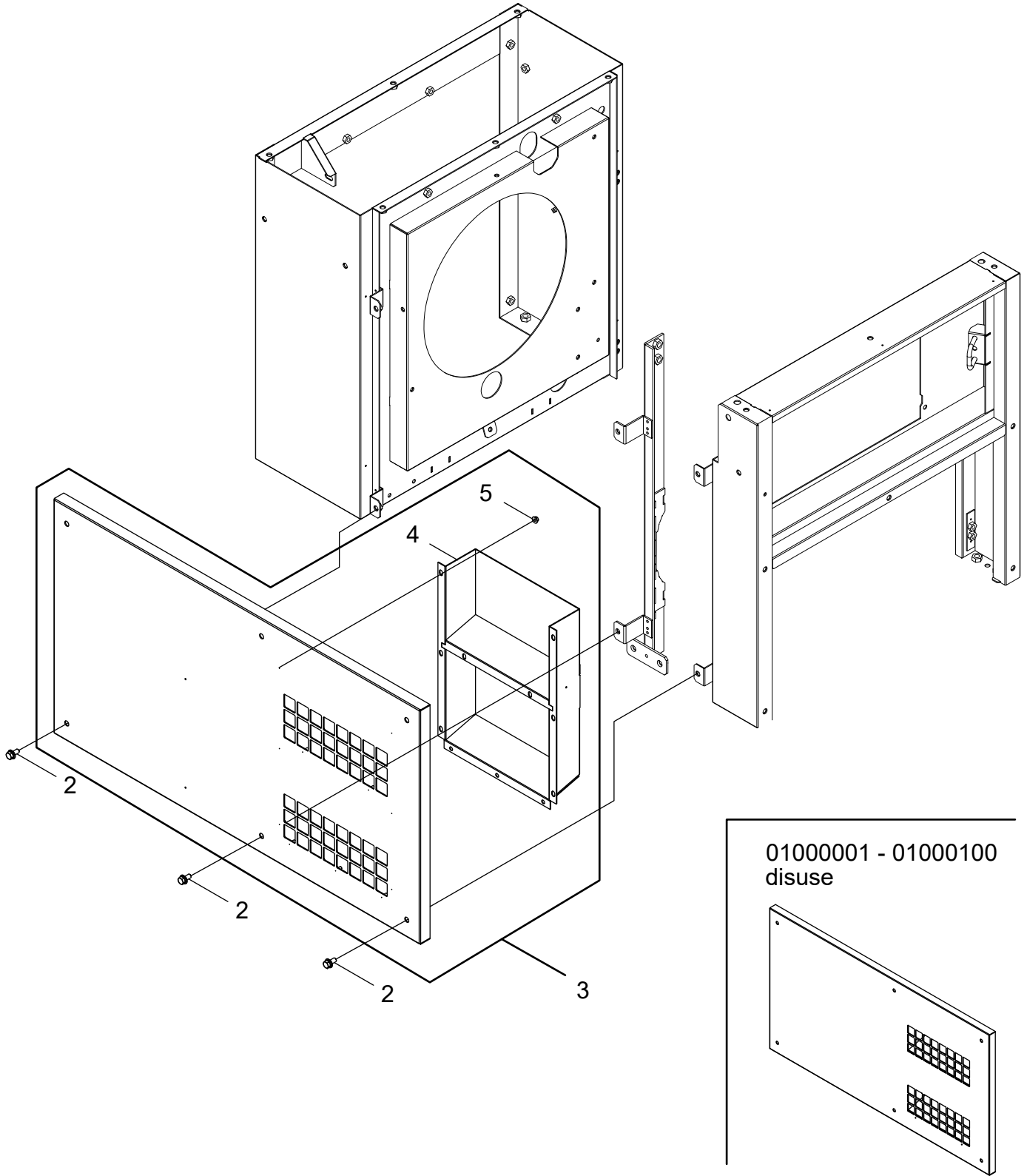
BASE, FRAME



BASE, FRAME

NO.	PART NUMBER	QTY.	DESCRIPTION
1	J404001331	1	FRAME
2	V404000140	2	AV RUBBER
3	V404000240	2	CUSHION,10
4	V266000120	2	FLANGE NUT
5	V205001170	1	BOLT,8
6	J415000930	1	STAY,BONNET
7	J415000941	1	STAY,BONNET
8	V206000720	4	BOLT,10
10	V486000240	1	TERMINAL
11	V265000310	1	NUT
12	G305000030	1	TERMINAL CAP
13	G303000480	1	HOLDER,BATTERY
14	9219008000	2	WING NUT
15	V240000240	2	BOLT,HOOK
16	M384000010	1	LEAD
17	M384000020	1	LEAD
18	M384000031	1	LEAD
19	90060200012	2	WASHER
20	90060500012	2	SPRING WASHER
21	V207000100	2	BOLT
22	V046000210	1	BATTERY,ASM
23	X505010410	1	+LABEL,CAUTION

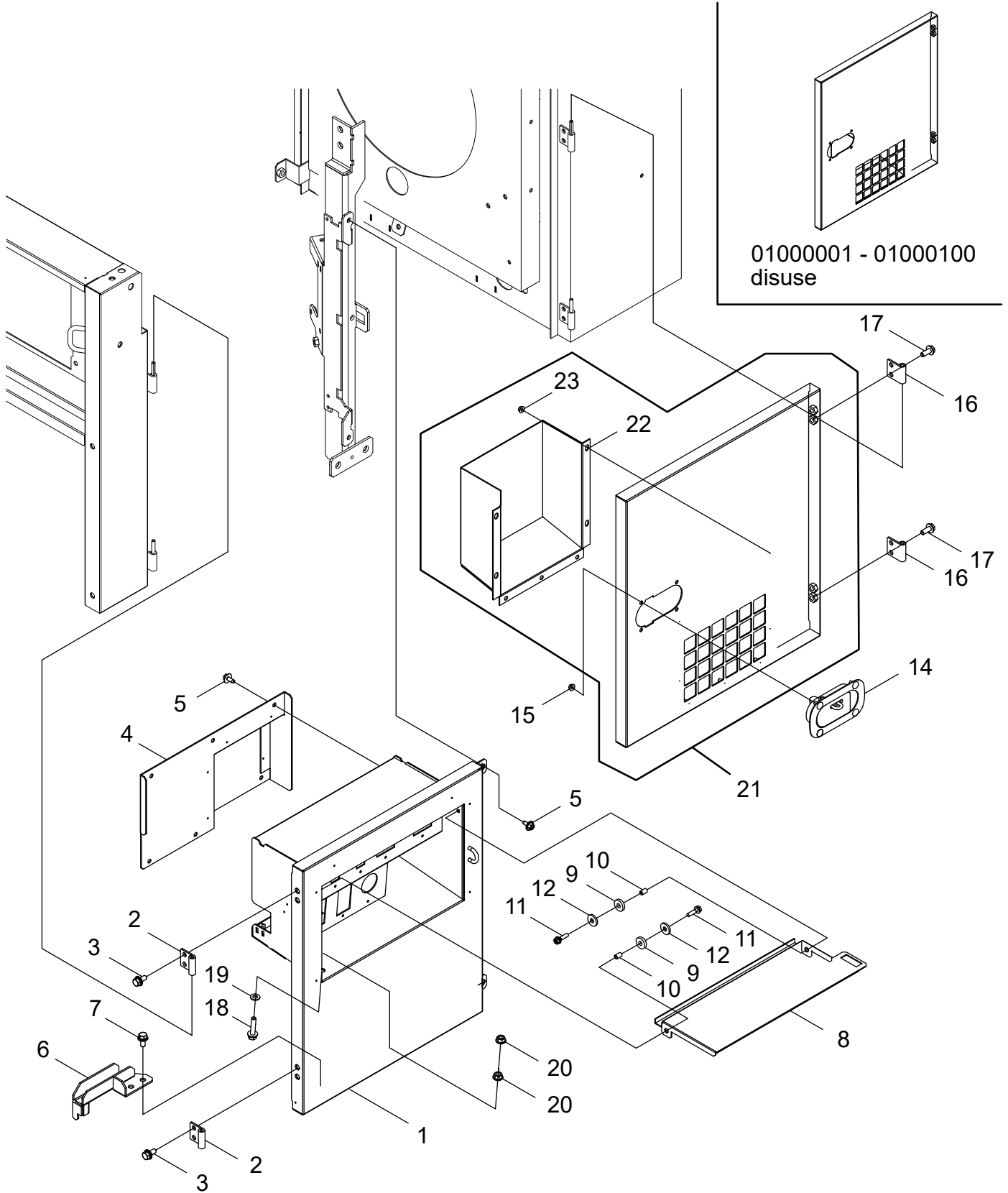
LEFT ENCLOSURE



LEFT ENCLOSURE

NO.	PART NUMBER	QTY.	DESCRIPTION	
2	V205001340	6	BOLT,8	
3	J500001920	1	PANEL	01000001-01000100
3	J500003310	1	PANEL	
4	G128001870	1	+DUCT,AIR	
5	V264000220	11	+FLANGE NUT	

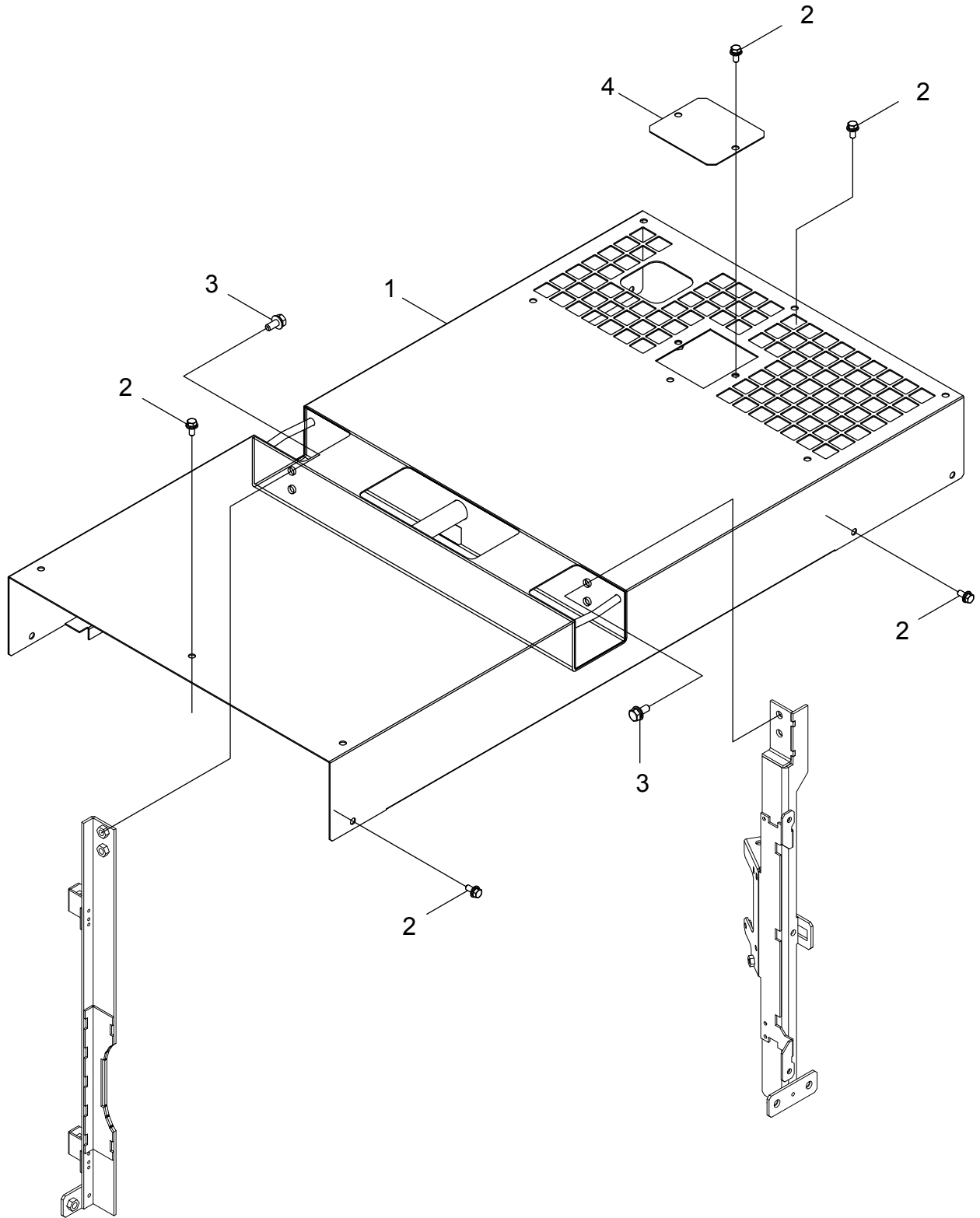
RIGHT ENCLOSURE



RIGHT ENCLOSURE

NO.	PART NUMBER	QTY.	DESCRIPTION	
1	M409001371	1	DOOR,SIDE	
2	J485000280	2	HINGE	
3	V205001260	4	BOLT,8	
4	M472000210	1	COVER	
5	V204001090	9	BOLT FT SW	
6	G257000960	1	STOPPER	
7	V205001170	2	BOLT,8	
8	M471000871	1	COVER	
9	V420004810	2	CUSHION	
10	V375001020	2	COLLAR	
11	9103606025	2	BOLT SW	
12	V306000390	2	WASHER	
14	C701000420	1	LOCK COVER	
15	V264000220	4	FLANGE NUT	
16	J485000280	2	HINGE	
17	V205001260	4	BOLT,8	
18	9103408040	1	BOLT SW	
19	90060200008	1	WASHER 8	
20	V265000450	2	NUT,8	
21	M406001930	1	DOOR,RIGHT	01000001-01000100
21	M407000710	1	DOOR,RIGHT	
22	G128001840	1	+DUCT,AIR	
23	V264000220	7	+FLANGE NUT	

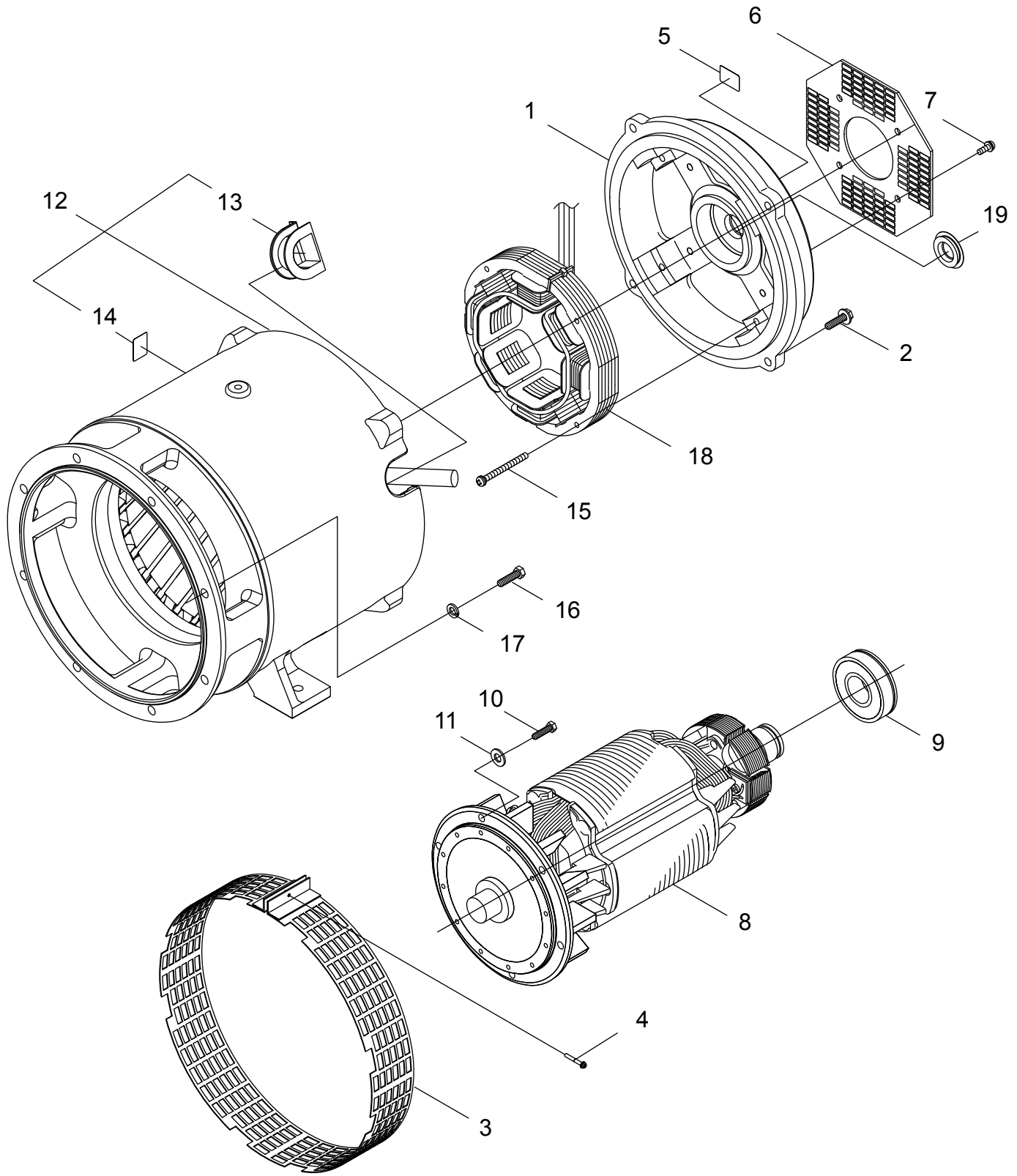
TOP ENCLOSURE



TOP ENCLOSURE

NO.	PART NUMBER	QTY.	DESCRIPTION	
1	J492002680	1	BONNET	
2	V205001340	17	BOLT,8	
3	V206000720	4	BOLT,10	
4	J480001860	1	LID,COVER	

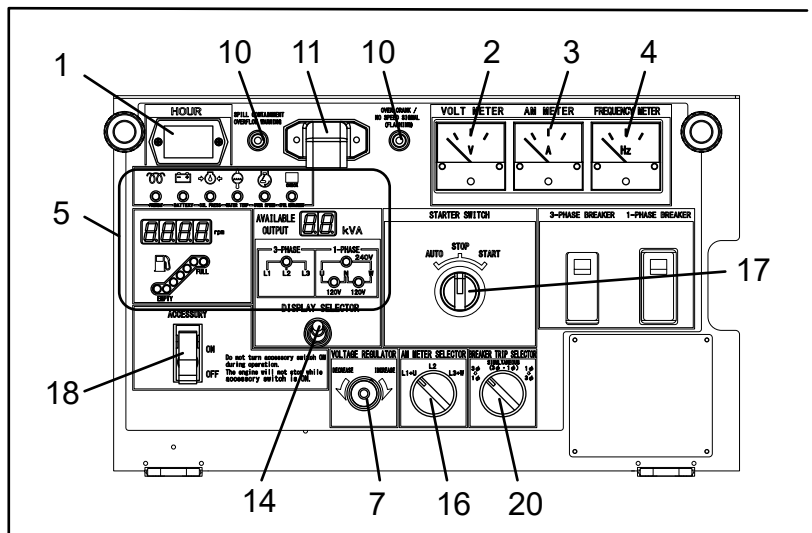
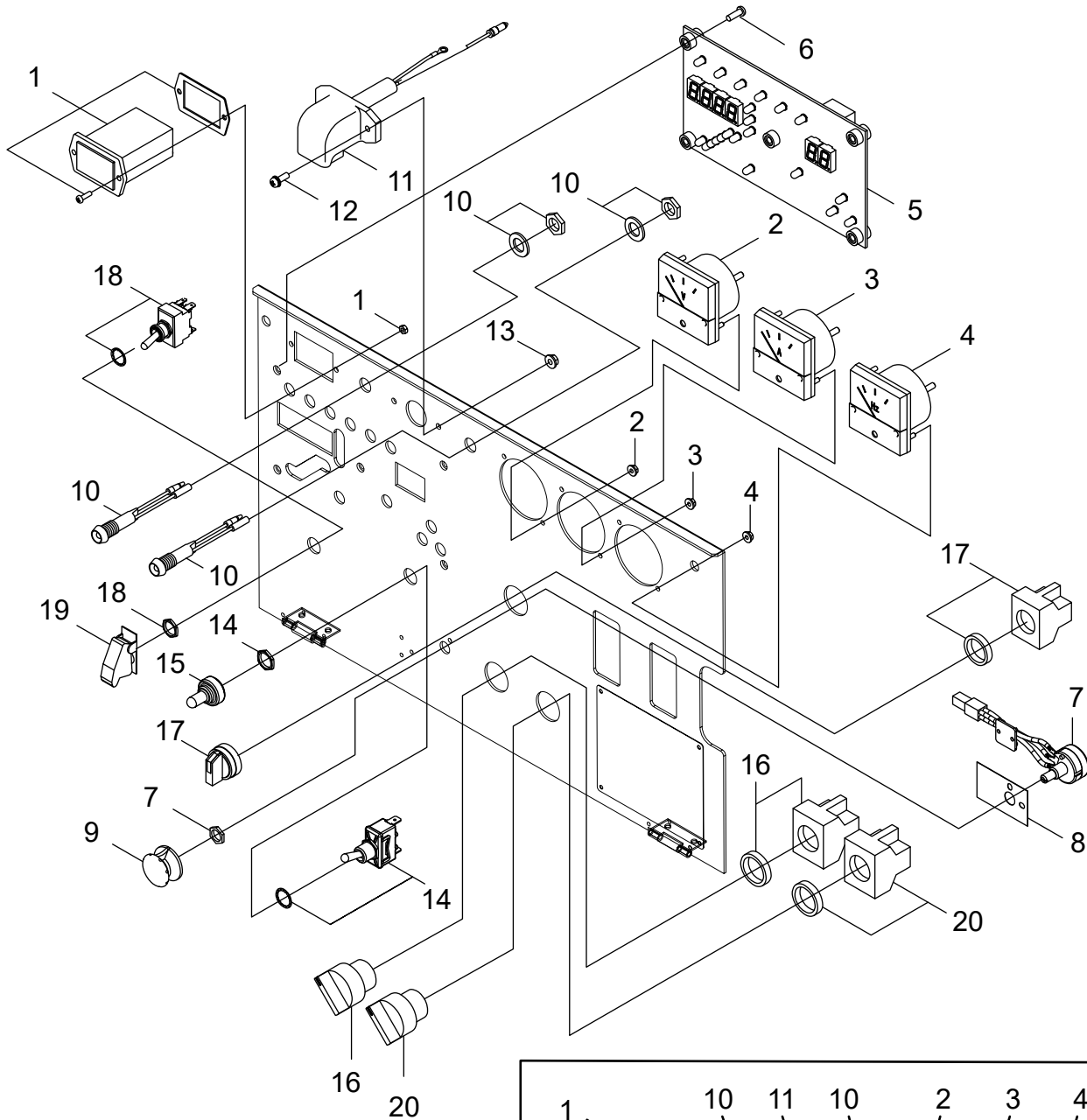
ALTERNATOR



ALTERNATOR

NO.	PART NUMBER	QTY.	DESCRIPTION	
1	M305000050	1	REAR BRACKET	01000001-01000030
1	M305000051	1	HOUSING	01000031-,SET #19 GROMMET
2	9102210035	4	BOLT SW	
3	A172001720	1	FAN COVER	
4	9156404030	1	SCREW SW	
5	M703000070	1	LABEL,THERMOMETER	
6	J470004490	1	COVER	
7	9156405010	4	SCREW SPW	
8	M102000721	1	ROTOR	
9	V592000170	1	BEARING	
10	9102708030	8	BOLT	
11	90060500008	8	WASHER,SPRING 8	
12	A041000930	1	STATOR ASSEMBLY	
13	V144000610	1	+GROMMET	
14	M703000020	1	+LABEL THERMOMETER	
15	A041000300	1	STATOR,ASM	
16	9156405040	4	SCREW SW	
17	9102710030	8	BOLT	
18	90060500010	8	WASHER,SPRING 10	
19	V145000810	1	GROMMET,CIRCULAR	01000031-

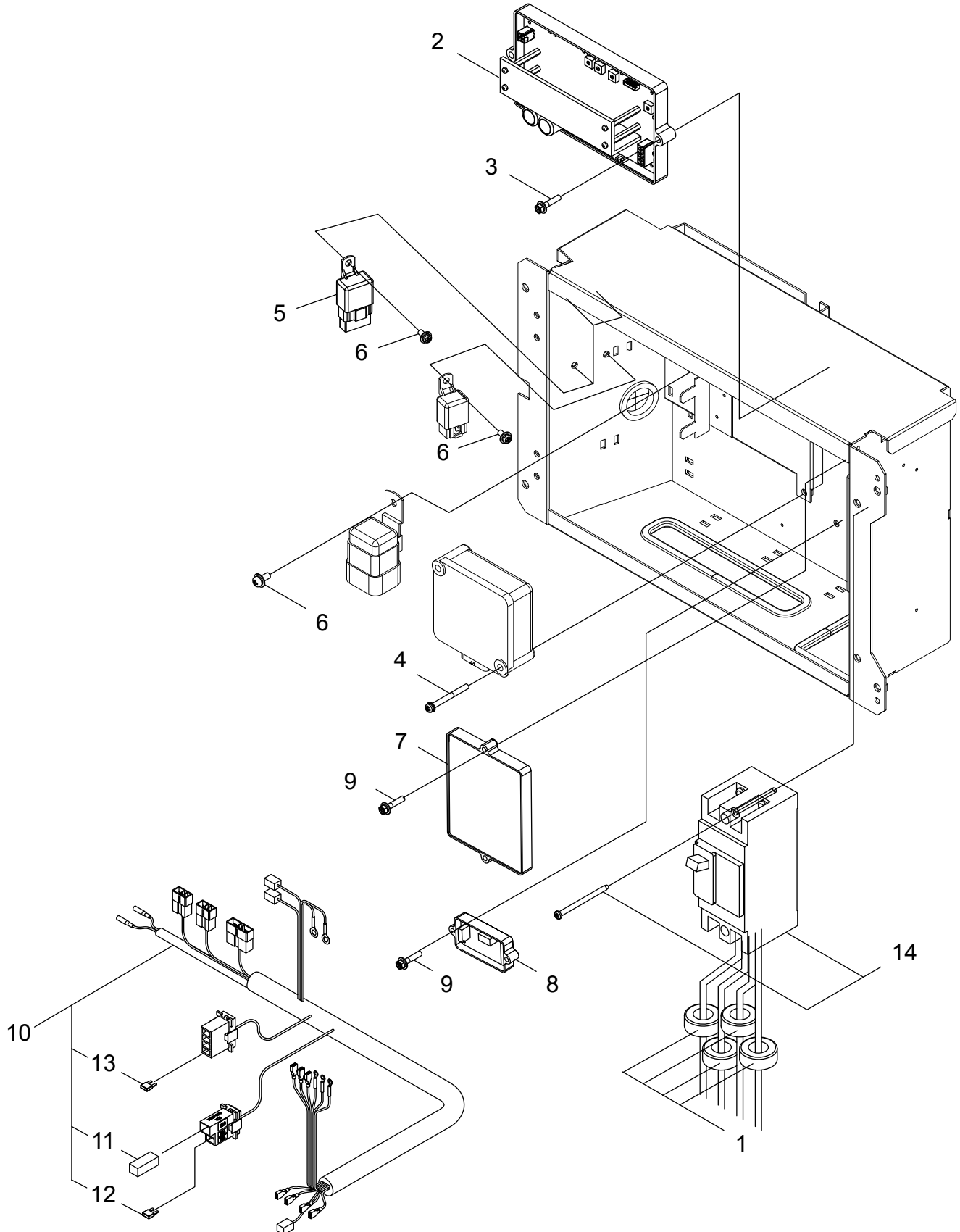
MAIN CONTROL PANEL



MAIN CONTROL PANEL

NO.	PART NUMBER	QTY.	DESCRIPTION	
1	G327000400	1	LAMP,PILOT	
2	90023804016	2	SCREW 4x16	
3	V262000190	2	FLANGE NUT	
4	G327000700	2	LAMP,PILOT	
5	M109000100	1	METER	
6	G319000060	1	HOUR METER	
7	G370002550	1	UNIT,CONTROL	
8	9146104012	5	SCREW	
9	M112000010	1	VOLUME COMP	VOLTAGE REGULATOR
10	E145000060	1	DIAL	
11	A045000761	1	SWITCH, ON OFF	THROTTLE
12	A440001970	1	SWITCH,ON OFF	OIL PRESSURE/WATER TEMPERATURE/SPEED SELECTOR
13	V494000910	3	CAP	
14	G334002060	1	SWITCH	STARTER
15	G334001960	1	SWITCH	ACCESSORY
16	A447000140	1	COVER,SWITCH KNOB	
17	M416000040	1	TIE MOUNT	
18	A440001970	1	SWITCH,ON OFF	DISPLAY SELECTOR

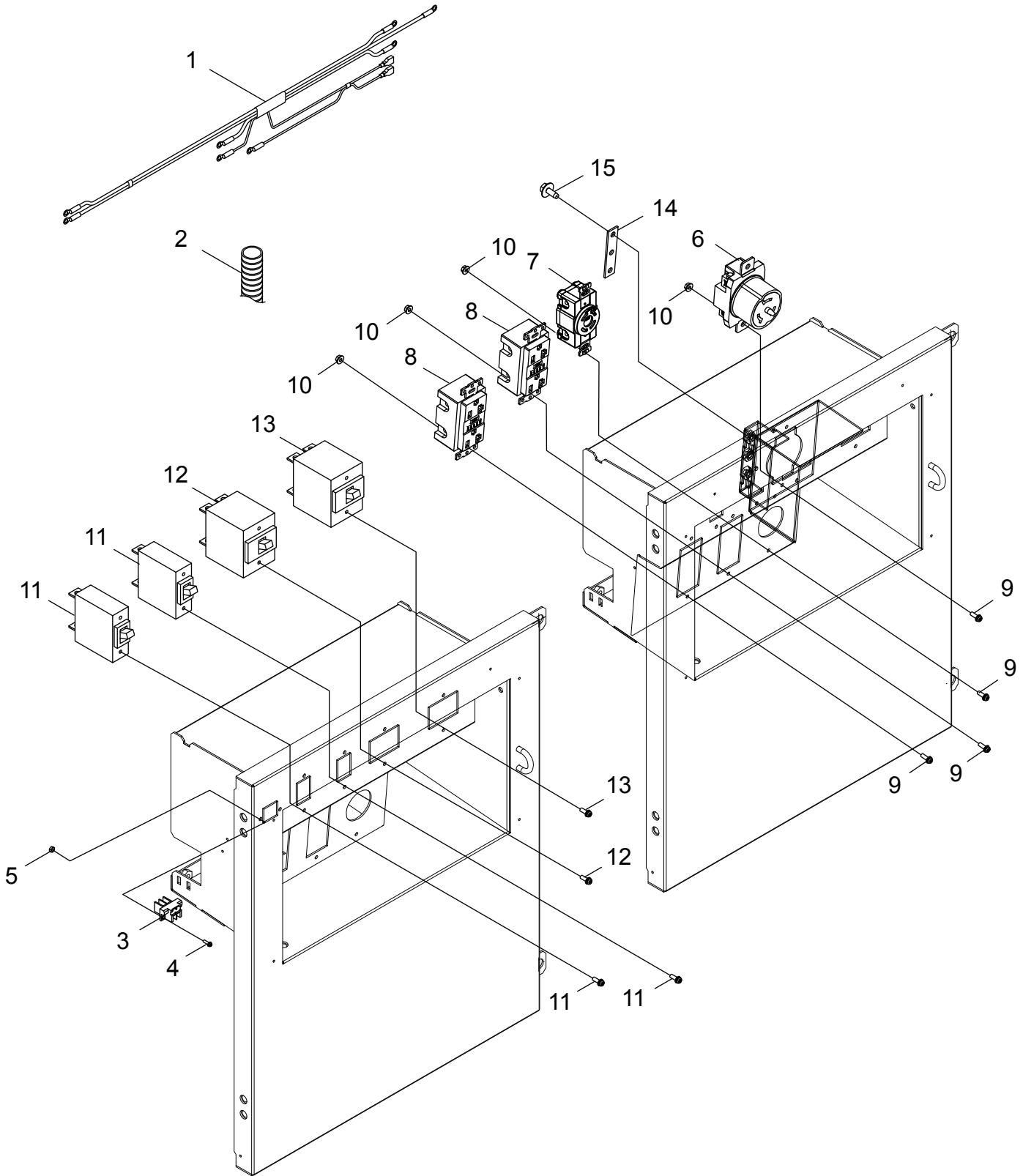
MAIN BREAKER AND CONTROL BOX



MAIN BREAKER AND CONTROL BOX

NO.	PART NUMBER	QTY.	DESCRIPTION
1	M108000190	4	CT,ASM
2	G370001791	1	UNIT,CONTROL
3	9103605025	2	BOLT SW
4	9156405050	2	SCREW SW
5	G343000490	3	RELAY
6	9156805012	5	SCREW SLPW
7	G370002541	1	UNIT,CONTROL
8	G370002400	1	UNIT,CONTROL
9	9103605025	4	BOLT SW
10	G031005780	1	HARNESS,WIRE
11	G350000420	1	+FUSE
12	G350000520	2	+FUSE
13	G350000410	3	+FUSE
14	M111001550	1	BREAKER

POWER OUTPUT TERMINAL

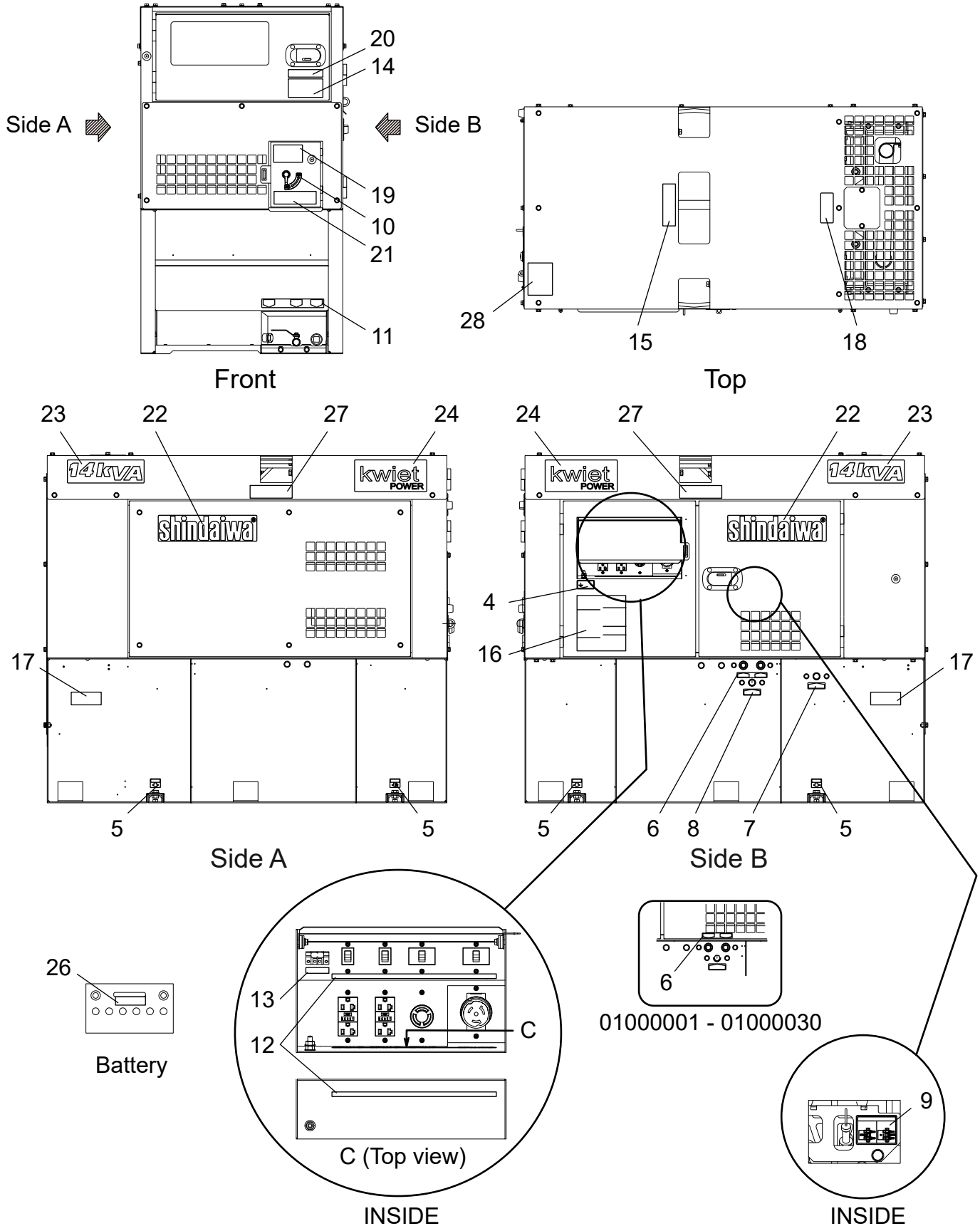


+ Denotes item is part of an assembly
 ++ Denotes item is part of a sub-assembly

POWER OUTPUT TERMINAL

NO.	PART NUMBER	QTY.	DESCRIPTION
1	G031005800	1	HARNESS,WIRE
2	V475008350	1	TUBE
3	M308000680	1	BLOCK,TERMINAL
4	9156403012	2	SCREW SW
5	V261000010	2	FLANGE NUT
6	C154000170	1	PLUG SOCKET
7	C154000180	1	SOCKET
8	C154000491	2	RECEPTACLE
9	9156404012	8	SCREW SW
10	V262000190	8	FLANGE NUT
11	C137000080	2	CIRCUIT PROTECTOR
12	C137000090	1	CIRCUIT PROTECTOR
13	C137000070	1	CIRCUIT PROTECTOR
14	V150003140	1	PLATE,EYE
15	9103606016	3	BOLT SW

LABELS



LABELS

NO.	PART NUMBER	QTY.	DESCRIPTION	
4	M704001400	1	LABEL,INST	
5	M707000380	4	LABEL,INST	
6	M707000770	1	LABEL,INST	01000001-01000030
6	M709000120	1	LABEL,INST	01000031-
7	M707000790	1	LABEL,INST	
8	M707000800	1	LABEL,INST	
9	M707000810	1	LABEL,INST	
10	M707000830	1	LABEL,INST	
11	M709000030	1	LABEL,INST	
12	M709000040	1	LABEL,INST	
13	M704003260	1	LABEL,INST	
14	X505010400	1	LABEL,CAUTION	
15	X505007550	1	LABEL,CAUTION	
16	X505010910	1	LABEL,CAUTION	
17	X505007830	2	LABEL,CAUTION	
18	X505007840	1	LABEL,CAUTION	
19	X505008400	1	LABEL,CAUTION	
20	X505010800	1	LABEL,CAUTION	
21	X505007650	1	LABEL,CAUTION	
22	X504006320	2	LABEL,BRAND	
23	X524007210	2	LABEL	
24	M705001070	2	LABEL,FEATURE	
26	X505010410	1	LABEL,CAUTION	
27	X505010920	2	LABEL,CAUTION	
28	X505011430	1	LABEL,CAUTION	