



PURE. RELIABLE. POWER.



CONTRACTOR GRADE. EPA FINAL TIER 4. ALWAYS CLEAN,
EVEN AT ITS DIRTIEST. THE YDG-W, BY **YANMAR**.

SPECIFICATIONS

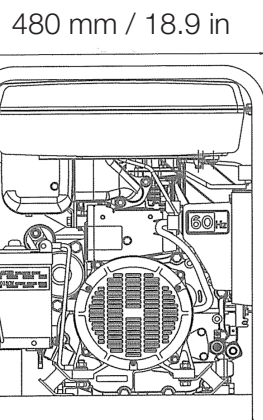
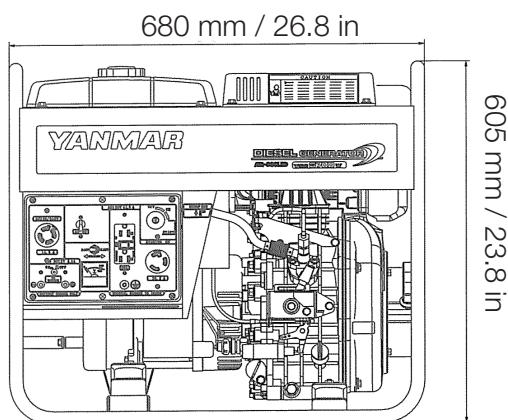
		YDG3700W-6EI	YDG5500W-6EI	
Generator	Type	Revolving field type 2 pole generator		
	Frequency	Hz	60	
	Max. AC output	kVA	3.7	5.5
	Cont. AC output	kVA	3.5	5.0
	Related Power Factor	%	100	
	Phase	Single Phase		
	Excitation system	Self-excitation		
	DC output (generator & charger)	V-A	12-8.3	
	Voltage	V	120/240	
	Engine	Model	L70W6-GEY	L100W6-GEY
Type		Vertical, 4-cycle, air-cooled diesel engine		
Displacement		cc	320	435
Cont. output		kW/min-1(rpm)	4.3/3600	6.2/3600
Starting system		Recoil / Electric		
Combustion system		Direct injection		
Governor system		All speed by centrifugal weight		
Engine stop system		Fuel cut solenoid		
Charging system		V-A	Flywheel dynamo 12-15	
Battery		V-Ah	12V-21Ah	12V-28Ah
Fuel oil		lit.	Diesel fuel oil	
Fuel tank capacity		lit.	13	
Lube oil capacity			1.1	1.65
Operation capacity (One tankful)* approx.		Hr.	8	6
Unit		Noise level at 7m (approx.)	dB(A)	82
	Dimensions L X W X H, Recoil	mm	680 X 480 X 605	720 X 480 X 633
	Dimensions L X W X H, Electric	mm	680 X 480 X 605	720 X 480 X 633
	Dry weight(kg)	(Recoil)		
		(Electric)	85	113

STANDARD ACCESSORIES

Model	YDG3700W-6EI	YDG5500W-6EI
AC dual voltage	●	●
AC breaker	●	●
12V DC output	●	●
DC breaker	●	●
Voltage meter	Single	-
	Dual	●
Pilot lamp	-	-
Oil alert	●	●
Fuel gauge	●	●
Recoil start	●	●
Electric start	●	●
Tool set	●	●
Spark	●	●



YDG 3700



YDG 5500

