

W70PTO-3/A 540RPM

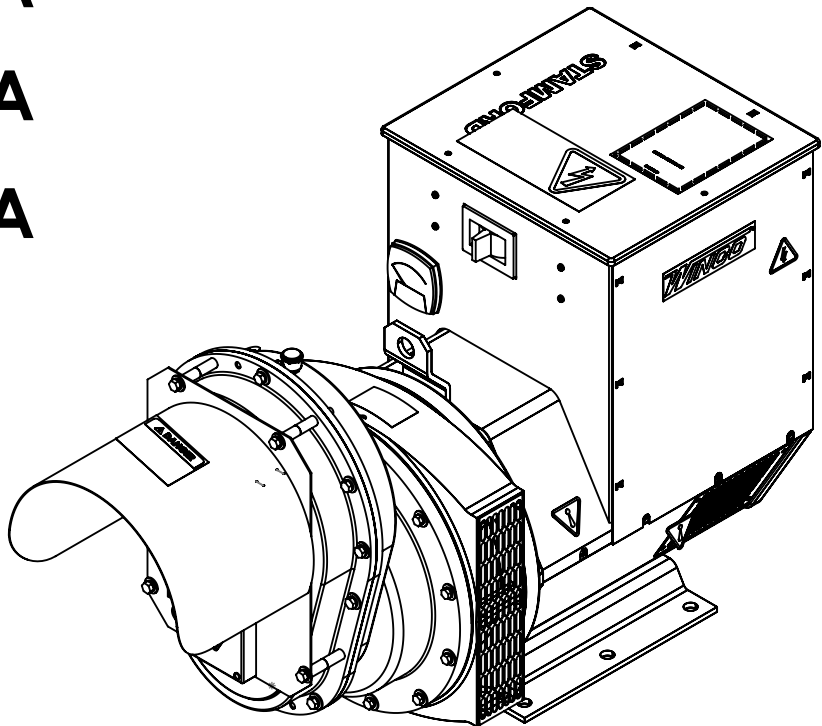
W70PTO-3/A 1000RPM

W75PTOS-04/A

W75PTOS-17/A

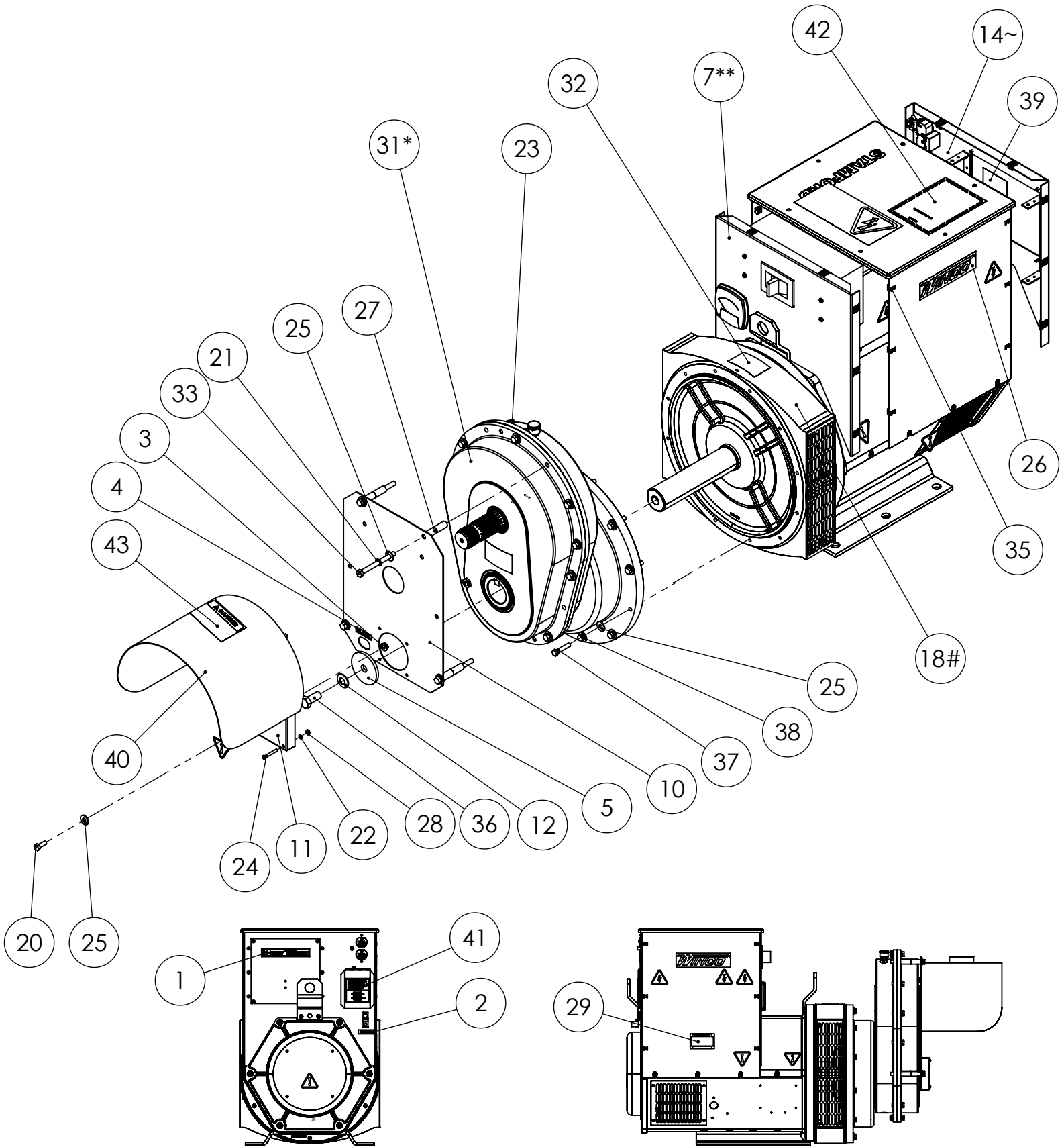
W85PTOS-18/A

W85PTOS/B



WINCO Service
Phone: 507-357-6831
Email: service@wincogen.com
www.wincogen.com

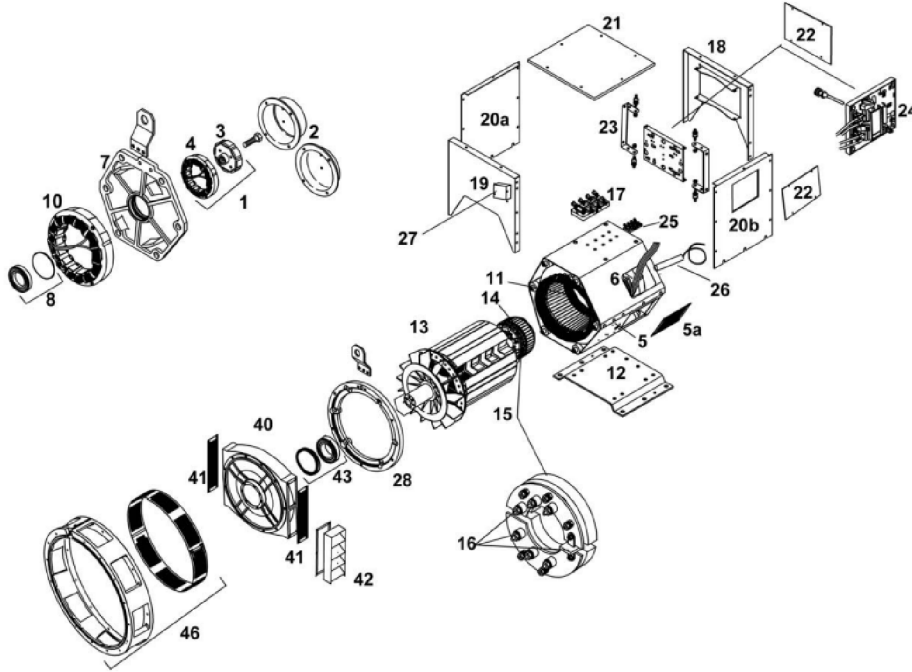
GENERAL ASSEMBLY PARTS LIST



GENERAL ASSEMBLY PARTS LIST

ITEM NO.	PART NUMBER	DESCRIPTION	QTY.
1	15209-003	UL-DECAL ELECTRICAL SHOCK CAN KILL	1
2	15750-001	GROUND DECAL	1
3	16249-000	.3125-18 FLANGE	4
4	16303-000	DECAL-OIL LEVEL	1
5	300096	WASHER SHAFT	1
6**	300101-14	MLCB PANEL ASSY. (64864-010)	1
7**	300101-21	MLCB PANEL ASSY (64864-013/014)	1
8**	300101-22	MLCB PANEL ASSY. (64868-016/017)	1
9**	300101-23	MLCB PANEL ASSY. (64864-018)	1
10	300104	SUPPORT, PTO GUARD	1
11	300105	GUARD, LOWER SHAFT	1
12	300106-1	WASHER BLVL	1
13~	300113-8	FRONT PANEL ASSY. (64864-010)	1
14~	300113-15	FRONT PANEL ASSY. (64864-013/014)	1
15~	300113-16	FRONT PANEL ASSY. (64868-016/017)	1
16~	300113-17	FRONT PANEL ASSY. (60864-018)	1
17#	351810-5	GEN END, UCI224G, WDG#311 (64868-016/017/018)	1
18#	351810-41	GEN.END, UCI224F, WDG#06 (64864-013/014)	1
19#	351810-51	GEN END, UCI224G, WDG#06 (64864-010)	1
20	465-000	.3125-18X.875 HHB	4
21	481-000	LOCK .375 SPLIT	4
22	484-000	LOCKWASHER #10 SPLIT	4
23	52077-000	DECAL-CAUTION OIL LEVEL	1
24	52464-002	RHMS 10-32X1.5	4
25	526-000 *	WASHER ID .375 OD .890	20
26	53113-000	WINCO DECAL	2
27	62825-004	SPACER	8
28	6372-000	#10-32 HEX NUT	4
29	63966-007	KIT, NAMEPLATE WINCO PTO	1
30*	91099-003	GEARCASE ASSY. 1000RPM (64864-010-014, 64868-016/017/018)	1
31*	91099-005	GEARCASE ASSY. 540RPM (64864-013)	1
32	91369-000	DECAL- 540 RPM	1
33	91658-015	.375-16X4 HHB	4
34	91861-006	PLUG KIT	1
35	92495-000	M6 X 1.0 16GA TINNEMAN NUT	12
36	93680-004	HHCS 5/8-11X5 GR. 8	1
37	96002-040	M8-1.25X40MM	12
38	97436-008	.325IN LOCKWASHER	12
39	AVR SX460	AVR DECAL	1
40	S7606	PTO GUARD	1
41	Z25272	DECAL, LOAD CONNECTIONS - 1PH 4 CAVITY	1
42	Z2553	DECAL-OPERATOR INSTRUCTIONS	1
43	Z2568	DECAL-DANGER PTO	1
44	15715-101	DECAL KIT, PACKAGING, SMALL CRATES	1

GENERATOR INFORMATION

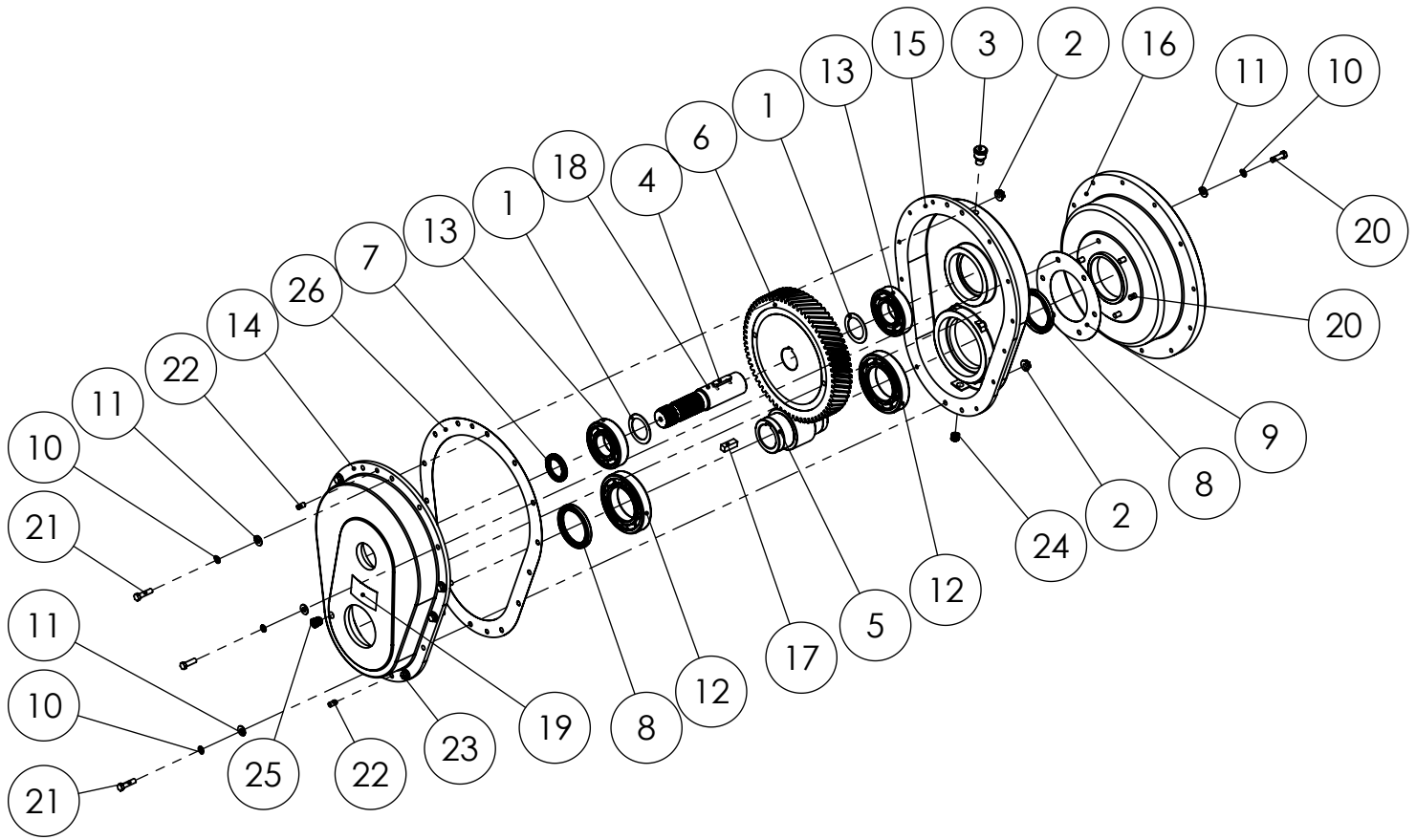


EXPECTED RESISTANCE (Ω) @ 22C			
MODEL	UCI224F 06	UCI224G 311	UCI224G 06
STATOR WINDING (PER PHASE SERIES CONNECTED)	0.024	0.055	0.019
ROTOR WINDING	0.83	0.94	0.94
EXCITER STATOR	20	20	20
EXCITER ROTOR (PER PHASE)	0.078	0.078	0.078
POSITIVE SEQUENCE (R1)	0.07	0.07	0.09
NEGATIVE SEQUENCE (R2)	0.13	0.12	0.17
ZERO SEQUENCE (R0)	0.10	0.09	0.12

ITEM	DESCRIPTION	64864-01X	64864-01X	64864-010
-	COMPLETE GENERATOR END	351810-41	351810-5	351810-51
-	STAMFORD MODEL	UCI224F	UCI224G	UCI224G
-	WINDING	06	311	06
24	AVR AS440	350818-2	350818-2	350818-2

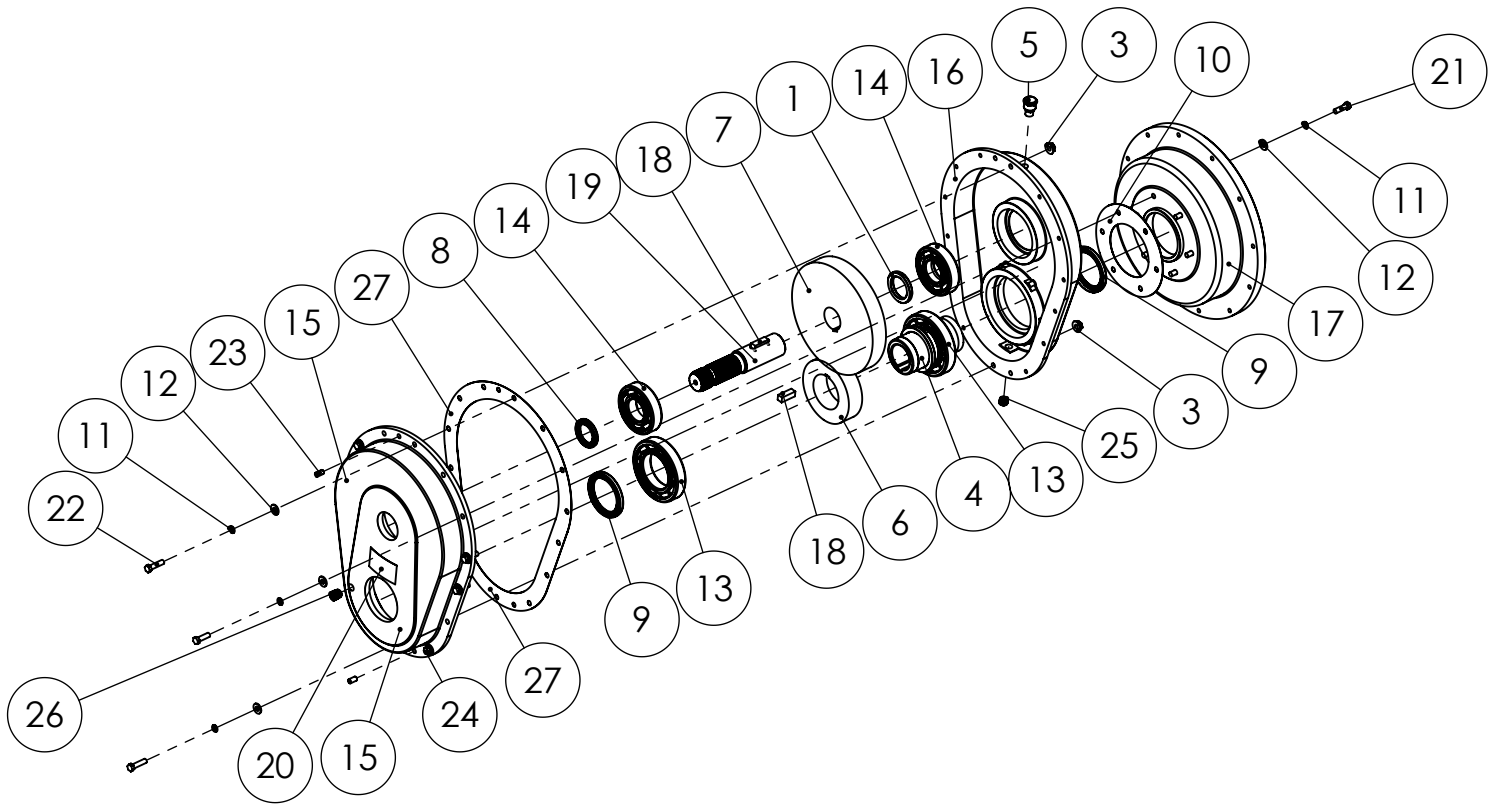
For additional parts support, contact WINCO service

GEARCASE ASSEMBLY (540 RPM)



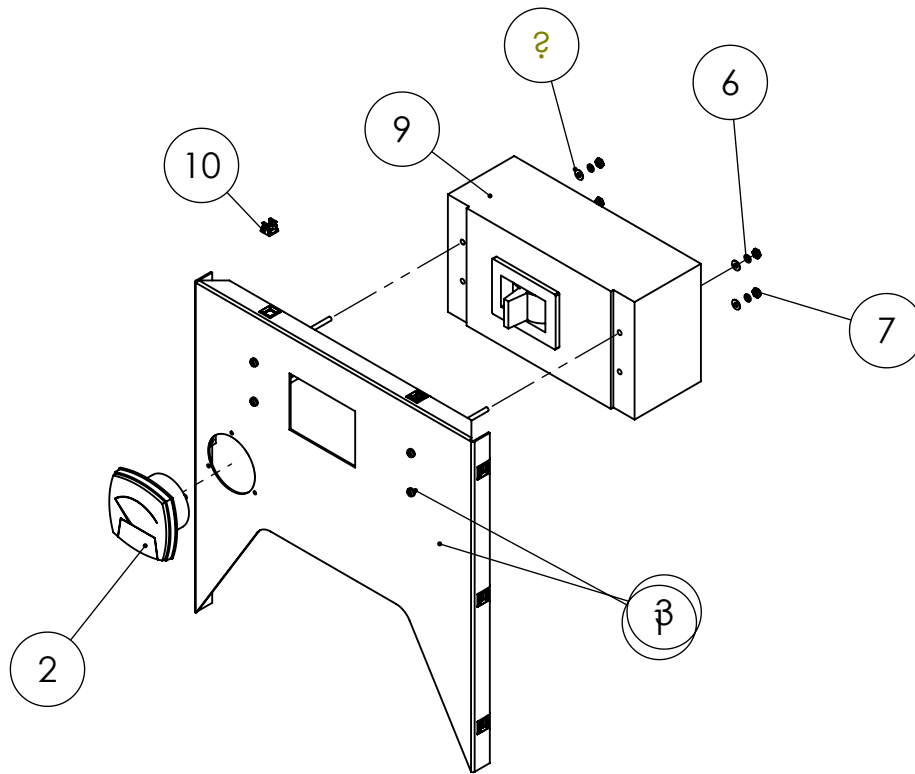
ITEM NO.	PART NUMBER	DESCRIPTION	QTY.
1	15566-003 SMALL BEARING SPACER	SMALL SPACER	2
2	16250-000	.375-16 FLANGE NUT	2
3	40716-000	BREATHER ASSEMBLY	1
4	44208-004	MACHINE KEY 1/2 X 1/2 X 2 ROUNDED ENDS	1
5	46547-004 20T LH HELICAL GEAR	20T LH HELICAL GEAR	1
6	46548-004 66T RH HELICAL GEAR	66T RH HELICAL GEAR	1
7	46912-001	1.75X2.50X.313 TB-H SHAFT SEAL	1
8	46912-002	3.125X4.003X.375 TB-H SHAFT SEAL	2
9	46912-004	LARGE RED GEARBOX GASKET	1
10	481-000	LOCK .375 SPLIT	16
11	526-000 *	WASHER ID .375 OD .890	16
12	54665-001	6216 BEARING	2
13	54665-002	6310 BEARING	2
14	91099-001	GEAR CASE FRONT COVER	1
15	91099-002	GEAR CASE BACK COVER	1
16	91100-002 (GEAR CASE SUPPORT)	GEAR CASE SUPORT 17IN	1
17	91123-002	MACHINE KEY 1/2 X 1/2 X 1-1/2	1
18	91344-001	INPUT SHAFT, 1-3/4 20 SPLINE	1
19	91369-000	DECAL- 540 RPM	1
20	91658-002*	HHCS 3/8-16X1.25	6
21	91658-003	.375-16X1.5 HHB	2
22	95934-000	DOWEL PIN 3/8X3/4	2
23	96000-003	HHCS 3/8-16 X 1.25 BLACK	8
24	97269-001	ZINC SOCKET HEAD PIPE PLUG .375NPT - MAGNETIC	1
25	97269-002	.375-18 NPT GLASS SIGHT	1
26	97986-005	GEAR CASE GASKET	1

GEARCASE ASSEMBLY (1000 RPM)



ITEM NO.	PART NUMBER	DESCRIPTION	QTY.
1	15566-001	SMALL SPACER	2
2	15566-002	LARGE SPACER	2
3	16250-000	.375-16 FLANGE NUT	2
4	20128-001	SLEEVE	1
5	40716-000	BREATHER ASSEMBLY	1
6	46547-003	30T LH HELICAL PINION	1
7	46548-003	54T RH HELICAL GEAR	1
8	46912-001	1.75X2.50X.313 TB-H SHAFT SEAL	1
9	46912-002	3.125X4.003X.375 TB-H SHAFT SEAL	2
10	46912-004	LARGE RED GEARBOX GASKET	1
11	481-000	LOCK .375 SPLIT	16
12	526-000 *	WASHER ID .375 OD .890	16
13	54665-001	6216 BEARING	2
14	54665-002	6310 BEARING	2
15	91099-001	GEAR CASE FRONT COVER	1
16	91099-002	GEAR CASE BACK COVER	1
17	91100-002 (GEAR CASE SUPPORT)	GEAR CASE SUPORT 17IN	1
18	91123-002	MACHINE KEY 1/2 X 1/2 X 1-1/2	2
19	91344-001	INPUT SHAFT, 1-3/4 20 SPLINE	1
20	91369-001	DECAL- 1000 RPM	1
21	91658-002*	HHCS 3/8-16X1.25	6
22	91658-003	.375-16X1.5 HHB	2
23	95934-000	DOWEL PIN 3/8X3/4	2
24	96000-003	HHCS 3/8-16 X 1.25 BLACK	8
25	97269-001	ZINC SOCKET HEAD PIPE PLUG .375NPT - MAGNETIC	1
26	97269-002	.375-18 NPT GLASS SIGHT	1
27	97986-005	GEAR CASE GASKET	1

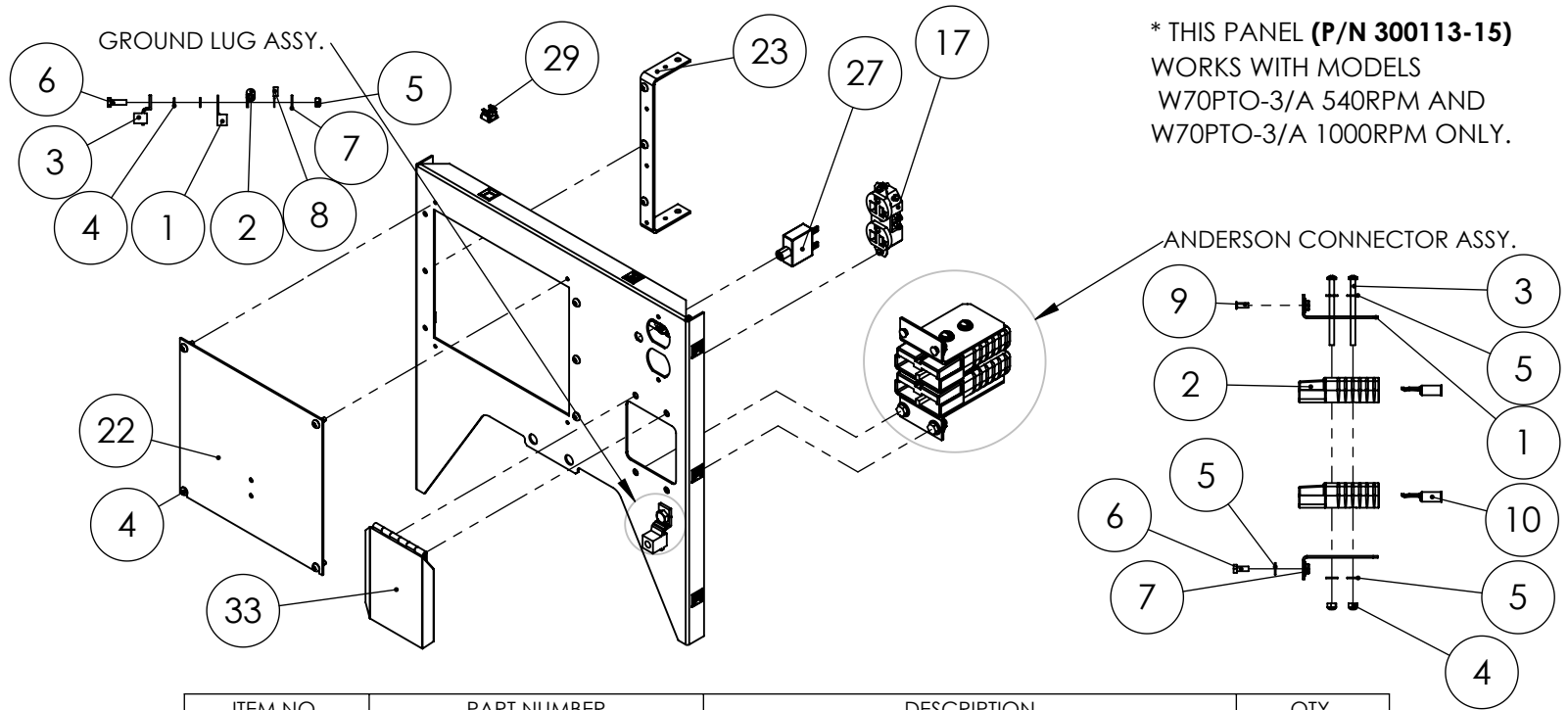
MLCB PANEL ASSEMBLY



* THIS PANEL (P/N 300101-21)
WORKS WITH MODELS
W70PTO-3/A 540RPM AND
W70PTO-3/A 1000RPM ONLY.

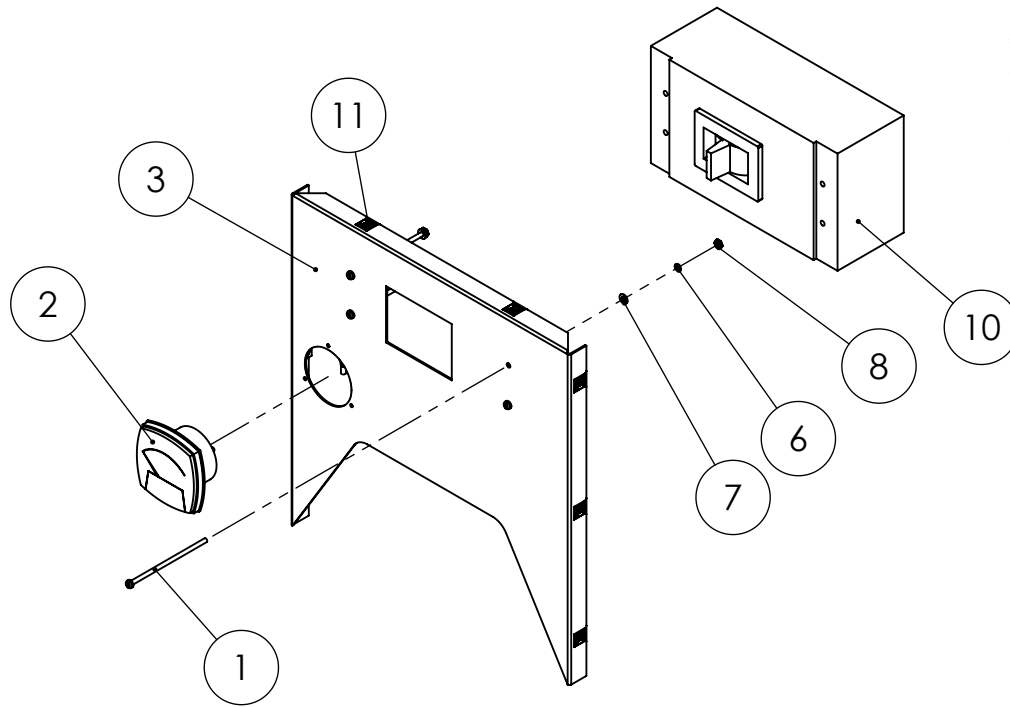
ITEM NO.	PART NUMBER	DESCRIPTION	QTY.
1	24864-000	RHMS 10-32 X 4.5	4
2	300102	FREQUENCY METER, 55-65HZ, 120V	1
3	350028-1	PANEL, MLB	1
4	350966-1	TERMINAL, RING, 1/0AWG, 1/2" STUD	2
5	4160-000	TERMINAL, RING, 16-14AWG, 1/4 STUD	2
6	484-000	LOCKWASHER #10 SPLIT	4
7	6372-000	#10-32 HEX NUT	4
8	7547-000	TERMINAL RING 16/14AWG .375 STUD	2
9	81094-708	300A 2POLE 240VOLT CIRCUIT BREAKER	1
10	92495-000	M6 X 1.0 16GA TINNED NUT	8
11	511-000	#8 FLATWASHER	4

RECEPTACLE PANEL ASSEMBLY



ITEM NO.	PART NUMBER	DESCRIPTION	QTY.
1	1116-000	HHCS .3125-18X1	1
2	16248-000	.25-20 FLANGE	4
3	20531-000	TERMINAL RING 12-10AWG 5/16 STUD	1
4	21698-001	TORX PAN HEAD SCREW #10	10
5	21850-002	TERMINAL HOOK 16-14 AWG #10STUD	3
6	22989-000	#6 LOCKWASHER	2
7	300112-9	FRONT PANEL	1
8	300117	SUPPORT CONNECTOR	2
9	350966-1	TERMINAL, RING, 1/0AWG, 1/2" STUD	2
10	394-000	NUT HEX #6-32	2
11	425-000	#6 FLATWASHER	2
12	47136-000	HEX NUT .3125-18 NYLOK	1
13	47517-000	.25-20 NYLOK	2
14	476-000	.25-20X.625 HHB	2
15	48043-000	TERMINAL GROUND	1
16	48602-001	TERMINAL FEMALE 16/14AWG .250	2
17	50766-000	NEMA 5-20R DUPLEX RECEPTACLE	1
18	512-000	.25 WASHER	6
19	52224-000	LOCK WASHER 5/16 EXTERNAL TOOTH	2
20	526-000 *	WASHER ID .375 OD .890	1
21	61993-001	RHMS 1/4-20 X 3.5	2
22	64892-000	COVER PLATE	1
23	64893-000	REGULATOR BRACKET	2
24	7547-000	TERMINAL RING 16/14AWG .375 STUD	2
25	7792-000	BZ RHMS 6-32X.5	2
26	90344-000	TERM., RING, 2AWG, 3/8 STUD	1
27	91286-001	CIRCUIT BREAKER, 20A, 1 PL	1
28	91321-002	TERMINAL RING 2 GA 1/2 STUD	3
29	92495-000	M6 X 1.0 16GA TINNEMAN NUT	8
30	94980-001	THREAD STUD .25-20X.625	2
31	EE2331	HOUSING 350A	2
32	EE23325	1/0 CONTACT	4
33	G7213-1	WELDMENT COVER ASSEMBLY	1

MLCB PANEL ASSEMBLY

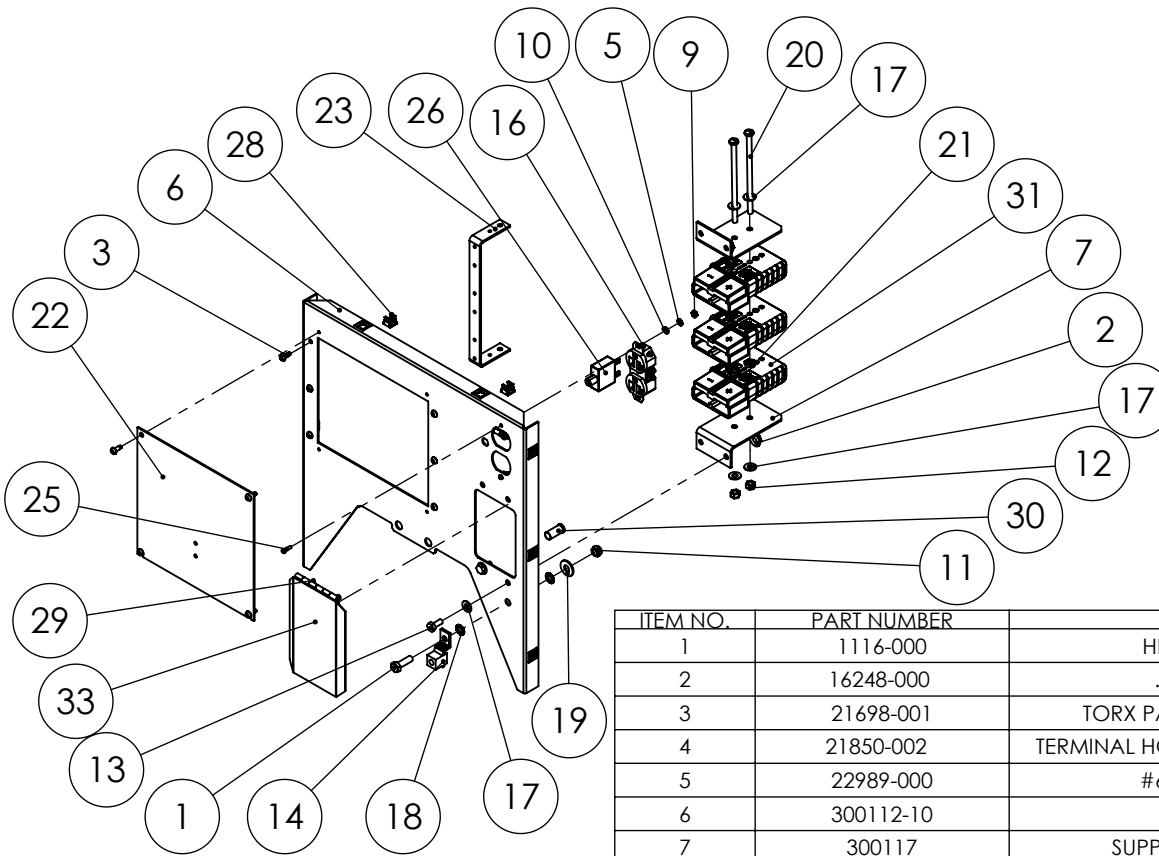


* THIS PANEL (P/N 300101-22)
WORKS WITH MODELS
W75PTOS-17/A AND
W75PTOS-4/A ONLY.

ITEM NO.	PART NUMBER	DESCRIPTION	QTY.
1	24864-000	RHMS 10-32 X 4.5	4
2	300102	FREQUENCY METER, 55-65HZ, 120V	1
3	350028-1	PANEL, MLB	1
4	350966-1	TERMINAL, RING, 1/0AWG, 1/2" STUD	3
5	4160-000	TERMINAL, RING, 16-14AWG, 1/4 STUD	2
6	484-000	LOCKWASHER #10 SPLIT	4
7	598-000	#10 WASHER	4
8	6372-000	#10-32 HEX NUT	4
9	7547-001	TERMINAL RING 16/14AWG 3/8 STUD	2
10	81096-007	250A 3PL BREAKER	1
11	92495-000	M6 X 1.0 16GA TINNEMAN NUT	8

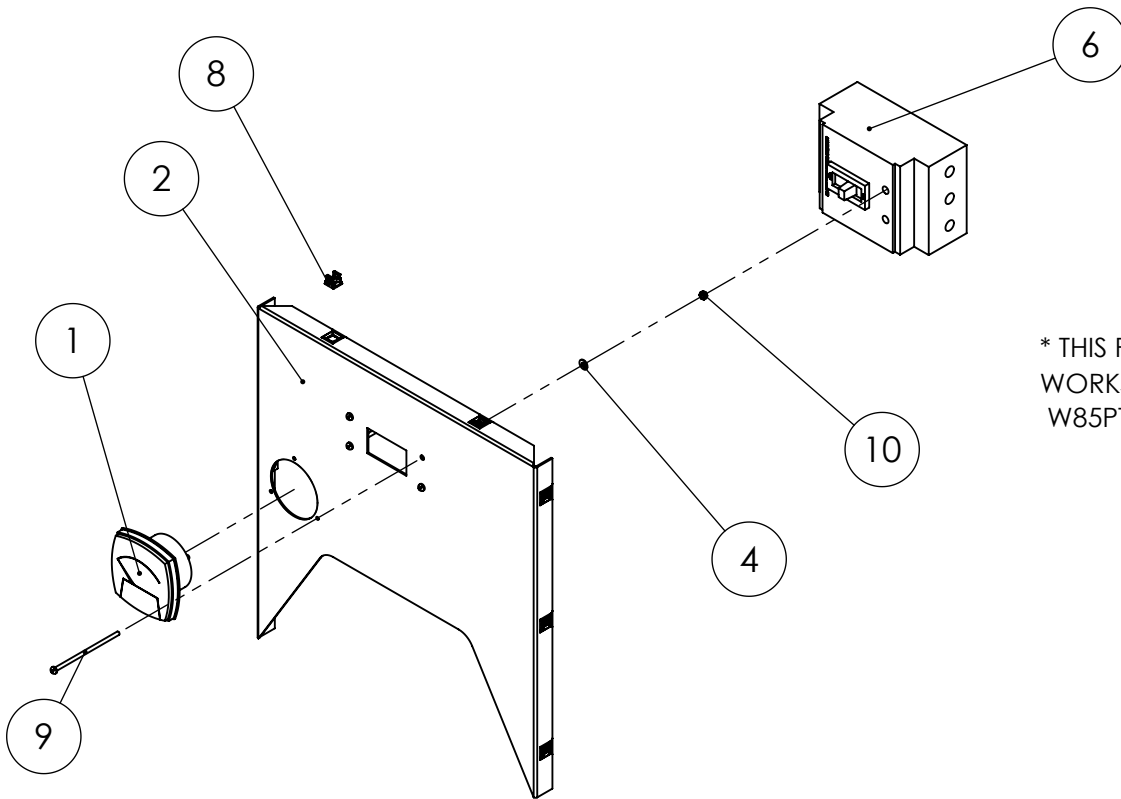
RECEPTACLE PANEL ASSEMBLY

* THIS PANEL (P/N 300113-16)
WORKS WITH MODELS
W75PTOS-17/A AND
W75PTOS-4/A ONLY.



ITEM NO.	PART NUMBER	DESCRIPTION	QTY.
1	1116-000	HHCS .3125-18X1	1
2	16248-000	.25-20 FLANGE	4
3	21698-001	TORX PAN HEAD SCREW #10	10
4	21850-002	TERMINAL HOOK 16-14 AWG #10STUD	3
5	22989-000	#6 LOCKWASHER	2
6	300112-10	FRONT PANEL	1
7	300117	SUPPORT CONNECTOR	2
8	350966-1	TERMINAL, RING, 1/0AWG, 1/2" STUD	1
9	394-000	NUT HEX #6-32	2
10	425-000	#6 FLATWASHER	2
11	47136-000	HEX NUT .3125-18 NYLON	1
12	47517-000	.25-20 NYLON	2
13	476-000	.25-20X.625 HHB	2
14	48043-000	TERMINAL GROUND	1
15	48602-001	TERMINAL FEMALE 16/14AWG .250	2
16	50766-000	NEMA 5-20R DUPLEX RECEPTACLE	1
17	512-000	.25 WASHER	6
18	52224-000	LOCK WASHER 5/16 EXTERNAL TOOTH	2
19	526-000 *	WASHER ID .375 OD .890	1
20	61993-003	RHMS 1/4-20x5	2
21	638-000	HEX NUT, .25IN	4
22	64892-000	COVER PLATE	1
23	64893-000	REGULATOR BRACKET	2
24	7547-000	TERMINAL RING 16/14AWG .375 STUD	3
25	7792-000	BZ RHMS 6-32X.5	2
26	91286-001	CIRCUIT BREAKER, 20A, 1 PL	1
27	91321-002	TERMINAL RING 2 GA 1/2 STUD	3
28	92495-000	M6 X 1.0 16GA TINNERMAN NUT	8
29	94980-001	THREAD STUD .25-20X.625	2
30	EE23301	#1 BUSHING	6
31	EE2331	HOUSING 350A	3
32	EE23325	1/0 CONTACT	6
33	G72132	WELDMENT COVER ASSEMBLY	1

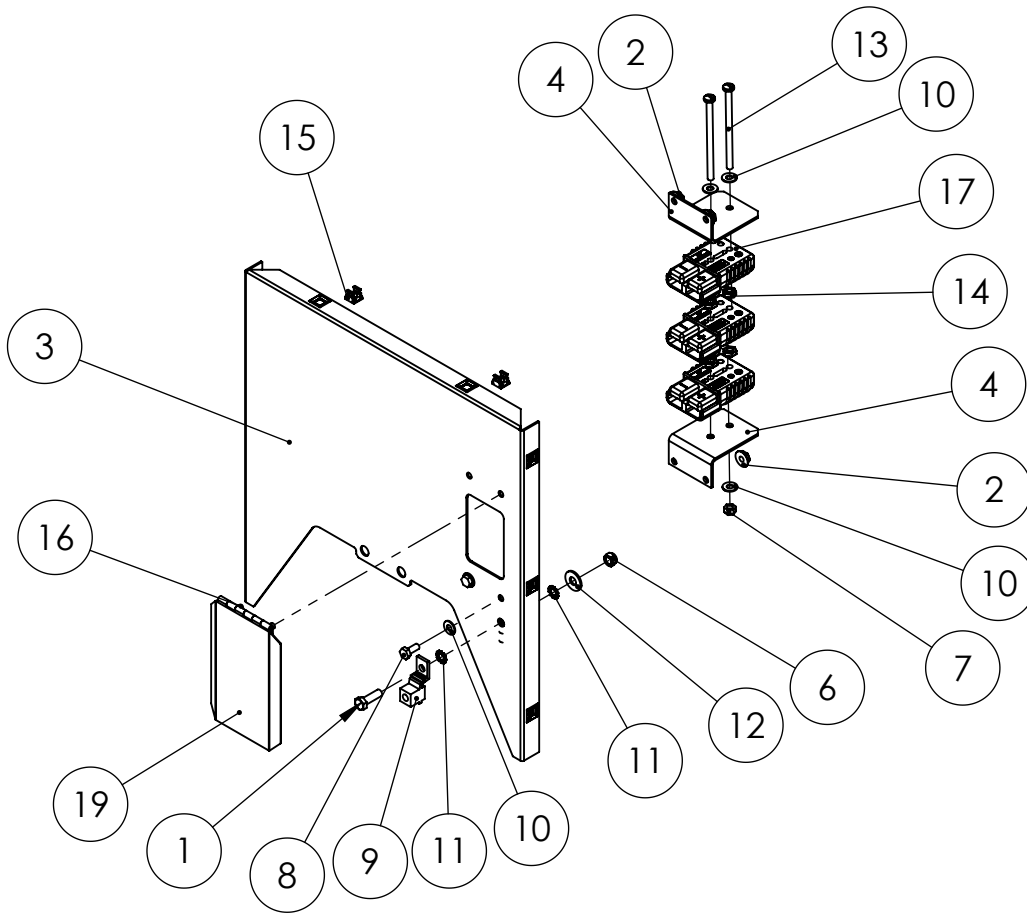
MLCB PANEL ASSEMBLY



* THIS PANEL (P/N 300101-23)
WORKS WITH MODEL
W85PTOS-18/A ONLY.

ITEM NO.	PART NUMBER	DESCRIPTION	QTY.
1	300102	FREQUENCY METER, 55-65HZ, 120V	1
2	350028-4	PANEL, MLB	1
3	4160-000	TERMINAL, RING, 16-14AWG, 1/4 STUD	2
4	511-000	#8 FLATWASHER	4
5	7547-001	TERMINAL RING 16/14AWG 3/8 STUD	2
6	81096-003	150AMP 3POLE 240VOLT	1
7	91540-001	TERM RING 6 AWG .500 STUD	3
8	92495-000	M6 X 1.0 16GA TINNEMAN NUT	8
9	95832-001	RHMS 8-32 X 3.75	4
10	95985-000	#8-32 NYLOK HEX NUT	4

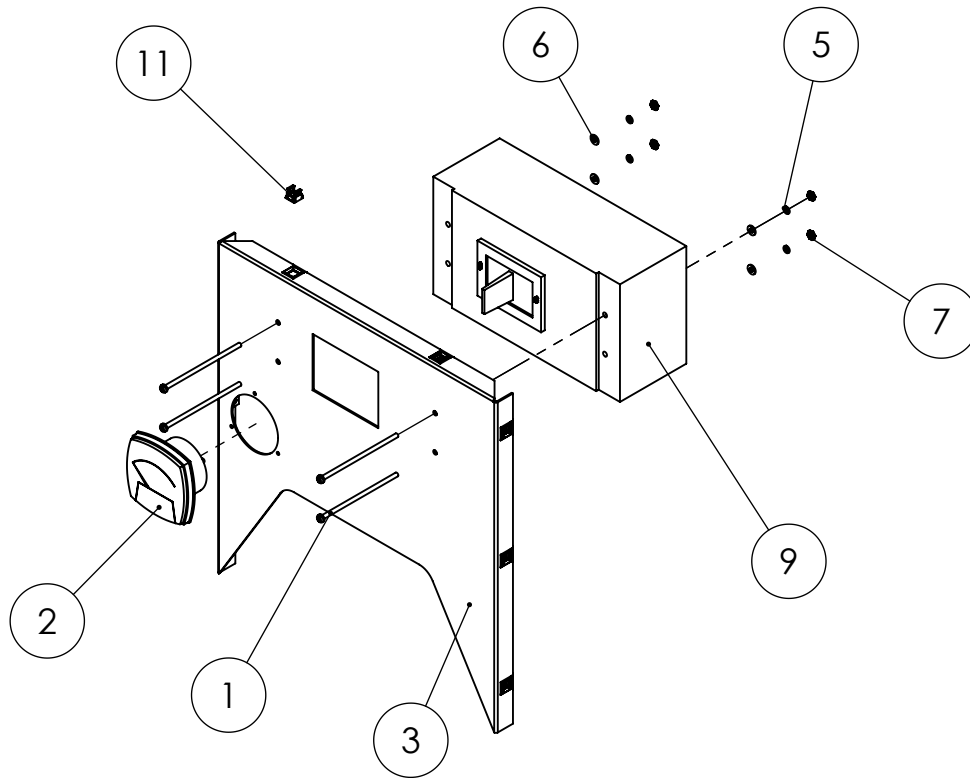
RECEPTACLE PANEL ASSEMBLY



* THIS PANEL (P/N 300113-17)
WORKS WITH MODEL
W85PTOS-18/A ONLY.

ITEM NO.	PART NUMBER	DESCRIPTION	QTY.
1	1116-000	HHCS .3125-18X1	1
2	16248-000	.25-20 FLANGE	4
3	300112-11	FRONT PANEL	1
4	300117-2	CONNECTOR SUPPORT	2
5	41316-000	TERMINAL, RING, 6AWG, 5/16 STUD	2
6	47136-000	HEX NUT .3125-18 NYLOK	1
7	47517-000	.25-20 NYLOK	2
8	476-000	.25-20X.625 HHB	2
9	48043-000	TERMINAL GROUND	1
10	512-000	.25 WASHER	6
11	52224-000	LOCK WASHER 5/16 EXTERNAL TOOTH	2
12	526-000 *	WASHER ID .375 OD .890	1
13	61993-002	RHMS .25-20 X 4.00	2
14	638-000	HEX NUT, .25IN	4
15	92495-000	M6 X 1.0 16GA TINNEMAN NUT	8
16	94980-001	THREAD STUD .25-20X.625	2
17	EE2327	HOUSING 175A	3
18	EE23283	#6 CONTACT	6
19	G72132	WELDMENT COVER ASSEMBLY	1

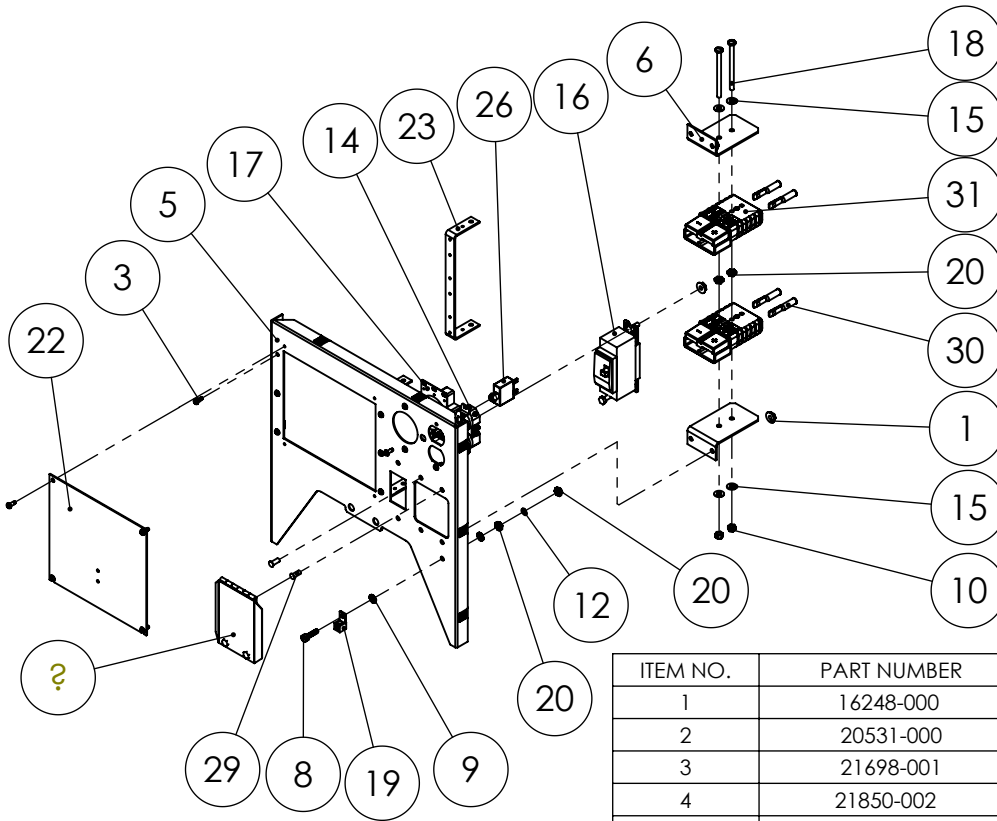
MLCB PANEL ASSEMBLY



* THIS PANEL (P/N 300101-14)
WORKS WITH MODEL
W85PTOS/B ONLY.

ITEM NO.	PART NUMBER	DESCRIPTION	QTY.
1	24864-000	RHMS 10-32 X 4.5	4
2	300102	FREQUENCY METER, 55-65HZ, 120V	1
3	350028-1	PANEL, MLB	1
4	4160-000	TERMINAL, RING, 16-14AWG, 1/4 STUD	2
5	484-000	LOCKWASHER #10 SPLIT	4
6	598-000	#10 WASHER	4
7	6372-000	#10-32 HEX NUT	4
8	7547-001	TERMINAL RING 16/14AWG 3/8 STUD	2
9	81094-709	CIR.BRK.350A-2PL-240V	1
10	90815-001	TERMINAL RING 2/0AWG 1/2" STUD	2
11	92495-000	M6 X 1.0 16GA TINNEMAN NUT	8

RECEPTACLE PANEL ASSEMBLY

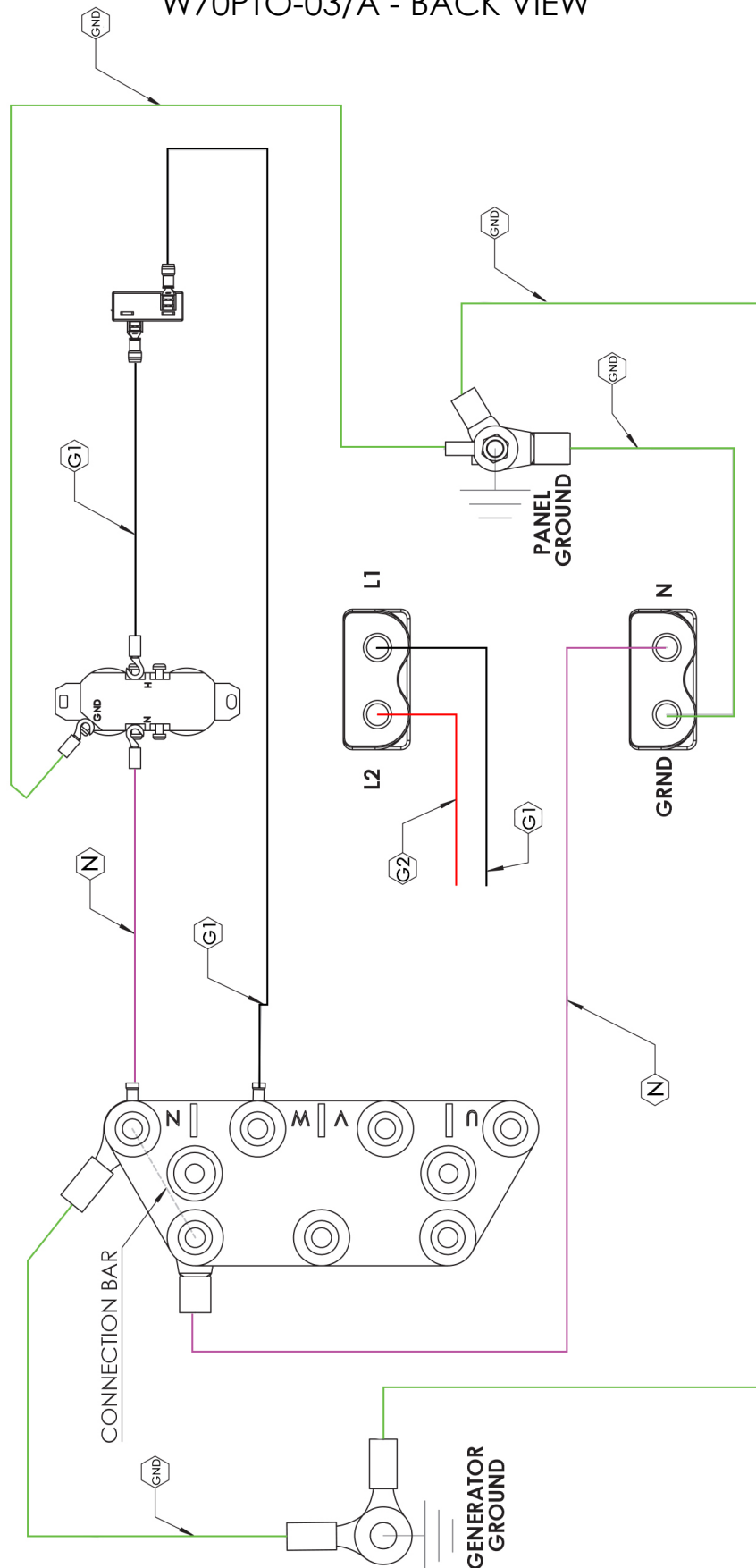


* THIS PANEL (P/N 300113-8)
WORKS WITH MODEL
W85PTOS/B ONLY.

ITEM NO.	PART NUMBER	DESCRIPTION	QTY.
1	16248-000	.25-20 FLANGE	6
2	20531-000	TERMINAL RING 12-10AWG 5/16 STUD	1
3	21698-001	TORX PAN HEAD SCREW #10	14
4	21850-002	TERMINAL HOOK 16-14 AWG #10STUD	2
5	300112-1	FRONT PANEL	1
6	300117	SUPPORT CONNECTOR	2
7	4160-000	TERMINAL, RING, 16-14AWG, 1/4 STUD	1
8	439-000	HHCS 1/4-20X1 GR2	1
9	4516-000	LOCKWASHER 1/4 EXTERNAL TOOTH	2
10	47517-000	.25-20 NYLOK	2
11	476-000	.25-20X.625 HHB	4
12	479-000	LOCK WASHER, .25" SPLIT	1
13	48602-001	TERMINAL FEMALE 16/14AWG .250	2
14	50766-000	NEMA 5-20R DUPLEX RECEPTACLE	1
15	512-000	.25 WASHER	6
16	57030-000	CIR. BRK. 50A-2PL-240V	1
17	57325-000	RECEPTACLE, NEMA 6-50R	1
18	61993-001	RHMS 1/4-20 X 3.5	2
19	63708-000	TERMINAL LUG	1
20	638-000	HEX NUT, .25IN	4
21	64045-002	MOUNTING STRAP	1
22	64892-000	COVER PLATE	1
23	64893-000	REGULATOR BRACKET	2
24	7547-000	TERMINAL RING 16/14AWG .375 STUD	1
25	90815-001	TERMINAL RING 2/0AWG 1/2" STUD	2
26	91286-001	CIRCUIT BREAKER, 20A, 1 PL	1
27	91321-002	TERMINAL RING 2 GA 1/2 STUD	4
28	92495-000	M6 X 1.0 16GA TINNERMAN NUT	8
29	94980-001	THREAD STUD .25-20X.625	2
30	EE23282	#2 CONTACT	4
31	EE2331	HOUSING 350A	2
32	G72131	COVER ASSEMBLY	1

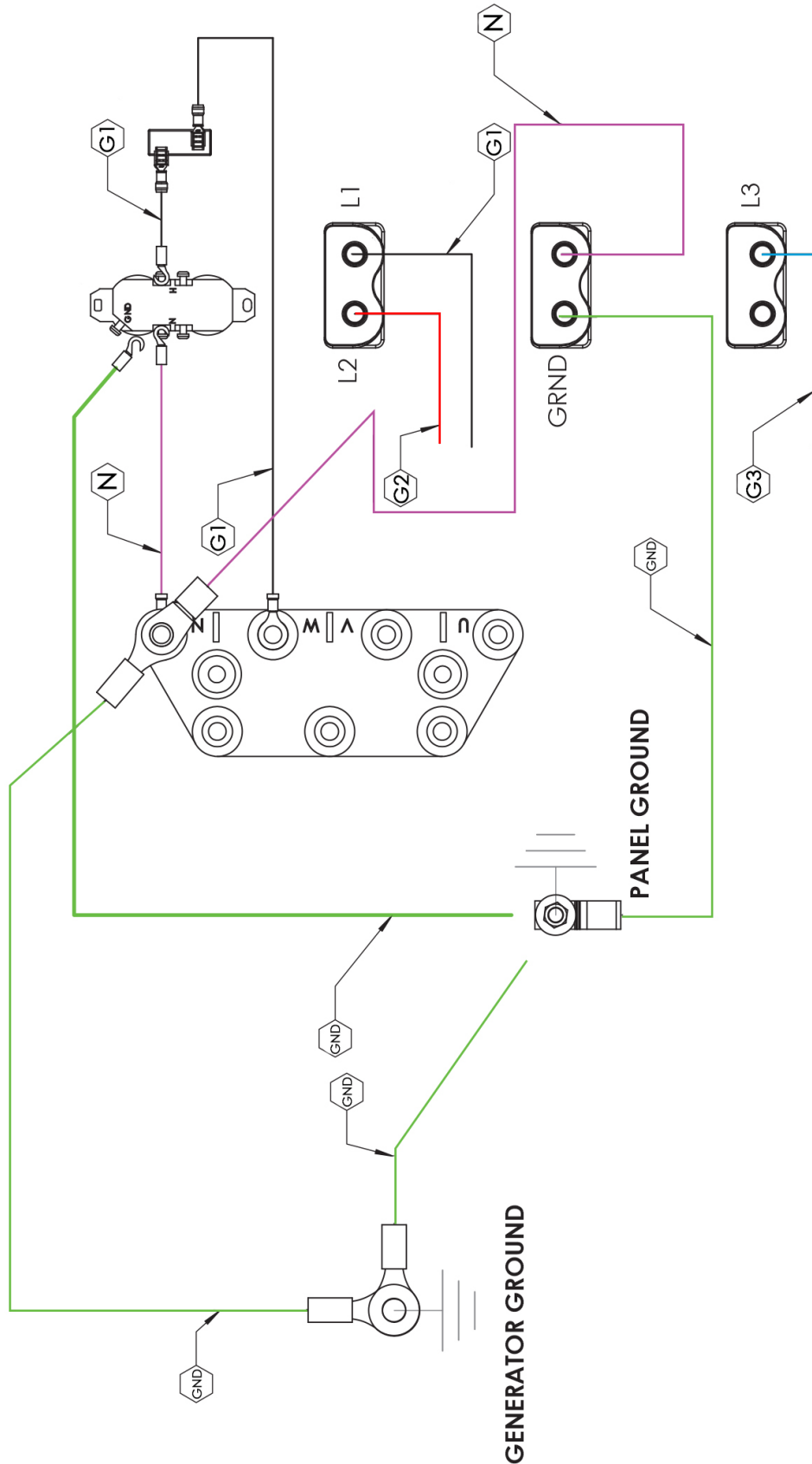
WIRING DIAGRAM

W70PTO-03/A - BACK VIEW



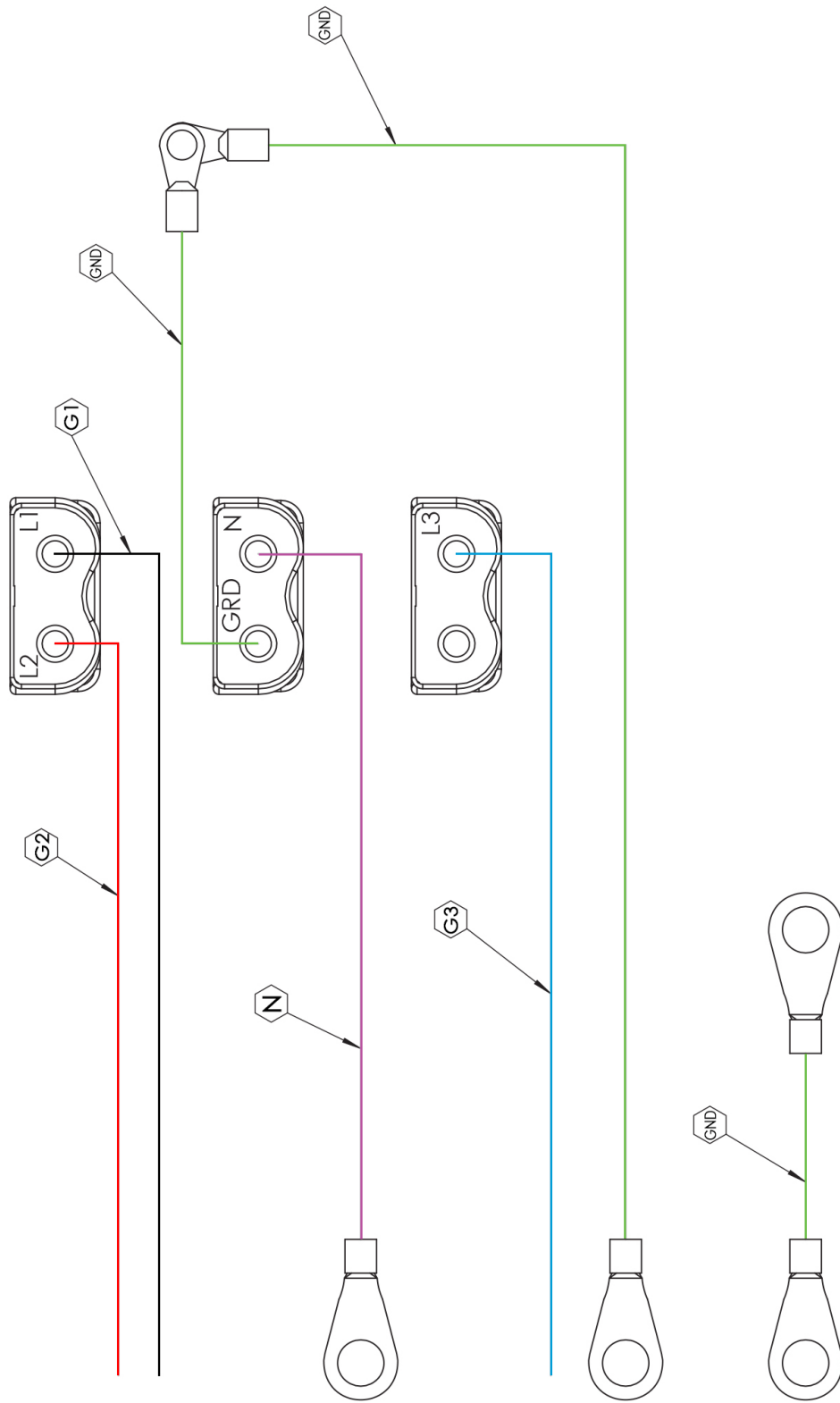
WIRING DIAGRAM CONT.

W75PTOS-4/A & W75PTOS-17/A - BACK VIEW



WIRING DIAGRAM CONT.

W85PTOS-18/A - BACK VIEW



WIRING DIAGRAM CONT.

W85PTOS/B - BACK VIEW

