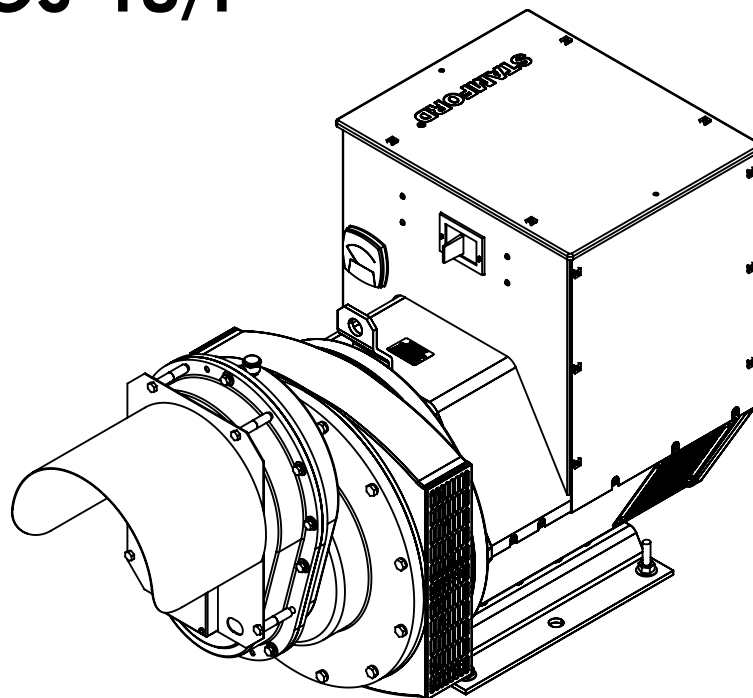


W100PTOS/F

W105PTOS-17/F

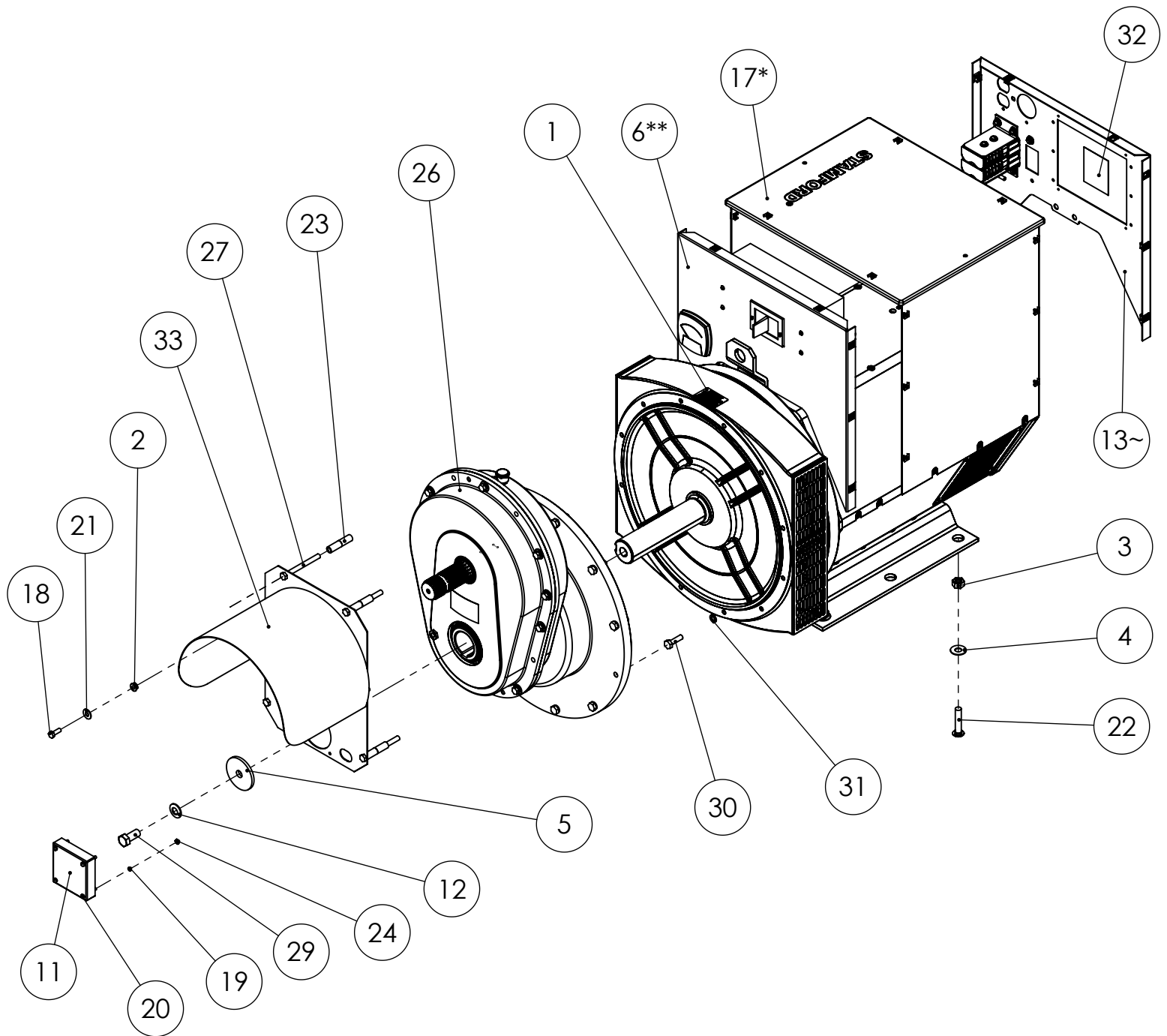
W105PTOS-4/F

W120PTOS-18/F



WINCO Service
Phone: 507-357-6831
Email: service@wincogen.com
www.wincogen.com

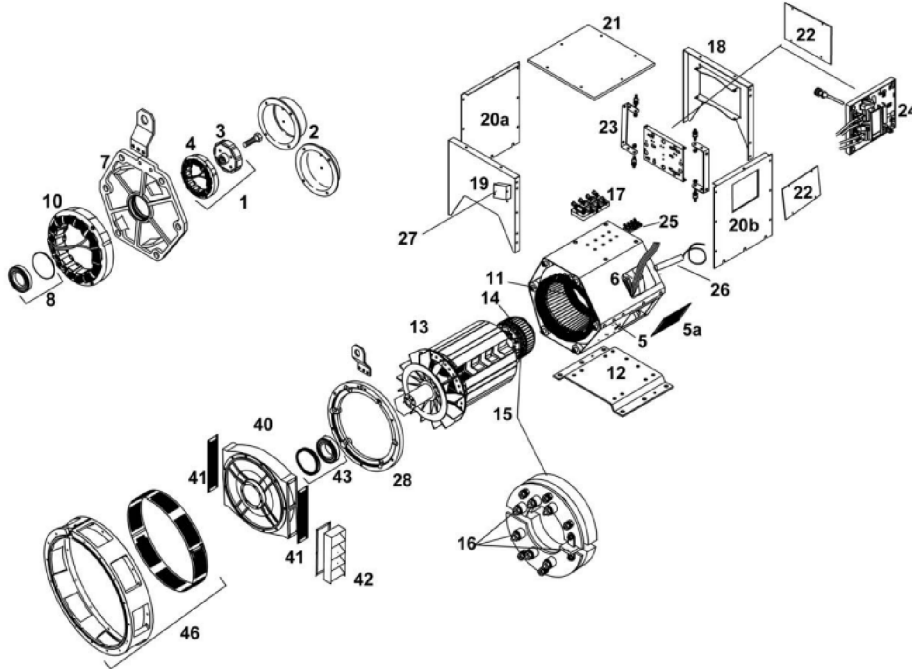
GENERAL ASSEMBLY PARTS LIST



GENERAL ASSEMBLY PARTS LIST

ITEM NO.	PART NUMBER	DESCRIPTION	QTY.
1	15209-036	PROP 65 WARNING DECAL	1
2	16249-000	.3125-18 FLANGE	4
3	1744-000	NUT HEX 1/2-13	2
4	21867-000	FLAT WASHER	2
5	300096	WASHER SHAFT	1
6**	300101-2	ASSEMBLY, MLB PANEL (64864-011)	1
7**	300101-4	ASSEMBLY, MLB PANEL (64868-011)	1
8**	300101-5	ASSEMBLY, MLB PANEL (64868-010)	1
9**	300101-19	ASSEMBLY, MLB PANEL (64868-012)	1
10	300104	SUPPORT, PTO GUARD	1
11	300105	GUARD, LOWER SHAFT	1
12	300106-1	WASHER BLVL	1
13~	300113-9	ASSEMBLY, FRONT PANEL (64864-011)	1
14~	300113-10	ASSEMBLY, FRONT PANEL (64868-010-011)	1
15~	300113-11	ASSEMBLY, FRONT PANEL (64868-012)	1
16*	351811-2	GEN. END, UCI274D (64868-010/011/012)	1
17*	351811-11	GEN.END, UCI274C (64864-011)	1
18	465-000	.3125-18X.875 HHB	4
19	484-000	LOCKWASHER #10 SPLIT	4
20	52464-002	RHMS 10-32X1.5	4
21	526-000	FLAT WASHER 5/16_3/8	4
22	61603-005	BOLT CRG 1/2-13 X 2.5" ZINC	2
23	62825-004	SPACER	8
24	6372-000	#10-32 HEX NUT	4
25	64894-001	NAMEPLATE AND DECAL INSTALL	1
26	91099-004	GEARCASE ASSEMBLY	1
27	91658-015	.375X16X4 HHB	4
28	92495-000	M6 X 1.0 16GA TINNEMAN NUT	16
29	93680-004	HHCS 5/8-11X5 GR. 8	1
30	94282-035	M10-1.5X35MM	12
31	97436-010	M10 LOCKWASHER	12
32	AVR SX460	AVR DECAL	1
33	S7606	PTO GUARD	1

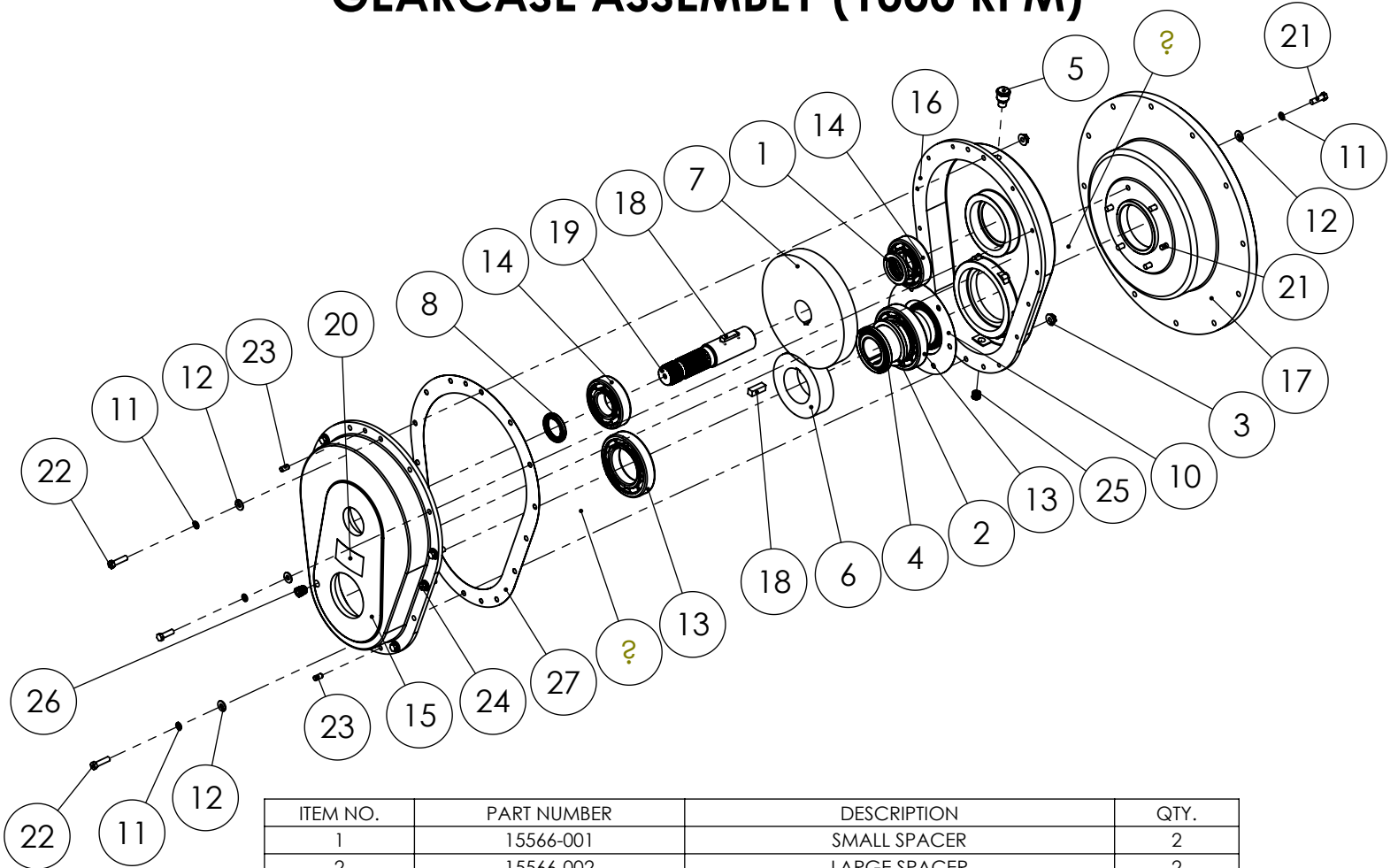
GENERATOR INFORMATION



EXPECTED RESISTANCE (Ω) @ 22C		
MODEL	UCI274C 06	UCI274D 311
STATOR WINDING (PER PHASE SERIES CONNECTED)	0.022	0.044
ROTOR WINDING	1.12	1.26
EXCITER STATOR	20	20
EXCITER ROTOR (PER PHASE)	0.091	0.091
POSITIVE SEQUENCE (R1)	0.08	0.06
NEGATIVE SEQUENCE (R2)	0.17	0.14
ZERO SEQUENCE (R0)	0.11	0.08

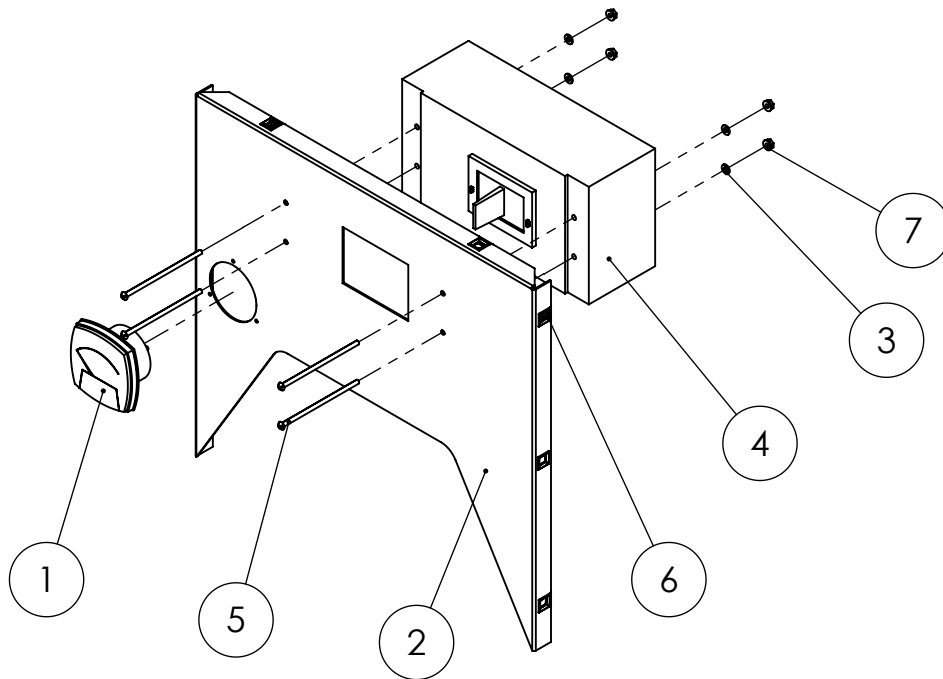
ITEM	DESCRIPTION	64864-011	64868-01X
-	COMPLETE GENERATOR END	351811-11	351811-2
-	STAMFORD MODEL	UCI274C	UCI274D
-	WINDING	06	311
24	AVR AS440	350818-2	350818-2
For additional parts support, contact WINCO service			

GEARCASE ASSEMBLY (1000 RPM)



ITEM NO.	PART NUMBER	DESCRIPTION	QTY.
1	15566-001	SMALL SPACER	2
2	15566-002	LARGE SPACER	2
3	16250-000	.375-16 FLANGE NUT	2
4	20128-001	SLEEVE	1
5	40716-000	BREATHER ASSEMBLY	1
6	46547-003	30T LH HELICAL PINION	1
7	46548-003	54T RH HELICAL GEAR	1
8	46912-001	1.75X2.50X.313 TB-H SHAFT SEAL	1
9	46912-002	3.125X4.003X.375 TB-H SHAFT SEAL	2
10	46912-004	LARGE RED GEARBOX GASKET	1
11	481-000	LOCK .375 SPLIT	16
12	526-000 *	WASHER ID .375 OD .890	16
13	54665-001	6216 BEARING	2
14	54665-002	6310 BEARING	2
15	91099-001	GEAR CASE FRONT COVER	1
16	91099-002	GEAR CASE BACK COVER	1
17	91100-003	GEAR CASE SUPPORT 21IN	1
18	91123-002	MACHINE KEY 1/2 X 1/2 X 1-1/2	2
19	91344-001	INPUT SHAFT, 1-3/4 20 SPLINE	1
20	91369-001	DECAL- 1000 RPM	1
21	91658-002*	HHCS 3/8-16X1.25	6
22	91658-003	.375-16X1.5 HHB	2
23	95934-000	DOWEL PIN 3/8X3/4	2
24	96000-003	HHCS 3/8-16 X 1.25 BLACK	8
25	97269-001	ZINC SOCKET HEAD PIPE PLUG .375NPT - MAGNETIC	1
26	97269-002	.375-18 NPT GLASS SIGHT	1
27	97986-005	GEAR CASE GASKET	1

MLCB PANEL ASSEMBLY

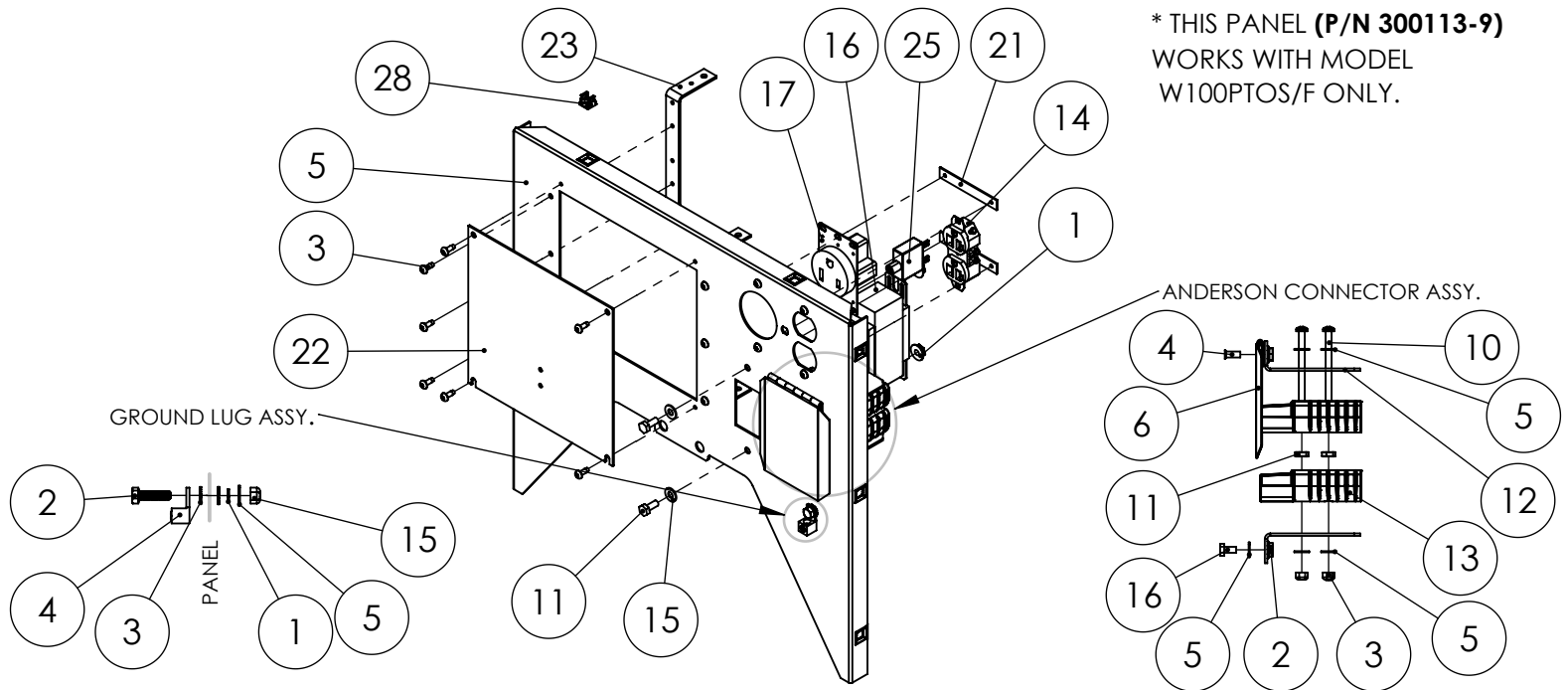


* THIS PANEL (P/N 300101-2)
WORKS WITH MODEL
W100PTOS/F ONLY.

ITEM NO.	PART NUMBER	DESCRIPTION	QTY.
1	300102	FREQUENCY METER, 55-65HZ, 120V	1
2	350098-1	PANEL, MLB	1
3	598-000	#10 WASHER	4
4	81094-710	CIR.BRK.400A-2PL-240V	1
5	91190-002	RHMS 10-24 X 4.5 ZINC	4
6	92495-000	M6 X 1.0 16GA TINNEMAN NUT	8
7	99671-000	NUT HEX #10-24 FLANGE LOCK ZINC	4

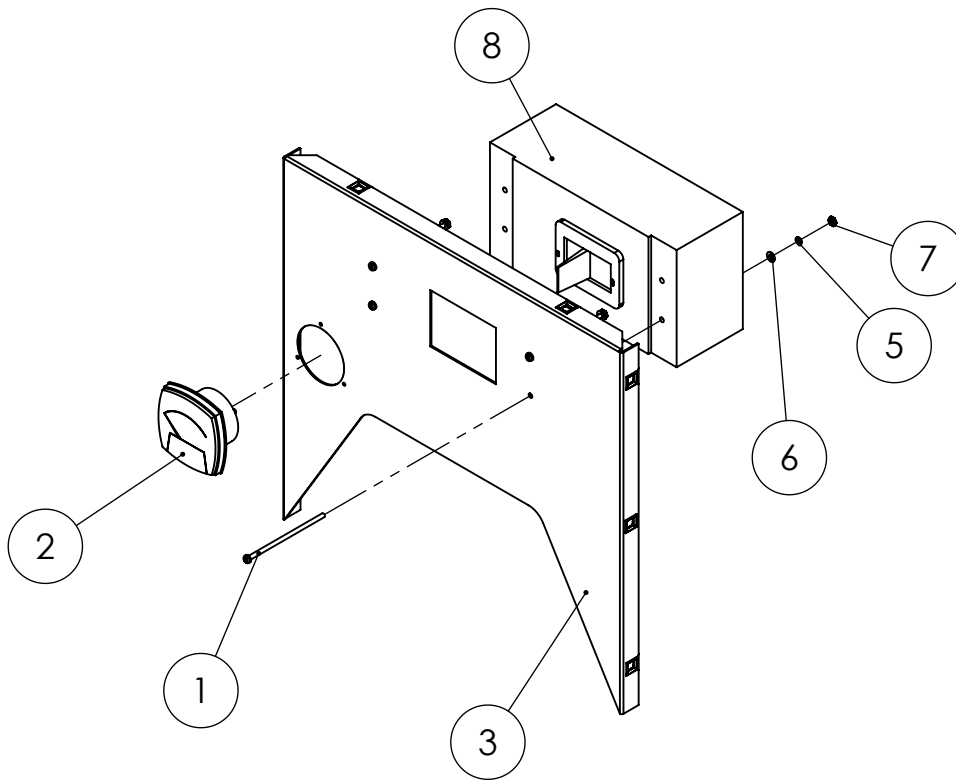
RECEPTACLE PANEL ASSEMBLY

* THIS PANEL (P/N 300113-9)
WORKS WITH MODEL
W100PTOS/F ONLY.



ITEM NO.	PART NUMBER	DESCRIPTION	QTY.
1	16248-000	.25-20 FLANGE	7
2	20531-000	TERMINAL RING 12-10AWG 5/16 STUD	1
3	21698-001	TORX PAN HEAD SCREW #10	14
4	21850-002	TERMINAL HOOK 16-14 AWG #10STUD	3
5	300111-1	PANEL, FRONT	1
6	300117	SUPPORT CONNECTOR	2
7	439-000	HHCS 1/4-20X1 GR2	1
8	4516-000	LOCKWASHER 1/4 EXTERNAL TOOTH	2
9	463-000	HEX BOLT .25-20X.50	2
10	47517-000	.25-20 NYLOK	3
11	476-000	.25-20X.625 HHB	3
12	479-000	LOCK WASHER, .25" SPLIT	1
13	48602-001	TERMINAL FEMALE 16/14AWG .250	2
14	50766-000	NEMA 5-20R DUPLEX RECEPTACLE	1
15	512-000	.25 WASHER	10
16	57030-000	CIR. BRK. 50A-2PL-240V	1
17	57325-000	RECEPTACLE, NEMA 6-50R	1
18	61993-001	RHMS 1/4-20 X 3.5	2
19	63708-000	TERMINAL LUG	1
20	638-000	HEX NUT, .25IN	2
21	64045-002	MOUNTING STRAP	2
22	64892-000	COVER PLATE	1
23	64893-000	REGULATOR BRACKET	2
24	7547-000	TERMINAL RING 16/14AWG .375 STUD	1
25	91286-001	CIRCUIT BREAKER, 20A, 1 PL	1
26	91321-002	TERMINAL RING 2 GA 1/2 STUD	3
27	91321-002	TERMINAL RING 2 GA 1/4 STUD	2
28	92495-000	M6 X 1.0 16GA TINNEMAN NUT	8
29	94980-001	THREAD STUD .25-20X.625	2
30	99823-001	TERMINAL LUG .500 3/0 WIRE	2
31	EE23341	350A HOUSING KIT	2
32	G7213-1	WELDMENT COVER ASSEMBLY	1

MLCB PANEL ASSEMBLY

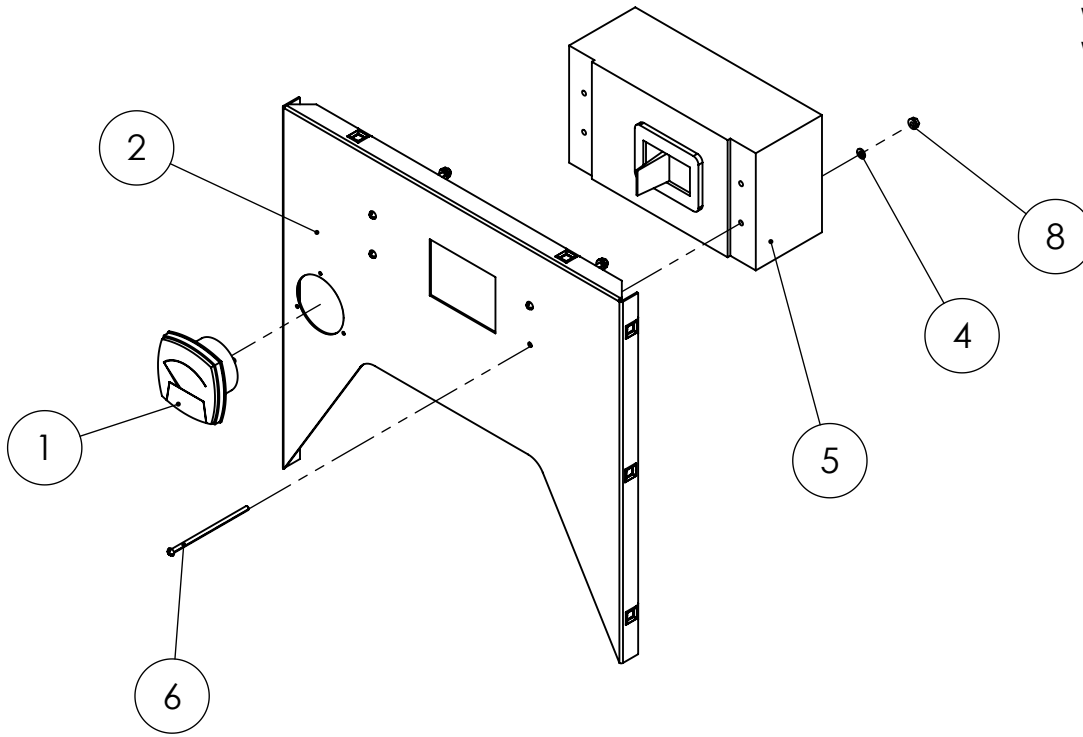


* THIS PANEL (P/N 300101-4)
WORKS WITH MODEL
W105PTOS-17/F ONLY.

ITEM NO.	PART NUMBER	DESCRIPTION	QTY.
1	24864-000	RHMS 10-32 X 4.5	4
2	300102	FREQUENCY METER, 55-65HZ, 120V	1
3	350098-1	PANEL, MLB	1
4	4160-000	TERMINAL, RING, 16-14AWG, 1/4 STUD	2
5	484-000	LOCKWASHER #10 SPLIT	4
6	598-000	#10 WASHER	4
7	6372-000	#10-32 HEX NUT	4
8	81096-708	CIR.BRK.300A-3PL-240V	1
9	91457-002	TERM. RING 16-14 AWG, 1/2" STUD	2

MLCB PANEL ASSEMBLY

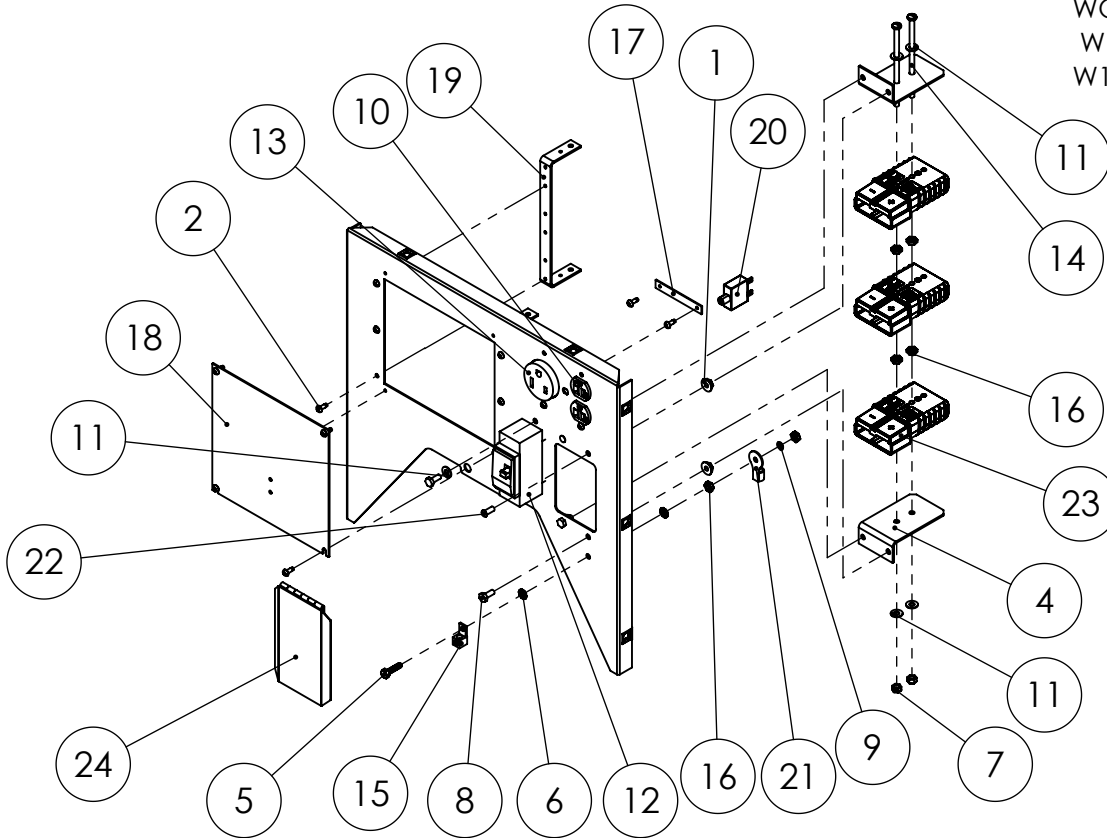
* THIS PANEL (P/N 300101-5)
WORKS WITH MODEL
W105PTOS-4/F ONLY.



ITEM NO.	PART NUMBER	DESCRIPTION	QTY.
1	300102	FREQUENCY METER, 55-65HZ, 120V	1
2	350098-1	PANEL, MLB	1
3	4160-000	TERMINAL, RING, 16-14AWG, 1/4 STUD	2
4	598-000	#10 WASHER	4
5	81096-709	CIR.BRK.350A-3PL-240V	1
6	91190-002	RHMS 10-24 X 4.5 ZINC	4
7	91457-002	TERM. RING 16-14 AWG, 1/2" STUD	2
8	99671-000	NUT HEX #10-24 FLANGE LOCK ZINC	4

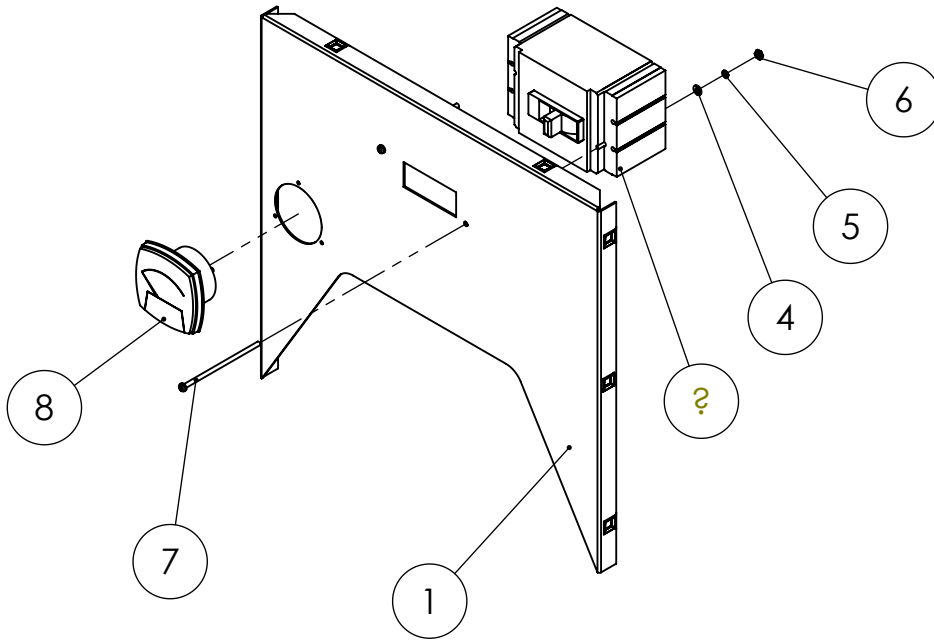
RECEPTACLE PANEL ASSEMBLY

* THIS PANEL (P/N 300113-10)
WORKS WITH MODELS
W105PTOS-17/F AND
W105PTOS-4/F ONLY.



ITEM NO.	PART NUMBER	DESCRIPTION	QTY.
1	16248-000	.25-20 FLANGE	6
2	21698-001	TORX PAN HEAD SCREW #10	14
3	300111-5	PANEL, FRONT	1
4	300117	SUPPORT CONNECTOR	2
5	439-000	HHCS 1/4-20X1 GR2	1
6	4516-000	LOCKWASHER 1/4 EXTERNAL TOOTH	2
7	47517-000	.25-20 NYLOK	2
8	476-000	.25-20X.625 HHB	4
9	479-000	LOCK WASHER, .25" SPLIT	1
10	50766-000	NEMA 5-20R DUPLEX RECEPTACLE	1
11	512-000	.25 WASHER	6
12	57030-000	CIR. BRK. 50A-2PL-240V	1
13	57325-000	RECEPTACLE, NEMA 6-50R	1
14	61993-003	RHMS 1/4-20x5	2
15	63708-000	TERMINAL LUG	1
16	638-000	HEX NUT, .25IN	6
17	64045-002	MOUNTING STRAP	2
18	64892-000	COVER PLATE	1
19	64893-000	REGULATOR BRACKET	2
20	91286-001	CIRCUIT BREAKER, 20A, 1 PL	1
21	91321-002	TERMINAL RING 2 GA 1/4 STUD	1
22	94980-001	THREAD STUD .25-20X.625	2
23	EE23341	350A HOUSING KIT	3
24	G72132	WELDMENT COVER ASSEMBLY	1

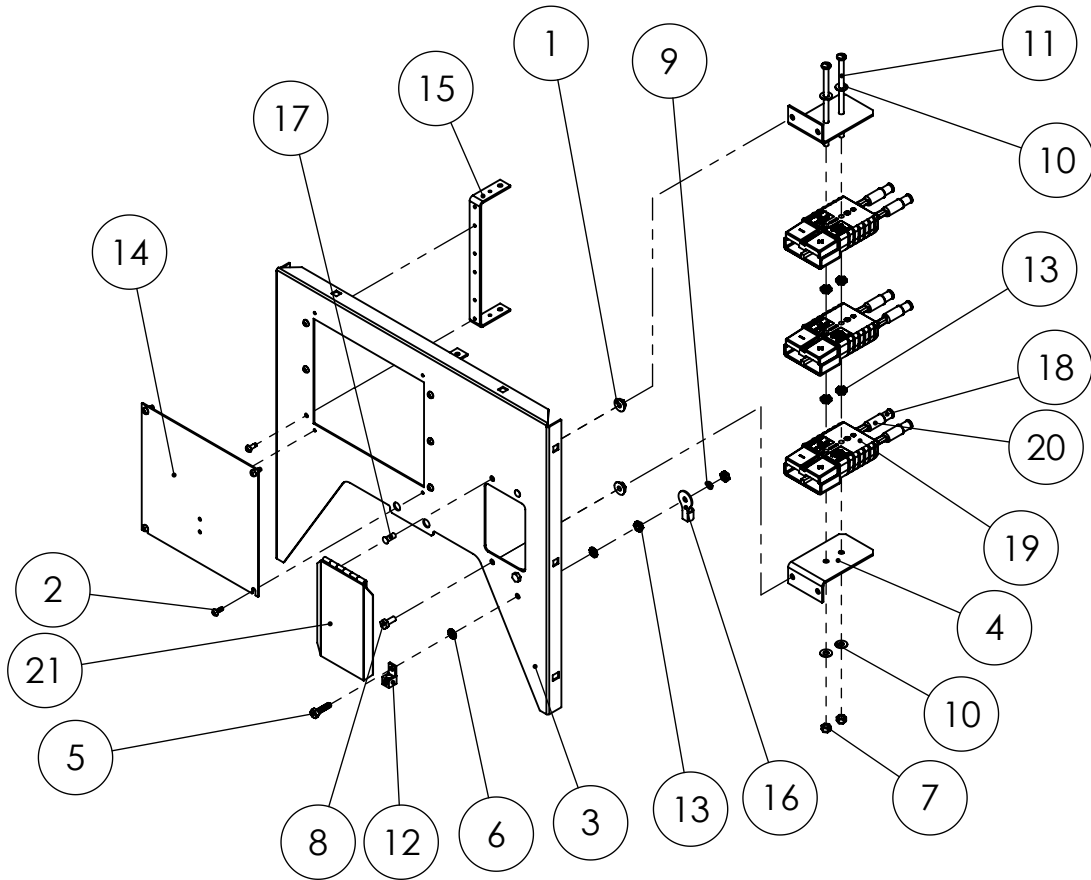
MLCB PANEL ASSEMBLY



* THIS PANEL (P/N 300101-19)
WORKS WITH MODEL
W120PTOS-18/F ONLY.

ITEM NO.	PART NUMBER	DESCRIPTION	QTY.
1	350098-8	PANEL, MLB	1
2	91457-002	TERM. RING 16-14 AWG, 1/2" STUD	2
3	4160-000	TERMINAL, RING, 16-14AWG, 1/4 STUD	2
4	598-000	#10 WASHER	2
5	484-000	LOCKWASHER #10 SPLIT	2
6	6372-000	#10-32 HEX NUT	2
7	24864-000	RHMS 10-32 X 4.5	2
8	300102	FREQUENCY METER, 55-65HZ, 120V	1
9	81097-044	CIRCUIT BREAKER 175A 3PL	1

RECEPTACLE PANEL ASSEMBLY



* THIS PANEL (P/N 300113-11)
WORKS WITH MODEL
W120PTOS-18/F ONLY.

ITEM NO.	PART NUMBER	DESCRIPTION	QTY.
1	16248-000	.25-20 FLANGE	4
2	21698-001	TORX PAN HEAD SCREW #10	10
3	300111-7	PANEL, FRONT	1
4	300117	SUPPORT CONNECTOR	2
5	439-000	HHCS 1/4-20X1 GR2	1
6	4516-000	LOCKWASHER 1/4 EXTERNAL TOOTH	2
7	47517-000	.25-20 NYLOK	2
8	476-000	.25-20X.625 HHB	2
9	479-000	LOCK WASHER, .25" SPLIT	1
10	512-000	.25 WASHER	4
11	61993-003	RHMS 1/4-20x5	2
12	63708-000	TERMINAL LUG	1
13	638-000	HEX NUT, .25IN	6
14	64892-000	COVER PLATE	1
15	64893-000	REGULATOR BRACKET	2
16	91321-002	TERMINAL RING 2 GA 1/4 STUD	1
17	94980-001	THREAD STUD .25-20X.625	2
18	EE23301	#1 BUSHING	6
19	EE2331	HOUSING 350A	3
20	EE23325	1/0 CONTACT	6
21	G72132	WELDMENT COVER ASSEMBLY	1