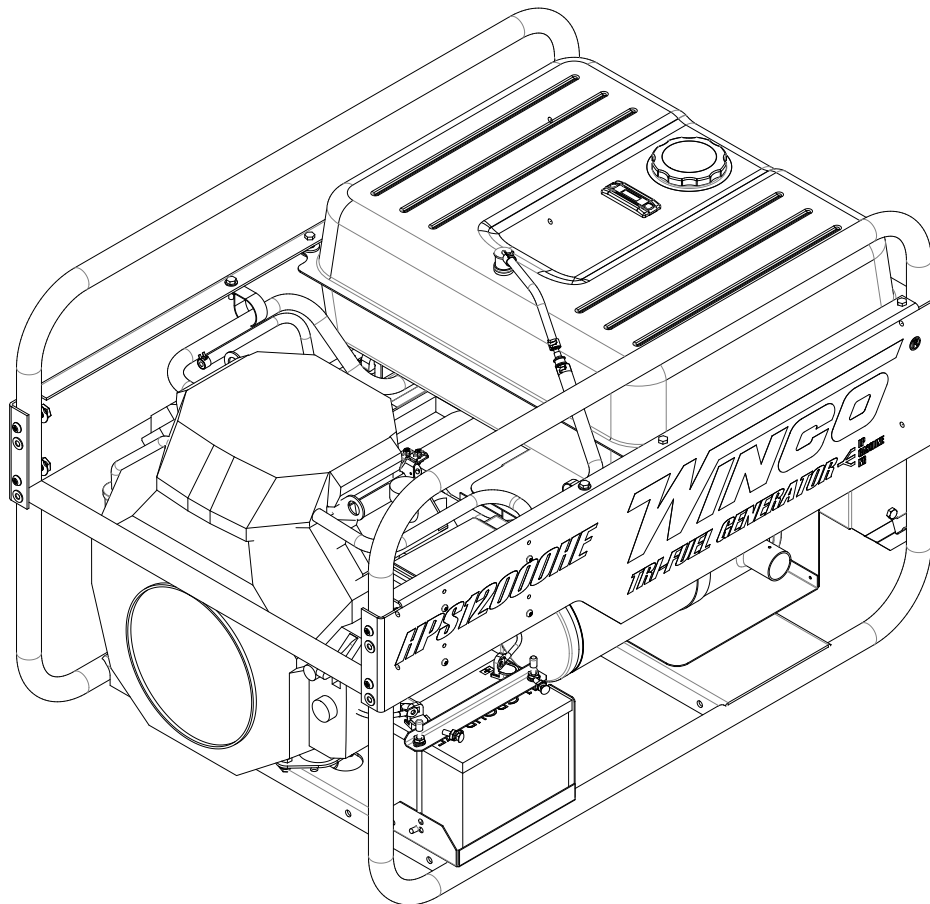


WINCO[®] INC

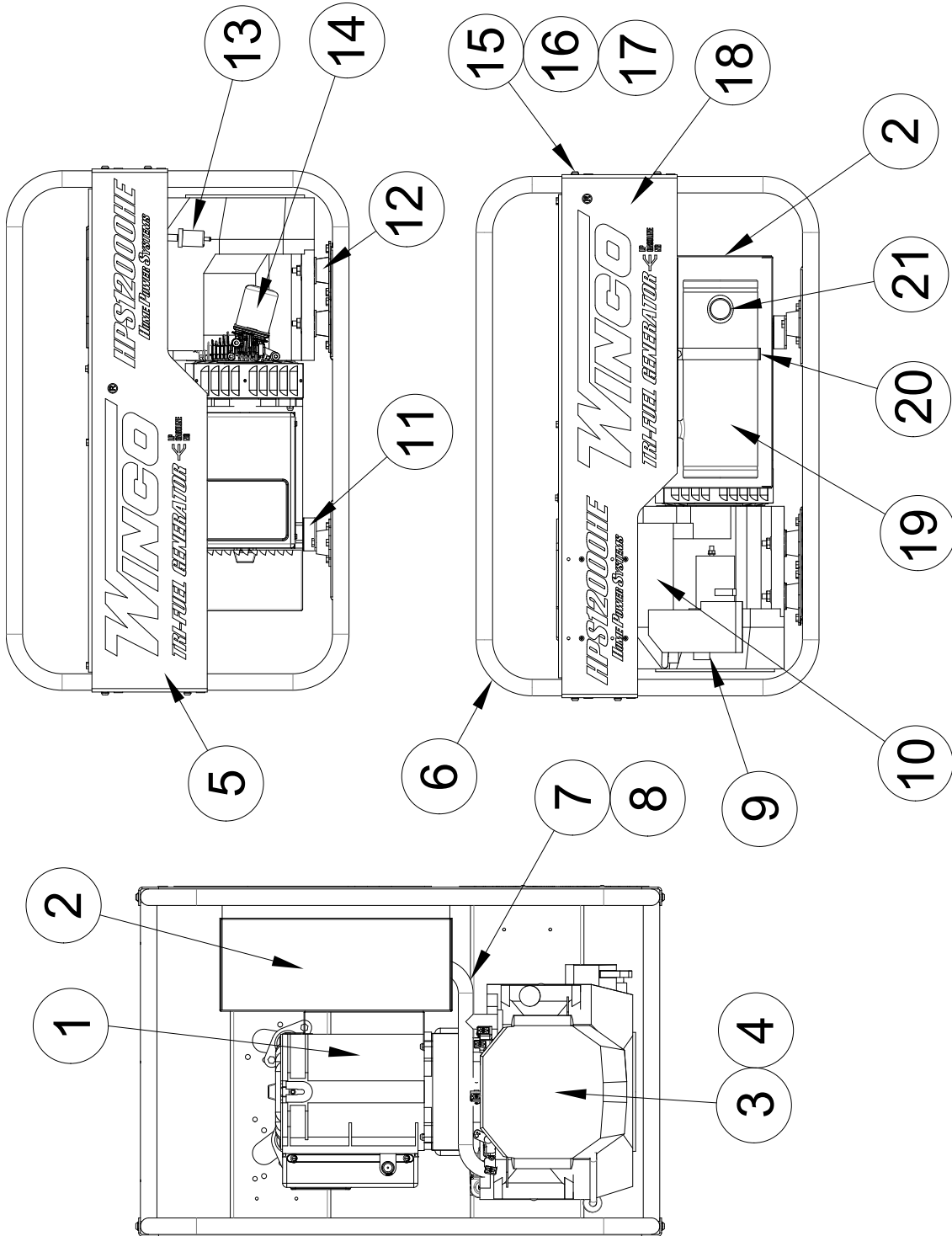
ILLUSTRATED PARTS LIST

HPS12000HE/F



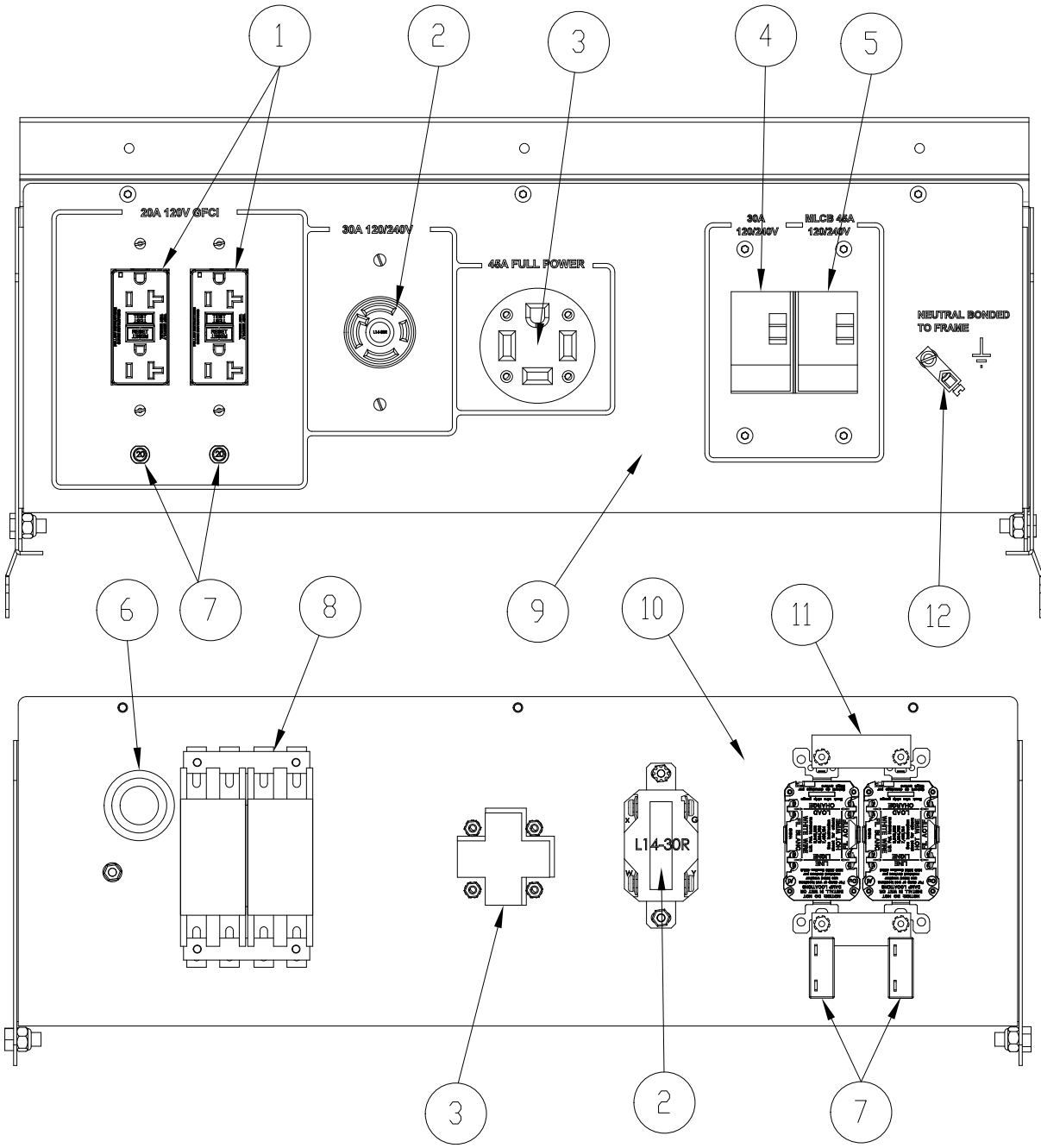
**WINCO INC.
225 S. CORDOVA AVE.
LE CENTER, MN 56057
(507) 357-6821
SERVICE DEPT.
(507) 357-6831
wincogen.com**

ENGINE / GENERATOR ASSEMBLY



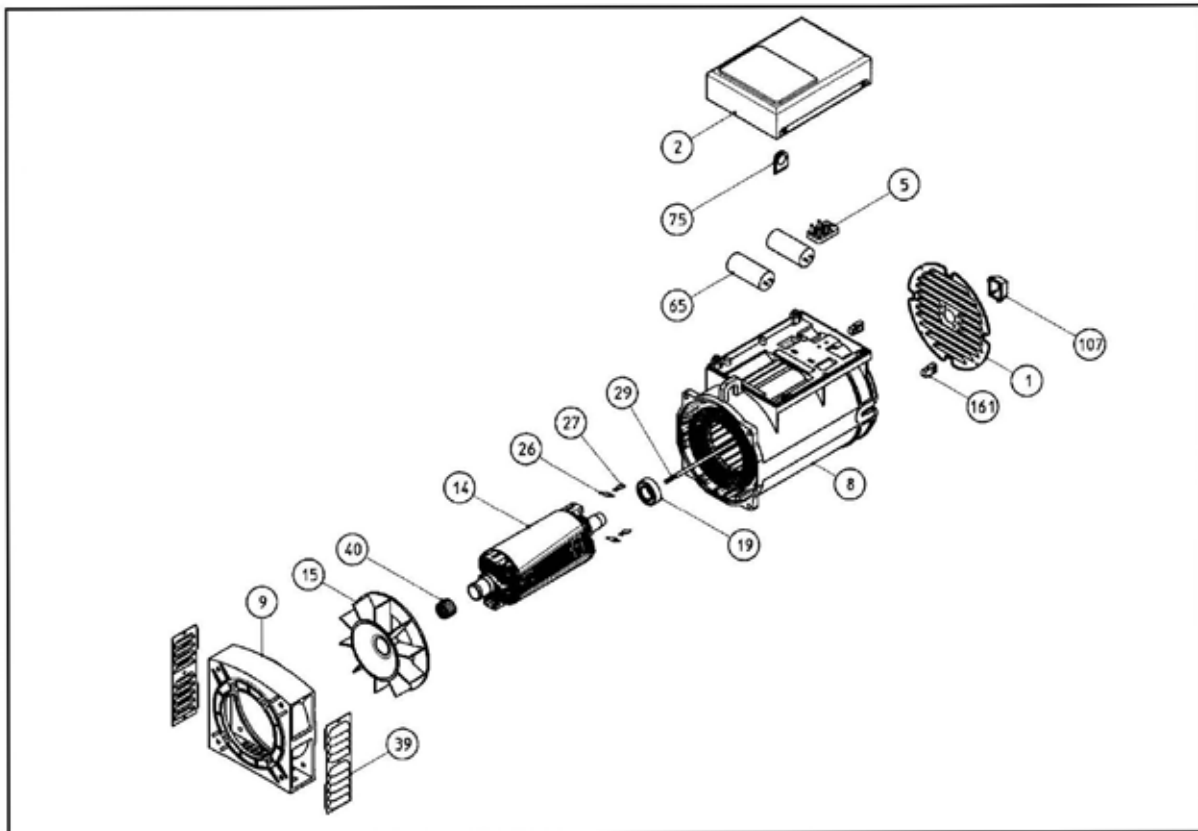
REF #	PART NUMBER	QTY	DESCRIPTION
1	351836-1	1	Generator, Mecc Alte Model: S20FS-160/A
2	15687-024	1	Muffler Heat Shield
3	17210-Z6L-000	1*	Air Cleaner Element
4	17218-Z6L-000	1*	Outer Air Cleaner
5	300217-17	1	Right Side Rail
6	63073-047	1	Cradle
7	16479-005	1	Exhaust Manifold
8	93489-018	1	1.25" Muffler Clamp
9	15959-108	1	Ignition Key
10	15959-008	1	Engine, Honda, Model: GX630RH VXE1 NH1 Code: GCAMH
11	16335-004	1	Generator Support
12	98807-000	6	Shock Mount
13	16910-Z6I-003	1*	Fuel Filter
14	15400-PLM-A01	1*	Oil Filter
15	64858-009	8	Button Head Bolt
16	526-000	8	Flat Washer
17	16250-000	8	Flange Nut
18	300216-17	1	Left Side Rail
19	350590-15	1	Muffler
20	93484-013	1	Muffler Mounting Strap
21	16237-004	1	Spark Arrestor
NI	ZFR5F	2**	Spark Plug
NI	300349	1	Oil Drain Valve
NI	300349-2	1	Oil Drain Adapter
*	Honda Part #		
**	NGK part #		
NI	Not Illustrated		

RECEPTACLE PANEL ASSEMBLY



REF #	PART NUMBER	QTY	DESCRIPTION
1	15147-003	2	NEMA 5-20R GFCI Receptacle
2	97360-000	1	NEMA L14-30R Receptacle
3	300136	1	NEMA 14-60R Receptacle
4	57030-002	1	30 Amp 2-Pole Circuit Breaker
5	57030-007	1	45 Amp 2-Pole Circuit Breaker
6	16302-000	1	Grommet
7	91286-001	2	20 Amp 1-Pole Circuit Breaker
8	64045-009	2	Mounting Strap
9	15458-031	1	Receptacle Front Panel
10	15221-032	1	Receptacle Box
11	64045-041	1	Mounting Strap
12	48042-001	1	Ground Lug
NI	21698-001	7	Torx Screw
NI	300137	1	NEMA 14-60P Plug
NI	64492-000	1	NEMA L14-30P Plug
NI	Not Illustrated		

GENERATOR ASSEMBLY



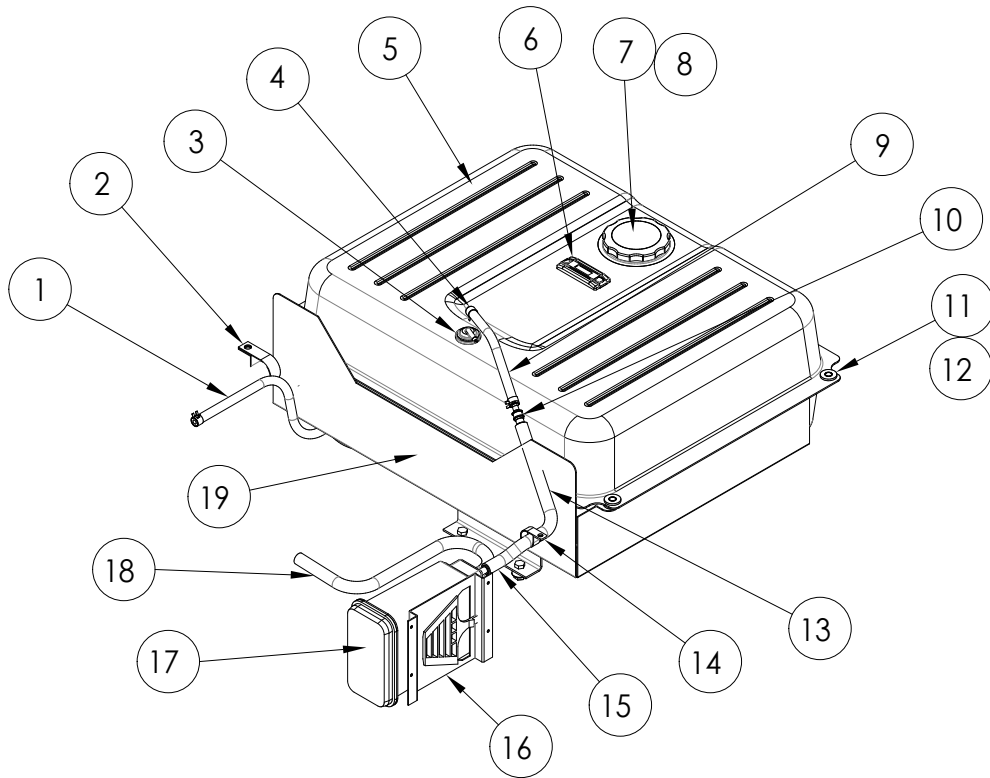
REF #	PART NUMBER	QTY	DESCRIPTION
	351836-1	1	Complete Generator End
19	54665-000	1	6205-2RS Bearing
26	300323-208	2	Varistor
27	300323-207	2	Diode
65	300323-112	2	31.5 mf 450 VAC Capacitor

Individual gen-end parts available through Mecc Alte @ www.meccalte.com

GENERATOR SPECIFICATIONS:

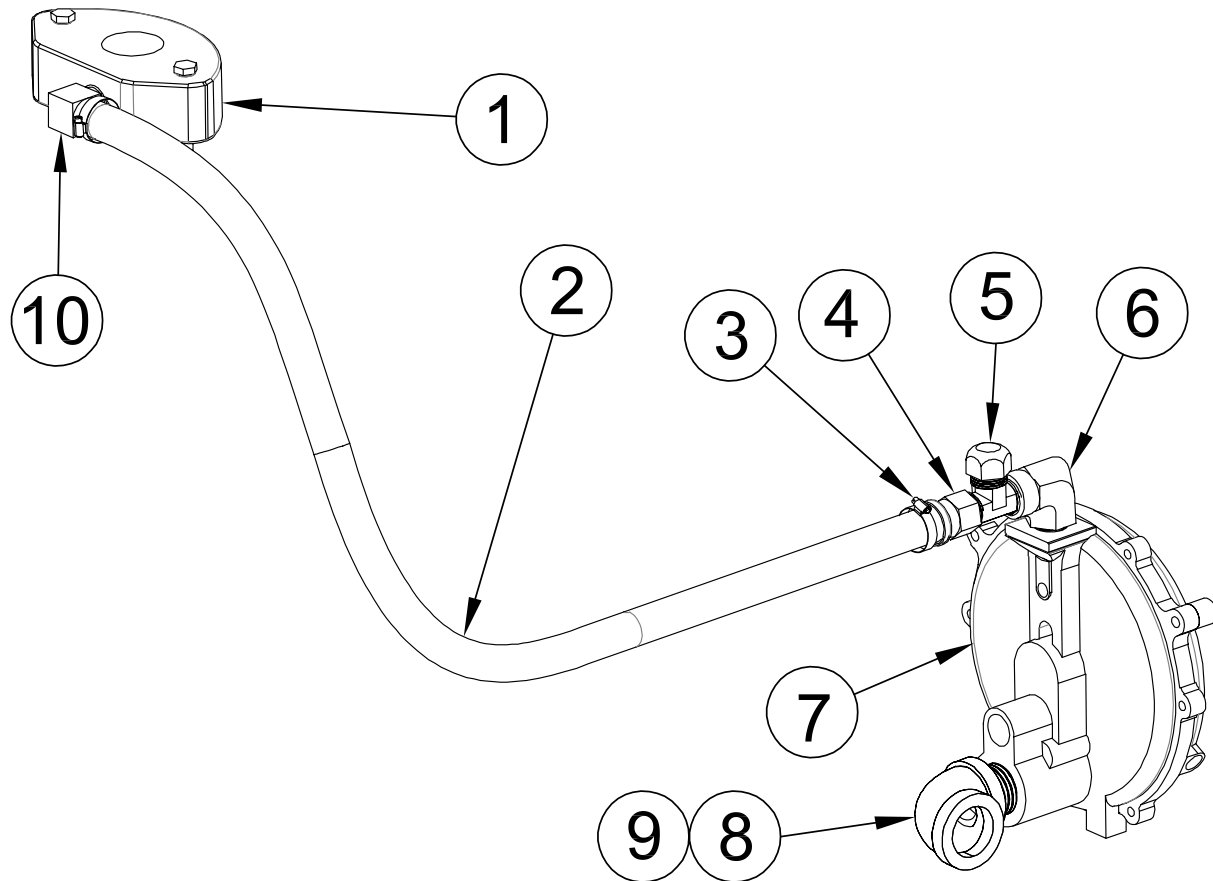
STATOR:	0.209 Ohms
ROTOR:	6.57 Ohms
CAPACITOR LEADS	0.60 Ohms

FUEL SYSTEM ASSEMBLY



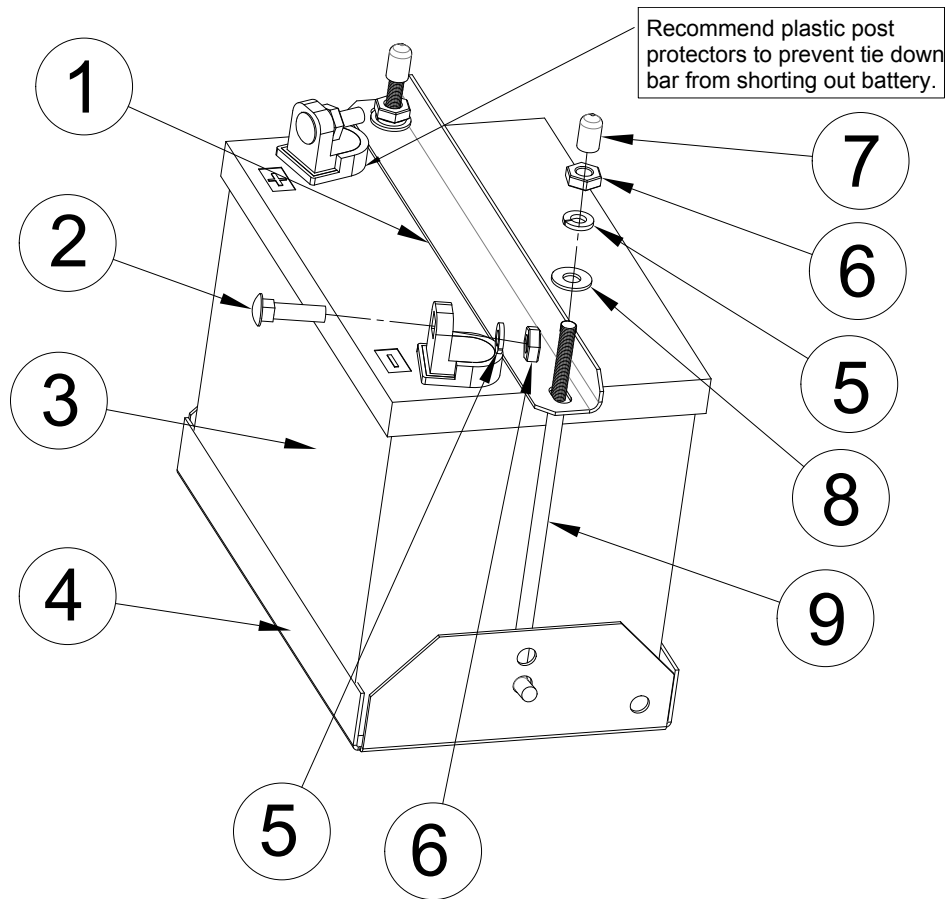
REF #	PART NUMBER	QTY	DESCRIPTION
1	40078-000	13"	1/4" ID Fuel Hose
2	97391-010	1	1 1/2" Tube Clamp
3	80903-002	1	Slosh Valve
4	62999-001	4	Hose Clamp .5 OD Red
5	64024-014	1	15 Gallon Steel Fuel Tank
6	64024-407	1	Fuel Level Gauge
7	64024-401	1	Sealed Fuel Cap
8	64024-403	1	Fuel Filter in Tank
9	40078-000	6"	1/4" ID Fuel Hose
10	98590-003	1	Hose Reducer
11	64024-406	4	Rubber Bushing
12	64024-405	4	Anti-Crush Insert
13	55505-000	11.5"	3/8" ID Fuel Hose
14	97391-003	1	15/16" Tube Clamp
15	62999-004	3	Hose Clamp .69 OD Brown
16	81900-004	1	Carbon Canister Bracket
17	80900-000	1	Carbon Canister
18	55505-000	16"	3/8" ID Fuel Hose
19	15462-048	1	Fuel Tank Tray Red
NI	64024-404	1	Shut Off Valve
NI	Not Illustrated		

VAPOR FUEL SYSTEM ASSEMBLY



REF #	PART NUMBER	QTY	DESCRIPTION
1	63581-002	1	Carburetor Adapter
2	23048-000	28"	1/2" Vapor Fuel Hose
3	81018-008	2	Hose Clamp
4	350892-3	1	Hose Fitting
5	99874-000	1	Tee Fitting
6	99875-000	1	90° Fitting
7	55559-002	1	Regulator
8	54074-006	1	Pipe Nipple
9	50244-000	1	90° Elbow
10	92382-004	1	Hose Fitting Elbow
NI	16336-005	1	Regulator Mounting Bracket
NI	Not Illustrated		

BATTERY HOLD DOWN KIT (15807-002)

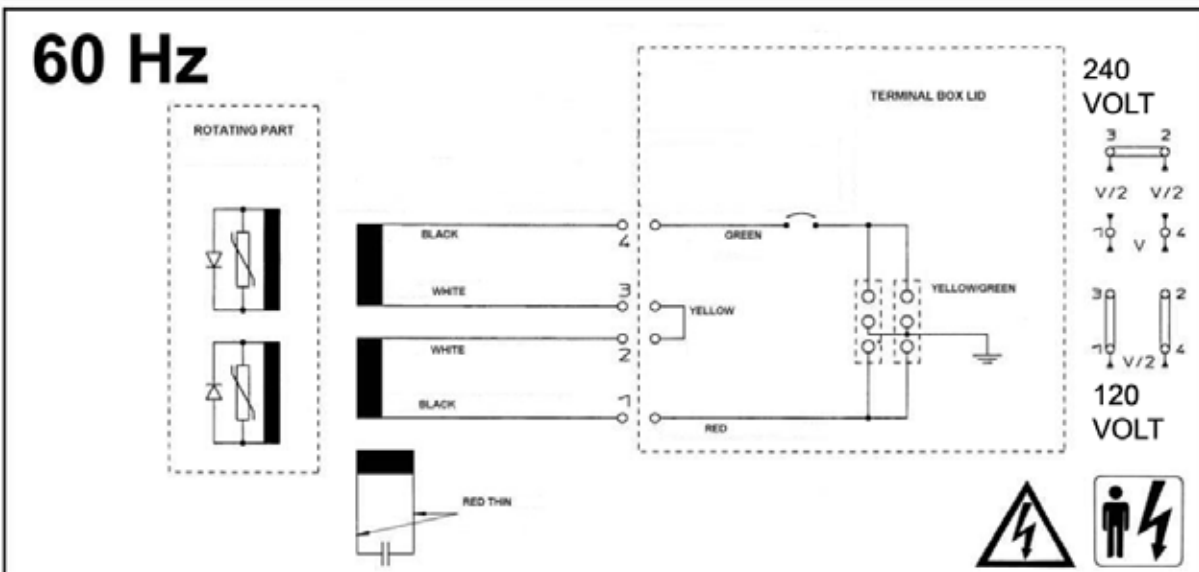


REF #	PART NUMBER	QTY	DESCRIPTION
1	64167-004	1	Hold Down Bracket
2	56842-001	2	Carriage Bolt
3	Battery	1*	BCI Group Size U1 Rated at 275 CCA
4	15676-013	1*	Battery Tray
5	479-000	4	1/4" Lock Washer
6	638-000	4	1/4" Hex Nut
7	16234-000	2	Vinyl Protective Cap
8	512-000	2	1/4" Flat Washer
9	64240-002	2	Hold Down Rod
NI	15767-027	1*	Battery Positive (+) Cable
NI	15767-031	1*	Battery Negative (-) Cable
NI	Not Illustrated		
*	Not part of this kit		

DECALS

REF #	PART NUMBER	QTY	DESCRIPTION
1	15209-000	1	Decal Set
2	15209-001	1*	Gasoline Decal
3	15209-002	1*	Danger CO2 Decal
4	15209-003	1*	Electrical Shock Decal
5	64918-000	2	Danger Use Outside Decal
6	63941-001	2	Hot Surface Decal
7	15209-013	1	Fuel Type Decal
8	15209-014	1	Check Oil Decal
9	63966-004	1	Winco Nameplate
*	Part of 15209-000		

GENERATOR END SCHEMATIC



WIRING DIAGRAM

