

# ***GENERAL PURPOSE ENGINE***

GX630R  
GX660R  
GX690R

**PARTS CATALOGUE**

**1**



GX630R



GX690R



GX660R

---

FOREWORD INDEX

**1**

---

ENGINE GROUP

**2**

---

PART NUMBER INDEX

**3**

---

PART NAME INDEX

**4**

---



**Instruction for use of parts catalogue**

- **This parts catalogue was prepared based on the latest information available as of August 01, 2009.**
- See the parts catalogue news for any revision that is made after August 01, 2009.
- **Always specify the part number when ordering a part.**
- Check the model, type, serial numbers, color, maker, and the size as needed before ordering a part.
- Note that the illustrations (part drawings) can differ from the actual parts in shape. They are given just to help you to refer to the parts.
- **When modifications or additions to this parts catalogue are made, a revised edition will be issued at an appropriate time, with successively progressing revision numbers on the cover. We recommend obtaining such revisions in order to keep your parts catalogue up-to-date at all times. To check whether a parts catalogue revision has been issued, please contact your Honda distributor.**

Initial version issue date **August 01, 2009**  
**Honda Motor Co., Ltd.**

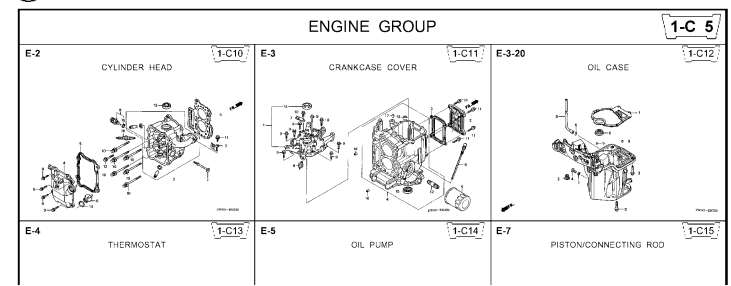
**CONTENTS**

|   | Page | Address No. |          |
|---|------|-------------|----------|
| ● Instruction for use of parts catalogue .....                      | 1    | B 1         | <b>1</b> |
| ● How to refer to the part information .....                        | 2    | B 2         |          |
| ● Part catalogue structure .....                                    | 3    | B 3         |          |
| ● When the parts were revised .....                                 | 4    | B 4         |          |
| ● Abbreviations used in the parts catalogue .....                   | 4    | B 4         |          |
| ● How to check the part block and serial numbers .....              | 5    | B 5         |          |
| ● Models, parts catalogue codes and applicable serial numbers ..... | 6    | B 6         |          |
| ● Features of each type .....                                       | 8    | B 8         |          |
| ● Fuel hose, general purpose hoses and vinyl hose .....             | 11   | B11         |          |
| ● FLAT RATE SERVICE TIME .....                                      | 12   | B12         |          |
| ● Illustrated index .....   | 17   | C 1         |          |
| ● ENGINE GROUP .....  | 20   | D 1         | <b>2</b> |
| ● PART NO. INDEX .....  | 58   | G 1         | <b>3</b> |
| ● PART NAME INDEX .....   | 60   | H 1         | <b>4</b> |

How to refer to the part information

1

A Reference with "Illustrated index"



B Reference with "Part number index"

PART NO. INDEX

| Part Number     | Address | Page | Ref. | Part Number   | Address | Page |
|-----------------|---------|------|------|---------------|---------|------|
| 06000           |         |      |      | 15212-ZW9-000 | 1-C14   | 3C   |
| 06316-ZW9-000   | 1-69    | 88   | 1    | 15220-ZW9-003 | 1-C14   | 3C   |
| 11000           |         |      |      | 15332-ZW9-000 | 1-E8    | 55   |
| 11300-ZW9-405   | 1-C11   | 27   | 1    | 15332-ZW9-A30 | 1-E11   | 5E   |
| 11300-ZW9-406   | 1-C11   | 27   | 1    | 15400-PF8-004 | 1-C11   | 27   |
| 11340-ZW9-000   | 1-C11   | 27   | 2    | 15422-ZW9-000 | 1-C14   | 3C   |
| 11342-ZW9-000   | 1-C11   | 27   | 3    | 15473-881-000 | 1-C14   | 3C   |
| 11381-ZW9-003   | 1-C12   | 28   | 1    | 15474-ZW9-000 | 1-C14   | 3C   |
|                 |         |      |      | 15611-921-000 | 1-C10   | 2E   |
|                 |         |      |      | 15655-ZW9-000 | 1-C11   | 27   |
| 12000           |         |      |      | 16000         |         |      |
| 12000-ZW9-405ZA | 1-C11   | 27   | 4    | 16010-ZV4-005 | 1-D4    | 3E   |
| 12155-ZV4-A00   | 1-C13   | 29   | 1    | 16011-ZV4-005 | 1-D4    | 3E   |
| 12166-ZW9-000   | 1-C10   | 26   | 1    | 16013-ZW9-003 | 1-D4    | 3E   |
| 12209-GB4-681   | 1-C16   | 32   | 1    | 16016-ZW9-003 | 1-D4    | 3E   |
| 12210-ZW9-405ZA | 1-C10   | 26   | 2    | 16016-ZW9-721 | 1-D4    | 3E   |
| 12216-ZE2-300   | 1-E8    | 55   | 1    | 16023-ZW9-003 | 1-D4    | 3E   |
|                 | 1-E11   | 58   | 1    | 16024-ZV4-650 | 1-D4    | 3E   |
|                 |         |      |      | 16028-ZV4-650 | 1-D4    | 3E   |

C Reference with "Part name index"

PART NAME INDEX

| Part name                 | Address | Page | Ref. |
|---------------------------|---------|------|------|
| [ A ]                     |         |      |      |
| ABSORBER , FUEL           | 1-E15   | 62   | 5    |
| ARMATURE COMP.            | 1-D11   | 43   | 7    |
| ARM COMP. , LINK JOINT    | 1-G6    | 85   | 18   |
| ARM COMP. , SHIFT LINK    | 1-G6    | 85   | 14   |
| ARM COMP. , TILT          | 1-F15   | 79   | 20   |
| ARM , FUEL PUMP ROCKER    | 1-C16   | 32   | 4    |
| ARM , REVERSE LOCK        | 1-F15   | 79   | 18   |
| ARM , SHIFT LINK          | 1-F11   | 74   | 7    |
| ARM , STOPPER             | 1-D1    | 33   | 12   |
| ARM , THROTTLE REMOTE     | 1-F11   | 74   | 6    |
| ARM , VALVE ROCKER        | 1-C16   | 32   | 3    |
| [ B ]                     |         |      |      |
| BAG , TOOL , 160MM        | 1-G5    | 84   | 10   |
| BAND                      | 1-G6    | 86   | 37   |
| BAND B1 , WIRE            | 1-F6    | 69   | 1    |
| BAND , CORD               | 1-F3    | 67   | 18   |
| BAND , TUBE CLIP , 11MM   | 1-E15   | 63   | 20   |
| BAND , TUBE CLIP , 12.5MM | 1-E15   | 63   | 19   |

Address No. 1-C10

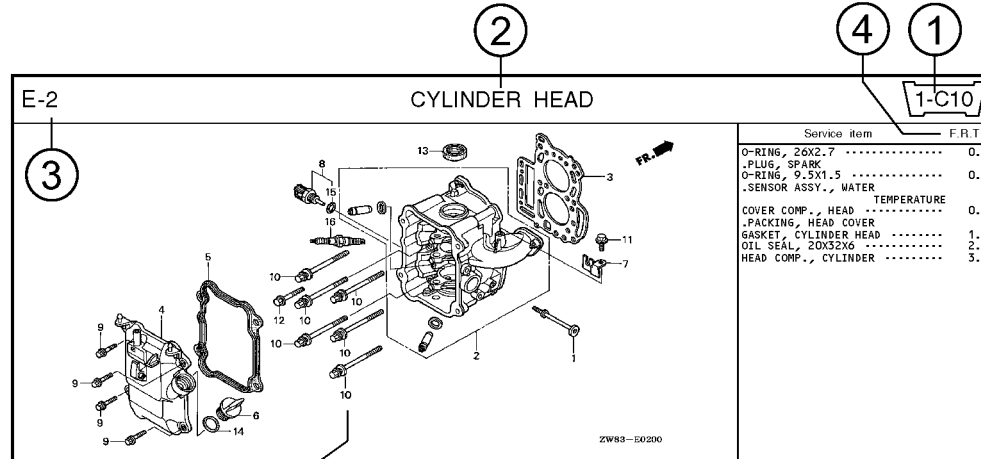
Block No. E-2 CYLINDER HEAD

Ref No.

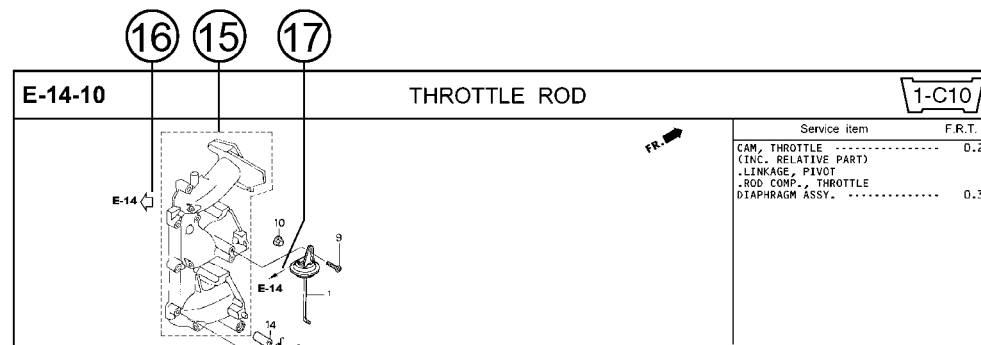
| Ref. No. | Part No.        | Description                   | Reqd. QTY |      |      |      |      |      | Serial No.      | Parts catalogue code |
|----------|-----------------|-------------------------------|-----------|------|------|------|------|------|-----------------|----------------------|
|          |                 |                               | 99D1      | 99D1 | 1001 | 1001 | 1001 | 1001 |                 |                      |
| 1        | 12166-ZW9-000   | STOPPER, ENGINE SIDE          | 2         | 2    | 2    | 2    | 2    | 2    |                 |                      |
| 2        | 12210-ZW9-000ZA | HEAD COMP., CYLINDER          | 1         | 1    | 1    | 1    | 1    | 1    |                 |                      |
| 3        | 12251-ZW9-003   | GASKET, CYLINDER HEAD         | 1         | 1    | 1    | 1    | 1    | 1    |                 |                      |
| 4        | 12310-ZW9-000   | COVER COMP., HEAD             | 1         | 1    | 1    | 1    | 1    | 1    |                 |                      |
| 5        | 12312-ZW9-000   | PACKING, HEAD COVER           | 1         | 1    | 1    | 1    | 1    | 1    |                 |                      |
| 6        | 15611-921-000   | CAP, OIL                      | 1         | 1    | 1    | 1    | 1    | 1    |                 |                      |
| 7        | 16617-ZW9-000   | HOLDER, CABLE                 | 1         | 1    | 1    | 1    | 1    | 1    | SC,SG           |                      |
|          | 16617-ZW9-010   |                               | 1         | 1    | 1    | 1    | 1    | 1    | 1001800 LHC,LHD |                      |
|          |                 |                               | 1         | 1    | 1    | 1    | 1    | 1    | 1001801 LHC,LHD |                      |
| 8        | 35675-ZW5-003   | SENSOR ASSY., WATER           | 1         | 1    | 1    | 1    | 1    | 1    |                 |                      |
| 9        | 90003-ZW9-000   | BOLT, FLANGE, 6X22            | 1         | 1    | 1    | 1    | 1    | 1    |                 |                      |
| 10       | 90007-ZW9-003   | BOLT, FLANGE, 8X83            | 6         | 6    | 6    | 6    | 6    | 6    |                 |                      |
| 11       | 90011-ZW9-000   | BOLT, FLANGE, 6X14(CT200)     | 1         | 1    | 1    | 1    | 1    | 1    |                 |                      |
| 12       | 90020-ZW9-000   | BOLT, FLANGE, 8X40            | 2         | 2    | 2    | 2    | 2    | 2    |                 |                      |
| 13       | 91202-KJ9-003   | OIL SEAL, 20X32X6             | 1         | 1    | 1    | 1    | 1    | 1    |                 |                      |
| 14       | 91301-805-000   | O-RING, 26X2.7                | 1         | 1    | 1    | 1    | 1    | 1    |                 |                      |
| 15       | 91307-PK2-005   | O-RING, 9.5X1.5(HONDA KIKAKI) | 1         | 1    | 1    | 1    | 1    | 1    |                 |                      |
| 16       | 98059-55916     | PLUG, SPARK (CR5EH-9)         | 2         | 2    | 2    | 2    | 2    | 2    |                 |                      |
|          | 98059-55926     | PLUG, SPARK (U16FER9)         | 2         | 2    | 2    | 2    | 2    | 2    |                 |                      |

Page No. 2009.09.20 E

**Part catalogue structure**



| Ref. No. | Part No.        | Description                                   | Reqd. QTY |           |         |          |         |          | Serial No.      | Parts catalogue code |
|----------|-----------------|---|-----------|-----------|---------|----------|---------|----------|-----------------|----------------------|
|          |                 |   | BF 9/9D1  | BFP 9/9D1 | BF 10D1 | BFP 10D1 | BF 10B1 | BFP 10B1 |                 |                      |
| 1        | 12166-ZW9-000   | STOPPER, ENGINE SIDE                          | 2         | 2         | 2       | 2        | 2       | 2        |                 |                      |
| 2        | 12210-ZW9-000ZA | HEAD COMP., CYLINDER<br>*NHS* ..... DARK GRAY | 1         | 1         | 1       | 1        | 1       | 1        |                 |                      |
| 3        | 12251-ZW9-003   | GASKET, CYLINDER HEAD                         | 1         | 1         | 1       | 1        | 1       | 1        |                 |                      |
| 4        | 12310-ZW9-000   | COVER COMP., HEAD                             | 1         | 1         | 1       | 1        | 1       | 1        |                 |                      |
| 5        | 12312-ZW9-000   | PACKING, HEAD COVER                           | 1         | 1         | 1       | 1        | 1       | 1        |                 |                      |
| 6        | 15611-921-000   | CAP, OIL<br>(NO GAUGE)                        | 1         | 1         | 1       | 1        | 1       | 1        |                 |                      |
| 7        | 16617-ZW9-000   | HOLDER, CABLE                                 | 1         | 1         | 1       | 1        | 1       | 1        | SC,SG           |                      |
|          | 16617-ZW9-010   |   | 1         | 1         | 1       | 1        | 1       | 1        | 1001800 LHC,LHD |                      |



- ① **Address number**
  - Address No. is provided (in place of the page No.) to help you refer to the part with the part No. or part name.
- ② **Block title** ③ **Block number**
- ④ **Service item/Flat rate time**
- ⑤ **Reference number**
  - Title number marked with the parenthesis or parentheses indicates that it continues from the previous page.
- ⑥ **Part number** ⑦ **Honda color code**
- ⑧ **Description**
- ⑨ **Assemblies**
  - Sections framed with broken lines in the exploded view drawings are available as complete assemblies. (Their individual parts can also be obtained.)
- ⑩ **Color description**
- ⑪ **Note**
  - Notes are shown with the parentheses in the part name column.
- ⑫ **Required quantity**
  - Required QTY shown in the parenthesis or parentheses indicates the optional part.
  - Required QTY marked with "N" Indicates the optional part that should be selected as needed.
  - Required QTY indicates the number of the part used in the block.
- ⑬ **Serial number**
- ⑭ **Type**
  - When the type column is blank, it indicates that the part is applicable to all types.
  - As the type of the actual unit may differ from the "parts catalogue, type" please refer to "Models, types and applicable serial numbers" for confirmation.
- ⑮ **[Dotted line]**
  - Parts enclosed within a dotted line [ ] are covered in a different block.
- ⑯ **[Hollow arrow]**
  - A hollow arrow [ ] indicates the block No. for the parts enclosed within a dotted line [ ] .
- ⑰ **[Solid arrow]**
  - A solid arrow [ ] indicates the block No. the part in question is connected to.

When the parts were revised

Abbreviations used in the parts catalogue

1



Be sure to check the serial number!!



| Ref. No. | Part No.        | Description                      | Reqd. QTY |           |         |          |         |          | Serial No. |
|----------|-----------------|----------------------------------|-----------|-----------|---------|----------|---------|----------|------------|
|          |                 |                                  | BF 99D1   | BFP 9.9D1 | BF 10D1 | BFP 10D1 | BF 10B1 | BFP 10B1 |            |
| 1        | 12166-ZW9-000   | STOPPER, ENGINE SIDE .....       | 2         | 2         | 2       | 2        | 2       | 2        |            |
| 2        | 12210-ZW9-000ZA | HEAD COMP., CYLINDER *NHS* ..... | 1         | 1         | 1       | 1        | 1       | 1        |            |
| 3        | 12251-ZW9-003   | GASKET, CYLINDER HEAD .....      | 1         | 1         | 1       | 1        | 1       | 1        |            |
| 4        | 12310-ZW9-000   | COVER COMP., HEAD .....          | 1         | 1         | 1       | 1        | 1       | 1        |            |
| 5        | 12312-ZW9-000   | PACKING, HEAD COVER .....        | 1         | 1         | 1       | 1        | 1       | 1        |            |
| 6        | 15611-921-000   | CAP, OIL (NO GAUGE) .....        | 1         | 1         | 1       | 1        | 1       | 1        |            |
| 7        | 16617-ZW9-000   | HOLDER, CABLE (###) .....        | 1         | 1         | 1       | 1        | 1       | 1        | SC, SG     |
|          | 16617-ZW9-010   | .....                            | 1         | 1         | 1       | 1        | 1       | 1        | LHC, LHD   |
|          |                 | .....                            | 1         | 1         | 1       | 1        | 1       | 1        | LHC, LHD   |

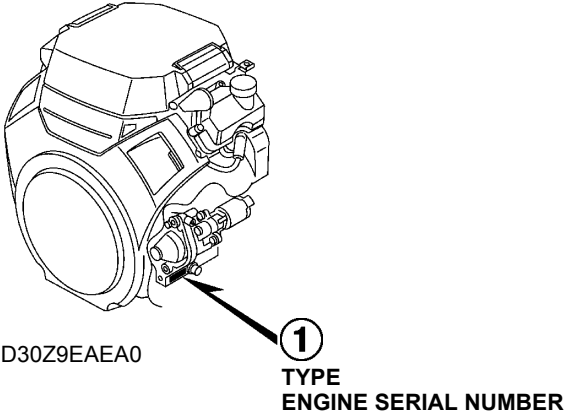
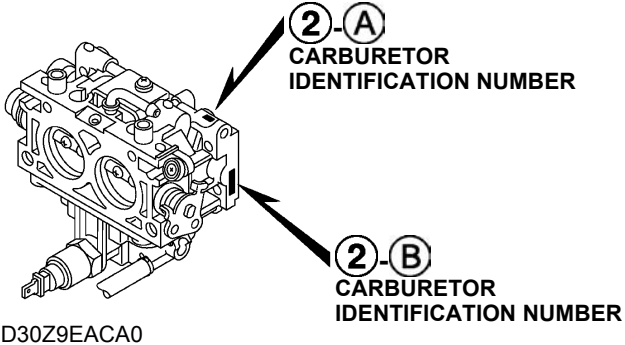
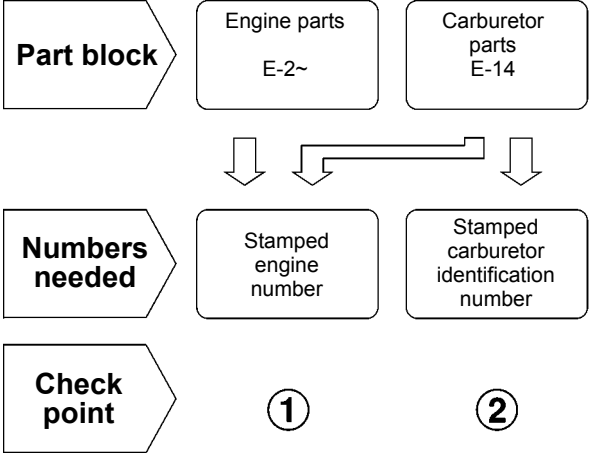
The number has been used from the initial model without revision. When shown at the left side, it is applicable to the models of No.1001801 and the subsequent numbers. When shown at the right side, it is applicable to the models up to No.1001800.

• The parts listed with "###" at the end of the parts name have limited supply period (parts not for sale).

• The following abbreviations are used in the parts name column.

- A ..... Ampere
- A.C. .... Alternating current
- ASSY. .... Assembly
- AT. .... Automatic transmission
- C.D.I. .... Capacitive discharge ignition
- COMP. ... Complete
- D.C. .... Direct current
- EX. .... Exhaust
- G.F.C.I ... Ground fault circuit interruptor
- HEX. .... Hexagonal
- H.S.T. .... Hydrostatic transmission
- FR. ....Front
- IN. ....Inlet
- L (100L) .Link (100 Links)
- L. ....Left
- MM .....Millimeter
- MT. ....Manual Transmission
- P.T.O. ....Power take off
- R. ....Right
- RR. ....Rear
- STD. ....Standard
- T (22T) ...Tooth (22 Teeth)
- V .....Volt
- W .....Watt

How to check the part block and serial numbers





### Models, parts catalogue codes and applicable serial numbers

- Models, parts catalogue codes and applicable serial Nos. given in this parts catalogue can be identified as follows.

| Model  | Type | Parts catalogue type | Applicable engine serial No. | Applicable carburetor identification No. | Model  | Type | Parts catalogue type | Applicable engine serial No. | Applicable carburetor identification No. |
|--------|------|----------------------|------------------------------|--|--------|------|----------------------|------------------------------|--|
| GX630R | QAB  | QAB                  | GCBEK-1000001~               | BK07A A                                  | GX630R | QZA5 | QZA5                 | GCBEK-1000001~               | BK07A A                                  |
|        | QAF  | QAF                  |                              |  |        | QZB  | QZB                  |                              |  |
|        | QAF1 | QAF1                 |                              |  |        | QZB2 | QZB2                 |                              |  |
|        | QAF3 | QAF3                 |                              |  |        | QZB3 | QZB3                 |                              |  |
|        | QDF  | QDF                  |                              |  |        | QZE  | QZE                  |                              |  |
|        | QDF2 | QDF2                 |                              |  |        | QZE3 | QZE3                 |                              |  |
|        | QDW  | QDW                  |                              |  |        | QZE4 | QZE4                 |                              |  |
|        | QWF2 | QWF2                 |                              | QZF8                                     |        | QZF8 |                      |                              |  |
|        | QXA  | QXA                  |                              | VAF6                                     |        | VAF6 |                      |                              |  |
|        | QXB1 | QXB1                 |                              | VD                                       |        | VD   |                      |                              |  |
|        | QXC2 | QXC2                 |                              | VDB2                                     |        | VDB2 |                      |                              |  |
|        | QXF  | QXF                  |                              | VDC2                                     |        | VDC2 |                      |                              |  |
|        | QXF4 | QXF4                 |                              | VEP4                                     |        | VEP4 |                      |                              |  |
|        | QXF5 | QXF5                 |                              | VXA1                                     |        | VXA1 |                      |                              |  |
|        | QXF6 | QXF6                 |                              | VXD                                      |        | VXD  |                      |                              |  |
| QYD    | QYD  | VXD4                 | VXD4                         |  |        |      |                      |                              |  |
| QYF    | QYF  | VXD8                 | VXD8                         |  |        |      |                      |                              |  |
| QZA    | QZA  | VXE1                 | VXE1                         | BK07L A                                  |        |      |                      |                              |  |
|        |      |                      |                              | BK07A A                                  |        |      |                      |                              |  |
|        |      |                      |                              | BK07L A                                  |        |      |                      |                              |  |
|        |      |                      |                              | BK07A A                                  |        |      |                      |                              |  |
|        |      |                      |                              | BK07L A                                  |        |      |                      |                              |  |
|        |      |                      |                              | BK07G A                                  |        |      |                      |                              |  |
|        |      |                      |                              | BK07A A                                  |        |      |                      |                              |  |

| Model  | Type | Parts catalogue type | Applicable engine serial No. | Applicable carburetor identification No. | Model          | Type    | Parts catalogue type | Applicable engine serial No. | Applicable carburetor identification No. |
|--------|------|----------------------|------------------------------|--|----------------|---------|----------------------|------------------------------|--|
| GX630R | VXE2 | VXE2                 | GCBEK-1000001~               | BK07L A                                  | GX660R         | VXE1    | VXE1                 | GCBFK-1000001~               | BK06A A                                  |
|        | VXE8 | VXE8                 |                              | BK07A A                                  |                | VXE2    | VXE2                 |                              | BK06E A                                  |
|        | VXF  | VXF                  |                              |  |                | VXE4    | VXE4                 |                              |  |
|        | VXF4 | VXF4                 |                              |  | GCBGK-1000001~ | BK05A A | BAF                  | BAF                          |  |
|        | VXP2 | VXP2                 |                              |  |                |         | BDW                  | BDW                          |  |
|        | VZA  | VZA                  |                              | BXF                                      |                |         | BXF                  |                              |  |
|        | VZA2 | VZA2                 |                              | BXF5                                     |                |         | BXF5                 |                              |  |
| GX660R | BAF  | BAF                  | GCBFK-1000001~               | BK06A A                                  |                |         | TAF                  | TAF                          | BK05A A                                  |
|        | BDW  | BDW                  |                              |  |                |         | TDW                  | TDW                          |  |
|        | BXF  | BXF                  |                              |  |                |         | TXA2                 | TXA2                         |  |
|        | BXF5 | BXF5                 |                              |  | TXF            | TXF     |                      |                              |  |
|        | TAF  | TAF                  |                              |  | TXF4           | TXF4    |                      |                              |  |
|        | TDW  | TDW                  |                              |  | TXF5           | TXF5    |                      |                              |  |
|        | TXA2 | TXA2                 |                              |  | TXF7           | TXF7    |                      |                              |  |
|        | TXF  | TXF                  |                              |  | TXF9           | TXF9    |                      |                              |  |
|        | TXF4 | TXF4                 |                              |  | VXE1           | VXE1    |                      |                              |  |
|        | TXF5 | TXF5                 |                              |  | VXE2           | VXE2    |                      |                              |  |
|        | TXF7 | TXF7                 |                              |  | VXE4           | VXE4    |                      |                              |  |
|        | TXF9 | TXF9                 |                              |  |                |         | BK05D A              |                              |  |

\* Of carburetor identification numbers, only the portions underlined in the example below are used for registration.

BK 07A A KC ナ  
 (A) (B)

1

Features of each type

• See the following table for the features of each type. (Items in brackets are optional)

| Specifications |                              | Model | GX630R |     |      |      |     |      |     |      |     |      |      |     |      |      |      |
|----------------|------------------------------|-------|--------|-----|------|------|-----|------|-----|------|-----|------|------|-----|------|------|------|
|                |                              | Type  | QAB    | QAF | QAF1 | QAF3 | QDF | QDF2 | QDW | QWF2 | QXA | QXB1 | QXC2 | QXF | QXF4 | QXF5 | QXF6 |
| Crankshaft     | 25.4 mm Ø Straight (L=138)   |       | ●      | ●   | ●    | ●    | ●   | ●    | ●   | ●    | ●   | ●    | ●    | ●   | ●    | ●    | ●    |
|                | 28.575 mm Ø Straight (L=162) |       |        |     |      |      |     |      |     |      |     |      |      |     |      |      |      |
|                | 36.5 mm Ø Straight (L=175.2) |       |        |     |      |      |     |      |     |      |     |      |      |     |      |      |      |
|                | 5/16" Tapered                |       |        |     |      |      |     |      |     |      |     |      |      |     |      |      |      |
|                | 7/16" Tapered                |       |        |     |      |      |     |      |     |      |     |      |      |     |      |      |      |
|                | M10 Tapered                  |       |        |     |      |      |     |      |     |      |     |      |      |     |      |      |      |
| Muffler        | Side mount                   |       |        |     |      |      |     |      |     |      |     |      |      |     |      |      |      |
|                | High-R                       |       | (●)    | (●) | (●)  | (●)  | (●) | (●)  | (●) | (●)  | (●) | (●)  | (●)  | (●) | (●)  | (●)  | (●)  |
|                | High-L                       |       | (●)    | (●) | (●)  | (●)  | (●) | (●)  | (●) | (●)  | (●) | (●)  | (●)  | (●) | (●)  | (●)  | (●)  |
| Spark arrester |                              |       | (●)    | (●) | (●)  | (●)  | (●) | (●)  | (●) | (●)  | (●) | (●)  | (●)  | (●) | (●)  | (●)  | (●)  |
| Control box    |                              |       |        |     | ●    |      | ●   |      |     |      | ●   |      | ●    | ●   | ●    | ●    | ●    |

| Specifications |                              | Model | GX630R |     |     |      |     |      |      |     |      |      |      |      |    |      |      |
|----------------|------------------------------|-------|--------|-----|-----|------|-----|------|------|-----|------|------|------|------|----|------|------|
|                |                              | Type  | QYD    | QYF | QZA | QZA5 | QZB | QZB2 | QZB3 | QZE | QZE3 | QZE4 | QZF8 | VAF6 | VD | VDB2 | VDC2 |
| Crankshaft     | 25.4 mm Ø Straight (L=138)   |       | ●      | ●   | ●   | ●    | ●   | ●    | ●    | ●   | ●    | ●    | ●    |      |    |      |      |
|                | 28.575 mm Ø Straight (L=162) |       |        |     |     |      |     |      |      |     |      |      |      |      |    |      |      |
|                | 36.5 mm Ø Straight (L=175.2) |       |        |     |     |      |     |      |      |     |      |      |      |      |    |      |      |
|                | 5/16" Tapered                |       |        |     |     |      |     |      |      |     |      |      |      | ●    |    | ●    |      |
|                | 7/16" Tapered                |       |        |     |     |      |     |      |      |     |      |      |      |      |    |      | ●    |
|                | M10 Tapered                  |       |        |     |     |      |     |      |      |     |      |      |      |      | ●  |      |      |
| Muffler        | Side mount                   |       |        |     |     | ●    |     |      |      |     |      |      |      |      |    |      |      |
|                | High-R                       |       | (●)    | (●) | (●) | (●)  |     | (●)  | (●)  | (●) | (●)  | (●)  | (●)  |      |    | (●)  | (●)  |
|                | High-L                       |       | (●)    | (●) | (●) | (●)  |     | (●)  | (●)  | (●) | (●)  | (●)  | (●)  | ●    |    | (●)  | (●)  |
| Spark arrester |                              |       | (●)    | (●) | (●) | (●)  |     | (●)  | (●)  | (●) | (●)  | (●)  | (●)  |      |    | (●)  | (●)  |
| Control box    |                              |       |        |     | ●   | ●    | ●   | ●    | ●    | ●   | ●    | ●    | ●    |      |    |      |      |

| Specifications |                              | Model | GX630R |      |     |      |      |      |      |      |     |      |      |     |
|----------------|------------------------------|-------|--------|------|-----|------|------|------|------|------|-----|------|------|-----|
|                |                              | Type  | VEP4   | VXA1 | VXD | VXD4 | VXD8 | VXE1 | VXE2 | VXE8 | VXF | VXF4 | VXP2 | VZA |
| Crankshaft     | 25.4 mm Ø Straight (L=138)   |       |        |      |     |      |      |      |      |      |     |      |      |     |
|                | 28.575 mm Ø Straight (L=162) |       |        |      |     |      |      |      |      |      |     |      |      |     |
|                | 36.5 mm Ø Straight (L=175.2) |       |        |      |     |      |      |      |      |      |     |      |      |     |
|                | 5/16" Tapered                | ●     | ●      |      | ●   | ●    | ●    | ●    | ●    | ●    | ●   | ●    | ●    | ●   |
|                | 7/16" Tapered                |       |        |      |     |      |      |      |      |      |     |      |      |     |
|                | M10 Tapered                  |       |        | ●    |     |      |      |      |      |      |     |      |      |     |
| Muffler        | Side mount                   |       |        |      |     |      |      |      |      |      |     |      |      |     |
|                | High-R                       | (●)   | (●)    |      | (●) | (●)  | (●)  | (●)  | (●)  | (●)  | (●) | (●)  | (●)  | (●) |
|                | High-L                       | (●)   | (●)    | ●    | (●) | (●)  | (●)  | (●)  | (●)  | (●)  | (●) | (●)  | (●)  | (●) |
| Spark arrester |                              | (●)   | (●)    |      | (●) | (●)  | (●)  | (●)  | (●)  | (●)  | (●) | (●)  | (●)  | (●) |
| Control box    |                              | ●     | ●      |      | ●   | ●    | ●    | ●    |      | ●    |     |      | ●    | ●   |

| Specifications |                              | Model | GX660R |     |     |      |     |     |      |     |      |      |      |      |      |      |
|----------------|------------------------------|-------|--------|-----|-----|------|-----|-----|------|-----|------|------|------|------|------|------|
|                |                              | Type  | BAF    | BDW | BXF | BXF5 | TAF | TDW | TXA2 | TXF | TXF4 | TXF5 | TXF7 | TXF9 | VXE1 | VXE2 |
| Crankshaft     | 25.4 mm Ø Straight (L=138)   |       |        |     |     |      |     |     |      |     |      |      |      |      |      |      |
|                | 28.575 mm Ø Straight (L=162) |       |        |     |     |      | ●   | ●   | ●    | ●   | ●    | ●    | ●    |      |      |      |
|                | 36.5 mm Ø Straight (L=175.2) | ●     | ●      | ●   | ●   |      |     |     |      |     |      |      |      |      |      |      |
|                | 5/16" Tapered                |       |        |     |     |      |     |     |      |     |      |      |      | ●    | ●    | ●    |
|                | 7/16" Tapered                |       |        |     |     |      |     |     |      |     |      |      |      |      |      |      |
|                | M10 Tapered                  |       |        |     |     |      |     |     |      |     |      |      |      |      |      |      |
| Muffler        | Side mount                   |       |        |     |     |      |     |     |      |     |      |      |      |      |      |      |
|                | High-R                       | (●)   | (●)    | (●) | (●) | (●)  | (●) | (●) | (●)  | (●) | (●)  | (●)  | (●)  | (●)  | (●)  | (●)  |
|                | High-L                       | (●)   | (●)    | (●) | (●) | (●)  | (●) | (●) | (●)  | (●) | (●)  | (●)  | (●)  | (●)  | (●)  | (●)  |
| Spark arrester |                              | (●)   | (●)    | (●) | (●) | (●)  | (●) | (●) | (●)  | (●) | (●)  | (●)  | (●)  | (●)  | (●)  | (●)  |
| Control box    |                              | ●     |        | ●   | ●   | ●    |     | ●   | ●    | ●   | ●    | ●    |      | ●    | ●    | ●    |

**1**

| Specifications |                              | Model | GX690R |     |     |      |     |     |      |     |      |      |      |      |      |      |      |
|----------------|------------------------------|-------|--------|-----|-----|------|-----|-----|------|-----|------|------|------|------|------|------|------|
|                |                              | Type  | BAF    | BDW | BXF | BXF5 | TAF | TDW | TXA2 | TXF | TXF4 | TXF5 | TXF7 | TXF9 | VXE1 | VXE2 | VXE4 |
| Crankshaft     | 25.4 mm Ø Straight (L=138)   |       |        |     |     |      |     |     |      |     |      |      |      |      |      |      |      |
|                | 28.575 mm Ø Straight (L=162) |       |        |     |     | ●    | ●   | ●   | ●    | ●   | ●    | ●    | ●    |      |      |      |      |
|                | 36.5 mm Ø Straight (L=175.2) | ●     | ●      | ●   | ●   |      |     |     |      |     |      |      |      |      |      |      |      |
|                | 5/16" Tapered                |       |        |     |     |      |     |     |      |     |      |      |      | ●    | ●    | ●    |      |
|                | 7/16" Tapered                |       |        |     |     |      |     |     |      |     |      |      |      |      |      |      |      |
|                | M10 Tapered                  |       |        |     |     |      |     |     |      |     |      |      |      |      |      |      |      |
| Muffler        | Side mount                   |       |        |     |     |      |     |     |      |     |      |      |      |      |      |      |      |
|                | High-R                       | (●)   | (●)    | (●) | (●) | (●)  | (●) | (●) | (●)  | (●) | (●)  | (●)  | (●)  | (●)  | (●)  | (●)  | (●)  |
|                | High-L                       | (●)   | (●)    | (●) | (●) | (●)  | (●) | (●) | (●)  | (●) | (●)  | (●)  | (●)  | (●)  | (●)  | (●)  | (●)  |
| Spark arrester |                              | (●)   | (●)    | (●) | (●) | (●)  | (●) | (●) | (●)  | (●) | (●)  | (●)  | (●)  | (●)  | (●)  | (●)  | (●)  |
| Control box    |                              | ●     |        | ●   | ●   | ●    |     | ●   | ●    | ●   | ●    | ●    |      | ●    | ●    | ●    |      |

## Fuel hose, general purpose hoses and vinyl hose

- The standard part fuel hose, general purpose hose and vinyl hose may be substituted by the coiled bulk part.
- When ordering the standard part fuel hose, general purpose hose and vinyl hose use the bulk part number written in the parts catalog in brackets ( ) underneath the part name.
- When exchanging the hose, cut and use at the specified length as mentioned in the part name.  
(For the method of cutting the bulk part, and method of filling out orders etc., please refer to the instructions issued with the bulk part.)

### Bulk part number of fuel hose, general purpose hose and vinyl hose.

Example: 9 5 0 0 1 - 7 5 0 0 1 - 5 0 M

**Bulk part number:**  
Refers to the bulk part.

**Marking code (fuel hose and general purpose hose)**

**Change code (Vinyl hose)**

Indicates number mark or change sequence, however, the code for the bulk part must be strictly 0 (zero).

**Types of code:**

- |             |  |                |  |              |   |
|-------------|--|----------------|--|--------------|---|
| • Fuel hose | 2: Red outside braid<br>(3 mm inside dia. only)        | • General hose | 1: Ash gray<br>2: Ash gray<br>3: Black<br>5: Black | • Vinyl hose | 1: Clear<br>2: Black<br>3: Light red<br>6: Light red<br>7: Pale black |
|             | 5: Black inside braid                                  |                |  |              |   |
|             | 3: Red (3 mm inside dia. only)                         |                |  |              |   |
|             | 4: Ash gray with red stripe<br>(3 mm inside dia. only) |                |  |              |   |
|             | 6: Black   |                |  |              |   |

**Lengths:**

- 001: 1 m (standard)  
003: 3 m  
008: 8 m } Application or specification of some parts is not settled.

**I.D code: (fuel hose and general purpose hose)**

- |            |                    |                    |                             |                             |
|------------|--------------------|--------------------|-----------------------------|-----------------------------|
| 30: 3.0 mm | 50: 5.0 mm         | 70: 7.0 mm         | 11: 11 mm                   | 12: 12 (outside dia. 17) mm |
| 35: 3.5 mm | 55: 5.3 mm, 5.5 mm | 75: 7.3 mm, 7.5 mm | 91: 12 (outside dia. 15) mm | 14: 14 mm                   |
| 45: 4.5 mm | 65: 6.5 mm         | 80: 8.0 mm         | 92: 12 (outside dia. 16) mm | 17: 17 mm                   |

**ID./OD. code: (vinyl hose)**

- |                         |                          |                           |                           |                           |
|-------------------------|--------------------------|---------------------------|---------------------------|---------------------------|
| 01: ID. 2.9, OD. 6.8 mm | 12: ID. 5.0, OD. 7.0 mm  | 21: ID. 8.0, OD. 9.0 mm   | 37: ID. 11.0, OD. 15.0 mm | 50: ID. 16.0, OD. 19.0 mm |
| 03: ID. 3.0, OD. 6.0 mm | 10: ID. 5.0, OD. 8.0 mm  | 23: ID. 8.0, OD. 12.0 mm  | 38: ID. 12.0, OD. 13.0 mm | 55: ID. 17.5, OD. 20.5 mm |
| 05: ID. 3.5, OD. 6.5 mm | 11: ID. 5.0, OD. 9.0 mm  | 25: ID. 9.0, OD. 11.0 mm  | 39: ID. 12.0, OD. 14.0 mm | 60: ID. 22.0, OD. 27.0 mm |
| 07: ID. 4.0, OD. 7.0 mm | 14: ID. 6.0, OD. 9.0 mm  | 27: ID. 9.0, OD. 13.0 mm  | 40: ID. 12.0, OD. 16.0 mm |                           |
| 08: ID. 4.5, OD. 6.5 mm | 17: ID. 7.0, OD. 9.0 mm  | 33: ID. 10.0, OD. 14.0 mm | 43: ID. 13.0, OD. 15.0 mm |                           |
| 09: ID. 4.5, OD. 8.0 mm | 19: ID. 7.0, OD. 11.0 mm | 36: ID. 11.0, OD. 13.0 mm | 45: ID. 14.0, OD. 18.0 mm |                           |

**Hose type:**

- 1: Fuel hose  
3: Vinyl hose  
5: General hose

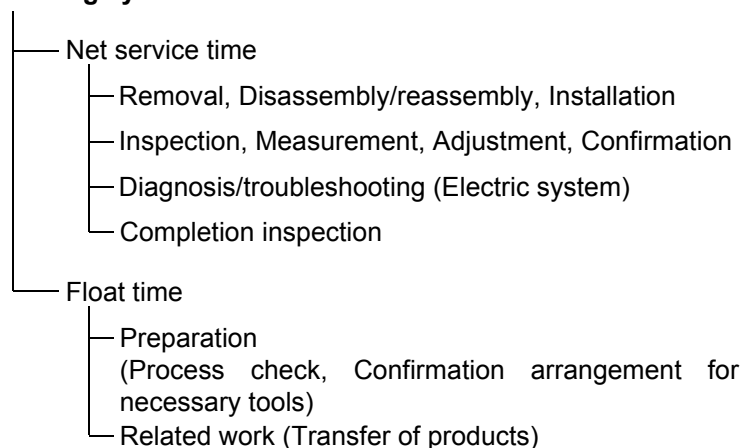
⊙ **CAUTION: It is DANGEROUS to confuse the fuel hose with the general purpose hose or vinyl hose.**

Never use a general purpose hose or vinyl hose in place of a fuel hose or vice versa. Always use the correct bulk part in the parts catalogue, according to the service manual or the instructions issued with the bulk part.

## FLAT RATE SERVICE TIME

Flat rate service time (FRT) means the standard time required to service a product, which is listed in this manual to help the dealers control the actual working process and calculate the service charge by using it as a guide.

### FRT setting system



\* Float time is set by multiplying the net service time by a given coefficient.

### Editorial style

The service items shown in the text are listed with the exchange work time for the repair sales parts as the subject. Other representative service items not using repair parts (removal/installation, adjustment, inspection/measuring, and other work) are listed collectively in the list in the preface, classified according to the work.

### FRT setting standard

- Decimal system (in unit of 0.1) is adopted to set FRT as it is convenient to calculate the wage.  
Example: (0.1) → 6 minutes, (0.2) → 12 minutes  
[Labor cost per hour] x [FRT] = [Wage]
- FRT is set with a hand tool.
- Service items and FRT can be subject to change depending on development of tools and service equipment and improvement in service procedure.

**Work procedure**

- As the work procedure is set with the work time according to the method in the separate Service Manual, refer to this Manual as required.
- Work methods permitting servicing in the shortest time still permitting assurance of safe work and product warranty are used for the setting of service items not listed in the Service Manual.
- Work basically is to be performed by one person, and when two or more people are required, setting is done as the total time for the number of people.
- The set value for the technological level of the workers uses a person with three years of experience in the repair of Honda products as the standard.
- Special tools and service equipment used to set FRT are those specified or recommended in Service Manual.

**Service item whose FRT is not presented**

- Accessories and service parts that are not listed to use in this manual.
  - Locations with little aging deterioration or breakage during normal use.
  - Service work that can be finished by one touch.
  - Service work that is seldom done (i.e. extremely small causes of trouble and service frequency).
  - Products and parts whose location for installation differs according to its status of use and application.
- \* When FRT is not presented, please calculate wages based on appropriate actual work time.

**Operation not included of FRT**

- Oil and coolant water draining, Waiting time for warming up operation and etc..
- Additional operation that involves removal/installation of standard exterior equipment.
- Indirect time spent for service by visiting the customer, trade-in, and delivery.
- Indirect time required for ordering and delivery of parts.
- Cost for grease, adhesive agent, etc. used for service work.



**Explanation of FRT by using an example**  
**(The example may differ from the actual presented items)**

| Ref. No. | L.O.N.  | (Relative ref. Number)<br>Description            | F.R.T. |
|----------|---------|--|--------|
| ①        | 1111L1  | ④<br>VALVE, INTAKE .....4.1                      | ②      |
| ②        |         | ⑧<br>• NOTE: OHV type                            | ⑦      |
| ③        | 1111L1A | ⑦<br>• Includes: Engine removal and installation |        |
|          |         | ⑤<br>One head (intake all) add .....1.4          |        |

- ① Reference No. of the illustration of part that shows location of the replacement work.
- ② FRT is an abbreviation of Flat Rate Time indicating the standard service time required for the replacement.
- ③ LON is an abbreviation of Labor Operation Number, and it is a classification of the service items by the work unit code.

The same operation code is used regardless of the models.

Standard operation is indicated with 6 digits code, and additional operation is indicated with 7 digits code.

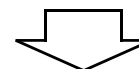
- ④ Indicating the intake valve replacement and FRT4.1.
- ⑤ Indicating FRT1.4 that will be added when additional operation (whole intake side of one cylinder head) is done in association with intake valve replacement.

- ⑥ Indicating work condition or application condition of the service item.
- ⑦ Indicating work contents that are included in the service item.
- ⑧ Indicating a reference No. whose operation and time are the same as FRT4.1 for the intake valve.

(The application range is limited to the service items without an LON setting within a same block.)

**How to refer to the service item by using the sample**  
(intake valve replacement)

Open to the page of the block where the intake valve's spare part illustration is shown.



Look for the intake valve illustration, and refer to the service item and FRT that agree with the reference No.

Indication mark for the listing of service items that continues to the following page

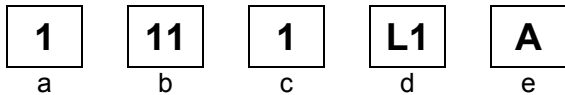
| Ref. No. | L.O.N. | (Relative ref. Number)<br>Description | F.R.T. |
|----------|--------|---------------------------------------|--------|
| 2        | 1111L1 | VALVE, INTAKE .....                   | 4.1    |
|          | .      | .                                     | .      |
|          | .      | .                                     | .      |

+  
Mark indicated at the last line.

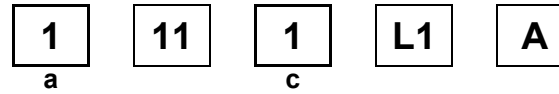
Indication of the block with no setting of FRT

| Ref. No.             | L.O.N. | (Relative ref. Number)<br>Description | F.R.T. |
|----------------------|--------|---------------------------------------|--------|
| NO INFORMATION ..... |        |                                       |        |

• LON code system



- a) Category code..... Engine
- b) Location/function code..... Engine upper
- c) Operation code..... Replace
- d) Operation sequence number (Unit code can be shown with alphabet)  
..... Intake valve  
(No regular rule of code)
- e) Additional code ..... One head (intake all)  
(No regular rule of code)



a) Category codes and classification

| Code | Category       |
|------|----------------|
| 1    | Engine         |
| 2    | Power drive    |
| 3    | Fuel & Exhaust |
| 4    | Frame & Body   |
| 5    | Steering       |
| 6    | Electrical     |
| 7    | Axle & Brake   |
| 8    | Control system |
| 9    | -              |
| 0    | Attachments    |

c) Operation codes and classification

| Code | Operation category                    |
|------|---------------------------------------|
| 1    | Replace, Removal/Installation, Change |
| 2    | Overhaul                              |
| 3    | Adjust, Rotation                      |
| 4    | (Paint-related work: Top-coat)        |
| 5    | Test, Inspect/diagnose, Measurement   |
| 6    | (Overhaul-related work: Rebore)       |
| 7    | (Overhaul-related work: Reseal)       |
| 8    | (Resurface)                           |
| 9    | (Paint-related work: Refinish)        |
| 0    | Repair, Cleaning, Air bleeding        |

Major service items without using spare parts

- (1) Removal/Installation, (2) Adjustment,  
(3) Inspection/Measurement, (4) Overhaul, (5) Other work

E: Engine, T: Transmission, D: Drive system,  
B: Body and related parts

### (1) Removal/Installation

Set with the parts configuration in the status of being removed from the product.

|   | LON    | DESCRIPTION  | FRT |
|---|--------|--|-----|
| E |        | <b>CYLINDER HEAD ASSEMBLY-REMOVAL/INSTALLATION</b> |     |
|   | 1111N0 | LEFT   | 1.4 |
|   | 1111N1 | RIGHT  | 1.4 |
|   | 1111N2 | BOTH   | 1.9 |

### (2) Adjustment

|   | LON    | DESCRIPTION  | FRT |
|---|--------|--|-----|
| E | 1113A1 | <b>VALVE CLEARANCE-ADJUSTMENT</b><br>NOTE: For 1 product | 0.5 |
|   | 1163A0 | <b>CONTROL, THROTTLE/GOVERNOR-ADJUSTMENT</b>             | 0.2 |
|   | 3113A2 | <b>CARBURETOR IDLE-ADJUSTMENT</b>                        | 0.2 |

### (3) Inspection, Measurement, Cleaning

|   | LON    | DESCRIPTION  | FRT |
|---|--------|--|-----|
| E | 1105A0 | <b>ENGINE OIL-INSPECTION</b>   | 0.1 |
|   | 1115A0 | <b>CYLINDER COMPRESSION-TEST</b><br>NOTE: All cylinders                                    | 0.4 |
|   | 1135A0 | <b>ENGINE OIL PRESSURE-TEST</b>  | 0.3 |
|   | 3115A2 | <b>CARBURETOR FLOAT LEVEL-MEASUREMENT</b>  | 0.6 |
|   | 3120A0 | <b>AIR CLEANER-CLEANING</b><br>INCLUDES: Air cleaner-inspection                            | 0.2 |
|   | 3130A0 | <b>SPARK ARRESTER-CLEANING</b><br>INCLUDES: Spark arrester-inspection                      | 0.2 |
|   | 6140A0 | <b>SPARK PLUG-ADJUSTMENT/CLEANING</b><br>INCLUDES: Spark plug check<br>NOTE: For 1 product | 0.2 |

### (4) Overhaul

Work condition: The required Measurements, inspections, adjustments, and cleaning/washing of each part are performed, including the main body removal/installation work and the replacement of defective parts.

|   | LON    | DESCRIPTION  | FRT |
|---|--------|--|-----|
| E | 3112A0 | <b>CARBURETOR-OVERHAUL</b><br>INCLUDES: All necessary adjustment | 1.0 |

### (5) Other work

|   | LON    | DESCRIPTION   | FRT |
|---|--------|---|-----|
| E | 1101E1 | <b>ENGINE OIL-CHANGE</b><br>INCLUDES: Engine oil-inspection | 0.1 |

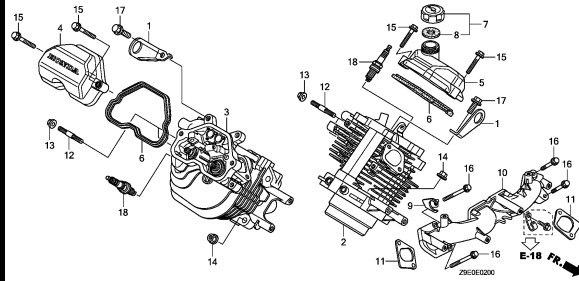
# ENGINE GROUP

C 1

E-2

CYLINDER HEAD

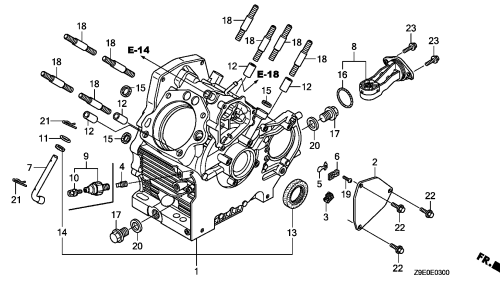
D 1



E-3

CRANKCASE

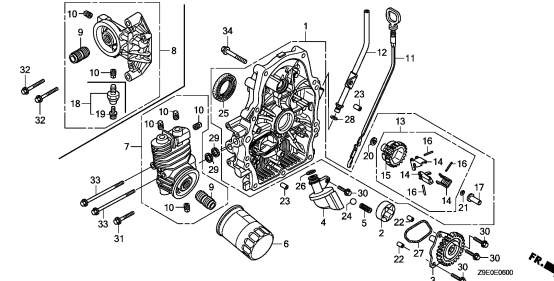
D 3



E-6

CRANKCASE COVER

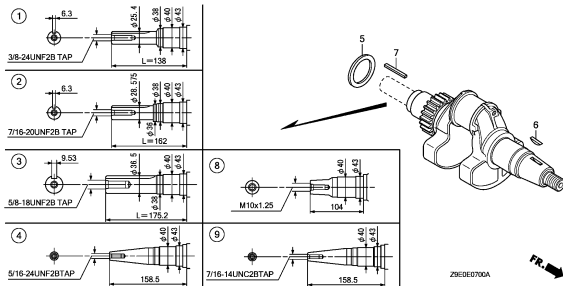
D 5



E-7

CRANKSHAFT

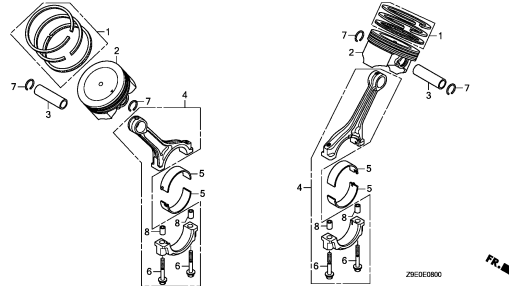
D 7



E-8

PISTON

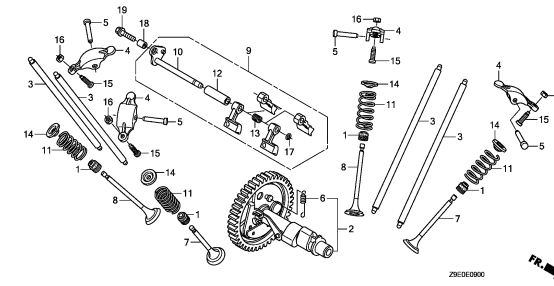
D 8



E-9

CAMSHAFT

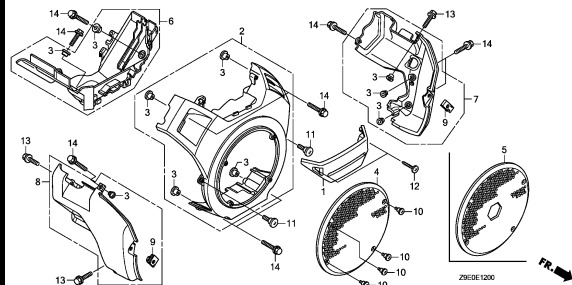
D 9



E-12

FAN COVER

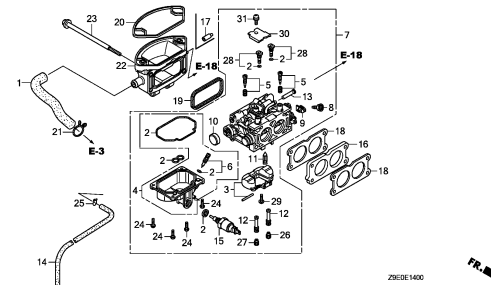
D14



E-14

CARBURETOR

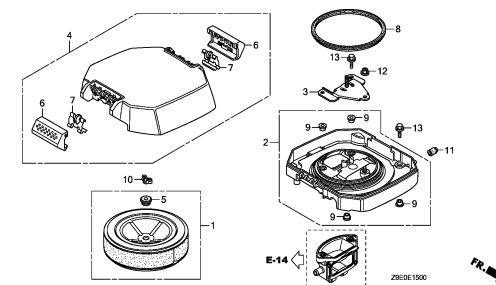
D15



E-15

AIR CLEANER

E 1



2

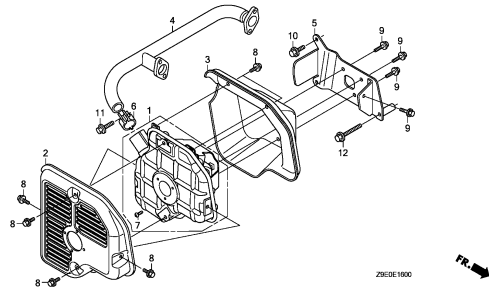
# ENGINE GROUP

C 2

E-16

MUFFLER(SIDE MOUNT)

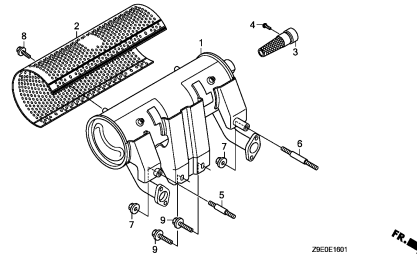
E 2



E-16-1

MUFFLER(HIGH-L)

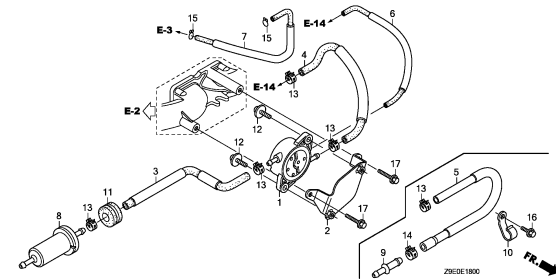
E 3



E-18

FUEL PUMP

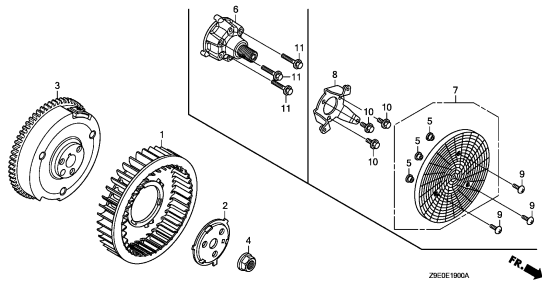
E 4



E-19

FLYWHEEL

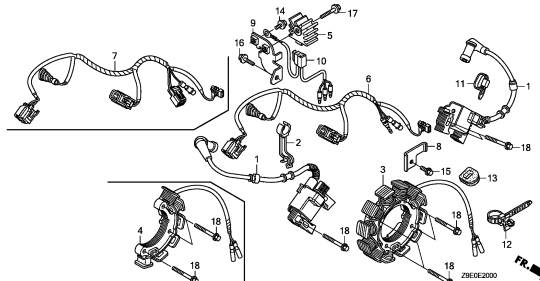
E 6



E-20

IGNITION COIL

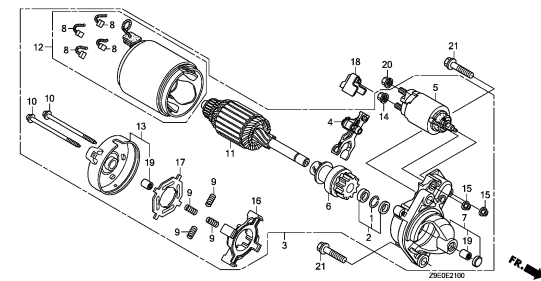
E 7



E-21

STARTER MOTOR

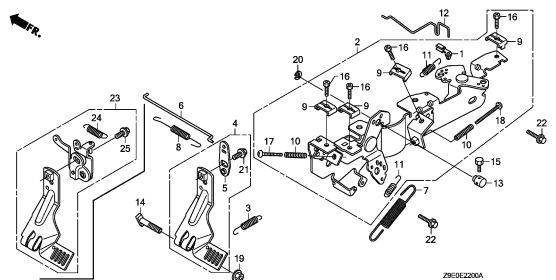
E 9



E-22

CONTROL

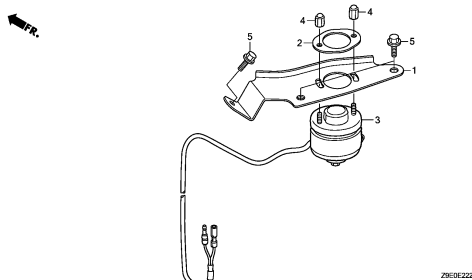
E10



E-22-1

AUTO THROTTLE

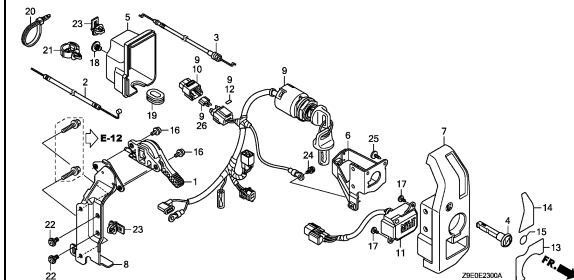
E12



E-23

CONTROL BOX

E13



2

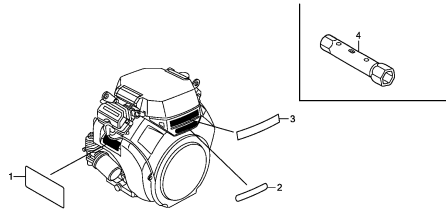
# ENGINE GROUP

C 3

E-28

LABEL/TOOL

E15

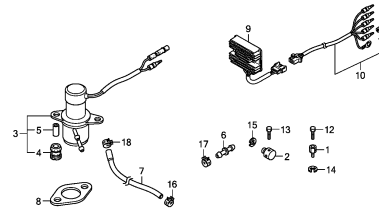


Z60E2800

E-40

OTHER PARTS(FUEL PUMP)(REGULATOR RECTIFIER)

E16

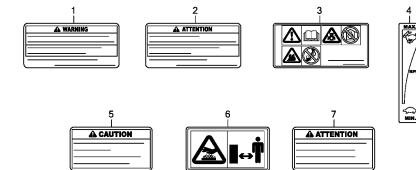


Z60E4000A

E-40-1

OTHER PARTS(LABEL)

F 2

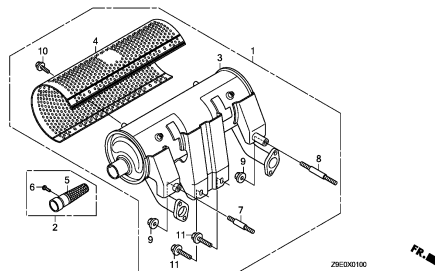


Z60E4001

EOP-1

MUFFLER KIT(HIGH-R)

F 3

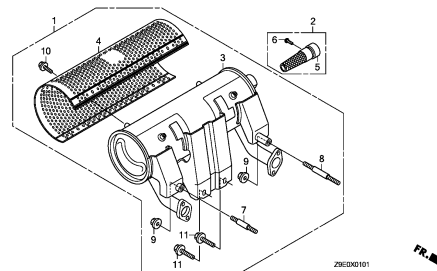


Z60E0100

EOP-1-1

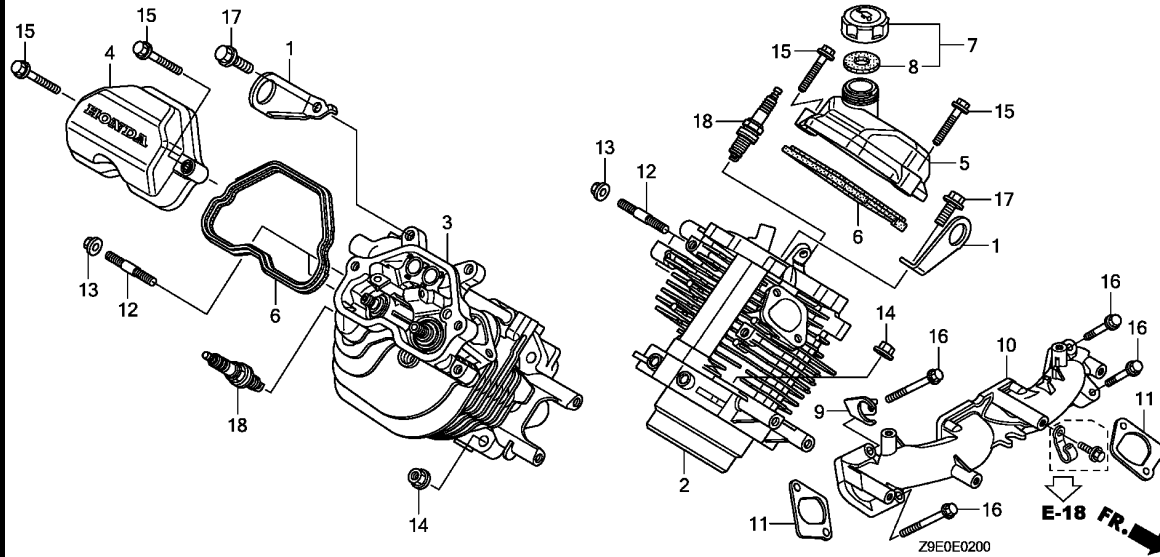
MUFFLER KIT(HIGH-L)

F 5



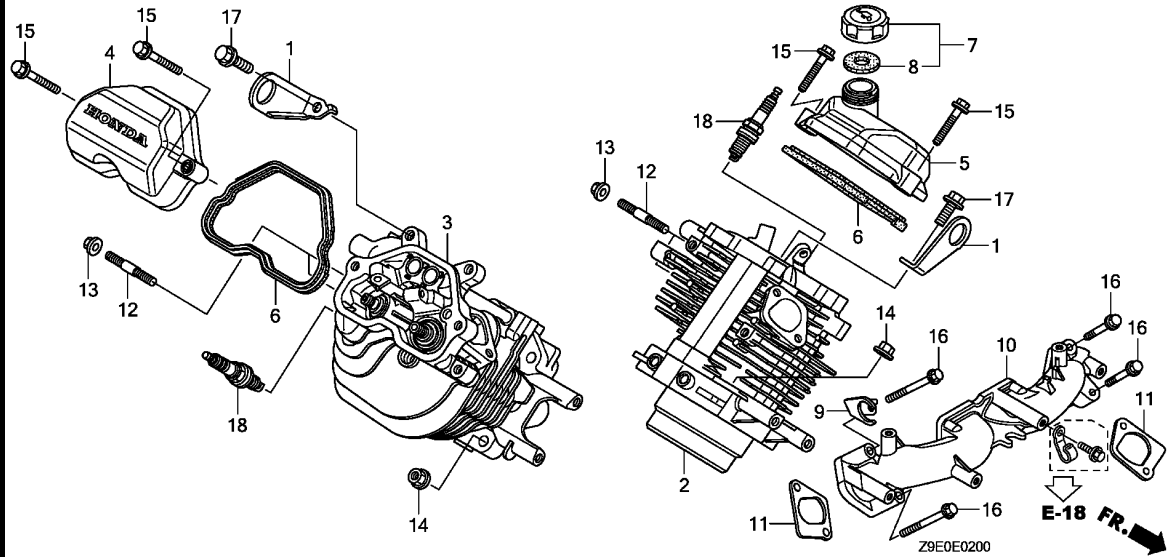
Z60E0101

2



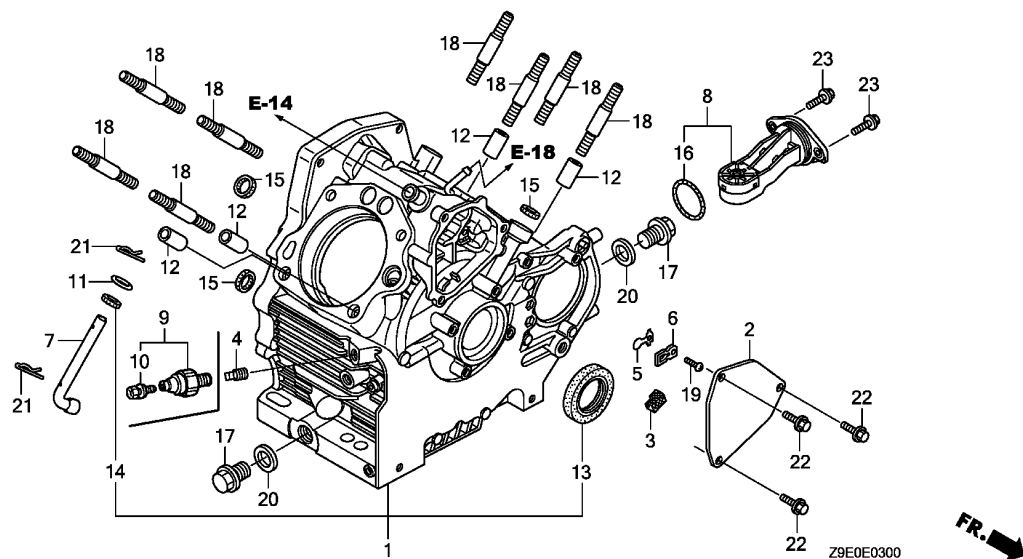
| Ref. No.                         | L.O.N. | (Relative ref. Number) Description   | F.R.T. |
|----------------------------------|--------|--|--------|
| 2                                | 1111F2 | HEAD, CYLINDER :LEFT BANK ....<br>.INCLUDES: Valve clearance adjustment and reface | 2.1    |
|                                  | 1111L4 | HEAD, CYLINDER :BOTH BANKS ...<br>.INCLUDES: Valve clearance adjustment and reface | 3.3    |
| 3                                | 1111F3 | HEAD, CYLINDER :RIGHT BANK ...<br>.INCLUDES: Valve clearance adjustment and reface | 2.1    |
|                                  | 1111L4 | HEAD, CYLINDER :BOTH BANKS ...<br>.INCLUDES: Valve clearance adjustment and reface | 3.3    |
| 4                                | 1111D4 | COVER, CYLINDER HEAD AND/OR PACKING, HEAD COVER :RIGHT ..                          | 0.2    |
|                                  | 1111L5 | COVER, CYLINDER HEAD AND/OR PACKING, HEAD COVER :BOTH ...                          | 0.3    |
| 5                                | 1111D3 | COVER, CYLINDER HEAD AND/OR PACKING, HEAD COVER :LEFT ...                          | 0.2    |
|                                  | 1111L5 | COVER, CYLINDER HEAD AND/OR PACKING, HEAD COVER :BOTH ...                          | 0.3    |
| 10                               | 3111C4 | MANIFOLD, INTAKE .....   | 0.7    |
| 11                               | 3111M6 | PACKING, INTAKE MANIFOLD :LEFT   | 0.7    |
| + .NOTE: Same time for two units |        |  |        |

| Ref. No. | Part No.       | Description                   | Reqd. QTY |         |         | Serial No. | Parts catalogue code |
|----------|----------------|-------------------------------|-----------|---------|---------|------------|----------------------|
|          |                |                               | GX 630R   | GX 660R | GX 690R |            |                      |
| 1        | 11911-Z6L-000  | HANGER, ENGINE .....          | 2         | 2       | 2       |            |                      |
| 2        | 12110-Z6L-000  | HEAD COMP., CYLINDER (#1) ... | 1         | 1       | 1       |            |                      |
| 3        | 12120-Z6L-000  | HEAD COMP., CYLINDER (#2) ... | 1         | 1       | 1       |            |                      |
| 4        | 12311-Z6L-000  | COVER, CYLINDER HEAD .....    | 1         | 1       | 1       |            |                      |
| 5        | 12311-Z6L-800  | COVER, CYLINDER HEAD .....    | 1         | 1       | 1       |            |                      |
| 6        | 12312-Z6L-000  | PACKING, HEAD COVER .....     | 2         | 2       | 2       |            |                      |
| 7        | 15600-Z6L-000  | CAP ASSY., OIL FILLER .....   | 1         | 1       | 1       |            |                      |
| 8        | 15625-Z6L-000  | PACKING, OIL FILLER CAP ..... | 1         | 1       | 1       |            |                      |
| 9        | 16722-Z6L-000  | STAY, FUEL TUBE GROMMET ..... | 1         | 1       | 1       |            |                      |
| 10       | 17101-Z6L-000  | MANIFOLD, INTAKE .....        | 1         | 1       | 1       |            |                      |
| 11       | 17151-Z6L-000  | PACKING, INTAKE MANIFOLD .... | 2         | 2       | 2       |            |                      |
| 12       | 92900-08022-0E | BOLT, STUD, 8X22 .....        | 4         | 4       | 4       |            |                      |
| 13       | 94050-08000    | NUT, FLANGE, 8MM .....        | 4         | 4       | 4       |            |                      |
| 14       | 94050-10000    | NUT, FLANGE, 10MM .....       | 8         | 8       | 8       |            |                      |
| 15       | 95701-06030-00 | BOLT, FLANGE, 6X30 .....      | 4         | 4       | 4       |            |                      |
| 16       | 95701-06050-00 | BOLT, FLANGE, 6X50 .....      | 4         | 4       | 4       |            |                      |
| 17       | 95701-08016-00 | BOLT, FLANGE, 8X16 .....      | 2         | 2       | 2       |            |                      |
| 18       | 98079-5587G    | PLUG, SPARK (ZFR5F) .....     | 2         | 2       | 2       |            |                      |



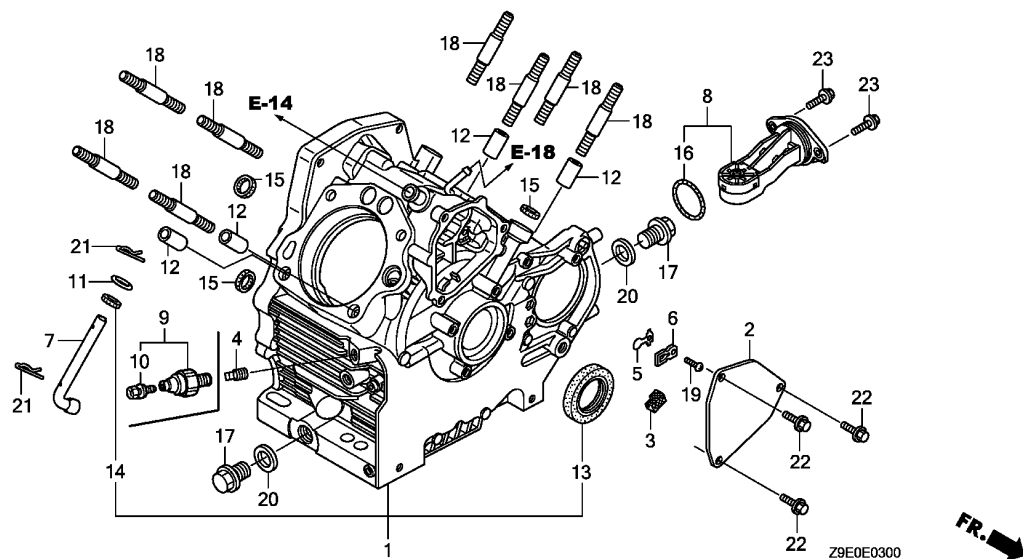
| Ref. No. | L.O.N. | (Relative ref. Number)<br>Description    | F.R.T. |
|----------|--------|--|--------|
| +11      | 3111M7 | PACKING, INTAKE MANIFOLD<br>:RIGHT ..... | 0.7    |
|          |        | .NOTE: Same time for two units           |        |
| 18       | 6141E6 | PLUG, SPARK :LEFT BANK .....             | 0.1    |
|          |        | .INCLUDES: Spark plug check              |        |
|          | 6141E7 | PLUG, SPARK :RIGHT BANK .....            | 0.1    |
|          |        | .INCLUDES: Spark plug check              |        |
|          | 6141E8 | PLUG, SPARK :BOTH BANKS .....            | 0.2    |
|          |        | .INCLUDES: All spark plug<br>check       |        |





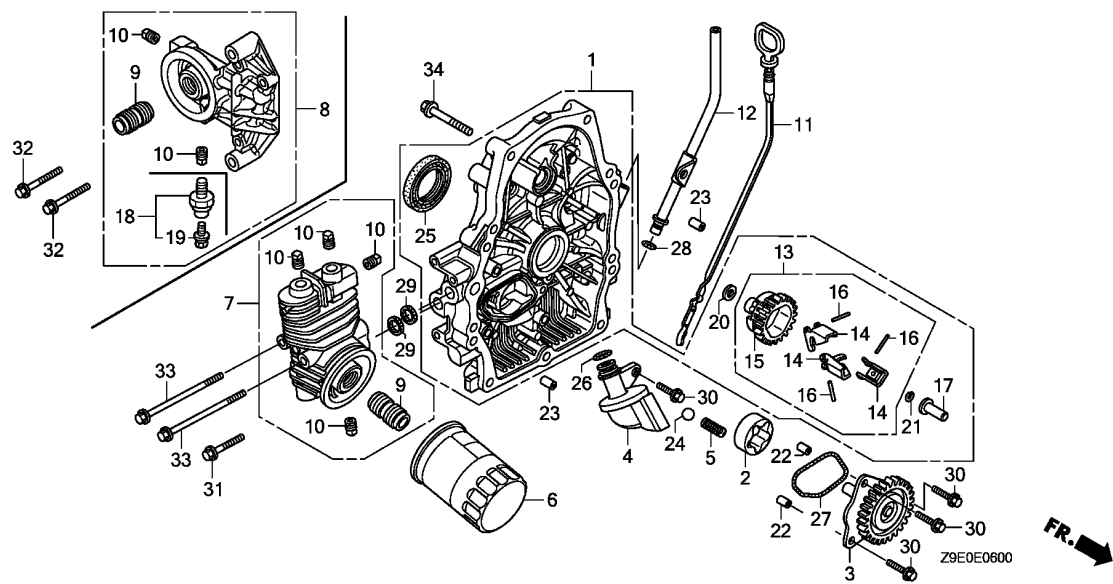
| Ref. No. | L.O.N. | (Relative ref. Number) Description | F.R.T. |
|----------|--------|------------------------------------|--------|
| 1        | 1101B7 | CRANKCASE .....                    | 3.9    |
| 3        |        | (2)                                |        |
| 5        | 1111E5 | FILTER, BREATHER .....             | 1.0    |
| 6        |        | (6)                                |        |
| 7        | 1171A8 | VALVE, OIL OUTLET .....            | 1.0    |
| 7        | 1161B4 | SHAFT, GOVERNOR ARM .....          | 3.0    |
| 8        |        | (16)                               |        |
| 8        | 6151E8 | SWITCH, OIL LEVEL .....            | 0.2    |
| 9        | 6151E4 | SWITCH, OIL PRESSURE .....         | 0.2    |
| 13       | 1101E4 | OIL SEAL, CRANKSHAFT :FRONT ..     | 3.0    |
| 14       | 1101C4 | OIL SEAL, GOVERNOR ARM SHAFT ..    | 3.0    |
| 15       | 1101T8 | PACKING, OIL PASS .....            | 0.8    |
|          | 1111AS | PACKING, OIL PASS :LEFT BANK ..    | 1.4    |
|          | 1111AT | PACKING, OIL PASS :RIGHT BANK ..   | 1.4    |
|          | 1111AU | PACKING, OIL PASS :BOTH BANKS ..   | 1.9    |

| Ref. No. | Part No.      | Description                   | Reqd. QTY |         |         | Serial No. | Parts catalogue code   |
|----------|---------------|-------------------------------|-----------|---------|---------|------------|--|
|          |               |                               | GX 630R   | GX 660R | GX 690R |            |  |
| 1        | 11100-Z6L-000 | CRANKCASE ASSY. ....          | 1         | 1       | 1       | -----      | BAF,BDW,QAB,QAF,QAF1,QAF3,QDF,QDF2,QDW,QWF2,QYF,TAF,TDW,VAF6,VDC2  |
|          | 11100-Z6L-800 | .....                         | 1         | 1       | 1       | -----      | BXF,BXF5,QXA,QXC2,QXF,QXF4,QXF5,QXF6,QZA,QZA5,QZB,QZB2,QZB3,QZE,QZE3,QZE4,QZF8,TXA2,TF,TF4,TF5,TF7,TF9,VD,VDB2,VEP4,VXA1,VXD,VXD4,VXD8,VXE1,VXE2,VXE4,VXE8,VXF,VXF4,VXP2,VZA,VZA2                                |
|          | 11100-Z6L-810 | .....                         | 1         | -       | -       | -----      | QYD  |
|          | 11100-Z6L-820 | .....                         | 1         | -       | -       | -----      | QXB1   |
| 2        | 12356-Z6L-000 | COVER, BREATHER .....         | 1         | 1       | 1       | -----      |  |
| 3        | 12367-Z6L-000 | FILTER, BREATHER .....        | 1         | 1       | 1       | -----      |  |
| 4        | 15424-Z6L-000 | BOLT, SEALING .....           | 1         | 1       | 1       | -----      | BDW,BXF,BXF5,QAB,QDF,QDF2,QDW,QXA,QXB1,QXC2,QXF,QXF4,QXF5,QXF6,QZA,QZA5,QZB,QZB2,QZB3,QZE,QZE3,QZE4,QZF8,TDW,TXA2,TF,TF4,TF5,TF9,VD,VDB2,VDC2,VEP4,VXA1,VXD,VXD4,VXD8,VXE1,VXE2,VXE4,VXE8,VXF,VXF4,VXP2,VZA,VZA2 |
| 5        | 15571-ZM7-003 | VALVE, OIL OUTLET .....       | 1         | 1       | 1       | -----      |  |
| 6        | 15572-Z6L-000 | PLATE, STOPPER .....          | 1         | 1       | 1       | -----      |  |
| 7        | 16541-Z6L-000 | SHAFT, GOVERNOR ARM .....     | 1         | 1       | 1       | -----      |  |
| 8        | 35480-Z6L-003 | SWITCH ASSY., OIL LEVEL ..... | 1         | 1       | 1       | -----      | BXF,BXF5,QXA,QXB1,QXC2,QXF,QXF4,QXF5,QXF6,QZA,QZA5,QZB,QZB2,QZB3,QZE,QZE3,QZE4,QZF8,TXA2,TF,TF4,TF5,TF7,TF9,VD,VDB2,VEP4,VXA1,VXD,VXD4,VXD8,VXE1,VXE2,VXE4,VXE8,VXF,VXF4,VXP2,VZA,VZA2                           |
| 9        | 37240-ZG5-004 | SWITCH, OIL PRESSURE .....    | 1         | 1       | 1       | -----      | BAF,QAF,QAF1,QAF3,QWF2,QYD,QYF,TAF,TF7,VAF6  |
| 10       | 90002-ZG5-004 | SCREW-WASHER, 4X8 .....       | 1         | 1       | 1       | -----      | BAF,QAF,QAF1,QAF3,QWF2,QYD,QYF,TAF,TF7,VAF6  |
| 11       | 90404-Z6L-000 | WASHER, PLAIN (10MM) .....    | 1         | 1       | 1       | -----      |  |
| 12       | 90709-Z6L-000 | DOWEL PIN, 12X20 .....        | 4         | 4       | 4       | -----      |  |
| 13       | 91201-Z6L-003 | OIL SEAL, 38X58X9 .....       | 1         | 1       | 1       | -----      |  |
| 14       | 91203-Z6L-003 | OIL SEAL, 10X16X5 .....       | 1         | 1       | 1       | -----      |  |
| 15       | 91308-Z6L-003 | PACKING, OIL PASS .....       | 3         | 3       | 3       | -----      |  |



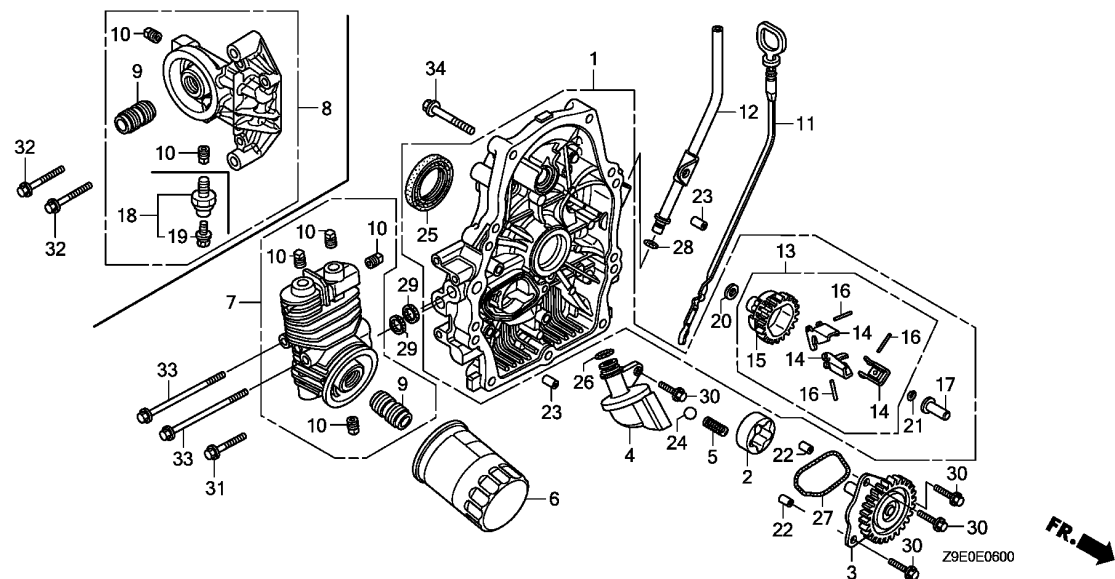
| Ref. No. | Part No.       | Description                    | Reqd. QTY |         |         | Serial No. | Parts catalogue code  |
|----------|----------------|--------------------------------|-----------|---------|---------|------------|---|
|          |                |                                | GX 630R   | GX 660R | GX 690R |            |   |
| 16       | 91309-Z6L-000  | O-RING, 37.9X2.4 .....         | 1         | 1       | 1       | -----      | BXF,BXF5,QXA,QXB1,QXC2,QXF,QXF4,QXF5,QXF6,QZA,QZA5,QZB,QZB2,QZB3,QZE,QZE3,QZE4,QZF8,TXA2,TFX,TFX4,TFX5,TFX7,TFX9,VD,VDB2,VEP4,VXA1,VXD,VXD4,VXD8,VXE1,VXE2,VXE4,VXE8,VXF,VXF4,VXP2,VZA,VZA2 |
| 17       | 92800-20000    | BOLT, DRAIN PLUG, 20MM .....   | 2         | 2       | 2       |            |   |
| 18       | 92900-10040-0B | BOLT, STUD, 10X40 .....        | 8         | 8       | 8       |            |   |
| 19       | 93500-03008-0A | SCREW, PAN, 3X8 .....          | 1         | 1       | 1       |            |   |
| 20       | 94109-20000    | WASHER, DRAIN PLUG, 20MM ..... | 2         | 2       | 2       |            |   |
| 21       | 94251-10000    | PIN, LOCK, 10MM .....          | 2         | 2       | 2       |            |   |
| 22       | 95701-06014-00 | BOLT, FLANGE, 6X14 .....       | 3         | 3       | 3       |            |   |
| 23       | 95701-06016-00 | BOLT, FLANGE, 6X16 .....       | 2         | 2       | 2       | -----      | BXF,BXF5,QXA,QXB1,QXC2,QXF,QXF4,QXF5,QXF6,QZA,QZA5,QZB,QZB2,QZB3,QZE,QZE3,QZE4,QZF8,TXA2,TFX,TFX4,TFX5,TFX7,TFX9,VD,VDB2,VEP4,VXA1,VXD,VXD4,VXD8,VXE1,VXE2,VXE4,VXE8,VXF,VXF4,VXP2,VZA,VZA2 |





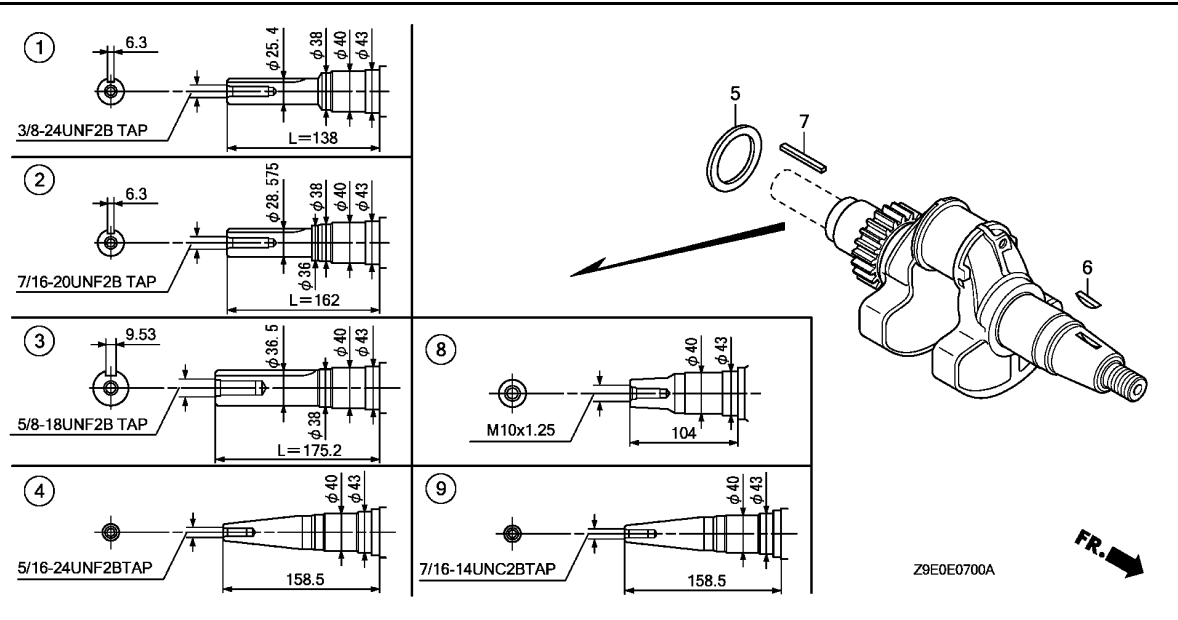
| Ref. No. | L.O.N. | (Relative ref. Number) Description    | F.R.T. |
|----------|--------|---------------------------------------|--------|
| 1        | 1101F1 | COVER, CRANKCASE .....                | 1.2    |
| 2        |        | (5,24)                                |        |
| 3        | 1131B3 | ROTOR, OIL PUMP OUTER .....           | 0.9    |
| 4        |        | (27)                                  |        |
| 5        | 1131A4 | GEAR, OIL PUMP .....                  | 0.9    |
| 6        |        | (26)                                  |        |
| 7        | 1131B5 | STRAINER, OIL .....                   | 0.9    |
| 8        | 110175 | CARTRIDGE, OIL FILTER .....           | 0.2    |
| 9        |        | (29)                                  |        |
| 10       | 1101A2 | BASE, OIL FILTER .....                | 0.3    |
| 11       |        | (29)                                  |        |
| 12       | 1101T7 | BASE, OIL FILTER(A) .....             | 0.4    |
| 13       |        | .NOTE: Side mount type                |        |
| 14       | 1161C4 | GOVERNOR ASSEMBLY .....               | 0.9    |
| 15       |        | (14,16)                               |        |
| 16       | 1161A7 | HOLDER, GOVERNOR WEIGHT .....         | 1.0    |
| 17       | 1161B6 | SLIDER, GOVERNOR .....                | 0.9    |
| 18       | 6151E4 | SWITCH, OIL PRESSURE .....            | 0.2    |
| 19       | 25     | 1101E5 OIL SEAL, CRANKSHAFT :REAR ... | 0.9    |

| Ref. No. | Part No.      | Description                          | Reqd. QTY |         |         | Serial No. | Parts catalogue code  |
|----------|---------------|--------------------------------------|-----------|---------|---------|------------|---|
|          |               |                                      | GX 630R   | GX 660R | GX 690R |            |   |
| 1        | 11300-Z6L-000 | COVER ASSY., CRANKCASE .....         | 1         | 1       | 1       |            |   |
| 2        | 15133-Z6L-000 | ROTOR, OIL PUMP OUTER .....          | 1         | 1       | 1       |            |   |
| 3        | 15140-Z6L-000 | GEAR COMP., OIL PUMP .....           | 1         | 1       | 1       |            |   |
| 4        | 15220-Z6L-000 | STRAINER COMP., OIL .....            | 1         | 1       | 1       |            |   |
| 5        | 15232-Z6L-000 | SPRING, RELIEF VALVE .....           | 1         | 1       | 1       |            |   |
| 6        | 15400-RTA-004 | CARTRIDGE, OIL FILTER<br>(TOYO ROKI) | 1         | 1       | 1       |            |   |
| 7        | 15410-Z6L-000 | BASE COMP., OIL FILTER .....         | 1         | -       | -       | -----      | QAF,QAF1,QAF3,QDF,QDF2,QDW,QWF2,QXC2,QXF,QXF4,QXF5,QXF6,QYD,QYF<br>QZA5,QZB3,QZE,QZE3,QZE4,QZF8,VAF6,VD,VDC2,VEP4,VXD,VXD4,VXD8,VXE1<br>VXE2,VXE8,VXF,VXF4,VXP2 |
| 8        | 15410-Z6L-800 | BASE COMP., OIL FILTER .....         | 1         | -       | 1       | -----      | QXA,QXB1,QZA,QZB,QZB2,VDB2,VXA1,VZA,VZA2  |
|          | 15410-Z6L-820 | .....                                | 1         | -       | -       | -----      | QAB   |
| 9        | 15423-Z6L-000 | HOLDER, OIL FILTER .....             | 1         | 1       | 1       |            |   |
| 10       | 15424-Z6L-000 | BOLT, SEALING .....                  | 1         | -       | -       | -----      | QAB   |
|          |               |                                      | 2         | -       | -       | -----      | QXA,QXB1,QZA,QZB,QZB2,VDB2,VXA1,VZA,VZA2  |
|          |               |                                      | 4         | -       | -       | -----      | QAF,QAF1,QAF3,QDF,QDF2,QDW,QWF2,QXC2,QXF,QXF4,QXF5,QXF6,QYD,QYF<br>QZA5,QZB3,QZE,QZE3,QZE4,QZF8,VAF6,VD,VDC2,VEP4,VXD,VXD4,VXD8,VXE1<br>VXE2,VXE8,VXF,VXF4,VXP2 |
|          |               |                                      | -         | 4       | 4       |            |   |
| 11       | 15655-Z6L-000 | GAUGE COMP., OIL LEVEL .....         | 1         | 1       | 1       |            |   |
| 12       | 15665-Z6L-000 | PIPE COMP., OIL LEVEL .....          | 1         | 1       | 1       |            |   |
| 13       | 16510-Z6L-000 | GOVERNOR ASSY. ....                  | 1         | 1       | 1       |            |   |
| 14       | 16511-Z6L-300 | WEIGHT, GOVERNOR .....               | 3         | 3       | 3       |            |   |
| 15       | 16512-Z6L-300 | HOLDER, GOVERNOR WEIGHT .....        | 1         | 1       | 1       |            |   |
| 16       | 16513-Z6L-000 | PIN, GOVERNOR WEIGHT .....           | 3         | 3       | 3       |            |   |



| Ref. No. | Part No.       | Description                    | Reqd. QTY |         |         | Serial No. | Parts catalogue code  |
|----------|----------------|--------------------------------|-----------|---------|---------|------------|---|
|          |                |                                | GX 630R   | GX 660R | GX 690R |            |   |
| 17       | 16531-Z6L-000  | SLIDER, GOVERNOR .....         | 1         | 1       | 1       |            |   |
| 18       | 37240-ZG5-004  | SWITCH, OIL PRESSURE .....     | 1         | -       | -       | -----      | QAB   |
| 19       | 90002-ZG5-004  | SCREW-WASHER, 4X8 .....        | 1         | -       | -       | -----      | QAB   |
| 20       | 90403-Z6L-000  | WASHER, 6X16 .....             | 1         | 1       | 1       |            |   |
| 21       | 90602-ZE1-000  | CLIP, GOVERNOR HOLDER .....    | 1         | 1       | 1       |            |   |
| 22       | 90707-Z6L-000  | DOWEL PIN, 8X10 .....          | 2         | 2       | 2       |            |   |
| 23       | 90708-Z6L-000  | DOWEL PIN, 8X14 .....          | 2         | 2       | 2       |            |   |
| 24       | 90902-Z6L-000  | BALL, STEEL, #15 (15/32) ..... | 1         | 1       | 1       |            |   |
| 25       | 91202-Z6L-003  | OIL SEAL, 38X58X9 .....        | 1         | 1       | 1       |            |   |
| 26       | 91301-Z6L-003  | O-RING, 14.8X2.4 .....         | 1         | 1       | 1       |            |   |
| 27       | 91302-Z6L-003  | O-RING, OIL PUMP .....         | 1         | 1       | 1       |            |   |
| 28       | 91308-PH9-000  | O-RING, 8.8X1.9 .....          | 1         | 1       | 1       |            |   |
| 29       | 91308-Z6L-003  | PACKING, OIL PASS .....        | 2         | 2       | 2       |            |   |
| 30       | 95701-06020-00 | BOLT, FLANGE, 6X20 .....       | 4         | 4       | 4       |            |   |
| 31       | 95701-06028-00 | BOLT, FLANGE, 6X28 .....       | 1         | 1       | 1       |            |   |
| 32       | 95701-06035-00 | BOLT, FLANGE, 6X35 .....       | 2         | -       | -       | -----      | QAB,QXA,QXB1,QZA,QZB,QZB2,VDB2,VXA1,VZA,VZA2  |
| 33       | 95701-06090-00 | BOLT, FLANGE, 6X90 .....       | 2         | -       | -       | -----      | QAF,QAF1,QAF3,QDF,QDF2,QDW,QWF2,QXC2,QXF,QXF4,QXF5,QXF6,QYD,QYF<br>QZA5,QZB3,QZE,QZE3,QZE4,QZF8,VAF6,VD,VDC2,VEP4,VXD,VXD4,VXD8,VXE1<br>VXE2,VXE8,VXF,VXF4,VXP2 |
| 34       | 95701-08045-00 | BOLT, FLANGE, 8X45 .....       | -         | 2       | 2       |            |   |
|          |                |                                | 9         | 9       | 9       |            |   |

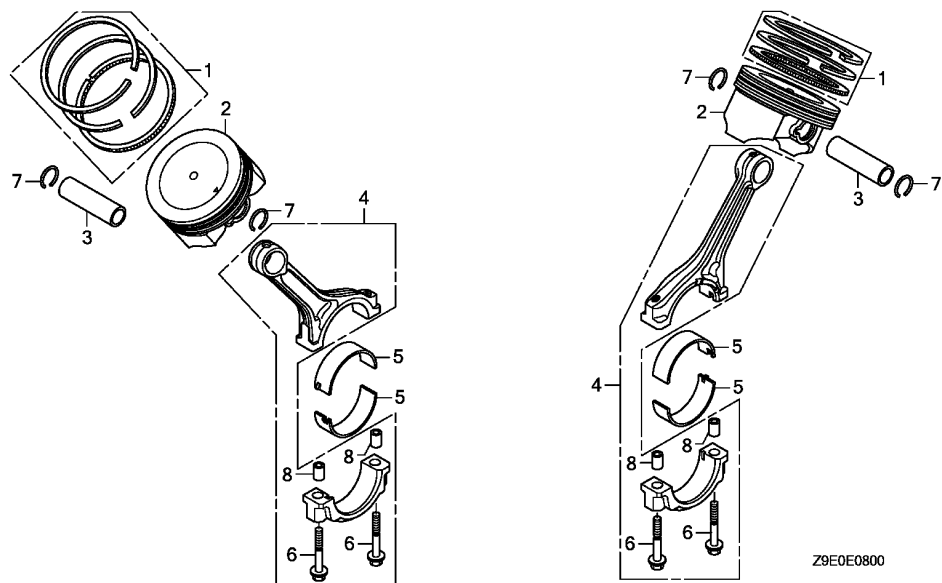




| Ref. No. | L.O.N. | (Relative ref. Number) Description | F.R.T. |
|----------|--------|------------------------------------|--------|
| 1        | 1101F0 | (2,3,4,8,9) CRANKSHAFT             | 3.2    |

| Ref. No. | Part No.      | Description                  | Reqd. QTY |         |         | Serial No. | Parts catalogue code   |
|----------|---------------|------------------------------|-----------|---------|---------|------------|--|
|          |               |                              | GX 630R   | GX 660R | GX 690R |            |  |
| 1        | 13310-Z6L-000 | CRANKSHAFT COMP. (L=138)     | 1         | -       | -       | -----      | QAB,QAF,QAF1,QAF3,QDF,QDF2,QDW,QWF2,QXA,QXB1,QXC2,QXF,QXF4,QXF5,QXF6,QYD,QYF,QZA,QZA5,QZB,QZB2,QZB3,QZE,QZE3,QZE4,QZF8 |
| 2        | 13310-Z6L-600 | CRANKSHAFT COMP. (L=162)     | -         | 1       | 1       | -----      | TAF,TDW,TXA2,TFX,TFX4,TFX5,TFX7,TFX9   |
| 3        | 13310-Z6L-610 | CRANKSHAFT COMP. (L=175.2)   | -         | 1       | 1       | -----      | BAF,BDW,BXF,BXF5   |
| 4        | 13310-Z6L-620 | CRANKSHAFT COMP.             | 1         | 1       | 1       | -----      | VAF6,VDB2,VEP4,VXA1,VXD4,VXD8,VXE1,VXE2,VXE4,VXE8,VXF,VXF4,VXP2,VZA,VZA2   |
| 5        | 90402-Z6L-000 | WASHER, CRANKSHAFT THRUST    | 1         | 1       | 1       | -----      |  |
| 6        | 90741-ZE2-000 | KEY, SPECIAL WOODRUFF, 25X18 | 1         | 1       | 1       | -----      | QXF,QXF4,QZA5,QZE3,QZE4,TFX4,TFX5,TFX9   |
| 7        | 90745-ZE2-600 | KEY, 6.3X6.3X4.3             | 1         | 1       | 1       | -----      | VD,VXD   |
| 8        | 13310-Z6L-630 | CRANKSHAFT COMP.             | 1         | -       | -       | -----      |  |
| 9        | 13310-Z6L-660 | CRANKSHAFT COMP.             | 1         | -       | -       | -----      | VDC2   |

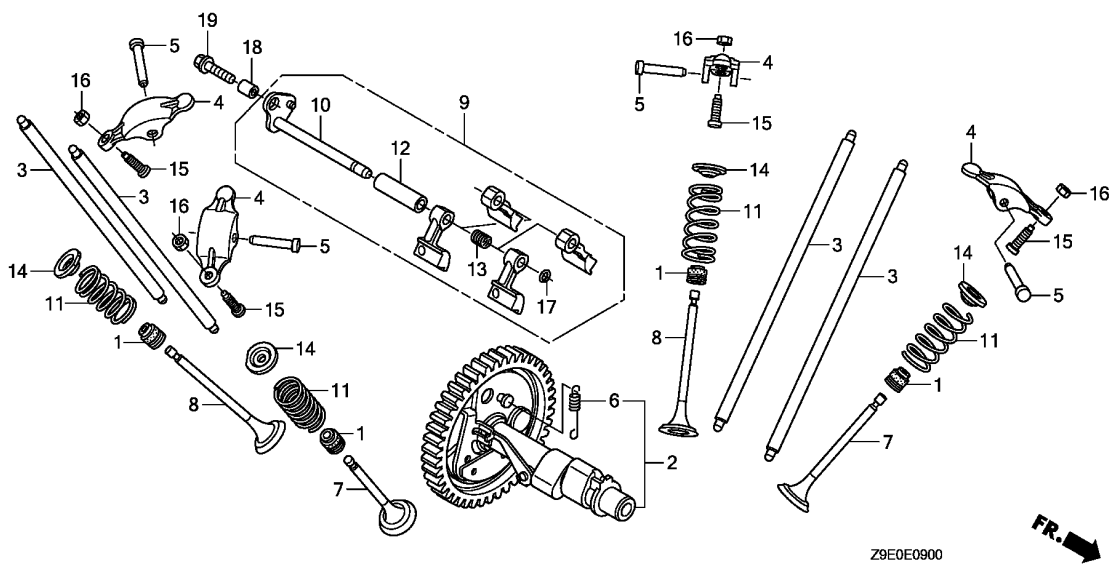
2



| Ref. No. | L.O.N. | (Relative ref. Number)<br>Description        | F.R.T. |
|----------|--------|--|--------|
| 2        |        | (1,3)  |        |
| 1111AP   |        | PISTON AND/OR RING, PISTON :LEFT BANK .....  | 1.9    |
| 1111AQ   |        | PISTON AND/OR RING, PISTON :RIGHT BANK ..... | 1.9    |
| 1111AR   |        | PISTON AND/OR RING, PISTON :BOTH BANKS ..... | 2.6    |
| 4        |        | (5)  |        |
| 1101T3   |        | ROD, CONNECTING :LEFT BANK ...               | 2.7    |
| 1101T4   |        | ROD, CONNECTING :RIGHT BANK ..               | 2.7    |
| 1101T5   |        | ROD, CONNECTING :BOTH BANKS ..               | 3.2    |

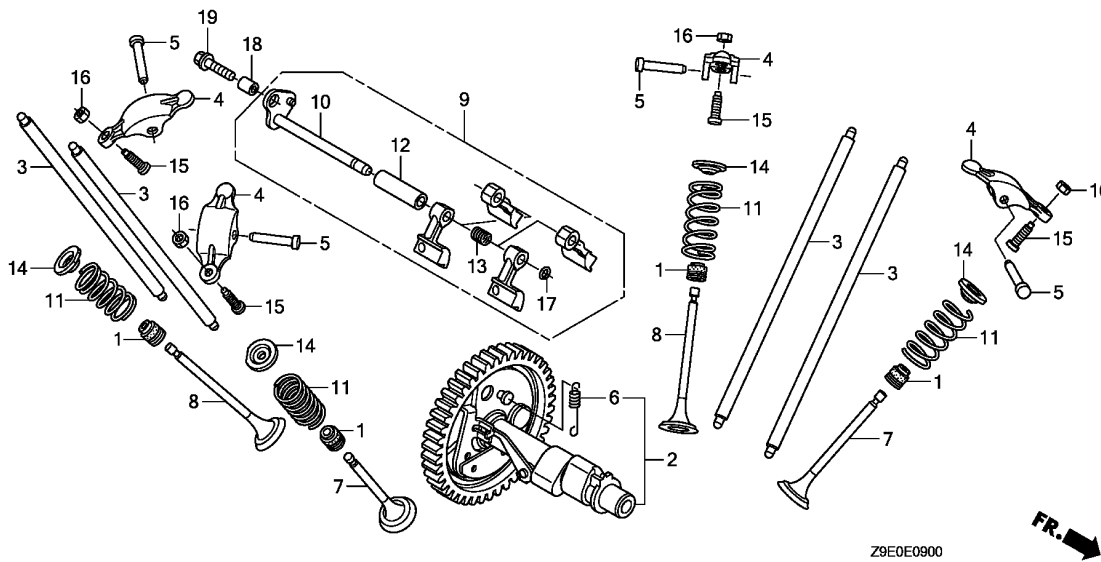
| Ref. No. | Part No.      | Description                          | Reqd. QTY |         |         | Serial No. | Parts catalogue code |
|----------|---------------|--------------------------------------|-----------|---------|---------|------------|----------------------|
|          |               |                                      | GX 630R   | GX 660R | GX 690R |            |                      |
| 1        | 13010-Z6L-003 | RING SET, PISTON (STD.)<br>(TEIKOKU) | 2         | 2       | 2       |            |                      |
| 2        | 13101-Z6L-000 | PISTON .....                         | 2         | 2       | 2       |            |                      |
| 3        | 13111-Z6L-000 | PIN, PISTON .....                    | 2         | 2       | 2       |            |                      |
| 4        | 13210-Z6L-000 | ROD ASSY., CONNECTING .....          | 2         | 2       | 2       |            |                      |
| 5        | 13211-Z6L-003 | BEARING A, CONNECTING ROD ...        | 4         | 4       | 4       |            |                      |
| 6        | 90001-Z6L-000 | BOLT, CONNECTING ROD, 7X38 ..        | 4         | 4       | 4       |            |                      |
| 7        | 90551-ZE1-000 | CLIP, PISTON PIN, 18MM .....         | 4         | 4       | 4       |            |                      |
| 8        | 90705-Z6L-000 | DOWEL PIN, 9X10 .....                | 4         | 4       | 4       |            |                      |





| Ref. No. | L.O.N.  | (Relative ref. Number) Description                  | F.R.T. |
|----------|---------|---|--------|
| 1        | 1111U9  | SEAL, INTAKE VALVE STEM(ONE)<br>:LEFT BANK .....    | 1.5    |
|          |         | .INCLUDES: Valve clearance adjustment               |        |
|          | 1111U9B | .Replace one head(intake and exhaust all) add ..... | 0.1    |
|          | 1111V0  | SEAL, INTAKE VALVE STEM(ONE)<br>:RIGHT BANK .....   | 1.5    |
|          |         | .INCLUDES: Valve clearance adjustment               |        |
|          | 1111V0B | .Replace one head(intake and exhaust all) add ..... | 0.1    |
|          | 1111V1  | SEAL, EXHAUST VALVE STEM(ONE)<br>:LEFT BANK .....   | 1.5    |
|          |         | .INCLUDES: Valve clearance adjustment               |        |
|          | 1111V1B | .Replace one head(intake and exhaust all) add ..... | 0.1    |
|          | 1111V2  | SEAL, EXHAUST VALVE STEM(ONE)<br>:RIGHT BANK .....  | 1.5    |
|          |         | .INCLUDES: Valve clearance adjustment               |        |
|          | 1111V2B | .Replace one head(intake and exhaust all) add ..... | 0.1    |
| + 2      | 1111C2  | CAMSHAFT .....                                      | 1.3    |

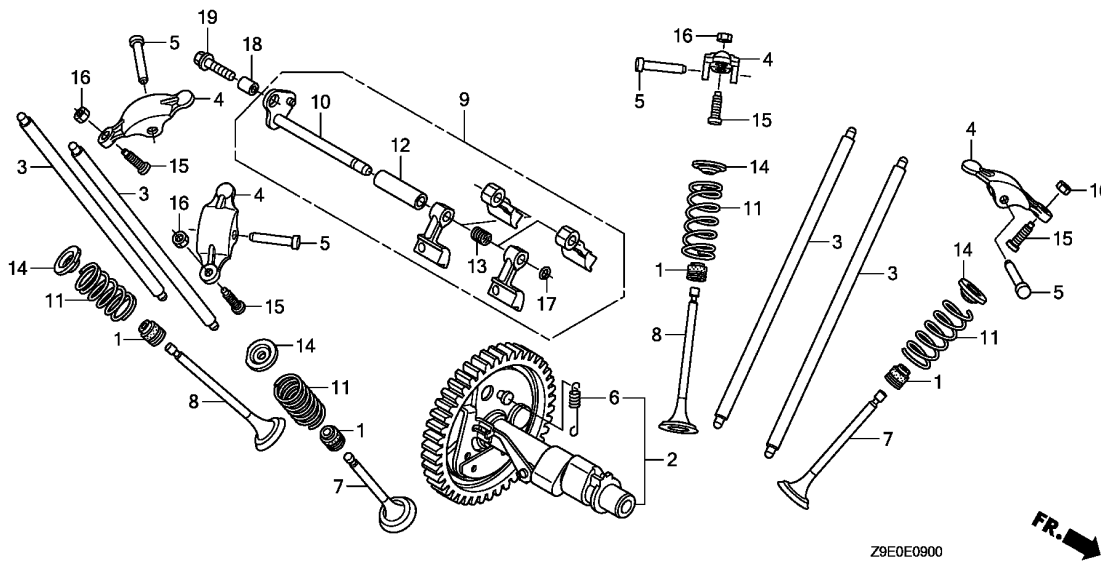
| Ref. No. | Part No.       | Description                   | Reqd. QTY |         |         | Serial No. | Parts catalogue code |
|----------|----------------|-------------------------------|-----------|---------|---------|------------|----------------------|
|          |                |                               | GX 630R   | GX 660R | GX 690R |            |                      |
| 1        | 12208-Z6L-003  | SEAL, VALVE STEM .....        | 4         | 4       | 4       |            |                      |
| 2        | 14100-Z6L-000  | CAMSHAFT ASSY. ....           | 1         | 1       | 1       |            |                      |
| 3        | 14410-Z6L-000  | ROD COMP., PUSH .....         | 4         | 4       | 4       |            |                      |
| 4        | 14431-Z6L-000  | ARM, VALVE ROCKER .....       | 4         | 4       | 4       |            |                      |
| 5        | 14461-Z6L-000  | SHAFT, ROCKER ARM .....       | 4         | 4       | 4       |            |                      |
| 6        | 14568-Z6L-000  | SPRING, WEIGHT RETURN .....   | 1         | 1       | 1       |            |                      |
| 7        | 14711-Z6L-000  | VALVE, IN. ....               | 2         | 2       | 2       |            |                      |
| 8        | 14721-Z6L-000  | VALVE, EX. ....               | 2         | 2       | 2       |            |                      |
| 9        | 14730-Z6L-000  | LIFTER ASSY., VALVE .....     | 1         | 1       | 1       |            |                      |
| 10       | 14735-Z6L-000  | SHAFT COMP., VALVE LIFTER ... | 1         | 1       | 1       |            |                      |
| 11       | 14751-Z6L-000  | SPRING, VALVE .....           | 4         | 4       | 4       |            |                      |
| 12       | 14763-Z6L-000  | COLLAR, VALVE LIFTER .....    | 1         | 1       | 1       |            |                      |
| 13       | 14764-Z6L-000  | SPRING, VALVE LIFTER .....    | 1         | 1       | 1       |            |                      |
| 14       | 14771-ZE1-000  | RETAINER, IN. VALVE SPRING .. |           |         |         |            |                      |
|          |                | (IN./EX.)                     | 4         | 4       | 4       |            |                      |
| 15       | 90012-Z6L-000  | SCREW, TAPPET ADJUSTING ..... | 4         | 4       | 4       |            |                      |
| 16       | 90206-Z6L-000  | NUT, TAPPET ADJUSTING .....   | 4         | 4       | 4       |            |                      |
| 17       | 90602-ZE1-000  | CLIP, GOVERNOR HOLDER .....   | 1         | 1       | 1       |            |                      |
| 18       | 90707-Z6L-000  | DOWEL PIN, 8X10 .....         | 1         | 1       | 1       |            |                      |
| 19       | 95701-06022-00 | BOLT, FLANGE, 6X22 .....      | 1         | 1       | 1       |            |                      |



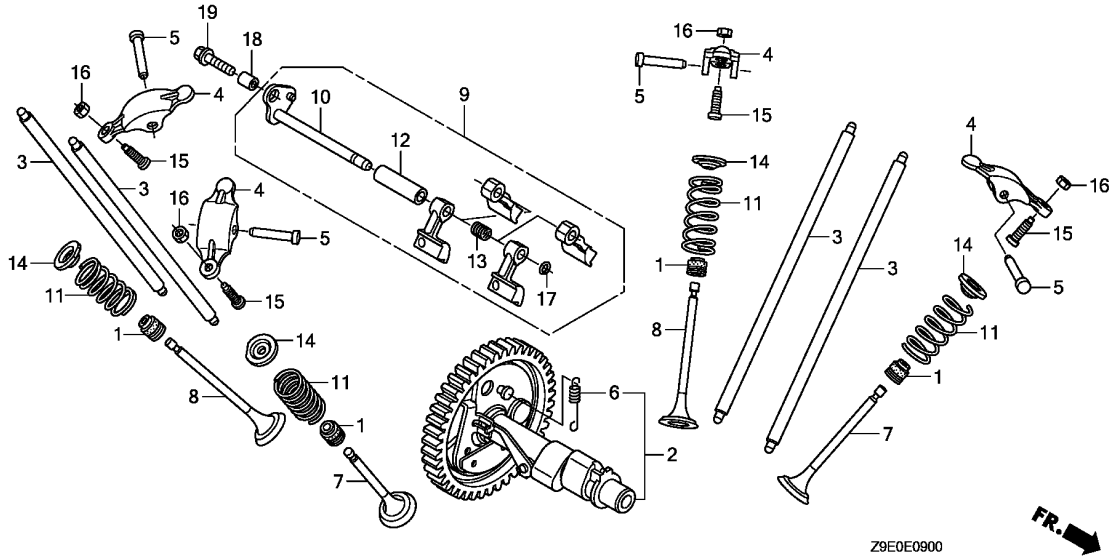
| Ref. No. | L.O.N.  | (Relative ref. Number) Description                  | F.R.T. |
|----------|---------|---|--------|
| + 2      |         | .INCLUDES: Valve clearance adjustment               |        |
| 3        | 1111X5  | ROD, PUSH(ONE)<br>:LEFT BANK INTAKE .....           | 0.3    |
|          |         | .INCLUDES: Valve clearance adjustment               |        |
|          | 1111X5B | .Replace one head(intake and exhaust all) add ..... | 0.1    |
|          | 1111X6  | ROD, PUSH(ONE)<br>:RIGHT BANK INTAKE .....          | 0.3    |
|          |         | .INCLUDES: Valve clearance adjustment               |        |
|          | 1111X6B | .Replace one head(intake and exhaust all) add ..... | 0.1    |
|          | 1111X7  | ROD, PUSH(ONE)<br>:LEFT BANK EXHAUST .....          | 0.3    |
|          |         | .INCLUDES: Valve clearance adjustment               |        |
|          | 1111X7B | .Replace one head(intake and exhaust all) add ..... | 0.1    |
|          | 1111X8  | ROD, PUSH(ONE)<br>:RIGHT BANK EXHAUST .....         | 0.3    |
|          |         | .INCLUDES: Valve clearance adjustment               |        |
| +        |         |   |        |





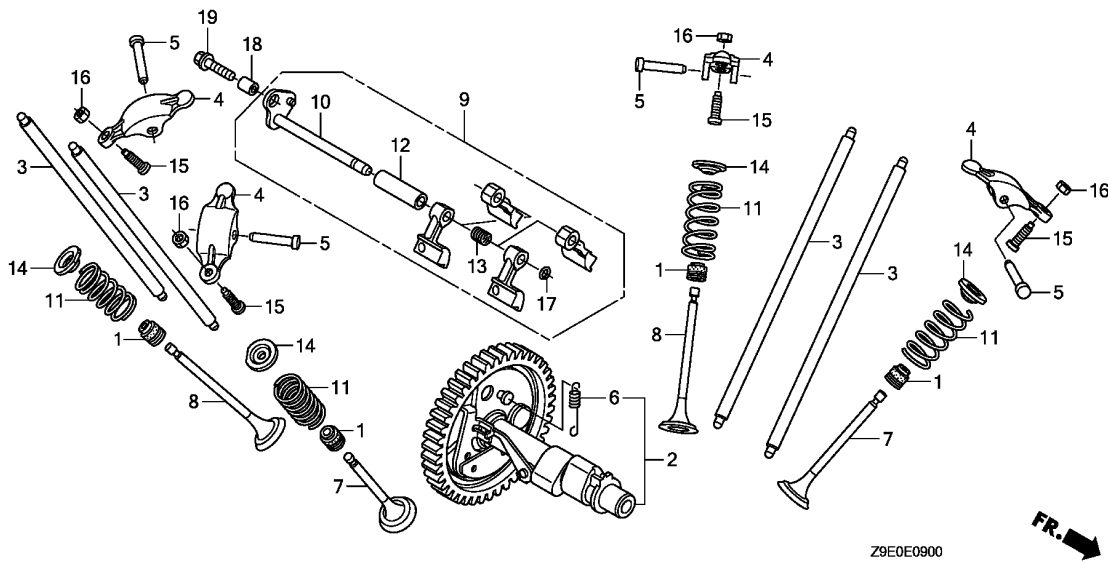


| Ref. No. | L.O.N.  | (Relative ref. Number) Description                                       | F.R.T. |
|----------|---------|--|--------|
| + 3      | 1111X8B | .Replace one head(intake and exhaust all) add .....                      | 0.1    |
| 4        | 1111T1  | ARM, ROCKER :LEFT BANK INTAKE<br>.INCLUDES: Valve clearance adjustment   | 0.3    |
|          | 1111T1C | .Replace one head(intake and exhaust all) add .....                      | 0.1    |
|          | 1111U3  | ARM, ROCKER :LEFT BANK EXHAUST<br>.INCLUDES: Valve clearance adjustment  | 0.3    |
|          | 1111U3C | .Replace one head(intake and exhaust all) add .....                      | 0.1    |
|          | 1111T2  | ARM, ROCKER :RIGHT BANK INTAKE<br>.INCLUDES: Valve clearance adjustment  | 0.3    |
|          | 1111T2C | .Replace one head(intake and exhaust all) add .....                      | 0.1    |
|          | 1111U4  | ARM, ROCKER :RIGHT BANK EXHAUST<br>.INCLUDES: Valve clearance adjustment | 0.3    |
|          | 1111U4C | .Replace one head(intake and exhaust all) add .....                      | 0.1    |
| + 7      | 1111T9  | VALVE, INTAKE(ONE) :LEFT BANK  | 1.6    |



| Ref. No. | L.O.N. | (Relative ref. Number) Description  | F.R.T. |
|----------|--------|---|--------|
| + 7      |        | .INCLUDES: Valve clearance adjustment and reface                                |        |
| 1111T9B  |        | .Replace one head(intake and exhaust all) add .....                             | 0.2    |
| 1111U1   |        | VALVE, INTAKE(ONE) :RIGHT BANK .INCLUDES: Valve clearance adjustment and reface | 1.6    |
| 1111U1B  |        | .Replace one head(intake and exhaust all) add .....                             | 0.2    |
| 8 1111U0 |        | VALVE, EXHAUST(ONE) :LEFT BANK .INCLUDES: Valve clearance adjustment and reface | 1.6    |
| 1111U0B  |        | .Replace one head(intake and exhaust all) add .....                             | 0.2    |
| 1111U2   |        | VALVE, EXHAUST(ONE) :RIGHT BANK .....   | 1.6    |
| 1111U2B  |        | .Replace one head(intake and exhaust all) add .....                             | 0.2    |
| 9 1111F7 |        | LIFTER, VALVE .....   | 1.3    |
|          |        | .INCLUDES: Valve clearance adjustment (12,13,17)                                |        |
| 10       |        |   |        |
| + 1111P2 |        | SHAFT, VALVE LIFTER .....   | 1.4    |





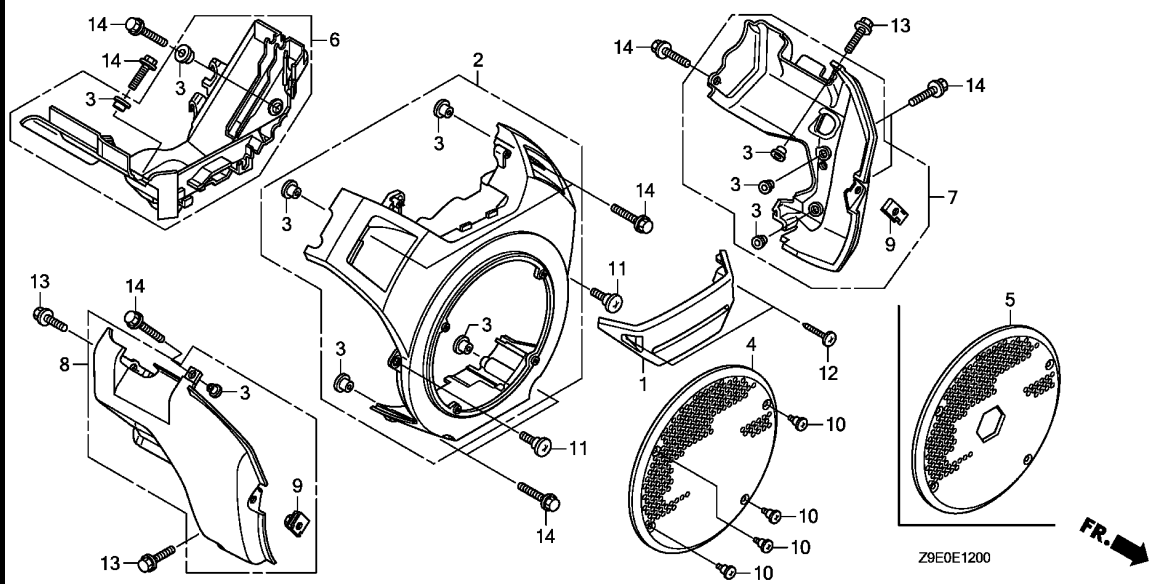
| Ref. No. | L.O.N. | (Relative ref. Number) Description | F.R.T. |
|----------|--------|------------------------------------|--------|
|----------|--------|------------------------------------|--------|

|     |  |                                       |  |
|-----|--|---------------------------------------|--|
| +10 |  | .INCLUDES: Valve clearance adjustment |  |
|-----|--|---------------------------------------|--|

2

Z9E0E0900

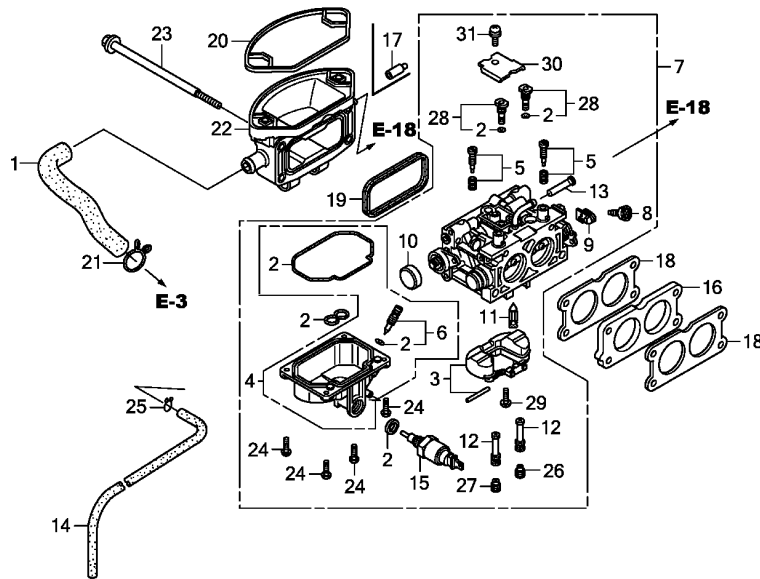
FR. →



| Ref. No. | L.O.N. | (Relative ref. Number) Description | F.R.T. |
|----------|--------|------------------------------------|--------|
| 1        | 3101A4 | COVER, FUEL PUMP .....             | 0.1    |
| 2        | 1141G8 | COVER, ENGINE COOLING FAN .... (5) | 0.2    |
| 4        | 4141C9 | PROTECTOR, FAN COVER .....         | 0.1    |
| 6        | 4141E2 | SHROUD, ENGINE :UPPER .....        | 0.5    |
| 7        | 4141D9 | SHROUD, ENGINE :LEFT .....         | 0.3    |
| 8        | 4141E1 | SHROUD, ENGINE :RIGHT .....        | 0.2    |

| Ref. No. | Part No.        | Description                           | Reqd. QTY |         |         | Serial No. | Parts catalogue code  |
|----------|-----------------|---------------------------------------|-----------|---------|---------|------------|---|
|          |                 |                                       | GX 630R   | GX 660R | GX 690R |            |   |
| 1        | 16715-Z6L-000   | COVER, FUEL PUMP .....                | 1         | 1       | 1       |            |   |
| 2        | 19610-Z6L-000ZA | COVER COMP., FAN *R280*.....POWER RED | 1         | 1       | 1       |            |   |
| 3        | 19619-Z0A-300   | COLLAR, FAN COVER .....               | 10        | 10      | 10      |            |   |
| 4        | 19621-Z6L-000   | PROTECTOR, FAN COVER .....            | 1         | -       | -       | -----      | QAB, QAF1, QDF, QDF2, QDW, QWF2, QXA, QXB1, QXC2, QXF, QXF4, QXF5, QXF6, QYD, QZA, QZA5, QZB, QZB2, QZB3, QZE, QZE3, QZE4, QZF8, VAF6, VDB2, VDC2, VEP4, VXA1, VXD, VXD4, VXD8, VXE1, VXE2, VXE8, VXF, VXF4, VXP2, VZA, VZA2                |
| 5        | 19621-Z6L-800   | PROTECTOR, FAN COVER (P.T.O.)         | -         | 1       | 1       | -----      | QAF, QAF3   |
| 6        | 19631-Z6L-000   | SHROUD, UPPER .....                   | 1         | 1       | 1       |            |   |
| 7        | 19641-Z6L-000   | SHROUD, R. LOWER .....                | 1         | 1       | 1       |            |   |
| 8        | 19642-Z6L-000   | SHROUD, L. LOWER .....                | 1         | -       | -       | -----      | QAB, QAF, QAF1, QAF3, QDF, QDF2, QDW, QWF2, QXA, QXB1, QXC2, QXF, QXF4, QXF5, QXF6, QYD, QYF, QZA, QZA5, QZB2, QZB3, QZE, QZE3, QZE4, QZF8, VAF6, VD, VDB2, VDC2, VEP4, VXA1, VXD, VXD4, VXD8, VXE1, VXE2, VXE8, VXF, VXF4, VXP2, VZA, VZA2 |
|          | 19642-Z6L-800   | .....                                 | -         | 1       | 1       | -----      | QZB   |
| 9        | 84601-HA7-670   | NUT, FENDER SETTING .....             | 2         | 2       | 2       |            |   |
| 10       | 90005-Z6L-000   | SCREW, SPECIAL, 4X10 .....            | 4         | -       | -       | -----      | QAB, QAF, QAF1, QAF3, QDF, QDF2, QDW, QWF2, QXA, QXB1, QXC2, QXF, QXF4, QXF5, QXF6, QYD, QZA, QZA5, QZB, QZB2, QZB3, QZE, QZE3, QZE4, QZF8, VAF6, VDB2, VDC2, VEP4, VXA1, VXD, VXD4, VXD8, VXE1, VXE2, VXE8, VXF, VXF4, VXP2, VZA, VZA2     |
|          |                 |                                       | -         | 4       | 4       |            |   |
| 11       | 90380-GM9-740   | SCREW, SPECIAL, 6X15 .....            | 2         | 2       | 2       |            |   |
| 12       | 93913-25580     | SCREW, TAPPING, 5X20 .....            | 2         | 2       | 2       |            |   |
| 13       | 95701-06016-00  | BOLT, FLANGE, 6X16 .....              | 3         | 3       | 3       |            |   |
| 14       | 95701-06020-00  | BOLT, FLANGE, 6X20 .....              | 10        | 10      | 10      |            |   |

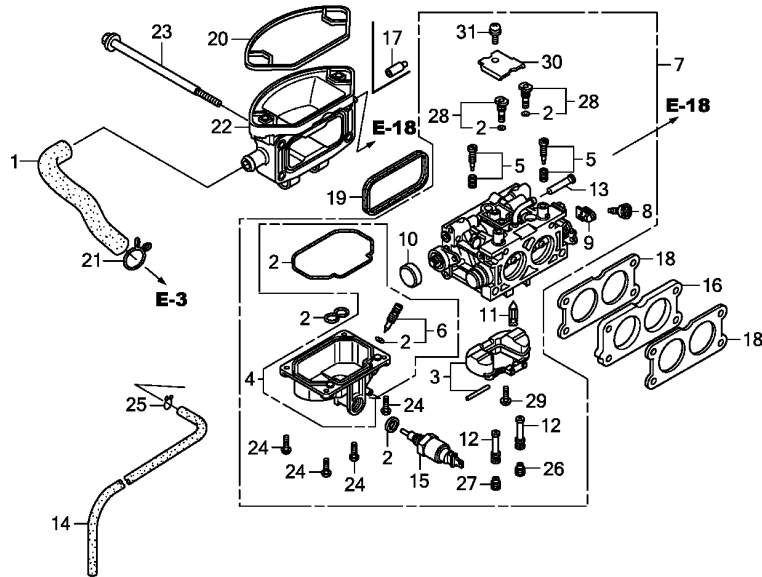




Z9E0E1400

| Ref. No. | L.O.N. | (Relative ref. Number) Description                    | F.R.T. |
|----------|--------|---|--------|
| 1        | 1111K5 | TUBE, BREATHER .....                                  | 0.5    |
| 2        | 3111B1 | GASKET SET, CARBURETOR .....                          | 0.8    |
| 4        | 3111A3 | CHAMBER SET, FLOAT AND/OR GASKET, FLOAT CHAMBER ..... | 0.6    |
| 5        | 3111T7 | SCREW SET, PILOT :LEFT .....                          | 0.3    |
|          | 3111T8 | SCREW SET, PILOT :RIGHT .....                         | 0.3    |
| 7        | 3111F3 | CARBURETOR .....                                      | 0.5    |
| 11       | 3111E1 | VALVE SET, FLOAT AND/OR FLOAT SET .....               | 0.7    |
| 13       | 3111T4 | SCREEN, CARBURETOR FUEL STRAINER .....                | 0.2    |
| 15       | 6211C0 | VALVE, CARBURETOR SOLENOID ...                        | 0.6    |
| 16       | 3111C0 | INSULATOR, CARBURETOR AND/OR PACKING, INSULATOR ..... | 0.4    |
| 18       | 3111C8 | PACKING, CARBURETOR .....                             | 0.5    |
|          |        | .NOTE: Same time for two units                        |        |
| 19       | 3121D9 | PACKING, AIR CLEANER .....                            | 0.5    |
| 20       | 3121E8 | SEAL, AIR CLEANER CASE .....                          | 0.2    |
| 22       | 3121B4 | ELBOW, AIR CLEANER .....                              | 0.5    |
| 26       |        | (12)  |        |
|          | 3111T5 | JET, MAIN :LEFT .....                                 | 0.6    |
| 27       |        | (12)  |        |
|          | 3111T6 | JET, MAIN :RIGHT .....                                | 0.6    |

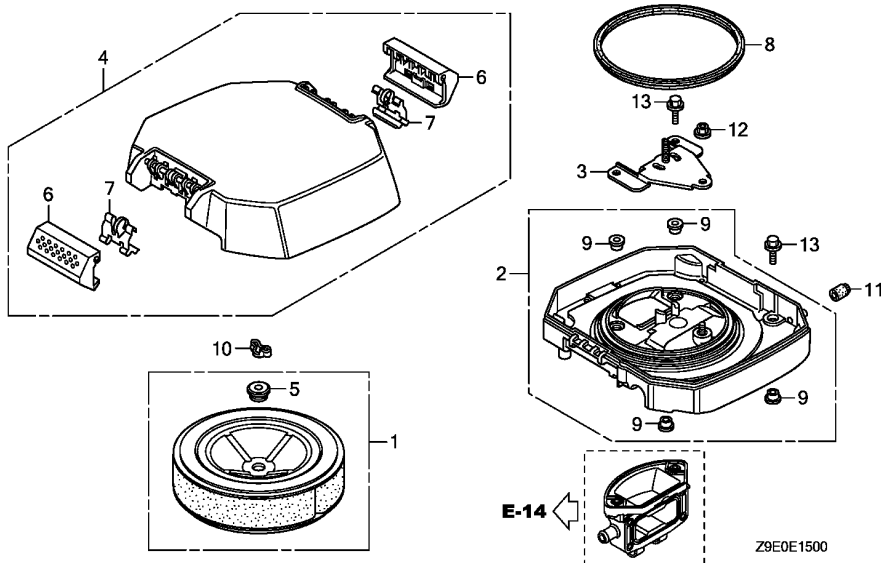
| Ref. No. | Part No.      | Description                   | Reqd. QTY |         |         | Serial No. | Parts catalogue code  |
|----------|---------------|-------------------------------|-----------|---------|---------|------------|---|
|          |               |                               | GX 630R   | GX 660R | GX 690R |            |   |
| 1        | 15721-Z6L-000 | TUBE, BREATHER .....          | 1         | 1       | 1       |            |   |
| 2        | 16010-Z6L-003 | GASKET SET .....              | 1         | 1       | 1       |            |   |
| 3        | 16013-Z6L-003 | FLOAT SET .....               | 1         | 1       | 1       |            |   |
| 4        | 16015-Z6L-003 | CHAMBER SET, FLOAT .....      | 1         | 1       | 1       |            |   |
| 5        | 16016-Z6L-003 | SCREW SET .....               | 2         | 2       | 2       |            |   |
| 6        | 16024-124-760 | SCREW SET, DRAIN .....        | 1         | 1       | 1       |            |   |
| 7        | 16100-Z9E-003 | CARBURETOR ASSY. (BK07A A) .. | 1         | -       | -       | -----      | ----- QAB,QAF,QAF1,QAF3,QDF,QDF2,QDW,QXA,QXB1,QXC2,QXF,QXF4,QXF5,QXF6,QYD,QYF,QZA,QZA5,QZB,QZB2,QZB3,QZE,QZE3,QZE4,QZF8,VAF6,VEP4,VXA1,VXD8,VXE1,VXE8,VXF,VXF4,VXP2,VZA |
|          | 16100-Z9E-851 | CARBURETOR ASSY. (BK07G A) .. | 1         | -       | -       | -----      | ----- QWF2,VXD4   |
|          | 16100-Z9E-861 | CARBURETOR ASSY. (BK07L A) .. | 1         | -       | -       | -----      | ----- VD,VDB2,VDC2,VXD,VXE2,VZA2  |
|          | 16100-Z8N-003 | CARBURETOR ASSY. (BK06A A) .. | -         | 1       | -       | -----      | ----- BAF,BDW,BXF,BXF5,TAF,TDW,TXA2,TFX,TFX4,TFX5,TFX7,TFX9,VXE1  |
|          | 16100-Z8N-851 | CARBURETOR ASSY. (BK06E A) .. | -         | 1       | -       | -----      | ----- VXE2,VXE4   |
|          | 16100-Z6L-003 | CARBURETOR ASSY. (BK05A A) .. | -         | -       | 1       | -----      | ----- BAF,BDW,BXF,BXF5,TAF,TDW,TXA2,TFX,TFX4,TFX5,TFX7,TFX9,VXE1  |
|          | 16100-Z6L-851 | CARBURETOR ASSY. (BK05D A) .. | -         | -       | 1       | -----      | ----- VXE2,VXE4   |
| 8        | 16124-ZE0-005 | SCREW, THROTTLE STOP .....    | 1         | 1       | 1       |            |   |
| 9        | 16126-Z6L-003 | ARM, THROTTLE LINKAGE .....   | 1         | 1       | 1       |            |   |
| 10       | 16148-141-881 | CAP, CHOKE DUST .....         | 1         | 1       | 1       |            |   |
| 11       | 16155-Z6L-003 | VALVE COMP., FLOAT .....      | 1         | 1       | 1       |            |   |
| 12       | 16166-Z8N-003 | NOZZLE, MAIN .....            | 2         | 2       | -       |            |   |
|          | 16166-Z6L-003 | .....                         | -         | -       | 2       |            |   |
| 13       | 16176-Z2G-D51 | SCREEN, FUEL STRAINER .....   | 1         | 1       | 1       |            |   |
| 14       | 16198-Z6L-000 | TUBE, DRAIN .....             | 1         | 1       | 1       |            |   |
| 15       | 16200-Z6L-003 | VALVE ASSY., SOLENOID .....   | 1         | 1       | 1       |            |   |
| 16       | 16211-Z6L-000 | INSULATOR, CARBURETOR .....   | 1         | 1       | 1       |            |   |
| 17       | 16215-MV4-000 | CAP, BOOST .....              | 1         | -       | -       | -----      | ----- QXB1,QYD  |



Z9E0E1400

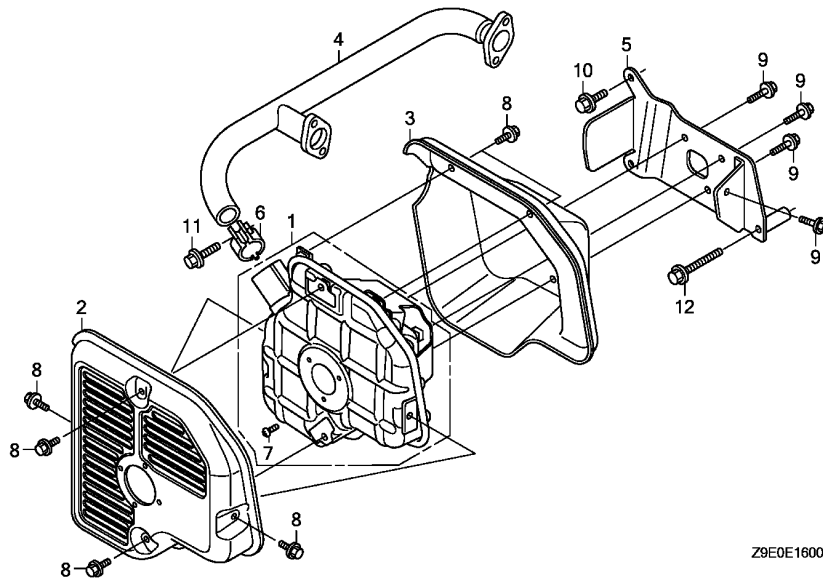
| Ref. No. | Part No.       | Description                    | Reqd. QTY |         |         | Serial No. | Parts catalogue code |
|----------|----------------|--------------------------------|-----------|---------|---------|------------|----------------------|
|          |                |                                | GX 630R   | GX 660R | GX 690R |            |                      |
| 18       | 16221-Z6L-000  | PACKING, CARBURETOR .....      | 2         | 2       | 2       |            |                      |
| 19       | 17228-Z6L-000  | PACKING, AIR CLEANER .....     | 1         | 1       | 1       |            |                      |
| 20       | 17229-Z6L-000  | SEAL, AIR CLEANER CASE .....   | 1         | 1       | 1       |            |                      |
| 21       | 17369-KB4-670  | CLIP, BREATHER TUBE .....      | 1         | 1       | 1       |            |                      |
| 22       | 17410-Z6L-000  | ELBOW COMP., AIR CLEANER ..... | 1         | 1       | 1       |            |                      |
| 23       | 90003-Z6L-000  | BOLT, FLANGE, 6X106 .....      | 4         | 4       | 4       |            |                      |
| 24       | 93500-04012-1H | SCREW, PAN, 4X12 .....         | 4         | 4       | 4       |            |                      |
| 25       | 95002-02080    | CLIP, TUBE (B8) .....          | 1         | 1       | 1       |            |                      |
| 26       | 99101-ZH8-0900 | JET, MAIN, #90 .....           | (1)       | -       | -       |            |                      |
|          | 99101-ZH8-0950 | JET, MAIN, #95 .....           | (1)       | -       | -       |            |                      |
|          | 99101-ZH8-1000 | JET, MAIN, #100 .....          | -         | (1)     | -       |            |                      |
|          | 99101-ZH8-1020 | JET, MAIN, #102 .....          | 1         | -       | -       |            |                      |
|          | 99101-ZH8-1050 | JET, MAIN, #105 .....          | -         | (1)     | (1)     |            |                      |
|          | 99101-ZH8-1100 | JET, MAIN, #110 .....          | -         | -       | (1)     |            |                      |
|          | 99101-ZH8-1120 | JET, MAIN, #112 .....          | -         | 1       | -       |            |                      |
|          | 99101-ZH8-1180 | JET, MAIN, #118 .....          | -         | -       | 1       |            |                      |
| 27       | 99101-ZH8-0920 | JET, MAIN, #92 .....           | (1)       | -       | -       |            |                      |
|          | 99101-ZH8-0980 | JET, MAIN, #98 .....           | (1)       | -       | -       |            |                      |
|          | 99101-ZH8-1000 | JET, MAIN, #100 .....          | -         | (1)     | -       |            |                      |
|          | 99101-ZH8-1050 | JET, MAIN, #105 .....          | 1         | (1)     | (1)     |            |                      |
|          | 99101-ZH8-1100 | JET, MAIN, #110 .....          | -         | -       | (1)     |            |                      |
|          | 99101-ZH8-1120 | JET, MAIN, #112 .....          | -         | 1       | -       |            |                      |
|          | 99101-ZH8-1180 | JET, MAIN, #118 .....          | -         | -       | 1       |            |                      |
| 28       | 99204-ZE2-0400 | JET SET, PILOT, #40 .....      | 2         | 2       | -       |            |                      |
|          | 99204-ZE2-0450 | JET SET, PILOT, #45 .....      | -         | -       | 2       |            |                      |
| 29       | 16081-Z6L-003  | SCREW, FLOAT .....             | 1         | 1       | 1       |            |                      |
| 30       | 16113-Z6L-003  | PLATE .....                    | 1         | 1       | 1       |            |                      |
| 31       | 93892-05010-18 | SCREW-WASHER, 5X10 .....       | 1         | 1       | 1       |            |                      |





| Ref. No. | L.O.N. | (Relative ref. Number) Description  | F.R.T. |
|----------|--------|---|--------|
| 1        | 3121B8 | ELEMENT, AIR CLEANER .....<br>.INCLUDES: Air cleaner element<br>-inspection | 0.1    |
| 2        | 3121A5 | CASE, AIR CLEANER .....   | 0.2    |
| 4        | 3121B1 | COVER, AIR CLEANER .....  | 0.1    |
| 8        | 3121R3 | PACKING, AIR CLEANER CASE ....  | 0.1    |

| Ref. No. | Part No.       | Description                        | Reqd. QTY |         |         | Serial No. | Parts catalogue code |
|----------|----------------|------------------------------------|-----------|---------|---------|------------|----------------------|
|          |                |                                    | GX 630R   | GX 660R | GX 690R |            |                      |
| 1        | 17210-Z6L-000  | ELEMENT COMP., AIR CLEANER ..      | 1         | 1       | 1       |            |                      |
| 2        | 17220-Z6L-000  | CASE COMP., AIR CLEANER .....      | 1         | 1       | 1       |            |                      |
| 3        | 17223-Z6L-000  | STAY COMP., AIR CLEANER<br>ELEMENT | 1         | 1       | 1       |            |                      |
| 4        | 17230-Z6L-000  | COVER COMP., AIR CLEANER .....     | 1         | 1       | 1       |            |                      |
| 5        | 17232-Z2E-000  | GROMMET, AIR CLEANER .....         | 1         | 1       | 1       |            |                      |
| 6        | 17235-Z6L-300  | KNOB, AIR CLEANER COVER .....      | 2         | 2       | 2       |            |                      |
| 7        | 17236-Z6L-300  | SPRING, AIR CLEANER CASE COVER     | 2         | 2       | 2       |            |                      |
| 8        | 17417-Z6L-000  | PACKING, AIR CLEANER CASE ...      | 1         | 1       | 1       |            |                      |
| 9        | 19619-Z0A-300  | COLLAR, FAN COVER .....            | 4         | 4       | 4       |            |                      |
| 10       | 90325-044-000  | NUT, TOOL BOX SETTING .....        | 1         | 1       | 1       |            |                      |
| 11       | 90802-Z6L-000  | CAP, SEALING .....                 | 1         | 1       | 1       |            |                      |
| 12       | 94050-06000    | NUT, FLANGE, 6MM .....             | 1         | 1       | 1       |            |                      |
| 13       | 95701-06018-00 | BOLT, FLANGE, 6X18 .....           | 4         | 4       | 4       |            |                      |



| Ref. No. | L.O.N. | (Relative ref. Number) Description | F.R.T. |
|----------|--------|------------------------------------|--------|
| 1        | 3131F7 | MUFFLER, EXHAUST(A) .....          | 0.3    |
| 3        | 3131D6 | PROTECTOR, EXHAUST MUFFLER ...     | 0.3    |
| 4        | 3131C9 | PIPE, EXHAUST .....                | 0.2    |

| Ref. No. | Part No.       | Description                        | Reqd. QTY |         |         | Serial No. | Parts catalogue code |
|----------|----------------|------------------------------------|-----------|---------|---------|------------|----------------------|
|          |                |                                    | GX 630R   | GX 660R | GX 690R |            |                      |
| 1        | 18310-Z6L-810  | MUFFLER COMP. ....                 | 1         | -       | -       | -----      | QZB                  |
| 2        | 18321-Z6L-801  | PROTECTOR, MUFFLER (OUTSIDE) ..... | 1         | -       | -       | -----      | QZB                  |
| 3        | 18325-Z6L-800  | PROTECTOR, MUFFLER (INSIDE) .....  | 1         | -       | -       | -----      | QZB                  |
| 4        | 18330-Z6L-800  | PIPE COMP., EX. ....               | 1         | -       | -       | -----      | QZB                  |
| 5        | 18338-Z6L-800  | STAY, MUFFLER .....                | 1         | -       | -       | -----      | QZB                  |
| 6        | 18371-Z6L-000  | BAND, MUFFLER .....                | 1         | -       | -       | -----      | QZB                  |
| 7        | 93500-04008-4J | SCREW, PAN, 4X8 .....              | 3         | -       | -       | -----      | QZB                  |
| 8        | 95701-06008-00 | BOLT, FLANGE, 6X8 .....            | 6         | -       | -       | -----      | QZB                  |
| 9        | 95701-06012-00 | BOLT, FLANGE, 6X12 .....           | 4         | -       | -       | -----      | QZB                  |
| 10       | 95701-08020-00 | BOLT, FLANGE, 8X20 .....           | 2         | -       | -       | -----      | QZB                  |
| 11       | 95701-08030-00 | BOLT, FLANGE, 8X30 .....           | 1         | -       | -       | -----      | QZB                  |
| 12       | 95701-08060-00 | BOLT, FLANGE, 8X60 .....           | 1         | -       | -       | -----      | QZB                  |

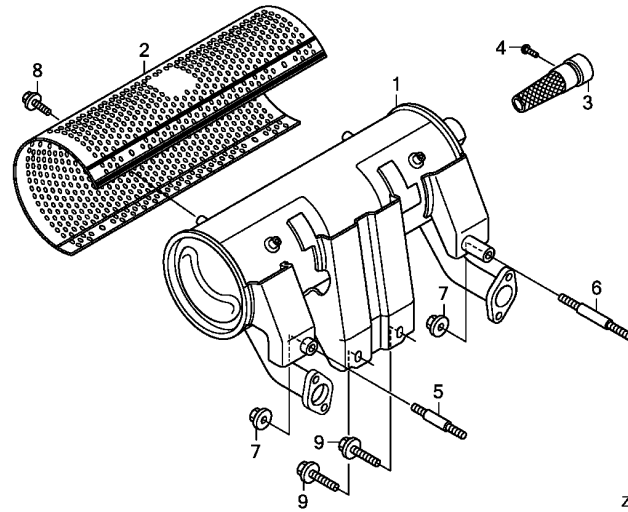




E-16-1

MUFFLER(HIGH-L)

E 3



| Ref. No.                        | L.O.N. | (Relative ref. Number) Description | F.R.T. |
|---------------------------------|--------|------------------------------------|--------|
| 1                               | 3131C5 | MUFFLER, EXHAUST .....             | 0.2    |
| 3                               | 3131A1 | ARRESTER, SPARK .....              | 0.1    |
| .INCLUDES: Spark arrester check |        |                                    |        |

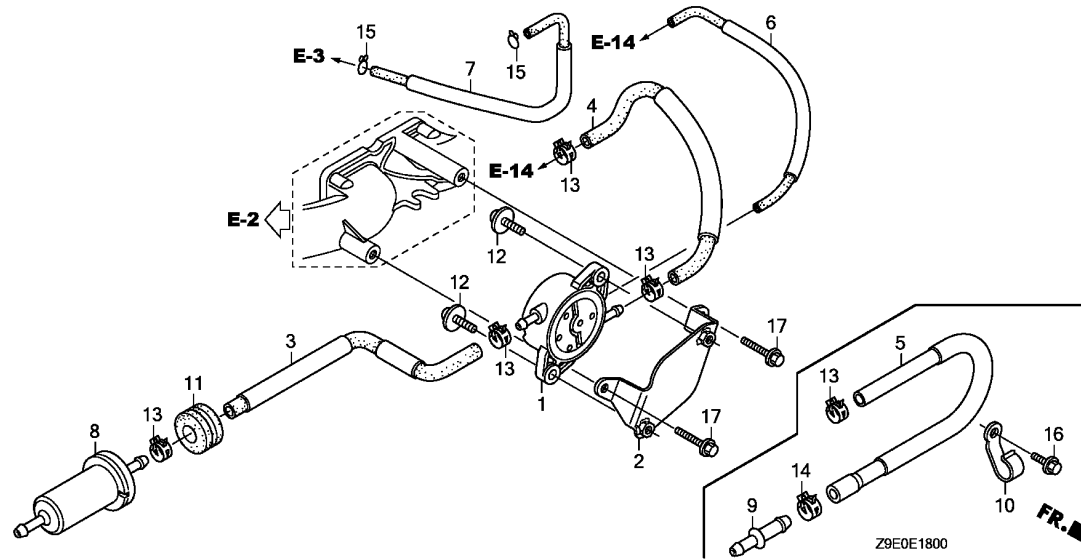
| Ref. No. | Part No.       | Description                        | Reqd. QTY |         |         | Serial No. | Parts catalogue code |
|----------|----------------|------------------------------------|-----------|---------|---------|------------|----------------------|
|          |                |                                    | GX 630R   | GX 660R | GX 690R |            |                      |
| 1        | 18310-Z6L-801  | MUFFLER COMP. (HIGH-L) .....       | 1         | -       | -       | -----      | VD,VXD               |
| 2        | 18321-ZJ1-010  | PROTECTOR, MUFFLER (HIGH) (FUTABA) | 1         | -       | -       | -----      | VD,VXD               |
| 3        | 18355-ZJ1-000  | ARRESTER, SPARK .....              | 1         | -       | -       | -----      | VD,VXD               |
| 4        | 93901-250J0    | SCREW, TAPPING, 5X8 .....          | 1         | -       | -       | -----      | VD,VXD               |
| 5        | 92900-08045-0B | BOLT, STUD, 8X45 .....             | 1         | -       | -       | -----      | VD,VXD               |
| 6        | 92900-08060-0B | BOLT, STUD, 8X60 .....             | 1         | -       | -       | -----      | VD,VXD               |
| 7        | 94050-08000    | NUT, FLANGE, 8MM .....             | 2         | -       | -       | -----      | VD,VXD               |
| 8        | 95701-06008-00 | BOLT, FLANGE, 6X8 .....            | 6         | -       | -       | -----      | VD,VXD               |
| 9        | 95701-08020-00 | BOLT, FLANGE, 8X20 .....           | 2         | -       | -       | -----      | VD,VXD               |

2

# E-18

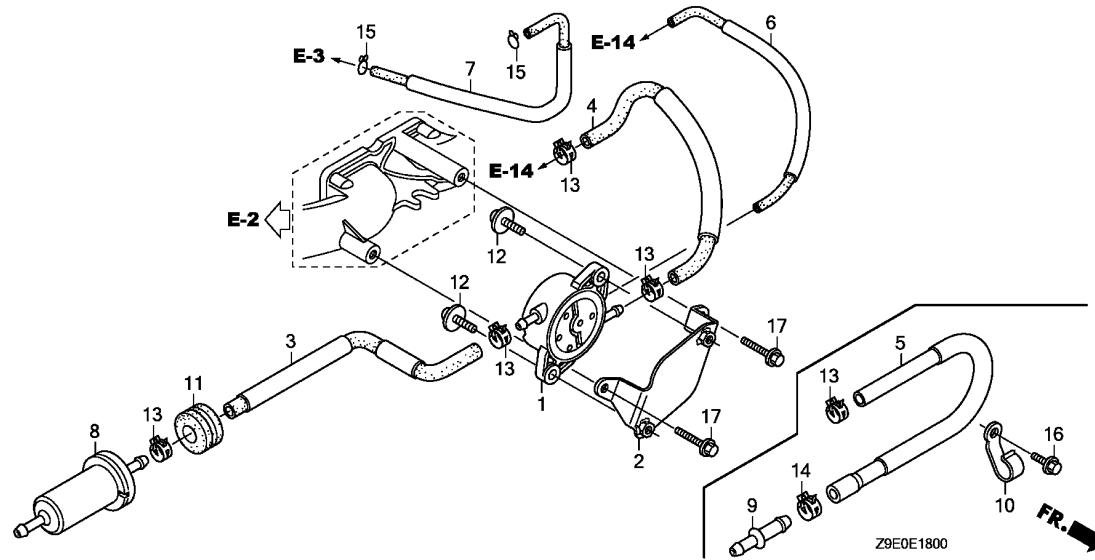
# FUEL PUMP

# E 4

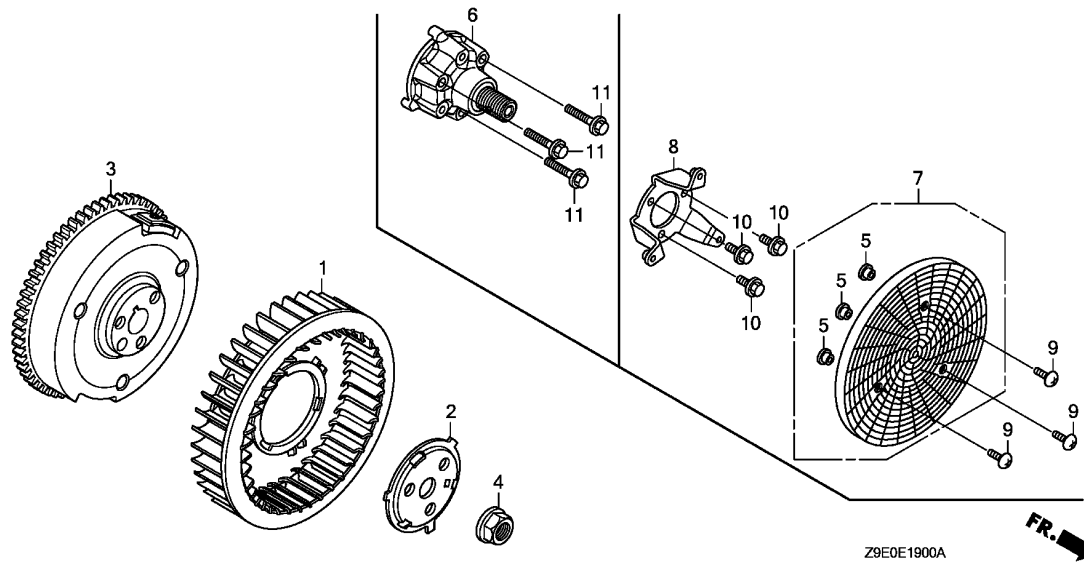


| Ref. No. | L.O.N. | (Relative ref. Number) Description | F.R.T. |
|----------|--------|------------------------------------|--------|
| 1        | 3101H9 | PUMP, FUEL                         | 0.3    |
| 3        | 3101L0 | TUBE A, FUEL                       | 0.2    |
| 4        | 3101F7 | TUBE B, FUEL                       | 0.2    |
| 6        | 3111Q5 | TUBE, PURGE                        | 0.2    |
| 7        | 3101E5 | TUBE, DIAPHRAGM                    | 0.2    |
| 8        | 3101H8 | STRAINER, FUEL                     | 0.1    |

| Ref. No. | Part No.      | Description              | Reqd. QTY |         |         | Serial No. | Parts catalogue code  |
|----------|---------------|--------------------------|-----------|---------|---------|------------|---|
|          |               |                          | GX 630R   | GX 660R | GX 690R |            |   |
| 1        | 16700-Z6L-003 | PUMP ASSY., FUEL         | 1         | -       | -       | -----      | QAB,QAF,QAF1,QAF3,QDF,QDF2,QDW,QWF2,QXA,QXC2,QXF,QXF4,QXF5,QXF6<br>QYF,QZA,QZA5,QZB,QZB2,QZB3,QZE,QZE3,QZE4,QZF8,VAF6,VD,VDB2,VDC2<br>VEP4,VXA1,VXD,VXD4,VXD8,VXE1,VXE2,VXE8,VXF,VXF4,VXP2,VZA,VZA2 |
| 2        | 16711-Z6L-000 | STAY, FUEL PUMP          | 1         | 1       | 1       | -----      | QAB,QAF,QAF1,QAF3,QDF,QDF2,QDW,QWF2,QXA,QXC2,QXF,QXF4,QXF5,QXF6<br>QYF,QZA,QZA5,QZB,QZB2,QZB3,QZE,QZE3,QZE4,QZF8,VAF6,VD,VDB2,VDC2<br>VEP4,VXA1,VXD,VXD4,VXD8,VXE1,VXE2,VXE8,VXF,VXF4,VXP2,VZA,VZA2 |
| 3        | 16850-Z6L-000 | TUBE COMP. A, FUEL (FKM) | 1         | 1       | 1       | -----      | QAB,QAF,QAF1,QAF3,QDF,QDF2,QDW,QWF2,QXA,QXC2,QXF,QXF4,QXF5,QXF6<br>QYF,QZA,QZA5,QZB,QZB2,QZB3,QZE,QZE3,QZE4,QZF8,VAF6,VD,VDB2,VDC2<br>VEP4,VXA1,VXD,VXD4,VXD8,VXE1,VXE2,VXE8,VXF,VXF4,VXP2,VZA,VZA2 |
| 4        | 16860-Z6L-000 | TUBE COMP. B, FUEL (FKM) | 1         | -       | -       | -----      | QAB,QAF,QAF1,QAF3,QDF,QDF2,QDW,QWF2,QXA,QXC2,QXF,QXF4,QXF5,QXF6<br>QYF,QZA,QZA5,QZB,QZB2,QZB3,QZE,QZE3,QZE4,QZF8,VAF6,VD,VDB2,VDC2<br>VEP4,VXA1,VXD,VXD4,VXD8,VXE1,VXE2,VXE8,VXF,VXF4,VXP2,VZA,VZA2 |
| 5        | 16860-Z6L-800 | TUBE COMP. B, FUEL (FKM) | 1         | -       | -       | -----      | QXB1,QYD  |
| 6        | 16870-Z6L-000 | TUBE, PURGE              | 1         | -       | -       | -----      | QAB,QAF,QAF1,QAF3,QDF,QDF2,QDW,QWF2,QXA,QXC2,QXF,QXF4,QXF5,QXF6<br>QYF,QZA,QZA5,QZB,QZB2,QZB3,QZE,QZE3,QZE4,QZF8,VAF6,VD,VDB2,VDC2<br>VEP4,VXA1,VXD,VXD4,VXD8,VXE1,VXE2,VXE8,VXF,VXF4,VXP2,VZA,VZA2 |
| 7        | 16882-Z6L-000 | TUBE, DIAPHRAGM          | 1         | -       | -       | -----      | QAB,QAF,QAF1,QAF3,QDF,QDF2,QDW,QWF2,QXA,QXC2,QXF,QXF4,QXF5,QXF6<br>QYF,QZA,QZA5,QZB,QZB2,QZB3,QZE,QZE3,QZE4,QZF8,VAF6,VD,VDB2,VDC2<br>VEP4,VXA1,VXD,VXD4,VXD8,VXE1,VXE2,VXE8,VXF,VXF4,VXP2,VZA,VZA2 |
| 8        | 16910-Z6L-003 | STRAINER COMP., FUEL     | 1         | 1       | 1       | -----      | QXB1,QYD  |
| 9        | 17526-MCA-000 | JOINT, FUEL RETURN       | 1         | -       | -       | -----      | QXB1,QYD  |
| 10       | 55109-GAA-000 | CLAMP, OIL HOSE          | 1         | -       | -       | -----      | QXB1,QYD  |
| 11       | 80152-958-680 | RUBBER, RR. FENDER       | 1         | 1       | 1       | -----      |   |



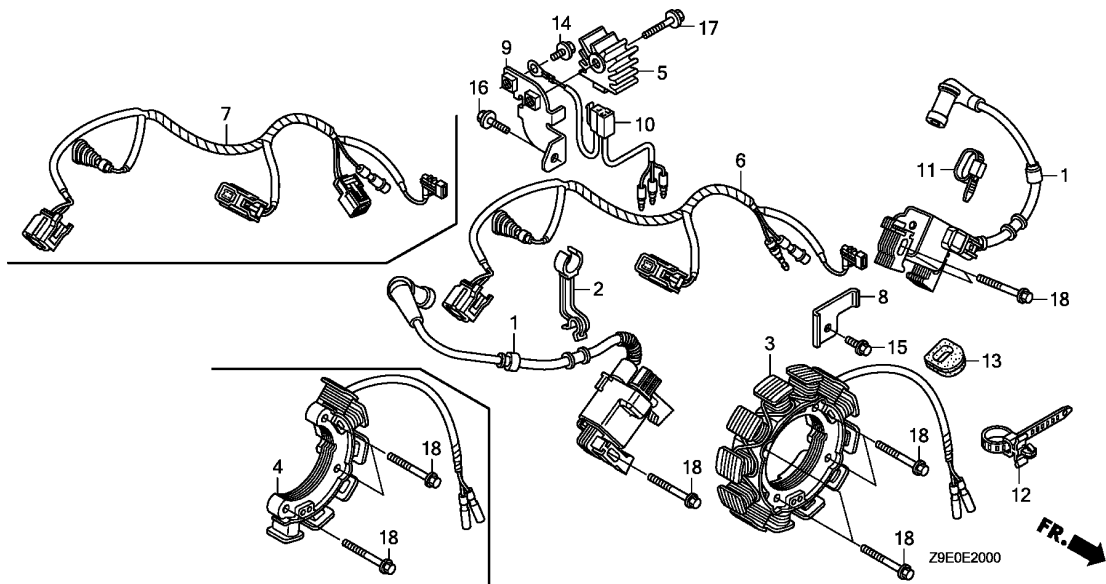
| Ref. No. | Part No.       | Description        | Reqd. QTY |         |         | Serial No. | Parts catalogue code  |
|----------|----------------|--------------------|-----------|---------|---------|------------|---|
|          |                |                    | GX 630R   | GX 660R | GX 690R |            |   |
| 12       | 93894-06016-00 | SCREW-WASHER, 6X16 | 2         | -       | -       | -----      | QAB,QAF,QAF1,QAF3,QDF,QDF2,QDW,QWF2,QXA,QXC2,QXF,QXF4,QXF5,QXF6<br>QYF,QZA,QZA5,QZB,QZB2,QZB3,QZE,QZE3,QZE4,QZF8,VAF6,VD,VDB2,VDC2<br>VEP4,VXA1,VXD,VXD4,VXD8,VXE1,VXE2,VXE8,VXF,VXF4,VXP2,VZA,VZA2 |
| 13       | 95002-41000-08 | CLAMP, TUBE (D10)  | -         | 2       | 2       | -----      | QXB1,QYD  |
|          |                |                    | 3         | -       | -       | -----      | QAB,QAF,QAF1,QAF3,QDF,QDF2,QDW,QWF2,QXA,QXC2,QXF,QXF4,QXF5,QXF6<br>QYF,QZA,QZA5,QZB,QZB2,QZB3,QZE,QZE3,QZE4,QZF8,VAF6,VD,VDB2,VDC2<br>VEP4,VXA1,VXD,VXD4,VXD8,VXE1,VXE2,VXE8,VXF,VXF4,VXP2,VZA,VZA2 |
| 14       | 95002-41200-08 | CLAMP, TUBE (D12)  | -         | 4       | 4       | -----      | QXB1,QYD  |
|          |                |                    | 1         | -       | -       | -----      | QAB,QAF,QAF1,QAF3,QDF,QDF2,QDW,QWF2,QXA,QXC2,QXF,QXF4,QXF5,QXF6<br>QYF,QZA,QZA5,QZB,QZB2,QZB3,QZE,QZE3,QZE4,QZF8,VAF6,VD,VDB2,VDC2<br>VEP4,VXA1,VXD,VXD4,VXD8,VXE1,VXE2,VXE8,VXF,VXF4,VXP2,VZA,VZA2 |
| 15       | 95002-70000    | CLIP, TUBE (C11)   | 2         | -       | -       | -----      | QAB,QAF,QAF1,QAF3,QDF,QDF2,QDW,QWF2,QXA,QXC2,QXF,QXF4,QXF5,QXF6<br>QYF,QZA,QZA5,QZB,QZB2,QZB3,QZE,QZE3,QZE4,QZF8,VAF6,VD,VDB2,VDC2<br>VEP4,VXA1,VXD,VXD4,VXD8,VXE1,VXE2,VXE8,VXF,VXF4,VXP2,VZA,VZA2 |
|          |                |                    | -         | 2       | 2       | -----      |   |
| 16       | 95701-06012-00 | BOLT, FLANGE, 6X12 | 1         | -       | -       | -----      | QXB1,QYD  |
| 17       | 95701-06014-00 | BOLT, FLANGE, 6X14 | 2         | -       | -       | -----      | QAB,QAF,QAF1,QAF3,QDF,QDF2,QDW,QWF2,QXA,QXC2,QXF,QXF4,QXF5,QXF6<br>QYF,QZA,QZA5,QZB,QZB2,QZB3,QZE,QZE3,QZE4,QZF8,VAF6,VD,VDB2,VDC2<br>VEP4,VXA1,VXD,VXD4,VXD8,VXE1,VXE2,VXE8,VXF,VXF4,VXP2,VZA,VZA2 |
|          |                |                    | -         | 2       | 2       | -----      |   |



| Ref. No. | L.O.N. | (Relative ref. Number) Description | F.R.T. |
|----------|--------|------------------------------------|--------|
| 1        | 1141G7 | FAN, ENGINE COOLING .....          | 0.7    |
| 3        | 2161B5 | FLYWHEEL .....                     | 0.8    |
| 6        | 2141H3 | SHAFT, POWER TAKE OFF :FRONT ..    | 0.3    |
| 7        | 6201A5 | GRID, SCREEN .....                 | 0.1    |

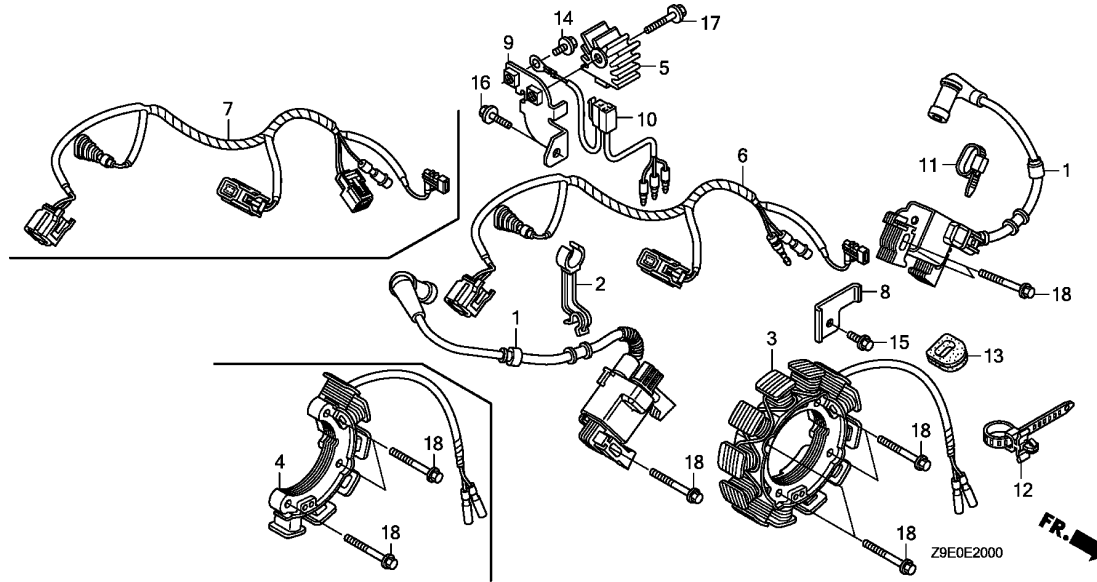
| Ref. No. | Part No.       | Description                   | Reqd. QTY |         |         | Serial No. | Parts catalogue code |
|----------|----------------|-------------------------------|-----------|---------|---------|------------|----------------------|
|          |                |                               | GX 630R   | GX 660R | GX 690R |            |                      |
| 1        | 19511-Z6L-000  | FAN, COOLING .....            | 1         | 1       | 1       |            |                      |
| 2        | 19513-Z6L-000  | PLATE, COOLING FAN SETTING .. | 1         | 1       | 1       |            |                      |
| 3        | 31110-Z6L-003  | FLYWHEEL COMP. ....           | 1         | 1       | 1       |            |                      |
| 4        | 90201-Z6L-000  | NUT, SPECIAL (20MM) .....     | 1         | 1       | 1       |            |                      |
| 5        | 19619-Z0A-300  | COLLAR, FAN COVER .....       | 3         | -       | -       | -----      | QYF                  |
| 6        | 23311-Z6L-820  | SHAFT, FR. P.T.O. ....        | 1         | -       | -       | -----      | QAF3                 |
| 7        | 28452-Z6L-800  | GRID, SCREEN .....            | 1         | -       | -       | -----      | QYF                  |
| 8        | 28454-Z6L-800  | HOLDER, SCREEN GRID .....     | 1         | -       | -       | -----      | QYF                  |
| 9        | 90131-S0X-A00  | SCREW, TRUSS, 6X16 .....      | 3         | -       | -       | -----      | QYF                  |
| 10       | 95701-08018-00 | BOLT, FLANGE, 8X18 .....      | 3         | -       | -       | -----      | QYF                  |
| 11       | 95701-08050-00 | BOLT, FLANGE, 8X50 .....      | 3         | -       | -       | -----      | QAF3                 |





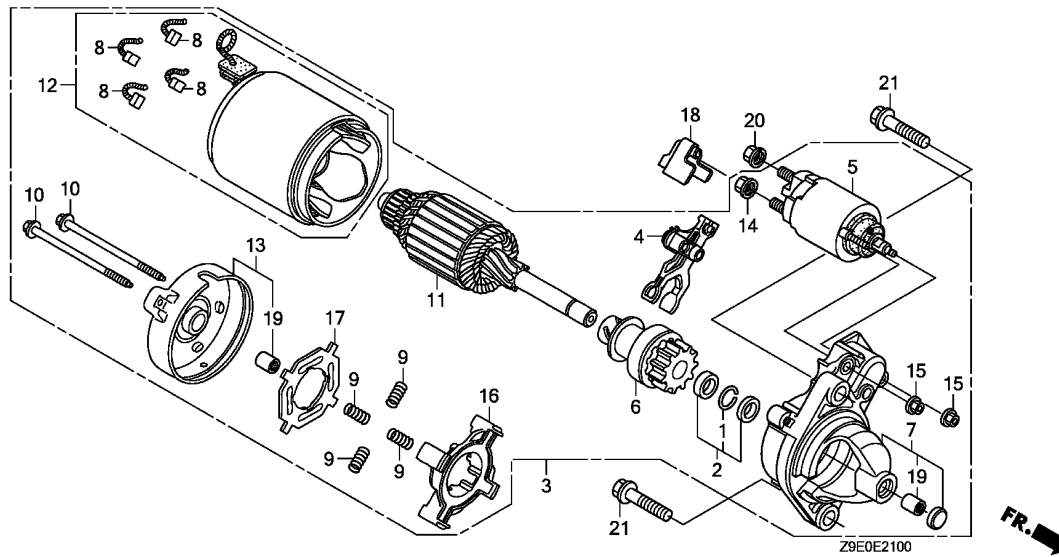
| Ref. No. | L.O.N. | (Relative ref. Number) Description | F.R.T. |
|----------|--------|------------------------------------|--------|
| 1        | 6141A3 | COIL, IGNITION :LEFT               | 0.5    |
|          | 6141A4 | COIL, IGNITION :RIGHT              | 0.4    |
| 3        |        | (4)                                |        |
|          | 6131C3 | COIL, CHARGE                       | 0.9    |
| 5        | 6131B7 | RECTIFIER, REGULATOR               | 0.2    |
| 6        |        | (7)                                |        |
|          | 6111C0 | HARNESS, ENGINE WIRE               | 0.3    |

| Ref. No. | Part No.      | Description                        | Reqd. QTY |         |         | Serial No. | Parts catalogue code   |
|----------|---------------|------------------------------------|-----------|---------|---------|------------|--|
|          |               |                                    | GX 630R   | GX 660R | GX 690R |            |  |
| 1        | 30500-Z6L-003 | COIL ASSY., IGNITION               | 2         | 2       | 2       |            |  |
| 2        | 30551-Z6L-000 | CLAMP, HIGH TENSION CORD           | 1         | 1       | 1       |            |  |
| 3        | 31630-Z6L-003 | COIL ASSY., CHARGE (17A)           | 1         | 1       | 1       | -----      | BAF,BDW,BXF,BXF5,QAB,QAF,QAF1,QAF3,QDF,QDF2,QDW,QWF2,QXB1,QXF,QXF4,QXF5,QXF6,QYD,QYF,QZA5,QZB,QZB2,QZB3,QZF8,TAF,TDW,TXA2,TXF,TFX4,TFX5,TFX7,TFX9,VAF6,VDC2,VXF,VXF4 |
| 4        | 31630-Z6L-801 | COIL ASSY., CHARGE (2.7A)          | 1         | 1       | 1       | -----      | QXA,QXC2,QZA,QZE,QZE3,QZE4,VD,VDB2,VEP4,VXA1,VXD,VXD4,VXD8,VXE1,VXE2,VXE4,VXE8,VXP2,VZA,VZA2   |
| 5        | 31750-735-013 | RECTIFIER COMP., REGULATOR (5A)    | 1         | 1       | 1       | -----      | QXA,QXC2,QZA,QZE,QZE3,QZE4,VD,VDB2,VEP4,VXA1,VXD,VXD4,VXD8,VXE1,VXE2,VXE4,VXE8,VXP2,VZA,VZA2   |
| 6        | 32110-Z6L-000 | HARNESS ASSY., ENGINE WIRE         | 1         | 1       | 1       | -----      | BDW,QAB,QAF,QAF3,QDF2,QDW,QWF2,QYD,QYF,TDW,VAF6,VDC2   |
|          | 32110-Z6L-800 | .....                              | 1         | 1       | 1       | -----      | QXB1,TFX9,VD,VDB2,VXD,VXE8,VXF4,VXP2   |
| 7        | 32110-Z6L-810 | HARNESS ASSY., ENGINE WIRE         | 1         | 1       | 1       | -----      | QXA,QXC2,QZA,QZE,QZE3,QZE4,VEP4,VXA1,VXD4,VXD8,VXE1,VXE2,VXE4,VZA,VZA2   |
|          | 32110-Z6L-830 | .....                              | 1         | 1       | 1       | -----      | BXF,BXF5,QXF,QXF4,QXF5,QXF6,QZA5,QZB,QZB2,QZB3,QZF8,TXA2,TFX,TFX4,TFX5,TFX7,VXF  |
|          | 32110-Z6L-840 | .....                              | 1         | 1       | 1       | -----      | BAF,QAF1,QDF,TAF   |
| 8        | 32114-Z6L-000 | BRACKET, HARNESS                   | 1         | 1       | 1       | -----      |  |
| 9        | 32115-Z6L-000 | BRACKET, REGULATOR RECTIFIER       | 1         | 1       | 1       | -----      | QXA,QXC2,QZA,QZE,QZE3,QZE4,VD,VDB2,VEP4,VXA1,VXD,VXD4,VXD8,VXE1,VXE2,VXE4,VXE8,VXP2,VZA,VZA2   |
| 10       | 32183-Z6L-000 | HARNESS ASSY., REGULATOR RECTIFIER | 1         | 1       | 1       | -----      | QXA,QXC2,QZA,QZE,QZE3,QZE4,VD,VDB2,VEP4,VXA1,VXD,VXD4,VXD8,VXE1,VXE2,VXE4,VXE8,VXP2,VZA,VZA2   |
| 11       | 90650-KV6-003 | BAND, WIRE, 95MM                   | 1         | 1       | 1       |            |  |
| 12       | 90672-SB2-003 | STRAP, CABLE, 105MM(BLACK)         | 1         | 1       | 1       | -----      | BDW,QAB,QAF,QAF3,QDF2,QDW,QWF2,QXB1,QYD,QYF,TDW,TFX9,VAF6,VD,VDB2,VDC2,VXD,VXE8,VXF4,VXP2  |
| 13       | 91601-Z6L-000 | GROMMET, CORD                      | 1         | 1       | 1       |            |  |



| Ref. No. | Part No.       | Description        | Reqd. QTY |         |         | Serial No. | Parts catalogue code   |
|----------|----------------|--------------------|-----------|---------|---------|------------|--|
|          |                |                    | GX 630R   | GX 660R | GX 690R |            |  |
| 14       | 95701-06008-00 | BOLT, FLANGE, 6X8  | 1         | 1       | 1       | -----      | QXA,QXC2,QZA,QZE,QZE3,QZE4,VD,VDB2,VEP4,VXA1,VXD,VXD4,VXD8,VXE1,VXE2,VXE4,VXE8,VXP2,VZA,VZA2   |
| 15       | 95701-06012-00 | BOLT, FLANGE, 6X12 | 1         | 1       | 1       | -----      |  |
| 16       | 95701-06014-00 | BOLT, FLANGE, 6X14 | 1         | 1       | 1       | -----      | QXA,QXC2,QZA,QZE,QZE3,QZE4,VD,VDB2,VEP4,VXA1,VXD,VXD4,VXD8,VXE1,VXE2,VXE4,VXE8,VXP2,VZA,VZA2   |
| 17       | 95701-06030-00 | BOLT, FLANGE, 6X30 | 1         | 1       | 1       | -----      | QXA,QXC2,QZA,QZE,QZE3,QZE4,VD,VDB2,VEP4,VXA1,VXD,VXD4,VXD8,VXE1,VXE2,VXE4,VXE8,VXP2,VZA,VZA2   |
| 18       | 95701-06032-00 | BOLT, FLANGE, 6X32 | 7         | 7       | 7       | -----      | QXA,QXC2,QZA,QZE,QZE3,QZE4,VD,VDB2,VEP4,VXA1,VXD,VXD4,VXD8,VXE1,VXE2,VXE4,VXE8,VXP2,VZA,VZA2   |
|          |                |                    | 8         | 8       | 8       | -----      | BAF,BDW,BXF,BXF5,QAB,QAF,QAF1,QAF3,QDF,QDF2,QDW,QWF2,QXB1,QXF,QXF4,QXF5,QXF6,QYD,QYF,QZA5,QZB,QZB2,QZB3,QZF8,TAF,TDW,TXA2,TXF,TXF4,TXF5,TXF7,TXF9,VAF6,VDC2,VXF,VXF4 |

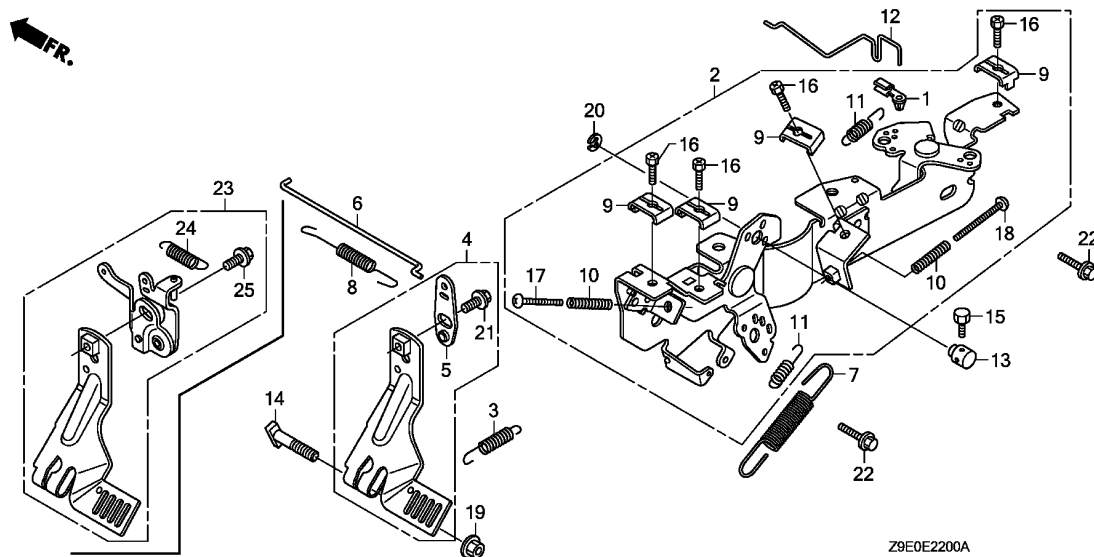




| Ref. No. | L.O.N. | (Relative ref. Number) Description | F.R.T. |
|----------|--------|------------------------------------|--------|
| 3        | 6121D5 | MOTOR, STARTER .....               | 0.2    |
| 5        | 6121C9 | SWITCH, STARTER MAGNETIC .....     | 0.4    |
| 6        | 6121B0 | CLUTCH, OVERRUNNING .....          | 0.6    |
| 8        | 6121A9 | BRUSH, STARTER .....               | 0.5    |
| 11       | 6121A0 | ARMATURE, STARTER .....            | 0.7    |
| 12       | 6121D1 | YOKE, STARTER .....                | 0.4    |
| 16       | (9)    |                                    |        |
|          | 6121B6 | HOLDER, STARTER BRUSH .....        | 0.3    |

2

| Ref. No. | Part No.       | Description                    | Reqd. QTY |         |         | Serial No. | Parts catalogue code |
|----------|----------------|--------------------------------|-----------|---------|---------|------------|----------------------|
|          |                |                                | GX 630R   | GX 660R | GX 690R |            |                      |
| 1        | 30201-PH9-004  | RING, SNAP (DENSO) .....       | 1         | 1       | 1       |            |                      |
| 2        | 30202-PZ1-003  | COLLAR SET, CLUTCH STOP .....  | 1         | 1       | 1       |            |                      |
| 3        | 31200-Z6L-003  | MOTOR ASSY., STARTER .....     | 1         | 1       | 1       |            |                      |
| 4        | 31203-PH9-004  | LEVER, PINION DRIVE .....      | 1         | 1       | 1       |            |                      |
| 5        | 31204-ZJ1-H02  | SWITCH ASSY., MAGNET .....     | 1         | 1       | 1       |            |                      |
| 6        | 31207-ZE9-H01  | CLUTCH COMP., OVERRUNNING ...  | 1         | 1       | 1       |            |                      |
| 7        | 31208-Z6L-003  | HOUSING COMP., DRIVE SIDE ...  | 1         | 1       | 1       |            |                      |
| 8        | 31211-PH9-004  | BRUSH .....                    | 4         | 4       | 4       |            |                      |
| 9        | 31212-PH9-004  | SPRING, BRUSH .....            | 4         | 4       | 4       |            |                      |
| 10       | 31214-PH9-004  | BOLT, THROUGH .....            | 2         | 2       | 2       |            |                      |
| 11       | 31217-Z0A-003  | ARMATURE COMP. ....            | 1         | 1       | 1       |            |                      |
| 12       | 31218-P64-N01  | YOKE COMP. ....                | 1         | 1       | 1       |            |                      |
| 13       | 31219-Z6L-003  | FRAME COMP., COMMUTATOR END .. | 1         | 1       | 1       |            |                      |
| 14       | 31220-PH9-004  | NUT, HEX., 8MM .....           | 1         | 1       | 1       |            |                      |
| 15       | 31223-PA0-006  | NUT, HEX. ....                 | 2         | 2       | 2       |            |                      |
| 16       | 31231-PH9-004  | HOLDER, BRUSH .....            | 1         | 1       | 1       |            |                      |
| 17       | 31233-PH9-004  | INSULATOR, BRUSH HOLDER .....  | 1         | 1       | 1       |            |                      |
| 18       | 31234-Z6L-000  | COVER, TERMINAL .....          | 1         | 1       | 1       |            |                      |
| 19       | 91002-ZG4-801  | BEARING A .....                | 2         | 2       | 2       |            |                      |
| 20       | 94070-08080    | NUT-WASHER, 8MM .....          | 1         | 1       | 1       |            |                      |
| 21       | 95701-10040-00 | BOLT, FLANGE, 10X40 .....      | 2         | 2       | 2       |            |                      |

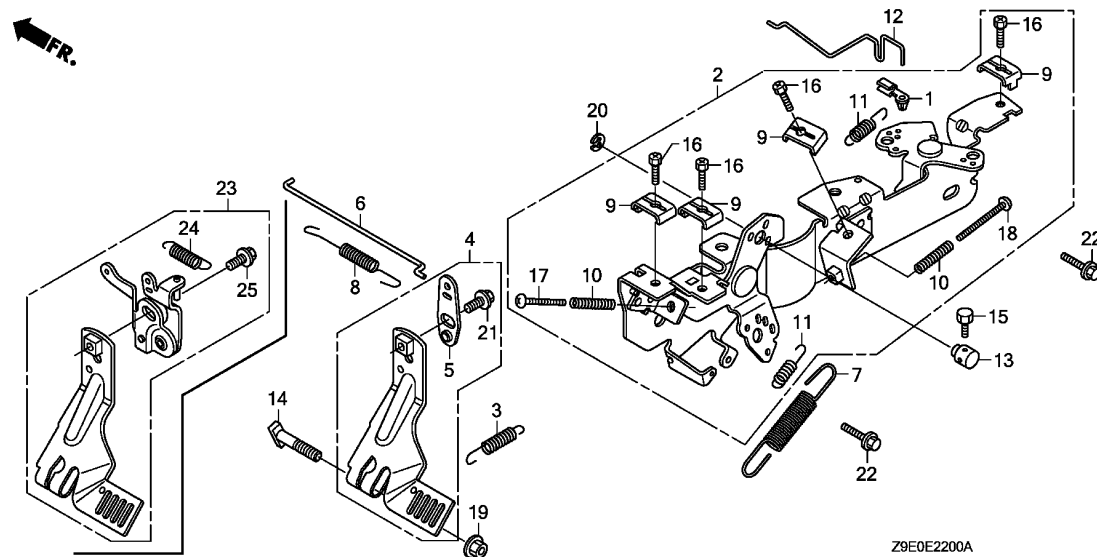


| Ref. No. | L.O.N. | (Relative ref. Number) Description | F.R.T. |
|----------|--------|------------------------------------|--------|
| 2        | 1161A5 | CONTROL, THROTTLE/GOVERNOR ...     | 0.4    |
| 4        | 1161A0 | ARM, GOVERNOR .....                | 0.3    |
| 6        | 1161B1 | ROD, GOVERNOR .....                | 0.2    |
| 7        | 1161C5 | SPRING, GOVERNOR .....             | 0.1    |
| 8        | 1161C2 | SPRING, THROTTLE RETURN .....      | 0.2    |

| Ref. No. | Part No.      | Description                   | Reqd. QTY |         |         | Serial No. | Parts catalogue code   |
|----------|---------------|-------------------------------|-----------|---------|---------|------------|--|
|          |               |                               | GX 630R   | GX 660R | GX 690R |            |  |
| 1        | 16263-Z0G-010 | JOINT, ROD .....              | 1         | 1       | 1       |            |  |
| 2        | 16500-Z6L-000 | CONTROL ASSY. ....            | 1         | 1       | 1       | -----      | BAF,BDW,BXF,BXF5,QAB,QAF,QAF1,QAF3,QDF,QDF2,QDW,QXA,QXB1,QXC2,QXFQXF4,QXF5,QXF6,QYD,QYF,QZA,QZA5,QZB,QZB2,QZB3,QZE,QZE3,QZE4,QZF8TAF,TDW,TXA2,TFX,TXF4,TFX5,TFX7,TFX9,VAF6,VEP4,VXA1,VXE8,VXF,VXF4VZA                |
|          | 16500-Z6L-800 | .....                         | 1         | 1       | 1       | -----      | QWF2,VD,VDB2,VDC2,VXD,VXD4,VXD8,VXE1,VXE2,VXE4,VXP2,VZA2   |
| 3        | 16534-Z6L-000 | SPRING, STARTER .....         | 1         | 1       | 1       |            |  |
| 4        | 16550-Z6L-000 | ARM COMP., GOVERNOR .....     | 1         | 1       | 1       | -----      | BAF,BDW,BXF,BXF5,QAB,QAF,QAF1,QAF3,QDF,QDF2,QDW,QXA,QXB1,QXC2,QXFQXF4,QXF5,QXF6,QYD,QYF,QZA,QZA5,QZB,QZB2,QZB3,QZE,QZE3,QZE4,QZF8TAF,TDW,TXA2,TFX,TXF4,TFX5,TFX7,TFX9,VAF6,VEP4,VXA1,VXD8,VXE1VXE8,VXF,VXF4,VXP2,VZA |
| 5        | 16553-Z6L-000 | ARM, SUB .....                | 1         | 1       | 1       | -----      | BAF,BDW,BXF,BXF5,QAB,QAF,QAF1,QAF3,QDF,QDF2,QDW,QXA,QXB1,QXC2,QXFQXF4,QXF5,QXF6,QYD,QYF,QZA,QZA5,QZB,QZB2,QZB3,QZE,QZE3,QZE4,QZF8TAF,TDW,TXA2,TFX,TXF4,TFX5,TFX7,TFX9,VAF6,VEP4,VXA1,VXD8,VXE1VXE8,VXF,VXF4,VXP2,VZA |
| 6        | 16555-Z6L-000 | ROD, GOVERNOR .....           | 1         | 1       | 1       |            |  |
| 7        | 16561-Z6L-000 | SPRING, GOVERNOR .....        | 1         | 1       | 1       |            |  |
| 8        | 16562-Z6L-000 | SPRING, THROTTLE RETURN ..... | 1         | 1       | 1       |            |  |
| 9        | 16576-891-000 | HOLDER, CABLE .....           | 4         | 4       | 4       |            |  |
| 10       | 16584-883-300 | SPRING, CONTROL ADJUSTING ... | 1         | 1       | 1       | -----      | QWF2,VD,VDB2,VDC2,VXD,VXD4,VXD8,VXE1,VXE2,VXE4,VXP2,VZA2   |
|          |               |                               | 2         | 2       | 2       | -----      | BAF,BDW,BXF,BXF5,QAB,QAF,QAF1,QAF3,QDF,QDF2,QDW,QXA,QXB1,QXC2,QXFQXF4,QXF5,QXF6,QYD,QYF,QZA,QZA5,QZB,QZB2,QZB3,QZE,QZE3,QZE4,QZF8TAF,TDW,TXA2,TFX,TXF4,TFX5,TFX7,TFX9,VAF6,VEP4,VXA1,VXE8,VXF,VXF4VZA                |
| 11       | 16592-ZJ1-000 | SPRING, CABLE RETURN .....    | 2         | 2       | 2       |            |  |
| 12       | 16611-Z6L-000 | ROD, CHOKE CONTROL .....      | 1         | 1       | 1       |            |  |







Z9E0E2200A

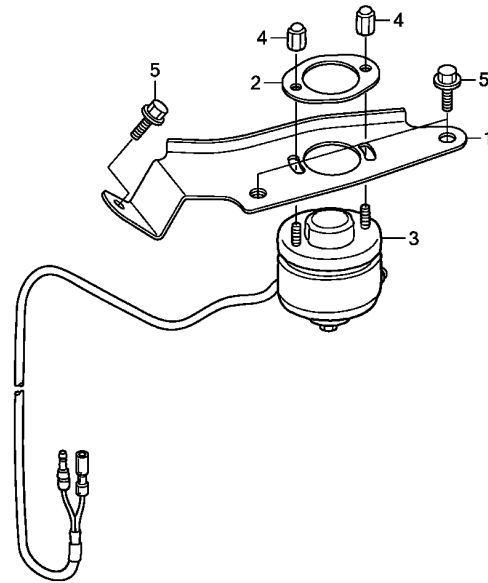
| Ref. No. | Part No.       | Description                | Reqd. QTY |         |         | Serial No. | Parts catalogue code   |
|----------|----------------|----------------------------|-----------|---------|---------|------------|--|
|          |                |                            | GX 630R   | GX 660R | GX 690R |            |  |
| 13       | 16617-Z6L-000  | HOLDER, CABLE .....        | 1         | 1       | 1       | -----      | BAF,BXF,QAF1,QDF,QXC2,QXF4,QXF6,QZA5,QZB,QZB2,QZB3,QZE,QZE4,QZF8<br>TAF,TXA2,TFX,TXF4,TFX7,VEP4,VXA1,VXF,VZA   |
| 14       | 90015-ZE3-790  | BOLT, GOVERNOR ARM .....   | 1         | 1       | 1       | -----      | BAF,BXF,QAF1,QDF,QXC2,QXF4,QXF6,QZA5,QZB,QZB2,QZB3,QZE,QZE4,QZF8<br>TAF,TXA2,TFX,TXF4,TFX7,VEP4,VXA1,VXF,VZA   |
| 15       | 92301-04006-0H | BOLT, RECESSED, 4X6 .....  | 1         | 1       | 1       | -----      | BAF,BXF,QAF1,QDF,QXC2,QXF4,QXF6,QZA5,QZB,QZB2,QZB3,QZE,QZE4,QZF8<br>TAF,TXA2,TFX,TXF4,TFX7,VEP4,VXA1,VXF,VZA   |
| 16       | 92301-05016-0A | BOLT, RECESSED, 5X16 ..... | 4         | 4       | 4       | -----      | BAF,BDW,BXF,BXF5,QAB,QAF,QAF1,QAF3,QDF,QDF2,QDW,QXA,QXB1,QXC2,QXF<br>QXF4,QXF5,QXF6,QYD,QYF,QZA,QZA5,QZB,QZB2,QZB3,QZE,QZE3,QZE4,QZF8<br>TAF,TDW,TXA2,TFX,TXF4,TFX5,TFX7,TFX9,VAF6,VEP4,VXA1,VXE8,VXF,VXF4<br>VZA                |
| 17       | 93500-05030-0A | SCREW, PAN, 5X30 .....     | 1         | 1       | 1       | -----      | QWF2,VD,VDB2,VDC2,VXD,VXD4,VXD8,VXE1,VXE2,VXE4,VXP2,VZA2   |
| 18       | 93500-05045-0A | SCREW, PAN, 5X45 .....     | 1         | 1       | 1       | -----      | BAF,BDW,BXF,BXF5,QAB,QAF,QAF1,QAF3,QDF,QDF2,QDW,QXA,QXB1,QXC2,QXF<br>QXF4,QXF5,QXF6,QYD,QYF,QZA,QZA5,QZB,QZB2,QZB3,QZE,QZE3,QZE4,QZF8<br>TAF,TDW,TXA2,TFX,TXF4,TFX5,TFX7,TFX9,VAF6,VEP4,VXA1,VXE8,VXF,VXF4<br>VZA                |
| 19       | 94050-06000    | NUT, FLANGE, 6MM .....     | 1         | 1       | 1       | -----      | BAF,BXF,QAF1,QDF,QXC2,QXF4,QXF6,QZA5,QZB,QZB2,QZB3,QZE,QZE4,QZF8<br>TAF,TXA2,TFX,TXF4,TFX7,VEP4,VXA1,VXF,VZA   |
| 20       | 94540-05018    | E-RING, 5MM .....          | 1         | 1       | 1       | -----      | BAF,BDW,BXF,BXF5,QAB,QAF,QAF1,QAF3,QDF,QDF2,QDW,QXA,QXB1,QXC2,QXF<br>QXF4,QXF5,QXF6,QYD,QYF,QZA,QZA5,QZB,QZB2,QZB3,QZE,QZE3,QZE4,QZF8<br>TAF,TDW,TXA2,TFX,TXF4,TFX5,TFX7,TFX9,VAF6,VEP4,VXA1,VXD8,VXE1<br>VXE8,VXF,VXF4,VXP2,VZA |
| 21       | 95701-06010-00 | BOLT, FLANGE, 6X10 .....   | 1         | 1       | 1       | -----      | QWF2,VD,VDB2,VDC2,VXD,VXD4,VXE2,VXE4,VZA2  |
| 22       | 95701-06014-00 | BOLT, FLANGE, 6X14 .....   | 2         | 2       | 2       | -----      | QWF2,VD,VDB2,VDC2,VXD,VXD4,VXE2,VXE4,VZA2  |
| 23       | 16550-Z6L-800  | ARM COMP., GOVERNOR .....  | 1         | 1       | 1       | -----      | QWF2,VD,VDB2,VDC2,VXD,VXD4,VXE2,VXE4,VZA2  |
| 24       | 16592-Z6L-800  | SPRING, RETURN .....       | 1         | 1       | 1       | -----      | QWF2,VD,VDB2,VDC2,VXD,VXD4,VXE2,VXE4,VZA2  |
| 25       | 96001-06010-00 | BOLT, FLANGE, 6X10 .....   | 1         | 1       | 1       | -----      | QWF2,VD,VDB2,VDC2,VXD,VXD4,VXE2,VXE4,VZA2  |

E-22-20

AUTO THROTTLE

E12

FR.

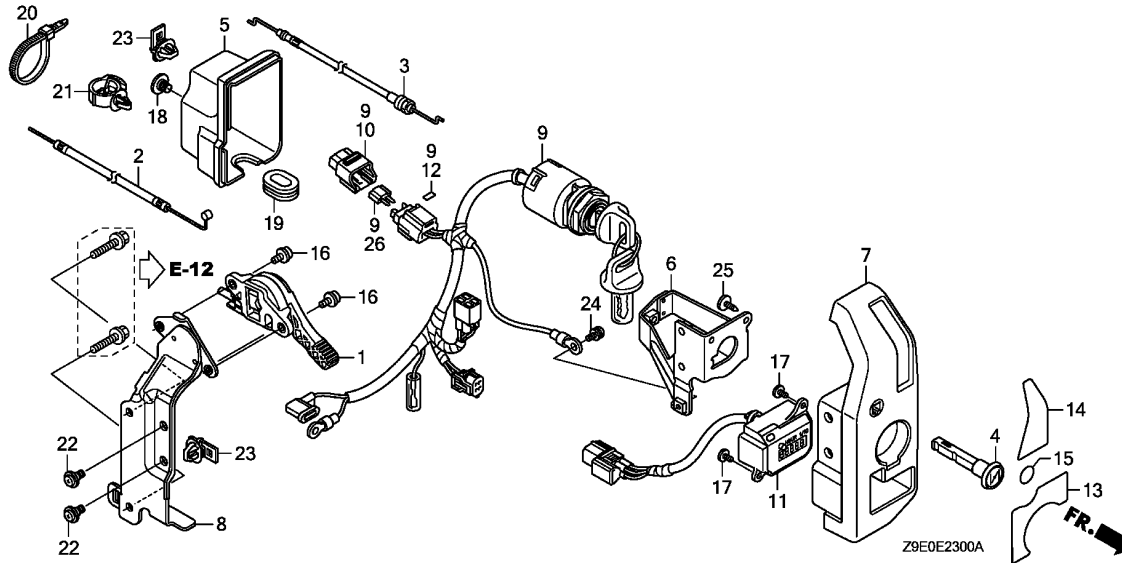


Z9E0E2220

| Ref. No. | L.O.N. | (Relative ref. Number) Description | F.R.T. |
|----------|--------|------------------------------------|--------|
| 3        | 6151A6 | SOLENOID, ROTARY .....             | 0.3    |

| Ref. No. | Part No.       | Description                  | Reqd. QTY |         |         | Serial No. | Parts catalogue code                      |
|----------|----------------|------------------------------|-----------|---------|---------|------------|---|
|          |                |                              | GX 630R   | GX 660R | GX 690R |            |   |
| 1        | 36335-Z6L-000  | STAY, SOLENOID .....         | 1         | 1       | 1       | -----      | QWF2,VD,VDB2,VDC2,VXD,VXD4,VXE2,VXE4,VZA2 |
| 2        | 36337-Z6L-000  | PLATE, SOLENOID .....        | 1         | 1       | 1       | -----      | QWF2,VD,VDB2,VDC2,VXD,VXD4,VXE2,VXE4,VZA2 |
| 3        | 36350-Z6L-003  | SOLENOID ASSY., ROTARY ..... | 1         | 1       | 1       | -----      | QWF2,VD,VDB2,VDC2,VXD,VXD4,VXE2,VXE4,VZA2 |
| 4        | 90202-ZJ1-840  | NUT, SPECIAL CAP .....       | 2         | 2       | 2       | -----      | QWF2,VD,VDB2,VDC2,VXD,VXD4,VXE2,VXE4,VZA2 |
| 5        | 95701-06014-00 | BOLT, FLANGE, 6X14 .....     | 3         | 3       | 3       | -----      | QWF2,VD,VDB2,VDC2,VXD,VXD4,VXE2,VXE4,VZA2 |

2

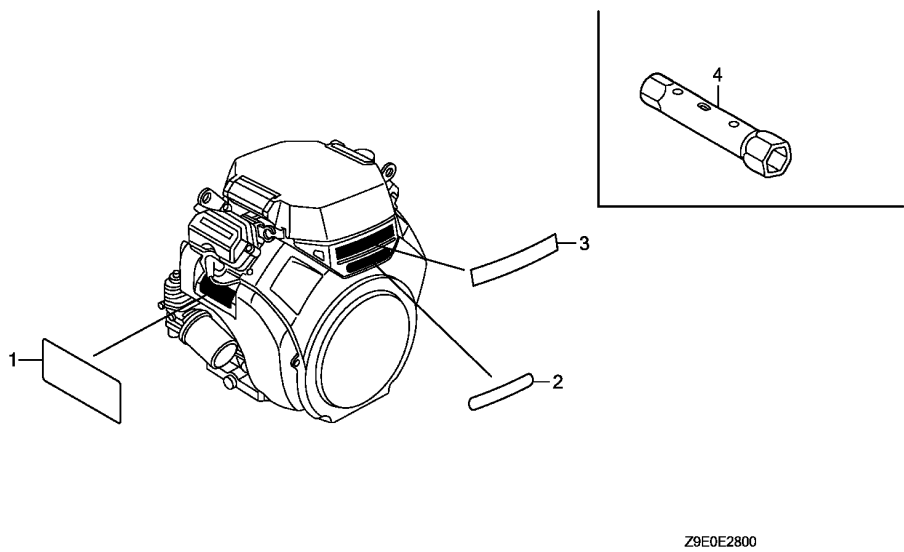


| Ref. No. | L.O.N. | (Relative ref. Number) Description | F.R.T. |
|----------|--------|------------------------------------|--------|
| 2        | 8111C8 | CABLE, THROTTLE .....              | 0.2    |
| 3        | 8111A9 | CABLE, CHOKE .....                 | 0.2    |
| 9        | 6151E1 | SWITCH, COMBINATION .....          | 0.4    |
| 11       | 812113 | METER, HOUR .....                  | 0.3    |

| Ref. No. | Part No.      | Description                   | Reqd. QTY |         |         | Serial No. | Parts catalogue code  |
|----------|---------------|-------------------------------|-----------|---------|---------|------------|---|
|          |               |                               | GX 630R   | GX 660R | GX 690R |            |   |
| 1        | 17850-Z6L-003 | LEVER ASSY., THROTTLE .....   | 1         | 1       | 1       | -----      | BAF,BXF,QAF1,QDF,QXC2,QXF4,QXF6,QZA5,QZB,QZB2,QZB3,QZE,QZE4,QZF8 TAF,TXA2,TFX,TFX4,TFX7,VEP4,VXA1,VXF,VZA   |
| 2        | 17910-Z6L-000 | CABLE COMP., THROTTLE .....   | 1         | 1       | 1       | -----      | BAF,BXF,QAF1,QDF,QXC2,QXF4,QXF6,QZA5,QZB,QZB2,QZB3,QZE,QZE4,QZF8 TAF,TXA2,TFX,TFX4,TFX7,VEP4,VXA1,VXF,VZA   |
| 3        | 17950-Z6L-000 | CABLE COMP., CHOKE .....      | 1         | 1       | 1       | -----      | BAF,BXF,QAF1,QDF,QXC2,QXF,QXF4,QXF5,QXF6,QZA5,QZB,QZB2,QZB3 QZE,QZE4,QZF8,TAF,TXA2,TFX,TFX4,TFX5,TFX7,VEP4,VXA1,VXD4,VXD8 VXE1,VXE2,VXE4,VXF,VZA,VZA2                   |
| 4        | 17951-ZV1-000 | KNOB, CHOKE .....             | 1         | 1       | 1       | -----      | BAF,BXF,BXF5,QAF1,QDF,QXC2,QXF,QXF4,QXF5,QXF6,QZA5,QZB,QZB2,QZB3 QZE,QZE4,QZF8,TAF,TXA2,TFX,TFX4,TFX5,TFX7,VEP4,VXA1,VXD4,VXD8 VXE1,VXE2,VXE4,VXF,VZA,VZA2              |
| 5        | 31612-Z6L-000 | COVER, CONTROL .....          | 1         | 1       | 1       | -----      | BAF,BXF,BXF5,QAF1,QDF,QXA,QXC2,QXF,QXF4,QXF5,QXF6,QZA,QZA5,QZB QZB2,QZB3,QZE,QZE3,QZE4,QZF8,TAF,TXA2,TFX,TFX4,TFX5,TFX7,VEP4 VXA1,VXD4,VXD8,VXE1,VXE2,VXE4,VXF,VZA,VZA2 |
| 6        | 31614-Z6L-000 | BRACKET, SWITCH BOX .....     | 1         | 1       | 1       | -----      | BAF,BXF,BXF5,QAF1,QDF,QXA,QXC2,QXF,QXF4,QXF5,QXF6,QZA,QZA5,QZB QZB2,QZB3,QZE,QZE3,QZE4,QZF8,TAF,TXA2,TFX,TFX4,TFX5,TFX7,VEP4 VXA1,VXD4,VXD8,VXE1,VXE2,VXE4,VXF,VZA,VZA2 |
| 7        | 32346-Z6L-000 | PANEL, CONTROL .....          | 1         | 1       | 1       | -----      | BAF,BXF,QAF1,QDF,QXC2,QXF4,QXF6,QZA5,QZB,QZB2,QZB3,QZE,QZE4,QZF8 TAF,TXA2,TFX,TFX4,TFX7,VEP4,VXA1,VXF,VZA   |
|          | 32346-Z6L-800 | .....                         | 1         | 1       | 1       | -----      | BXF5,QXA,QXF,QXF5,QZA,QZE3,TFX5,VXD4,VXD8,VXE1,VXE2,VXE4,VZA2   |
| 8        | 32347-Z6L-000 | BRACKET, CONTROL BOX .....    | 1         | 1       | 1       | -----      | BAF,BXF,BXF5,QAF1,QDF,QXA,QXC2,QXF,QXF4,QXF5,QXF6,QZA,QZA5,QZB QZB2,QZB3,QZE,QZE3,QZE4,QZF8,TAF,TXA2,TFX,TFX4,TFX5,TFX7,VEP4 VXA1,VXD4,VXD8,VXE1,VXE2,VXE4,VXF,VZA,VZA2 |
| 9        | 35100-Z6L-003 | SWITCH ASSY., COMBINATION ... | 1         | 1       | 1       | -----      | BAF,BXF,BXF5,QAF1,QDF,QXA,QXC2,QXF,QXF4,QXF5,QXF6,QZA,QZA5,QZB QZB2,QZB3,QZE,QZE3,QZE4,QZF8,TAF,TXA2,TFX,TFX4,TFX5,TFX7,VEP4 VXA1,VXD4,VXD8,VXE1,VXE2,VXE4,VXF,VZA,VZA2 |
| 10       | 38216-Z2E-003 | COVER ASSY., FUSE .....       | 1         | 1       | 1       | -----      | BAF,BXF,BXF5,QAF1,QDF,QXA,QXC2,QXF,QXF4,QXF5,QXF6,QZA,QZA5,QZB QZB2,QZB3,QZE,QZE3,QZE4,QZF8,TAF,TXA2,TFX,TFX4,TFX5,TFX7,VEP4 VXA1,VXD4,VXD8,VXE1,VXE2,VXE4,VXF,VZA,VZA2 |

| Ref. No. | Part No.       | Description                    | Reqd. QTY |         |         | Serial No. | Parts catalogue code  |
|----------|----------------|--------------------------------|-----------|---------|---------|------------|---|
|          |                |                                | GX 630R   | GX 660R | GX 690R |            |   |
| 11       | 39700-Z6L-003  | METER ASSY., HOUR .....        | 1         | 1       | 1       | -----      | BAF,BXF,BXF5,QAF1,QDF,QXA,QXC2,QXF,QXF4,QXF5,QXF6,QZA,QZA5,QZB,QZB2,QZB3,QZE,QZE3,QZE4,QZF8,TAF,TXA2,TFX,TFX4,TFX5,TFX7,VEP4,VXA1,VXD4,VXD8,VXE1,VXE2,VXE4,VXF,VZA,VZA2 |
| 12       | 87117-Z2E-800  | LABEL, FUSE (30A) .....        | 1         | 1       | 1       | -----      | BAF,BXF,BXF5,QAF1,QDF,QXA,QXC2,QXF,QXF4,QXF5,QXF6,QZA,QZA5,QZB,QZB2,QZB3,QZE,QZE3,QZE4,QZF8,TAF,TXA2,TFX,TFX4,TFX5,TFX7,VEP4,VXA1,VXD4,VXD8,VXE1,VXE2,VXE4,VXF,VZA,VZA2 |
| 13       | 87501-Z6L-000  | MARK, ENGINE SWITCH .....      | 1         | 1       | 1       | -----      | BXF,BXF5,QXA,QXC2,QXF,QXF4,QXF5,QXF6,QZA,QZA5,QZB,QZB2,QZB3,QZE,QZE3,QZE4,QZF8,TXA2,TFX,TFX4,TFX5,TFX7,VEP4,VXA1,VXD4,VXD8,VXE1,VXE2,VXE4,VXF,VZA,VZA2                  |
|          | 87501-Z6L-800  | .....                          | 1         | 1       | 1       | -----      | BAF,QAF1,QDF,TAF  |
| 14       | 87502-Z6L-000  | MARK, THROTTLE SWITCH .....    | 1         | 1       | 1       | -----      | BAF,BXF,QAF1,QDF,QXC2,QXF4,QXF6,QZA5,QZB,QZB2,QZB3,QZE,QZE4,QZF8,TAF,TXA2,TFX,TFX4,TFX7,VEP4,VXA1,VXF,VZA   |
|          | 87502-Z6L-800  | .....                          | 1         | 1       | 1       | -----      | BXF5,QXF,QXF5,TFX5,VXD4,VXD8,VXE1,VXE2,VXE4,VZA2  |
| 15       | 87506-Z6L-000  | MARK, HOLE COVER .....         | 1         | -       | -       | -----      | QXA,QZA,QZE3  |
| 16       | 90011-Z0H-811  | BOLT, SOCKET, 5X9 .....        | 2         | 2       | 2       | -----      | BAF,BXF,QAF1,QDF,QXC2,QXF4,QXF6,QZA5,QZB,QZB2,QZB3,QZE,QZE4,QZF8,TAF,TXA2,TFX,TFX4,TFX7,VEP4,VXA1,VXF,VZA   |
| 17       | 90101-SP1-003  | SCREW, TAPPING, 3X8(PO) .....  | 2         | 2       | 2       | -----      | BAF,BXF,BXF5,QAF1,QDF,QXA,QXC2,QXF,QXF4,QXF5,QXF6,QZA,QZA5,QZB,QZB2,QZB3,QZE,QZE3,QZE4,QZF8,TAF,TXA2,TFX,TFX4,TFX5,TFX7,VEP4,VXA1,VXD4,VXD8,VXE1,VXE2,VXE4,VXF,VZA,VZA2 |
| 18       | 90380-MB2-000  | SCREW, SPECIAL, 6X8 .....      | 1         | 1       | 1       | -----      | BAF,BXF,BXF5,QAF1,QDF,QXA,QXC2,QXF,QXF4,QXF5,QXF6,QZA,QZA5,QZB,QZB2,QZB3,QZE,QZE3,QZE4,QZF8,TAF,TXA2,TFX,TFX4,TFX5,TFX7,VEP4,VXA1,VXD4,VXD8,VXE1,VXE2,VXE4,VXF,VZA,VZA2 |
| 19       | 90601-Z6L-000  | GROMMET, CONTROL BOX .....     | 1         | 1       | 1       | -----      | BAF,BXF,BXF5,QAF1,QDF,QXA,QXC2,QXF,QXF4,QXF5,QXF6,QZA,QZA5,QZB,QZB2,QZB3,QZE,QZE3,QZE4,QZF8,TAF,TXA2,TFX,TFX4,TFX5,TFX7,VEP4,VXA1,VXD4,VXD8,VXE1,VXE2,VXE4,VXF,VZA,VZA2 |
| 20       | 90650-KV6-003  | BAND, WIRE, 95MM .....         | 1         | 1       | 1       | -----      | BAF,BXF,BXF5,QAF1,QDF,QXC2,QXF,QXF4,QXF5,QXF6,QZA5,QZB,QZB2,QZB3,QZE,QZE4,QZF8,TAF,TXA2,TFX,TFX4,TFX5,TFX7,VEP4,VXA1,VXD4,VXD8,VXE1,VXE2,VXE4,VXF,VZA,VZA2              |
| 21       | 90681-763-A01  | CLIP, WIRE HARNESS .....       | 1         | 1       | 1       | -----      | BAF,BXF,BXF5,QAF1,QDF,QXA,QXC2,QXF,QXF4,QXF5,QXF6,QZA,QZA5,QZB,QZB2,QZB3,QZE,QZE3,QZE4,QZF8,TAF,TXA2,TFX,TFX4,TFX5,TFX7,VEP4,VXA1,VXD4,VXD8,VXE1,VXE2,VXE4,VXF,VZA,VZA2 |
| 22       | 91508-GN2-000  | SCREW, PAN, 5X10.5 .....       | 2         | 2       | 2       | -----      | BAF,BXF,BXF5,QAF1,QDF,QXA,QXC2,QXF,QXF4,QXF5,QXF6,QZA,QZA5,QZB,QZB2,QZB3,QZE,QZE3,QZE4,QZF8,TAF,TXA2,TFX,TFX4,TFX5,TFX7,VEP4,VXA1,VXD4,VXD8,VXE1,VXE2,VXE4,VXF,VZA,VZA2 |
| 23       | 91565-SEL-003  | CLIP, COUPLER (BLACK) .....    | 2         | 2       | 2       | -----      | BAF,BXF,BXF5,QAF1,QDF,QXA,QXC2,QXF,QXF4,QXF5,QXF6,QZA,QZA5,QZB,QZB2,QZB3,QZE,QZE3,QZE4,QZF8,TAF,TXA2,TFX,TFX4,TFX5,TFX7,VEP4,VXA1,VXD4,VXD8,VXE1,VXE2,VXE4,VXF,VZA,VZA2 |
| 24       | 93893-05008-07 | SCREW-WASHER, 5X8 .....        | 1         | 1       | 1       | -----      | BAF,BXF,BXF5,QAF1,QDF,QXA,QXC2,QXF,QXF4,QXF5,QXF6,QZA,QZA5,QZB,QZB2,QZB3,QZE,QZE3,QZE4,QZF8,TAF,TXA2,TFX,TFX4,TFX5,TFX7,VEP4,VXA1,VXD4,VXD8,VXE1,VXE2,VXE4,VXF,VZA,VZA2 |
| 25       | 93913-25310    | SCREW, TAPPING, 5X14(PO) ..... | 1         | 1       | 1       | -----      | BAF,BXF,BXF5,QAF1,QDF,QXA,QXC2,QXF,QXF4,QXF5,QXF6,QZA,QZA5,QZB,QZB2,QZB3,QZE,QZE3,QZE4,QZF8,TAF,TXA2,TFX,TFX4,TFX5,TFX7,VEP4,VXA1,VXD4,VXD8,VXE1,VXE2,VXE4,VXF,VZA,VZA2 |
| 26       | 98200-43000    | FUSE, MINI (30A) .....         | 1         | 1       | 1       | -----      | BAF,BXF,BXF5,QAF1,QDF,QXA,QXC2,QXF,QXF4,QXF5,QXF6,QZA,QZA5,QZB,QZB2,QZB3,QZE,QZE3,QZE4,QZF8,TAF,TXA2,TFX,TFX4,TFX5,TFX7,VEP4,VXA1,VXD4,VXD8,VXE1,VXE2,VXE4,VXF,VZA,VZA2 |



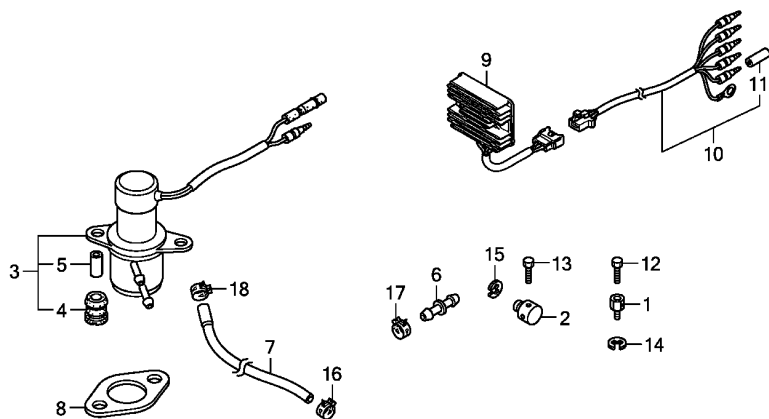


Ref. (Relative ref. Number)  
No. L.O.N. Description F.R.T.

NO INFORMATION .....

Z9E0E2800

| Ref. No. | Part No.      | Description                                     | Reqd. QTY |         |         | Serial No. | Parts catalogue code  |
|----------|---------------|---|-----------|---------|---------|------------|---|
|          |               |   | GX 630R   | GX 660R | GX 690R |            |   |
| 1        | 87516-ZH7-010 | MARK, OPERATOR CAUTION (ENGLISH)(MADE IN JAPAN) | 1         | 1       | 1       | -----      | BAF,BDW,BXF,QAB,QAF,QAF1,QAF3,QDF,QDF2,QDW,QWF2,QXA,QXB1,QXC2,QXF6,QYF,QZA,QZB,QZB2,QZB3,QZE,QZF8,TAF,TDW,TXA2,TXF,TXF7,VAF6,VDVDB2,VDC2,VXA1,VXD,VXD8,VXE1,VXE2,VZA,VZA2 |
|          | 87519-ZH7-000 | MARK, OPERATOR CAUTION (PICTOGRAPH)             | 1         | 1       | 1       | -----      | BXF5,QXF,QXF4,QXF5,QYD,QZA5,QZE3,QZE4,TXF4,TXF5,TXF9,VEP4,VXD4,VXE4,VXE8,VXF,VXF4,VXP2  |
| 2        | 87521-Z6N-000 | EMBLEM (GX630) .....                            | 1         | -       | -       |            |   |
|          | 87521-Z8N-000 | EMBLEM (GX660) .....                            | -         | 1       | -       |            |   |
|          | 87521-Z6L-000 | EMBLEM (GX690) .....                            | -         | -       | 1       |            |   |
| 3        | 87531-Z6L-000 | MARK, HONDA .....                               | 1         | 1       | 1       |            |   |
| 4        | 99004-16170   | WRENCH, BOX (P16X17) .....                      | 1         | 1       | 1       | -----      | BXF5,QXF,QXF5,QZE3,TXF4,TXF5,TXF9,VD,VEP4,VXD,VXD8,VXF  |



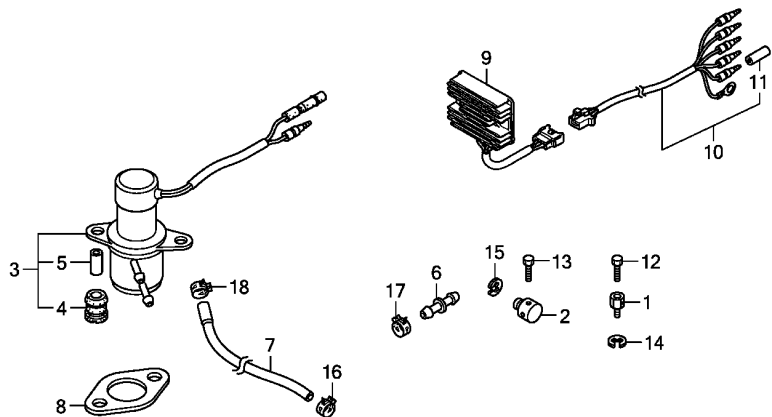
Z9E0E4000A

Ref. L.O.N. (Relative ref. Number) F.R.T.  
No. Description

NO INFORMATION .....

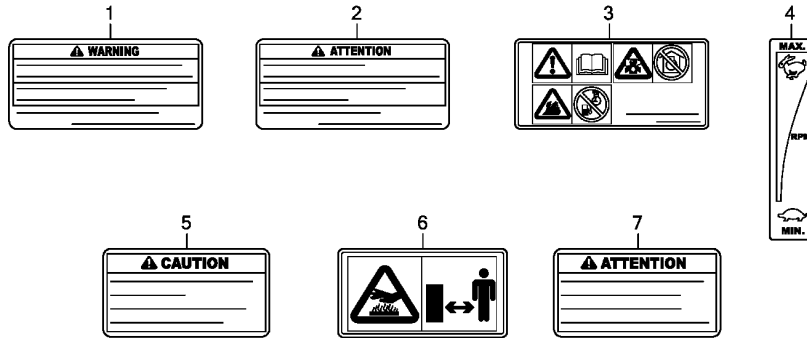
| Ref. No. | Part No.       | Description                         | Reqd. QTY |         |         | Serial No. | Parts catalogue code   |
|----------|----------------|-------------------------------------|-----------|---------|---------|------------|--|
|          |                |                                     | GX 630R   | GX 660R | GX 690R |            |  |
| 1        | 16594-883-010  | HOLDER, WIRE .....                  | 1         | 1       | 1       | -----      | BDW,QAB,QAF,QAF3,QDF2,QDW,QWF2,QXA,QXB1,QYD,QYF,QZA,QZE3,TDW,TXF9 VAF6,VD,VDB2,VDC2,VXD,VXE8,VXF4,VXP2   |
| 2        | 16617-26L-000  | HOLDER, CABLE .....                 | 1         | 1       | 1       | -----      | BDW,BXF5,QAB,QAF,QAF3,QDF2,QDW,QXA,QXB1,QXF,QXF5,QYD,QYF,QZA,QZE3 TDW,TXF5,TXF9,VAF6,VXE8,VXF4   |
| 3        | 16700-758-003  | PUMP ASSY., FUEL .....              | 1         | -       | -       | -----      | QYD  |
| 4        | 16711-679-000  | RUBBER, FUEL PUMP MOUNTING ..       | 2         | -       | -       | -----      | QYD  |
| 5        | 16712-657-300  | COLLAR, FUEL PUMP DISTANCE ..       | 2         | -       | -       | -----      | QYD  |
| 6        | 16958-GJ6-000  | JOINT, FUEL TUBE .....              | 1         | -       | -       | -----      | QYD  |
| 7        | 17701-Z6C-832  | HOSE, FUEL (FKM) .....              | 1         | -       | -       | -----      | VXD  |
|          | 17732-Z6D-013  | TUBE, FUEL SPECIAL (FKM) .....      | 1         | -       | -       | -----      | QYD  |
| 8        | 18333-ZE3-800  | GASKET, EX. PIPE .....              | 2         | 2       | 2       | -----      |  |
| 9        | 31750-Z2E-803  | RECTIFIER ASSY., REGULATOR<br>(20A) | 1         | 1       | 1       | -----      | BAF,BDW,BXF,BXF5,QAB,QAF,QAF1,QAF3,QDF,QDF2,QDW,QWF2,QXB1,QXF QXF4,QXF5,QXF6,QYD,QYF,QZA5,QZB,QZB2,QZB3,QZF8,TAF,TDW,TXA2,TXF TXF4,TXF5,TXF7,TXF9,VAF6,VDC2,VXF,VXF4 |
| 10       | 32105-Z6L-000  | HARNESS ASSY., SUB WIRE .....       | 1         | 1       | 1       | -----      | BAF,BDW,BXF,BXF5,QAB,QAF,QAF1,QAF3,QDF,QDF2,QDW,QWF2,QXB1,QXF QXF4,QXF5,QXF6,QYD,QYF,QZA5,QZB,QZB2,QZB3,QZF8,TAF,TDW,TXA2,TXF TXF4,TXF5,TXF7,TXF9,VAF6,VDC2,VXF,VXF4 |
| 11       | 32824-ZV5-003  | PLUG, OUTER CONNECTOR .....         | 1         | 1       | 1       | -----      | BAF,BDW,BXF,BXF5,QAB,QAF,QAF1,QAF3,QDF,QDF2,QDW,QWF2,QXB1,QXF QXF4,QXF5,QXF6,QYD,QYF,QZA5,QZB,QZB2,QZB3,QZF8,TAF,TDW,TXA2,TXF TXF4,TXF5,TXF7,TXF9,VAF6,VDC2,VXF,VXF4 |
| 12       | 92301-04006-0H | BOLT, RECESSED, 4X6 .....           | 1         | 1       | 1       | -----      | BDW,QAB,QAF,QAF3,QDF2,QDW,QWF2,QXA,QXB1,QYD,QYF,QZA,QZE3,TDW,TXF9 VAF6,VD,VDB2,VDC2,VXD,VXE8,VXF4,VXP2   |
| 13       | 92301-04006-0H | BOLT, RECESSED, 4X6 .....           | 1         | 1       | 1       | -----      | BDW,BXF5,QAB,QAF,QAF3,QDF2,QDW,QXA,QXB1,QXF,QXF5,QYD,QYF,QZA,QZE3 TDW,TXF5,TXF9,VAF6,VXE8,VXF4   |
| 14       | 94540-05018    | E-RING, 5MM .....                   | 1         | 1       | 1       | -----      | BDW,QAB,QAF,QAF3,QDF2,QDW,QWF2,QXA,QXB1,QYD,QYF,QZA,QZE3,TDW,TXF9 VAF6,VD,VDB2,VDC2,VXD,VXE8,VXF4,VXP2   |





Z9E0E4000A

| Ref. No. | Part No.       | Description               | Reqd. QTY |         |         | Serial No. | Parts catalogue code  |
|----------|----------------|---------------------------|-----------|---------|---------|------------|---|
|          |                |                           | GX 630R   | GX 660R | GX 690R |            |   |
| 15       | 94540-05018    | E-RING, 5MM .....         | 1         | 1       | 1       | -----      | BDW,BXF5,QAB,QAF,QAF3,QDF2,QDW,QXA,QXB1,QXF,QXF5,QYD,QYF,QZA,QZE3<br>TDW,TF5,TF9,VAF6,VXE8,VXF4 |
| 16       | 95002-40800-08 | CLAMP, TUBE (D8) .....    | 1         | -       | -       | -----      | QYD,VXD   |
| 17       | 95002-40850-08 | CLAMP, TUBE (D8.5) .....  | 1         | -       | -       | -----      | QYD   |
| 18       | 95002-40850-08 | CLAMP, TUBE (D8.5) .....  | 1         | -       | -       | -----      | QYD   |
|          | 95002-41050-08 | CLAMP, TUBE (D10.5) ..... | 1         | -       | -       | -----      | VXD   |



Z9E0E4001

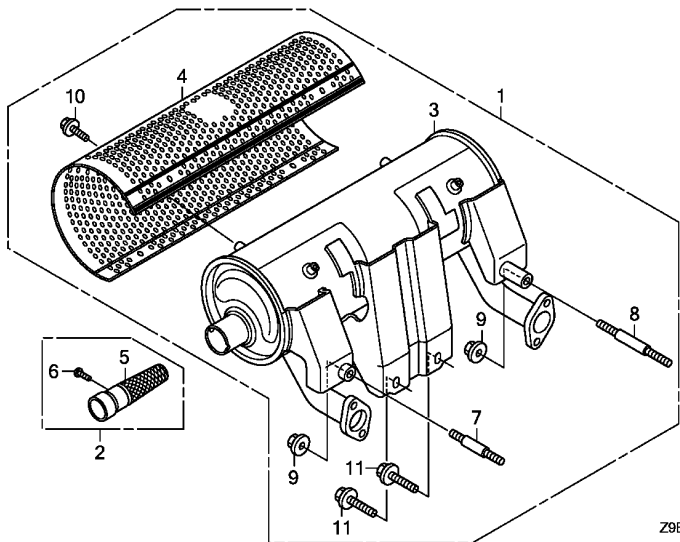
Ref. L.O.N. (Relative ref. Number) F.R.T.  
No. Description

NO INFORMATION .....

| Ref. No. | Part No.      | Description                                     | Reqd. QTY |         |         | Serial No. | Parts catalogue code  |
|----------|---------------|---|-----------|---------|---------|------------|---|
|          |               |   | GX 630R   | GX 660R | GX 690R |            |   |
| 1        | 87516-ZH7-010 | MARK, OPERATOR CAUTION (ENGLISH)(MADE IN JAPAN) | 1         | 1       | 1       | -----      | BXF5,QXF,QXF4,QXF5,QYD,QZA5,QZE3,QZE4,TFX4,TFX5,TFX9,VEP4,VXD4,VXE4,VXE8,VXF,VXF4,VXP2  |
| 2        | 87516-ZH7-801 | MARK, OPERATOR CAUTION (FRENCH)(MADE IN JAPAN)  | 1         | 1       | 1       | -----      |   |
| 3        | 87519-ZH7-000 | MARK, OPERATOR CAUTION (PICTOGRAPH)             | 1         | 1       | 1       | -----      | BAF,BDW,BXF,QAB,QAF,QAF1,QAF3,QDF,QDF2,QDW,QWF2,QXA,QXB1,QXC2,QXF6,QYF,QZA,QZB,QZB2,QZB3,QZE,QZF8,TAF,TDW,TXA2,TFX,TFX7,VAF6,VD,VDB2,VDC2,VXA1,VXD,VXD8,VXE1,VXE2,VZA,VZA2                  |
| 4        | 87532-ZH7-800 | MARK, THROTTLE INDICATION ...                   | 1         | -       | 1       | -----      | QDF2,QXB1,TDW   |
| 5        | 87539-Z0J-000 | MARK, EX. CAUTION (ENGLISH) -                   | 1         | -       | -       | -----      | VXE2  |
|          |               |   | (1)       | -       | -       | -----      | QZB,VD,VXD  |
|          |               |   | -         | (1)     | (1)     | -----      | QAB,QAF,QAF1,QAF3,QDF,QDF2,QDW,QWF2,QXA,QXB1,QXC2,QXF,QXF4,QXF5,QXF6,QYD,QYF,QZA,QZA5,QZB2,QZB3,QZE,QZE3,QZE4,QZF8,VAF6,VDB2,VDC2,VEP4,VXA1,VXD4,VXD8,VXE1,VXE2,VXE8,VXF,VXF4,VXP2,VZA,VZA2 |
| 6        | 87539-Z0J-800 | MARK, EX. CAUTION (PICTOGRAPH)                  | (1)       | (1)     | (1)     | -----      | QZB,VD,VXD  |
| 7        | 87539-Z0J-810 | MARK, EX. CAUTION (FRENCH) ..                   | (1)       | -       | -       | -----      | QAB,QAF,QAF1,QAF3,QDF,QDF2,QDW,QWF2,QXA,QXB1,QXC2,QXF,QXF4,QXF5,QXF6,QYD,QYF,QZA,QZA5,QZB2,QZB3,QZE,QZE3,QZE4,QZF8,VAF6,VDB2,VDC2,VEP4,VXA1,VXD4,VXD8,VXE1,VXE2,VXE8,VXF,VXF4,VXP2,VZA,VZA2 |
|          |               |   | -         | (1)     | (1)     | -----      |   |

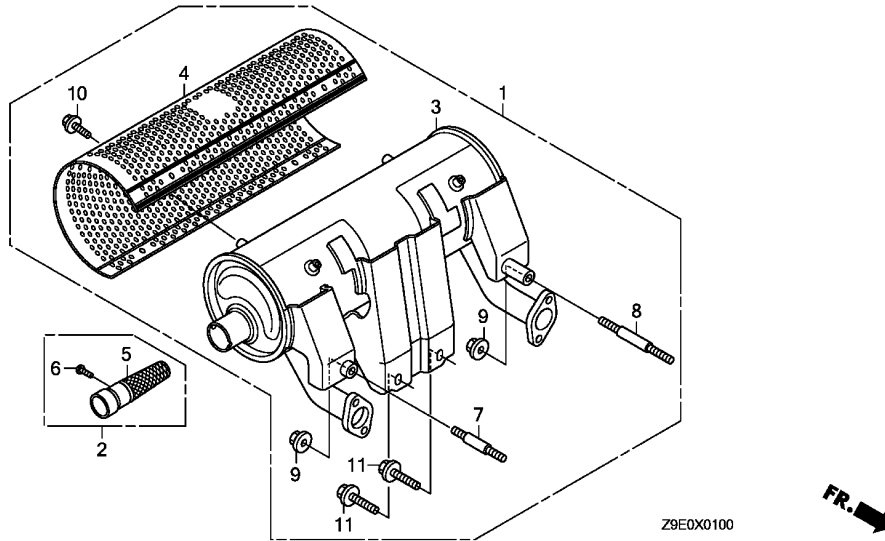






| Ref. No. | L.O.N. | (Relative ref. Number) Description | F.R.T. |
|----------|--------|------------------------------------|--------|
| 1        | 3131C4 | MUFFLER KIT .....                  | 0.4    |
| 3        | 3131C5 | MUFFLER, EXHAUST .....             | 0.2    |
| 5        |        | (2)                                |        |
|          | 3131A1 | ARRESTER, SPARK .....              | 0.1    |
|          |        | .INCLUDES: Spark arrester check    |        |

| Ref. No. | Part No.      | Description                           | Reqd. QTY |         |         | Serial No. | Parts catalogue code  |
|----------|---------------|---------------------------------------|-----------|---------|---------|------------|---|
|          |               |                                       | GX 630R   | GX 660R | GX 690R |            |   |
| 1        | 06183-Z6L-010 | MUFFLER KIT (HIGH-R) .....            | (1)       | -       | -       | -----      | QAB,QAF,QAF1,QAF3,QDF,QDF2,QDW,QWF2,QXA,QXB1,QXC2,QXF,QXF4,QXF5<br>QXF6,QYD,QYF,QZA,QZA5,QZB2,QZB3,QZE,QZE3,QZE4,QZF8,VAF6,VDB2,VDC2<br>VEP4,VXA1,VXD4,VXD8,VXE1,VXE2,VXE8,VXF,VXF4,VXP2,VZA,VZA2 |
| 2        | 06185-Z6L-000 | ARRESTER KIT (HIGH) .....             | (1)       | -       | (1)     | -----      | QAB,QAF,QAF1,QAF3,QDF,QDF2,QDW,QWF2,QXA,QXB1,QXC2,QXF,QXF4,QXF5<br>QXF6,QYD,QYF,QZA,QZA5,QZB2,QZB3,QZE,QZE3,QZE4,QZF8,VAF6,VDB2,VDC2<br>VEP4,VXA1,VXD4,VXD8,VXE1,VXE2,VXE8,VXF,VXF4,VXP2,VZA,VZA2 |
| 3        | 18310-Z6L-003 | MUFFLER COMP. (HIGH-R) .....          | (1)       | -       | (1)     | -----      | QAB,QAF,QAF1,QAF3,QDF,QDF2,QDW,QWF2,QXA,QXB1,QXC2,QXF,QXF4,QXF5<br>QXF6,QYD,QYF,QZA,QZA5,QZB2,QZB3,QZE,QZE3,QZE4,QZF8,VAF6,VDB2,VDC2<br>VEP4,VXA1,VXD4,VXD8,VXE1,VXE2,VXE8,VXF,VXF4,VXP2,VZA,VZA2 |
| 4        | 18321-ZJ1-010 | PROTECTOR, MUFFLER (HIGH)<br>(FUTABA) | (1)       | -       | (1)     | -----      | QAB,QAF,QAF1,QAF3,QDF,QDF2,QDW,QWF2,QXA,QXB1,QXC2,QXF,QXF4,QXF5<br>QXF6,QYD,QYF,QZA,QZA5,QZB2,QZB3,QZE,QZE3,QZE4,QZF8,VAF6,VDB2,VDC2<br>VEP4,VXA1,VXD4,VXD8,VXE1,VXE2,VXE8,VXF,VXF4,VXP2,VZA,VZA2 |
| 5        | 18355-ZJ1-000 | ARRESTER, SPARK .....                 | (1)       | -       | (1)     | -----      | QAB,QAF,QAF1,QAF3,QDF,QDF2,QDW,QWF2,QXA,QXB1,QXC2,QXF,QXF4,QXF5<br>QXF6,QYD,QYF,QZA,QZA5,QZB2,QZB3,QZE,QZE3,QZE4,QZF8,VAF6,VDB2,VDC2<br>VEP4,VXA1,VXD4,VXD8,VXE1,VXE2,VXE8,VXF,VXF4,VXP2,VZA,VZA2 |
| 6        | 93901-250J0   | SCREW, TAPPING, 5X8 .....             | (1)       | -       | -       | -----      | QAB,QAF,QAF1,QAF3,QDF,QDF2,QDW,QWF2,QXA,QXB1,QXC2,QXF,QXF4,QXF5<br>QXF6,QYD,QYF,QZA,QZA5,QZB2,QZB3,QZE,QZE3,QZE4,QZF8,VAF6,VDB2,VDC2<br>VEP4,VXA1,VXD4,VXD8,VXE1,VXE2,VXE8,VXF,VXF4,VXP2,VZA,VZA2 |



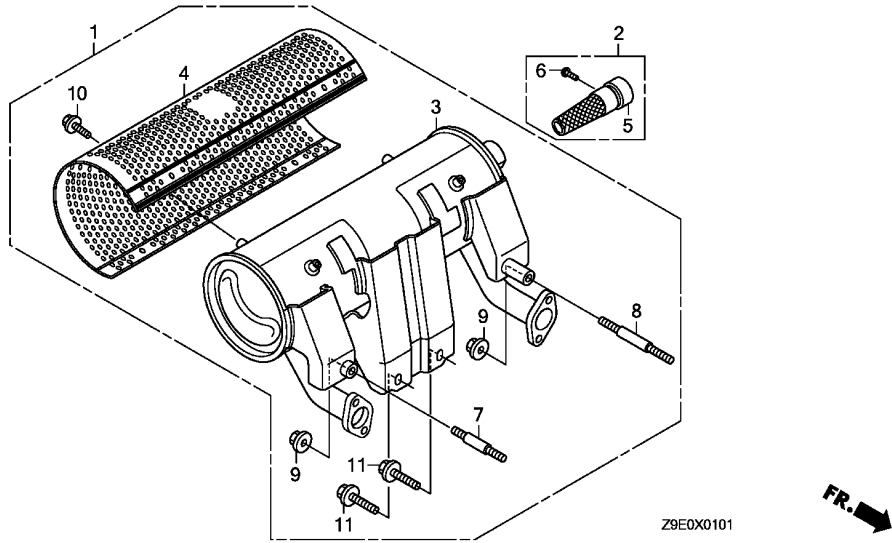
| Ref. No. | Part No.       | Description        | Reqd. QTY |         |         | Serial No. | Parts catalogue code  |
|----------|----------------|--------------------|-----------|---------|---------|------------|---|
|          |                |                    | GX 630R   | GX 660R | GX 690R |            |   |
| 7        | 92900-08045-0B | BOLT, STUD, 8X45   | (1)       | -       | -       | -----      | QAB,QAF,QAF1,QAF3,QDF,QDF2,QDW,QWF2,QXA,QXB1,QXC2,QXF,QXF4,QXF5<br>QXF6,QYD,QYF,QZA,QZA5,QZB2,QZB3,QZE,QZE3,QZE4,QZF8,VAF6,VDB2,VDC2<br>VEP4,VXA1,VXD4,VXD8,VXE1,VXE2,VXE8,VXF,VXF4,VXP2,VZA,VZA2 |
| 8        | 92900-08060-0B | BOLT, STUD, 8X60   | (1)       | (1)     | (1)     | -----      | QAB,QAF,QAF1,QAF3,QDF,QDF2,QDW,QWF2,QXA,QXB1,QXC2,QXF,QXF4,QXF5<br>QXF6,QYD,QYF,QZA,QZA5,QZB2,QZB3,QZE,QZE3,QZE4,QZF8,VAF6,VDB2,VDC2<br>VEP4,VXA1,VXD4,VXD8,VXE1,VXE2,VXE8,VXF,VXF4,VXP2,VZA,VZA2 |
| 9        | 94050-08000    | NUT, FLANGE, 8MM   | (2)       | (1)     | (1)     | -----      | QAB,QAF,QAF1,QAF3,QDF,QDF2,QDW,QWF2,QXA,QXB1,QXC2,QXF,QXF4,QXF5<br>QXF6,QYD,QYF,QZA,QZA5,QZB2,QZB3,QZE,QZE3,QZE4,QZF8,VAF6,VDB2,VDC2<br>VEP4,VXA1,VXD4,VXD8,VXE1,VXE2,VXE8,VXF,VXF4,VXP2,VZA,VZA2 |
| 10       | 95701-06008-00 | BOLT, FLANGE, 6X8  | (6)       | (2)     | (2)     | -----      | QAB,QAF,QAF1,QAF3,QDF,QDF2,QDW,QWF2,QXA,QXB1,QXC2,QXF,QXF4,QXF5<br>QXF6,QYD,QYF,QZA,QZA5,QZB2,QZB3,QZE,QZE3,QZE4,QZF8,VAF6,VDB2,VDC2<br>VEP4,VXA1,VXD4,VXD8,VXE1,VXE2,VXE8,VXF,VXF4,VXP2,VZA,VZA2 |
| 11       | 95701-08020-00 | BOLT, FLANGE, 8X20 | (2)       | (2)     | (2)     | -----      | QAB,QAF,QAF1,QAF3,QDF,QDF2,QDW,QWF2,QXA,QXB1,QXC2,QXF,QXF4,QXF5<br>QXF6,QYD,QYF,QZA,QZA5,QZB2,QZB3,QZE,QZE3,QZE4,QZF8,VAF6,VDB2,VDC2<br>VEP4,VXA1,VXD4,VXD8,VXE1,VXE2,VXE8,VXF,VXF4,VXP2,VZA,VZA2 |



EOP-1-1

MUFFLER KIT(HIGH-L)

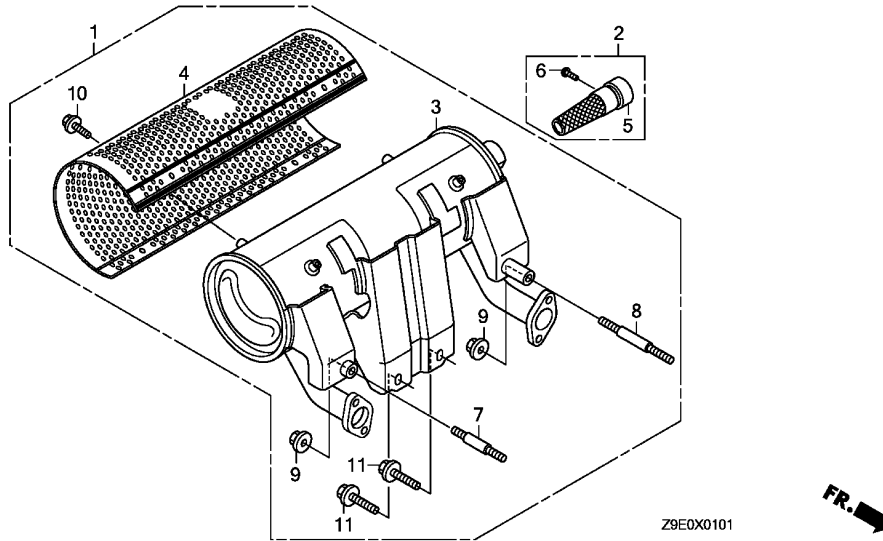
F 5



| Ref. No. | L.O.N. | (Relative ref. Number) Description | F.R.T. |
|----------|--------|------------------------------------|--------|
| 1        | 3131C4 | MUFFLER KIT .....                  | 0.4    |
| 3        | 3131C5 | MUFFLER, EXHAUST .....             | 0.2    |
| 5        |        | (2)                                |        |
|          | 3131A1 | ARRESTER, SPARK .....              | 0.1    |
|          |        | .INCLUDES: Spark arrester check    |        |

| Ref. No. | Part No.      | Description                              | Reqd. QTY |         |         | Serial No. | Parts catalogue code   |
|----------|---------------|--|-----------|---------|---------|------------|--|
|          |               |  | GX 630R   | GX 660R | GX 690R |            |  |
| 1        | 06183-Z6L-801 | MUFFLER KIT (HIGH-L) .....               | (1)       | -       | -       | -----      | QAB, QAF, QAF1, QAF3, QDF, QDF2, QDW, QWF2, QXA, QXB1, QXC2, QXF, QXF4, QXF5, QXF6, QYD, QYF, QZA, QZA5, QZB2, QZB3, QZE, QZE3, QZE4, QZF8, VAF6, VDB2, VDC2, VEP4, VXA1, VXD4, VXD8, VXE1, VXE2, VXE8, VXF, VXF4, VXP2, VZA, VZA2 |
| 2        | 06185-Z6L-000 | ARRESTER KIT (HIGH) .....                | (1)       | -       | (1)     | -----      | QAB, QAF, QAF1, QAF3, QDF, QDF2, QDW, QWF2, QXA, QXB1, QXC2, QXF, QXF4, QXF5, QXF6, QYD, QYF, QZA, QZA5, QZB2, QZB3, QZE, QZE3, QZE4, QZF8, VAF6, VDB2, VDC2, VEP4, VXA1, VXD4, VXD8, VXE1, VXE2, VXE8, VXF, VXF4, VXP2, VZA, VZA2 |
| 3        | 18310-Z6L-801 | MUFFLER COMP. (HIGH-L) .....             | (1)       | -       | (1)     | -----      | QAB, QAF, QAF1, QAF3, QDF, QDF2, QDW, QWF2, QXA, QXB1, QXC2, QXF, QXF4, QXF5, QXF6, QYD, QYF, QZA, QZA5, QZB2, QZB3, QZE, QZE3, QZE4, QZF8, VAF6, VDB2, VDC2, VEP4, VXA1, VXD4, VXD8, VXE1, VXE2, VXE8, VXF, VXF4, VXP2, VZA, VZA2 |
| 4        | 18321-ZJ1-010 | PROTECTOR, MUFFLER (HIGH) (FUTABA) ..... | (1)       | -       | (1)     | -----      | QAB, QAF, QAF1, QAF3, QDF, QDF2, QDW, QWF2, QXA, QXB1, QXC2, QXF, QXF4, QXF5, QXF6, QYD, QYF, QZA, QZA5, QZB2, QZB3, QZE, QZE3, QZE4, QZF8, VAF6, VDB2, VDC2, VEP4, VXA1, VXD4, VXD8, VXE1, VXE2, VXE8, VXF, VXF4, VXP2, VZA, VZA2 |
| 5        | 18355-ZJ1-000 | ARRESTER, SPARK .....                    | (1)       | -       | (1)     | -----      | QAB, QAF, QAF1, QAF3, QDF, QDF2, QDW, QWF2, QXA, QXB1, QXC2, QXF, QXF4, QXF5, QXF6, QYD, QYF, QZA, QZA5, QZB2, QZB3, QZE, QZE3, QZE4, QZF8, VAF6, VDB2, VDC2, VEP4, VXA1, VXD4, VXD8, VXE1, VXE2, VXE8, VXF, VXF4, VXP2, VZA, VZA2 |
| 6        | 93901-250J0   | SCREW, TAPPING, 5X8 .....                | (1)       | -       | (1)     | -----      | QAB, QAF, QAF1, QAF3, QDF, QDF2, QDW, QWF2, QXA, QXB1, QXC2, QXF, QXF4, QXF5, QXF6, QYD, QYF, QZA, QZA5, QZB2, QZB3, QZE, QZE3, QZE4, QZF8, VAF6, VDB2, VDC2, VEP4, VXA1, VXD4, VXD8, VXE1, VXE2, VXE8, VXF, VXF4, VXP2, VZA, VZA2 |

2



Z9E0X0101

| Ref. No. | Part No.       | Description        | Reqd. QTY |         |         | Serial No. | Parts catalogue code  |
|----------|----------------|--------------------|-----------|---------|---------|------------|---|
|          |                |                    | GX 630R   | GX 660R | GX 690R |            |   |
| 7        | 92900-08045-0B | BOLT, STUD, 8X45   | (1)       | -       | -       | -----      | QAB,QAF,QAF1,QAF3,QDF,QDF2,QDW,QWF2,QXA,QXB1,QXC2,QXF,QXF4,QXF5<br>QXF6,QYD,QYF,QZA,QZA5,QZB2,QZB3,QZE,QZE3,QZE4,QZF8,VAF6,VDB2,VDC2<br>VEP4,VXA1,VXD4,VXD8,VXE1,VXE2,VXE8,VXF,VXF4,VXP2,VZA,VZA2 |
| 8        | 92900-08060-0B | BOLT, STUD, 8X60   | (1)       | (1)     | (1)     | -----      | QAB,QAF,QAF1,QAF3,QDF,QDF2,QDW,QWF2,QXA,QXB1,QXC2,QXF,QXF4,QXF5<br>QXF6,QYD,QYF,QZA,QZA5,QZB2,QZB3,QZE,QZE3,QZE4,QZF8,VAF6,VDB2,VDC2<br>VEP4,VXA1,VXD4,VXD8,VXE1,VXE2,VXE8,VXF,VXF4,VXP2,VZA,VZA2 |
| 9        | 94050-08000    | NUT, FLANGE, 8MM   | (2)       | (1)     | (1)     | -----      | QAB,QAF,QAF1,QAF3,QDF,QDF2,QDW,QWF2,QXA,QXB1,QXC2,QXF,QXF4,QXF5<br>QXF6,QYD,QYF,QZA,QZA5,QZB2,QZB3,QZE,QZE3,QZE4,QZF8,VAF6,VDB2,VDC2<br>VEP4,VXA1,VXD4,VXD8,VXE1,VXE2,VXE8,VXF,VXF4,VXP2,VZA,VZA2 |
| 10       | 95701-06008-00 | BOLT, FLANGE, 6X8  | (6)       | (2)     | (2)     | -----      | QAB,QAF,QAF1,QAF3,QDF,QDF2,QDW,QWF2,QXA,QXB1,QXC2,QXF,QXF4,QXF5<br>QXF6,QYD,QYF,QZA,QZA5,QZB2,QZB3,QZE,QZE3,QZE4,QZF8,VAF6,VDB2,VDC2<br>VEP4,VXA1,VXD4,VXD8,VXE1,VXE2,VXE8,VXF,VXF4,VXP2,VZA,VZA2 |
| 11       | 95701-08020-00 | BOLT, FLANGE, 8X20 | (2)       | (2)     | (2)     | -----      | QAB,QAF,QAF1,QAF3,QDF,QDF2,QDW,QWF2,QXA,QXB1,QXC2,QXF,QXF4,QXF5<br>QXF6,QYD,QYF,QZA,QZA5,QZB2,QZB3,QZE,QZE3,QZE4,QZF8,VAF6,VDB2,VDC2<br>VEP4,VXA1,VXD4,VXD8,VXE1,VXE2,VXE8,VXF,VXF4,VXP2,VZA,VZA2 |





# PART NO. INDEX

G 2

| Part Number   | Address | Page | Ref. | Part Number    | Address | Page | Ref. | Part Number    | Address | Page | Ref. | Part Number    | Address | Page | Ref. |
|---------------|---------|------|------|----------------|---------|------|------|----------------|---------|------|------|----------------|---------|------|------|
| 84000         |         |      |      | 90709-Z6L-000  | D3      | 22   | 12   | 94050-08000    | D1      | 20   | 13   | 95701-10040-00 | E9      | 44   | 21   |
| 84601-HA7-670 | D14     | 33   | 9    | 90741-ZE2-000  | D7      | 26   | 6    |                | E3      | 38   | 7    | 96000          |         |      |      |
|               |         |      |      | 90745-ZE2-600  | D7      | 26   | 7    |                | F4      | 55   | 9    |                |         |      |      |
|               |         |      |      | 90802-Z6L-000  | E1      | 36   | 11   |                | F6      | 57   | 9    |                |         |      |      |
| 87000         |         |      |      | 90902-Z6L-000  | D6      | 25   | 24   | 94050-10000    | D1      | 20   | 14   | 96001-06010-00 | E11     | 46   | 25   |
| 87117-Z2E-800 | E14     | 49   | 12   |                |         |      |      | 94070-08080    | E9      | 44   | 20   | 98000          |         |      |      |
| 87501-Z6L-000 | E14     | 49   | 13   | 91000          |         |      |      | 94109-20000    | D4      | 23   | 20   |                |         |      |      |
| 87501-Z6L-800 | E14     | 49   | 13   | 91002-ZG4-801  | E9      | 44   | 19   | 94251-10000    | D4      | 23   | 21   |                |         |      |      |
| 87502-Z6L-000 | E14     | 49   | 14   | 91201-Z6L-003  | D3      | 22   | 13   | 94540-05018    | E11     | 46   | 20   | 98079-5587G    | D1      | 20   | 18   |
| 87502-Z6L-800 | E14     | 49   | 14   | 91202-Z6L-003  | D6      | 25   | 25   |                | E16     | 51   | 14   | 98200-43000    | E14     | 49   | 26   |
| 87506-Z6L-000 | E14     | 49   | 15   | 91203-Z6L-003  | D3      | 22   | 14   |                | F1      | 52   | 15   |                |         |      |      |
| 87516-ZH7-010 | E15     | 50   | 1    | 91301-Z6L-003  | D6      | 25   | 26   | 95000          |         |      |      | 99000          |         |      |      |
|               | F2      | 53   | 1    | 91302-Z6L-003  | D6      | 25   | 27   |                |         |      |      | 99004-16170    | E15     | 50   | 4    |
| 87516-ZH7-801 | F2      | 53   | 2    | 91308-PH9-000  | D6      | 25   | 28   | 95002-02080    | D16     | 35   | 25   | 99101-ZH8-0900 | D16     | 35   | 26   |
| 87519-ZH7-000 | E15     | 50   | 1    | 91308-Z6L-003  | D3      | 22   | 15   | 95002-40800-08 | F1      | 52   | 16   | 99101-ZH8-0920 | D16     | 35   | 27   |
|               | F2      | 53   | 3    |                | D6      | 25   | 29   | 95002-40850-08 | F1      | 52   | 17   | 99101-ZH8-0950 | D16     | 35   | 26   |
| 87521-Z6L-000 | E15     | 50   | 2    | 91309-Z6L-000  | D4      | 23   | 16   | 95002-41000-08 | E5      | 40   | 13   | 99101-ZH8-0980 | D16     | 35   | 27   |
| 87521-Z6N-000 | E15     | 50   | 2    | 91508-GN2-000  | E14     | 49   | 22   | 95002-41050-08 | F1      | 52   | 18   | 99101-ZH8-1000 | D16     | 35   | 26   |
| 87521-Z8N-000 | E15     | 50   | 2    | 91565-SEL-003  | E14     | 49   | 23   | 95002-41200-08 | E5      | 40   | 14   | 99101-ZH8-1020 | D16     | 35   | 26   |
| 87531-Z6L-000 | E15     | 50   | 3    | 91601-Z6L-000  | E7      | 42   | 13   | 95002-70000    | E5      | 40   | 15   | 99101-ZH8-1050 | D16     | 35   | 26   |
| 87532-ZH7-800 | F2      | 53   | 4    |                |         |      |      | 95701-06008-00 | E2      | 37   | 8    |                |         |      |      |
| 87539-Z0J-000 | F2      | 53   | 5    | 92000          |         |      |      |                | E3      | 38   | 8    | 99101-ZH8-1100 | D16     | 35   | 26   |
| 87539-Z0J-800 | F2      | 53   | 6    |                |         |      |      |                | E8      | 43   | 14   |                |         |      |      |
| 87539-Z0J-810 | F2      | 53   | 7    | 92301-04006-0H | E11     | 46   | 15   |                | F4      | 55   | 10   | 99101-ZH8-1120 | D16     | 35   | 26   |
|               |         |      |      |                | E16     | 51   | 12   |                | F6      | 57   | 10   |                |         |      |      |
| 90000         |         |      |      |                |         |      |      |                |         |      |      |                |         |      |      |
| 90001-Z6L-000 | D8      | 27   | 6    | 92301-05016-0A | E11     | 46   | 16   | 95701-06010-00 | E11     | 46   | 21   | 99101-ZH8-1180 | D16     | 35   | 26   |
| 90002-ZG5-004 | D3      | 22   | 10   | 92800-20000    | D4      | 23   | 17   | 95701-06012-00 | E2      | 37   | 9    |                |         |      |      |
|               | D6      | 25   | 19   | 92900-08022-0E | D1      | 20   | 12   |                | E5      | 40   | 16   | 99204-ZE2-0400 | D16     | 35   | 28   |
| 90003-Z6L-000 | D16     | 35   | 23   | 92900-08045-0B | E3      | 38   | 5    |                | E8      | 43   | 15   | 99204-ZE2-0450 | D16     | 35   | 28   |
| 90005-Z6L-000 | D14     | 33   | 10   |                | F4      | 55   | 7    | 95701-06014-00 | D4      | 23   | 22   |                |         |      |      |
| 90011-Z0H-811 | E14     | 49   | 16   | 92900-08060-0B | F6      | 57   | 7    |                | E5      | 40   | 17   |                |         |      |      |
| 90012-Z6L-000 | D9      | 28   | 15   |                | E3      | 38   | 6    |                | E8      | 43   | 16   |                |         |      |      |
| 90015-ZE3-790 | E11     | 46   | 14   |                | F4      | 55   | 8    |                | E11     | 46   | 22   |                |         |      |      |
| 90101-SP1-003 | E14     | 49   | 17   | 92900-10040-0B | F6      | 57   | 8    |                | E12     | 47   | 5    |                |         |      |      |
| 90131-S0X-A00 | E6      | 41   | 9    |                | D4      | 23   | 18   | 95701-06016-00 | D4      | 23   | 23   |                |         |      |      |
| 90201-Z6L-000 | E6      | 41   | 4    |                |         |      |      |                | D14     | 33   | 13   |                |         |      |      |
| 90202-ZJ1-840 | E12     | 47   | 4    | 93000          |         |      |      |                | E1      | 36   | 13   |                |         |      |      |
| 90206-Z6L-000 | D9      | 28   | 16   |                |         |      |      |                | D6      | 25   | 30   |                |         |      |      |
| 90325-044-000 | E1      | 36   | 10   | 93500-03008-0A | D4      | 23   | 19   | 95701-06018-00 | D14     | 33   | 14   |                |         |      |      |
| 90380-GM9-740 | D14     | 33   | 11   | 93500-04008-4J | E2      | 37   | 7    | 95701-06020-00 | D14     | 33   | 14   |                |         |      |      |
| 90380-MB2-000 | E14     | 49   | 18   | 93500-04012-1H | D16     | 35   | 24   | 95701-06022-00 | D9      | 28   | 19   |                |         |      |      |
| 90402-Z6L-000 | D7      | 26   | 5    | 93500-05030-0A | E11     | 46   | 17   | 95701-06028-00 | D6      | 25   | 31   |                |         |      |      |
| 90403-Z6L-000 | D6      | 25   | 20   | 93500-05040-0A | E11     | 46   | 18   | 95701-06030-00 | D1      | 20   | 15   |                |         |      |      |
| 90404-Z6L-000 | D3      | 22   | 11   | 93500-05045-0A | E11     | 46   | 17   |                | E8      | 43   | 17   |                |         |      |      |
| 90551-ZE1-000 | D8      | 27   | 7    | 93892-05010-18 | D16     | 35   | 31   | 95701-06032-00 | E8      | 43   | 18   |                |         |      |      |
| 90601-Z6L-000 | E14     | 49   | 19   | 93893-05008-07 | E14     | 49   | 24   | 95701-06035-00 | D6      | 25   | 32   |                |         |      |      |
| 90602-ZE1-000 | D6      | 25   | 21   | 93894-06016-00 | E5      | 40   | 12   | 95701-06050-00 | D1      | 20   | 16   |                |         |      |      |
|               | D9      | 28   | 17   | 93901-250J0    | E3      | 38   | 4    | 95701-06090-00 | D6      | 25   | 33   |                |         |      |      |
| 90650-KV6-003 | E7      | 42   | 11   |                | F3      | 54   | 6    | 95701-08016-00 | D1      | 20   | 17   |                |         |      |      |
| 90672-SB2-003 | E14     | 49   | 20   | 93913-25310    | F5      | 56   | 6    | 95701-08018-00 | E6      | 41   | 10   |                |         |      |      |
| 90681-763-A01 | E14     | 49   | 21   | 93913-25580    | E14     | 49   | 25   | 95701-08020-00 | E2      | 37   | 10   |                |         |      |      |
| 90705-Z6L-000 | D8      | 27   | 8    |                | D14     | 33   | 12   |                | E3      | 38   | 9    |                |         |      |      |
| 90707-Z6L-000 | D6      | 25   | 22   | 94000          |         |      |      |                | F4      | 55   | 11   |                |         |      |      |
| 90708-Z6L-000 | D9      | 28   | 18   |                |         |      |      |                | F6      | 57   | 11   |                |         |      |      |
|               | D6      | 25   | 23   | 94050-06000    | E1      | 36   | 12   | 95701-08030-00 | E2      | 37   | 11   |                |         |      |      |
|               |         |      |      |                | E11     | 46   | 19   | 95701-08045-00 | D6      | 25   | 34   |                |         |      |      |
|               |         |      |      |                |         |      |      | 95701-08050-00 | E6      | 41   | 11   |                |         |      |      |
|               |         |      |      |                |         |      |      | 95701-08060-00 | E2      | 37   | 12   |                |         |      |      |





# PART NAME INDEX

| Part name                       | Address | Page | Ref. | Part name                       | Address | Page | Ref. | Part name                        | Address | Page | Ref. |
|---------------------------------|---------|------|------|---------------------------------|---------|------|------|----------------------------------|---------|------|------|
| GEAR COMP., OIL PUMP .....      | D5      | 24   | 3    | MARK, ENGINE SWITCH .....       | E14     | 49   | 13   | PACKING, OIL PASS .....          | D6      | 25   | 29   |
| GOVERNOR ASSY. ....             | D5      | 24   | 13   | MARK, EX. CAUTION .....         | F2      | 53   | 5    | PANEL, CONTROL .....             | E13     | 48   | 7    |
| GRID, SCREEN .....              | E6      | 41   | 7    |                                 |         |      |      | PIN, GOVERNOR WEIGHT .....       | D5      | 24   | 16   |
| GROMMET, AIR CLEANER .....      | E1      | 36   | 5    |                                 |         |      |      | PIN, LOCK, 10MM .....            | D4      | 23   | 21   |
| GROMMET, CONTROL BOX .....      | E14     | 49   | 19   | MARK, HOLE COVER .....          | E14     | 49   | 15   | PIN, PISTON .....                | D8      | 27   | 3    |
| GROMMET, CORD .....             | E7      | 42   | 13   | MARK, HONDA .....               | E15     | 50   | 3    | PIPE COMP., EX. ....             | E2      | 37   | 4    |
|                                 |         |      |      | MARK, OPERATOR CAUTION .....    | E15     | 50   | 1    | PIPE COMP., OIL LEVEL .....      | D5      | 24   | 12   |
| [ H ]                           |         |      |      |                                 | F2      | 53   | 1    | PISTON .....                     | D8      | 27   | 2    |
| HANGER, ENGINE .....            | D1      | 20   | 1    |                                 |         |      |      | PLATE .....                      | D16     | 35   | 30   |
| HARNESS ASSY., ENGINE WIRE ...  | E7      | 42   | 6    | MARK, THROTTLE INDICATION ..... | F2      | 53   | 4    | PLATE, COOLING FAN SETTING ..... | E6      | 41   | 2    |
|                                 |         |      |      | MARK, THROTTLE SWITCH .....     | E14     | 49   | 14   | PLATE, SOLENOID .....            | E12     | 47   | 2    |
| HARNESS ASSY., REGULATOR        |         |      |      | METER ASSY., HOUR .....         | E14     | 49   | 11   | PLATE, STOPPER .....             | D3      | 22   | 6    |
| RECTIFIER                       | E7      | 42   | 10   | MOTOR ASSY., STARTER .....      | E9      | 44   | 3    | PLUG, OUTER CONNECTOR .....      | E16     | 51   | 11   |
| HARNESS ASSY., SUB WIRE .....   | E16     | 51   | 10   | MUFFLER COMP. ....              | E2      | 37   | 1    | PLUG, SPARK .....                | D1      | 20   | 18   |
| HEAD COMP., CYLINDER .....      | D1      | 20   | 2    |                                 |         |      |      | PROTECTOR, FAN COVER .....       | D14     | 33   | 4    |
|                                 |         |      |      |                                 | E3      | 38   | 1    |                                  |         |      |      |
|                                 |         |      |      |                                 | F3      | 54   | 3    | PROTECTOR, MUFFLER .....         | E2      | 37   | 2    |
| HOLDER, BRUSH .....             | E9      | 44   | 16   |                                 | F5      | 56   | 3    |                                  |         |      |      |
| HOLDER, CABLE .....             | E10     | 45   | 9    | MUFFLER KIT .....               | F3      | 54   | 1    |                                  | E3      | 38   | 2    |
|                                 | E11     | 46   | 13   |                                 | F5      | 56   | 1    |                                  | F3      | 54   | 4    |
|                                 | E16     | 51   | 2    |                                 |         |      |      |                                  | F5      | 56   | 4    |
| HOLDER, GOVERNOR WEIGHT .....   | D5      | 24   | 15   | [ N ]                           |         |      |      | PUMP ASSY., FUEL .....           | E4      | 39   | 1    |
| HOLDER, OIL FILTER .....        | D5      | 24   | 9    |                                 |         |      |      |                                  | E16     | 51   | 3    |
| HOLDER, SCREEN GRID .....       | E6      | 41   | 8    | NOZZLE, MAIN .....              | D15     | 34   | 12   |                                  |         |      |      |
| HOLDER, WIRE .....              | E16     | 51   | 1    | NUT-WASHER, 8MM .....           | E9      | 44   | 20   | [ R ]                            |         |      |      |
| HOSE, FUEL .....                | E16     | 51   | 7    | NUT, FENDER SETTING .....       | D14     | 33   | 9    | RECTIFIER ASSY., REGULATOR ..... | E16     | 51   | 9    |
| HOUSING COMP., DRIVE SIDE ....  | E9      | 44   | 7    | NUT, FLANGE, 10MM .....         | D1      | 20   | 14   | RECTIFIER COMP., REGULATOR ..... | E7      | 42   | 5    |
|                                 |         |      |      | NUT, FLANGE, 6MM .....          | E1      | 36   | 12   | RETAINER, IN. VALVE SPRING ..... | D9      | 28   | 14   |
|                                 |         |      |      |                                 | E11     | 46   | 19   | RING SET, PISTON .....           | D8      | 27   | 1    |
| [ I ]                           |         |      |      | NUT, FLANGE, 8MM .....          | D1      | 20   | 13   | RING, SNAP .....                 | E9      | 44   | 1    |
| INSULATOR, BRUSH HOLDER .....   | E9      | 44   | 17   |                                 | E3      | 38   | 7    | ROD ASSY., CONNECTING .....      | D8      | 27   | 4    |
| INSULATOR, CARBURETOR .....     | D15     | 34   | 16   |                                 | F4      | 55   | 9    | ROD COMP., PUSH .....            | D9      | 28   | 3    |
|                                 |         |      |      |                                 | F6      | 57   | 9    | ROD, CHOKE CONTROL .....         | E10     | 45   | 12   |
|                                 |         |      |      | NUT, HEX. ....                  | E9      | 44   | 15   | ROD, GOVERNOR .....              | E10     | 45   | 6    |
|                                 |         |      |      | NUT, HEX., 8MM .....            | E9      | 44   | 14   | ROTOR, OIL PUMP OUTER .....      | D5      | 24   | 2    |
| JET SET, PILOT, .....           | D16     | 35   | 28   | NUT, SPECIAL .....              | E6      | 41   | 4    | RUBBER, FUEL PUMP MOUNTING ..... | E16     | 51   | 4    |
| JET, MAIN, .....                | D16     | 35   | 26   | NUT, SPECIAL CAP .....          | E12     | 47   | 4    | RUBBER, RR. FENDER .....         | E4      | 39   | 11   |
|                                 |         |      |      | NUT, TAPPET ADJUSTING .....     | D9      | 28   | 16   |                                  |         |      |      |
| JOINT, FUEL RETURN .....        | E4      | 39   | 9    | NUT, TOOL BOX SETTING .....     | E1      | 36   | 10   |                                  |         |      |      |
| JOINT, FUEL TUBE .....          | E16     | 51   | 6    |                                 |         |      |      | [ S ]                            |         |      |      |
| JOINT, ROD .....                | E10     | 45   | 1    |                                 |         |      |      | SCREEN, FUEL STRAINER .....      | D15     | 34   | 13   |
|                                 |         |      |      |                                 |         |      |      | SCREW-WASHER, 4X8 .....          | D3      | 22   | 10   |
|                                 |         |      |      |                                 |         |      |      |                                  | D6      | 25   | 19   |
| [ K ]                           |         |      |      |                                 |         |      |      | SCREW-WASHER, 5X10 .....         | D16     | 35   | 31   |
| KEY, 6.3X6.3X43 .....           | D7      | 26   | 7    | OIL SEAL, 10X16X5 .....         | D3      | 22   | 14   | SCREW-WASHER, 5X8 .....          | E14     | 49   | 24   |
| KEY, SPECIAL WOODRUFF, 25X18 .. | D7      | 26   | 6    | OIL SEAL, 38X58X9 .....         | D3      | 22   | 13   | SCREW-WASHER, 6X16 .....         | E5      | 40   | 12   |
| KNOB, AIR CLEANER COVER .....   | E1      | 36   | 6    |                                 | D6      | 25   | 25   | SCREW SET .....                  | D15     | 34   | 5    |
| KNOB, CHOKE .....               | E13     | 48   | 4    | O-RING, 14.8X2.4 .....          | D6      | 25   | 26   | SCREW SET, DRAIN .....           | D15     | 34   | 6    |
|                                 |         |      |      | O-RING, 37.9X2.4 .....          | D4      | 23   | 16   | SCREW, FLOAT .....               | D16     | 35   | 29   |
|                                 |         |      |      | O-RING, 8.8X1.9 .....           | D6      | 25   | 28   | SCREW, PAN, 3X8 .....            | D4      | 23   | 19   |
|                                 |         |      |      | O-RING, OIL PUMP .....          | D6      | 25   | 27   | SCREW, PAN, 4X12 .....           | D16     | 35   | 24   |
|                                 |         |      |      |                                 |         |      |      | SCREW, PAN, 4X8 .....            | E2      | 37   | 7    |
| [ L ]                           |         |      |      |                                 |         |      |      | SCREW, PAN, 5X10.5 .....         | E14     | 49   | 22   |
| LABEL, FUSE .....               | E14     | 49   | 12   | [ P ]                           |         |      |      | SCREW, PAN, 5X30 .....           | E11     | 46   | 17   |
| LEVER ASSY., THROTTLE .....     | E13     | 48   | 1    | PACKING, AIR CLEANER .....      | D16     | 35   | 19   | SCREW, PAN, 5X40 .....           | E11     | 46   | 18   |
| LEVER, PINION DRIVE .....       | E9      | 44   | 4    | PACKING, AIR CLEANER CASE ..... | E1      | 36   | 8    | SCREW, PAN, 5X45 .....           | E11     | 46   | 17   |
| LIFTER ASSY., VALVE .....       | D9      | 28   | 9    | PACKING, CARBURETOR .....       | D16     | 35   | 18   | SCREW, SPECIAL, 4X10 .....       | D14     | 33   | 10   |
|                                 |         |      |      | PACKING, HEAD COVER .....       | D1      | 20   | 6    | SCREW, SPECIAL, 6X15 .....       | D14     | 33   | 11   |
|                                 |         |      |      | PACKING, INTAKE MANIFOLD .....  | D1      | 20   | 11   |                                  |         |      |      |
|                                 |         |      |      | PACKING, OIL FILLER CAP .....   | D1      | 20   | 8    |                                  |         |      |      |
| [ M ]                           |         |      |      | PACKING, OIL PASS .....         | D3      | 22   | 15   |                                  |         |      |      |
| MANIFOLD, INTAKE .....          | D1      | 20   | 10   |                                 |         |      |      |                                  |         |      |      |





# PART NAME INDEX

| Part name                            | Address | Page | Ref. | Part name                       | Address | Page | Ref. | Part name | Address | Page | Ref. |
|--------------------------------------|---------|------|------|---------------------------------|---------|------|------|-----------|---------|------|------|
| SCREW, SPECIAL, 6X8 .....            | E14     | 49   | 18   | [ V ]                           |         |      |      |           |         |      |      |
| SCREW, TAPPET ADJUSTING .....        | D9      | 28   | 15   | VALVE ASSY., SOLENOID .....     | D15     | 34   | 15   |           |         |      |      |
| SCREW, TAPPING, 3X8 .....            | E14     | 49   | 17   | VALVE COMP., FLOAT .....        | D15     | 34   | 11   |           |         |      |      |
| SCREW, TAPPING, 5X14 .....           | E14     | 49   | 25   | VALVE, EX. ....                 | D9      | 28   | 8    |           |         |      |      |
| SCREW, TAPPING, 5X20 .....           | D14     | 33   | 12   | VALVE, IN. ....                 | D9      | 28   | 7    |           |         |      |      |
| SCREW, TAPPING, 5X8 .....            | E3      | 38   | 4    | VALVE, OIL OUTLET .....         | D3      | 22   | 5    |           |         |      |      |
|                                      | F3      | 54   | 6    | [ W ]                           |         |      |      |           |         |      |      |
|                                      | F5      | 56   | 6    | WASHER, 6X16 .....              | D6      | 25   | 20   |           |         |      |      |
| SCREW, THROTTLE STOP .....           | D15     | 34   | 8    | WASHER, CRANKSHAFT THRUST ..... | D7      | 26   | 5    |           |         |      |      |
| SCREW, TRUSS, 6X16 .....             | E6      | 41   | 9    | WASHER, DRAIN PLUG, 20MM .....  | D4      | 23   | 20   |           |         |      |      |
| SEAL, AIR CLEANER CASE .....         | D16     | 35   | 20   | WASHER, PLAIN .....             | D3      | 22   | 11   |           |         |      |      |
| SEAL, VALVE STEM .....               | D9      | 28   | 1    | WEIGHT, GOVERNOR .....          | D5      | 24   | 14   |           |         |      |      |
| SHAFT COMP., VALVE LIFTER .....      | D9      | 28   | 10   | WRENCH, BOX .....               | E15     | 50   | 4    |           |         |      |      |
| SHAFT, FR. P.T.O. ....               | E6      | 41   | 6    | [ Y ]                           |         |      |      |           |         |      |      |
| SHAFT, GOVERNOR ARM .....            | D3      | 22   | 7    | YOKE COMP. ....                 | E9      | 44   | 12   |           |         |      |      |
| SHAFT, ROCKER ARM .....              | D9      | 28   | 5    |                                 |         |      |      |           |         |      |      |
| SHROUD, L. LOWER .....               | D14     | 33   | 8    |                                 |         |      |      |           |         |      |      |
| SHROUD, R. LOWER .....               | D14     | 33   | 7    |                                 |         |      |      |           |         |      |      |
| SHROUD, UPPER .....                  | D14     | 33   | 6    |                                 |         |      |      |           |         |      |      |
| SLIDER, GOVERNOR .....               | D6      | 25   | 17   |                                 |         |      |      |           |         |      |      |
| SOLENOID ASSY., ROTARY .....         | E12     | 47   | 3    |                                 |         |      |      |           |         |      |      |
| SPRING, AIR CLEANER CASE COVER ..... | E1      | 36   | 7    |                                 |         |      |      |           |         |      |      |
| SPRING, BRUSH .....                  | E9      | 44   | 9    |                                 |         |      |      |           |         |      |      |
| SPRING, CABLE RETURN .....           | E10     | 45   | 11   |                                 |         |      |      |           |         |      |      |
| SPRING, CONTROL ADJUSTING .....      | E10     | 45   | 10   |                                 |         |      |      |           |         |      |      |
| SPRING, GOVERNOR .....               | E10     | 45   | 7    |                                 |         |      |      |           |         |      |      |
| SPRING, RELIEF VALVE .....           | D5      | 24   | 5    |                                 |         |      |      |           |         |      |      |
| SPRING, RETURN .....                 | E11     | 46   | 24   |                                 |         |      |      |           |         |      |      |
| SPRING, STARTER .....                | E10     | 45   | 3    |                                 |         |      |      |           |         |      |      |
| SPRING, THROTTLE RETURN .....        | E10     | 45   | 8    |                                 |         |      |      |           |         |      |      |
| SPRING, VALVE .....                  | D9      | 28   | 11   |                                 |         |      |      |           |         |      |      |
| SPRING, VALVE LIFTER .....           | D9      | 28   | 13   |                                 |         |      |      |           |         |      |      |
| SPRING, WEIGHT RETURN .....          | D9      | 28   | 6    |                                 |         |      |      |           |         |      |      |
| STAY COMP., AIR CLEANER              |         |      |      |                                 |         |      |      |           |         |      |      |
| ELEMENT                              | E1      | 36   | 3    |                                 |         |      |      |           |         |      |      |
| STAY, FUEL PUMP .....                | E4      | 39   | 2    |                                 |         |      |      |           |         |      |      |
| STAY, FUEL TUBE GROMMET .....        | D1      | 20   | 9    |                                 |         |      |      |           |         |      |      |
| STAY, MUFFLER .....                  | E2      | 37   | 5    |                                 |         |      |      |           |         |      |      |
| STAY, SOLENOID .....                 | E12     | 47   | 1    |                                 |         |      |      |           |         |      |      |
| STRAINER COMP., FUEL .....           | E4      | 39   | 8    |                                 |         |      |      |           |         |      |      |
| STRAINER COMP., OIL .....            | D5      | 24   | 4    |                                 |         |      |      |           |         |      |      |
| STRAP, CABLE, 105MM .....            | E7      | 42   | 12   |                                 |         |      |      |           |         |      |      |
| SWITCH ASSY., COMBINATION .....      | E13     | 48   | 9    |                                 |         |      |      |           |         |      |      |
| SWITCH ASSY., MAGNET .....           | E9      | 44   | 5    |                                 |         |      |      |           |         |      |      |
| SWITCH ASSY., OIL LEVEL .....        | D3      | 22   | 8    |                                 |         |      |      |           |         |      |      |
| SWITCH, OIL PRESSURE .....           | D3      | 22   | 9    |                                 |         |      |      |           |         |      |      |
|                                      | D6      | 25   | 18   |                                 |         |      |      |           |         |      |      |
| [ T ]                                |         |      |      |                                 |         |      |      |           |         |      |      |
| TUBE COMP. A, FUEL .....             | E4      | 39   | 3    |                                 |         |      |      |           |         |      |      |
| TUBE COMP. B, FUEL .....             | E4      | 39   | 4    |                                 |         |      |      |           |         |      |      |
|                                      |         |      | 5    |                                 |         |      |      |           |         |      |      |
| TUBE, BREATHER .....                 | D15     | 34   | 1    |                                 |         |      |      |           |         |      |      |
| TUBE, DIAPHRAGM .....                | E4      | 39   | 7    |                                 |         |      |      |           |         |      |      |
| TUBE, DRAIN .....                    | D15     | 34   | 14   |                                 |         |      |      |           |         |      |      |
| TUBE, FUEL SPECIAL .....             | E16     | 51   | 7    |                                 |         |      |      |           |         |      |      |
| TUBE, PURGE .....                    | E4      | 39   | 6    |                                 |         |      |      |           |         |      |      |



---

**1**

**FOREWORD INDEX**

---

**2**

**ENGINE GROUP**

---

**3**

**PART NUMBER INDEX**

---

**4**

**PART NAME INDEX**

---

**HONDA**  
The Power of Dreams



# PARTS CATALOGUE NEWS

Honda Motor Co., Ltd. Service Division

## PARTS CATALOGUE - CORRECTED

Printed in Japan

|                      |                            |
|----------------------|----------------------------|
| CODE NO.             | 13Z9EA01                   |
| PARTS CATALOGUE NEWS | GX630R<br>GX660R<br>GX690R |
| NEWS NO.             | 001                        |

| Block No. | Ref. No. | Note | Part No.        | Description                         | Reqd. QTY |         |         | Serial No. | Parts catalogue code   |
|-----------|----------|------|-----------------|-------------------------------------|-----------|---------|---------|------------|--|
|           |          |      |                 |                                     | GX 630R   | GX 660R | GX 690R |            |  |
| E-12      | 2        | D    | 19610-Z6L-000ZB | COVER COMP., FAN<br>*NH1*.....BLACK | 1         | 1       | 1       | -----      | BAF, BDW, BXF, BXF5, QAB, QAF, QAF1, QAF3, QDF, QDF2, QDW, QWF2, QXA, QXB1, QXC2, QXF, QXF4, QXF6, QYD, QYF, QZA, QZB, QZE, QZE3, QZE4, TAF, TDW, TXA2, TXF, TXF4, TXF5, TXF7, TXF9, VAF6, VD, VDB2, VXA1, VXD, VXD4, VXD8, VXE1, VXE4, VXE8, VXF, VXF4, VXP2, VZA, VZA2 |

NOTE A:PART NO. CHANGE D:NEWLY PROVIDED E:PART NO.DELETION K:REQUIRED NO. CORRECTION L:APPLICATION SERIAL NO. CORRECTION  
T:APPLICATION CORRECTION Z:REMARKS CHANGE



# PARTS CATALOGUE NEWS

Honda Motor Co., Ltd. Service Division

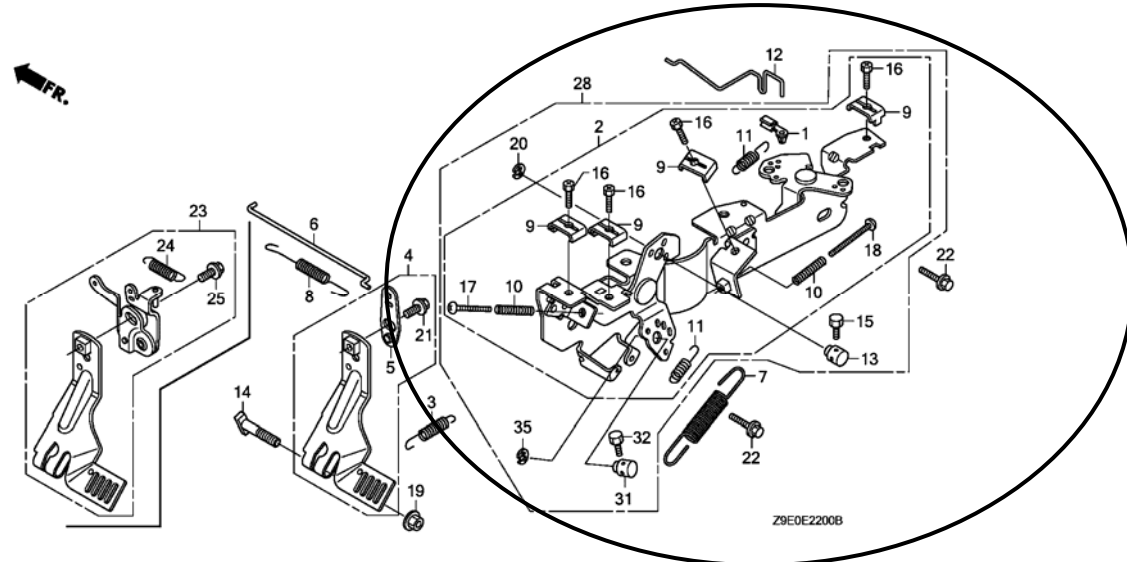
## PARTS CATALOGUE - CORRECTED

Printed in Japan

|                      |                            |
|----------------------|----------------------------|
| CODE NO.             | 13Z9EA01                   |
| PARTS CATALOGUE NEWS | GX630R<br>GX660R<br>GX690R |
| NEWS NO.             | 002                        |

| Block No. | Ref. No. | Note | Part No.      | Description                    | Reqd. QTY |         |         | Serial No. | Parts catalogue code |
|-----------|----------|------|---------------|--------------------------------|-----------|---------|---------|------------|----------------------|
|           |          |      |               |                                | GX 630R   | GX 660R | GX 690R |            |                      |
| E-15      | 1        | E    | 17210-Z6L-000 | *PARTS NO. DELETION            |           |         |         |            |                      |
|           |          | D    | 17210-Z6L-010 | ELEMENT COMP., AIR CLEANER ... | 1         | 1       | 1       |            |                      |

### E-22 CONTROL



NOTE A:PART NO. CHANGE D:NEWLY PROVIDED E:PART NO.DELETION K:REQUIRED NO. CORRECTION L:APPLICATION SERIAL NO. CORRECTION  
T:APPLICATION CORRECTION Z:REMARKS CHANGE

PARTS CATALOGUE NEWS

BOOKNo. : 13Z9EA01

| Block No. | Ref. No. | Note | Part No.      | Description         | Reqd. QTY |                |                           | Serial No.                | Parts catalogue code  |                 |         |         |   |
|-----------|----------|------|---------------|---------------------|-----------|----------------|---------------------------|---------------------------|---|-----------------|---------|---------|---|
|           |          |      |               |                     | GX 630R   | GX 660R        | GX 690R                   |                           |   |                 |         |         |   |
| E-22      | 13       | T    | 16617-Z6L-000 | HOLDER, CABLE ..... | 1         | 1              | 1                         | -----                     | BAF, BXF, QAF1, QDF, QXC2, QXF4, QXF6, QZA5, QZB, QZB2, QZB3<br>QZE, QZE4, QZF8, TAF, TXA2, TXF, TXF4, TXF7, VEP4, VXA1, VXF, VZA |                 |         |         |   |
|           |          |      |               |                     | 1         | -              | -                         | 1000805                   | -----   | QXF, QXF5, QZE3 |         |         |   |
|           |          |      |               |                     | -         | 1              | -                         | 1000339                   | -----   | BXF5, TXF5      |         |         |   |
|           |          |      |               |                     | -         | -              | 1                         | 1000443                   | -----   | BXF5, TXF5      |         |         |   |
|           |          |      |               |                     | 15        | T              | 92301-04006-0H            | BOLT, RECESSED, 4X6 ..... | 1   | 1               | 1       | -----   | BAF, BXF, QAF1, QDF, QXC2, QXF4, QXF6, QZA5, QZB, QZB2, QZB3<br>QZE, QZE4, QZF8, TAF, TXA2, TXF, TXF4, TXF7, VEP4, VXA1, VXF, VZA |
|           |          |      |               |                     |           |                |                           |                           | 1   | -               | -       | 1000805 | -----   |
|           | -        | 1    | -             | 1000339             |           |                |                           |                           | -----   | BXF5, TXF5      |         |         |   |
|           | -        | -    | 1             | 1000443             |           |                |                           |                           | -----   | BXF5, TXF5      |         |         |   |
|           | 20       | T    | 94540-05018   | E-RING, 5MM .....   |           |                |                           |                           | 1   | 1               | 1       | -----   | BAF, BXF, QAF1, QDF, QXC2, QXF4, QXF6, QZA5, QZB, QZB2, QZB3<br>QZE, QZE4, QZF8, TAF, TXA2, TXF, TXF4, TXF7, VEP4, VXA1, VXF, VZA |
|           |          |      |               |                     |           |                |                           |                           | 1   | -               | -       | 1000805 | -----   |
|           |          |      |               |                     | -         | 1              | -                         | 1000339                   | -----   | BXF5, TXF5      |         |         |   |
|           |          |      |               |                     | -         | -              | 1                         | 1000443                   | -----   | BXF5, TXF5      |         |         |   |
| 28        |          |      |               |                     | D         | 16500-Z6L-830  | CONTROL ASSY. ....        | 1                         | -   | -               | 1000805 | -----   | QAF1, QDF, QXC2, QXF, QXF4, QXF5, QXF6, QZA5, QZB, QZB2, QZB3<br>QZE, QZE4, QZF8, VEP4, VXA1, VXF, VZA                            |
|           |          |      |               |                     |           |                |                           | -                         | 1   | -               | 1000339 | -----   | BAF, BXF, BXF5, TAF, TXA2, TXF, TXF4, TXF5, TXF7  |
|           | -        | -    | 1             | 1000443             |           |                |                           | -----                     | BAF, BXF, BXF5, TAF, TXA2, TXF, TXF4, TXF5, TXF7  |                 |         |         |   |
|           | 31       | D    | 16617-Z6L-000 | HOLDER, CABLE ..... |           |                |                           | 1                         | -   | -               | 1000805 | -----   | QAF1, QDF, QXC2, QXF, QXF4, QXF5, QXF6, QZA5, QZB, QZB2, QZB3<br>QZE, QZE4, QZF8, VEP4, VXA1, VXF, VZA                            |
|           |          |      |               |                     |           |                |                           | -                         | 1   | -               | 1000339 | -----   | BAF, BXF, BXF5, TAF, TXA2, TXF, TXF4, TXF5, TXF7  |
|           |          |      |               |                     |           |                |                           | -                         | -   | 1               | 1000443 | -----   | BAF, BXF, BXF5, TAF, TXA2, TXF, TXF4, TXF5, TXF7  |
| 32        |          |      |               |                     | D         | 92301-04006-0H | BOLT, RECESSED, 4X6 ..... | 1                         | -   | -               | 1000805 | -----   | QAF1, QDF, QXC2, QXF, QXF4, QXF5, QXF6, QZA5, QZB, QZB2, QZB3<br>QZE, QZE4, QZF8, VEP4, VXA1, VXF, VZA                            |
|           |          |      |               |                     |           |                |                           | -                         | 1   | -               | 1000339 | -----   | BAF, BXF, BXF5, TAF, TXA2, TXF, TXF4, TXF5, TXF7  |
|           |          |      |               |                     |           |                |                           | -                         | -   | 1               | 1000443 | -----   | BAF, BXF, BXF5, TAF, TXA2, TXF, TXF4, TXF5, TXF7  |

NOTE A:PART NO. CHANGE D:NEWLY PROVIDED E:PART NO.DELETION K:REQUIRED NO. CORRECTION L:APPLICATION SERIAL NO. CORRECTION  
T:APPLICATION CORRECTION Z:REMARKS CHANGE

PARTS CATALOGUE NEWS

BOOKNo. : 13Z9EA01

| Block No. | Ref. No. | Note | Part No.       | Description               | Reqd. QTY |         |         | Serial No.    | Parts catalogue code   |
|-----------|----------|------|----------------|---------------------------|-----------|---------|---------|---------------|--|
|           |          |      |                |                           | GX 630R   | GX 660R | GX 690R |               |  |
|           | 35       | D    | 94540-05018    | E-RING, 5MM .....         | 1         | -       | -       | 1000805 ----- | QAF1, QDF, QXC2, QXF, QXF4, QXF5, QXF6, QZA5, QZB, QZB2, QZB3<br>QZE, QZE4, QZF8, VEP4, VXA1, VXF, VZA |
|           |          |      |                |                           | -         | 1       | -       | 1000339 ----- | BAF, BXF, BXF5, TAF, TXA2, TXF, TXF4, TXF5, TXF7   |
|           |          |      |                |                           | -         | -       | 1       | 1000443 ----- | BAF, BXF, BXF5, TAF, TXA2, TXF, TXF4, TXF5, TXF7   |
| E-40      | 2        | L    | 16617-Z6L-000  | HOLDER, CABLE .....       | 1         | 1       | 1       | -----         | BDW, QAB, QAF, QAF3, QDF2, QDW, QXA, QXB1, QYD, QYF, QZA, QZE3<br>TDW, TXF9, VAF6, VXE8, VXF4          |
|           |          |      |                |                           | 1         | -       | -       | -----         | 1000804 QXF, QXF5  |
|           |          |      |                |                           | -         | 1       | -       | -----         | 1000338 BXF5, TXF5   |
|           |          |      |                |                           | -         | -       | 1       | -----         | 1000442 BXF5, TXF5   |
|           | 13       | L    | 92301-04006-0H | BOLT, RECESSED, 4X6 ..... | 1         | 1       | 1       | -----         | BDW, QAB, QAF, QAF3, QDF2, QDW, QXA, QXB1, QYD, QYF, QZA, QZE3<br>TDW, TXF9, VAF6, VXE8, VXF4          |
|           |          |      |                |                           | 1         | -       | -       | -----         | 1000804 QXF, QXF5  |
|           |          |      |                |                           | -         | 1       | -       | -----         | 1000338 BXF5, TXF5   |
|           |          |      |                |                           | -         | -       | 1       | -----         | 1000442 BXF5, TXF5   |
|           | 15       | L    | 94540-05018    | E-RING, 5MM .....         | 1         | 1       | 1       | -----         | BDW, QAB, QAF, QAF3, QDF2, QDW, QXA, QXB1, QYD, QYF, QZA, QZE3<br>TDW, TXF9, VAF6, VXE8, VXF4          |
|           |          |      |                |                           | 1         | -       | -       | -----         | 1000804 QXF, QXF5  |
|           |          |      |                |                           | -         | 1       | -       | -----         | 1000338 BXF5, TXF5   |
|           |          |      |                |                           | -         | -       | 1       | -----         | 1000442 BXF5, TXF5   |

NOTE A:PART NO. CHANGE D:NEWLY PROVIDED E:PART NO.DELETION K:REQUIRED NO. CORRECTION L:APPLICATION SERIAL NO. CORRECTION  
T:APPLICATION CORRECTION Z:REMARKS CHANGE



October 17, 2009



# PARTS CATALOGUE NEWS

Honda Motor Co., Ltd. Service Division

Printed in Japan

|                      |                            |
|----------------------|----------------------------|
| CODE NO.             | 13Z9EA01                   |
| PARTS CATALOGUE NEWS | GX630R<br>GX660R<br>GX690R |
| NEWS NO.             | 003                        |

## GX630R-QDX2 AND VAB5 TYPES sales parts information

NOTE: This Parts Catalogue News explains only the parts of the different model that are produced to conform to addition of the GX630R-QDX2 and VAB5 types.

As for the parts not listed on this Parts Catalogue News, use the parts of the GX630R-QXB1 and VAF6 types.

### •Models, parts catalogue codes and applicable serial numbers

| Model  | Type |                 | Parts catalogue type | Applicable engine serial No. | Applicable carburetor identification No. |
|--------|------|-----------------|----------------------|------------------------------|--|
| GX630R | QXB1 | Base type       | QXB1                 | GCBEK-1000001~               | BK07A A                                  |
|        | QDX2 | Additional type | QDX2                 |                              |  |
|        | VAF6 | Base type       | VAF6                 |                              |  |
|        | VAB5 | Additional type | VAB5                 |                              |  |

| •Features of each type |                              | Base type | Additional type | Base type | Additional type |
|------------------------|------------------------------|-----------|-----------------|-----------|-----------------|
| Model                  |                              | GX630R    |                 |           |                 |
| Type                   |                              | QXB1      | QDX2            | VAF6      | VAB5            |
| Crankshaft             | 25.4 mm Ø Straight (L=138)   | ●         | ●               |           |                 |
|                        | 28.575 mm Ø Straight (L=162) |           |                 |           |                 |
|                        | 36.5 mm Ø Straight (L=175.2) |           |                 |           |                 |
|                        | 5/16" Tapered                |           |                 | ●         |                 |
|                        | 7/16" Tapered                |           |                 |           |                 |
|                        | M10 Tapered                  |           |                 |           | ●               |
| Muffler                | Side mount                   |           |                 |           |                 |
|                        | High-R                       | (●)       | ●               | (●)       | (●)             |
|                        | High-L                       | (●)       | (●)             | (●)       | (●)             |
| Spark arrester         |                              | (●)       | (●)             | (●)       | (●)             |
| Control box            |                              |           |                 |           |                 |

## PARTS CATALOGUE NEWS

BOOKNo. : 13Z9EA01

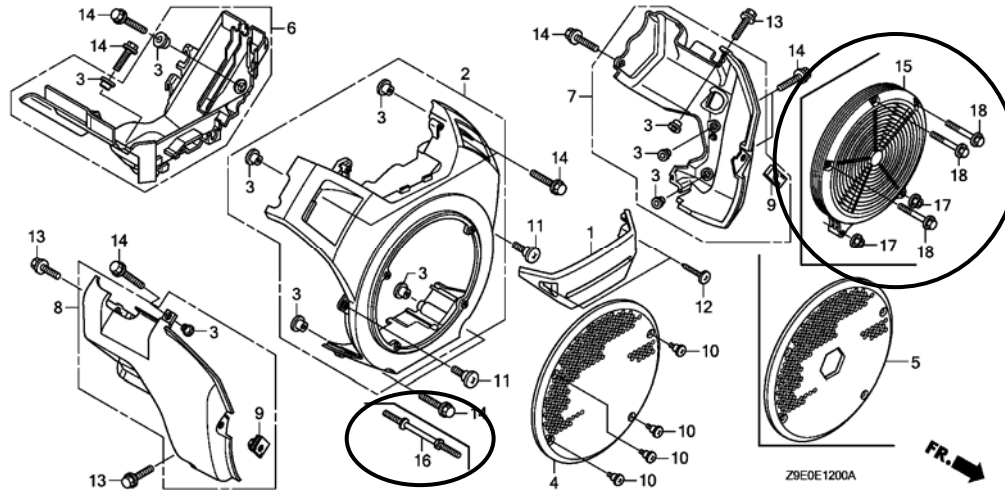
| Block No. | Ref. No. | Part No.       | Description                   | Reqd. QTY  |            |            | Base Part No.  | Parts catalogue code |
|-----------|----------|----------------|-------------------------------|------------|------------|------------|----------------|----------------------|
|           |          |                |                               | GX<br>630R | GX<br>660R | GX<br>690R |                |                      |
| E-2       | 18       | 98079-5287E    | PLUG, SPARK (FR2A) .....      | 2          | -          | -          | 98079-5587G    | VAB5                 |
| E-3       | 1        | 11100-Z6L-810  | CRANKCASE ASSY. ....          | 1          | -          | -          | 11100-Z6L-820  | QDX2                 |
|           | 4        |                | BOLT, SEALING .....           | 0          | -          | -          | 15424-Z6L-000  | QDX2                 |
|           | 8        |                | SWITCH ASSY., OIL LEVEL ..... | 0          | -          | -          | 35480-Z6L-003  | QDX2                 |
|           | 9        | 37240-ZG5-004  | SWITCH, OIL PRESSURE .....    | 1          | -          | -          |                | QDX2                 |
|           | 10       | 90002-ZG5-004  | SCREW-WASHER, 4X8 .....       | 1          | -          | -          |                | QDX2                 |
|           | 16       |                | O-RING, 37.9X2.4 .....        | 0          | -          | -          | 91309-Z6L-000  | QDX2                 |
|           | 23       |                | BOLT, FLANGE, 6X16 .....      | 0          | -          | -          | 95701-06016-00 | QDX2                 |
| E-6       | 7        | 15410-Z6L-000  | BASE COMP., OIL FILTER .....  | 1          | -          | -          |                | QDX2                 |
|           | 8        |                | BASE COMP., OIL FILTER .....  | 0          | -          | -          | 15410-Z6L-800  | QDX2                 |
|           | 10       | 15424-Z6L-000  | BOLT, SEALING .....           | 4          | -          | -          | 15424-Z6L-000  | QDX2                 |
|           | 32       |                | BOLT, FLANGE, 6X35 .....      | 0          | -          | -          | 95701-06035-00 | QDX2                 |
|           | 33       | 95701-06090-00 | BOLT, FLANGE, 6X90 .....      | 2          | -          | -          |                | QDX2                 |
| E-7       | 4        |                | CRANKSHAFT COMP. ....         | 0          | -          | -          | 13310-Z6L-620  | VAB5                 |
|           | 8        | 13310-Z6L-630  | CRANKSHAFT COMP. ....         | 1          | -          | -          |                | VAB5                 |

BOOKNo. : 13Z9EA01

| Block No. | Ref. No. | Part No. | Description | Reqd. QTY |         |         | Base Part No. | Parts catalogue code |
|-----------|----------|----------|-------------|-----------|---------|---------|---------------|----------------------|
|           |          |          |             | GX 630R   | GX 660R | GX 690R |               |                      |

E-12 FAN COVER

| Ref. No. | (Relative ref. Number) | Description        | FRT |
|----------|------------------------|--------------------|-----|
| 15       | 6201A5                 | GRID, SCREEN ..... | 0.1 |



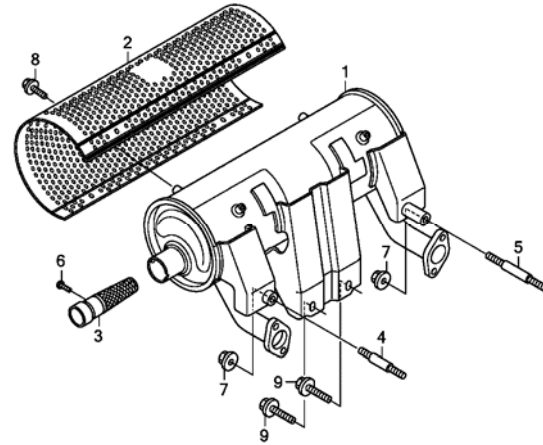
|      |    |  |       |                 |      |
|------|----|--|-------|-----------------|------|
| E-12 | 2  | COVER COMP., FAN<br>*NH1*..... BLACK       | 0 - - | 19610-Z6L-000ZB | QDX2 |
|      |    | 19610-Z6L-800ZA<br>*R280*..... POWER RED   | 1 - - | 19610-Z6L-000ZA | VAB5 |
|      |    | 19610-Z6L-800ZB<br>*NH1*..... BLACK        | 1 - - | 19610-Z6L-000ZB | VAB5 |
|      | 4  | PROTECTOR, FAN COVER .....                 | 0 - - | 19621-Z6L-000   | VAB5 |
|      | 10 | SCREW, SPECIAL, 4X10 .....                 | 0 - - | 90005-Z6L-000   | VAB5 |
|      | 14 | 95701-06020-00<br>BOLT, FLANGE, 6X20 ..... | 8 - - | 95701-06020-00  | VAB5 |
|      | 15 | 28456-Z6L-800<br>COVER, SCREEN GRID .....  | 1 - - |                 | VAB5 |
|      | 16 | 90042-Z6L-800<br>BOLT, STUD .....          | 2 - - |                 | VAB5 |
|      | 17 | 94050-06000<br>NUT, FLANGE, 6MM .....      | 2 - - |                 | VAB5 |
|      | 18 | 95701-06040-00<br>BOLT, FLANGE, 6X40 ..... | 3 - - |                 | VAB5 |

BOOKNo. : 13Z9EA01

| Block No. | Ref. No. | Part No. | Description | Reqd. QTY |         |         | Base Part No. | Parts catalogue code |
|-----------|----------|----------|-------------|-----------|---------|---------|---------------|----------------------|
|           |          |          |             | GX 630R   | GX 660R | GX 690R |               |                      |

**E-16-2 MUFFLER (HIGH-R)**

| Ref. No.                         | LON    | (Relative ref. Number)<br>Description | FRT |
|----------------------------------|--------|---------------------------------------|-----|
| 1                                | 3131C5 | MUFFLER, EXHAUST .....                | 0.2 |
| 3                                | 3131A1 | ARRESTER, SPARK .....                 | 0.1 |
| . INCLUDES: Spark arrester check |        |                                       |     |



Z9E0E1802

|        |   |                |                                       |     |   |   |               |      |
|--------|---|----------------|---------------------------------------|-----|---|---|---------------|------|
| E-16-2 | 1 | 18310-Z6L-003  | MUFFLER COMP. (HIGH-R) .....          | 1   | - | - |               | QDX2 |
|        | 2 | 18321-ZJ1-010  | PROTECTOR, MUFFLER (HIGH)<br>(FUTABA) | 1   | - | - |               | QDX2 |
|        | 3 | 18355-ZJ1-000  | ARRESTER, SPARK .....                 | (1) | - | - |               | QDX2 |
|        | 4 | 92900-08045-0B | BOLT, STUD, 8X45 .....                | 1   | - | - |               | QDX2 |
|        | 5 | 92900-08060-0B | BOLT, STUD, 8X60 .....                | 1   | - | - |               | QDX2 |
|        | 6 | 93901-250J0    | SCREW, TAPPING, 5X8 .....             | (1) | - | - |               | QDX2 |
|        | 7 | 94050-08000    | NUT, FLANGE, 8MM .....                | 2   | - | - |               | QDX2 |
|        | 8 | 95701-06008-00 | BOLT, FLANGE, 6X8 .....               | 6   | - | - |               | QDX2 |
|        | 9 | 95701-08020-00 | BOLT, FLANGE, 8X20 .....              | 2   | - | - |               | QDX2 |
| E-19   | 3 | 31110-Z6L-801  | FLYWHEEL COMP. ....                   | 1   | - | - | 31110-Z6L-003 | VAB5 |
|        | 5 | 19619-Z0A-300  | COLLAR, FAN COVER .....               | 3   | - | - |               | VAB5 |

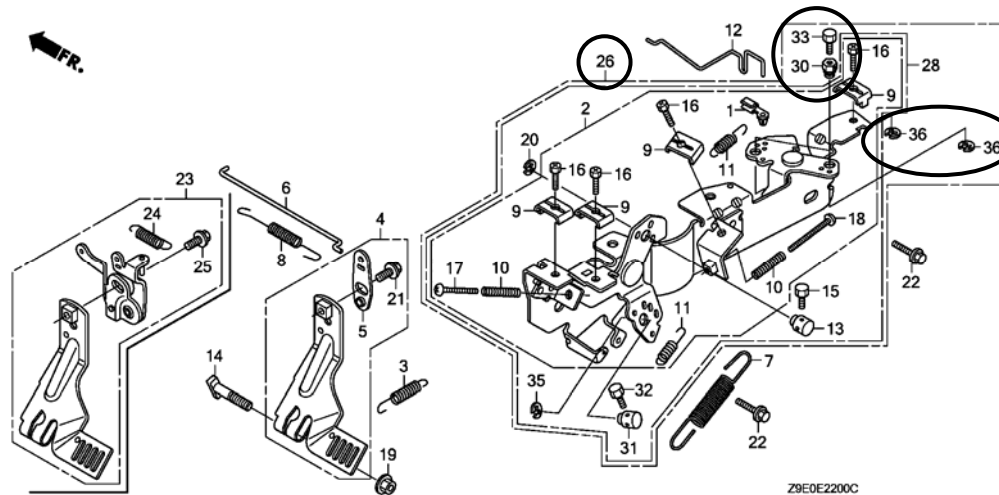
PARTS CATALOGUE NEWS

BOOKNo. : 13Z9EA01

| Block No. | Ref. No. | Part No.       | Description                    | Reqd. QTY |         |         | Base Part No. | Parts catalogue code |
|-----------|----------|----------------|--------------------------------|-----------|---------|---------|---------------|----------------------|
|           |          |                |                                | GX 630R   | GX 660R | GX 690R |               |                      |
|           | 7        | 28452-Z6L-800  | GRID, SCREEN .....             | 1         | -       | -       | VAB5          |                      |
|           | 8        | 28454-Z6L-800  | HOLDER, SCREEN GRID .....      | 1         | -       | -       | VAB5          |                      |
|           | 9        | 90131-S0X-A00  | SCREW, TRUSS, 6X16 .....       | 3         | -       | -       | VAB5          |                      |
|           | 10       | 95701-08018-00 | BOLT, FLANGE, 8X18 .....       | 3         | -       | -       | VAB5          |                      |
| E-20      | 3        | 31630-Z6L-811  | COIL ASSY., CHARGE (26A) ..... | 1         | -       | -       | 31630-Z6L-003 | VAB5                 |
|           | 6        | 32110-Z6L-000  | HARNES ASSY., ENGINE WIRE ...  | 1         | -       | -       | 32110-Z6L-800 | QDX2                 |

E-22 CONTROL

| Ref. No. | (Relative ref. Number)         | Description | FRT |
|----------|--------------------------------|-------------|-----|
| 2        | (26, 28)                       |             |     |
| 1161A5   | CONTROL, THROTTLE/GOVERNOR ... | 0.4         |     |



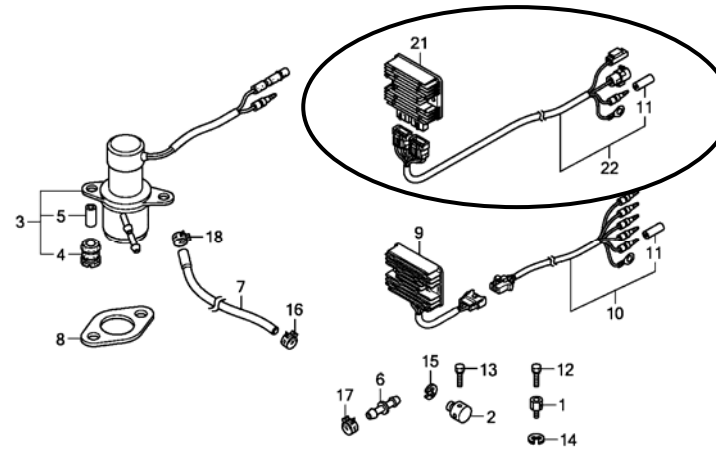
|      |    |   |   |   |   |               |  |
|------|----|---|---|---|---|---------------|--|
| E-22 | 2  | CONTROL ASSY. ....                          | 0 | - | - | 16500-Z6L-000 |  |
|      | 13 | 16617-Z6L-000<br>HOLDER, CABLE .....        | 1 | - | - |               |  |
|      | 15 | 92301-04006-0H<br>BOLT, RECESSED, 4X6 ..... | 1 | - | - |               |  |
|      | 20 | 94540-05018<br>E-RING, 5MM .....            | 1 | - | - |               |  |
|      | 26 | 16500-Z6L-810<br>CONTROL ASSY. ....         | 1 | - | - |               |  |
|      | 30 | 16594-883-010<br>HOLDER, WIRE .....         | 2 | - | - |               |  |

PARTS CATALOGUE NEWS

BOOKNo. : 13Z9EA01

| Block No. | Ref. No. | Part No.       | Description                | Reqd. QTY |         |         | Base Part No. | Parts catalogue code |
|-----------|----------|----------------|----------------------------|-----------|---------|---------|---------------|----------------------|
|           |          |                |                            | GX 630R   | GX 660R | GX 690R |               |                      |
|           | 31       | 16617-Z6L-000  | HOLDER, CABLE .....        | 1         | -       | -       |               |                      |
|           | 32       | 92301-04006-0H | BOLT, RECESSED, 4X6 .....  | 1         | -       | -       |               |                      |
|           | 33       | 92301-04006-0H | BOLT, RECESSED, 4X6 .....  | 2         | -       | -       |               |                      |
|           | 35       | 94540-05018    | E-RING, 5MM .....          | 1         | -       | -       |               |                      |
|           | 36       | 94540-05018    | E-RING, 5MM .....          | 2         | -       | -       |               |                      |
| E-28      | 4        | 99004-16170    | WRENCH, BOX (P16X17) ..... | 1         | -       | -       | QDX2          |                      |

E-40 OTHER PARTS (FUEL PUMP) (REGULATOR RECTIFIER)



Z9E0E4000B

|      |   |               |                                |   |   |   |               |  |
|------|---|---------------|--------------------------------|---|---|---|---------------|--|
| E-40 | 1 |               | HOLDER, WIRE .....             | 0 | - | - | 16594-883-010 |  |
|      | 2 |               | HOLDER, CABLE .....            | 0 | - | - | 16617-Z6L-000 |  |
|      | 3 | 16700-758-003 | PUMP ASSY., FUEL .....         | 1 | - | - | QDX2          |  |
|      | 4 | 16711-679-000 | RUBBER, FUEL PUMP MOUNTING ... | 2 | - | - | QDX2          |  |
|      | 5 | 16712-657-300 | COLLAR, FUEL PUMP DISTANCE ... | 2 | - | - | QDX2          |  |
|      | 6 | 16958-GJ6-000 | JOINT, FUEL TUBE .....         | 1 | - | - | QDX2          |  |

## PARTS CATALOGUE NEWS

BOOKNo. : 13Z9EA01

| Block No. | Ref. No. | Part No.       | Description                           | Reqd. QTY |         |         | Base Part No.  | Parts catalogue code |
|-----------|----------|----------------|---------------------------------------|-----------|---------|---------|----------------|----------------------|
|           |          |                |                                       | GX 630R   | GX 660R | GX 690R |                |                      |
|           | 7        | 17732-Z6D-013  | TUBE, FUEL SPECIAL (FKM) .....        | 1         | -       | -       |                | QDX2                 |
|           | 9        |                | RECTIFIER ASSY., REGULATOR<br>(20A)   | 0         | -       | -       | 31750-Z2E-803  | VAB5                 |
|           | 10       |                | HARNESS ASSY., SUB WIRE .....         | 0         | -       | -       | 32105-Z6L-000  | VAB5                 |
|           | 12       |                | BOLT, RECESSED, 4X6 .....             | 0         | -       | -       | 92301-04006-0H |                      |
|           | 13       |                | BOLT, RECESSED, 4X6 .....             | 0         | -       | -       | 92301-04006-0H |                      |
|           | 14       |                | E-RING, 5MM .....                     | 0         | -       | -       | 94540-05018    |                      |
|           | 15       |                | E-RING, 5MM .....                     | 0         | -       | -       | 94540-05018    |                      |
|           | 16       | 95002-40800-08 | CLAMP, TUBE (D8) .....                | 1         | -       | -       |                | QDX2                 |
|           | 17       | 95002-40850-08 | CLAMP, TUBE (D8.5) .....              | 1         | -       | -       |                | QDX2                 |
|           | 18       | 95002-40850-08 | CLAMP, TUBE (D8.5) .....              | 1         | -       | -       |                | QDX2                 |
|           | 21       | 31750-Z6L-004  | RECTIFIER ASSY., REGULATOR<br>(30A)   | 1         | -       | -       |                | VAB5                 |
|           | 22       | 32105-Z6L-800  | HARNESS ASSY., SUB WIRE .....         | 1         | -       | -       |                | VAB5                 |
| E-40-1    | 4        |                | MARK, THROTTLE INDICATION ....        | 0         | -       | -       | 87532-ZH7-800  | QDX2                 |
|           | 5        | 87539-Z0J-000  | MARK, EX. CAUTION (ENGLISH) ..        | 1         | -       | -       | 87539-Z0J-000  | QDX2                 |
|           | 7        | 87539-Z0J-810  | MARK, EX. CAUTION (FRENCH) ...        | 1         | -       | -       | 87539-Z0J-810  | QDX2                 |
| EOP-1     | 1        |                | MUFFLER KIT (HIGH-R) .....            | (0)       | -       | -       | 06183-Z6L-010  | QDX2                 |
|           | 2        |                | ARRESTER KIT (HIGH) .....             | (0)       | -       | -       | 06185-Z6L-000  | QDX2                 |
|           | 3        |                | MUFFLER COMP. (HIGH-R) .....          | (0)       | -       | -       | 18310-Z6L-003  | QDX2                 |
|           | 4        |                | PROTECTOR, MUFFLER (HIGH)<br>(FUTABA) | (0)       | -       | -       | 18321-ZJ1-010  | QDX2                 |
|           | 5        |                | ARRESTER, SPARK .....                 | (0)       | -       | -       | 18355-ZJ1-000  | QDX2                 |
|           | 6        |                | SCREW, TAPPING, 5X8 .....             | (0)       | -       | -       | 93901-250J0    | QDX2                 |
|           | 7        |                | BOLT, STUD, 8X45 .....                | (0)       | -       | -       | 92900-08045-0B | QDX2                 |
|           | 8        |                | BOLT, STUD, 8X60 .....                | (0)       | -       | -       | 92900-08060-0B | QDX2                 |



## PARTS CATALOGUE NEWS

BOOKNo. : 13Z9EA01

| Block No. | Ref. No. | Part No. | Description              | Reqd. QTY |         |         | Base Part No.  | Parts catalogue code |
|-----------|----------|----------|--------------------------|-----------|---------|---------|----------------|----------------------|
|           |          |          |                          | GX 630R   | GX 660R | GX 690R |                |                      |
|           | 9        |          | NUT, FLANGE, 8MM .....   | (0)       | -       | -       | 94050-08000    | QDX2                 |
|           | 10       |          | BOLT, FLANGE, 6X8 .....  | (0)       | -       | -       | 95701-06008-00 | QDX2                 |
|           | 11       |          | BOLT, FLANGE, 8X20 ..... | (0)       | -       | -       | 95701-08020-00 | QDX2                 |



# PARTS CATALOGUE NEWS

Honda Motor Co., Ltd. Service Division

## PARTS CATALOGUE - CORRECTED

Printed in Japan

|                      |                            |
|----------------------|----------------------------|
| CODE NO.             | 13Z9EA01                   |
| PARTS CATALOGUE NEWS | GX630R<br>GX660R<br>GX690R |
| NEWS NO.             | 004                        |

| Block No. | Ref. No. | Note | Part No.       | Description                           | Reqd. QTY |         |         | Serial No. | Parts catalogue code   |
|-----------|----------|------|----------------|---------------------------------------|-----------|---------|---------|------------|--|
|           |          |      |                |                                       | GX 630R   | GX 660R | GX 690R |            |  |
| E-20      | 5        | L    | 31750-735-013  | RECTIFIER COMP., REGULATOR<br>(5A)    | 1         | 1       | 1       | -----      | QXA, QXC2, QZA, QZE, QZE3, QZE4, VEP4, VXA1, VXD4, VXD8, VXE1<br>VXE2, VXE4, VZA, VZA2 |
|           |          |      |                |                                       | 1         | -       | -       | -----      | 1001284  |
|           | 9        | L    | 32115-Z6L-000  | BRACKET, REGULATOR RECTIFIER .        | 1         | 1       | 1       | -----      | QXA, QXC2, QZA, QZE, QZE3, QZE4, VEP4, VXA1, VXD4, VXD8, VXE1<br>VXE2, VXE4, VZA, VZA2 |
|           |          |      |                |                                       | 1         | -       | -       | -----      | 1001284  |
|           | 10       | L    | 32183-Z6L-000  | HARNESS ASSY., REGULATOR<br>RECTIFIER | 1         | 1       | 1       | -----      | QXA, QXC2, QZA, QZE, QZE3, QZE4, VEP4, VXA1, VXD4, VXD8, VXE1<br>VXE2, VXE4, VZA, VZA2 |
|           |          |      |                |                                       | 1         | -       | -       | -----      | 1001284  |
|           | 14       | L    | 95701-06008-00 | BOLT, FLANGE, 6X8 .....               | 1         | 1       | 1       | -----      | QXA, QXC2, QZA, QZE, QZE3, QZE4, VEP4, VXA1, VXD4, VXD8, VXE1<br>VXE2, VXE4, VZA, VZA2 |
|           |          |      |                |                                       | 1         | -       | -       | -----      | 1001284  |
|           | 16       | L    | 95701-06014-00 | BOLT, FLANGE, 6X14 .....              | 1         | 1       | 1       | -----      | QXA, QXC2, QZA, QZE, QZE3, QZE4, VEP4, VXA1, VXD4, VXD8, VXE1<br>VXE2, VXE4, VZA, VZA2 |
|           |          |      |                |                                       | 1         | -       | -       | -----      | 1001284  |
|           | 17       | L    | 95701-06030-00 | BOLT, FLANGE, 6X30 .....              | 1         | 1       | 1       | -----      | QXA, QXC2, QZA, QZE, QZE3, QZE4, VEP4, VXA1, VXD4, VXD8, VXE1<br>VXE2, VXE4, VZA, VZA2 |

NOTE A:PART NO. CHANGE D:NEWLY PROVIDED E:PART NO. DELETION K:REQUIRED NO. CORRECTION L:APPLICATION SERIAL NO. CORRECTION  
T:APPLICATION CORRECTION Z:REMARKS CHANGE

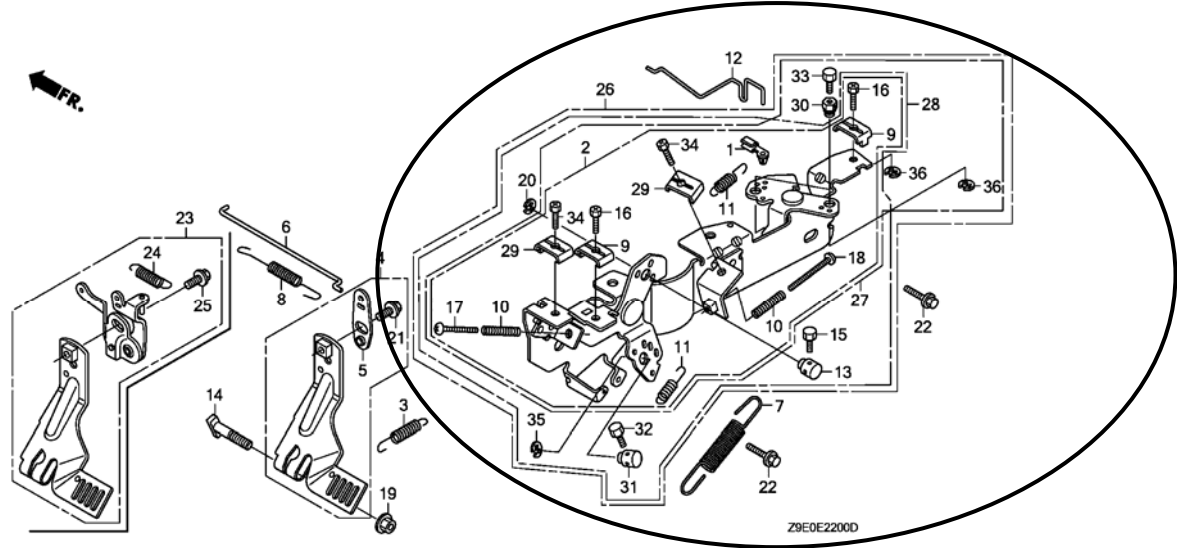
PARTS CATALOGUE NEWS

BOOKNo. : 13Z9EA01

| Block No. | Ref. No. | Note | Part No. | Description | Reqd. QTY |         |         | Serial No.    | Parts catalogue code      |
|-----------|----------|------|----------|-------------|-----------|---------|---------|---------------|---------------------------|
|           |          |      |          |             | GX 630R   | GX 660R | GX 690R |               |                           |
|           |          |      |          |             | 1         | -       | -       | ----- 1001284 | VD, VDB2, VXD, VXE8, VXP2 |

E-22 CONTROL

| Ref. No. | (Relative ref. Number)<br>Description                 | FRT |
|----------|---|-----|
| 2        | (26, 27, 28)<br>1161A5 CONTROL, THROTTLE/GOVERNOR ... | 0.4 |



|      |   |   |               |                     |   |   |   |               |  |
|------|---|---|---------------|---------------------|---|---|---|---------------|--|
| E-22 | 2 | L | 16500-Z6L-000 | CONTROL ASSY. ....  | 1 | - | - | -----         | QAB, QXA, QXB1, QZA, VAF6  |
|      |   |   |               |                     | 1 | - | - | ----- 1000804 | QAF1, QDF, QXC2, QXF, QXF4, QXF5, QXF6, QZA5, QZB, QZB2, QZB3, QZE, QZE4, QZF8, VEP4, VXA1, VXF, VZA |
|      |   |   |               |                     | 1 | - | - | ----- 1001284 | QAF, QAF3, QDF2, QDW, QYD, QYF, QZE3, VXE8, VXF4   |
|      |   |   |               |                     | - | 1 | - | ----- 1000338 | BAF, BXF, BXF5, TAF, TXA2, TXF, TXF4, TXF5, TXF7   |
|      |   |   |               |                     | - | 1 | - | ----- 1000506 | BDW, TDW, TXF9   |
|      |   |   |               |                     | - | - | 1 | ----- 1000442 | BAF, BXF, BXF5, TAF, TXA2, TXF, TXF4, TXF5, TXF7   |
|      |   |   |               |                     | - | - | 1 | ----- 1000638 | BDW, TDW, TXF9   |
|      |   | L | 16500-Z6L-800 | .....               | 1 | 1 | 1 | -----         | VD, VDB2, VDC2, VXD, VXD4, VXD8, VXE1, VXE2, VXE4, VXP2, VZA2  |
|      |   |   |               |                     | 1 | - | - | ----- 1001212 | QWF2   |
|      | 9 | K | 16576-891-000 | HOLDER, CABLE ..... | 2 | 2 | 2 |               |  |

NOTE A:PART NO. CHANGE D:NEWLY PROVIDED E:PART NO.DELETION K:REQUIRED NO. CORRECTION L:APPLICATION SERIAL NO. CORRECTION  
T:APPLICATION CORRECTION Z:REMARKS CHANGE

PARTS CATALOGUE NEWS

BOOKNo. : 13Z9EA01

| Block No. | Ref. No. | Note | Part No.       | Description                | Reqd. QTY |         |         | Serial No. | Parts catalogue code  |  |
|-----------|----------|------|----------------|----------------------------|-----------|---------|---------|------------|---|--|
|           |          |      |                |                            | GX 630R   | GX 660R | GX 690R |            |   |  |
|           | 13       | T    | 16617-Z6L-000  | HOLDER, CABLE .....        | 1         | 1       | 1       | -----      | BAF, BXF, QAF1, QDF, QDX2, QXC2, QXF4, QXF6, QZA5, QZB, QZB2, QZB3, QZE, QZE4, QZF8, TAF, TXA2, TXF, TXF4, TXF7, VAB5, VEP4, VXA1, VXF, VZA |  |
|           |          |      |                |                            | 1         | -       | -       | 1000805    | -----   | QXF, QXF5, QZE3                                  |
|           |          |      |                |                            | 1         | -       | -       | 1001285    | -----   | QAF, QAF3, QDF2, QDW, QYD, QYF, VXE8, VXF4       |
|           |          |      |                |                            | -         | 1       | -       | 1000339    | -----   | BXF5, TXF5                                       |
|           |          |      |                |                            | -         | 1       | -       | 1000507    | -----   | BDW, TDW, TXF9                                   |
|           |          |      |                |                            | -         | -       | 1       | 1000443    | -----   | BXF5, TXF5                                       |
|           |          |      |                |                            | -         | -       | 1       | 1000639    | -----   | BDW, TDW, TXF9                                   |
|           | 15       | T    | 92301-04006-0H | BOLT, RECESSED, 4X6 .....  | 1         | 1       | 1       | -----      | BAF, BXF, QAF1, QDF, QDX2, QXC2, QXF4, QXF6, QZA5, QZB, QZB2, QZB3, QZE, QZE4, QZF8, TAF, TXA2, TXF, TXF4, TXF7, VAB5, VEP4, VXA1, VXF, VZA |  |
|           |          |      |                |                            | 1         | -       | -       | 1000805    | -----   | QXF, QXF5  |
|           |          |      |                |                            | 1         | -       | -       | 1001285    | -----   | QAF, QAF3, QDF2, QDW, QYD, QYF, QZE3, VXE8, VXF4 |
|           |          |      |                |                            | -         | 1       | -       | 1000339    | -----   | BXF5, TXF5                                       |
|           |          |      |                |                            | -         | 1       | -       | 1000507    | -----   | BDW, TDW, TXF9                                   |
|           |          |      |                |                            | -         | -       | 1       | 1000443    | -----   | BXF5, TXF5                                       |
|           |          |      |                |                            | -         | -       | 1       | 1000639    | -----   | BDW, TDW, TXF9                                   |
|           | 16       | K    | 92301-05016-0A | BOLT, RECESSED, 5X16 ..... | 2         | 2       | 2       |            |   |  |
|           | 20       | T    | 94540-05018    | E-RING, 5MM .....          | 1         | 1       | 1       | -----      | BAF, BXF, QAF1, QDF, QDX2, QXC2, QXF4, QXF6, QZA5, QZB, QZB2, QZB3, QZE, QZE4, QZF8, TAF, TXA2, TXF, TXF4, TXF7, VAB5, VEP4, VXA1, VXF, VZA |  |
|           |          |      |                |                            | 1         | -       | -       | 1000805    | -----   | QXF, QXF5  |
|           |          |      |                |                            | 1         | -       | -       | 1001285    | -----   | QAF, QAF3, QDF2, QDW, QYD, QYF, QZE3, VXE8, VXF4 |
|           |          |      |                |                            | -         | 1       | -       | 1000339    | -----   | BXF5, TXF5                                       |
|           |          |      |                |                            | -         | 1       | -       | 1000507    | -----   | BDW, TDW, TXF9                                   |
|           |          |      |                |                            | -         | -       | 1       | 1000443    | -----   | BXF5, TXF5                                       |

NOTE A:PART NO. CHANGE D:NEWLY PROVIDED E:PART NO.DELETION K:REQUIRED NO. CORRECTION L:APPLICATION SERIAL NO. CORRECTION  
T:APPLICATION CORRECTION Z:REMARKS CHANGE

PARTS CATALOGUE NEWS

BOOKNo. : 13Z9EA01

| Block No. | Ref. No. | Note | Part No.       | Description               | Reqd. QTY |         |         | Serial No.    | Parts catalogue code  |
|-----------|----------|------|----------------|---------------------------|-----------|---------|---------|---------------|---|
|           |          |      |                |                           | GX 630R   | GX 660R | GX 690R |               |   |
|           |          |      |                |                           | -         | -       | 1       | 1000639 ----- | BDW, TDW, TXF9  |
|           | 26       | T    | 16500-Z6L-810  | CONTROL ASSY. ....        | 1         | -       | -       | -----         | QDX2, VAB5  |
|           |          |      |                |                           | 1         | -       | -       | 1001285 ----- | QAF, QAF3, QDF2, QDW, QYD, QYF, QZE3, VXE8, VXF4  |
|           |          |      |                |                           | -         | 1       | -       | 1000507 ----- | BDW, TDW, TXF9  |
|           |          |      |                |                           | -         | -       | 1       | 1000639 ----- | BDW, TDW, TXF9  |
|           | 27       | D    | 16500-Z6L-820  | CONTROL ASSY. ....        | 1         | -       | -       | 1001213 ----- | QWF2  |
|           | 29       | D    | 16576-891-000  | HOLDER, CABLE .....       | 2         | 2       | 2       | -----         | BAF, BDW, BXF, BXF5, QAB, QAF, QAF1, QAF3, QDF, QDF2, QDW, QDX2, QXA, QXB1, QXC2, QXF, QXF4, QXF5, QXF6, QYD, QYF, QZA, QZA5, QZB, QZB2, QZB3, QZE, QZE3, QZE4, QZF8, TAF, TDW, TXA2, TXF, TXF4, TXF5, TXF7, TXF9, VAB5, VAF6, VEP4, VXA1, VXE8, VXF, VXF4, VZA |
|           | 30       | T    | 16594-883-010  | HOLDER, WIRE .....        | 2         | -       | -       | -----         | QDX2, VAB5  |
|           |          |      |                |                           | 2         | -       | -       | 1001285 ----- | QAF, QAF3, QDF2, QDW, QWF2, QYD, QYF, QZE3, VXE8, VXF4  |
|           |          |      |                |                           | -         | 2       | -       | 1000507 ----- | BDW, TDW, TXF9  |
|           |          |      |                |                           | -         | -       | 2       | 1000639 ----- | BDW, TDW, TXF9  |
|           | 31       | T    | 16617-Z6L-000  | HOLDER, CABLE .....       | 1         | -       | -       | -----         | QDX2, VAB5  |
|           |          |      |                |                           | 1         | -       | -       | 1000805 ----- | QAF1, QDF, QXC2, QXF, QXF4, QXF5, QXF6, QZA5, QZB, QZB2, QZB3, QZE, QZE4, QZF8, VEP4, VXA1, VXF, VZA  |
|           |          |      |                |                           | 1         | -       | -       | 1001285 ----- | QAF, QAF3, QDF2, QDW, QYD, QYF, QZE3, VXE8, VXF4  |
|           |          |      |                |                           | -         | 1       | -       | 1000339 ----- | BAF, BXF, BXF5, TAF, TXA2, TXF, TXF4, TXF5, TXF7  |
|           |          |      |                |                           | -         | 1       | -       | 1000507 ----- | BDW, TDW, TXF9  |
|           |          |      |                |                           | -         | -       | 1       | 1000443 ----- | BAF, BXF, BXF5, TAF, TXA2, TXF, TXF4, TXF5, TXF7  |
|           |          |      |                |                           | -         | -       | 1       | 1000639 ----- | BDW, TDW, TXF9  |
|           | 32       | T    | 92301-04006-0H | BOLT, RECESSED, 4X6 ..... | 1         | -       | -       | -----         | QDX2, VAB5  |
|           |          |      |                |                           | 1         | -       | -       | 1000805 ----- | QAF1, QDF, QXC2, QXF, QXF4, QXF5, QXF6, QZA5, QZB, QZB2, QZB3, QZE, QZE4, QZF8, VEP4, VXA1, VXF, VZA  |
|           |          |      |                |                           | 1         | -       | -       | 1001285 ----- | QAF, QAF3, QDF2, QDW, QYD, QYF, QZE3, VXE8, VXF4  |
|           |          |      |                |                           | -         | 1       | -       | 1000339 ----- | BAF, BXF, BXF5, TAF, TXA2, TXF, TXF4, TXF5, TXF7  |

NOTE A:PART NO. CHANGE D:NEWLY PROVIDED E:PART NO.DELETION K:REQUIRED NO. CORRECTION L:APPLICATION SERIAL NO. CORRECTION  
T:APPLICATION CORRECTION Z:REMARKS CHANGE

PARTS CATALOGUE NEWS

BOOKNo. : 13Z9EA01

| Block No. | Ref. No. | Note | Part No.       | Description                | Reqd. QTY |         |         | Serial No. | Parts catalogue code |   |
|-----------|----------|------|----------------|----------------------------|-----------|---------|---------|------------|----------------------|---|
|           |          |      |                |                            | GX 630R   | GX 660R | GX 690R |            |                      |   |
|           |          |      |                |                            | -         | 1       | -       | 1000507    | -----                | BDW, TDW, TXF9  |
|           |          |      |                |                            | -         | -       | 1       | 1000443    | -----                | BAF, BXF, BXF5, TAF, TXA2, TXF, TXF4, TXF5, TXF7  |
|           |          |      |                |                            | -         | -       | 1       | 1000639    | -----                | BDW, TDW, TXF9  |
|           | 33       | T    | 92301-04006-0H | BOLT, RECESSED, 4X6 .....  | 2         | -       | -       | -----      | -----                | QDX2, VAB5  |
|           |          |      |                |                            | 2         | -       | -       | 1001285    | -----                | QAF, QAF3, QDF2, QDW, QWF2, QYD, QYF, QZE3, VXE8, VXF4  |
|           |          |      |                |                            | -         | 2       | -       | 1000507    | -----                | BDW, TDW, TXF9  |
|           |          |      |                |                            | -         | -       | 2       | 1000639    | -----                | BDW, TDW, TXF9  |
|           | 34       | D    | 92301-05016-0A | BOLT, RECESSED, 5X16 ..... | 2         | 2       | 2       | -----      | -----                | BAF, BDW, BXF, BXF5, QAB, QAF, QAF1, QAF3, QDF, QDF2, QDW, QDX2, QXA, QXB1, QXC2, QXF, QXF4, QXF5, QXF6, QYD, QYF, QZA, QZA5, QZB, QZB2, QZB3, QZE, QZE3, QZE4, QZF8, TAF, TDW, TXA2, TXF, TXF4, TXF5, TXF7, TXF9, VAB5, VAF6, VEP4, VXA1, VXE8, VXF, VXF4, VZA |
|           | 35       | T    | 94540-05018    | E-RING, 5MM .....          | 1         | -       | -       | -----      | -----                | QDX2, VAB5  |
|           |          |      |                |                            | 1         | -       | -       | 1000805    | -----                | QAF1, QDF, QXC2, QXF, QXF4, QXF5, QXF6, QZA5, QZB, QZB2, QZB3, QZE, QZE4, QZF8, VEP4, VXA1, VXF, VZA  |
|           |          |      |                |                            | 1         | -       | -       | 1001285    | -----                | QAF, QAF3, QDF2, QDW, QYD, QYF, QZE3, VXE8, VXF4  |
|           |          |      |                |                            | -         | 1       | -       | 1000339    | -----                | BAF, BXF, BXF5, TAF, TXA2, TXF, TXF4, TXF5, TXF7  |
|           |          |      |                |                            | -         | 1       | -       | 1000507    | -----                | BDW, TDW, TXF9  |
|           |          |      |                |                            | -         | -       | 1       | 1000443    | -----                | BAF, BXF, BXF5, TAF, TXA2, TXF, TXF4, TXF5, TXF7  |
|           |          |      |                |                            | -         | -       | 1       | 1000639    | -----                | BDW, TDW, TXF9  |
|           | 36       | T    | 94540-05018    | E-RING, 5MM .....          | 2         | -       | -       | -----      | -----                | QDX2, VAB5  |
|           |          |      |                |                            | 2         | -       | -       | 1001285    | -----                | QAF, QAF3, QDF2, QDW, QWF2, QYD, QYF, QZE3, VXE8, VXF4  |
|           |          |      |                |                            | -         | 2       | -       | 1000507    | -----                | BDW, TDW, TXF9  |
|           |          |      |                |                            | -         | -       | 2       | 1000639    | -----                | BDW, TDW, TXF9  |

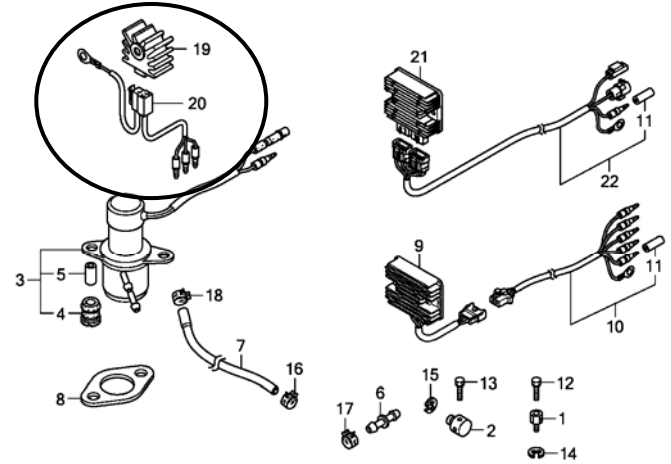
NOTE A:PART NO. CHANGE D:NEWLY PROVIDED E:PART NO.DELETION K:REQUIRED NO. CORRECTION L:APPLICATION SERIAL NO. CORRECTION  
T:APPLICATION CORRECTION Z:REMARKS CHANGE

PARTS CATALOGUE NEWS

BOOKNo. : 13Z9EA01

| Block No. | Ref. No. | Note | Part No. | Description | Reqd. QTY |         |         | Serial No. | Parts catalogue code |
|-----------|----------|------|----------|-------------|-----------|---------|---------|------------|----------------------|
|           |          |      |          |             | GX 630R   | GX 660R | GX 690R |            |                      |

E-40 OTHER PARTS (FUEL PUMP) (REGULATOR RECTIFIER)



Z9E0E4000C

|      |   |   |               |                     |    |   |                |                           |         |   |   |       |         |      |
|------|---|---|---------------|---------------------|----|---|----------------|---------------------------|---------|---|---|-------|---------|------|
| E-40 | 1 | L | 16594-883-010 | HOLDER, WIRE .....  | 1  | - | -              | -----                     | 1001212 | QWF2  |   |       |         |      |
|      |   |   |               |                     | 1  | - | -              | -----                     | 1001284 | QAB, QAF, QAF3, QDF2, QDW, QXA, QXB1, QYD, QYF, QZA, QZE3, VAF6 VD, VDB2, VDC2, VXD, VXE8, VXF4, VXP2 |   |       |         |      |
|      |   |   |               |                     | -  | 1 | -              | -----                     | 1000506 | BDW, TDW, TXF9  |   |       |         |      |
|      |   |   |               |                     | -  | - | 1              | -----                     | 1000638 | BDW, TDW, TXF9  |   |       |         |      |
|      | 2 | L | 16617-Z6L-000 | HOLDER, CABLE ..... | 1  | - | -              | -----                     | -----   | QAB, QAF, QAF3, QDF2, QDW, QXA, QXB1, QYD, QYF, QZA, QZE3, VAF6 VXE8, VXF4                            |   |       |         |      |
|      |   |   |               |                     | 1  | - | -              | -----                     | 1000804 | QXF, QXF5   |   |       |         |      |
|      |   |   |               |                     | -  | 1 | -              | -----                     | 1000338 | BXF5, TXF5  |   |       |         |      |
|      |   |   |               |                     | -  | 1 | -              | -----                     | 1000506 | BDW, TDW, TXF9  |   |       |         |      |
|      |   |   |               |                     | -  | - | 1              | -----                     | 1000442 | BXF5, TXF5  |   |       |         |      |
|      |   |   |               |                     | -  | - | 1              | -----                     | 1000638 | BDW, TDW, TXF9  |   |       |         |      |
|      |   |   |               |                     | 12 | L | 92301-04006-0H | BOLT, RECESSED, 4X6 ..... | 1       | -   | - | ----- | 1001212 | QWF2 |

NOTE A:PART NO. CHANGE D:NEWLY PROVIDED E:PART NO. DELETION K:REQUIRED NO. CORRECTION L:APPLICATION SERIAL NO. CORRECTION  
T:APPLICATION CORRECTION Z:REMARKS CHANGE

PARTS CATALOGUE NEWS

BOOKNo. : 13Z9EA01

| Block No. | Ref. No. | Note | Part No.       | Description                           | Reqd. QTY |         |         | Serial No.    | Parts catalogue code  |
|-----------|----------|------|----------------|---------------------------------------|-----------|---------|---------|---------------|---|
|           |          |      |                |                                       | GX 630R   | GX 660R | GX 690R |               |   |
|           |          |      |                |                                       | 1         | -       | -       | ----- 1001284 | QAB, QAF, QAF3, QDF2, QDW, QXA, QXB1, QYD, QYF, QZA, QZE3, VAF6 VD, VDB2, VDC2, VXD, VXE8, VXF4, VXP2 |
|           |          |      |                |                                       | -         | 1       | -       | ----- 1000506 | BDW, TDW, TXF9  |
|           |          |      |                |                                       | -         | -       | 1       | ----- 1000638 | BDW, TDW, TXF9  |
|           | 13       | L    | 92301-04006-0H | BOLT, RECESSED, 4X6 .....             | 1         | -       | -       | ----- 1000804 | QXF, QXF5   |
|           |          |      |                |                                       | 1         | -       | -       | ----- 1001284 | QAB, QAF, QAF3, QDF2, QDW, QXA, QXB1, QYD, QYF, QZA, QZE3, VAF6 VXE8, VXF4                            |
|           |          |      |                |                                       | -         | 1       | -       | ----- 1000338 | BXF5, TXF5  |
|           |          |      |                |                                       | -         | 1       | -       | ----- 1000506 | BDW, TDW, TXF9  |
|           |          |      |                |                                       | -         | -       | 1       | ----- 1000442 | BXF5, TXF5  |
|           |          |      |                |                                       | -         | -       | 1       | ----- 1000638 | BDW, TDW, TXF9  |
|           | 14       | L    | 94540-05018    | E-RING, 5MM .....                     | 1         | -       | -       | ----- 1001212 | QWF2  |
|           |          |      |                |                                       | 1         | -       | -       | ----- 1001284 | QAB, QAF, QAF3, QDF2, QDW, QXA, QXB1, QYD, QYF, QZA, QZE3, VAF6 VD, VDB2, VDC2, VXD, VXE8, VXF4, VXP2 |
|           |          |      |                |                                       | -         | 1       | -       | ----- 1000506 | BDW, TDW, TXF9  |
|           |          |      |                |                                       | -         | -       | 1       | ----- 1000638 | BDW, TDW, TXF9  |
|           | 15       | L    | 94540-05018    | E-RING, 5MM .....                     | 1         | -       | -       | ----- 1000804 | QXF, QXF5   |
|           |          |      |                |                                       | 1         | -       | -       | ----- 1001284 | QAB, QAF, QAF3, QDF2, QDW, QXA, QXB1, QYD, QYF, QZA, QZE3, VAF6 VXE8, VXF4                            |
|           |          |      |                |                                       | -         | 1       | -       | ----- 1000338 | BXF5, TXF5  |
|           |          |      |                |                                       | -         | 1       | -       | ----- 1000506 | BDW, TDW, TXF9  |
|           |          |      |                |                                       | -         | -       | 1       | ----- 1000442 | BXF5, TXF5  |
|           |          |      |                |                                       | -         | -       | 1       | ----- 1000638 | BDW, TDW, TXF9  |
|           | 19       | D    | 31750-735-013  | RECTIFIER COMP., REGULATOR<br>(5A)    | 1         | -       | -       | 1001285 ----- | VD, VDB2, VXD, VXE8, VXP2   |
|           | 20       | D    | 32183-Z6L-000  | HARNESS ASSY., REGULATOR<br>RECTIFIER | 1         | -       | -       | 1001285 ----- | VD, VDB2, VXD, VXE8, VXP2   |

NOTE A:PART NO. CHANGE D:NEWLY PROVIDED E:PART NO. DELETION K:REQUIRED NO. CORRECTION L:APPLICATION SERIAL NO. CORRECTION  
T:APPLICATION CORRECTION Z:REMARKS CHANGE





# PARTS CATALOGUE NEWS

Honda Motor Co., Ltd. Service Division

## PARTS CATALOGUE - CORRECTED

Printed in Japan

|                      |                            |
|----------------------|----------------------------|
| CODE NO.             | 13Z9EA01                   |
| PARTS CATALOGUE NEWS | GX630R<br>GX660R<br>GX690R |
| NEWS NO.             | 005                        |

| Block No. | Ref. No. | Note | Part No.        | Description                         | Reqd. QTY |         |         | Serial No. | Parts catalogue code   |
|-----------|----------|------|-----------------|-------------------------------------|-----------|---------|---------|------------|--|
|           |          |      |                 |                                     | GX 630R   | GX 660R | GX 690R |            |  |
| E-12      | 2        | T    | 19610-Z6L-000ZB | COVER COMP., FAN<br>*NH1*.....BLACK | 1         | -       | 1       | -----      | BAF, BDW, BXF, BXF5, QAB, QAF, QAF1, QAF3, QDF, QDF2, QDW, QWF2, QXA, QXB1, QXC2, QXF, QXF4, QXF6, QYD, QYF, QZA, QZB, QZE, QZE3, QZE4, TAF, TDW, TXA2, TXF, TXF4, TXF5, TXF7, TXF9, VAF6, VD, VDB2, VXA1, VXD, VXD2, VXD4, VXD8, VXE1, VXE4, VXE8, VXF, VXF4, VXP2, VZA, VZA2 |
|           |          |      |                 |                                     | -         | 1       | -       |            |  |

NOTE A:PART NO. CHANGE D:NEWLY PROVIDED E:PART NO.DELETION K:REQUIRED NO. CORRECTION L:APPLICATION SERIAL NO. CORRECTION  
T:APPLICATION CORRECTION Z:REMARKS CHANGE



# PARTS CATALOGUE NEWS

Honda Motor Co., Ltd. Service Division

Printed in Japan

|                            |                            |
|----------------------------|----------------------------|
| CODE NO.                   | 13Z9EA01                   |
| PARTS<br>CATALOGUE<br>NEWS | GX630R<br>GX660R<br>GX690R |
| NEWS NO.                   | 006                        |

## GX630R-QDP2, TXA2 AND VXD2 TYPES sales parts information

NOTE: This Parts Catalogue News explains only the parts of the different model that are produced to conform to addition of the GX630R-QDP2, TXA2 and VXD2 types.

As for the parts not listed on this Parts Catalogue News, use the parts of the GX630R-QDF2, VXF and VXE2 types.

### •Models, parts catalogue codes and applicable serial numbers

| Model  | Type |                 | Parts catalogue type | Applicable engine serial No. | Applicable carburetor identification No. |
|--------|------|-----------------|----------------------|------------------------------|--|
| GX630R | QDF2 | Base type       | QDF2                 | GCBEK-1000001~               | BK07A A                                  |
|        | QDP2 | Additional type | QDP2                 |                              |  |
|        | VXF  | Base type       | VXF                  |                              |  |
|        | TXA2 | Additional type | TXA2                 |                              | BK07L A                                  |
|        | VXE2 | Base type       | VXE2                 |                              | BK07G A                                  |
|        | VXD2 | Additional type | VXD2                 |                              |  |

| •Features of each type |                              | Base type | Additional type | Base type | Additional type | Base type | Additional type |
|------------------------|------------------------------|-----------|-----------------|-----------|-----------------|-----------|-----------------|
| Specifications         | Model                        | GX630R    |                 |           |                 |           |                 |
|                        | Type                         | QDF2      | QDP2            | VXF       | TXA2            | VXE2      | VXD2            |
| Crankshaft             | 25.4 mm Ø Straight (L=138)   | ●         | ●               |           |                 |           |                 |
|                        | 28.575 mm Ø Straight (L=162) |           |                 |           | ●               |           |                 |
|                        | 36.5 mm Ø Straight (L=175.2) |           |                 |           |                 |           |                 |
|                        | 5/16" Tapered                |           |                 | ●         |                 | ●         | ●               |
|                        | 7/16" Tapered                |           |                 |           |                 |           |                 |
|                        | M10 Tapered                  |           |                 |           |                 |           |                 |
| Muffler                | Side mount                   |           |                 |           |                 |           |                 |
|                        | High-R                       | (●)       | (●)             | (●)       | (●)             | (●)       | (●)             |
|                        | High-L                       | (●)       | (●)             | (●)       | (●)             | (●)       | (●)             |
| Spark arrester         |                              | (●)       | (●)             | (●)       | (●)             | (●)       | (●)             |
| Control box            |                              |           |                 | ●         | ●               | ●         | ●               |

## PARTS CATALOGUE NEWS

BOOKNo. : 13Z9EA01

| Block No. | Ref. No. | Part No.        | Description   | Reqd. QTY  |            |            | Base Part No.   | Parts catalogue code |
|-----------|----------|-----------------|---|------------|------------|------------|-----------------|----------------------|
|           |          |                 |   | GX<br>630R | GX<br>660R | GX<br>690R |                 |                      |
| E-2       | 18       | 98079-5287E     | PLUG, SPARK (FR2A) .....                            | 2          | -          | -          | 98079-5587G     | QDP2                 |
| E-3       | 4        |                 | BOLT, SEALING .....                                 | 0          | -          | -          | 15424-Z6L-000   | QDP2                 |
|           | 9        | 37240-ZG5-004   | SWITCH, OIL PRESSURE .....                          | 1          | -          | -          |                 | QDP2                 |
|           | 10       | 90002-ZG5-004   | SCREW-WASHER, 4X8 .....                             | 1          | -          | -          |                 | QDP2                 |
| E-6       | 1        | 11300-Z6L-010   | COVER ASSY., CRANKCASE .....                        | 1          | -          | -          | 11300-Z6L-000   |                      |
|           | 3        | 15140-Z6L-010   | GEAR COMP., OIL PUMP .....                          | 1          | -          | -          | 15140-Z6L-000   |                      |
|           | 13       | 16510-Z6L-010   | GOVERNOR ASSY. ....                                 | 1          | -          | -          | 16510-Z6L-000   |                      |
|           | 14       | 16511-Z6L-310   | WEIGHT, GOVERNOR .....                              | 3          | -          | -          | 16511-Z6L-300   |                      |
|           | 15       | 16512-Z6L-310   | HOLDER, GOVERNOR WEIGHT .....                       | 1          | -          | -          | 16512-Z6L-300   |                      |
| E-7       | 2        | 13310-Z6L-600   | CRANKSHAFT COMP. (L=162) .....                      | 1          | -          | -          |                 | TXA2                 |
|           | 4        |                 | CRANKSHAFT COMP. ....                               | 0          | -          | -          | 13310-Z6L-620   | TXA2                 |
| E-12      | 2        |                 | COVER COMP., FAN<br>*NH1*..... BLACK                | 0          | -          | -          | 19610-Z6L-000ZB | QDP2                 |
|           |          | 19610-Z6L-000ZB | *NH1*..... BLACK                                    | 1          | -          | -          |                 | VXD2                 |
| E-14      | 7        | 16100-Z9E-851   | CARBURETOR ASSY. (BK07G A) ...                      | 1          | -          | -          | 16100-Z9E-861   | VXD2                 |
| E-28      | 1        | 87516-ZH7-010   | MARK, OPERATOR CAUTION<br>(ENGLISH) (MADE IN JAPAN) | 1          | -          | -          | 87519-ZH7-000   | TXA2                 |
|           | 4        |                 | WRENCH, BOX (P16X17) .....                          | 0          | -          | -          | 99004-16170     | TXA2                 |
|           |          | 99004-16170     | .....   | 1          | -          | -          |                 | VXD2                 |
| E-40      | 2        |                 | HOLDER, CABLE .....                                 | 0          | -          | -          | 16617-Z6L-000   | QDP2                 |
| E-40-1    | 1        |                 | MARK, OPERATOR CAUTION<br>(ENGLISH) (MADE IN JAPAN) | 0          | -          | -          | 87516-ZH7-010   | TXA2                 |
|           | 3        | 87519-ZH7-000   | MARK, OPERATOR CAUTION<br>(PICTOGRAPH)              | 1          | -          | -          |                 | TXA2                 |



# PARTS CATALOGUE NEWS

Honda Motor Co., Ltd. Service Division

## PARTS CATALOGUE - CORRECTED

Printed in Japan

|                      |                            |
|----------------------|----------------------------|
| CODE NO.             | 13Z9EA01                   |
| PARTS CATALOGUE NEWS | GX630R<br>GX660R<br>GX690R |
| NEWS NO.             | 007                        |

| Block No. | Ref. No. | Note | Part No.       | Description            | Reqd. QTY |         |         | Serial No. | Parts catalogue code |
|-----------|----------|------|----------------|------------------------|-----------|---------|---------|------------|----------------------|
|           |          |      |                |                        | GX 630R   | GX 660R | GX 690R |            |                      |
| E-22      | 17       | E    | 93500-05045-0A | *PARTS NO. DELETION    |           |         |         |            |                      |
|           |          | D    | 93500-05040-0A | SCREW, PAN, 5X40 ..... | 1         | 1       | 1       | -----      | -----                |
|           | 18       | E    | 93500-05040-0A | *PARTS NO. DELETION    |           |         |         |            |                      |
|           |          | D    | 93500-05045-0A | SCREW, PAN, 5X45 ..... | 1         | 1       | 1       | -----      | -----                |

NOTE A:PART NO. CHANGE D:NEWLY PROVIDED E:PART NO.DELETION K:REQUIRED NO. CORRECTION L:APPLICATION SERIAL NO. CORRECTION  
T:APPLICATION CORRECTION Z:REMARKS CHANGE