

## Features

### Honda GX160 Engine

You expect the best; you get the best. The GX160 lives up to the reputation of superior reliability and performance you expect from Honda.

### Low Oil Protection

In the event there is low oil level, the engine will shut down, and protect the engine from damage.

### Powder Coat Paint

For an incredibly durable finish.

### Sturdy Wrap-Around Welded Tubular Cradle

We use 14 gauge steel for dependable durability.

### Oversized Generator End

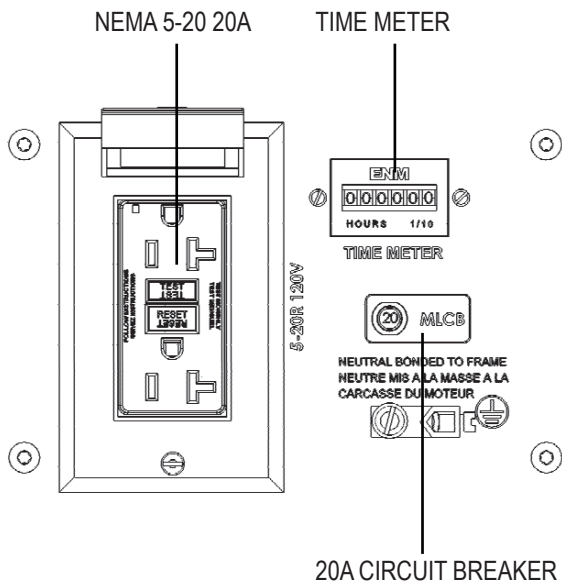
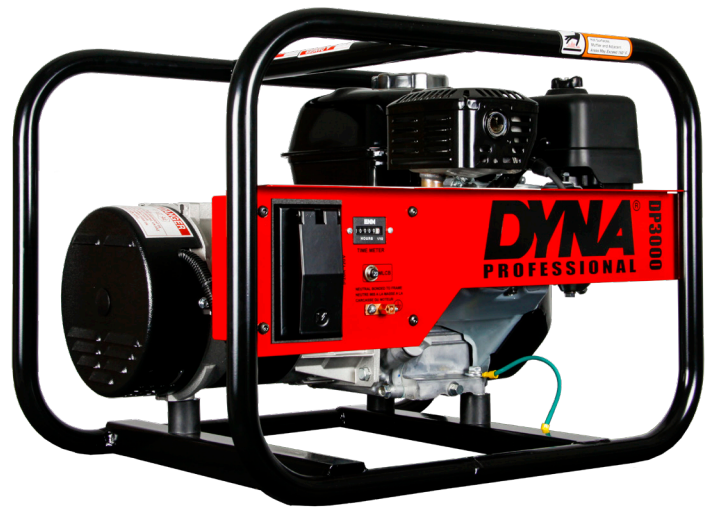
We oversized the generator end to improve small motor starting.

### 100% Load Tested

You won't find statistical sampling here. We load test every generator before it leaves our facility.

## DYNA PROFESSIONAL

**3,000 Starting Watts**  
**2,500 Running Watts**



## Optional Accessories

### Plug-In Line Voltage Monitor

For when you want to verify the voltage output.

### Maintenance Kit

Keep the engine at its peak performance to ensure the generator will be ready when needed most.

## DP3000

STARTING WATTS	3,000
RUNNING WATTS	2,500
RUNNING AMPS @120 VAC	20.8
VOLTAGE REGULATION	CAPACITOR +/-5%
FREQUENCY REGULATION	+/-3%
MAIN CIRCUIT BREAKER	20 AMP
BONDED NEUTRAL	YES
120 VOLT RECEPTACLES	NEMA 5-20 20A (GFCI)
GENERATOR WARRANTY <sup>(1)</sup>	3 YRS COMMERCIAL

NOTES: (1) For generator warranty information contact your local WINCO dealer.

## GENSET

MOTOR STARTING (CODE G) <sup>(1)</sup>	1 HP
SOUND DATA <sup>(2)</sup> FULL LOAD	74
LIFTING EYE	NO
PROTECTIVE ROLL FRAME	14 GAUGE STEEL
ASSEMBLED IN	USA
EPA APPROVED	YES
CARB APPROVED	YES
CSA APPROVED	NO
UNIT WARRANTY <sup>(3)</sup>	3 YRS COMMERCIAL

NOTES: (1) Code G capacitor start motor. (2) All measurements are in db(a). Tested at 7 meters (23 ft.). (3) For more generator warranty information contact your local WINCO dealer.

## ENGINE

ENGINE BRAND	HONDA
ENGINE MODEL	GX160 OHV
ENGINE STARTER	RECOIL
ENGINE SPEED	3600 RPM
ENGINE CYLINDERS	SINGLE
DISPLACEMENT/TYPE	160 CC / OHV
LOW OIL PROTECTION	STANDARD
RECOMMENDED OIL	10W-30
OIL CAPACITY <sup>(1)</sup>	0.6 QT
FUEL TANK	1 GAL
FUEL GAUGE	NO
FULL LOAD RUN TIME	2.2 HRS/GAL
TIME METER	YES
ENGINE WARRANTY <sup>(3)</sup>	3 YRS COMMERCIAL

NOTES: (1) The recommended oil is for normal applications. See operator's manual for the recommended oil for your needs. (2) Code G capacitor start motor. (3) Contact your local Honda service center for engine warranty assistance.

## DIMENSIONS

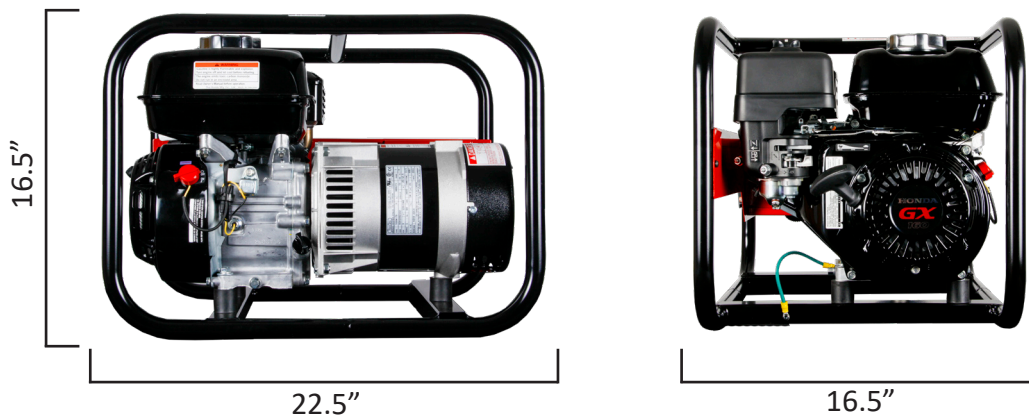
DIMENSIONS	22.5" x 16.5" x 16.5"
NET WEIGHT	96 LBS

NOTES: Dimensions are L x W x H

## SHIPPING

SHIPPING DIMENSIONS	24" x 18" x 19"
SHIP WEIGHT	104 LBS
FREIGHT CLASS	70

NOTES: Dimensions are L x W x H



Specifications are subject to change without notice.