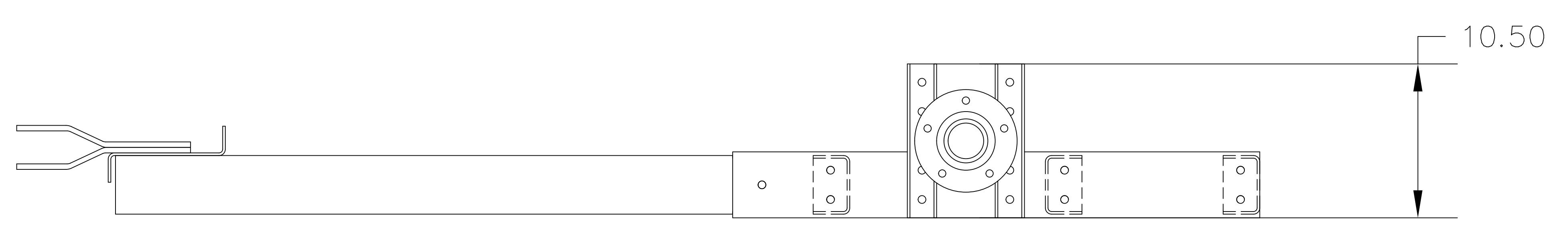
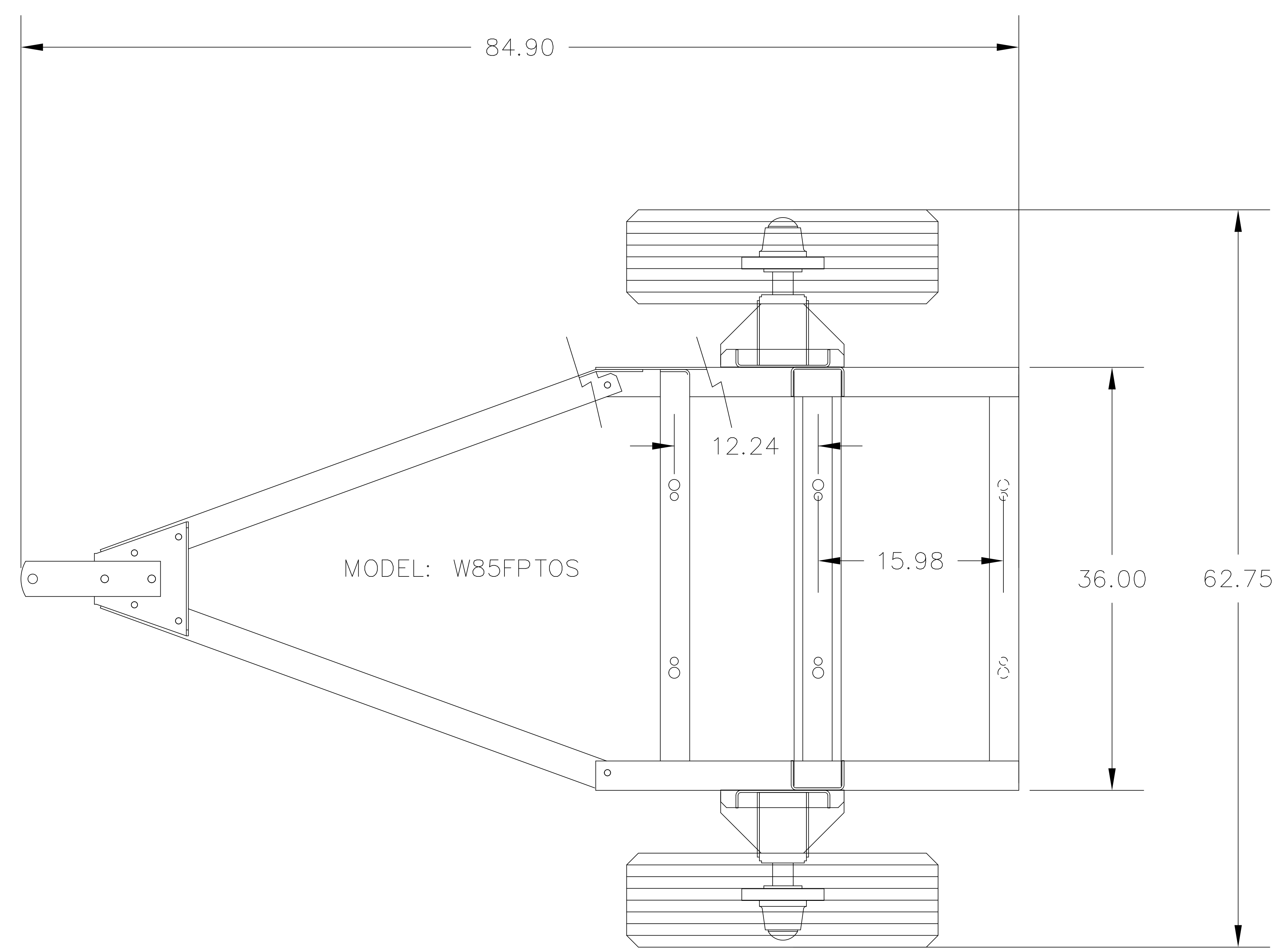
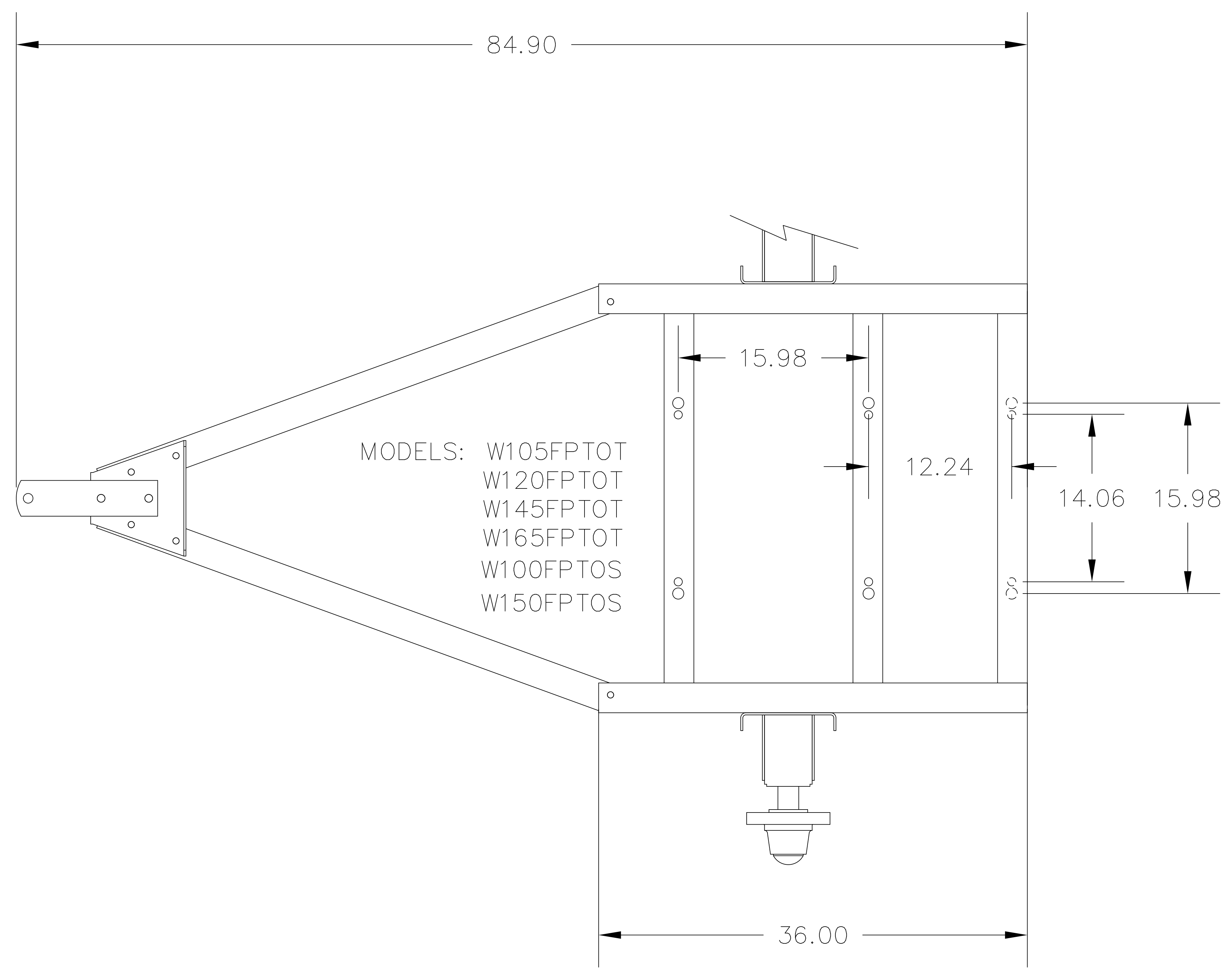


TDM74-900



UNLESS OTHERWISE SPECIFIED		MACHINED SURFACE TEXTURE	ALL DIMENSIONS GIVEN IN INCHES						
FRACTIONS ± —			ANGULAR ± 1.5°	WORK TO DIMENSIONS					
1. PLACE DEC. ± .1				— DO NOT SCALE —					
2. PLACE DEC. ± .015			DRAWN BY	DATE	CH'KD BY	DATE	APP'D BY	DATE	SCALE
3. PLACE DEC. ± .005			DJR	4/22/13					
THIS DRAWING CONTAINS PROPRIETARY INFORMATION BELONGING TO WINPOWER. UNAUTHORIZED USE IS PROHIBITED.			MATERIAL:						
			FINISH		TITLE				
			ASS'Y		TRAILER, PTO				
			MODEL		LARGE PTO'S		PART NO.		
			WINPOWER		TDM74-900				