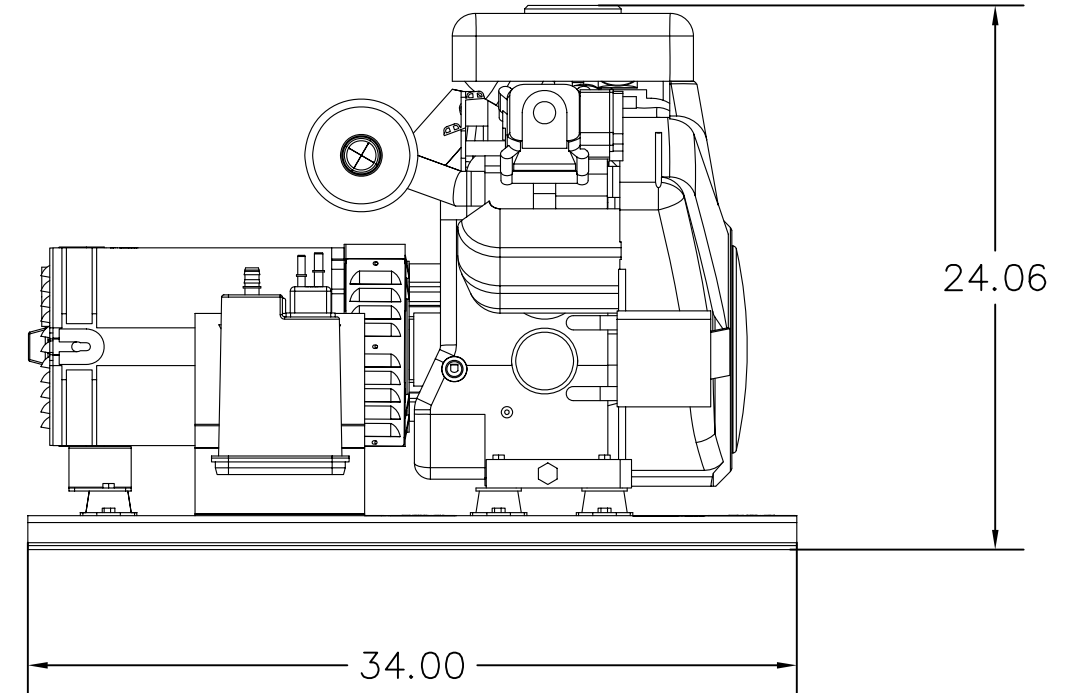
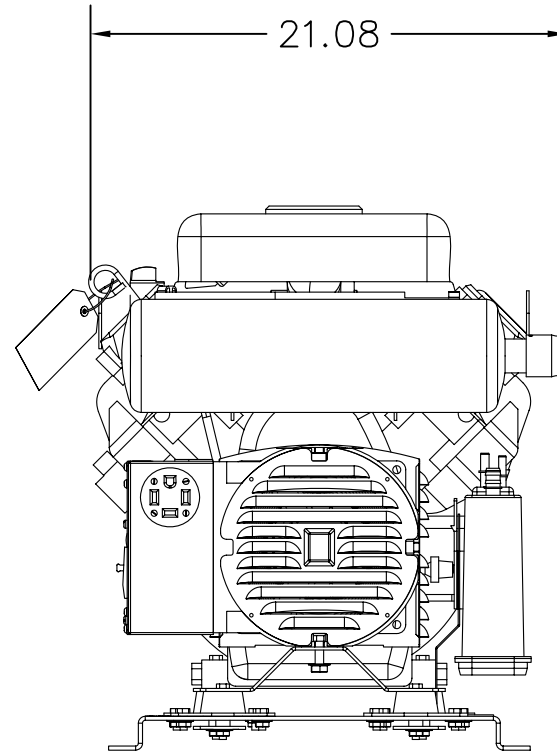
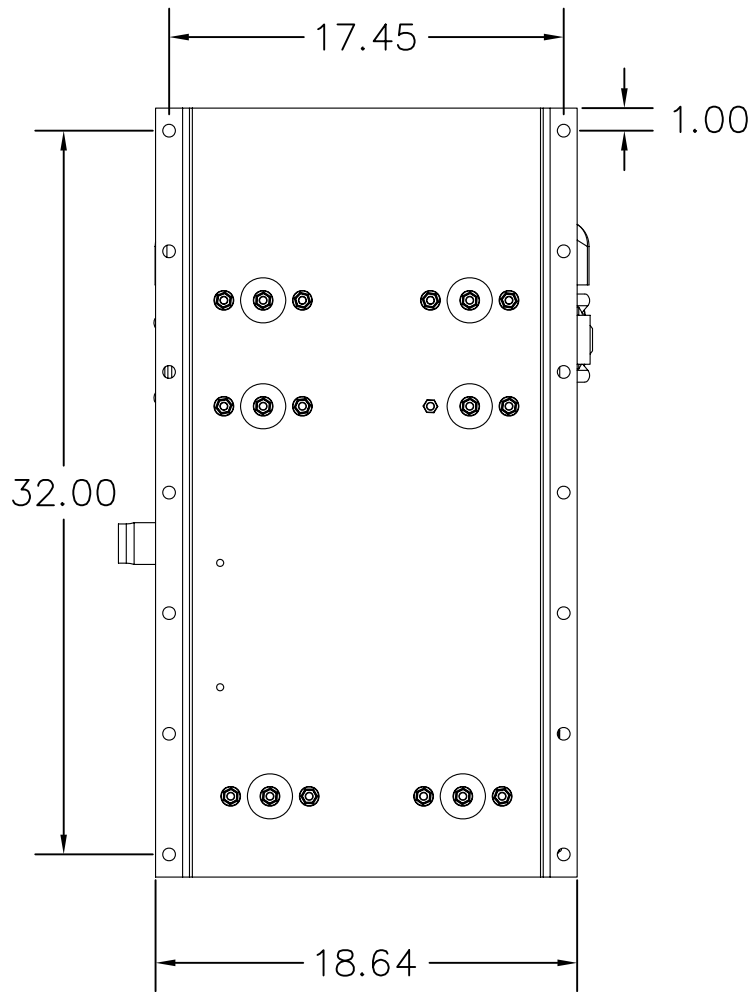


006-81061

REVISION RECORD

ISSUE	E.C.O. NO.	DESCRIPTION	DATE	BY	APPR.
1	---	ORIGINAL	8/3/12	DJR	



MODEL: EC18000VE/D

UNLESS OTHERWISE SPECIFIED		MACHINED SURFACE TEXTURE	ALL DIMENSIONS GIVEN IN INCHES WORK TO DIMENSIONS - DO NOT SCALE -				
FRACTIONS ±			ANGULAR ± 1.5°	DRAWN BY	DATE	CH'KD BY	DATE
1. PLACE DEC. ± .1		DJR		8/3/12			
2. PLACE DEC. ± .031		MATERIAL: -----					
3. PLACE DEC. ± .005		FINISH		TITLE		SCALE	
		ASS'Y		OUTLINE DRAWING			
		MODEL EC18000VE/D		PART NO.		19018-900	

THIS DRAWING CONTAINS PROPRIETARY INFORMATION BELONGING TO WINCO, UNAUTHORIZED USE IS PROHIBITED.