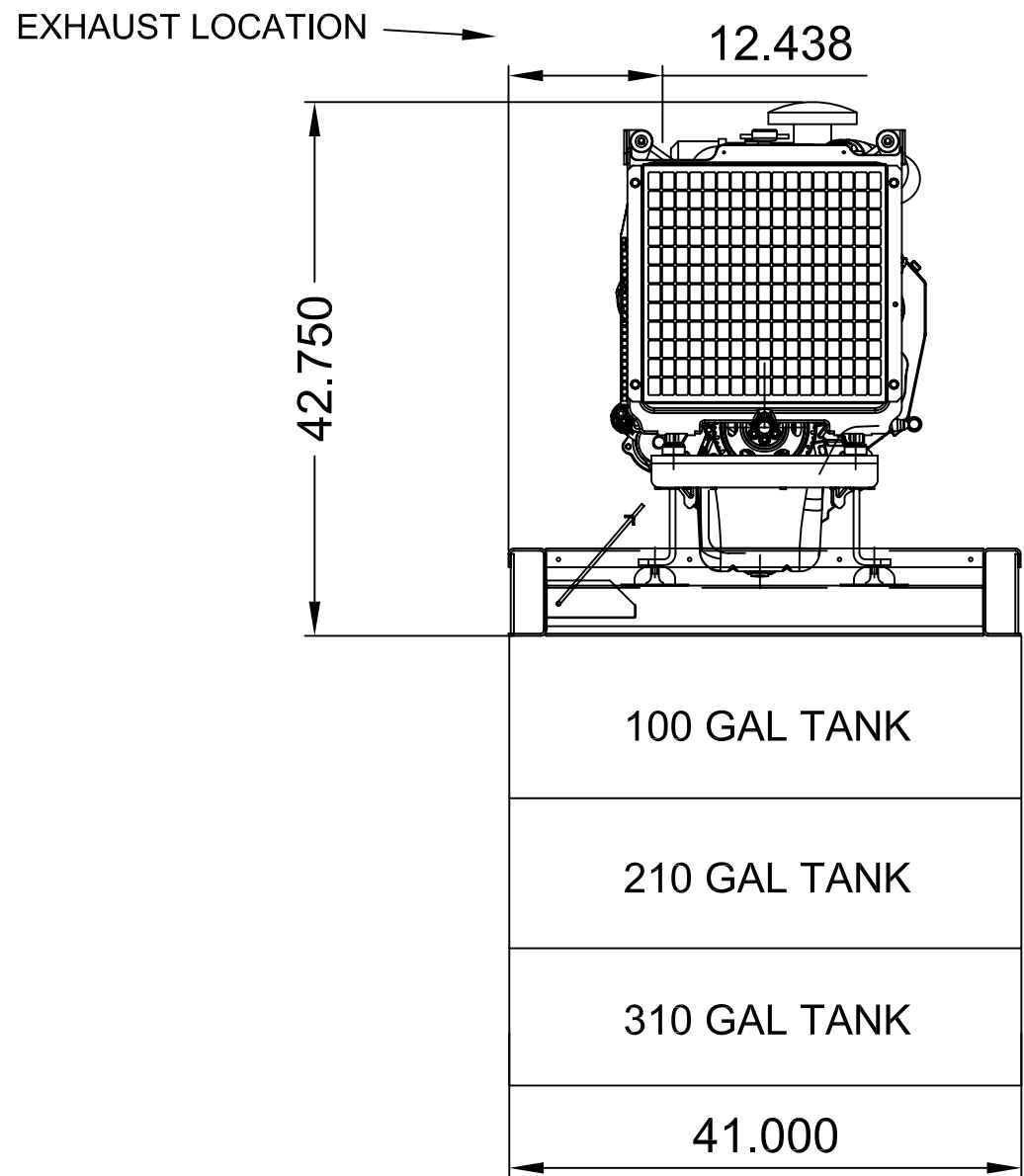
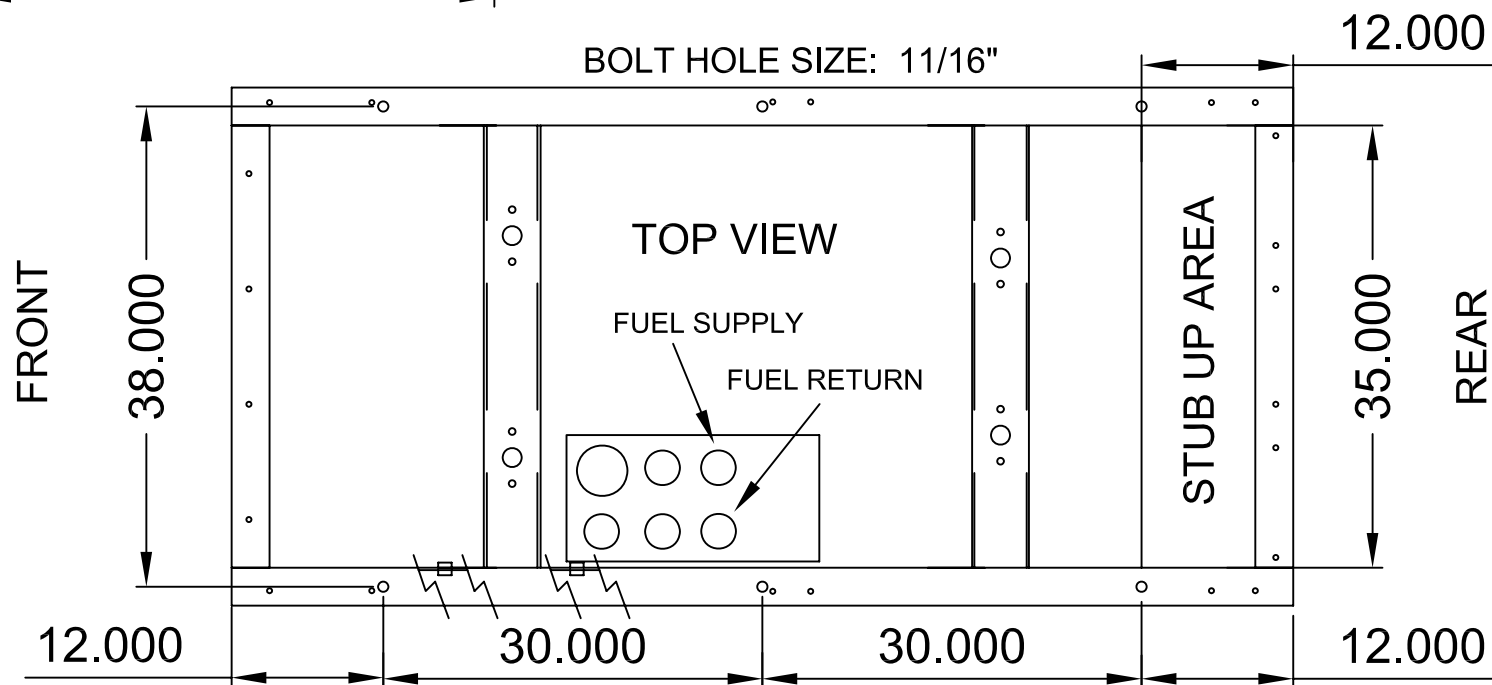
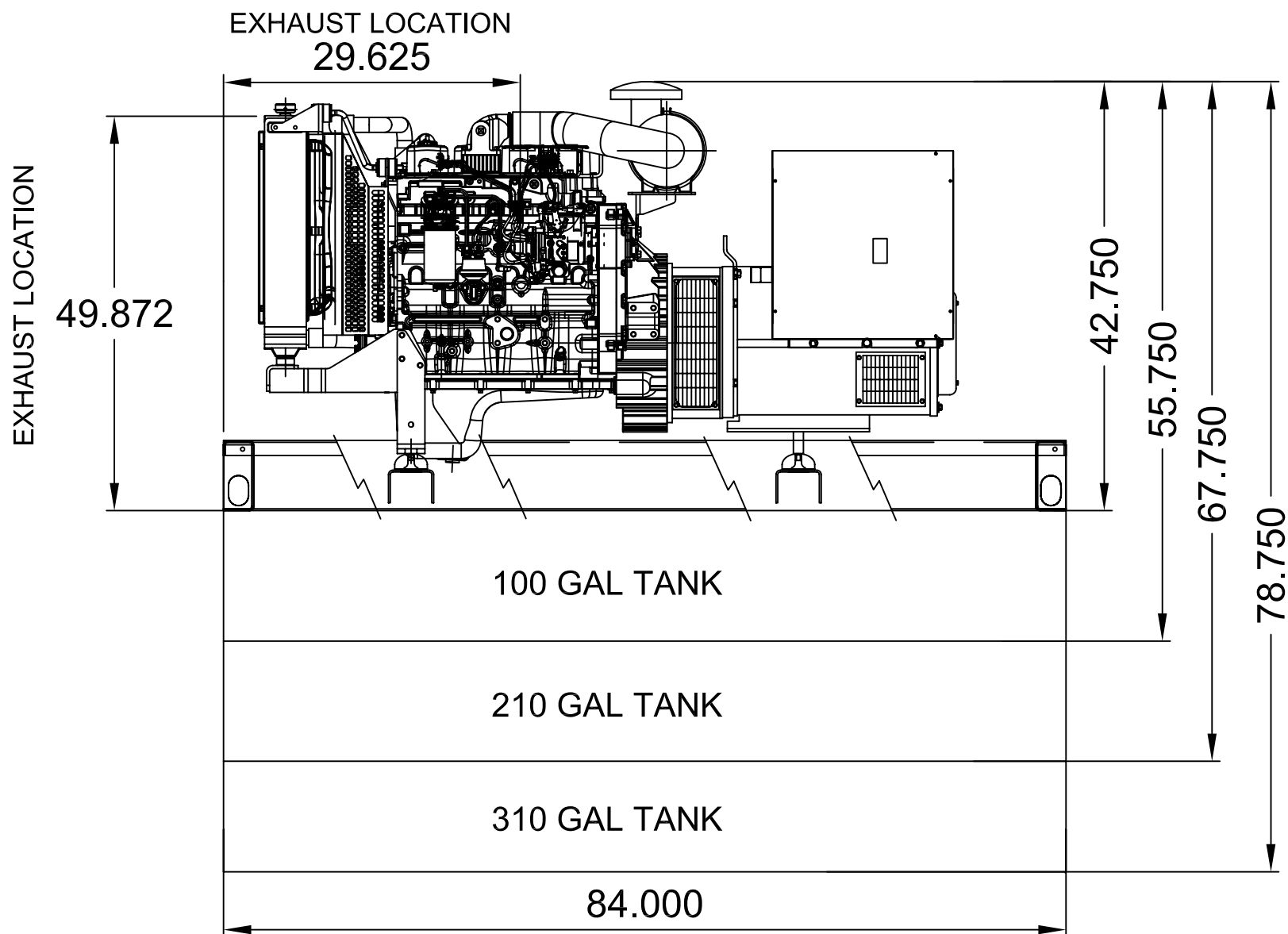


# FRONT VIEW



# LEFT SIDE VIEW



UNLESS OTHERWISE SPECIFIED		MACHINED SURFACE TEXTURE		ALL DIMENSIONS GIVEN IN INCHES WORK TO DIMENSIONS FLAT OUTSIDE VIEW SHOWN UNLESS NOTED -DO NOT SCALE-			
FRACTIONS		ANGULAR					
1 PLACE DEC.	.1	1.5					
2 PLACE DEC.	.015						
3 PLACE DEC.	.005						
	DRAWN BY	DATE	CHK'D BY	DATE	ENG APPR.	DATE	SCALE
	DJR	9/29/11			CLR	10/03/11	
THIS DRAWING CONTAINS PROPRIETARY INFORMATION BELONGING TO WINCO. UNAUTHORIZED USE IS PROHIBITED	MATERIAL:						
	FINISH:						
	ASSY:						
	MODEL:	DR4514					
			PART NO.		455045-900		REV A
				TITLE: <b>OPEN OUTLINE DRAWING</b>			