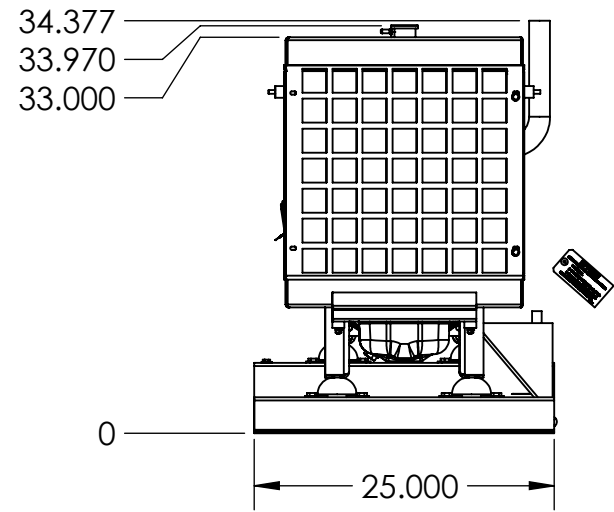
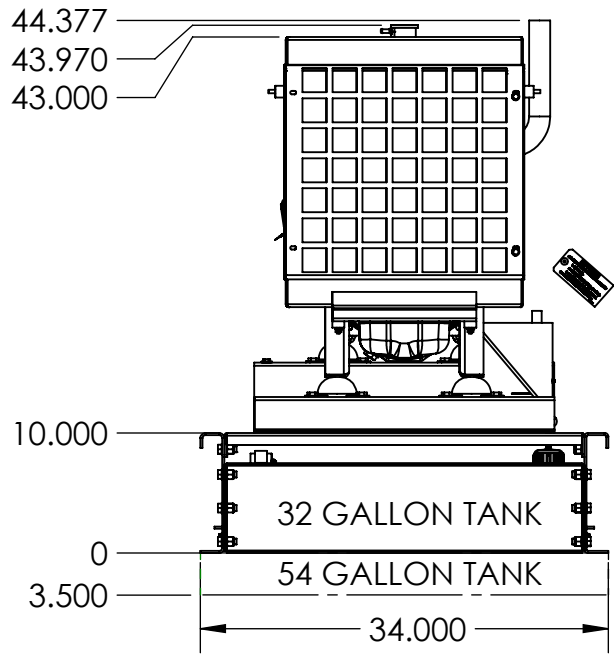
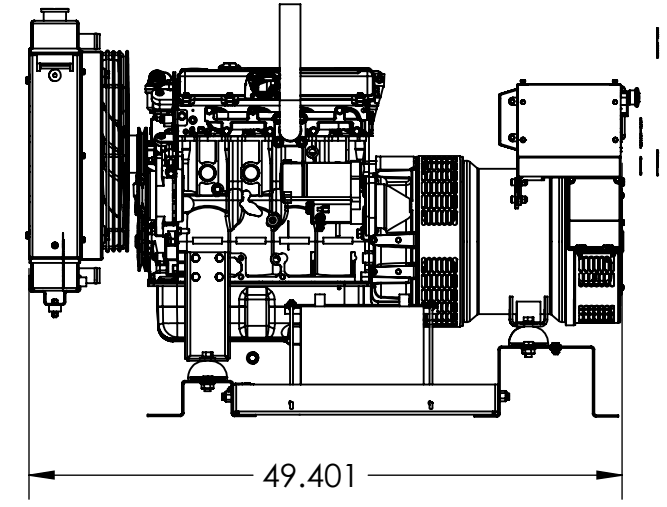
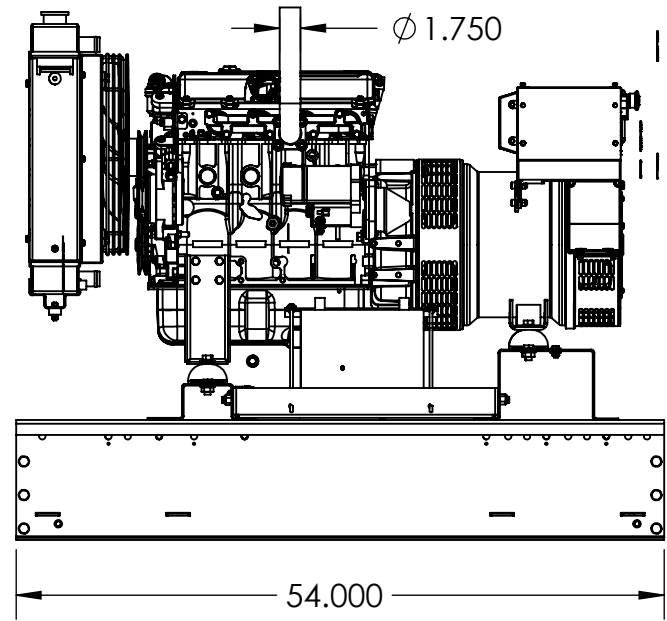


O-504

REVISION RECORD					
REV	ECO	DESCRIPTION	DATE	BY	APPR.
A	C2785	ORIGINAL	6/27/2015	DRC	SW
B	C4107	ADDED DIM FOR 54 GAL TANK	2/23/2017	SEW	DRC



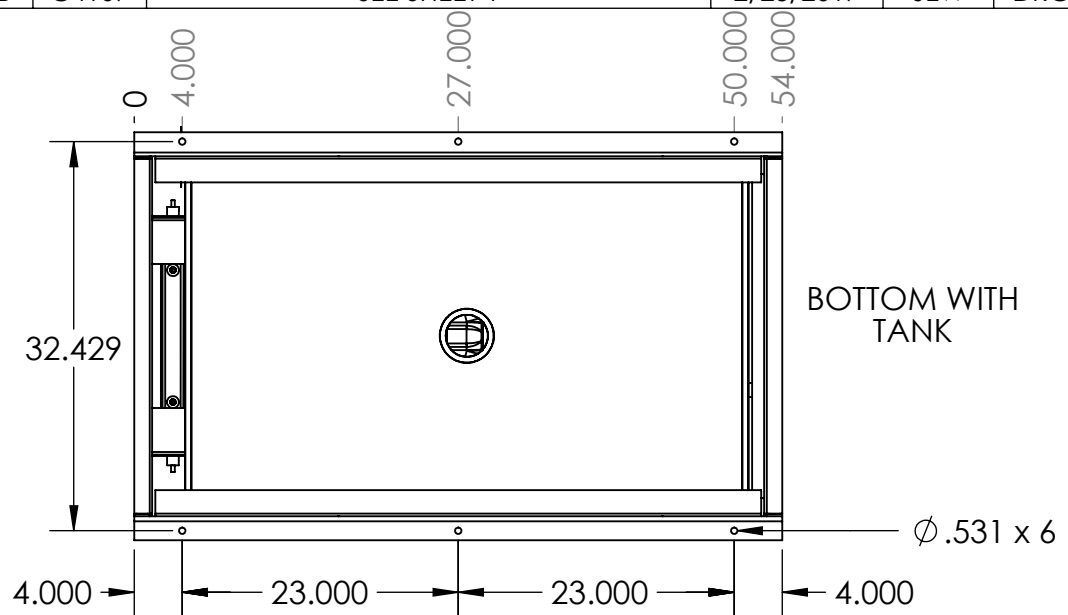
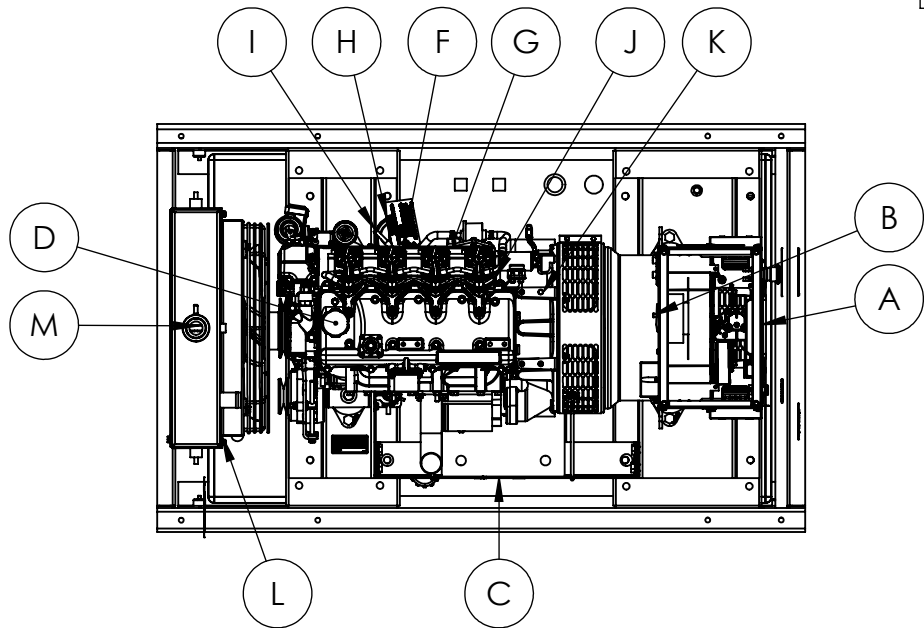
SHOWN WITHOUT 32 GALLON TANK



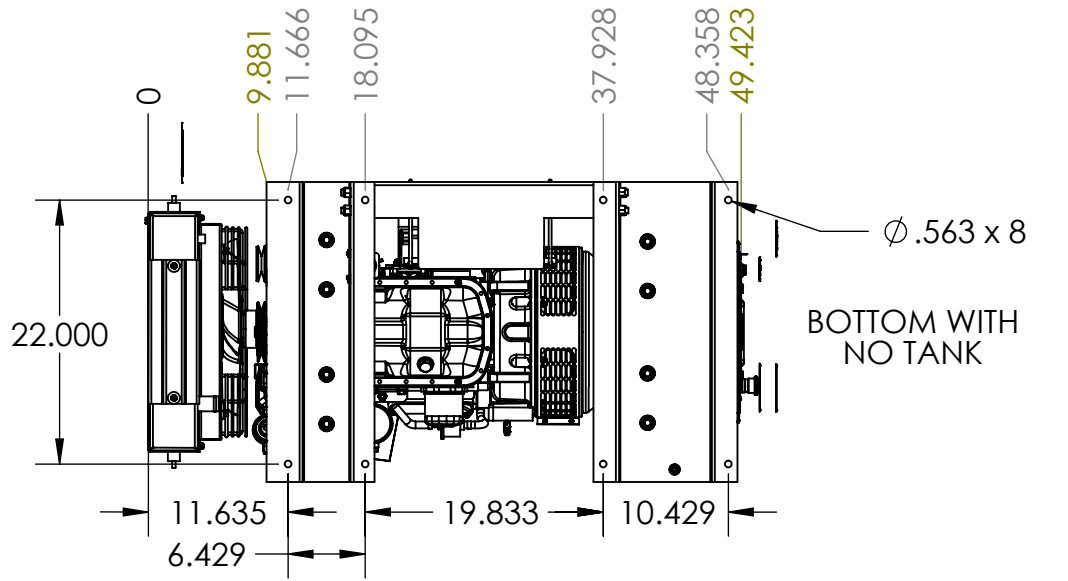
	DRAWN BY DRC	DATE 6/27/2015	CHK'D BY	DATE	ENG APPR. SW	DATE 7/7/2015
	TOLERANCE: +/- 0.0625 DECIMAL +/- 1 DEG ANGULAR		TITLE: OUTLINE DRAWING DE20			
MODEL: DE20				PART: O-504 1 OF 2		
THIS DRAWING CONTAINS PROPRIETARY INFORMATION BELONGING TO WINCO. UNAUTHORIZED USE IS PROHIBITED. ALL DIMESNIONS INCH						

O-504

REVISION RECORD					
REV	ECO	DESCRIPTION	DATE	BY	APPR.
A	C2785	ORIGINAL	6/27/2015	DRC	SW
B	C4107	SEE SHEET 1	2/23/2017	SEW	DRC



KEY COMPONENTS	
A	ENGINE CONTROL
B	MAIN LINE CIRCUIT BREAKER
C	START BATTERY
D	OIL FILL
E	OIL DRAIN (NOT SHOWN)
F	OIL DIPSTICK
G	OIL FILTER
H	FUEL FILTER
I	FUEL IN (5/16" FITTING)
J	FUEL RETURN (1/4" FITTING)
K	AIR FILTER
L	COOLANT DRAIN
M	COOLANT FILL



	DRAWN BY	DATE	CHK'D BY	DATE	ENG APPR.	DATE
	DRC	6/27/2015			SW	7/7/2015
THIS DRAWING CONTAINS PROPRIETARY INFORMATION BELONGING TO WINCO. UNAUTHORIZED USE IS PROHIBITED. ALL DIMENSIONS INCH	TOLERANCE:	+/- 0.0625 DECIMAL +/- 1 DEG ANGULAR		TITLE: OUTLINE DRAWING DE20		
	MODEL:	DE20		PART: O-504 2 OF 2		