

Parts Manual

STAMFORD Alternator Range

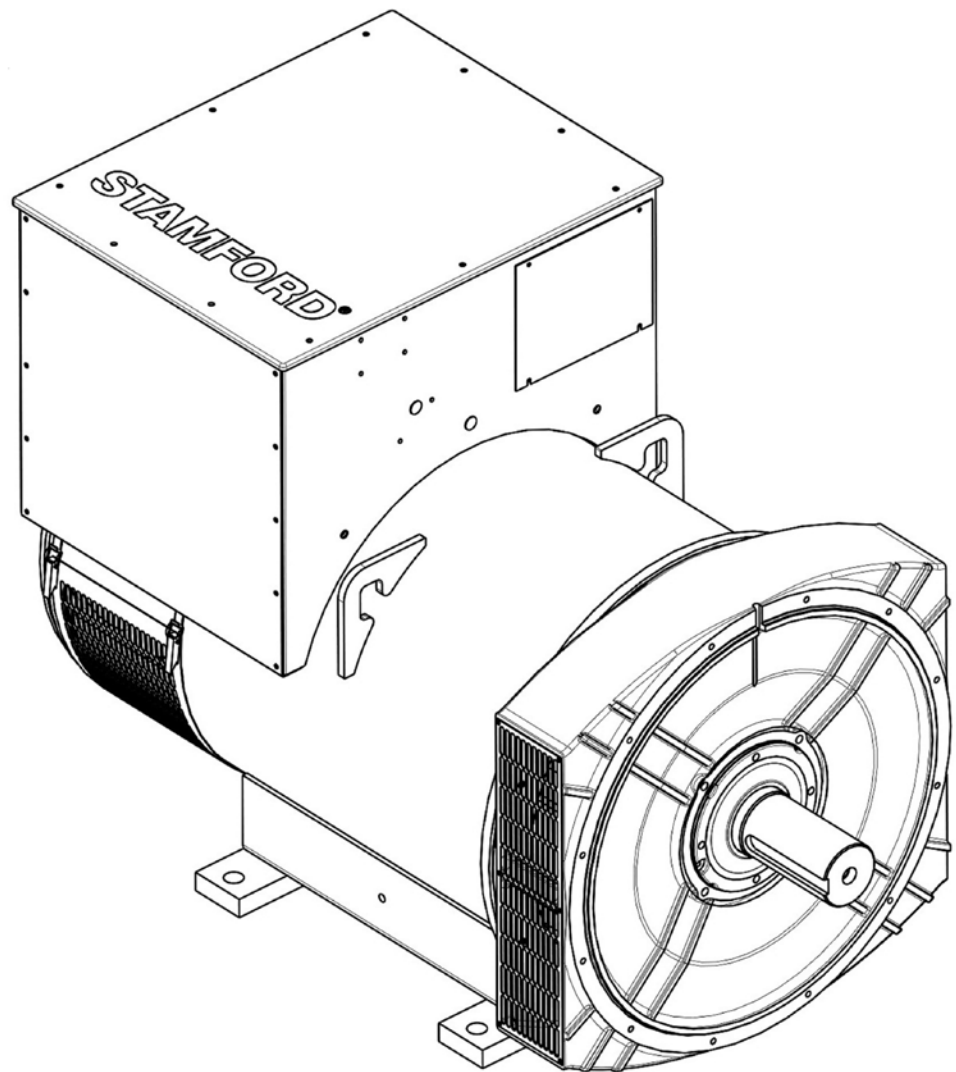


Table of Contents

Description	Page
About This Manual	3
Quick Serve Online (QSOL)	4
Model Identification	5
Abbreviations	6
Planned Maintenance Kits	7
P0 – 1 Bearing	8
P1 – 1 Bearing	16
P1 – 2 Bearing	20
S0L1 – 1 Bearing	24
S0L2 – 1 Bearing	28
S1L2 – 1 Bearing	32
BCA162 & BCI162 1 Bearing (2 Pole)	36
BCA162 & BCI162 2 Bearing (2 Pole)	40
BCA164 & BCI164 1 Bearing (4 Pole)	44
BCA164 & BCI164 A To E 2 Bearing (4 Pole)	48
BCL164 & 184 A – F 1 Bearing (4 Pole)	50
BCA182 & BCI182 H TO K 1 Bearing (2 Pole)	52
BCA182 & BCI182 H TO K 2 Bearing (2 Pole)	56
BCI184 1 Bearing (4 Pole)	58
BCI184 2 Bearing (4 Pole)	62
UCD22–27 1 Bearing (4 Pole)	66
UCI224 – 1 Bearing	70
UCI224C to G – 2 Bearing (4 Pole)	74
UCI274C to H 1 Bearing	78
UCI274C to H 2 Bearing (4 Pole)	82
HC434C to F – 1 Bearing	86
HC434C to F – 2 Bearing	90
S4 – 1 Bearing	94
S4 – 2 Bearing	98
S4 – 1 Bearing (Dedicated)	102
HC534C to F – 1 Bearing Ser 3 & 4	106
HC534C to F – 2 Bearing Ser 3 & 4	110
HC634G to K – 1 Bearing (Ser 3)	114

Table of Contents (continued)

Description	Page
HC634G to K – 2 Bearing (Ser 3)	118
HC734E to H 1 Bearing (Ser 3)	122
HC734E to H 2 Bearing (Ser 3)	126
P7 A to G – 1 Bearing	130
P7 A to G – 2 Bearing	134
Frame 8 Mk2 1 Bearing	138
Frame 8 Mk2 2 Bearing	140
P80 – 1 Bearing	142
P80 – 2 Bearing	144
ACCESSORIES	148

About This Manual

This manual applies to Cummins Generator Technologies Alternators. Each part illustrated is identified by a reference number corresponding to the list of part numbers in the accompanying table.

Alternator parts that have been modified or added by Cummins Power Generation are identified in this manual. Contact your nearest authorized distributor for assistance in ordering replacement parts. All other replacement parts must be ordered from the alternator manufacturer by referring to the item nameplate and supplying all available information.

Alternator Model	Alternator Model
P0	BCI184
P1	UCD22-27
S0L1	UCI224
S0L2	UC127
S1L2	HC434
S4	HC534
BCA162 & BCI162	HC634
BCL164 & 184	HC734
BCA182 & BCI182	P7
BCI184	P80

Alternator Parts:

Replacement parts not identified in this manual can be ordered by contacting your nearest dealer, to find your nearest dealer please go to:

www.stamford-avk.com

For any technical enquiries please contact
Cummins Generator Technologies Ltd
+44(o)1780 484732

email to: emea.service@cummins.com

Quick Serve Online (QSOL)

Documentation pertaining to the alternator are available on QuickServe Online.

QuickServe Online: <https://quickserve.cummins.com/info/index.html>

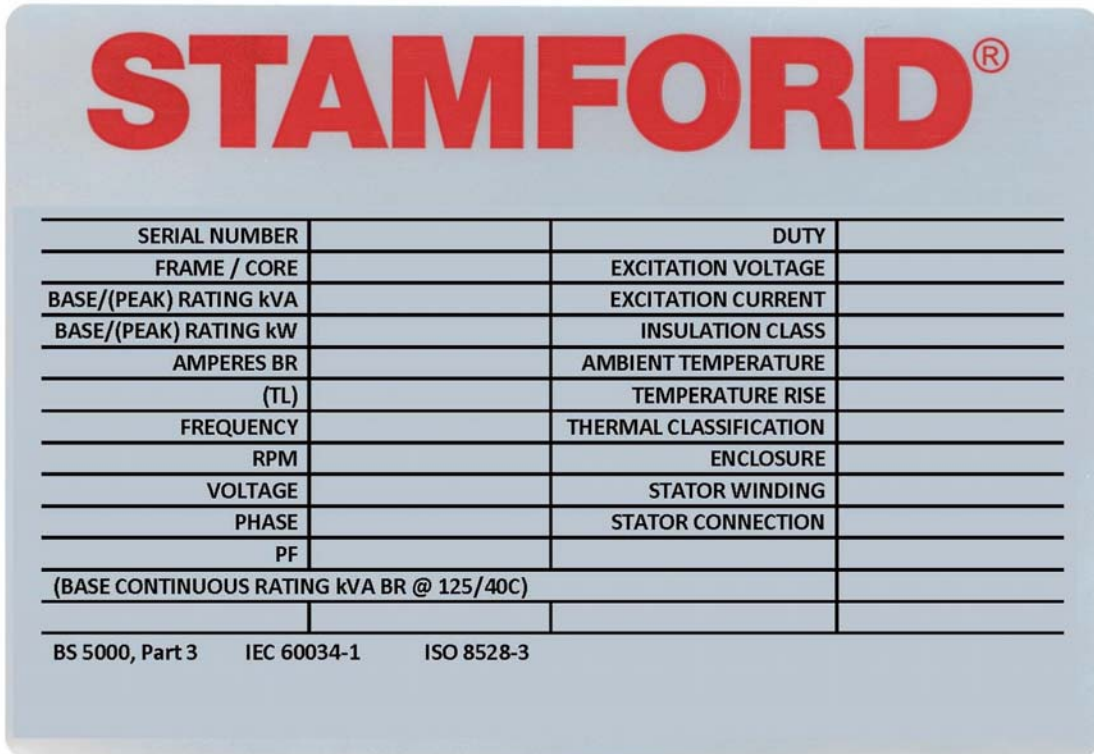
The information contained within this manual is based on information available at the time of going to print. In line with Cummins Generator Technologies policy of continuous development and improvement, information may change at any time without notice. Obtain the most up to date version available on QuickServe Online or contact your authorized distributor for assistance.

If further information is required, contact your authoursed distributor.

Model Identification

This manual covers alternator models produced under the Cummins Generator Technologies brand names. To avoid errors or delay in filling your parts order, always state the MODEL and SERIAL NUMBER from the Alternator nameplate.

The alternator serial number is located on a data tag on the alternator.



STAMFORD®

SERIAL NUMBER		DUTY	
FRAME / CORE		EXCITATION VOLTAGE	
BASE/(PEAK) RATING kVA		EXCITATION CURRENT	
BASE/(PEAK) RATING kW		INSULATION CLASS	
AMPERES BR		AMBIENT TEMPERATURE	
(TL)		TEMPERATURE RISE	
FREQUENCY		THERMAL CLASSIFICATION	
RPM		ENCLOSURE	
VOLTAGE		STATOR WINDING	
PHASE		STATOR CONNECTION	
PF			
(BASE CONTINUOUS RATING kVA BR @ 125/40C)			
BS 5000, Part 3 IEC 60034-1 ISO 8528-3			

For reference document your alternator information in the spaces below.

Alternator Model Number: _____

Abbreviations

Some of the following abbreviations may be used throughout this Parts Manual:

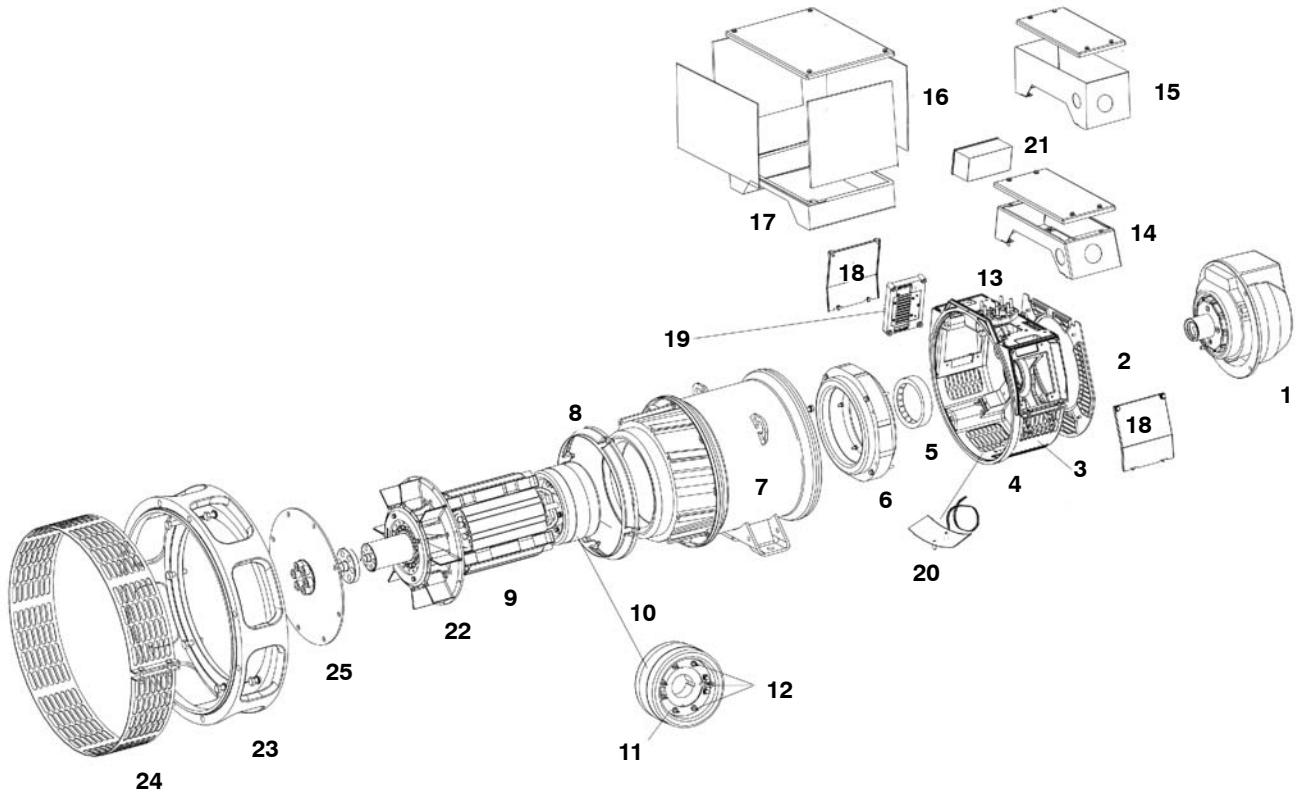
A.V.R	Automatic Voltage Regulator
E.B.S	Excitation Boost System
D.E.	Drive End
N.D.E	Non Drive End
P.M.G	Permanent Magnet Generator
Q.M.S.N	Quote Manufacturer Serial Number
S.A.E.	Society of Automotive Engineers

Planned Maintenance Kits

For the 30,000 hour service interval, we recommend replacing several components in order to optimise the alternator's performance. These components are contained in the kits detailed below, for each alternator type. Kit's contain bearings, bearing assembly components, where necessary and rectifier service kits.

New Kit Description (Bearing Type)	New Kit Number	Qty per Machine
S1/P0/P1 – 1 BRG 30,000HR SER KIT	A051C107	1
P0/P1 – 2 BRG 30,000HR SER KIT	A051C115	1
S0 – 1 BRG 30,000HR SER KIT	A054N489	1
UC22 – 1 BRG 30,000HR SER KIT	A051C212	1
UC22 – 2 BRG 30,000HR SER KIT	A051C216	1
HC4/S4 – 1 BRG 30,000HR SER KIT	A051C225	1
HC4/S4 – 2 BRG 30,000HR SER KIT	A051C230	1
HC5 – 1 BRG 30,000HR SER KIT (Sealed)	A051C232	1
HC5 – 2 BRG 30,000HR SER KIT (Sealed)	A051C234	1
HC6 – 1 BRG 30,000HR SER KIT (Sealed)	A051C237	1
HC6 – 2 BRG 30,000HR SER KIT (Sealed)	A051C243	1
P7 – 1 BRG 30,000HR SER KIT	A051C251	1
P7 – 2 BRG 30,000HR SER KIT A-E	A051C255	1
P7 – 2 BRG 30,000HR SER KIT F-G	A051C257	1
P80 – 1 BRG 30,000HR SER KIT	A051C282	1
P80 – 2 BRG 30,000HR SER KIT RST	A051C285	1
P80 – 2 BRG 30,000HR SER KIT XYZ	A051C291	1
HC5 – 1 BRG 30,000HR SER KIT (Regreaseable)	A051Z125	1
HC5 – 2 BRG 30,000HR SER KIT (Regreaseable)	A051Z131	1
HC6 – 1 BRG 30,000HR SER KIT (Regreaseable)	A051Z133	1
HC6 – 2 BRG 30,000HR SER KIT (Regreaseable)	A051Z137	1
P7 – 1 BRG 30,000HR SER KIT (Sealed)	A051Z145	1
P7 – 2 BRG 30,000HR SER KIT (Sealed)	A051Z149	1

P0 – 1 Bearing



P0 – 1 Bearing

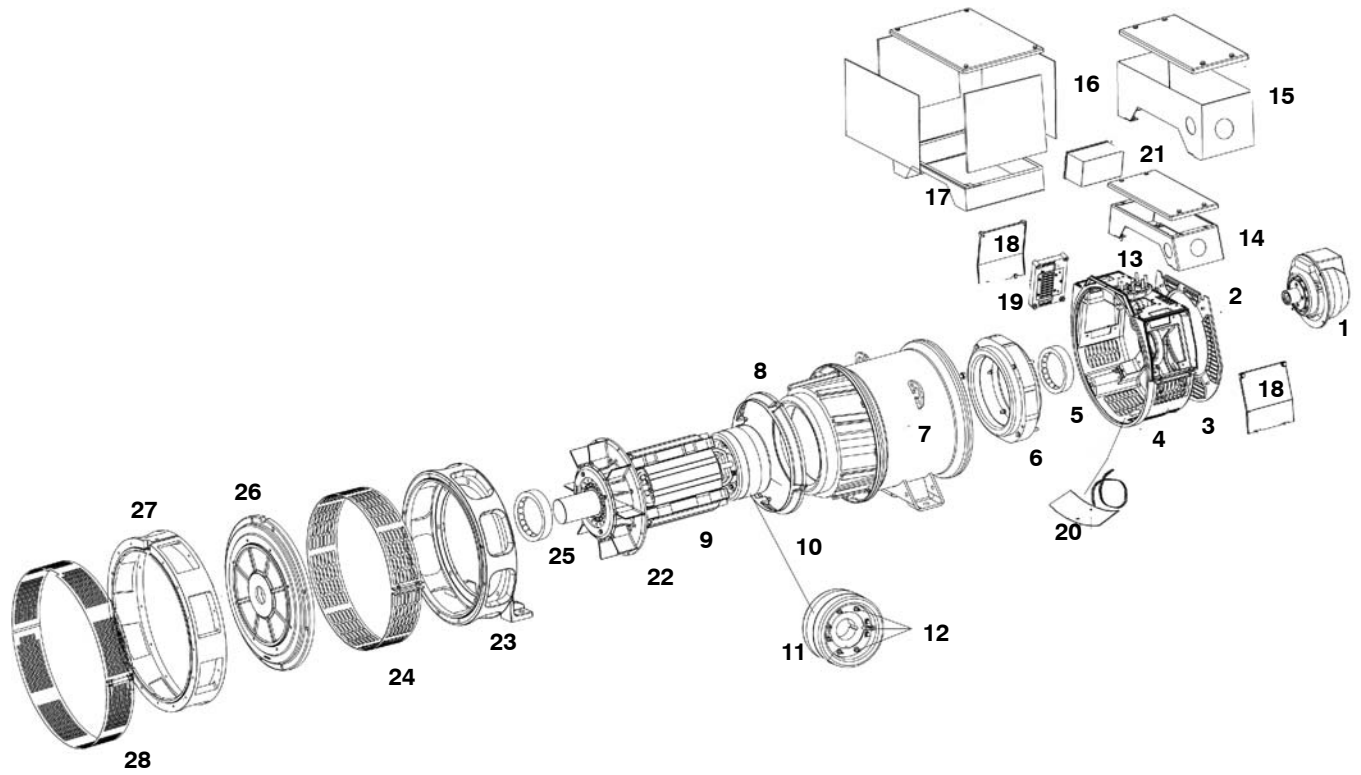
Item	Part No.	Description	Qty
1	45-1210	EBS Unit (4 Pole)	1
	E000-14831	EBS Module Only for 45-1210 & 45-1212	1
	45-1212	EBS Unit (2 Pole)	1
	45-1211	EBS Unit (Cummins PCC 1302 – 4 Pole)	1
	E000-14851	EBS Module Only for 45-1211 & 45-1213	1
	45-1213	EBS Unit (Cummins PCC 1302 – 2 Pole)	1
2	191-10061	N.D.E Cover for use with EBS	1
	191-10045	N.D.E Cover for use without EBS (Not Shown)	1
3	190-10018	N.D.E Endbracket Bottom Cover	1
4	190-10025	N.D.E Endbracket	1
5	45-0866	Bearing Kit	1
6	190-1038	Exciter Stator 20mm (D, E & F)	1
	190-1039	Exciter Stator 25mm (G & H)	1
7	*	Stator Frame Assembly	1
8	191-10091	Air Flow Baffle	1
9	*	Rotor Shaft Assembly	1
10	190-1040	Exciter Rotor 20mm (D, E & F)	1
	190-1041	Exciter Rotor 25mm (G & H)	1
	A052F554	Exciter Rotor 20mm (D, E & F) Severe Environmental	1
	A052F650	Exciter Rotor 25mm (G & H) Severe Environmental	1
11	45-0427	Rotating Rectifier Assembly	1
12	RSK-1101	Diode Fwd/Rev & Varistor Kit	1
13	191-10057	Terminal, Board	1
14	45-1165	Standard Terminal Box Kit (D)	1
15	45-1206	Tall Terminal Box Kit	1
16	45-1166	Large Terminal Box Kit	1
17	45-1175	Terminal Box Plinth (Included in Item 16)	1
18	190-10027	A.V.R Cover	2
19	E000-14808/1P	A.V.R AS480 UL Approved Only Supplied	1
20	45-1161	Heater Kit 230V	1
	A040G608	Heater Kit 230V to Include Terminal Box for Retrofit	1
	45-1162	Heater Kit 115V	1
	A040G612	Heater Kit 115V to Include Terminal Box for Retrofit	1
	45-1163	Heater Kit 24V	1
	A040G614	Heater Kit 24V to Include Terminal Box for Retrofit	1
	45-1164	Heater Kit 12V	1
	A040G618	Heater Kit 12V to Include Terminal Box for Retrofit	1
21	45-1205	Heater Terminal Box for Retrofit Not Included in Heater Kits (Item 20)	1
22	191-10042	Fan	1
23	45-1190	Adapter Kit SAE 2	1

P0 – 1 Bearing (Continued)

Item	Part No.	Description	Qty
	45-1191	Adapter Kit SAE 3	1
	45-1192	Adapter Kit SAE 4 (D,E,F,G)	1
	45-1197	Adapter Kit SAE 4 (Spacer 28.5)	1
	45-1193	Adapter Kit SAE 5	1
	45-1195	Adapter Kit SAE 5 (Spacer 26 Wide Lister Alpha)	1
	45-1196	Adapter Kit SAE 5 (Spacer 51.5 Wide Lister Alpha)	1
	45-1194	Adapter Kit SAE 6	1
	45-1198	Adapter Kit (AIFO)	1
	45-1199	Adapter Kit (GM)	1
24	See Item 19	Adapter Screen Included in Kit	1
25	45-1170	Coupling Kit SAE 6.5 (3mm)	1
	45-1181	Coupling Kit SAE 6.5 (3mm) (For SAE6 Adaptor)	1
	45-1183	Coupling Kit SAE 6.5 (Dished Disc) AN13.3	1
	45-1185	Coupling Kit SAE 6.5 (Dished Disc) AN30.2	1
	45-1171	Coupling Kit SAE 7.5	1
	45-1209	Coupling Kit SAE 7.5 (3mm) (Special for D Core)	1
	45-1204	Coupling Kit SAE 7.5 (Kubota) (1.2mm)	1
	45-1184	Coupling Kit SAE 7.5 (Dished Disc) AN13.3	1
	45-1186	Coupling Kit SAE 7.5 (Dished Disc) AN30.2	1
	45-1188	Coupling Kit (GM Adapter Up to G)	1
	45-1172	Coupling Kit SAE 8 (3mm)	1
	45-1173	Coupling Kit SAE 10 (3mm)	1
	45-1174	Coupling Kit SAE 11.5 (3mm)	1
	45-1180	Coupling Kit Lister/Alpha (Use with 45-1195 Only)	1
		* This part number depends on your machine serial number. Contact your regional CGT technical support team.	

This page is Intentionally blank.

P0 – 2 Bearing



P0 – 2 Bearing

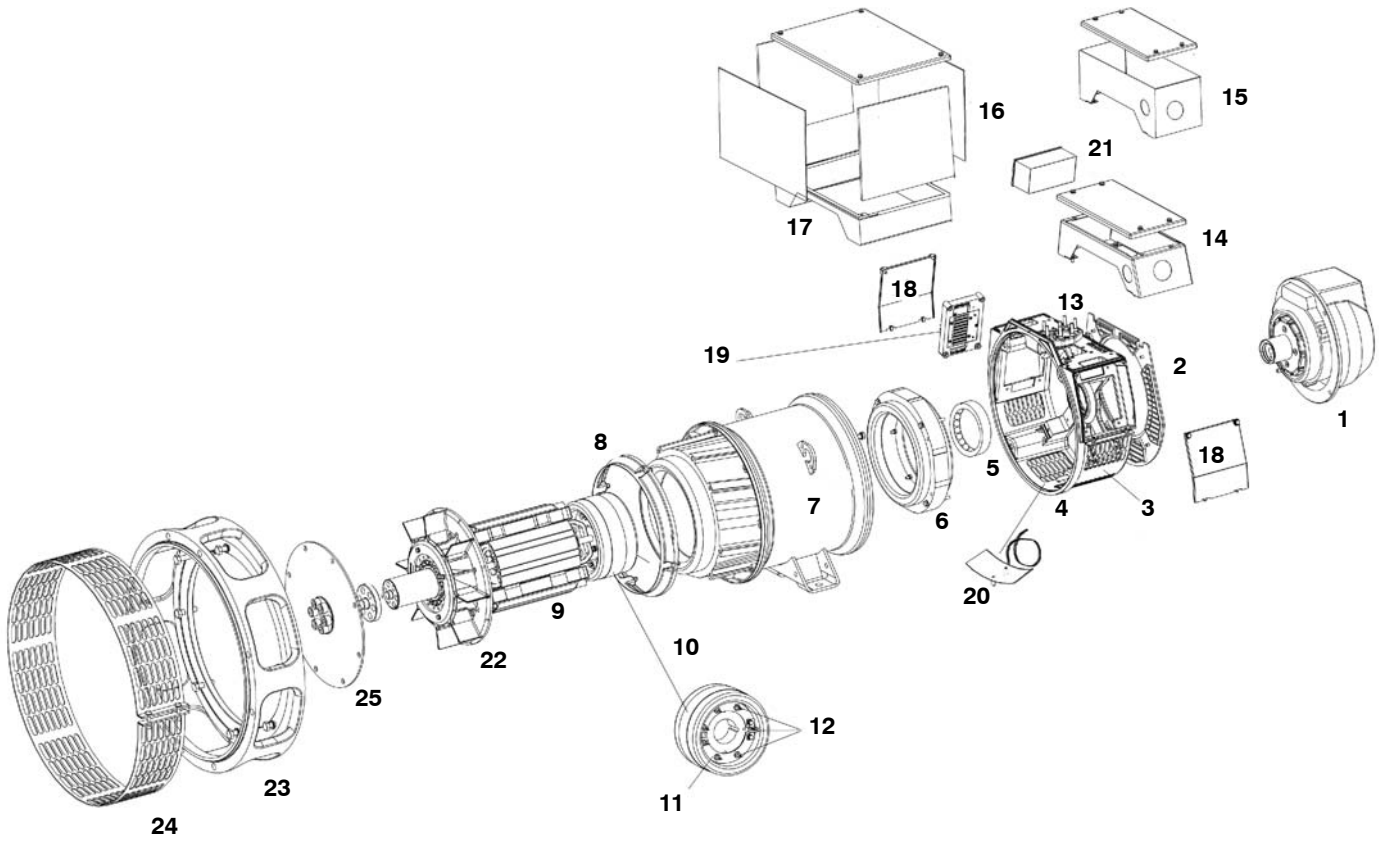
Item	Part No.	Description	Qty
1	45-1210	EBS Unit (4 Pole)	1
	E000-14831	EBS Module Only for 45-1210 & 45-1212	1
	45-1212	EBS Unit (2 Pole)	1
	45-1211	EBS Unit (Cummins PCC 1302 – 4 Pole)	1
	E000-14851	EBS Module Only for 45-1211 & 45-1213	1
	45-1213	EBS Unit (Cummins PCC 1302 – 2 Pole)	1
2	191-10061	N.D.E Cover for Use With EBS	1
	191-10045	N.D.E Cover for Use Without EBS (Not Shown)	1
3	190-10018	N.D.E Endbracket Bottom Cover	1
4	190-10025	N.D.E Endbracket	1
5	45-0866	Bearing Kit	1
6	190-1038	Exciter Stator 20mm (D, E & F)	1
	190-1039	Exciter Stator 25mm (G & H)	1
7	*	Stator Frame Assembly	1
8	191-10091	Air Flow Baffle	1
9	*	Rotor Shaft Assembly	1
10	190-1040	Exciter Rotor 20mm (D, E & F)	1
	190-1041	Exciter Rotor 25mm (G & H)	1
	A052F554	Exciter Rotor 20mm (D, E & F) Severe Environmental	1
	A052F554	Exciter Rotor 25mm (G & H) Severe Environmental	1
11	45-0427	Rotating Rectifier Assembly	1
12	RSK-1101	Diode Fwd/Rev & Varistor Kit	1
13	191-10057	Terminal, Board	1
14	45-1165	Standard Terminal Box Kit (D)	1
15	45-1206	Tall Terminal Box Kit	1
16	45-1166	Large Terminal Box Kit	1
17	45-1175	Terminal Box Plinth (Included in Item 16)	1
18	190-10027	A.V.R Cover	2
19	E000-14808/1P	A.V.R AS480 UL Approved Only Supplied	1
20	45-1161	Heater Kit 230V	1
	A040G608	Heater Kit 230V to Include Terminal Box for Retrofit	1
	45-1162	Heater Kit 115V	1
	A040G612	Heater Kit 115V to Include Terminal Box for Retrofit	1
	45-1163	Heater Kit 24V	1
	A040G614	Heater Kit 24V to Include Terminal Box for Retrofit	1
	45-1164	Heater Kit 12V	1
	A040G618	Heater Kit 12V to Include Terminal Box for Retrofit	1

P0 – 2 Bearing (Continued)

Item	Part No.	Description	Qty
21	45-1205	Heater Terminal Box for Retrofit Not Included in Heater Kits (Item 20)	1
22	191-10042	Fan	1
23	190-10043	D. E. Bracket	1
24	190-10016	D. E. Screen	1
25	45-0363	D. E. Bearing Kit	1
26	190-10044	D.E. Endplate	1
27	45-1200	Adapter Kit SAE 2	1
	45-1201	Adapter Kit SAE 3	1
	45-1202	Adapter Kit SAE 4	1
	45-1203	Adapter Kit SAE 5	1
28	See Item 27	Adaptor screen included in kit	1
		* – This part number depends on your machine serial number. Contact your regional CGT technical support team.	

This page is Intentionally blank.

P1 – 1 Bearing



P1 – 1 Bearing

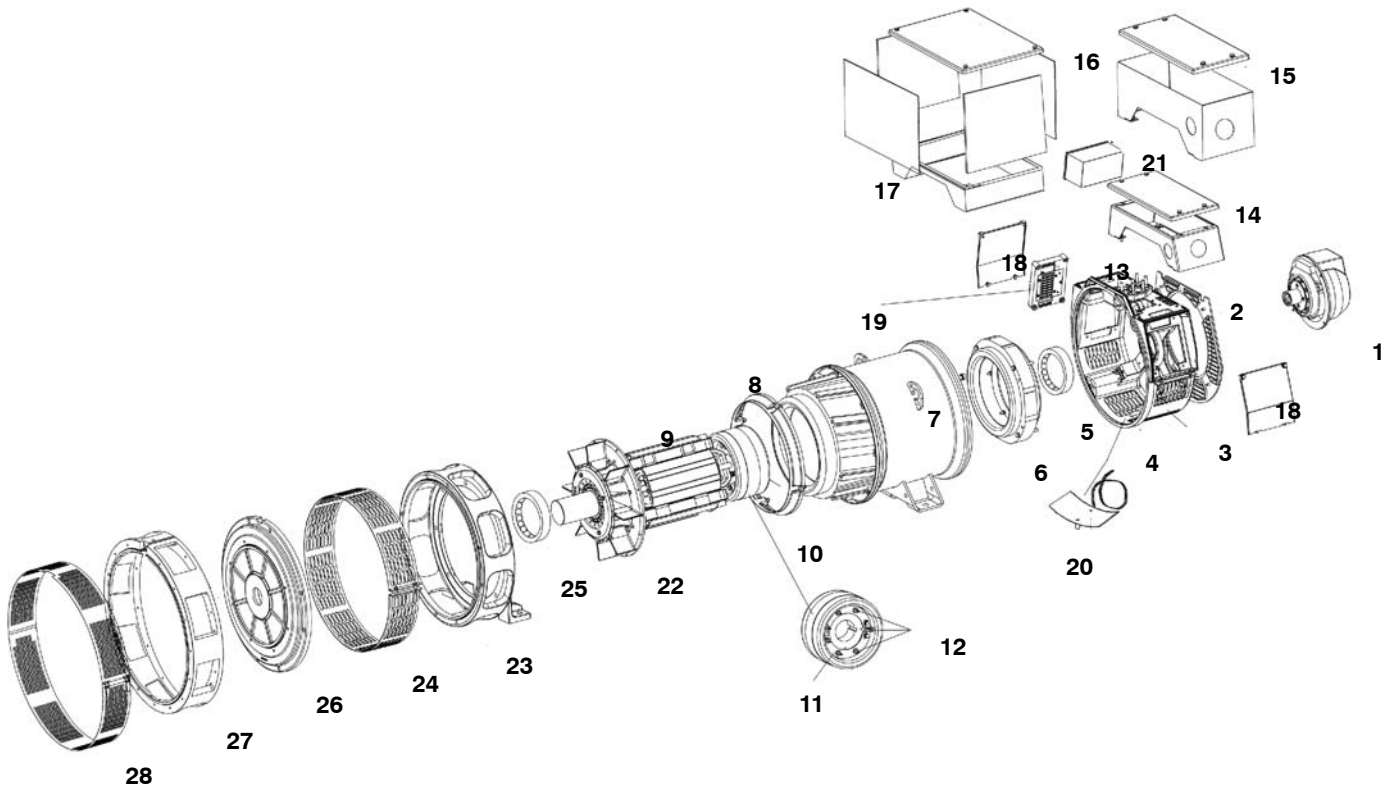
Item	Part No.	Description	Qty
1	45-1210	EBS Unit (4 Pole)	1
	E000-14831	EBS Module Only for 45-1210 & 45-1212	1
	45-1212	EBS Unit (2 Pole)	1
	45-1211	EBS Unit (Cummins PCC 1302 – 4 Pole)	1
	E000-14851	EBS Module Only for 45-1211 & 45-1213	1
	45-1213	EBS Unit (Cummins PCC 1302 – 2 Pole)	1
2	191-10061	N.D.E Cover for use with EBS	1
	191-10045	N.D.E Cover for use without EBS (Not Shown)	1
3	190-10018	N.D.E Endbracket Bottom Cover (D)	1
	190-10035	N.D.E Endbracket Bottom Cover(E – K)	1
4	190-10025	N.D.E Endbracket (D)	1
	191-10055	N.D.E Endbracket (E – K)	1
5	45-0866	Bearing Kit	1
6	190-1039	Exciter stator 25mm (D)	1
	191-1067	Exciter stator 30mm (E)	1
	191-1068	Exciter stator 34mm (F – G)	1
	191-1069	Exciter stator 38mm (H – K)	1
	A052F650	Exciter stator 25mm (D) Severe Environmental	1
	A052F652	Exciter stator 30mm (E) Severe Environmental	1
	A052F660	Exciter stator 34mm (F – G) Severe Environmental	1
	A052F805	Exciter stator 38mm (H – K) Severe Environmental	1
7	*	Stator Frame Assembly	1
8	191-10091	Air Flow Baffle	1
9	*	Rotor Shaft Assembly	1
10	190-1041	Exciter Rotor 25mm (G & H)	1
	191-1072	Exciter Rotor 30mm (E)	1
	191-1063	Exciter Rotor 34mm (F – G)	1
	191-1064	Exciter Rotor 38mm(H – K)	1
11	45-0427	Rotating Rectifier Assembly	1
12	RSK-1101	Diode Fwd/Rev & Varistor Kit	1
13	191-10057	Terminal, Board	1
14	45-1165	Standard Terminal Box Kit (D)	1
	45-1168	Standard Terminal Box Kit (E – K)	1
	45-1169	Standard Terminal Box Kit CPG Set (E-K)	1
15	45-1206	Tall Terminal Box Kit	1
16	45-1166	Large Terminal Box Kit (D) C/W plinth	1
	45-1167	Large Terminal Box Kit (E – K) C/W Plinth	1
17	45-1175	Terminal Box Plinth (D)	1
	45-1176	Terminal Box Plinth (E – K)	1
18	190-10027	A.V.R Cover (D)	2

P1 – 1 Bearing (Continued)

Item	Part No.	Description	Qty
	191-10056	A.V.R Cover (E – K)	2
19	E000-14808/1P	A.V.R AS480 UL Approved Only Supplied	1
20	45-1161	Heater Kit 230V	1
	A040G608	Heater Kit 230V to Include Terminal Box for Retrofit	1
	45-1162	Heater Kit 115V	1
	A040G612	Heater Kit 115V to Include Terminal Box for Retrofit	1
	45-1163	Heater Kit 24V	1
	A040G614	Heater Kit 24V to Include Terminal Box for Retrofit	1
	45-1164	Heater Kit 12V	1
	A040G618	Heater Kit 12V to Include Terminal Box for Retrofit	1
21	45-1205	Heater Terminal Box for Retrofit Not Included in Heater Kits (Item 20)	1
22	191-10042	Fan 290 mm (D-G)	1
	191-10059	Fan 344 mm (H – K)	1
23	45-1190	Adapter Kit SAE 2	1
	45-1191	Adapter Kit SAE 3	1
	45-1192	Adapter Kit SAE 4 (D,E,F,G)	1
	45-1197	Adapter Kit SAE 4 (Spacer 28.5)	1
	45-1193	Adapter Kit SAE 5	1
	45-1195	Adapter Kit SAE 5 (Spacer 26 Wide Lister Alpha)	1
	45-1196	Adapter Kit SAE 5 (Spacer 51.5 Wide Lister Alpha)	1
	45-1194	Adapter Kit SAE 6	1
	45-1198	Adapter Kit (AIFO)	1
	45-1199	Adapter Kit (GM)	1
24	See Item 23	Adapter Screen Included in Kit	1
25	45-1170	Coupling Kit SAE 6.5 (3mm)	1
	45-1181	Coupling Kit SAE 6.5 (3mm) (For SAE6 Adaptor)	1
	45-1183	Coupling Kit SAE 6.5 (Dished Disc) AN13.3	1
	45-1185	Coupling Kit SAE 6.5 (Dished Disc) AN30.2	1
	45-1171	Coupling Kit SAE 7.5	1
	45-1209	Coupling Kit SAE 7.5 (3mm) (Special for D Core)	1
	45-1204	Coupling Kit SAE 7.5 (Kubota) (1.2mm)	1
	45-1184	Coupling Kit SAE 7.5 (Dished Disc) AN13.3	1
	45-1186	Coupling Kit SAE 7.5 (Dished Disc) AN30.2	1
	45-1188	Coupling Kit (GM Adapter Up to G)	1
	45-1172	Coupling Kit SAE 8 (3mm)	1
	45-1173	Coupling Kit SAE 10 (3mm)	1
	45-1174	Coupling Kit SAE 11.5 (3mm)	1
	45-1180	Coupling Kit Lister/Alpha (Use with 45-1195 Only)	1
		* – This part number depends on your machine serial number. Contact your regional CGT technical support team.	

This page is Intentionally blank.

P1 – 2 Bearing



P1 – 2 Bearing

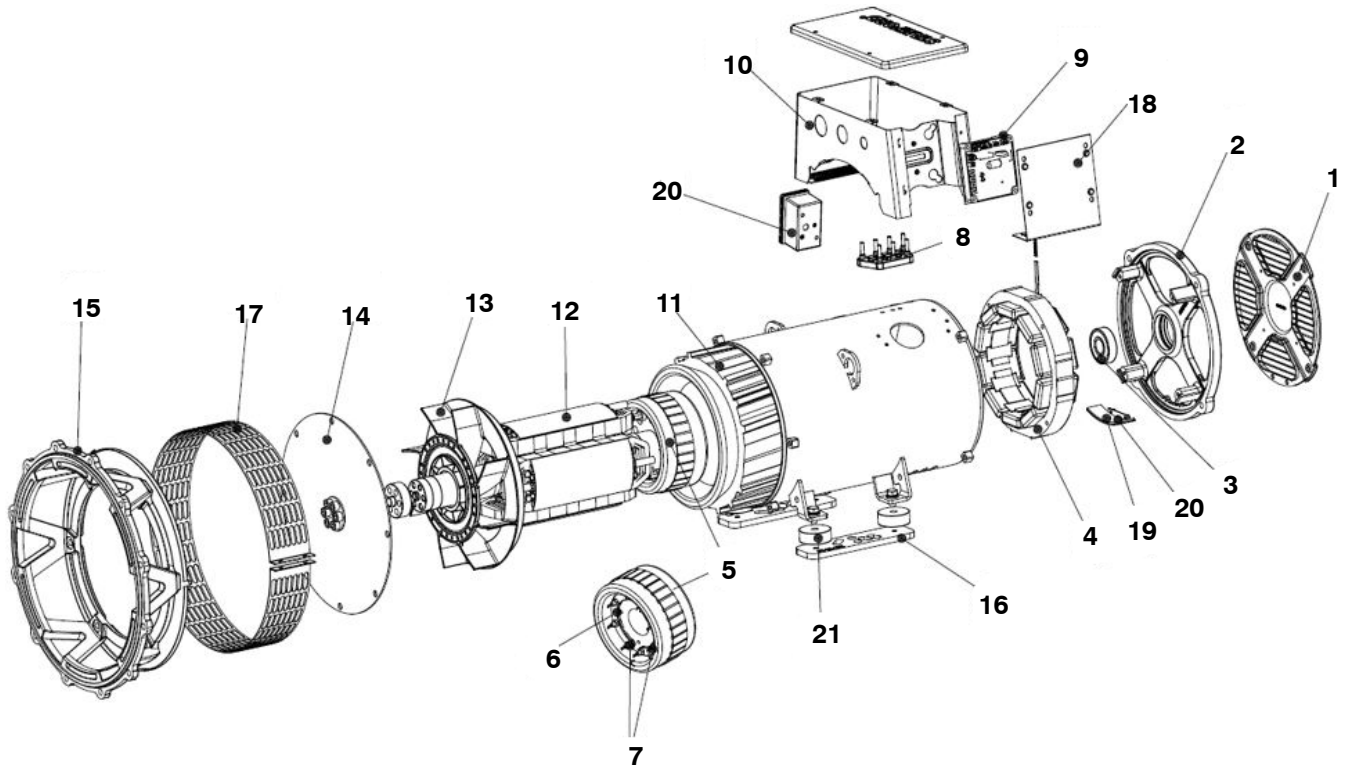
Item	Part No.	Description	Qty
1	45-1210	EBS Unit (4 Pole)	1
	E000-14831	EBS Module Only for 45-1210 & 45-1212	1
	45-1212	EBS Unit (2 Pole)	1
	45-1211	EBS Unit (Cummins PCC 1302 – 4 Pole)	1
	E000-14851	EBS Module Only for 45-1211 & 45-1213	1
	45-1213	EBS Unit (Cummins PCC 1302 – 2 Pole)	1
2	191-10061	N.D.E Cover for use with EBS	1
	191-10045	N.D.E Cover for use without EBS (Not Shown)	1
3	190-10018	N.D.E Endbracket Bottom Cover (D)	1
	190-10035	N.D.E Endbracket Bottom Cover (F-K)	1
4	190-10025	N.D.E Endbracket (D)	1
	191-10055	N.D.E Endbracket (E-K)	1
5	45-0866	Bearing Kit	1
6	191-1067	Exciter Stator 30mm (E)	1
	190-1039	Exciter Stator 25mm (D)	1
	191-1068	Exciter Stator 34mm (F-G)	1
	191-1069	Exciter Stator 38mm (H-K)	1
	A052F650	Exciter Stator 25mm (D) Severe Environmental	1
	A052F652	Exciter Stator 30mm (E) Severe Environmental	1
	A052F660	Exciter Stator 34mm (F – G) Severe Environmental	1
	A052F805	Exciter Stator 38mm (H – K) Severe Environmental	1
7	*	Stator Frame Assembly	1
8	191-10091	Air Flow Baffle	1
9	*	Rotor Shaft Assembly	1
10	190-1041	Exciter Rotor 25mm D core	1
	191-1072	Exciter Rotor 30mm E core	1
	191-1063	Exciter Rotor 34mm F & G core	1
	191-1064	Exciter Rotor 38mm H-K core	1
11	45-0427	Rotating Rectifier Assembly	1
12	RSK-1101	Diode Fwd/Rev & Varistor Kit	1
13	191-10057	Terminal, Board	1
14	45-1165	Standard Terminal Box Kit (D)	1
	45-1168	Standard Terminal Box Kit (E-K)	1
	45-1169	Standard Terminal Box CPG set (E-K)	1
15	45-1206	Tall Terminal Box Kit	1
16	45-1166	Large Terminal Box Kit (D) C/W plinth	1
	45-1167	Large Terminal Box Kit (E-K) C/W plinth	1
17	45-1175	Terminal Box Plinth (D)	1
	45-1176	Terminal Box Plinth (E-K)	1

P1 – 2 Bearing (Continued)

Item	Part No.	Description	Qty
18	190-10027	A.V.R Cover (D)	2
	191-10056	A.V.R Cover (E-K)	2
19	E000-14808/1P	A.V.R AS480 UL Approved Only Supplied	1
20	45-1161	Heater Kit 230V	1
	A040G608	Heater Kit 230V to Include Terminal Box for Retrofit	1
	45-1162	Heater Kit 115V	1
	A040G612	Heater Kit 115V to Include Terminal Box for Retrofit	1
	A040G614	Heater Kit 24V to Include Terminal Box for Retrofit	1
	45-1163	Heater Kit 24V	1
	45-1164	Heater Kit 12V	1
	A040G618	Heater Kit 12V to Include Terminal Box for Retrofit	1
21	45-1205	Heater Terminal Box for Retrofit Not Included in Heater Kits (Item 20)	1
22	191-10042	Fan 290 mm (D-G)	1
	191-10059	Fan 290 mm (H-K)	1
23	191-10119	D.E. Bracket	1
24	191-10029	D.E. Bracket screen	1
25	45-0363	D.E. Bearing kit	1
26	191-10029	D.E. Endplate (D-G)	1
27	45-1200	Adapter Kit SAE 2	1
	45-1201	Adapter Kit SAE 3	1
	45-1202	Adapter Kit SAE 4	1
	45-1203	Adapter Kit SAE 5	1
28	See Item 27	Adapter Screen Included in Kit	1
		* – This part number depends on your machine serial number. Contact your regional CGT technical support team.	

This page is Intentionally blank.

S0L1 – 1 Bearing



S0L1 – 1 Bearing

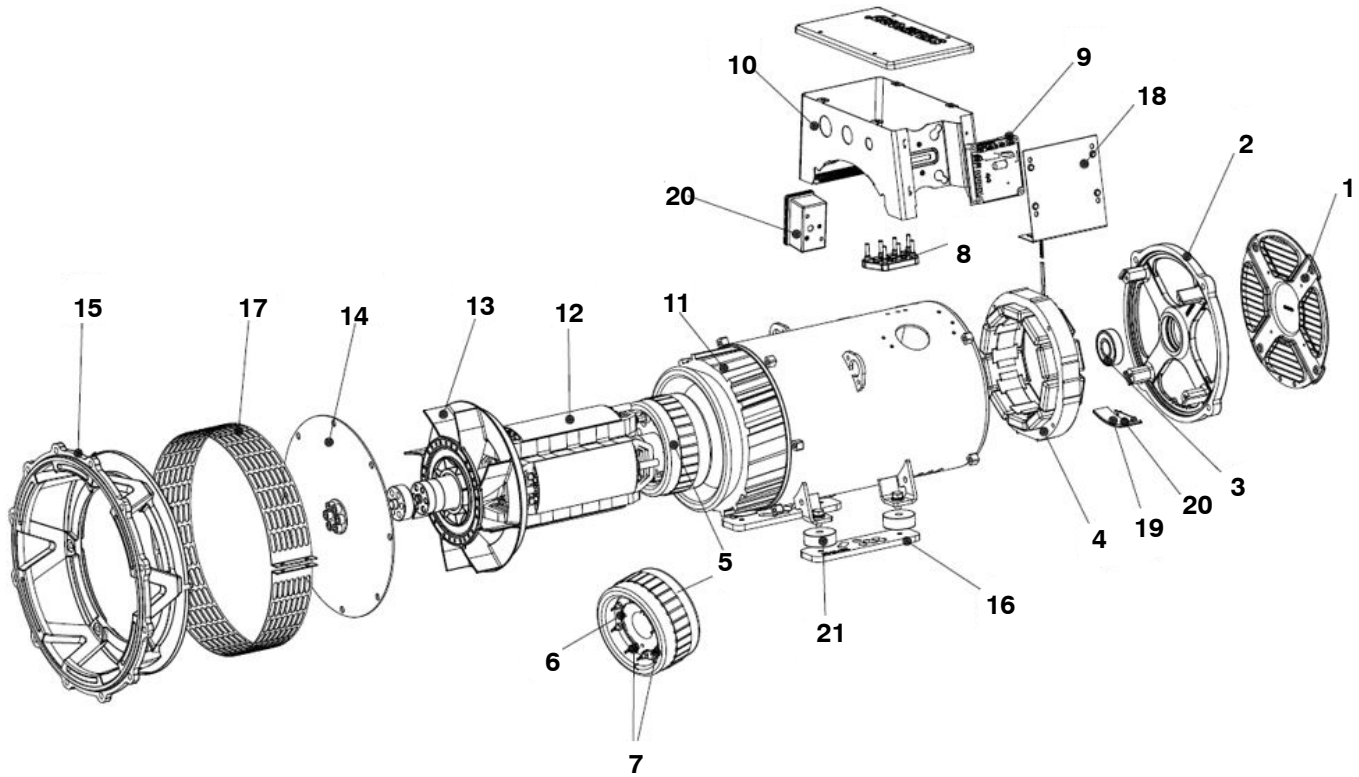
Item	Part No.	Description	Qty
1	A052E628	Cover, End	1
2	A051P115	Brkt, End, F0, NDE	1
3	A054H811	Kit, Brg, F1, NDE, S0L2, 1B	1
4*	A052J112	Str, Exc, 30.0	1
4#	A052J113	Str, Exc, 35.0	1
5*	A052J677	Rtr, Exc, 30.0	1
5#	A052J678	Rtr, Exc, 35.0	1
6	A051C308	Rectfr, Rot, F0	1
7	A054H820	Kit, Diode Repair, F1	1
8*	A054H831	Kit, Term, F1, Term Brd Conver	1
8#	A054L339	Kit, Term, F0	1
9	A054P369	Kit, Regn Ctrl Mdl, AS540	1
10	A052X170	Term Encl, F0, IP23	
11	*	Wound Main Stator with Frame Assembly	1
12	*	Wound Main Rotor with Complete Assembly	1
13	A052F581	Fan, F0, 1, CTRF250	1
14	A053E721	Coupling Kit, F0, SAE6.5, 1B	1
	A052W678	Coupling Kit, F0, SAE7.5, 1B	1
	A052W626	Coupling Kit, F0, SAE10, 1B	1
	A052W676	Coupling Kit, F0, SAE11.5, 1B	1
15	A053E622	Adapter Kit, F0, SAE3, 1B	1
	A052V920	Adapter Kit, F0, SAE4, 1B	1
	A053E624	Adapter Kit, F0, SAE5, 1B	1
16*	A052X624	Foot Kit, F0, Bolt-On, 132.0C/H	1
17*	A054L239	Kit, Adpt Sprs, F0 SAE3 1B, IP23	1
17#	A054L242	Kit, Adpt Sprs, F0 SAE4 1B, IP23	1
17**	A054L246	Kit, Adpt Sprs, F0 SAE5 1B, IP23	1
18	A052F476	Panel, Term Encl, F0, SD, IP23	1
19	A053L646	Htr, Cart, 25.0W, 12VAC, 0VDC	1
	A053L668	Htr, Cart, 25.0W, 24VAC, 0VDC	1
	A053P092	Htr, Cart, 25.0W, 115VAC, 0VDC	1
	A053P101	Htr, Cart, 25.0W, 230VAC, 0VDC	1
20	A054K278	Kit, Htr, F0, 12V	1
	A054K280	Kit, Htr, F0, 24V	1
	A054K282	Kit, Htr, F0, 115V	1
	A054K284	Kit, Htr, F0, 230V	1
21*	A051L180	Spacer, BK, 0.0	4
		Continued...	

S0L1 – 1 Bearing (Continued)

Item	Part No.	Description	Qty
		* – This part number depends on your machine serial number. Contact your regional CGT technical support team.	
		NOTES:	
		4* Exciter Stator 30 MM (D,H,J)	
		4# Exciter Stator 35 MM (L,P,S)	
		5* Exciter Stator 30 MM (D,H,J)	
		5# Exciter Rotor 35 MM (L,P,S)	
		8* Terminal Board Kit (3 Phase)	
		8# Terminal Board Kit (1 Phase)	
		16* Generator Base Plate (Foot Plates Only) Kit	
		17* DE Screen SAE 3	
		17# DE Screen SAE 4	
		17** DE Screen SAE 5	
		21* 28 mm Height Spacer Block	

This page is Intentionally blank.

S0L2 – 1 Bearing



S0L2 – 1 Bearing

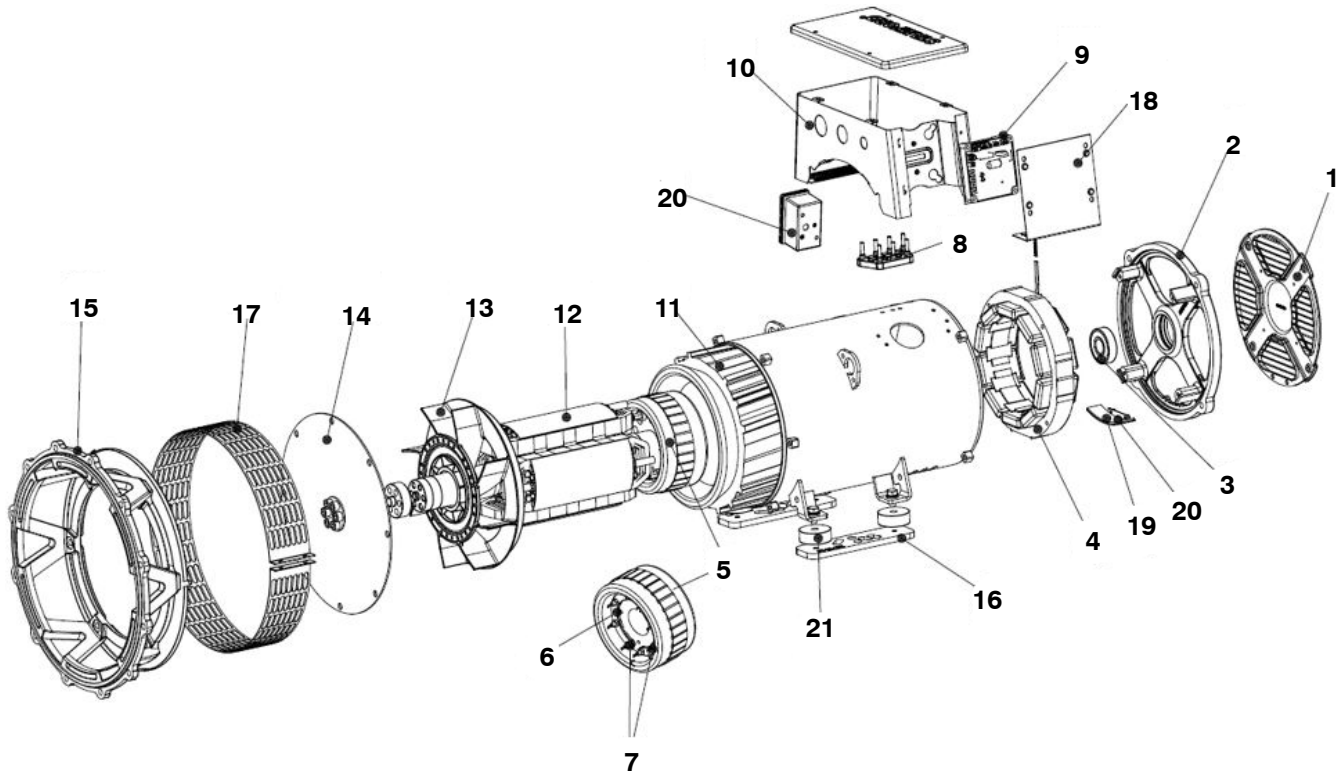
Item	Part No.	Description	Qty
1	A052E626	Cover, End	1
2	A051P111	Brkt, End, F1, NDE	1
3	A054H811	Kit, Brg, F1, NDE, S0L2, 1B	1
4*	A052J112	Str, Exc, 25.0, Epoxy Tapd	1
4#	A051G467	Str, Exc, 30.0, Epoxy Tapd	1
4**	A051L225	Str, Exc, 34.0, Epoxy Tapd	1
5*	190-1041	P0 Wnd Ex Rtr 25MM	1
5#	191-1072	P1 Wnd Ex Rtr 30MM	1
5**	191-1063	P1 Wnd Ex Rtr 34MM	1
6	A054H816	Kit, Rot Rectfr, F1	1
7	A054H820	Kit, Diode Repair, F1	1
8*	A054H831	Kit, Term, F1, Term Brd Conver	1
8#	A054H854	Kit, Term, F1, Term Brd Conver	1
9	A054P369	Kit, Regn Ctrl Mdl, AS540	1
10	A052X183	Term Encl, F1, IP23	
11	*	Wound Main Stator with Frame Assembly	1
12	*	Wound Main Rotor with Complete Assembly	1
13	A052F473	Fan, F1, 1, CTRF295	1
14	A053F397	Coupling Kit, F1, SAE6.5, 1B	1
	A053F395	Coupling Kit, F1, SAE7.5, 1B	1
	A052W684	Coupling Kit, F1, SAE10, 1B	1
	A052W607	Coupling Kit, F1, SAE11.5, 1B	1
	A054G545	Coupling Kit, F1, SAE11.5, 1B	1
15	A052V905	Adapter Kit, F1, SAE3, 1B	1
	A053F381	Adapter Kit, F1, SAE4, 1B	1
	A053F383	Adapter Kit, F1, SAE5, 1B	1
16*	A052X629	Foot Kit, F1, Bolt-On, 160.0C/H	1
17*	A054H863	Kit, Adpt Sprs, F1 SAE3 1B, IP23	1
17#	A054H889	Kit, Adpt Sprs, F1 SAE4 1B, IP23	1
17**	A054H900	Kit, Adpt Sprs, F1 SAE5 0B, IP23	1
18	A052H908	Panel, Term Encl, F1, SD, IP23	1
19	A053L652	Htr, Cart, 30.0W, 12VAC, 0VDC	1
	A053L666	Htr, Cart, 30.0W, 24VAC, 0VDC	1
	A053L667	Htr, Cart, 30.0W, 115VAC, 0VDC	1
	A053L669	Htr, Cart, 30.0W, 230VAC, 0VDC	1
20	A054K286	Kit, Htr, F1, 12V	1
	A054K288	Kit, Htr, F1, 24V	1
	A054K290	Kit, Htr, F1, 115V	1
	A054K292	Kit, Htr, F1, 230V	1
21*	A051L176	Spacer, BK, Steel S275-Black, 0.	4
		Continued...	

S0L2 – 1 Bearing (Continued)

Item	Part No.	Description	Qty
		* – This part number depends on your machine serial number. Contact your regional CGT technical support team.	
		NOTES:	
		4* Exciter Stator 25 MM (F,G,K)	
		4# Exciter Stator 30 MM (M)	
		4** Exciter Stator 34 MM (P,U)	
		5* Exciter Rotor 25 MM (F,G,K)	
		5# Exciter Rotor 30 MM (M)	
		5** Exciter Rotor 34 MM (P,U)	
		8* Terminal Board Kit (3 Phase)	
		8# Terminal Board Kit (1 Phase)	
		16* Generator Base Plate (Foot Plates Only) Kit	
		17* DE Screen SAE 3	
		17# DE Screen SAE 4	
		17** DE Screen SAE 5	
		21* 20 mm Height Spacer Block	

This page is Intentionally blank.

S1L2 – 1 Bearing



S1L2 – 1 Bearing

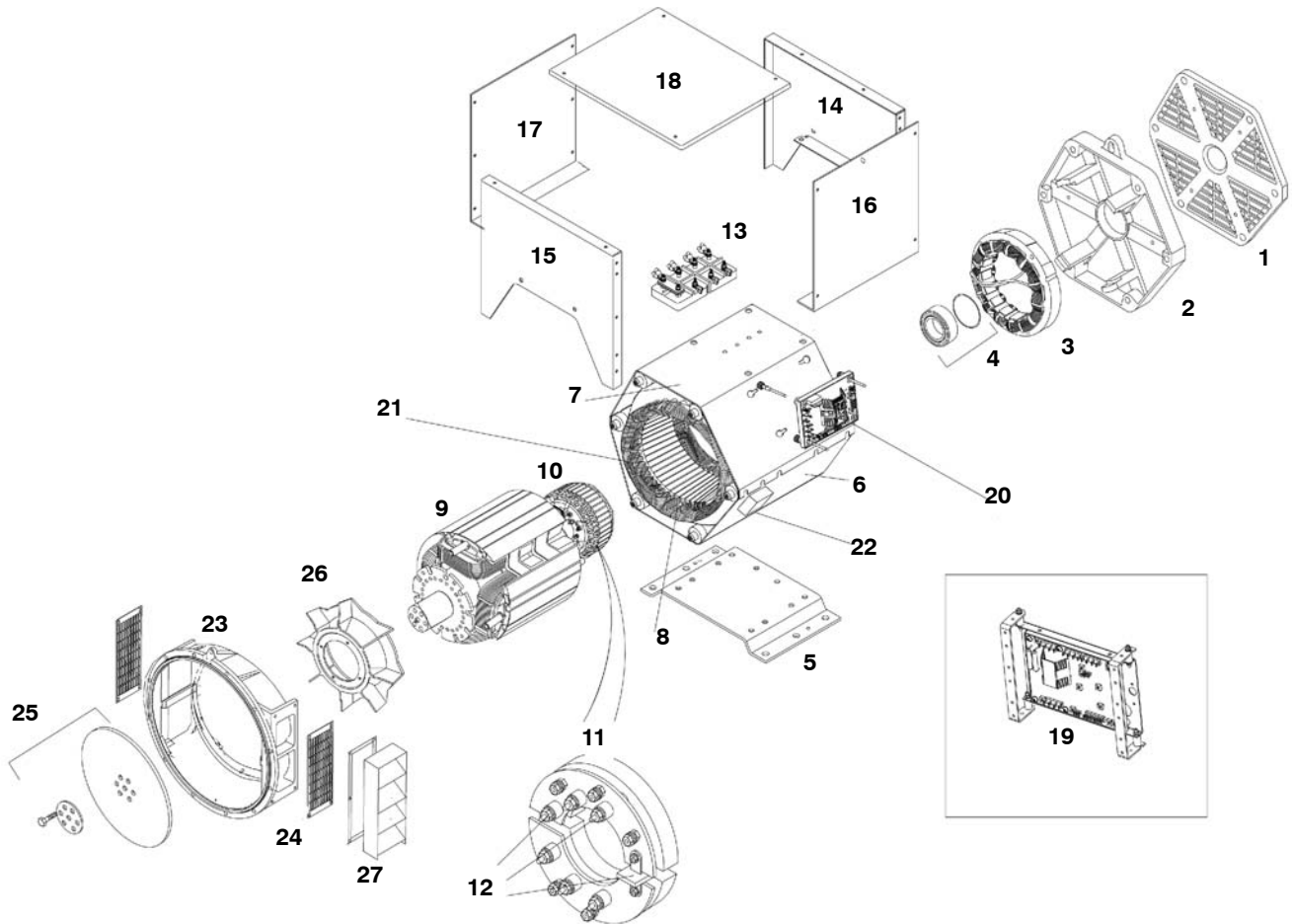
Item	Part No.	Description	Qty
1	A052E494	Cover, End	1
2	A051P107	Brkt, End, F1, NDE	1
3	45-0866	P0 Bearing Kit P0	1
4*	A051L226	Str, Exc, 38.0	1
4#	A051L227	Str, Exc, 45.0	1
4**	A053F533	Str, Exc, 55.0	1
5*	191-1064	P1 Wnd Ex Rtr 38 MM	
5#	A051L228	Rtr, Exc, 45.0	1
5**	A053F505	Rtr, Exc, 55.0	1
6	45-0427	BC ROT'G Rectifier Spares Kit	1
7	RSK-1101	BC1 Rectifier Service Kit	1
8*	A054X535	Kit, Term, F1, Term Brd Conver	1
8#	A054X533	Kit, Term, F1, Term Brd Conver	1
9	A054P369	Kit, Regn Ctrl Mdl, AS540	1
10	A052X197	Term Encl, F1, IP23	
11	*	Wound Main Stator with Frame Assembly	1
12	*	Wound Main Rotor with Complete Assembly	1
13	A052H292	Fan, F0, 1, CTRF350	1
14	A052W687	Coupling Kit, F1, SAE10, 1B	1
	A053G584	Coupling Kit, F1, SAE10, 1B	1
	A052W630	Coupling Kit, F1, SAE11.5, 1B	1
	A053G582	Coupling Kit, F1, SAE11.5, 1B	1
15	A052T358	Adapter Kit, F1, SAE3, 1B	1
	A053F333	Adapter Kit, F1, SAE4, 1B	1
16*	A052X631	Foot Kit, F1, Bolt-On, 180.0C/H	1
17*	A054X974	Kit, Adpt Sprs, F1 SAE3 1B, IP23	1
18	A052J157	Panel, Term Encl, F1, SD, IP23	1
19	A053L670	Htr, Cart, 30.0W, 12VAC, 0VDC	1
	A053L675	Htr, Cart, 30.0W, 24VAC, 0VDC	1
	A053L677	Htr, Cart, 30.0W, 115VAC, 0VDC	1
	A053L678	Htr, Cart, 30.0W, 230VAC, 0VDC	1
20	A054K294	Kit, Htr, F1, 12V	1
	A054K297	Kit, Htr, F1, 24V	1
	A054K299	Kit, Htr, F1, 115V	1
	A054K301	Kit, Htr, F1, 230V	1
21*	A051L177	Spacer, BK, 0.0	4
21**	A051L176	Spacer, BK, Steel S275-Black, 0.	4
		Continued...	

S1L2 – 1 Bearing (Continued)

Item	Part No.	Description	Qty
		* – This part number depends on your machine serial number. Contact your regional CGT technical support team.	
		NOTES:	
		4* Exciter Stator 38 MM (J,K,G,H)	
		4# Exciter Stator 45 MM (N,R)	
		4** Exciter Stator 55 MM (Y)	
		5* Exciter Rotor 38 MM (J,K,G,L)	
		5# Exciter Rotor 45 MM (N,R)	
		5** Exciter Rotor 55 MM (Y)	
		8* Terminal Board Kit (3 Phase)	
		8# Terminal Board Kit (1 Phase)	
		16* Generator Base Plate (Foot Plates Only) Kit	
		17* DE Screen SAE 3, SAE 4	
		21* 45 mm Height Spacer Block	
		21** 20 mm Height Spacer Block	

This page is Intentionally blank.

BCA162 & BCI162 1 Bearing (2 Pole)



BCA162 & BCI162 1 Bearing (2 Pole)

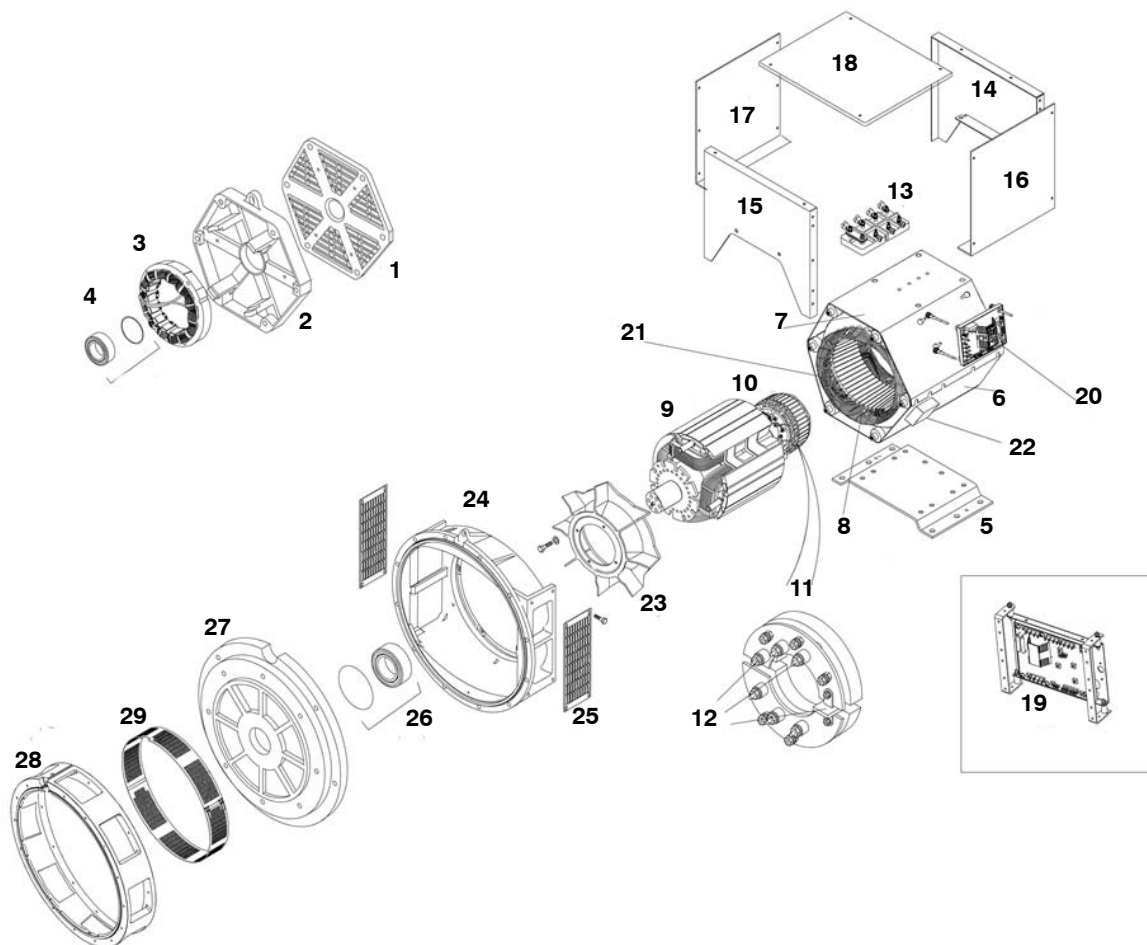
Item	Part No.	Description	Qty
1	130-20661	N.D.E. Cover	1
2	130-20667	N.D.E. Bracket	1
3	130-1379	Exciter stator (20mm) D – G & N	1
	130-1380	Exciter stator (25mm) H	1
	130-1381	Exciter stator (30mm) J – I	1
4	45-0866	N.D.E. Bearing Kit	1
5	130-20830	Foot	1
6	130-20745	Frame cover bottom D – E	1
	130-20800	Frame cover bottom F – G	1
	130-20836	Frame cover bottom J	1
	130-21385	Frame cover bottom I	1
	130-22002	Frame cover top D – E	1
	130-22021	Frame cover top F– G	1
7	130-22022	Frame cover top J	1
	130-22007	Frame cover top I	1
8	QMSN	Main stator bar assembly	1
9	QMSN	Main rotor shaft assembly	1
10	130-1384	Exciter rotor (20mm) D – G & N	1
	130-1385	Exciter rotor (25mm) H	1
	130-1386	Exciter rotor (30mm) J – I	1
11	45-0427	Rectifier assembly	1
12	RSK-1101	Diode Fwd/Rev & Varistor Kit	1
13	130-22000	Main terminal panel	1
14	130-22008	N.D.E. Terminal panel	1
15	130-22008	D.E. Terminal panel	1
16	130-20820	Side panel (A.V.R.) to (30/10/05) AVM type	1
	130-20993	Side panel (A.V.R.) from (30/10/05)	1
17	130-20819	Side panel	1
18	130-20821	Terminal box lid	1
19	45-0755	A.V.R. Mounting assy kit (no AVR)	1
20	E000-24602/1P	A.V.R. SX460 (standard)	1
	E000-24608/1P	A.V.R. SX460 UL approved	1
	E000-24403/1P	A.V.R. AS440	1
	E000-24408/1P	A.V.R. AS440 UL approved	1
21	45-0118	Heater 110-120v	1
	45-0117	Heater 220-260v	1
22	45-0024	Heater terminal box (for retrofit)	1
23	45-0830	D.E. Adaptor SAE 2	1
	45-0756	D.E. Adaptor SAE 3	1
	45-0723	D.E. Adaptor SAE 4	
	45-0813	D.E. Adaptor SAE 5	

BCA162 & BCI162 1 Bearing (2 Pole) (Continued)

Item	Part No.	Description	Qty
	45-0725	D.E. Adaptor SAE 6	1
24	130-21325	D.E. Screen SAE 2/4/5	2
25	130-20685	D.E. Screen SAE 3	2
26	45-0743	Coupling Kit SAE 6.5 (for SAE 4 & 5)	1
	45-0748	Coupling Kit SAE 6.5 (for SAE 6)	1
	45-0744	Coupling Kit SAE 7.5 (for SAE 4 & 5)	1
	45-0749	Coupling Kit SAE 7.5 (for SAE 6)	1
	45-0745	Coupling Kit SAE 8 (for SAE 4 & 5)	1
	45-0772	Coupling Kit SAE 8 (for SAE 3)	1
	45-0750	Coupling Kit SAE 10 (for SAE 2)	1
	45-0773	Coupling Kit SAE 10 (for SAE 3)	1
	45-0746	Coupling Kit SAE 10 (for SAE 4)	1
	45-0775	Coupling Kt SAE 11.5 (for SAE 2)	1
	45-0774	Coupling Kit SAE 11.5 (for SAE 3)	1
	45-0751	Coupling Kit lister tx 2 & 3	1
27	45-0726	Fan SAE 3 & 4	1
	45-0727	Fan SAE 5 & 6	1

This page is Intentionally blank.

BCA162 & BCI162 2 Bearing (2 Pole)



BCA162 & BCI162 2 Bearing (2 Pole)

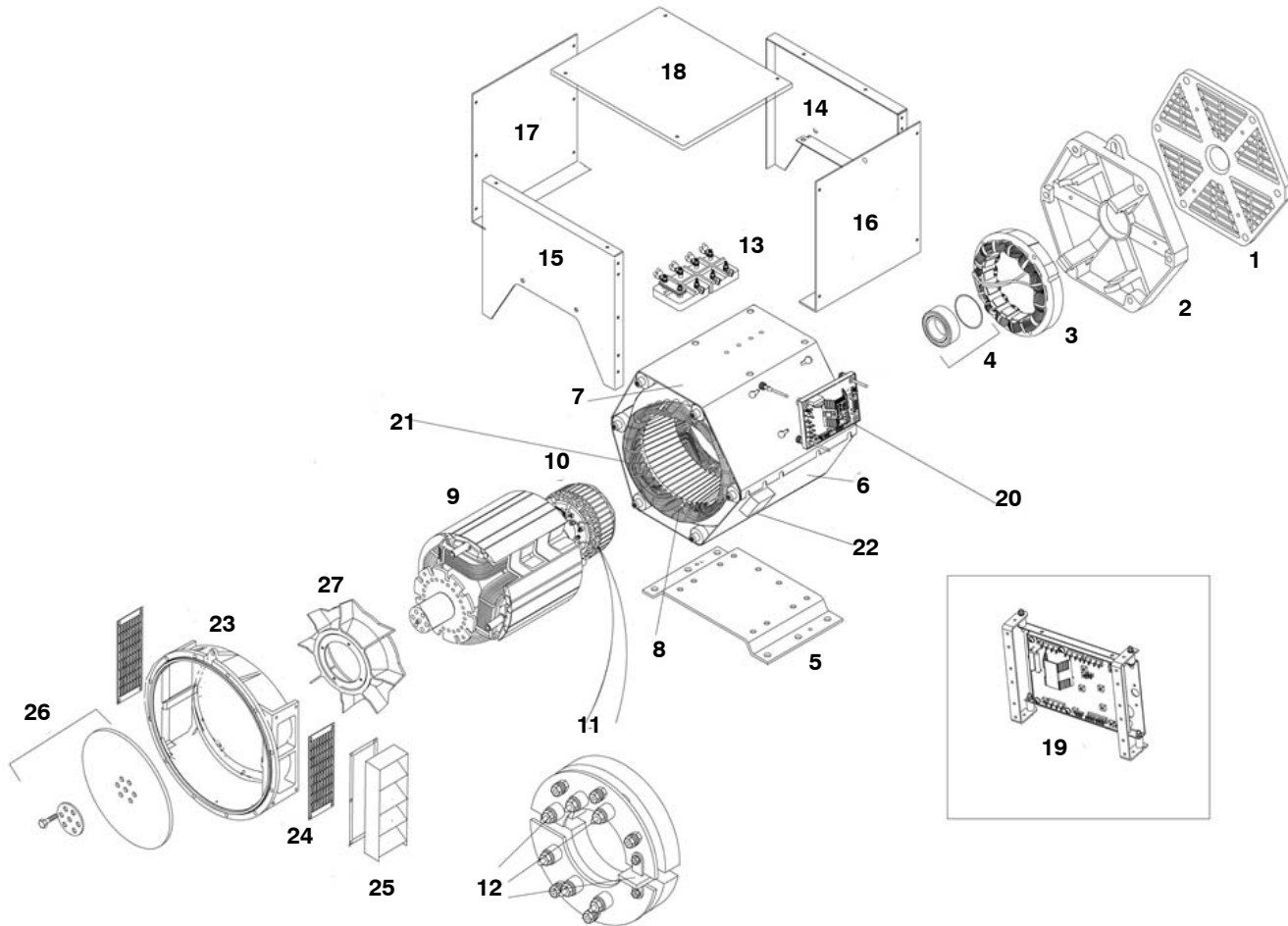
Item	Part No.	Description	Qty
1	130-20661	N.D.E. Cover	1
2	130-20667	N.D.E. Bracket	1
3	130-1379	Exciter stator (20mm) D – G & N	1
	130-1380	Exciter stator (25mm) H	1
	130-1381	Exciter stator (30mm) J – I	1
4	45-0866	N.D.E. Bearing kit	1
5	130-20830	Foot	1
6	130-20745	Frame cover bottom D – E	1
	130-20800	Frame cover bottom F – G	2
	130-20836	Frame cover bottom J	1
	130-21385	Frame cover bottom I	1
7	130-22002	Frame cover top D – E	1
	130-22021	Frame cover top F– G	1
	130-22022	Frame cover top J	1
	130-22007	Frame cover top I	1
8	QMSN	Main stator bar assembly	1
9	QMSN	Main rotor shaft assembly	1
10	130-1384	Exciter rotor (20mm) D – G & N	1
	130-1385	Exciter rotor (25mm) H	2
	130-1386	Exciter rotor (30mm) J – I	1
11	45-0427	Rectifier assembly	1
12	RSK-1101	Diode Fwd/Rev & Varistor Kit	1
13	130-22000	Main terminal panel	1
14	130-22008	N.D.E. Terminal panel	1
15	130-22008	D.E. Terminal panel	1
16	130-20820	Side panel (A.V.R.) to (30/10/05) AVM type	1
	130-20993	Side panel (A.V.R.) from (30/10/05)	1
17	130-20819	Side panel	1
18	130-20821	Terminal box lid	1
19	45-0755	A.V.R. Mounting assy Kit (no AVR)	1
20	E000-24602/1P	A.V.R. SX460 (standard)	1
	E000-24608/1P	A.V.R. SX460 UL approved	1
	E000-24403/1P	A.V.R. AS440	1
	E000-24408/1P	A.V.R. AS440 UL approved	2
21	45-0118	Heater 110-120v	1
	45-0117	Heater 220-260v	1
22	45-0024	Heater terminal box (for retrofit)	1
23	45-0727	Fan SAE 5 & 6	1
24	130-21602	D.E. Adaptor bracket SAE 5	1
25	130-21325	D.E. Screen	
26	45-0363	D.E. Bearing Kit	

BCA162 & BCI162 2 Bearing (2 Pole) (Continued)

Item	Part No.	Description	Qty
27	130-20773	D.E. Endbracket	1
28	45-0719	Adaptor Kit SAE 2	1
	45-0619	Adaptor Kit SAE 3	1
	45-0620	Adaptor Kit SAE 4	1
	45-0621	Adaptor Kit SAE 5	1
29	SEE ITEM 28	Adaptor screen included in adaptor kit	1

This page is Intentionally blank.

BCA164 & BCI164 1 Bearing (4 Pole)



BCA164 & BCI164 1 Bearing (4 Pole)

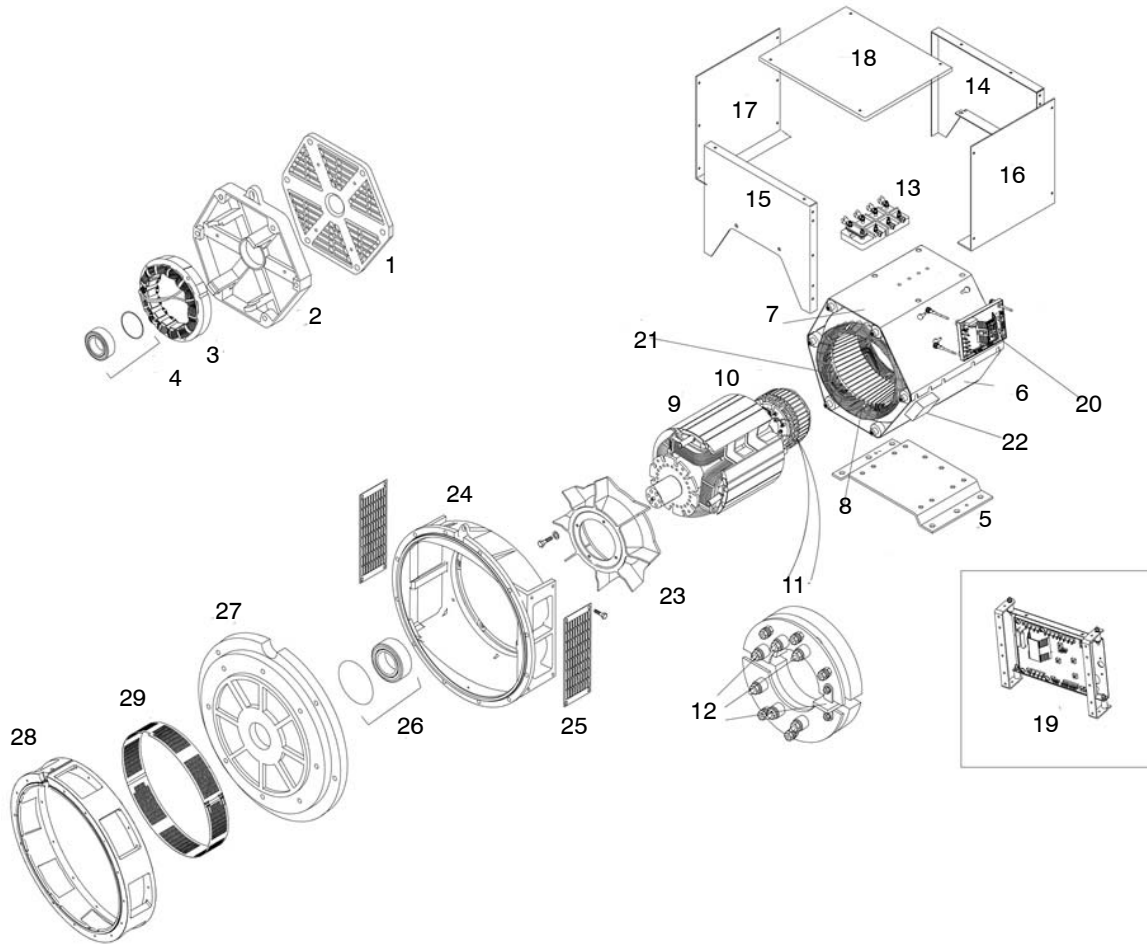
Item	Part No.	Description	Qty
1	130-20661	N.D.E. Cover	1
2	130-20667	N.D.E. Bracket	1
3	130-1380	Exciter stator (25mm) A – D	1
	130-1381	Exciter stator (30mm) E	1
4	45-0866	N.D.E. Bearing Kit	1
5	130-20830	Foot	1
6	130-20745	Frame cover bottom A – B	1
	130-20834	Frame cover bottom C – D	1
	130-20802	Frame cover bottom E	1
	130-20786	Frame cover bottom F – G	1
7	130-20998	Frame cover top A – B	1
	130-20999	Frame cover top C – D	1
	130-21000	Frame cover top E	1
	130-21001	Frame cover top F	1
8	QMSN	Main stator bar assembly	1
9	QMSN	Main rotor shaft assembly	1
10	130-1385	Exciter rotor (25mm) A – D	1
	130-1386	Exciter rotor (30mm) E	1
11	45-0427	Rectifier assembly	2
12	RSK-1101	Diode Fwd/Rev & Varistor Kit	1
13	130-22000	Main terminal panel	1
14	130-22008	N.D.E. Terminal panel	1
15	130-22008	D.E. Terminal panel	1
16	130-20820	Side panel (A.V.R.) to (30/10/05) avm type	1
	130-20993	Side panel (A.V.R.) from (30/10/05)	1
17	130-20819	Side panel	1
18	130-20821	Terminal box lid	1
19	45-0755	A.V.R. Mounting assy kit (no A.V.R.)	1
20	E000-24602/1P	A.V.R. SX460 (standard)	1
	E000-24608/1P	A.V.R. SX460 UL approved	1
	E000-24403/1P	A.V.R. AS440	1
	E000-24408/1P	A.V.R. AS440 UL approved	1
21	45-0118	Heater 110-120v	1
	45-0117	Heater 220-260v	1
22	45-0024	Heater terminal box (for retrofit)	1
23	45-0830	D.E. Adaptor S.A.E 2	1
	45-0756	D.E. Adaptor S.A.E 3	1
	45-0723	D.E. Adaptor S.A.E 4	1
	45-0813	D.E. Adaptor S.A.E 5	1
	45-0725	D.E. Adaptor S.A.E 6	1
	45-0725	D.E. Adaptor S.A.E 6	1
24	130-21325	D.E. Screen S.A.E2/4/5	2

BCA164 & BCI164 1 Bearing (4 Pole) (Continued)

Item	Part No.	Description	Qty
25	130-20685	D.E. Screen S.A.E 3	2
26	45-0743	Coupling Kit S.A.E 6.5 (for S.A.E 4 & 5)	1
	45-0748	Coupling Kit S.A.E 6.5 (for S.A.E 6)	1
	45-0744	Coupling Kit S.A.E 7.5 (for S.A.E 4 & 5)	1
	45-0749	Coupling Kit S.A.E 7.5 (for S.A.E 6)	1
	45-0745	Coupling Kit S.A.E 8 (for S.A.E 4 & 5)	1
	45-0772	Coupling Kit S.A.E 8 (for S.A.E 3)	1
	45-0750	Coupling Kit S.A.E10 (for S.A.E2)	1
	45-0773	Coupling Kit S.A.E 10 (for S.A.E 3)	1
	45-0746	Coupling Kit S.A.E 10 (for S.A.E 4)	1
	45-0775	Coupling Kit S.A.E 11.5 (for S.A.E 2)	1
	45-0774	Coupling Kit S.A.E 11.5 (for S.A.E 3)	1
	45-0751	Coupling Kit lister tx 2 & 3	1
	45-0857	Coupling Kit (light fly wheel)	1
27	45-0726	Fan S.A.E 3 & 4	1
	45-0727	Fan S.A.E 5 & 6	1

This page is Intentionally blank.

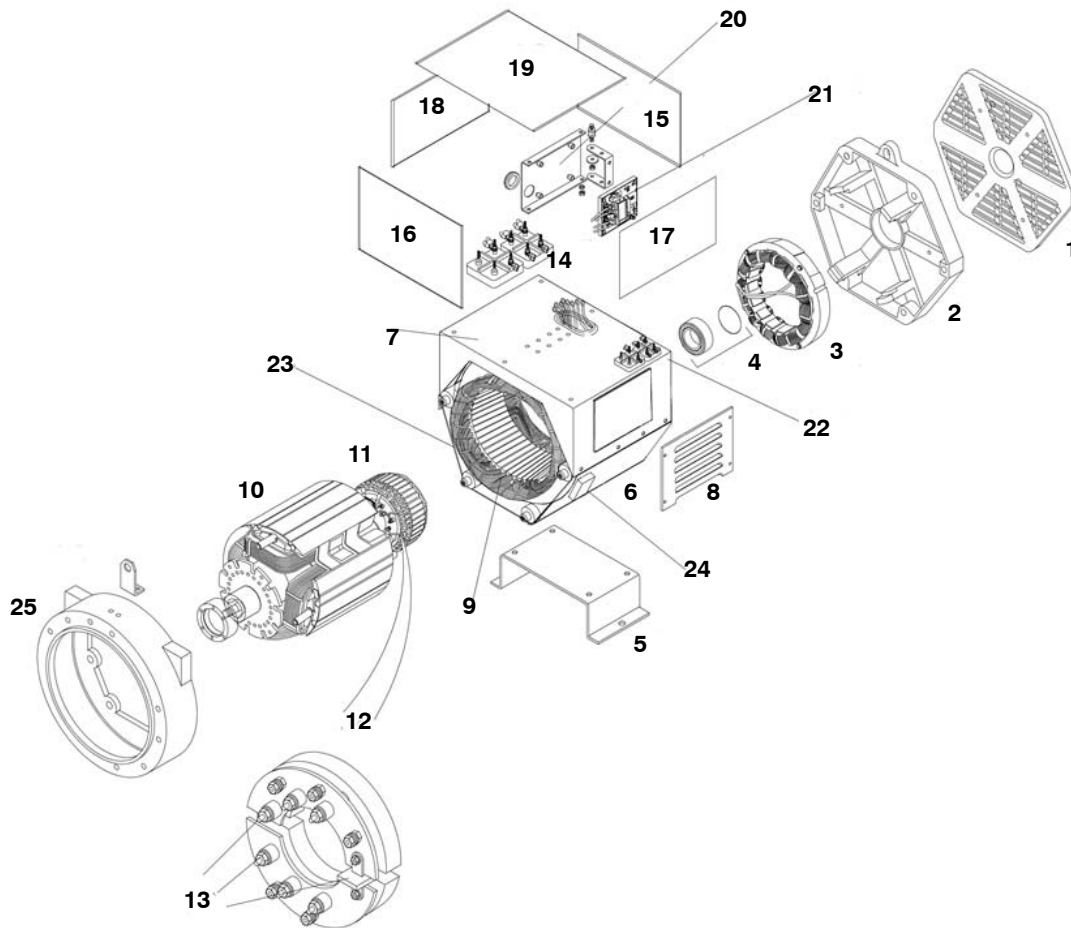
BCA164 & BCI164 A To E 2 Bearing (4 Pole)



BCA164 & BCI164 A To E 2 Bearing (4 Pole)

Item	Part No.	Description	Qty
1	130-20661	N.D.E. Cover	1
2	130-20667	N.D.E. Bracket	1
3	130-1380	Exciter stator bcl164 (25mm) A - D	1
4	45-0866	N.D.E. Bearing Kit	1
5	130-20830	Foot	1
6	130-20745	Frame cover bottom A - B	1
	130-20834	Frame cover bottom C - D	1
	130-20802	Frame cover bottom E	1
7	130-22002	Frame cover top A - B	2
	130-22003	Frame cover top C - D	1
	130-22004	Frame cover top E	1
8	QMSN	Main stator bar assembly	1
9	QMSN	Main rotor shaft assembly	1
10	130-1385	Exciter rotor (25mm) A - D	1
11	45-0427	Rectifier assembly	1
12	RSK-1101	Diode Fwd/Rev & Varistor Kit	1
13	130-22000	Main terminal panel from (30/10/05)	1
14	130-22008	N.D.E. Terminal panel from 30/10/05	1
15	130-22008	D.E. Terminal panel from 30/10/05	2
16	130-20820	Side panel (A.V. R.) to 30/10/05	1
	130-20993	Side panel (A.V. R.) from 30/10/05	1
17	130-20819	Side panel	1
18	130-20821	Terminal box lid	1
19	45-0755	A.V. R. Mounting assy kit (no AVR)	1
20	E000-24602/1P	A.V. R. SX460 (standard)	1
	E000-24608/1P	A.V. R. SX460 UL approved	1
	E000-24403/1P	A.V. R. AS440	1
	E000-24408/1P	A.V. R. AS440 UL approved	1
21	45-0195	Heater 110-120v	1
	45-0194	Heater 220-260v	1
22	45-0024	Heater terminal box (for retrofit)	1
23	45-0727	Fan SAE 5 & 6	1
24	130-21602	D.E. Adaptor bracket SAE 5	1
25	130-21325	D.E. Screen	2
26	45-0363	D.E. Bearing Kit	1
27	130-20773	D.E. Endbracket	1
28	45-0719	Adaptor Kit SAE 2	1
	45-0619	Adaptor Kit SAE 3	1
	45-0620	Adaptor Kit SAE 4	1
	45-0621	Adaptor Kit SAE 5	1
29	SEE ITEM 28	Adaptor screen included in adaptor kit	1

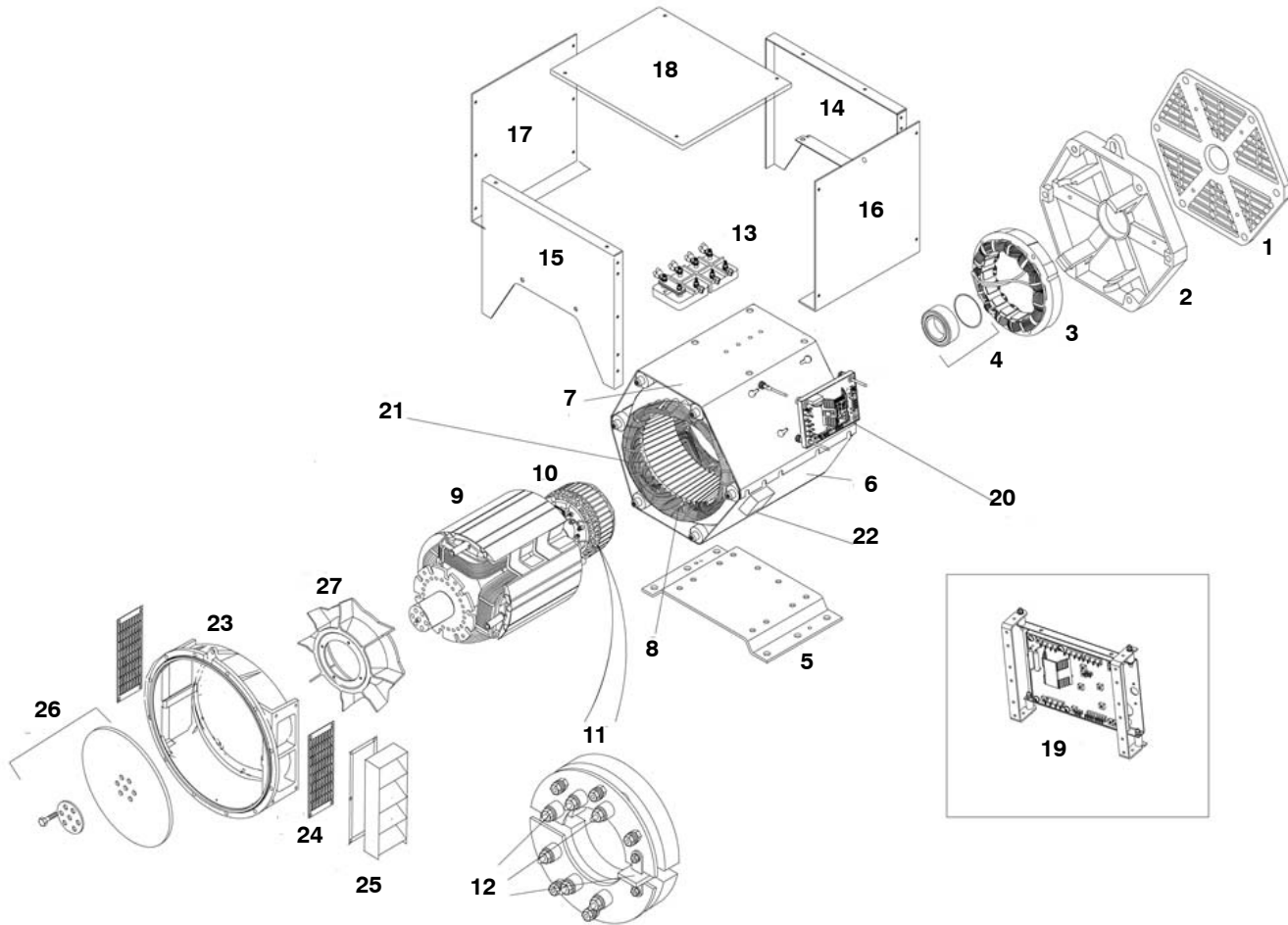
BCL164 & 184 A – F 1 Bearing (4 Pole)



BCL164 & 184 A – F 1 Bearing (4 Pole)

Item	Part No.	Description	Qty
1	130-20661	N.D.E. Louvred cover	1
2	130-20667	N.D.E. Bracket	1
3	130-1380	Exciter stator bcl164 (25mm) A – D	1
	130-1381	Exciter stator bcl184 (30mm) E	1
	130-1383	Exciter stator bcl184 (40mm) F	1
4	45-0866	N.D.E. Bearing kit	1
5	130-20832	Foot	1
6	130-20745	Frame cover bottom bcl164 A – B	1
	130-10834	Frame cover bottom bcl164 C – D	1
	130-20802	Frame cover bottom bcl184 E	1
	130-20786	Frame cover bottom bcl184 F	1
7	130-20998	Frame cover top bcl164 A – B	1
	130-20999	Frame cover top bcl164 C – D	1
	130-21000	Frame cover top bcl184 E	1
	130-21001	Frame cover top bcl184 F	1
8	130-20318	Louvred cover	2
9	QMSN	Main stator bar assembly	1
10	QMSN	Main rotor shaft assembly	1
11	130-1385	Exciter rotor bcl164 (25mm) A – D	1
	130-1386	Exciter rotor bcl184 (30mm) E	1
	130-1388	Exciter rotor bcl184 (40mm) F	1
12	45-0427	Rectifier assembly	1
13	RSK-1101	Diode Fwd/Rev & Varistor Kit	1
14	130-22000	Main terminal panel	1
15	130-21003	N.D.E. Terminal panel	1
16	130-21003	D.E. Terminal panel	1
17	130-21005	Side panel AVR	1
18	130-21004	Side panel	1
19	130-21006	Terminal box lid	1
20	45-0918	A.V.R. Mounting assy kit (no AVR)	1
21	E000-24602/1P	A.V.R. SX460 (standard)	1
	E000-24608/1P	A.V.R. SX460 ULapproved	1
	E000-24403/1P	A.V.R. AS440	1
	E000-24408/1P	A.V.R. AS440 ULapproved	1
22	003-14046	Auxiliary Terminal Board	1
23	45-0195	Heater 110-120v	1
	45-0194	Heater 220-260v	1
24	45-0024	Heater terminal box (for retrofit)	1
25	130-20308	D.E. Bracket	1

BCA182 & BCI182 H TO K 1 Bearing (2 Pole)



BCA182 & BCI182 H TO K 1 Bearing (2 Pole)

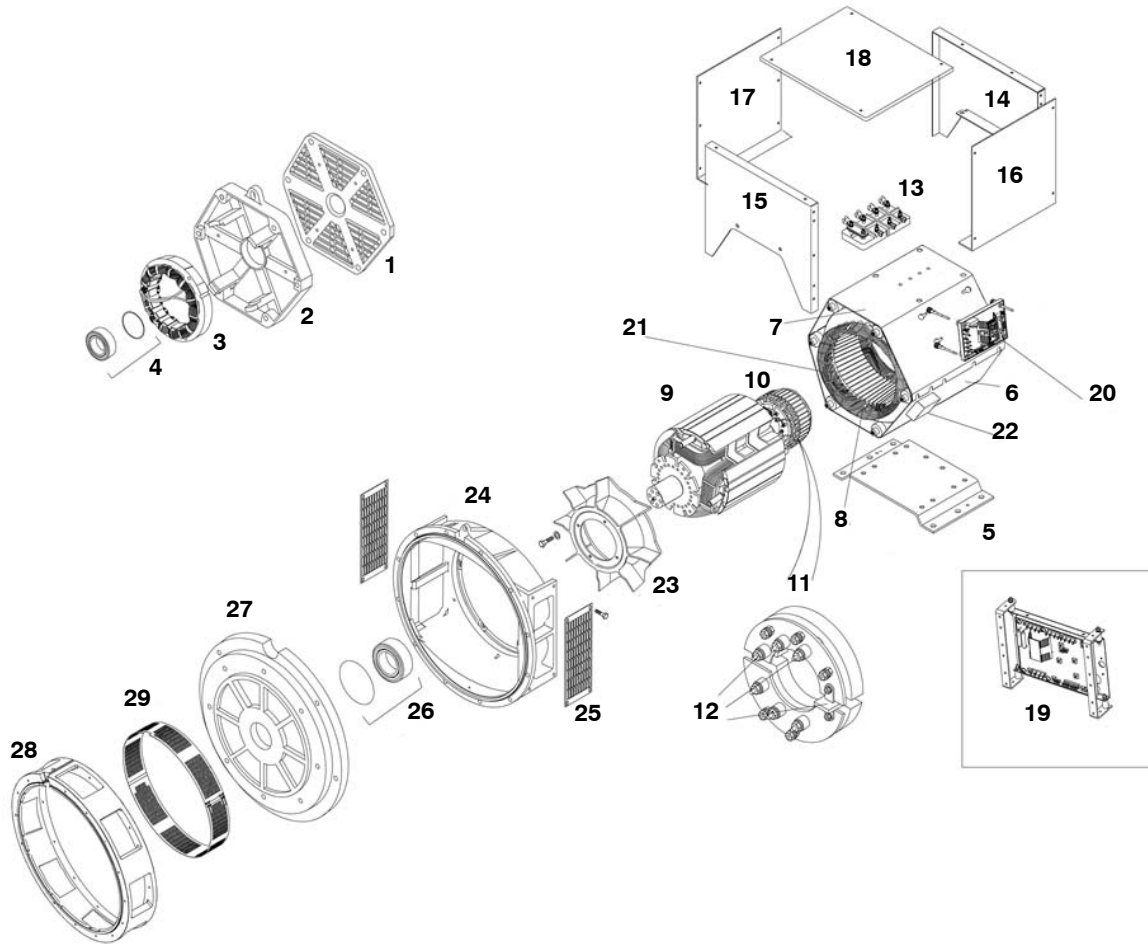
Item	Part No.	Description	Qty
1	130-20661	N.D.E. Cover	1
2	130-20667	N.D.E. Bracket	1
3	130-1380	Exciter stator (25mm) H	1
	130-1381	Exciter stator (30mm) J – I	1
4	45-0866	N.D.E. Bearing kit	1
5	130-20831	Foot	1
6	130-20836	Frame cover bottom H	1
	130-20786	Frame cover bottom K	1
7	130-22022	Frame cover top H	2
	130-22005	Frame cover top K	1
8	QMSN	Main stator bar assembly	1
9	QMSN	Main rotor shaft assembly	1
10	130-1385	Exciter rotor (25mm) H	1
	130-1386	Exciter rotor (30mm) J – I	1
11	45-0427	Rectifier assembly	1
12	RSK-1101	Diode Fwd/Rev & Varistor Kit	1
13	130-22000	Main terminal panel	1
14	130-22008	N.D.E. Terminal panel	1
15	130-22008	D.E. Terminal panel	2
16	130-20820	Side panel (A.V.R.) to (30/10/05) AVM type	1
	130-20993	Side panel (A.V.R.) from (30/10/05)	1
17	130-20819	Side panel	1
18	130-20821	Terminal box lid	1
19	45-0755	A.V.R. Mounting assy kit (no AVR)	1
20	E000-24602/1P	A.V.R. SX460 (standard)	1
	E000-24608/1P	A.V.R. SX460 UL approved	1
	E000-24403/1P	A.V.R. AS440	1
	E000-24408/1P	A.V.R. AS440 UL approved	1
21	45-0118	Heater 110-120v	1
	45-0117	Heater 220-260v	1
22	45-0024	Heater terminal box (for retrofit)	1
23	45-0830	D.E. Adaptor SAE 2	1
	45-0756	D.E. Adaptor SAE 3	1
	45-0723	D.E. Adaptor SAE 4	1
	45-0813	D.E. Adaptor SAE 5	1
	45-0725	D.E. Adaptor SAE 6	1
24	130-21325	D.E. Screen SAE 2/4/5	2
25	130-20685	D.E. Screen SAE 3	2
26	45-0743	Coupling Kit SAE 6.5 (for SAE 4 & 5)	1
	45-0748	Coupling Kit SAE 6.5 (for SAE 6)	1
	45-0744	Coupling Kit SAE 7.5 (for SAE 4 & 5)	1

BCA182 & BCI182 H TO K 1 Bearing (2 Pole) (Continued)

Item	Part No.	Description	Qty
	45-0749	Coupling Kit SAE 7.5 (for SAE 6)	1
	45-0745	Coupling Kit SAE 8 (for SAE 4 & 5)	1
	45-0772	Coupling Kit SAE 8 (for SAE 3)	1
	45-0750	Coupling Kit SAE 10 (for SAE 2)	1
	45-0773	Coupling Kit SAE 10 (for SAE 3)	1
	45-0746	Coupling Kit SAE 10 (for SAE 4)	1
	45-0775	Coupling Kit SAE 11.5 (for SAE 2)	1
	45-0774	Coupling Kit SAE 11.5 (for SAE 3)	1
	45-0751	Coupling Kit lister tx 2 & 3	1
27	45-0726	Fan (SAE 3 & 4)	1
	45-0727	Fan (SAE 5 & 6)	1

This page is Intentionally blank.

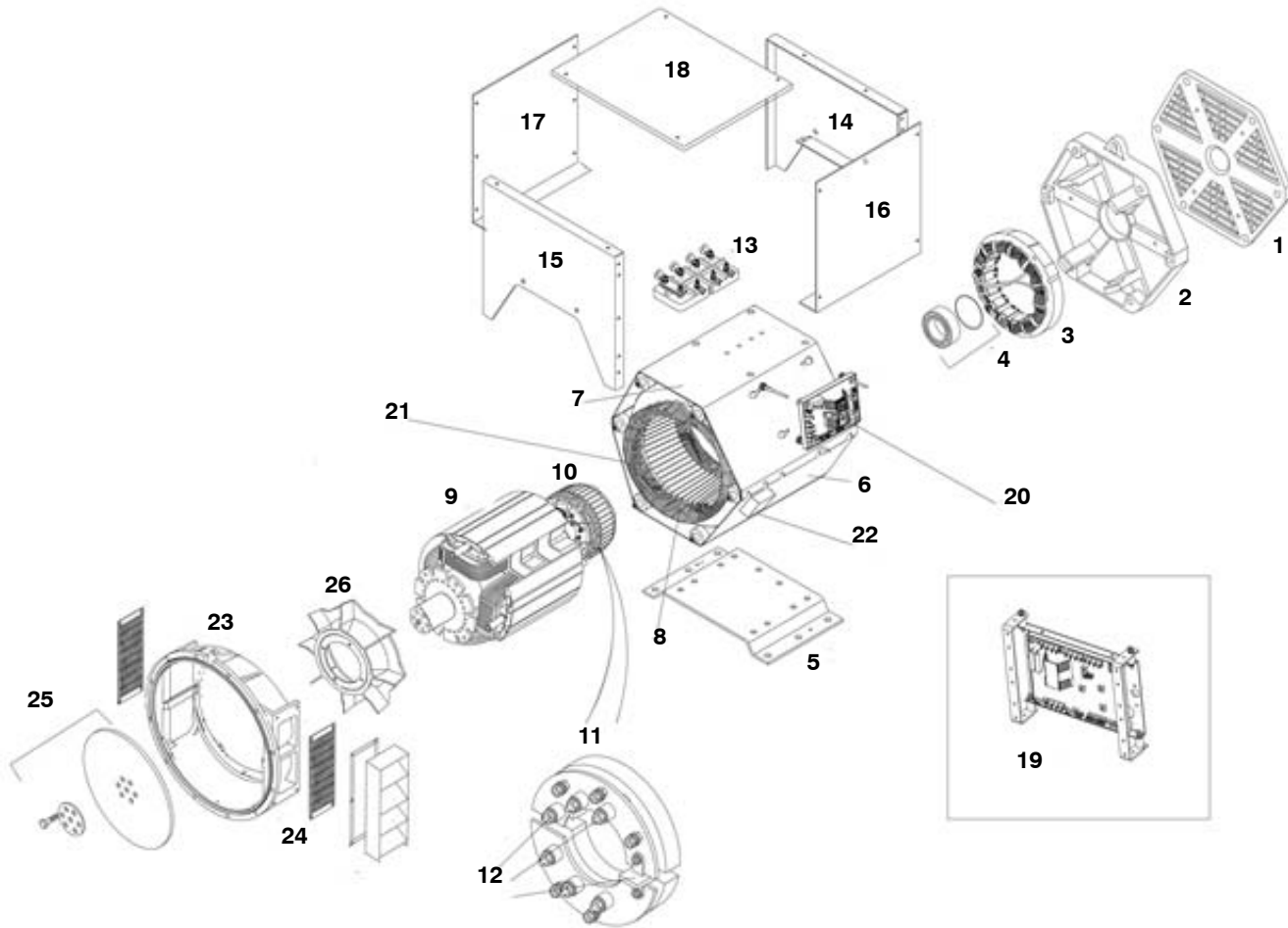
BCA182 & BCI182 H TO K 2 Bearing (2 Pole)



BCA182 & BCI182 H TO K 2 Bearing (2 Pole)

Item	Part No.	Description	Qty
1	130-20661	N.D.E. Cover	1
2	130-20667	N.D.E. Bracket	1
3	130-1380	Exciter stator (25mm) H	1
	130-1381	Exciter stator (30mm) J- I	1
4	45-0866	N.D.E. Bearing kit	1
5	130-20831	Foot	1
6	130-20836	Frame cover bottom H	1
	130-20786	Frame cover bottom K	1
7	130-22022	Frame cover top H	1
	130-22005	Frame cover top K	1
8	QMSN	Main stator bar assembly	1
9	QMSN	Main rotor shaft assembly	1
10	130-1385	Exciter rotor (25mm) H	1
	130-1386	Exciter rotor (30mm)j - I	1
11	45-0427	Rectifier assembly	1
12	RSK-1101	Diode Fwd/Rev & Varistor Kit	1
13	130-22000	Main terminal panel	1
14	130-22008	N.D.E. Terminal panel	1
15	130-22008	N.D.E. Terminal panel	1
16	130-20820	Side panel (A,V.R.) to (30/10/05) AVM type	1
	130-20993	Side panel (A,V.R.) from (30/10/05)	1
17	130-20819	Side panel	1
18	130-20821	Terminal box lid	1
19	45-0755	A.V.R. Mounting assy kit (no A.V.R.)	1
20	E000-24602/1P	A.V.R. SX460 (standard)	1
	E000-24608/1P	A.V.R. SX460 UL approved	1
	E000-24403/1P	A.V.R. AS440	1
	E000-24408/1P	A.V.R. AS440 UL approved	1
21	45-0118	Heater 110-120v	1
	45-0117	Heater 220-260v	1
22	45-0024	Heater terminal box (for retrofit)	1
23	45-0726	Fan SAE 3 & 4	1
24	130-20928	D.E. Adaptor bracket SAE 4	1
25	130-21325	D.E. Screen	2
26	45-0363	D.E. Bearing kit	1
27	130-20774	D.E. Endbracket	1
28	45-0719	Adaptor Kit SAE 2	1
	45-0619	Adaptor Kit SAE 3	1
	45-0620	Adaptor Kit SAE 4	1
	45-0621	Adaptor Kit SAE 5	1
29	SEE ITEM 28	Adaptor screen included in Adaptor kit	1

BCI184 1 Bearing (4 Pole)



BCI184 1 Bearing (4 Pole)

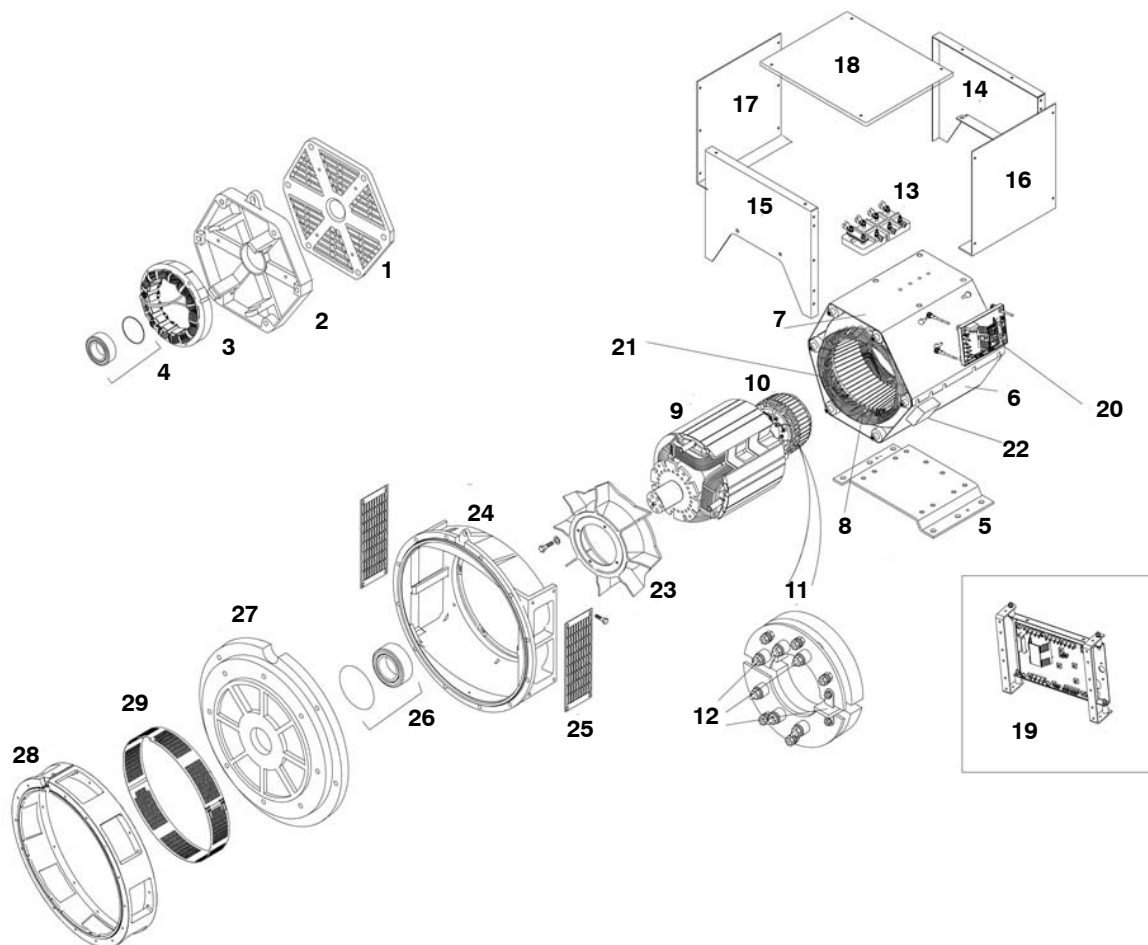
Item	Part No.	Description	Qty
1	130-20661	N.D.E. Cover	1
2	130-20667	N.D.E. Bracket	1
3	130-1381	Exciter stator (30mm) E	1
	130-1383	Exciter stator (40mm) F – G	1
	130-1801	Exciter stator H–J core only	1
4	45-0866	N.D.E. Bearing kit	1
5	130-20832	Foot	1
6	130-20802	Frame cover bottom E	1
	130-20786	Frame cover bottom F – G	2
7	130-22004	Frame cover top E	1
	130-22005	Frame cover top F – G	1
8	QMSN	Main stator bar assembly	1
9	QMSN	Main rotor shaft assembly	1
10	130-1386	Exciter rotor (30mm) E	1
	130-1388	Exciter rotor (40mm) F – G	1
	130-1800	Exciter rotor H–J core only	1
11	45-0427	Rectifier assembly	1
12	RSK-1101	Diode Fwd/Rev & Varistor Kit	1
13	130-22000	Main terminal panel from (30/10/05)	2
14	130-22008	N.D.E. Terminal panel	1
15	130-22008	D.E. Terminal panel	1
16	130-20820	Side panel (A.V.R.) to 30/10/05	1
	130-20993	Side panel (A.V.R.) from 30/10/05	1
	130-22011	Side panel (A.V.R) H – J core	1
17	130-20819	Side panel	1
	130-21627	Side panel H – J core	1
18	130-20821	Terminal box lid	1
	130-21628	Terminal box lid H – J core	1
19	45-0755	A.V.R. Mounting assy kit (no AVR)	1
20	E000-24602/1P	A.V.R. SX460 (standard)	1
	E000-24608/1P	A.V.R. SX460 ULapproved	1
	E000-24403/1P	A.V.R. AS440	1
	E000-24408/1P	A.V.R. AS440 ULapproved	1
21	45-0195	Heater 110–120v	2
	45-0194	Heater 220–260v	1
22	45-0024	Heater terminal box (for retrofit)	1
23	45-0830	D.E. Adaptor SAE 2	1
	45-0756	D.E. Adaptor SAE 3	1
	45-0723	D.E. Adaptor SAE 4	1
	45-0813	D.E. Adaptor SAE 5	1
	45-0725	D.E. Adaptor SAE 6	1

BCI184 1 Bearing (4 Pole) (Continued)

Item	Part No.	Description	Qty
	45-0527	Adaptor SAE3 – H-J core only	1
24	130-21325	D.E. Screen SAE2/4/5	1
	130-20685	D.E. Screen SAE 3	1
25	45-0743	Coupling Kit SAE 6.5 (for SAE 4 & 5)	1
	45-0748	Coupling Kit SAE 6.5 (for SAE 6)	1
	45-0744	Coupling Kit SAE 7.5 (for SAE 4 & 5)	1
	45-0749	Coupling Kit SAE 7.5 (for SAE 6)	1
	45-0745	Coupling Kit SAE 8 (for SAE 4 & 5)	1
	45-0772	Coupling Kit SAE 8 (for SAE 3)	1
	45-0750	Coupling Kit SAE10 (for SAE2)	1
	45-0773	Coupling Kit SAE 10 (for SAE 3)	2
	45-0746	Coupling Kit SAE 10 (for SAE 4)	1
	45-0775	Coupling Kit SAE 11.5 (for SAE 2)	1
	45-0774	Coupling Kit SAE 11.5 (for SAE 3)	1
	45-0751	Coupling Kit lister tx 2 & 3	1
26	45-0726	Fan (SAE 3 & 4)	1
	45-0727	Fan (SAE 5 & 6)	1

This page is Intentionally blank.

BCI184 2 Bearing (4 Pole)



BCI184 2 Bearing (4 Pole)

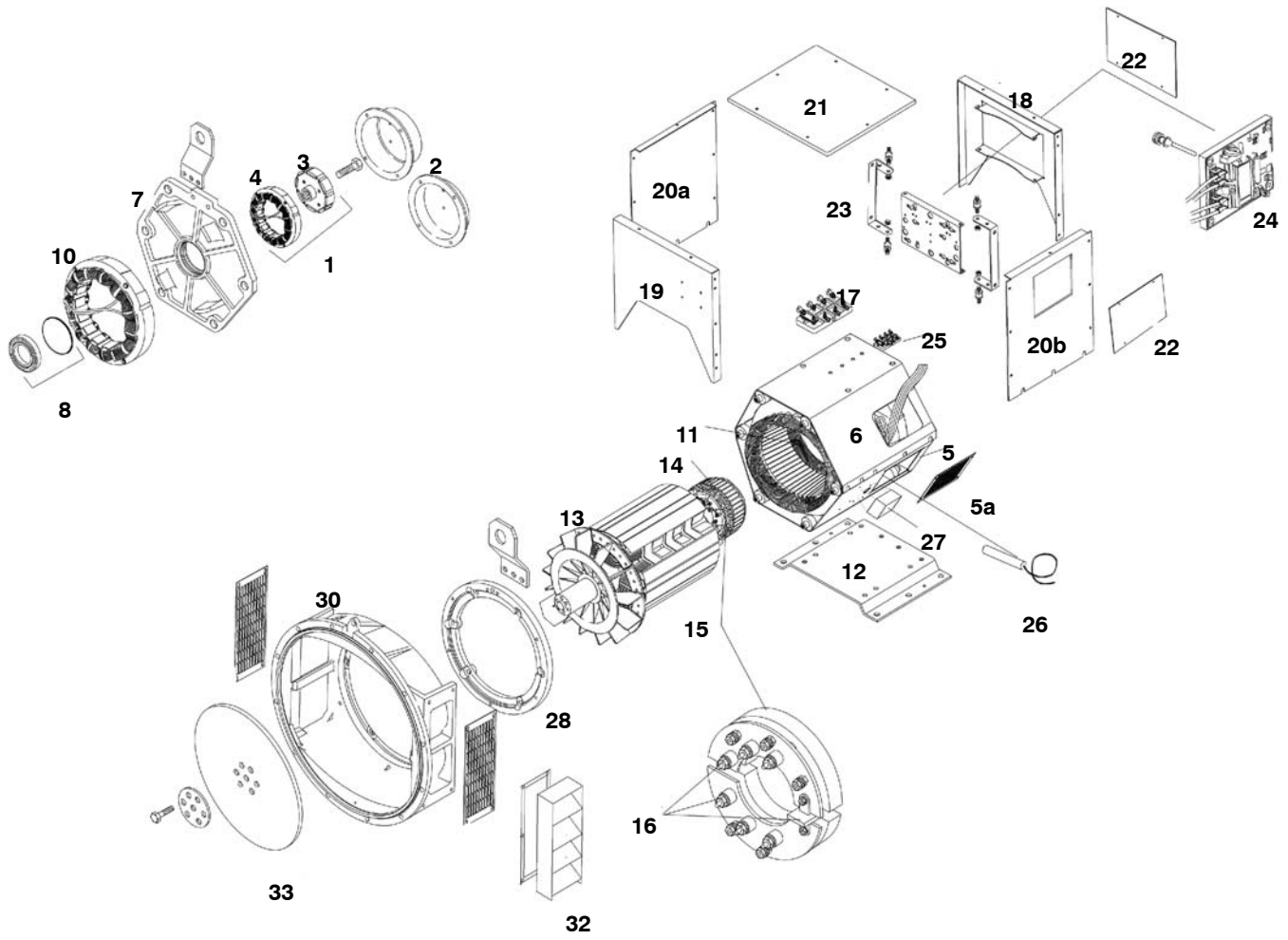
Item	Part No.	Description	Qty
1	130-20661	N.D.E, Cover	1
2	130-20667	N.D.E, Bracket	1
3	130-1381	Exciter stator (30mm) E	1
	130-1383	Exciter stator (40mm) F- G	1
	130-1801	Exciter stator H-J core only	1
4	45-0866	N.D.E, Bearing kit	1
5	130-20832	Foot	1
6	130-20802	Frame cover bottom E	1
	130-20786	Frame cover bottom F - G	1
7	130-22004	Frame cover top E	1
	130-22005	Frame cover top F - G	1
8	QMSN	Main stator bar assembly	1
9	QMSN	Main rotor shaft assembly	1
10	130-1386	Exciter rotor (30mm) E	1
	130-1388	Exciter rotor (40mm) F - G	1
	130-1800	Exciter rotor H-J core only	1
11	45-0427	Rectifier assembly	1
12	RSK-1101	Diode Fwd/Rev & Varistor Kit	1
13	130-20916	Main terminal panel to (30/10/05)	2
	130-22000	Main terminal panel from (30/10/05)	1
14	130-22008	N.D.E, Terminal panel	1
15	130-22008	D.E, Terminal panel	1
16	130-20820	Side panel (A.V.R.) to 30/10/05	1
	130-20993	Side panel (A.V.R.) from 30/10/05	1
	130-22011	Side panel (A.V.R) H - J core	1
17	130-20819	Side panel	1
	130-21627	Side panel H - J core	1
18	130-20821	Terminal box lid	1
	130-21628	Terminal box lid H - J core	1
19	45-0755	A.V.R. Mounting assy kit (no A.V.R.)	1
20	E000-24602/1P	A.V.R. SX460 (standard)	1
	E000-24608/1P	A.V.R. SX460 UL approved	1
	E000-24403/1P	A.V.R. AS440	1
	E000-24408/1P	A.V.R. AS440 UL approved	1
21	45-0195	Heater 110-120v	1
	45-0194	Heater 220-260v	1
22	45-0024	Heater terminal box (for retrofit)	1
23	45-0726	Fan SAE 3 & 4	1
24	130-20928	D.E, Adaptor bracket SAE 4	1
25	130-21325	D.E, Screen	2
26	45-0363	D.E, Bearing kit	1

BCI184 2 Bearing (4 Pole) (Continued)

Item	Part No.	Description	Qty
27	130-20774	D.E, Endbracket	1
28	45-0719	Adaptor Kit SAE 2	1
	45-0619	Adaptor Kit SAE 3	1
	45-0620	Adaptor Kit SAE 4	1
	45-0621	Adaptor Kit SAE 5	1
29	SEE ITEM 28	Adaptor screen included in adaptor kit	1

This page is Intentionally blank.

UCD22-27 1 Bearing (4 Pole)



UCD22–27 1 Bearing (4 Pole)

Item	Part No.	Description	Qty
1	45–0075A	Complete P.M.G. upfit kit	1
2	450–14360	P. M.G. C (Cover included in above kit)	1
	450–14450	NON PMG Cover	1
3	45–1080	Current P. M.G. Rotor/Stator Repair Kit	1
4	45–1080	Current P .M.G. Rotor/Stator Repair Kit	1
5	330–10386	Main stator bottom cover C–D	1
	330–10387	Main stator bottom cover E–F	1
	330–10388	Main stator bottom cover G	1
	330–10389	Main stator bottom cover H	1
5a	330–10020	Air inlet cover	2
	330–10099	Air inlet cover (Airfilter)	2
6	330–10381	Main stator top cover C–D	1
	330–10382	Main stator top cover E–F	1
	330–10383	Main stator top cover G	1
	330–10384	Main stator top cover H	1
7	330–10002	N.D.E. Bracket	1
	330–10258	N.D.E. Bracket (for use with brg rtd's)	
8	45–0868	N.D.E. Bearing Kit	1
10	230–1495	Exciter stator C & D (30mm)	1
	230–1497	Exciter stator E F & G (40mm)	1
	A052B581	Exciter stator C & D (30mm) Severe Environmental	1
	A052B588	Exciter stator E F & G (40mm) Severe Environmental	1
11	QMSN	Main stator bar assy	1
12	330–10137	Foot	1
13	QMSN	Main rotor assy	2
14	210–1037	Exciter rotor C – D 40mm	1
	310–1028	Exciter rotor E – G 60mm	1
15	45–0428	Rotating rectifier assy	1
16	RSK–2001	Diode Fwd/Rev & Varistor Kit	1
17	450–15617	Main terminal board 8 Pin	1
	230–10624	Main terminal board 7 Pin	1
18	330–10622	Terminal box endpanel N.D.E. (Plain) & ENC500	1
	330–10602	Terminal box endpanel N.D.E. (Access) & ENC500	1
	330–10634	Terminal box endpanel N.D.E. (Plain) (Low profile)	1
19	330–10601	Terminal box endpanel D.E. (Plain) & ENC500	1
	330–10630	Terminal box endpanel D.E. (Access)	1
	330–10634	Terminal box endpanel D.E. (Plain) (LOW PROFILE)	1

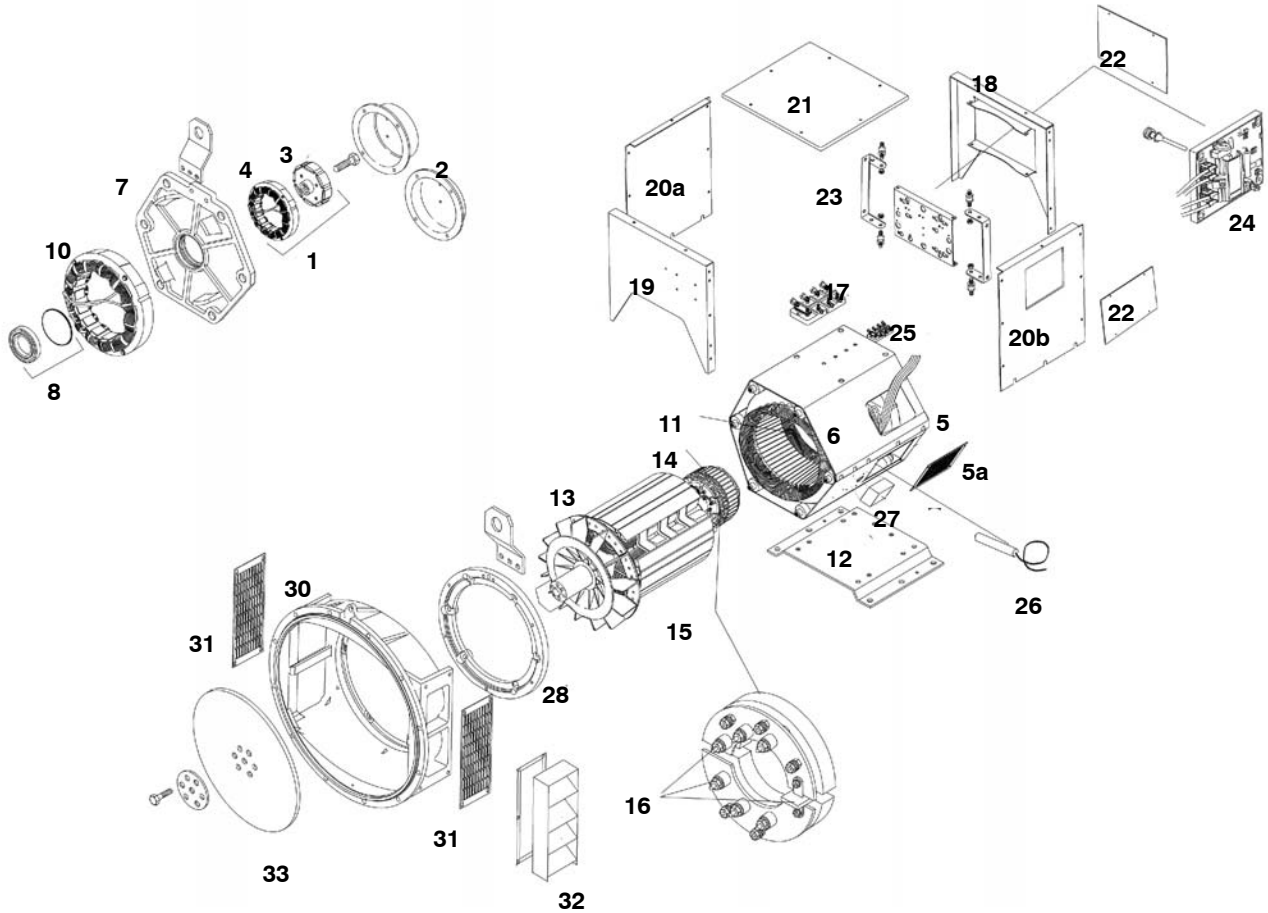
UCD22–27 1 Bearing (4 Pole) (Continued)

Item	Part No.	Description	Qty
20a	330–10603	Terminal box side panel (Left hand) (Plain) & ENC500	1
	330–10617	Terminal box side panel (Left hand) (Access) & ENC500	1
	330–10605	Terminal box side panel (Left hand) (Airfilter) & ENC500	1
	330–10600	Terminal box side panel (Left hand) (Low profile)	1
	330–10613	Terminal box side panel (Vent) (Plain) (Left hand) & ENC500 J–K Core only	1
	330–10620	Terminal box side panel (Vent) (Aperture) (Left hand) & ENC500 J–K Core only	1
	330–10611	Terminal box side panel (Vent) (Glandplate) (Left hand) & ENC500 J–K Core only	1
20b	330–10609	Terminal box side panel (Right hand) (Plain) & ENC500	
	330–10615	Terminal box side panel (Right hand) (Airfilter) & ENC500	1
	330–10606	Terminal box side panel (Right hand) (Airfilter) (Aperture) & ENC500	1
	330–10636	Terminal box side panel (Right hand) (Aperture) (Low profile)	1
	330–10614	Terminal box side panel (Vent) (Plain) (Right hand) & ENC500 J–K Core only	1
	330–10612	Terminal box side panel (Vent) (Aperture) (Right hand) & ENC500 J– K Core only	1
	21	330–10069	Terminal box lid
22	450–14310	A.V .R. Cover plate to (28/11/04)	1
	410–10536	A.V. R. Cover plate from (28/11/04)	1
23	45–0742	A.V .R. Mounting brackeT	1
24	E000–23412/1P	A.V.R. MX341 (Standard Series 3	1
	E000–23408	A.V.R. MX341 UL	1
	E000–23212/1P	A.V.R. MX321 (Series 3)	1
	E000–23215	A.V.R. MX321 UL	1
	E000–24403/1P	A.V.R. AS440 (Standard Series 4)	1
	E000–24408/1P	A.V.R. AS440 UL Approved	1
	E000–24602/1P	A.V.R. SX460 (Standard Series 6)	1
	E000–24608/1P	A.V.R. SX460 UL Approved	1
	E000–24210/1P	A.V.R. SX421	1
25	450–15489	6 Way Terminal block	2
26	45–0118	Heater 110–125 Volt	1
	A053N107	Heater 110–125 Volt UL Cert	1
	A040G630	Heater Kit 110–125 V to incl term box for retro	1
	A053X265	Heater Kit 110–125 V to incl term box for retro UL Cert	1
	45–0117	Heater 220–260 Volt	1
	A053N108	Heater 220–260 Volt UL Cert	1
	A040G622	Heater Kit 220–260 V to incl term box for retro	1
	A053X267	Heater Kit 220–260 V to incl term box for retro UL Cert	1

UCD22–27 1 Bearing (4 Pole) (Continued)

27	45-0024	Terminal box for heaters	1
28	230-10001	D.E. Adaptor ring	1
30	45-0850	UCD22 Adaptor Kit SAE 3	1
	45-0851	UCD27 Adaptor Kit SAE 2	1
	45-0852	UCD27 Adaptor Kit SAE 1	1
33	45-0839	UCD 22 Coupling Kit SAE 10	1
	45-0840	UCD 22 Coupling Kit SAE 11.5	1
	45-0768	UCD 27 Coupling Kit SAE 11.5	1
	45-0766	UCD 27 Coupling Kit SAE 14	1
		<p>NOTE: If the first position of the alternator serial number is M, the replacements for the rotor and stator are no longer available. Please contact the factory Technical Support for more information.</p>	

UCI224 – 1 Bearing



UCI224 – 1 Bearing

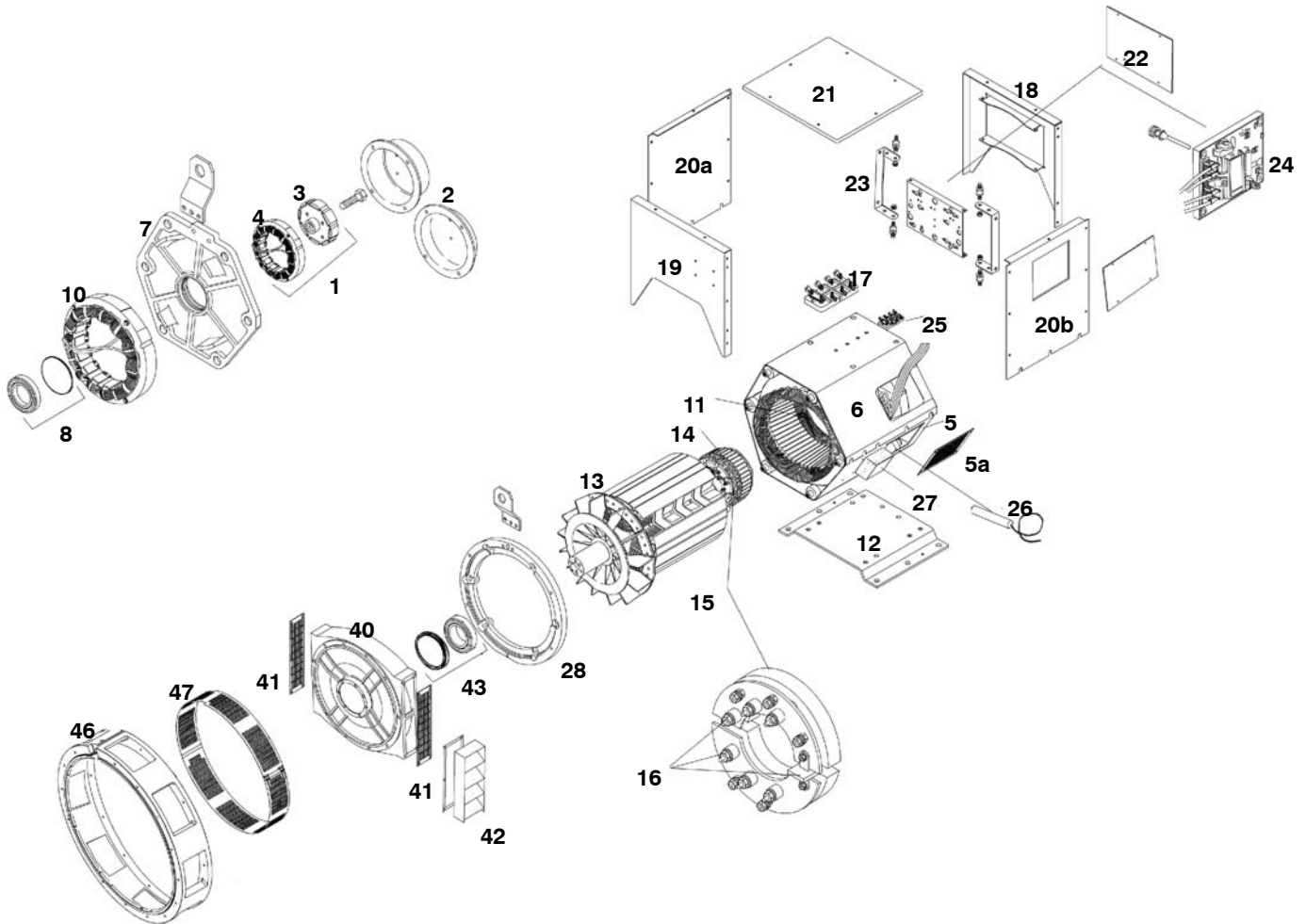
Item	Part No.	Description	Qty
1	45-0075A	Complete P.M.G. upfit kit	1
2	450-14360	P.M.G. cover (cover included in above kit)	1
	450-14450	NON PMG Cover	1
3	45-1080	Current P.M.G. rotor/stator repair kit	1
4	45-1080	Current P.M.G. rotor/stator repair kit	1
5	230-10340	Main stator bottom cover C-D	1
	230-10341	Main stator bottom cover E-F	1
	230-10342	Main stator bottom cover G	1
5a	230-10054	Air inlet cover	2
6	230-10336	Main stator top cover C-D	1
	230-10337	Main stator top cover E-F	1
	230-10338	Main stator top cover G	1
7	230-10002	N.D.E Bracket	1
8	45-0867	N.D.E Bearing kit	1
10	230-1495	Exciter stator C & D 30mm	1
	230-1497	Exciter stator E F & G 40mm	1
	A052B581	Exciter stator C & D 30mm Severe Environmental	1
	A052B588	Exciter stator E F & G 40mm Severe Environmental	1
11	QMSN	Main stator bar assy	1
12	230-10270	Foot	1
13	QMSN	Main rotor assy	2
14	210-1036	Exciter rotor C – D 30mm	1
	210-1037	Exciter rotor E – G 40mm	1
15	45-0428	Rotating rectifier assy	1
16	RSK-2001	Diode fwd/rev & varistor kit	1
17	450-15617	Main Terminal Board 8 Pin	1
	230-10624	Main Terminal Board 7 Pin	1
18	230-10566	Terminal box endpanel N.D.E. (access)	1
	230-10587	Terminal box endpanel N.D.E. (plain)	1
	230-10571	Terminal box endpanel N.D.E. (plain) low/profile	1
19	230-10565	Terminal box endpanel D.E. (plain)	1
	230-10599	Terminal box endpanel D.E. (access)	1
	A041H349	Terminal box endpanel D.E. (plain) low/profile	1
20a	230-10567	Terminal box side panel (left hand)	1
	230-10573	Terminal box side panel (access)	1
	230-10574	Terminal box side panel lh (plain) low profile	1
20b	230-10575	Terminal box side panel (right hand)	2
	230-10568	Terminal box side panel (access)	1
	230-10583	Terminal box side panel rh (plain) low profile	1
	230-10580	Terminal box side panel (rh series 5 trans)	1
	230-10627	Terminal box side panel (access no pfc)	1

UC122– 1 Bearing (Continued)

Item	Part No.	Description	Qty
21	230–10069	Terminal box lid	1
22	450–14310	A.V.R Cover plate to (28/11/04)	
	410–10536	A.V.R Cover plate from (28/11/04)	
23	45–0742	A.V.R Mounting bracket	1
24	E000–23412/1P	A.V.R. MX341 (Standard Series 3)	1
	E000–23408	A.V.R. MX341 UL	1
	E000–23212/1P	A.V.R. MX321 (Series 3)	1
	E000–23215	A.V.R. MX321 UL	1
	E000–24403/1P	A.V.R. AS440 (Standard Series 4)	1
	E000–24408/1P	A.V.R. AS440 UL Approved	1
	E000–24602/1P	A.V.R. SX460 (Standard Series 6)	1
	E000–24608/1P	A.V.R. SX460 UL Approved	1
	E000–24210/1P	A.V.R. SX421	1
25	450–15489	6 Way Terminal block	2
26	45–0118	Heater 110–125 volt	1
	A053N107	Heater 110–125 volt UL Cert	1
	A040G630	Heater Kit 110–125 v to incl term box for retro	1
	A053X265	Heater Kit 110–125 v to incl term box for retro UL Cert	1
	45–0117	Heater 220–260 volt	1
	A053N108	Heater 220–260 volt UL Cert	1
	A040G622	Heater Kit 220–260 v to incl term box for retro	1
	A053X267	Heater Kit 220–260 v to incl term box for retro UL Cert	1
27	45–0024	Terminal box for heaters	1
28	230–10001	D.E. Adaptor ring	1
30	45–0689	D.E. Adaptor Kit SAE 1	1
	45–0526	D.E. Adaptor Kit SAE 2	1
	45–0527	D.E. Adaptor Kitt SAE 3	1
	45–0528	D.E. Adaptor Kit SAE 4	1
31	See No. 30	D.E. Screen (Included in Adaptor Kits)	2
32	45–0630	D.E. Louvre SAE 1 SAE 3 & SAE 4	1
	45–0631	D.E. Louvre SAE–2	1
33	45–0757	Coupling Kit SAE 8	1
	45–0758	Coupling Kit SAE 10	1
	45–0759	Coupling Kit SAE 11.5	1
	45–0760	Coupling Kit SAE 14	1
	45–0761	Coupling Kit DELCO 15.5	1
	45–0762	Coupling Kit SAE 11.5 (For SAE 1 NEW)	1

This page is Intentionally blank.

UCI224C to G – 2 Bearing (4 Pole)



UCI224C to G – 2 Bearing (4 Pole)

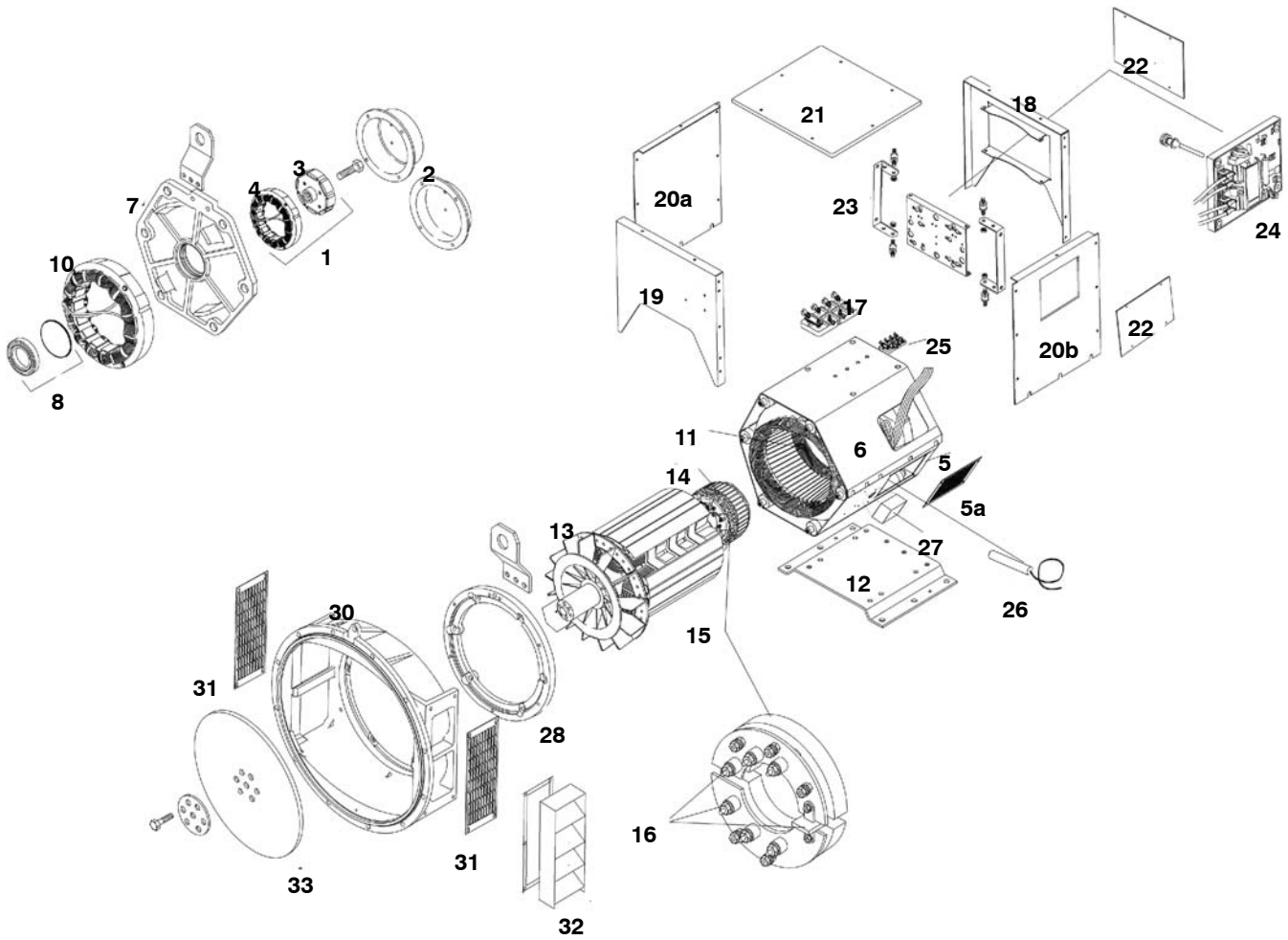
Item	Part No.	Description	Qty
1	45-0075A	Complete P.M.G. upfit kit	1
2	450-14360	P.M.G. cover (cover included in above kit)	1
	450-14450	NON PMG Cover	1
3	45-1080	Current P.M.G. rotor/stator repair kit	1
4	45-1080	Current P.M.G. rotor/stator repair kit	1
5	230-10340	Main stator bottom cover C-D	1
	230-10341	Main stator bottom cover E-F	1
	230-10342	Main stator bottom cover G	1
5a	230-10054	Air inlet cover	2
6	230-10336	Main stator top cover C-D	1
	230-10337	Main stator top cover E-F	1
	230-10338	Main stator top cover G	1
7	230-10002	N.D.E Bracket	1
8	45-0867	N.D.E Bearing kit	1
10	A052B581	Exciter stator C & D 30mm Severe Environmental	1
	A052B588	Exciter stator E F & G 40mm Severe Environmental	1
11	QMSN	Main stator bar assy	1
12	230-10270	Foot	1
13	QMSN	Main rotor assy	2
14	210-1036	Exciter rotor C – D 30mm	1
	210-1037	Exciter rotor E – G 40mm	1
15	45-0428	Rotating rectifier assy	1
16	RSK-2001	Diode fwd/rev & varistor kit	1
17	450-15617	Main Terminal board 8 Pin	1
	230-10624	Main Terminal board 7 Pin	1
18	230-10566	Terminal box endpanel N.D.E (access)	1
	230-10587	Terminal box endpanel N.D.E (plain)	1
	230-10571	Terminal box endpanel N.D.E. (plain) low/profile	1
19	230-10565	Terminal box endpanel D.E. (plain)	1
	230-10599	Terminal box endpanel D.E. (access))	1
	A041H349	Terminal box endpanel D.E. (plain) low/profile	1
20a	230-10567	Terminal box side panel (left hand)	1
	230-10573	Terminal box side panel (access)	1
	230-10574	Terminal box side panel lh (plain) low profile	1
20b	230-10575	Terminal box side panel (right hand)	2
	230-10568	Terminal box side panel (access)	1
	230-10583	Terminal box side panel rh (plain) low profile	1
	230-10580	Terminal box side panel (rh series 5 trans)	1
	230-10627	Terminal box side panel (access no pfc)	1
21	230-10069	Terminal box lid	1
22	450-14310	A.V.R Cover plate to (28/11/04)	1
	410-10536	A.V.R Cover plate from (28/11/04)	1

UCI224C to G – 2 Bearing (4 Pole) (Continued)

Item	Part No.	Description	Qty
23	45-0742	A.V.R Mounting bracket	1
24	E000-23412/1P	A.V.R. MX341 (Standard Series 3)	1
	E000-23408	A.V.R. MX341 UL	1
	E000-23212/1P	A.V.R. MX321 (Series 3)	1
	E000-23215	A.V.R. MX321 UL	1
	E000-24403/1P	A.V.R. AS440 (Standard Series 4)	1
	E000-24408/1P	A.V.R. AS440 UL Approved	1
	E000-24602/1P	A.V.R. SX460 (Standard Series 6)	1
	E000-24608/1P	A.V.R. SX460 UL Approved	1
	E000-24210/1P	A.V.R. SX421	1
25	450-15489	6 Way Terminal block	2
26	45-0118	Heater 110-125 volt	1
	A053N107	Heater 110-125 volt UL Cert	1
	A040G630	Heater Kit 110-125 v to incl term box for retro	1
	A053X265	Heater Kit 110-125 v to incl term box for retro UL Cert	1
	45-0117	Heater 220-260 volt	1
	A053N108	Heater 220-260 volt UL Cert	1
	A040G622	Heater Kit 220-260 v to incl term box for retro	1
	A053X267	Heater Kit 220-260 v to incl term box for retro UL Cert	1
27	45-0024	Terminal box for heaters	1
28	230-10001	D.E. Adaptor ring	1
40	230-10073	D.E. Bracket	1
41	210-10121	D.E. Screen	1
42	45-0632	Louvre	1
43	45-0365	D.E. Bearing Kit	1
46	45-0529	Adaptor Kit SAE 1	2
	45-0530	Adaptor Kit SAE 2	1
	45-0604	Adaptor Kit SAE 2 (DIN)	1
	45-0531	Adaptor Kit SAE 3	1
	45-0532	Adaptor Kit SAE 4	1
	45-0533	Adaptor Kit SAE 5	1
47	See No.46	Adaptor cover (included in Adaptor kits)	1

This page is Intentionally blank.

UCI274C to H 1 Bearing



UCI274C to H 1 Bearing

Item	Part No.	Description	Qty
1	45-0075A	Complete P.M.G. upfit kit	1
2	450-14360	P.M.G. cover (cover included in above kit)	1
	450-14450	NON P.M.G cover	1
3	45-1080	Current P.M.G. rotor/stator repair kit	1
4	45-1080	Current P.M.G. rotor/stator repair kit	1
5	330-10386	Main stator bottom cover C-D	1
	330-10387	Main stator bottom cover E-F	1
	330-10388	Main stator bottom cover G	1
	330-10389	Main stator bottom cover H	1
5a	330-10020	Air inlet cover	2
	330-10099	Air inlet cover (Airfilter)	2
6	330-10381	Main stator top cover C-D	1
	330-10382	Main stator top cover E-F	1
	330-10383	Main stator top cover G	1
6	330-10384	Main stator bottom cover H	1
7	330-10002	N.D.E. Bracket	1
	330-10258	N.D.E.Bracket (for use with Brg RTD's)	
8	45-0868	N.D.E. Bearing kit	1
10	230-1497	Exciter stator C - D (40mm)	1
	330-1280	Exciter stator E - H (60mm)	1
	A052B588	Exciter stator C - D (40mm) Severe Environmental	1
	A052B648	Exciter stator E - H (60mm) Severe Environmental	1
11	QMSN	Main stator bar assy	1
12	330-10137	Foot	1
13	QMSN	Main rotor assy	2
14	210-1037	Exciter rotor C - D 40mm	1
	310-1028	Exciter rotor E - G 60mm	1
15	45-0428	Rotating rectifier assy	1
16	RSK-2001	Diode fwd/rev & varistor kit	1
17	450-15617	Main Terminal board 8 Pin	1
	230-10624	Main Terminal board 7 Pin	1
18	330-10622	Terminal box endpanel N.D.E. (Plain) & ENC500	1
	330-10602	Terminal box endpanel N.D.E. (Access) & ENC500	1
	330-10634	Terminal box endpanel N.D.E. (Plain) (Low Profile)	1
19	330-10601	Terminal box endpanel D.E. (Plain) & ENC500	1
	330-10630	Terminal box endpanel D.E. (Access)	1
	330-10634	Terminal box endpanel D.E.(Plain) (Low Profile)	1

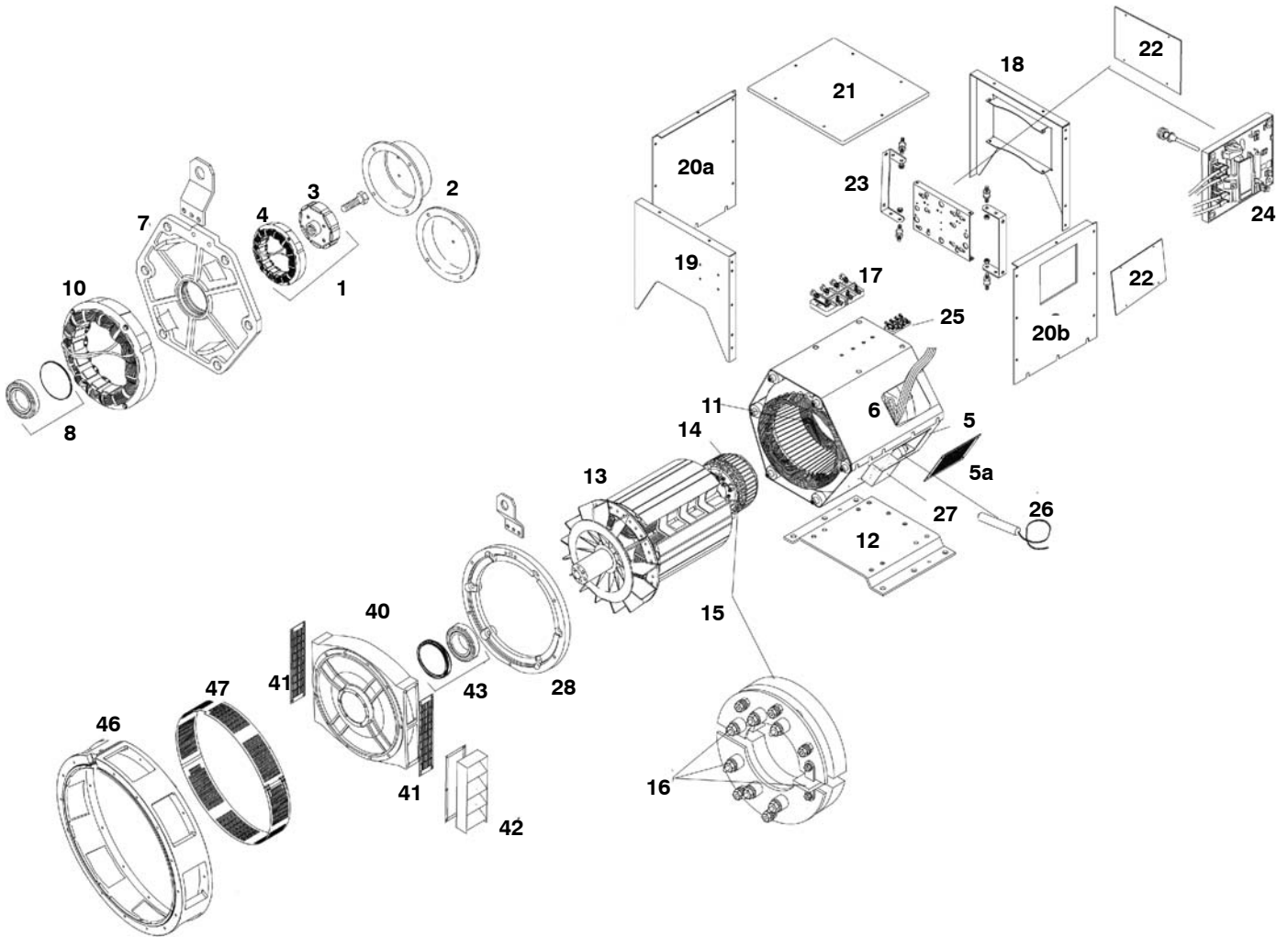
UCI274C to H 1 Bearing (Continued)

Item	Part No.	Description	Qty
20a	330-10603	Terminal box side panel (Left hand) (Plain) & ENC500	1
	330-10617	Terminal box side panel (Left hand) (Access) & ENC500	1
	330-10605	Terminal box side panel (Left hand) (Airfilter) & ENC500	1
	330-10600	Terminal box side panel (Left hand) (Low Profile)	1
	330-10613	Terminal box side panel (Vent) (Plain) (Left hand) & ENC500 J-K Core only	1
	330-10620	Terminal box side panel (Vent) (Aperture) (Left hand) & ENC500 J-K Core only	1
	330-10611	Terminal box side panel (Vent) (Glandplate (Left hand) & ENC500 J-K Core only	1
	330-10615	Terminal box side panel (Right Hand) (Airfilter) & ENC500	1
	330-10606	Terminal box side panel (Right Hand) (Airfilter) (Aperture) & ENC500	1
	330-10636	Terminal box side panel (Right Hand) (Aperture) (Low Profile)	1
	330-10614	Terminal box side panel (Vent) (Plain) (Right Hand) & ENC500 J-K Core only	1
	330-10612	Terminal box side panel (Vent) (Aperture) (Right Hand) & ENC500 J-K Core only	1
21	330-10069	Terminal box lid	1
22	450-14310	A.V.R Cover plate to (28/11/04)	1
	410-10536	A.V.R Cover plate from (28/11/04)	1
23	45-0742	A.V.R. Mounting bracket	1
24	E000-23412/1P	A.V.R. MX341 (Standard Series 3)	1
	E000-23408	A.V.R. MX341 UL	1
	E000-23212/1P	A.V.R. MX321 (Series 3)	1
	E000-23215	A.V.R. MX321 UL	1
	E000-24403/1P	A.V.R. AS440 (Standard Series 4)	1
	E000-24408/1P	A.V.R. AS440 UL Approved	1
	E000-24602/1P	A.V.R. SX460 (Standard Series 6)	1
	E000-24608/1P	A.V.R. SX460 UL Approved	1
	E000-24210/1P	A.V.R. SX421	1
25	450-15489	6 way Terminal block	2
26	45-0118	Heater 110-125 VOLT	1
	A053N107	Heater 110-125 VOLT UL Cert	1
	A040G630	Heater Kit 110-125 v to incl term box for retro	1
	A053X265	Heater Kit 110-125 v to incl term box for retro UL Cert	1
	45-0117	Heater 220-260 VOLT	1
	A053N108	Heater 220-260 VOLT UL Cert	1
	A040G622	Heater kit 220-260 v to incl term box for retro	1
	A053X267	Heater kit 220-260 v to incl term box for retro UL Cert	1
27	45-0024	Terminal box for heaters	1
28	230-10001	D.E Adaptor ring	1

UCI274C to H 1 Bearing (Continued)

30	45-0690	D.E. Adaptor Kit SAE 1	1
	45-0520	D.E. Adaptor Kit SAE 2	1
	45-0521	D.E. Adaptor Kit SAE 3	1
31	310-10400	D.E. Screen (Included in Adaptor Kits)	1
32	45-0633	D.E. Louvre	1
33	45-0764	Coupling Kit SAE 10	1
	45-0765	Coupling Kit SAE 11.5	1
	45-0766	Coupling Kit SAE 14	1
	45-0767	Coupling Kit DELCO 17.75	1
	45-0768	Coupling Kit SAE 11.5 (For SAE 1 New)	1

UCI274C to H 2 Bearing (4 Pole)



UCI274C to H 2 Bearing (4 Pole)

Item	Part No.	Description	Qty
1	45-0075A	Complete P.M.G. upfit kit	1
2	450-14360	P.M.G. cover (cover included in above kit)	1
	450-14450	NON PMG Cover	1
3	45-1080	Current P.M.G. rotor/stator repair kit	1
4	45-1080	Current P.M.G. rotor/stator repair kit	1
5	330-10386	Main stator bottom cover C-D	1
	330-10387	Main stator bottom cover E-F	1
	330-10388	Main stator bottom cover G	1
	330-10389	Main stator bottom cover H	1
5a	330-10020	Air inlet cover	2
	330-10099	Air inlet cover (Airfilter)	2
6	330-10381	Main stator top cover C-D	1
	330-10382	Main stator top cover E-F	1
	330-10383	Main stator top cover G	1
	330-10384	Main stator top cover H	1
7	330-10002	N.D.E. Bracket	1
	330-10258	N.D.E. Bracket (For use with Brg RTD's)	
8	45-0868	N.D.E. Bearing kit	1
10	230-1497	Exciter stator C - D (40mm)	1
	330-1280	Exciter stator E - H (60mm)	1
	A052B588	Exciter stator C - D (40mm) Severe Environmental	1
	A052B648	Exciter stator E - H (60mm) Severe Environmental	1
11	QMSN	Main stator bar assy	1
12	330-10137	Foot	1
13	QMSN	Main rotor assy	2
14	210-1037	Exciter rotor C - D 40mm	1
	310-1028	Coupling Kit E - G 60mm	1
15	45-0428	Rotating rectifier assy	1
16	RSK-2001	Diode fwd/rev & varistor kit	1
17	450-15617	Main Terminal board 8 Pin	1
	230-10624	Main Terminal board 7 Pin	1
18	330-10622	Terminal box endpanel N.D.E. (Plain) & ENC500	1
	330-10602	Terminal box endpanel N.D.E. (Access) & ENC500	1
	330-10634	Terminal box endpanel N.D.E. (Plain) (Low Profile)	1
19	330-10601	Terminal box endpanel D.E. (Plain) & ENC500	1
	330-10630	Terminal box endpanel D.E. (Access)	1
	330-10634	Terminal box endpanel D.E. (Plain) (Low Profile)	1

UCI274C to H 2 Bearing (4 Pole) (Continued)

Item	Part No.	Description	Qty
20a	330-10603	Terminal box endpanel (Left hand) (Plain) & ENC500	1
	330-10617	Terminal box endpanel (Left hand) (Access) & ENC500	1
	330-10605	Terminal box side panel (Left hand) (Airfilter) & ENC500	1
	330-10600	Terminal box side panel (Left hand) (Low Profile)	1
	330-10613	Terminal box side panel (Vent) (Plain) (Left hand) & ENC500 J-K Core Only	1
	330-10620	Terminal box side panel (Vent) (Aperture) (Left hand) & ENC500 J-KCore Only	1
	330-10611	Terminal box side panel (Vent) (Glandplate) (Left hand) & ENC500 J-K Core Only	1
20b	330-10609	Terminal box side panel (Right Hand) (Plain) & ENC500	
	330-10615	Terminal box side panel (Right Hand) (Airfilter) & ENC500	1
	330-10606	Terminal box side panel (Right Hand) (Airfilter)(Aperture) & ENC500	1
	330-10636	Terminal box side panel (Right Hand)(Airfilter) (Low Profile)	1
	330-10614	Terminal box side panel (Vent) (Plain) ((Right Hand)) & ENC500 J-K Core Only	1
	330-10612	Terminal box side panel (Vent) (Aperture) ((Right Hand)) & ENC500 J- K Core Only	1
21	330-10069	Terminal box lid	1
22	450-14310	A.V.R.Cover plate to (28/11/04)	1
	410-10536	A.V.R. Cover plate from (28/11/04)	1
23	45-0742	A.V.R. Mounting bracket	1
24	E000-23412/1P	A.V.R. MX341 (Standard Series 3)	1
	E000-23408	A.V.R. MX341 UL	1
	E000-23212/1P	A.V.R. MX321 (Series 3)	1
	E000-23215	A.V.R. MX321 UL	1
	E000-24403/1P	A.V.R. AS440 (Standard Series 4)	1
	E000-24408/1P	A.V.R. AS440 UL Approved	1
	E000-24602/1P	A.V.R. SX460 (Standard Series 6)	1
	E000-24608/1P	A.V.R. SX460 UL Approved	1
	E000-24210/1P	A.V.R. SX421	1
25	450-15489	6 Way Terminal block	2
26	45-0118	Heater 110-125 VOLT	1
	A053N107	Heater 110-125 VOLT UL Cert	1
	A040G630	Heater Kit 110-125 v to incl term box for retro	1
	A053X265	Heater Kit 110-125 v to incl term box for retro UL Cert	1
	45-0117	Heater 220-260 volt	1
	A053N108	Heater 220-260 volt UL Cert	1
	A040G622	Heater Kit 220-260 v to incl term box for retro	1
	A053X267	Heater Kit 220-260 v to incl term box for retro UL Cert	1
	27	45-0024	Terminal box for heaters
28	230-10001	D.E Adaptor ring	1
40	330-10076	D.E.Bracket	1

UCI274C to H 2 Bearing (4 Pole) (Continued)

Item	Part No.	Description	Qty
41	310-10049	D.E. Screen	2
42	45-0634	Louvre	1
43	45-0367	D.E.Bearing kit	1
46	45-0522	Adaptor Kit SAE 1	1
	45-0523	Adaptor Kit SAE 2	1
	45-0524	Adaptor Kit SAE 3	1
	45-0863	Adaptor Kit DIN 1	1
	45-0912	Adaptor Kit DIN 2	1
47	See No.46	Adaptor cover (Included in Adaptor Kits)	1

HC434C to F – 1 Bearing

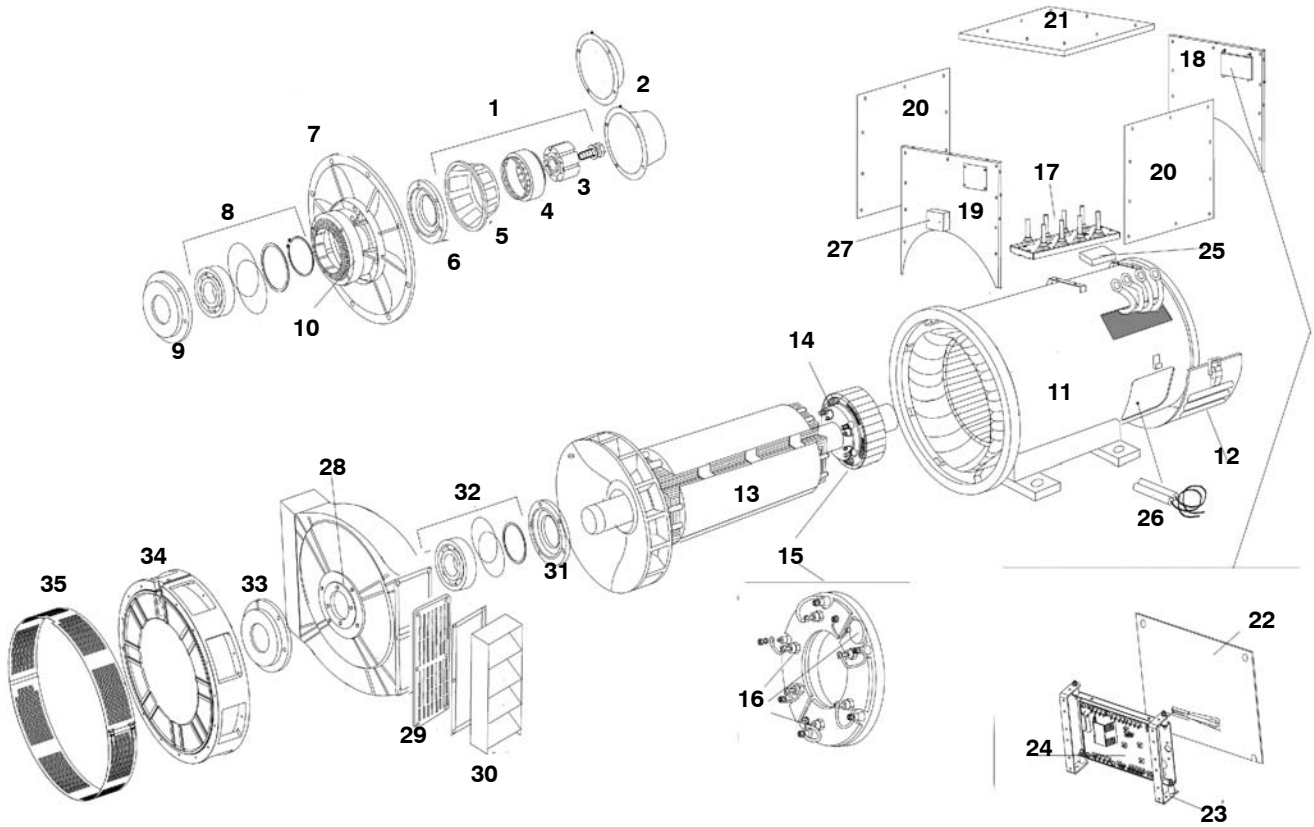
Item	Part No.	Description	Qty
1	45-0059A	Complete P.M.G. upfit kit (to 18/08/00) (Obsolete)	1
	45-0318A	Complete P.M.G. upfit kit	1
2	450-13350	P.M.G. Cover only Incl in Kit 45-0059A	1
	410-10704	P.M.G. Cover only Incl in Kit 45-0318A	1
	450-12590	NON PMG Cover (to 18/08/00)	1
	410-10705	NON PMG Cover(from 18/08/00)	1
3	45-1082	Current P.M.G. rotor/stator repair kit	1
4	45-1082	Current P.M.G. rotor/stator repair kit	1
5	See No. 1	P.M.G. Crown (if fitted)	1
6	410-10267	N.D.E. Bearing cap to (18/08/2000)	1
7	410-10256	N.D.E. Bracket to (02/2000)	1
	410-10703	N.D.E. Bracket from (02/2000)	1
8	45-0291	N.D.E. Bearing Kit (Sealed) to (18/08/00)	1
	45-0320	N.D.E. Bearing Kit (Sealed) from (18/08/00)	1
9	458-10110	N.D.E. Bearing cartridge to (18/08/2000)	1
10	410-1052	Exciter stator 50mm	1
	A052D639	Exciter stator 50mm Severe Environmental	1
11	Q.M.S.N.	Main stator frame assy	1
12	458-20200	N.D.E. Air inlet cover (louvred)	1
	410-10799	N.D.E. Air inlet cover (industrial)	1
	458-20400	N.D.E. Air inlet cover (airfilter)	1
13	Q.M.S.N.	Main rotor assy	1
14	458-22800	Exciter rotor 50mm to (22/11/99)	1
	410-1194	Exciter rotor 50mm from (22/11/99)	1
15	450-16016	Rotating rectifier assy	1
16	RSK-5001	Diode fwd/rev & varistor kit	1
17	410-10720	Main terminal board	1
18	410-10494	Terminal box endpanel N.D.E. to (21/07/02)	1
	410-10785	Terminal box endpanel N.D.E. from (21/07/02)	1
	410-10872	Terminal box endpanel N.D.E. (EU Machine Dir.)	1
	410-10790	Terminal box endpanel n d.e. reconnectable 410-10790	1
19	410-10495	Terminal box endpanel D.E.to (21/07/02)	1
	410-10784	Terminal box endpanel D.E. from (21/07/02)	1
	410-10871	Terminal box endpanel D.E. (EU Machine Dir.)	1
	410-10789	Terminal box endpanel D.E. reconnectable	1

HC434C to F – 1 Bearing (Continued)

Item	Part No.	Description	Qty
20	410-10496	Terminal box side panel to (21/07/98)	2
	410-10786	Terminal box side panel from (21/07/98)	2
	410-10803	Terminal box side panel (airfilter)	2
	410-10859	Terminal box side panel (airfilter) (EU Machine Dir.)	2
	410-10870	Terminal box side panel (aperture) (EU Machine Dir.)	2
	410-10819	Terminal box side panel (avr/pfc rhs)	1
	410-10873	Terminal box side panel (avr/pfc rhs) (EU Machine Dir.)	1
	410-10788	Terminal box side panel (glandplate)	2
	21	410-10173	Terminal box lid to (21/07/98)
410-10497		Terminal box lid from (21/07/98)	1
22	410-10536	A.V.R. Cover plate to (21/07/02)	1
	450-15254	A.V.R. Cover plate from (21/07/02)	1
	450-16414	A.V.R. Cover (EU Machine Dir.)	1
	450-16413	A.V.R. Plastic Cover (EU Machine Dir.)	1
23	45-0742	A.V.R. Mounting bracket	1
24	E000-23412/1P	A.V.R. MX341 (standard series 3)	1
	E000-23408	A.V.R. MX341 UL	1
	E000-24403/1P	A.V.R. AS440 (standard series 4)	1
	E000-24408/1P	A.V.R. AS440 UL approved	2
	E000-23212/1P	A.V.R. MX321	1
	E000-23215	A.V.R. MX321 UL	1
	E000-24210/1P	A.V.R. SX421	1
25	450-15489	Auxiliary terminal board	2
26	45-0373	Heater 110-125 volt	1
	A053M968	Heater 110-125 volt UL Cert	1
	A040G624	Heater Kit 110-125V to Incl term box for retro	1
	A053X252	Heater Kit 110-125V to Incl term box for retro UL Cert	1
	45-0374	Heater 220-260 volt	1
	A053N002	Heater 220-260 volt UL Cert	1
	A040G620	Heater 220-260V to Incl term box for retro	1
	A053X255	Heater 220-260V to Incl term box for retro UL Cert	1
27	45-0024	Terminal box for heaters	1
28	45-0663	D.E. adaptor Kit SAE 0	1
	45-0664	D.E. adaptor Kit SAE 0.5	1
	45-0665	D.E. adaptor Kit SAE 1	1
	45-0721	D.E. adaptor Kit SAE 2	1
	45-0753	D.E. adaptor Kit SAE 3	1
	45-0916	D.E. adaptor Kit SAE1 round	1
	29	410-10762	D.E. Screen Incl in Adaptor Kits
30	45-0651	D.E. Louvre SAE 0.5 & 1	1
	45-0652	D.E. Louvre SAE-0	1
31	45-0776	Coupling Kit SAE 11.5	2
	45-0777	Coupling Kit SAE 14	1
	45-0778	Coupling Kit SAE 18	1
	45-0779	Coupling Kit SAE 17.75	1

This page is Intentionally blank.

HC434C to F – 2 Bearing



HC434C to F – 2 Bearing

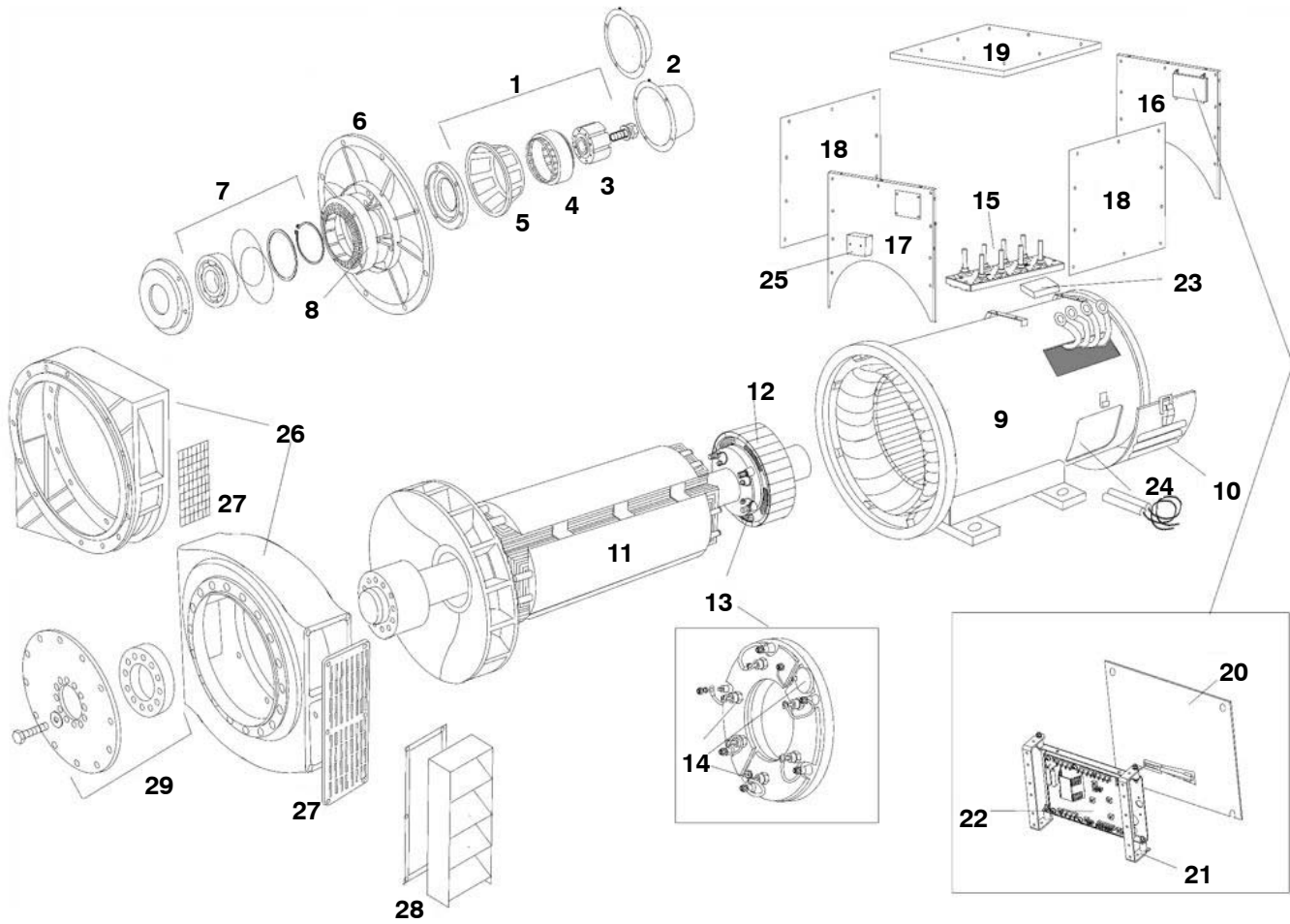
Item	Part No.	Description	Qty
1	45-0059A	Complete P.M.G. upfit kit (to 18/08/00) (Obsolete)	1
	45-0318A	Complete P.M.G. upfit kit	1
2	450-13350	P.M.G. Cover only included in Kit 45-0059A	1
	410-10704	P.M.G. Cover only included in Kit 45-0318A	1
	450-12590	NON PMG Cover (to 18/08/00)	1
	410-10705	NON PMG Cover(from 18/08/00)	1
3	45-1082	Current P.M.G. rotor/stator repair kit	1
4	45-1082	Current P.M.G. rotor/stator repair kit	1
5	See No. 1	P.M.G. Crown (if fitted)	1
6	410-10268	N.D.E. Bearing cap to (18/08/2000)	1
7	410-10256	N.D.E. Bracket to (02/2000)	1
	410-10703	N.D.E. Bracket from (02/2000)	1
8	45-0291	N.D.E. Bearing Kit (Sealed) to (18/08/00)	1
	45-0320	N.D.E. Bearing Kit (Sealed) from (18/08/00)	1
9	458-12960	N.D.E. Bearing cartridge to (18/08/2000)	1
10	410-1052	Exciter stator 50mm	1
	A052D639	Exciter stator 50mm Severe Environmental	1
11	Q.M.S.N.	Main stator frame assy	1
12	458-20200	N.D.E. Air inlet cover (louvred)	1
	410-10799	N.D.E. Air inlet cover (industrial)	1
	458-20400	N.D.E. Air inlet cover (airfilter)	1
13	Q.M.S.N.	Main rotor assy	1
14	458-22800	Exciter rotor 50mm to (22/11/99)	1
	410-1194	Exciter rotor 50mm from (22/11/99)	1
15	450-16016	Rotating rectifier assy	1
16	RSK-5001	Diode fwd/rev & varistor kit	1
17	410-10720	Main terminal board	1
18	410-10494	Terminal box endpanel N.D.E. to (21/07/02)	1
	410-10785	Terminal box endpanel N.D.E. from (21/07/02)	1
	410-10872	Terminal box endpanel N.D.E. (EU Machine Dir.)	1
	410-10790	Terminal box endpanel N.D.E. reconnectable 410-10790	1
19	410-10495	Terminal box endpanel D.E. to (21/07/02)	1
	410-10784	Terminal box endpanel D.E. from (21/07/02)	1
	410-10871	Terminal box endpanel D.E. (EU Machine Dir.)	1
	410-10789	Terminal box endpanel D.E. reconnectable	1

HC434C to F – 2 Bearing (Continued)

Item	Part No.	Description	Qty
20	410-10496	Terminal box side panel to (21/07/98)	2
	410-10786	Terminal box side panel from (21/07/98)	2
	410-10803	Terminal box side panel (airfilter)	2
	410-10859	Terminal box side panel (airfilter) (EU Machine Dir.)	2
	410-10870	Terminal box side panel (aperture) (EU Machine Dir.)	2
	410-10819	Terminal box side panel (avr/pfc rhs)	1
	410-10873	Terminal box side panel (avr/pfc rhs) (EU Machine Dir.)	1
	410-10788	Terminal box side panel (glandplate)	2
	21	410-10173	Terminal box lid to (21/07/98)
410-10497		Terminal box lid from (21/07/98)	1
22	410-10536	A.V.R. Cover plate to (21/07/02)	1
	450-15254	A.V.R. Cover plate from (21/07/02)	1
	450-16414	A.V.R. Cover (EU Machine Dir.)	1
	450-16413	A.V.R. Plastic Cover (EU Machine Dir.)	1
23	45-0742	A.V.R. Mounting bracket	1
24	E000-23412/1P	A.V.R. MX341 (standard series 3)	1
	E000-23408	A.V.R. MX341 UL	1
	E000-24403/1P	A.V.R. AS440 (standard series 4)	1
	E000-24408/1P	A.V.R. AS440 UL approved	2
	E000-23212/1P	A.V.R. MX321	1
	E000-23215	A.V.R. MX321 UL	1
	E000-24210/1P	A.V.R. SX421	1
25	450-15489	Auxiliary terminal board	2
26	45-0073	Heater 110-125 volt	1
	A053M968	Heater 110-125 volt UL Cert	1
	A040G624	Heater Kit 110-125v to incl term box for retro	1
	A053X252	Heater Kit 110-125v to incl term box for retro UL Cert	1
	45-0074	Heater 220-260 volt	1
	A053N002	Heater 220-260 volt UL Cert	1
	A040G620	Heater Kit 220-260v to incl term box for retro	1
	A053X255	Heater Kit 220-260v to incl term box for retro UL Cert	1
	27	45-0024	Terminal box for heaters
28	458-11170	D.E. Bracket to (12/09/04)	1
	410-10781	D.E. Bracket from (12/09/04)	1
29	458-10260	D.E. Bracket screen	1
30	45-0653	D.E. Louvre	1
31	458-10130	D.E. Bearing cartridge to (18/08/00)	1
	410-10708	D.E. Bearing cartridge from (18/08/00)	1
32	45-0290	D.E. Bearing Kit (Sealed) to (18/08/00)	1
	45-0319	D.E. Bearing kit (Sealed) from (18/08/00)	1
33	410-10269	D.E. Bearing cap outer to (18/08/00)	1
	458-10706	D.E. Bearing cap outer from (18/08/00)	2
34	45-0675	2 Brg Adaptor Kit (SAE 0)	1
	45-0677	2 Brg Adaptor Kit (SAE 0.5)	1
	45-0676	2 Brg Adaptor Kit (SAE 1)	1
	45-0910	2 Brg Adaptor Kit (DIN 1)	1
35	Included in 34	D.E. Cover Screen (Included in Kits)	2

This page is Intentionally blank.

S4 – 1 Bearing



S4 – 1 Bearing

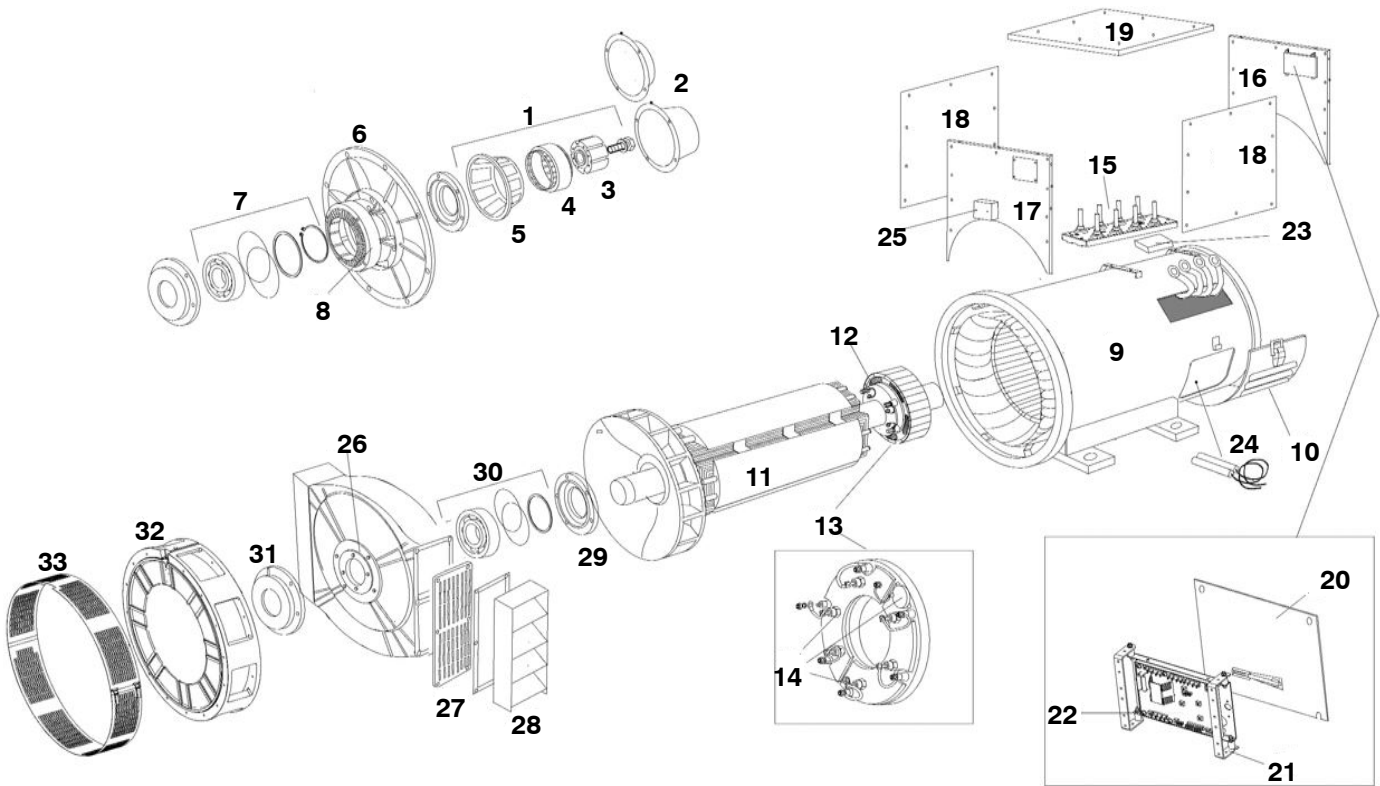
Item	Part No.	Description	Qty
1	45-0318A	Complete P.M.G. Upfit Kit	1
2	410-10704	P.M.G. Cover Only Included in Item 1	1
	410-10705	Non P.M.G. Cover (From 18/08/00)	
3	45-1082	Current P.M.G. Rotor/Stator Repair Kit	1
4	45-1082	Current P.M.G. Rotor/Stator Repair Kit	1
5	See Item 1	P.M.G. Crown (If Fitted)	1
6	410-10703	N.D.E. Bracket From (02/2000)	1
7	45-0320	N.D.E. Bearing Kit From (18/08/00)	1
8	410-1052	Exciter Stator 50mm	1
	A052D639	Exciter Stator 50mm Severe Environmental	1
9	*	Main Stator Frame Assy	1
10	458-20200	N.D.E. Air Inlet Cover (Louvred)	1
	410-10799	N.D.E. Air Inlet Cover (Industrial)	1
	458-20400	N.D.E. Air Inlet Cover (Air Filter)	1
11	*	Main Rotor Assy	1
12	410-1194	Exciter Rotor 50mm From (22/11/99)	1
13	450-16016	Rotating Rectifier Assy	1
14	RSK-5001	Diode FWD/REV & Varistor Kit	1
15	410-10720	Main Terminal Board	1
16	410-10785	Terminal Box Endpanel N.D.E. From (21/07/02)	1
	410-10872	Terminal Box Endpanel N.D.E. From (EU Machine Dir.)	1
	410-10790	Terminal Box Endpanel N.D.E. Reconstructable 410-10790	1
17	410-10784	Terminal Box Endpanel D.E. From (21/07/02)	1
	410-10871	Terminal Box Endpanel D.E. From (EU Machine Dir.)	1
	410-10789	Terminal Box Endpanel N.D.E. Reconstructable	1
18	410-10786	Terminal Box Side Panel From (21/07/98)	2
	410-10803	Terminal Box Side Panel (Air Filter)	2
	410-10859	Terminal Box Side Panel (Air Filter) (EU Machine Dir.)	2
	410-10870	Terminal Box Side Panel (Aperture) (EU Machine Dir.)	1
	410-10819	Terminal Box Side Panel (AVR/PFC RHS)	1
	410-10873	Terminal Box Side Panel (AVR/PFC RHS) (EU Machine Dir.)	1
	410-10788	Terminal Box Side Panel (Glandplate)	2
19	410-10497	Terminal Box Lid From (21/07/98)	1
20	450-15254	A.V.R. Cover Plate From (21/07/02)	1
21	45-0742	A.V.R. Mounting Bracket	1
		Continued...	

S4 – 1 Bearing (Continued)

Item	Part No.	Description	Qty
22	E000-23412/1P	A.V.R. MX341 (Standard Series 3)	1
	A040H491	A.V.R. MX341 UL	1
	E000-24403/1P	A.V.R. AS440 (Standard Series 4)	1
	E000-24408/1P	A.V.R. AS440 UL Approved	1
	E000-23212/1P	A.V.R. MX321	1
	E000-23215	A.V.R. MX321 UL	1
	E000-24210/1P	A.V.R. SX421	1
	23	450-15489	Auxiliary Terminal Board
24	45-0073	Heater 110-125 Volt	1
	A053M968	Heater 110-125 Volt UL Cert.	1
	A040G624	Heater Kit 110-125V to Incl Term Box for Retro	1
	A053X252	Heater Kit 110-125V to Incl Term Box for Retro UL Cert.	1
	45-0074	Heater 220-260 Volt	1
	A053N002	Heater 220-260 Volt UL Cert.	1
	A040G620	Heater 220-260V to Incl Term Box for Retro	1
	A053X255	Heater 220-260V to Incl Term Box for Retro UL Cert.	1
25	45-0024	Terminal Box for Heaters	1
26	45-0663	D.E. Adapter Kit (SAE 0)	1
	45-0664	D.E. Adapter Kit (SAE 0.5)	1
	45-0665	D.E. Adapter Kit (SAE 1)	1
	45-0721	D.E. Adapter Kit (SAE 2)	1
	45-0753	D.E. Adapter Kit (SAE 3)	1
	45-0916	D.E. Adapter Kit (SAE 1 Round)	1
	27	410-10762	D.E. Screen (Included in Adapter Kits)
28	45-0651	D.E. Louvre (SAE 0.5 & 1)	1
	45-0652	D.E. Louvre (SAE-0)	1
29	45-0776	Coupling Kit SAE 11.5	1
	45-0777	Coupling Kit SAE 14	1
	45-0778	Coupling Kit SAE 18	1
	45-0779	Coupling Kit SAE 17.75	1
		* This part number depends on your machine serial number. Contact your regional CGT technical support team.	

This page is Intentionally blank.

S4 – 2 Bearing



S4 – 2 Bearing

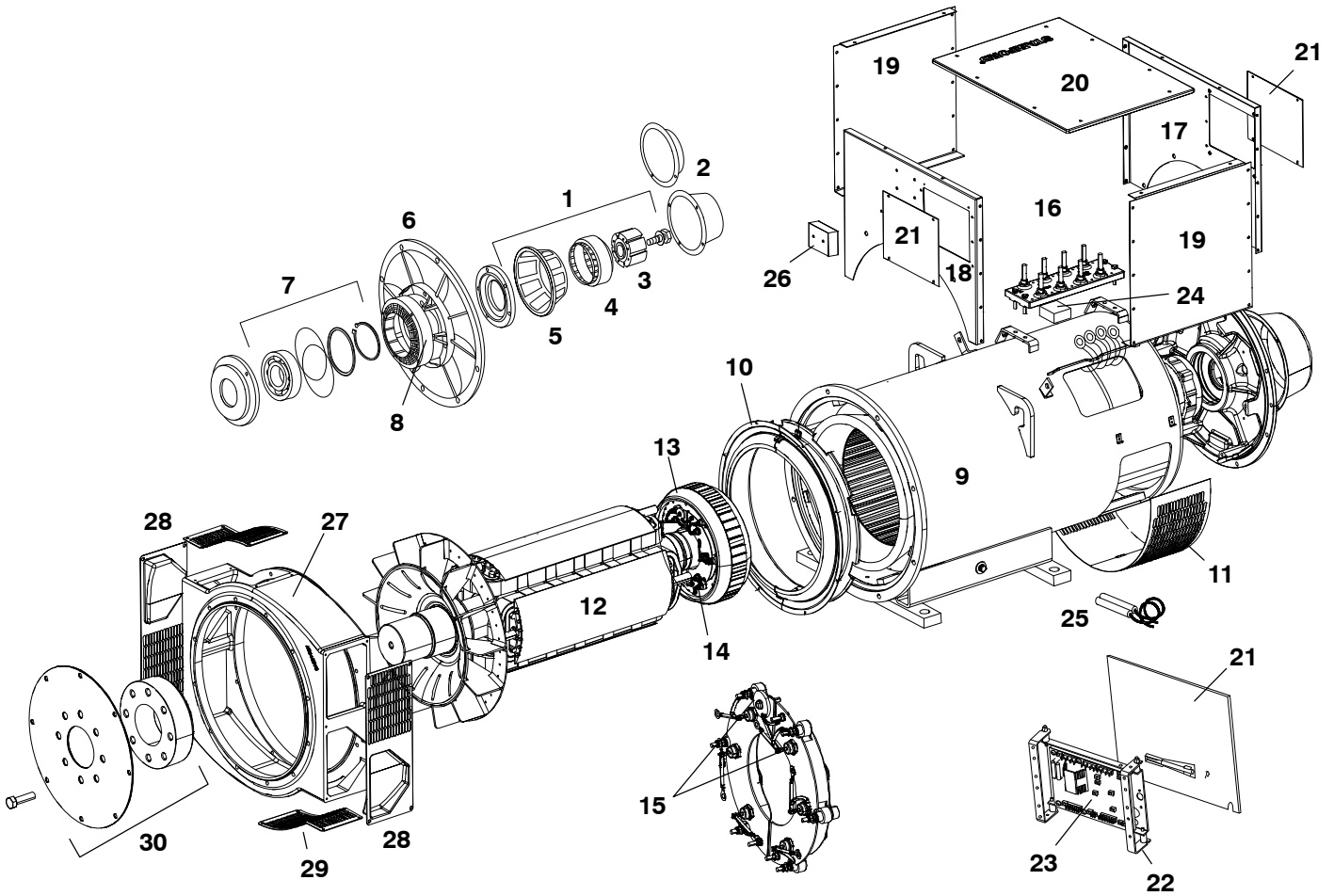
Item	Part No.	Description	Qty
1	45-0318A	Complete P.M.G. Upfit Kit	1
2	410-10704	P.M.G. Cover Only Included in Item 1	1
	410-10705	Non P.M.G. Cover (From 18/08/00)	
3	45-1082	Current P.M.G. Rotor/Stator Repair Kit	1
4	45-1082	Current P.M.G. Rotor/Stator Repair Kit	1
5	See Item 1	P.M.G. Crown (If Fitted)	1
6	410-10703	N.D.E. Bracket From (02/2000)	1
7	45-0320	N.D.E. Bearing Kit From (18/08/00)	1
8	410-1052	Exciter Stator 50mm	1
	A052D639	Exciter Stator 50mm Severe Environmental	1
9	*	Main Stator Frame Assy	1
10	458-20200	N.D.E. Air Inlet Cover (Louvred)	1
	410-10799	N.D.E. Air Inlet Cover (Industrial)	1
	458-20400	N.D.E. Air Inlet Cover (Air Filter)	1
11	*	Main Rotor Assy	1
12	410-1194	Exciter Rotor 50mm From (22/11/99)	1
13	450-16016	Rotating Rectifier Assy	1
14	RSK-5001	Diode FWD/REV & Varistor Kit	1
15	410-10720	Main Terminal Board	1
16	410-10785	Terminal Box Endpanel N.D.E. From (21/07/02)	1
	410-10872	Terminal Box Endpanel N.D.E. From (EU Machine Dir.)	1
	410-10790	Terminal Box Endpanel N.D.E. Reconstructable 410-10790	1
17	410-10784	Terminal Box Endpanel D.E. From (21/07/02)	1
	410-10871	Terminal Box Endpanel D.E. From (EU Machine Dir.)	1
	410-10789	Terminal Box Endpanel N.D.E. Reconstructable	1
18	410-10786	Terminal Box Side Panel From (21/07/98)	2
	410-10803	Terminal Box Side Panel (Air Filter)	2
	410-10859	Terminal Box Side Panel (Air Filter) (EU Machine Dir.)	2
	410-10870	Terminal Box Side Panel (Aperture) (EU Machine Dir.)	1
	410-10819	Terminal Box Side Panel (AVR/PFC RHS)	1
	410-10873	Terminal Box Side Panel (AVR/PFC RHS) (EU Machine Dir.)	1
	410-10788	Terminal Box Side Panel (Glandplate)	2
19	410-10497	Terminal Box Lid From (21/07/98)	1
20	450-15254	A.V.R. Cover Plate From (21/07/02)	1
21	45-0742	A.V.R. Mounting Bracket	1
		Continued...	

S4 – 2 Bearing (Continued)

Item	Part No.	Description	Qty
22	E000-23412/1P	A.V.R. MX341 (Standard Series 3)	1
	A040H491	A.V.R. MX341 UL	1
	E000-24403/1P	A.V.R. AS440 (Standard Series 4)	1
	E000-24408/1P	A.V.R. AS440 UL Approved	1
	E000-23212/1P	A.V.R. MX321	1
	E000-23215	A.V.R. MX321 UL	1
	E000-24210/1P	A.V.R. SX421	1
23	450-15489	Auxiliary Terminal Board	2
24	45-0073	Heater 110-125 Volt	1
	A053M968	Heater 110-125 Volt UL Cert.	1
	A040G624	Heater Kit 110-125V to Incl Term Box for Retro	1
	A053X252	Heater Kit 110-125V to Incl Term Box for Retro UL Cert.	1
	45-0074	Heater 220-260 Volt	1
	A053N002	Heater 220-260 Volt UL Cert.	1
	A040G620	Heater 220-260V to Incl Term Box for Retro	1
	A053X255	Heater 220-260V to Incl Term Box for Retro UL Cert.	1
25	45-0024	Terminal Box for Heaters	1
26	410-10781	D.E. Bracket From (12/09/04)	1
27	458-10260	D.E. Bracket Screen	2
28	45-0653	D.E. Louvre	1
29	410-10708	D.E. Bearing Cartridge From (18/08/00)	1
30	45-0319	D.E. Bearing Kit From (18/08/00)	1
31	458-10706	D.E. Bearing Cap Outer From (18/08/00)	1
32	45-0675	2 Brg Adapter Kit (SAE 0)	1
	45-0677	2 Brg Adapter Kit (SAE 0.5)	1
	45-0676	2 Brg Adapter Kit (SAE 1)	1
	45-0910	2 Brg Adapter Kit (DIN 1)	1
33	Included in Item 32	D.E. Cover Screen (Included in Kits)	2
		* This part number depends on your machine serial number. Contact your regional CGT technical support team.	

This page is Intentionally blank.

S4 – 1 Bearing (Dedicated)



S4 – 1 Bearing (Dedicated)

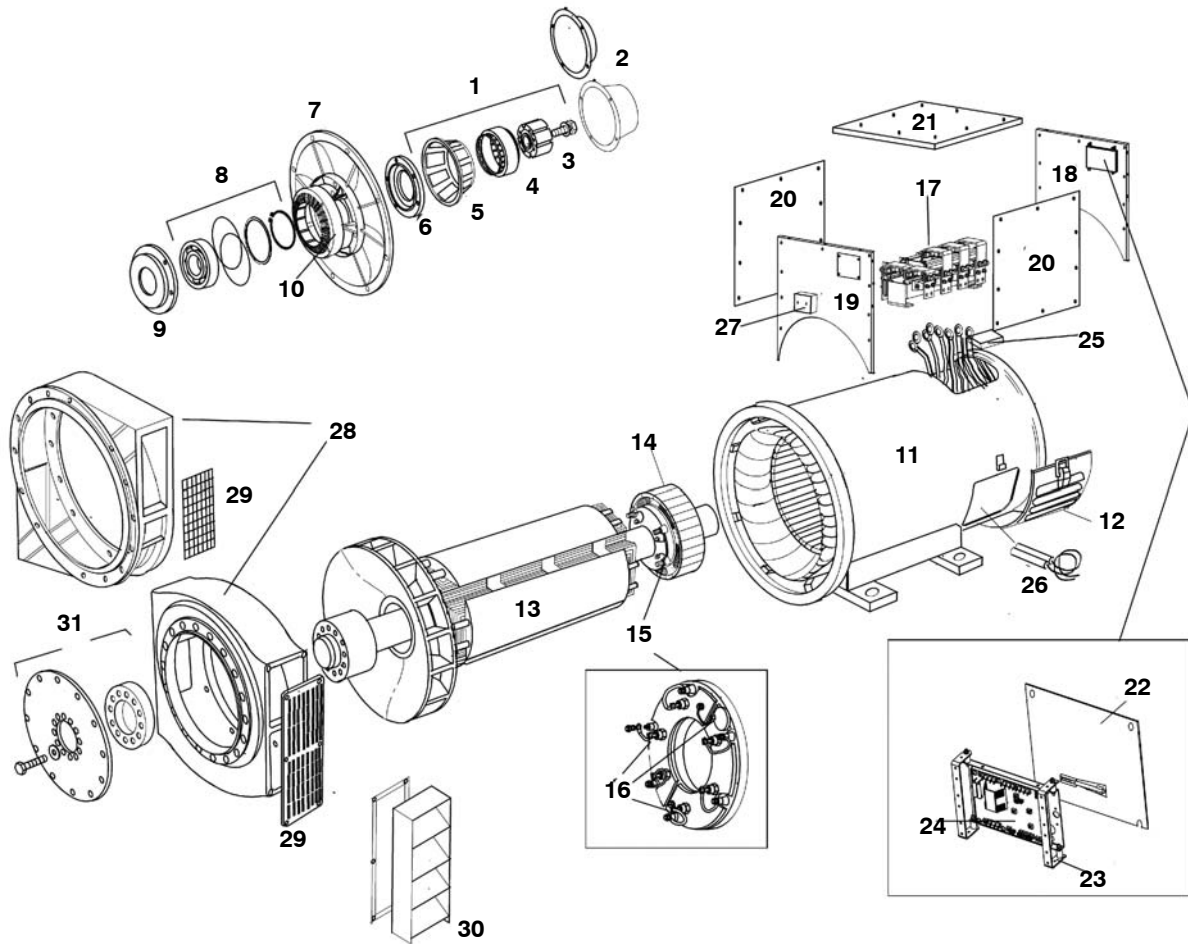
Item	Part No.	Description	Qty
1	45-0318A	Complete P.M.G. Upfit Kit	1
2	410-10704	P.M.G. Cover Only Included in Item 1	1
	410-10705	Non P.M.G. Cover (From 18/08/00)	
3	45-1082	Current P.M.G. Rotor/Stator Repair Kit	1
4	45-1082	Current P.M.G. Rotor/Stator Repair Kit	1
5	See Item 1	P.M.G. Crown (If Fitted)	1
6	410-10703	N.D.E. Bracket From (02/2000)	1
7	45-0320	N.D.E. Bearing Kit From (18/08/00)	1
8	410-1052	Exciter Stator 50mm	1
	A052D639	Exciter Stator 50mm Severe Environmental	1
9	*	Main Stator Frame Assy	1
10	A054S342	Air Flow Baffle	1
11	458-20200	N.D.E. Air Inlet Cover (Louvred)	1
	410-10799	N.D.E. Air Inlet Cover (Industrial)	1
	458-20400	N.D.E. Air Inlet Cover (Air Filter)	1
12	*	Main Rotor Assy	1
13	410-1194	Exciter Rotor 50mm From (22/11/99)	1
14	450-16016	Rotating Rectifier Assy	1
15	RSK-5001	Diode FWD/REV & Varistor Kit	1
16	410-10720	Main Terminal Board	1
17	410-10785	Terminal Box Endpanel N.D.E. From (21/07/02)	1
	410-10872	Terminal Box Endpanel N.D.E. From (EU Machine Dir.)	1
	410-10790	Terminal Box Endpanel N.D.E. Reconstructable 410-10790	1
18	410-10784	Terminal Box Endpanel D.E. From (21/07/02)	1
	410-10871	Terminal Box Endpanel D.E. From (EU Machine Dir.)	1
	410-10789	Terminal Box Endpanel N.D.E. Reconstructable	1
19	410-10786	Terminal Box Side Panel From (21/07/98)	2
	410-10803	Terminal Box Side Panel (Air Filter)	2
	410-10859	Terminal Box Side Panel (Air Filter) (EU Machine Dir.)	2
	410-10870	Terminal Box Side Panel (Aperture) (EU Machine Dir.)	1
	410-10819	Terminal Box Side Panel (AVR/PFC RHS)	1
	410-10873	Terminal Box Side Panel (AVR/PFC RHS) (EU Machine Dir.)	1
	410-10788	Terminal Box Side Panel (Glandplate)	2
20	410-10497	Terminal Box Lid From (21/07/98)	1
21	450-15254	A.V.R. Cover Plate From (21/07/02)	1
22	45-0742	A.V.R. Mounting Bracket	1
		Continued...	

S4 – 1 Bearing (Dedicated) (Continued)

Item	Part No.	Description	Qty
23	E000-23412/1P	A.V.R. MX341 (Standard Series 3)	1
	A040H491	A.V.R. MX341 UL	1
	E000-24403/1P	A.V.R. AS440 (Standard Series 4)	1
	E000-24408/1P	A.V.R. AS440 UL Approved	1
	E000-23212/1P	A.V.R. MX321	1
	E000-23215	A.V.R. MX321 UL	1
	E000-24210/1P	A.V.R. SX421	1
	24	450-15489	Auxiliary Terminal Board
25	45-0073	Heater 110-125 Volt	1
	A053M968	Heater 110-125 Volt UL Cert.	1
	A040G624	Heater Kit 110-125V to Incl Term Box for Retro	1
	A053X252	Heater Kit 110-125V to Incl Term Box for Retro UL Cert.	1
	45-0074	Heater 220-260 Volt	1
	A053N002	Heater 220-260 Volt UL Cert.	1
	A040G620	Heater 220-260V to Incl Term Box for Retro	1
	A053X255	Heater 220-260V to Incl Term Box for Retro UL Cert.	1
26	45-0024	Terminal Box for Heaters	1
27	A056B802	D.E. Adapter Kit (SAE 1)	1
	A056N655	D.E. Adapter Kit (SAE 0.5)	1
28	A055L792	D.E. Screen (Included in Adapter Kits)	2
29	A054U637	D.E. Screen (Included in Adapter Kits)	2
30	45-0776	Coupling Kit SAE 11.5	1
	45-0777	Coupling Kit SAE 14	1
	45-0778	Coupling Kit SAE 18	1
	45-0779	Coupling Kit SAE 17.75	1
		* This part number depends on your machine serial number. Contact your regional CGT technical support team.	

This page is Intentionally blank.

HC534C to F – 1 Bearing Ser 3 & 4



HC534C to F – 1 Bearing Ser 3 & 4

Item	Part No.	Description	Qty
1	45-0059A	Complete P.M.G. upfit kit (to 18/08/00) (Obsolete)	1
	45-0328A	Complete P.M.G. upfit kit	1
2	450-13350	P.M.G. Cover only included in Kit 45-0059A	1
	410-10704	P.M.G. Cover only included in Kit 45-0328A	1
	450-12590	NON PMG Cover (to 18/08/00)	1
	410-10705	NON PMG Cover(from 18/08/00)	1
3	45-1082	Current P.M.G. rotor/stator repair kit	1
4	45-1082	Current P.M.G. rotor/stator repair kit	1
5	See No. 1	P.M.G. Crown (if fitted)	1
6	410-10268	N.D.E. Bearing cap to (30/09/00)	1
	520-10812	N.D.E. Bearing cap (regreaseable brg)	1
7	520-10306	N.D.E. Bracket to (30/09/00)	1
	520-10810	N.D.E. Bracket (regreaseable brg)	1
	520-10780	N.D.E. Bracket from (30/09/00)	1
8	45-0291	N.D.E. Bearing Kit (Sealed) to (30/09/00)	1
	45-0320	N.D.E. Bearing Kit (Sealed) from (30/09/00)	1
	45-1099	N.D.E Regrease bearing kit	1
9	458-12960	N.D.E. Bearing cartridge to (20/09/2000)	1
	520-10811	N.D.E. Bearing cartridge from (20/09/2000)	1
10	410-1052	Exciter stator 50mm	1
	520-10286	Exciter stator 65mm	1
	A052D639	Exciter stator 50mm Severe Environmental	1
	A052D940	Exciter stator 65mm Severe Environmental	1
11	Q.M.S.N.	Main stator frame assy	1
12	462-20100	N.D.E. Air inlet cover (louvred)	1
	520-10933	N.D.E. air inlet cover (industrial)	1
13	Q.M.S.N.	Main rotor assy	1
14	462-23400	Exciter rotor 50mm (No longer available)	1
	520-10305	Exciter rotor 65mm to fit internal bore diameter 98mm (no longer available)	1
	520-1142	Exciter rotor 65mm to fit internal bore diameter 110mm	1
15	450-16016	Rotating rectifier assy	1
16	RSK-5001	Diode fwd/rev & varistor kit	1
17	462-1020	Main terminal board	1

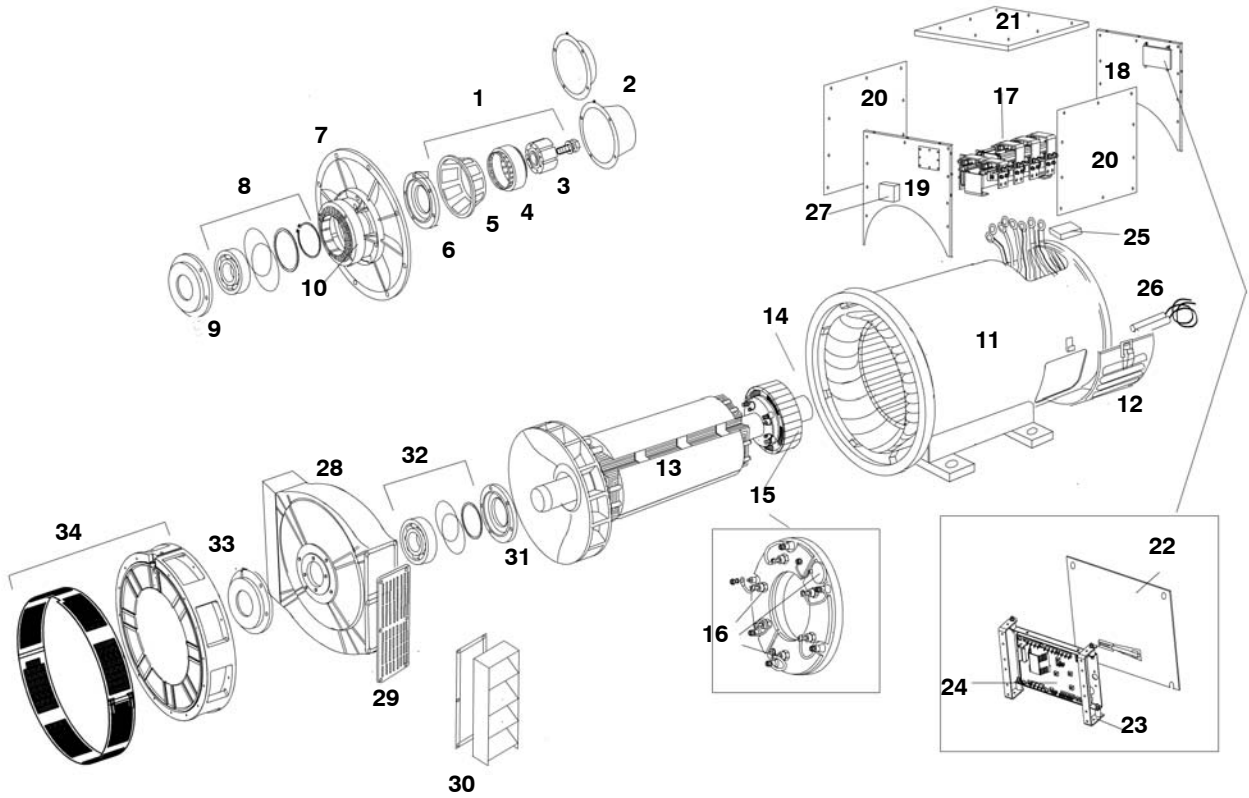
HC534C to F – 1 Bearing Ser 3 &4 (Continued)

Item	Part No.	Description	Qty	
18	520-10153	Terminal box endpanel N.D.E. to (08/1998)	1	
	520-10534	Terminal box endpanel N.D.E. to (19//09/1998)	1	
	520-10907	Terminal box endpanel N.D.E. from (20/09/1998)	1	
	520-11026	Terminal box endpanel N.D.E. (EU Machine Dir.)	1	
	520-10911	Terminal box endpanel N.D.E. (reverse entry)	1	
	520-11028	Terminal box endpanel N.D.E. (reverse entry) (EU Machine Dir.)	1	
	520-10918	Terminal box endpanel N.D.E. (pg gland)	1	
	520-11032	Terminal box endpanel N.D.E. (pg gland) (EU Machine Dir.)	1	
	520-10982	Terminal box endpanel N.D.E. (To fit DM110 AVR)	1	
	520-10920	Terminal box endpanel N.D.E. (Railway App)	1	
	520-11033	Terminal box endpanel N.D.E. (Railway App) (EU Machine Dir.)	1	
	520-10914	Terminal box endpanel N.D.E. (reconnectable)	1	
	520-10917	Terminal box endpanel N.D.E. (High Box)	1	
	520-11030	Terminal box endpanel N.D.E. (High Box) (EU Machine Dir.)	1	
	19	520-10181	Terminal box endpanel D.E.to (08/1998)	1
		520-10906	Terminal box endpanel D.E. from (08/1998)	1
		520-11025	Terminal box endpanel D.E. from (EU Machine Dir.)	1
520-10910		Terminal box endpanel D.E. (reverse entry)	1	
520-11027		Terminal box endpanel D.E. (reverse entry) (EU Machine Dir.)	1	
520-10913		Terminal box endpanel D.E. (reconnectable)	1	
520-10916		Terminal box endpanel D.E. (High Box)	1	
520-11029		Terminal box endpanel D.E. (High Box) (EU Machine Dir.)	1	
20	462-11880	Terminal box side panel to (08/1998)	2	
	520-10908	Terminal box side panel from (08/1998)	2	
	520-10909	Terminal box side panel (Airfilters) from (08/1998)	2	
	520-10921	Terminal box side panel (Railway App)	2	
	520-11031	Terminal box side panel (Railway App) (EU Machine Dir.)	2	
	520-10912	Terminal box side panel (pf control diff)	1	
	520-11015	Terminal box side panel (reconnectable/airfilters) (EU Machine Dir.)	2	
21	462-11840	Terminal box lid to (08/1998)	1	
	520-10536	Terminal box lid from (08/1998)	1	
22	450-14310	A.V.R. Cover plate	1	
	450-16414	A.V.R. Cover (EU Machine Dir.)	1	
	450-16413	A.V.R. Plastic Cover (EU Machine Dir.)	1	
23	45-0742	A.V.R. Mounting bracket	1	
24	E000-23412/1P	A.V.R. MX341 (standard series 3)	1	
	E000-23408	A.V.R. MX341 UL	1	
	E000-24403/1P	A.V.R. AS440 (standard series 4)	1	
	E000-24408/1P	A.V.R. AS440 UL approved	1	
	E000-23212/1P	A.V.R. MX321	1	
	E000-23215	A.V.R. MX321 UL	1	
	E000-24210/1P	A.V.R. SX421	1	

HC534C to F – 1 Bearing Ser 3 &4 (Continued)

25	450-15489	Auxiliary terminal board	2
26	45-0073	Heater 110-125 volt	1
	A053M968	Heater 110-125 volt UL Cert	1
	A040G624	Heater Kit 110-125v to incl term box for retro	1
	A053X252	Heater Kit 110-125v to incl term box for retro UL Cert	1
	45-0074	Heater 220-260 volt	1
	A053N002	Heater 220-260 volt UL Cert	1
	A040G620	Heater Kit 220-260v to incl term box for retro	1
	A053X255	Heater Kit 220-260v to incl term box for retro UL Cert	1
27	45-0024	Terminal box for heaters	1
28	45-0667	D.E. Adaptor Kit SAE 0	1
	A051Y674	D.E. Adaptor Kit (SAE 0 round/heavy duty)	1
	45-0666	D.E. Adaptor Kit SAE 00	1
	45-0668	D.E. Adaptor Kit SAE 0.5	1
	45-0669	D.E. Adaptor Kit SAE 1	1
	45-0917	D.E. Adaptor Kit (SAE 1 round/heavy duty)	1
	45-0802	D.E. Adaptor Kit (SAE 1 round)	1
29	See No. 28	D.E. Screen (Included in Adaptor Kits)	2
30	45-0655	D.E. Louvre SAE 0 & 0.5 & 1	1
	45-0654	D.E. Louvre SAE -00	1
31	45-0780	Coupling Kit SAE 14	1
	45-0781	Coupling Kit SAE 18	1
	45-0783	Coupling Kit SAE 17.75	1
	45-0782	Coupling Kit SAE 21	1

HC534C to F – 2 Bearing Ser 3 & 4



HC534C to F – 2 Bearing Ser 3 & 4

Item	Part No.	Description	Qty
1	45-0060A	Complete P.M.G. upfit kit (to 18/08/00) obsolete	1
	45-0328A	Complete P.M.G. upfit kit	1
2	450-13350	P.M.G. Cover only included in Kit 45-0059A	1
	410-10704	P.M.G. Cover only included in Kit 45-0328A	1
	450-12590	NON PMG Cover (to 18/08/00)	1
	410-10705	NON PMG Cover (from 18/08/00)	1
3	45-1082	Current P.M.G. rotor/stator repair kit	1
4	45-1082	Current P.M.G rotor/stator repair kit	1
5	See No. 1	P.M.G. Crown (if fitted)	1
6	410-10267	N.D.E. Bearing cap to (30/09/00)	1
	520-10812	N.D.E. Bearing cap (regreaseable brg)	1
7	520-10306	N.D.E. Bracket to (30/09/00)	1
	520-10780	N.D.E. Bracket from (30/09/00)	1
	520-10810	N.D.E. bracket (regreaseable brg)	1
8	45-0291	N.D.E. Bearing kit (Sealed) to (30/09/00)	1
	45-0320	N.D.E. Bearing kit (Sealed) from (30/09/00)	1
	45-1099	N.D.E. Bearing kit (regrease)	1
9	458-10110	N.D.E. Bearing cartridge to (20/09/2000)	1
	520-10811	N.D.E. Bearing cartridge from (20/09/2000)	1
10	410-1052	Exciter stator 50mm	1
	520-10286	Exciter stator 65mm	1
	A052D639	Exciter stator 50mm Severe Environmental	1
	A052D940	Exciter stator 65mm Severe Environmental	1
11	Q.M.S.N.	Main stator frame assy	1
12	462-20100	N.D.E. air inlet cover (louvred)	1
	520-10933	N.D.E air inlet cover (industrial)	1
13	Q.M.S.N.	Main rotor assy	1
14	462-23400	Exciter rotor 50mm (No longer available)	1
	520-10305	Exciter rotor 65mm to fit internal bore diameter 98mm (no longer available)	1
	520-1142	Exciter rotor 65mm to fit internal bore diameter 110mm	1
15	450-16016	Rotating rectifier assy	1
16	RSK-5001	Diode fwd/rev & varistor kit	1
17	462-1020	Main terminal board	1

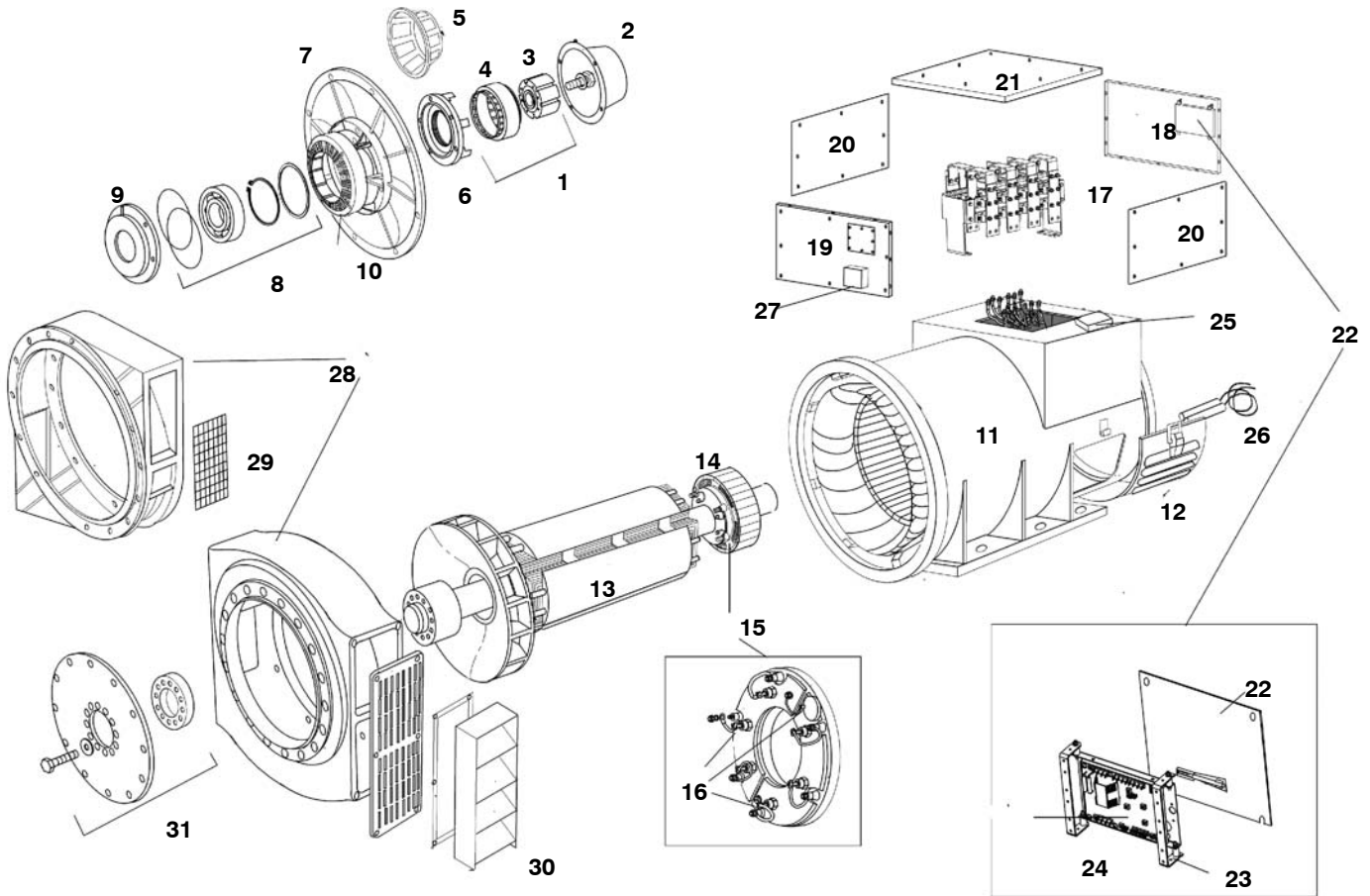
HC534C to F – 2 Bearing Ser 3 & 4 (Continued)

Item	Part No.	Description	Qty	
18	520-10153	Terminal box endpanel N.D.E. to (08/1998)	1	
	520-10534	Terminal box endpanel N.D.E. to (19//09/1998)	1	
	520-10907	Terminal box endpanel N.D.E. from (20/09/1998)	1	
	520-11026	Terminal box endpanel N.D.E. (EU Machine Dir.)	1	
	520-10911	Terminal box endpanel N.D.E (reverse entry)	1	
	520-11028	Terminal box endpanel N.D.E (reverse entry) (EU Machine Dir.)	1	
	520-10918	Terminal box endpanel N.D.E. (pg gland)	1	
	520-11032	Terminal box endpanel N.D.E. (pg gland) (EU Machine Dir.)	1	
	520-10982	Terminal box endpanel N.D.E. (To fit DM110 AVR)	1	
	520-10920	Terminal box endpanel N.D.E. (Railway App)	1	
	520-11033	Terminal box endpanel N.D.E. (Railway App) (EU Machine Dir.)	1	
	520-10914	Terminal box endpanel N.D.E. (reconnectable)	1	
	520-10917	Terminal box endpanel N.D.E. (High Box)	1	
	520-11030	Terminal box endpanel N.D.E. (High Box) (EU Machine Dir.)	1	
	19	520-10181	Terminal box endpanel D.E.to (08/1998)	1
		520-10906	Terminal box endpanel D.E. from (08/1998)	1
		520-11025	Terminal box endpanel D.E. from (EU Machine Dir.)	1
520-10910		Terminal box endpanel D.E. (reverse entry)	1	
520-11027		Terminal box endpanel D.E. (reverse entry) (EU Machine Dir.)	1	
520-10913		Terminal box endpanel D.E. (reconnectable)	1	
520-10916		Terminal box endpanel D.E. (High Box)	1	
520-11029		Terminal box endpanel D.E. (High Box) (EU Machine Dir.)	1	
20	462-11880	Terminal box side panel to (08/1998)	2	
	520-10908	Terminal box side panel from (08/1998)	2	
	520-10909	Terminal box side panel (Airfilters) from (08/1998)	2	
	520-10921	Terminal box side panel (Railway App)	2	
	520-11031	Terminal box side panel (Railway App) (EU Machine Dir.)	2	
	520-10912	Terminal box side panel (pf control diff)	1	
	520-11015	Terminal box side panel (reconnectable/airfilters) (EU Machine Dir.)	2	
21	462-11840	Terminal box lid to (08/1998)	1	
	520-10536	Terminal box lid from (08/1998)	1	
22	450-14310	A.V.R Cover plate	1	
	450-16414	A.V.R Cover (EU Machine Dir.)	1	
	450-16413	A.V.R Plastic Cover (EU Machine Dir.)	1	
23	45-0742	A.V.R Mounting bracket	1	
24	E000-23412/1P	A.V.R MX341 (standard series 3)	1	
	E000-23408	A.V.R MX341 UL	1	
	E000-24403/1P	A.V.R AS440 (standard series 4)	1	
	E000-24408/1P	A.V.R. AS440 UL approved	1	
	E000-23212/1P	A.V.R MX321	1	
	E000-23215	A.V.R MX321 UL	1	
	E000-24210/1P	A.V.R SX421	1	

HC534C to F – 2 Bearing Ser 3 & 4 (Continued)

Item	Part No.	Description	Qty
25	450-15489	Auxiliary terminal board	2
26	45-0073	Heater 110-125 volt	1
	A053M968	Heater 110-125 volt UL Cert	1
	A040G624	Heater kit 110-125v to incl term box for retro	1
	A053X252	Heater kit 110-125v to incl term box for retro UL Cert	1
	45-0074	Heater 220-260 volt	1
	A053N002	Heater 220-260 volt UL Cert	1
	A040G620	Heater kit 220-260v to incl term box for retro	1
	A053X255	Heater kit 220-260v to incl term box for retro UL Cert	1
27	45-0024	Terminal box for heaters	1
28	462-11170	D.E. Bracket to (29/09/2000)	1
	520-10557	D.E. Bracket from (29/09/2000)	1
29	462-10260	D.E. Bracket screen	2
30	45-0656	D.E. Louvre Kit	2
31	462-10130	D.E. Bearing cartridge to (30/09/2000)	1
	520-10776	D.E. Bearing cartridge from (30/09/2000)	1
	520-10816	D.E. Bearing cartridge (regrease)	1
32	45-0292	D.E. Bearing kit (Sealed) to (30/09/2000)	1
	45-0321	D.E. Bearing kit (Sealed) from (30/09/2000)	1
	45-1100	D.E. Bearing kit (regrease)	1
33	520-10333	D.E. Bearing cap outer to (30/09/2000)	1
	520-10778	D.E. Bearing cap outer from (30/09/2000)	1
	520-10818	D.E. Bearing cap (regrease)	1
34	45-0679	2 Brg Adaptor kit SAE 0	1
	45-0932	2 Brg Adaptor kit SAE 0 DIN	1
	45-0680	2 Brg Adaptor kit SAE 0.5	1
	45-0681	2 Brg Adaptor kit SAE 1	1
	45-0808	2 Brg Adaptor kit SAE 1 DIN	1
	45-0678	2 Brg Adaptor kit SAE 00	1
35	Included in 34	D.E. Cover Screen (Included in Kits)	1
		NOTE:- Regrease option is not retrofittable	

HC634G to K – 1 Bearing (Ser 3)



HC634G to K – 1 Bearing (Ser 3)

Item	Part No.	Description	Qty
1	45-0060A	Complete P. M.G. upfit kit to (10/05/01) (Obsolete)	1
	45-0341A	Complete P. M.G. upfit kit from (10/05/01)	1
2	760-10562	P. M.G. Cover (Cover included in above kit)	1
3	45-1082	Current P.M.G. Rotor/stator repair kit	1
4	45-1082	Current P.M.G. Rotor/stator repair kit	1
5	See No.1	P. M.G. Crown (if fitted)	1
6	660-10071	N.D.E. Bearing cap to (10/05/01)	1
	660-10864	N.D.E. Bearing cap from (10/05/01)	1
7	660-10064	N.D.E. Bracket to (10/05/01)	1
	660-10860	N.D.E. Bracket from (10/05/01)	1
8	45-0297	N.D.E. Bearing kit (Sealed) to (10/05/01)	1
	45-0340	N.D.E. Bearing kit (Sealed) from (10/05/01)	1
	45-0343	N.D.E. Bearing kit (REGREASE)	1
9	462-12920	N.D.E. Bearing cartridge to (10/05/01)	1
	660-10862	N.D.E. Bearing cartridge from (10/05/01)	1
10	366-40800	Exciter stator 75mm	1
	A052D957	Exciter stator 75mm Severe Environmental	1
11	QMSN	Main stator frame assy	1
12	660-11565	N.D.E. Air inlet cover (industrial)	1
	464-31600	N.D.E air inlet cover (marine)	1
	464-32100	N.D.E air inlet cover (airfilters)	1
13	QMSN	Main rotor assy	1
14	660-1010	Exciter rotor 75mm	1
15	450-16025	Rotating rectifier assy	1
16	RSK-6001	Diode fwd/rev & varistor kit	1
17	QMSN	Main terminal board	1
18	660-10653	Terminal box endpanel N.D.E	1
	660-11682	Terminal box endpanel N.D.E (EU Machine Dir.)	1
	660-10655	Terminal box endpanel N.D.E (PG Gland & diff protection)	1
	660-11684	Terminal box endpanel N.D.E (PG Gland & diff protection) (EU Machine Dir.)	1
	660-10925	Terminal box endpanel N.D.E (HI-reconnectable)	1
	660-11689	Terminal box endpanel N.D.E (HI-reconnectable) (EU Machine Dir.)	1
	660-11220	Terminal box endpanel N.D.E (HI-Airfilters)	1
	660-11691	Terminal box endpanel N.D.E (HI-Airfilters) (EU Machine Dir.)	1
	660-11604	Terminal box endpanel N.D.E (Standard digital A.V.R)	1

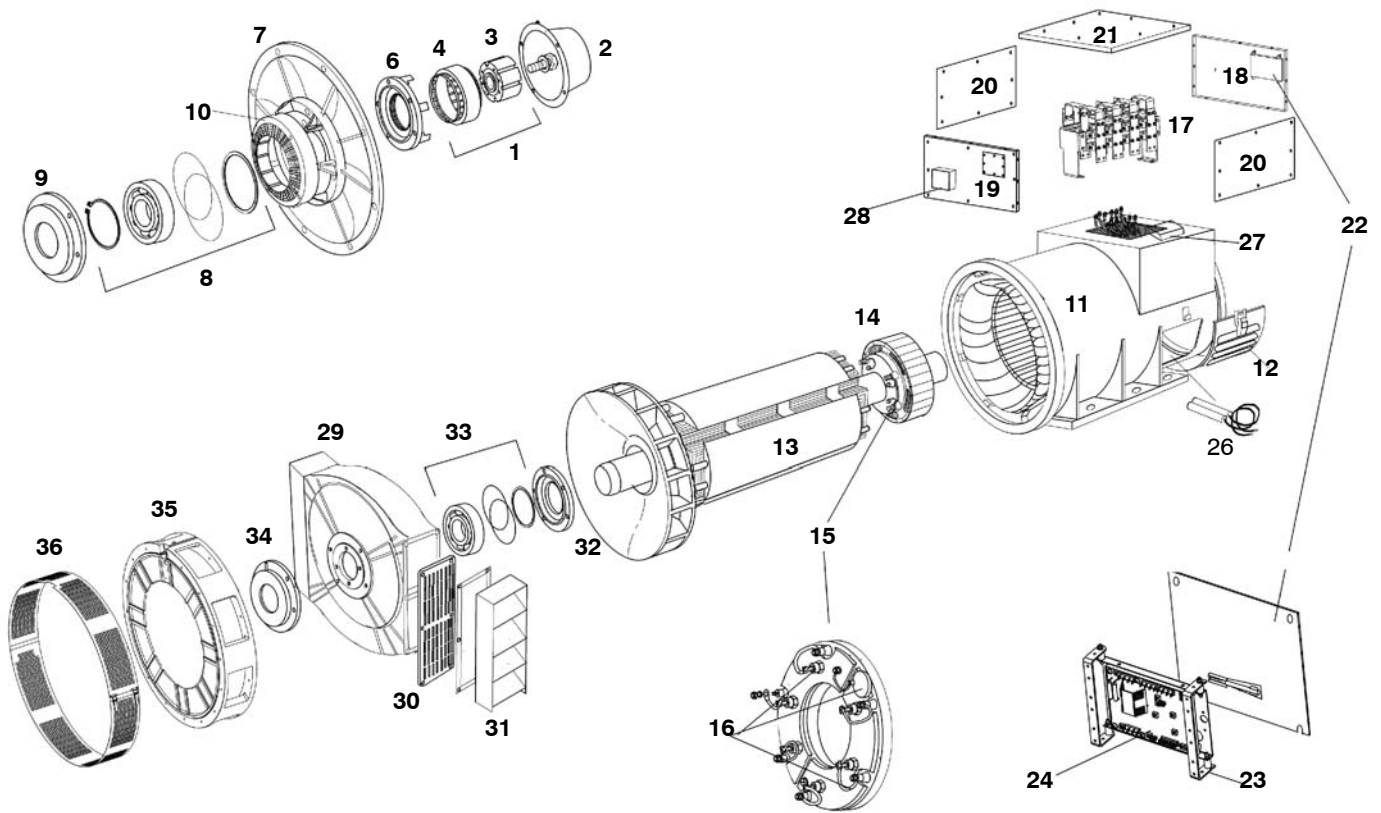
HC634G to K – 1 Bearing (Ser 3) (Continued)

Item	Part No.	Description	Qty
19	660-10652	Terminal box endpanel D.E	1
	660-11681	Terminal box endpanel D.E (EU Machine Dir.)	1
	660-10654	Terminal box endpanel D.E.(Diff/Protection)	1
	660-11683	Terminal box endpanel D.E.(Diff/Protection) (EU Machine Dir.)	1
	660-10784	Terminal box endpanel D.E. (PG Gland or standard digital A.V.R)	1
	660-11687	Terminal box endpanel D.E. (PG Gland or standard digital A.V.R) (EU Machine Dir.)	1
	660-10783	Terminal box endpanel D.E. (PG Gland diff protection)	1
	660-11686	Terminal box endpanel D.E. (PG Gland diff protection) (EU Machine Dir.)	1
	660-10924	Terminal box endpanel D.E. (HI-Reconnectable)	1
	660-11688	Terminal box endpanel D.E. (HI-Reconnectable) (EU Machine Dir.)	1
	660-11219	Terminal box endpanel D.E (HI-Airfilters)	1
	660-11690	Terminal box endpanel D.E (HI-Airfilters) (EU Machine Dir.)	1
20	660-10650	Terminal box side panel	2
	660-11242	Terminal box side panel (Airfilter)	2
	660-10923	Terminal box side panel (Hi-Reconnectable & A/F)	2
21	660-10651	Terminal box lid	1
22	450-15254	A.V.R. Cover plate (access)	1
	450-16417	A.V.R. Cover plate (access) (EU Machine Dir.)	1
	450-16413	A.V.R. Plastic Cover (EU Machine Dir.)	1
	450-14310	A.V.R cover plate (blanking)	1
23	45-0742	A.V.R. Mounting bracket	1
24	E000-23412/1P	A.V.R. MX341 (standard series 3)	1
	E000-23408	A.V.R. MX341 UL	1
	E000-23212/1P	A.V.R. MX321	1
	E000-23215	A.V.R. MX321 UL	1
	E000-23800	A.V.R. DM110	1
25	003-14055	Auxiliary terminal board	2
26	45-0373	Heater Kit 110-125 volt	1
	A053M968	Heater Kit 110-125 volt UL Cert	1
	A040G624	Heater Kit 110-125v to incl term box for retro	1
	A053X252	Heater Kit 110-125v to incl term box for retro UL Cert	1
	45-0374	Heater 220-260 volt	1
	A053N002	Heater 220-260 volt UL Cert	1
	A040G620	Heater Kit 220-260v to incl term box for retro	1
	A053X255	Heater Kit 220-260v to incl term box for retro UL Cert	1
27	45-0024	Terminal box for heaters	1

HC634G to K – 1 Bearing (Ser 3) (Continued)

28	45-0943	D.E. Adaptor Kit SAE 0	1
	45-0944	D.E. Adaptor Kit SAE 0.5	1
	45-0937	D.E. Adaptor Kit SAE 1	1
	45-0945	D.E. Adaptor Kt SAE 0 round	1
	45-0942	D.E. Adaptor Kit SAE 00	1
29	See No. 30	D.E. SCREEN (Included in Adaptor Kits)	2
30	45-0658	D.E. Louvre SAE 0 & 0.5 & 1	1
	45-0657	D.E. Louvre SAE-00	1
31	45-0788	Coupling Kit SAE 14	1
	45-0789	Coupling Kit SAE 18	1
	45-0791	Coupling Kit SAE 17.75	1
	45-0790	Coupling Kit SAE 21	1

HC634G to K - 2 Bearing (Ser 3)



HC634G to K – 2 Bearing (Ser 3)

Item	Part No.	Description	Qty
1	45-0060A	Complete P.M.G. upfit kit to (10/05/01)	1
	45-0341A	Complete P.M.G. upfit kit from (10/05/01)	1
2	760-10562	P.M.G. Cover (Cover included in above kit)	1
3	45-1082	Current P.M.G. Rotor/stator repair kit	1
4	45-1082	Current P.M.G. Rotor/stator repair kit	1
5	See No.1	P.M.G. Crown (if fitted)	1
6	660-10071	N.D.E. Bearing cap to (10/05/01)	1
	660-10864	N.D.E. Bearing cap from (10/05/01)	1
7	660-10064	N.D.E. Bracket to (10/05/01)	1
	660-10860	N.D.E. Bracket from (10/05/01)	1
8	45-0295	N.D.E. Bearing Kit (Sealed) to (10/05/01)	1
	45-0340	N.D.E. Bearing Kit (Sealed) from (10/05/98)	1
	45-0343	N.D.E. Bearing Kit (REGREASE)	1
9	462-12920	N.D.E. Bearing cartridge to (10/05/01)	1
	660-10862	N.D.E. Bearing cartridge from (10/05/01)	1
10	366-40800	Exciter stator 75mm	1
	A052D957	Exciter stator 75mm Severe Environmental	1
11	QMSN	Main stator frame assy	1
12	660-11565	N.D.E. Air inlet cover (industrial)	1
	464-31600	N.D.E Air inlet cover (marine)	1
	464-32100	N.D.E. Air inlet cover (Airfilters)	1
13	QMSN	Main rotor assy	1
14	660-1010	Exciter rotor 75mm	1
15	450-16025	Rotating rectifier assy	1
16	RSK-6001	Diode fwd/rev & varistor kit	1
17	QMSN	Main terminal board	1
18	660-10653	Terminal box endpanel N.D.E.	1
	660-11682	Terminal box endpanel N.D.E. (EU Machine Dir.)	1
	660-10655	Terminal box endpanel N.D.E. (PG Gland & diff protection)	1
	660-11684	Terminal box endpanel N.D.E. (PG Gland & diff protection) (EU Machine Dir.)	1
	660-10925	Terminal box endpanel N.D.E. (HI-Reconnectable)	1
	660-11689	Terminal box endpanel N.D.E. (HI-Reconnectable) (EU Machine Dir.)	1
	660-11220	Terminal box endpanel N.D.E. HI-Airfilters)	1
	660-11691	Terminal box endpanel N.D.E. HI-Airfilters) (EU Machine Dir.)	1
	660-11604	Terminal box endpanel N.D.E. (Standard digital A.V.R)	1

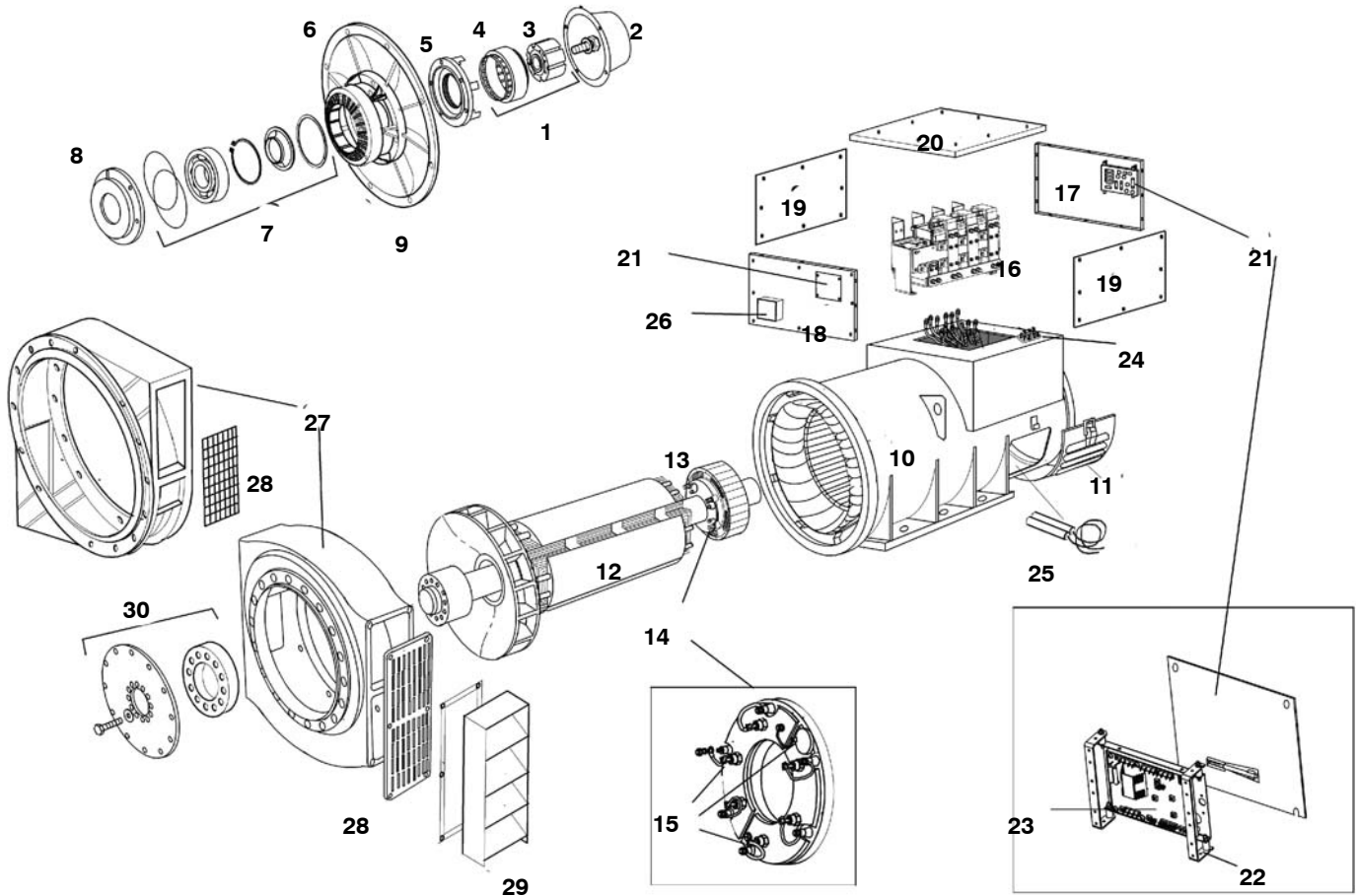
HC634G to K – 2 Bearing (Ser 3) (Continued)

Item	Part No.	Description	Qty
19	660-10652	Terminal box endpanel D.E.	1
	660-11681	Terminal box endpanel D.E. (EU Machine Dir.)	1
	660-10654	Terminal box endpanel D.E. (diff/protection)	1
	660-11683	Terminal box endpanel D.E. (diff/protection) (EU Machine Dir.)	1
	660-10784	Terminal box endpanel D.E. (PG Gland or standard digital A.V.R)	1
	660-11687	Terminal box endpanel D.E. (PG Gland or standard digital A.V.R) (EU Machine Dir.)	1
	660-10783	Terminal box endpanel D.E. (PG Gland diff protection)	1
	660-11686	Terminal box endpanel D.E. (PG Gland diff protection) (EU Machine Dir.)	1
	660-10924	Terminal box endpanel D.E. (HI-Reconnectable)	1
	660-11686	Terminal box endpanel D.E. (HI-Reconnectable) (EU Machine Dir.)	1
	660-11219	Terminal box endpanel D.E. (HI-Airfilters)	1
	660-11690	Terminal box endpanel D.E. (HI-Airfilters) (EU Machine Dir.)	1
20	660-10650	Terminal box side panel	2
	660-11242	Terminal box side panel (Airfilter)	2
	660-10923	Terminal box side panel (HI-Reconnectable & A/F)	2
21	660-10651	Terminal box lid	1
22	450-15254	A.V.R. Cover plate (access)	1
	450-16417	A.V.R. Cover plate (access) (EU Machine Dir.)	1
	450-16413	A.V.R. Plastic Cover (EU Machine Dir.)	1
	450-14310	A.V.R Cover plate (blanking)	1
23	45-0742	A.V.R. Mounting bracket	1
24	E000-23412/1P	A.V.R. MX341 (standard series 3)	1
	E000-23408	A.V.R. MX341 UL	1
	E000-23212/1P	A.V.R. MX321	1
	E000-23215	A.V.R. MX321 UL	1
	E000-23800	A.V.R. DM110	1
25	003-14055	Auxiliary terminal board	2
26	003-14055	Auxiliary terminal board	2
27	45-0073	Heater Kit 110-125 volt	1
	A053M968	Heater Kit 110-125 volt UL Cert	1
	A040G624	Heater Kit 110-125v to incl term box for retro	1
	A053X252	Heater Kit 110-125v to incl term box for retro UL Cert	1
	45-0374	Heater 220-260 volt	1
	A053N002	Heater 220-260 volt UL Cert	1
	A040G620	Heater Kit 220-260v to incl term box for retro	1
	A053X255	Heater Kit 220-260v to incl term box for retro UL Cert	1
28	45-0024	Terminal Box for Heaters	1
29	464-15630	D.E. Bracket to (25/04/98)	1
	660-10868	D.E. Bracket from (25/04/98)	1

HC634G to K – 2 Bearing (Ser 3) (Continued)

30	464-15650	D.E. Bracket screen	2
31	45-0659	D.E. Louvre	2
32	464-15090	D.E.Bearing cartridge to (25/04/98)	1
	660-10870	D.E.Bearing cartridge from (25/04/98)	1
33	45-0294	D.E. Bearing Kit (Sealed) to (25/04/98)	1
	45-0339	D.E. Bearing Kt (Sealed) from (25/04/98)	1
	45-0342	D.E. Bearing Kt (REGREASE)	1
34	660-10074	D.E. Bearing cap outer to (25/04/98)	1
	660-10872	D.E. Bearing cap outer from (25/04/98)	1
35	45-0683	2 Brg Adaptor Kit (SAE 0)	1
	45-0682	2 Brg Adaptor Kit (SAE 00)	1
36	Included in 34	D.E. Cover Screen (Included in Kits)	1

HC734E to H 1 Bearing (Ser 3)



HC734E to H 1 Bearing (Ser 3)

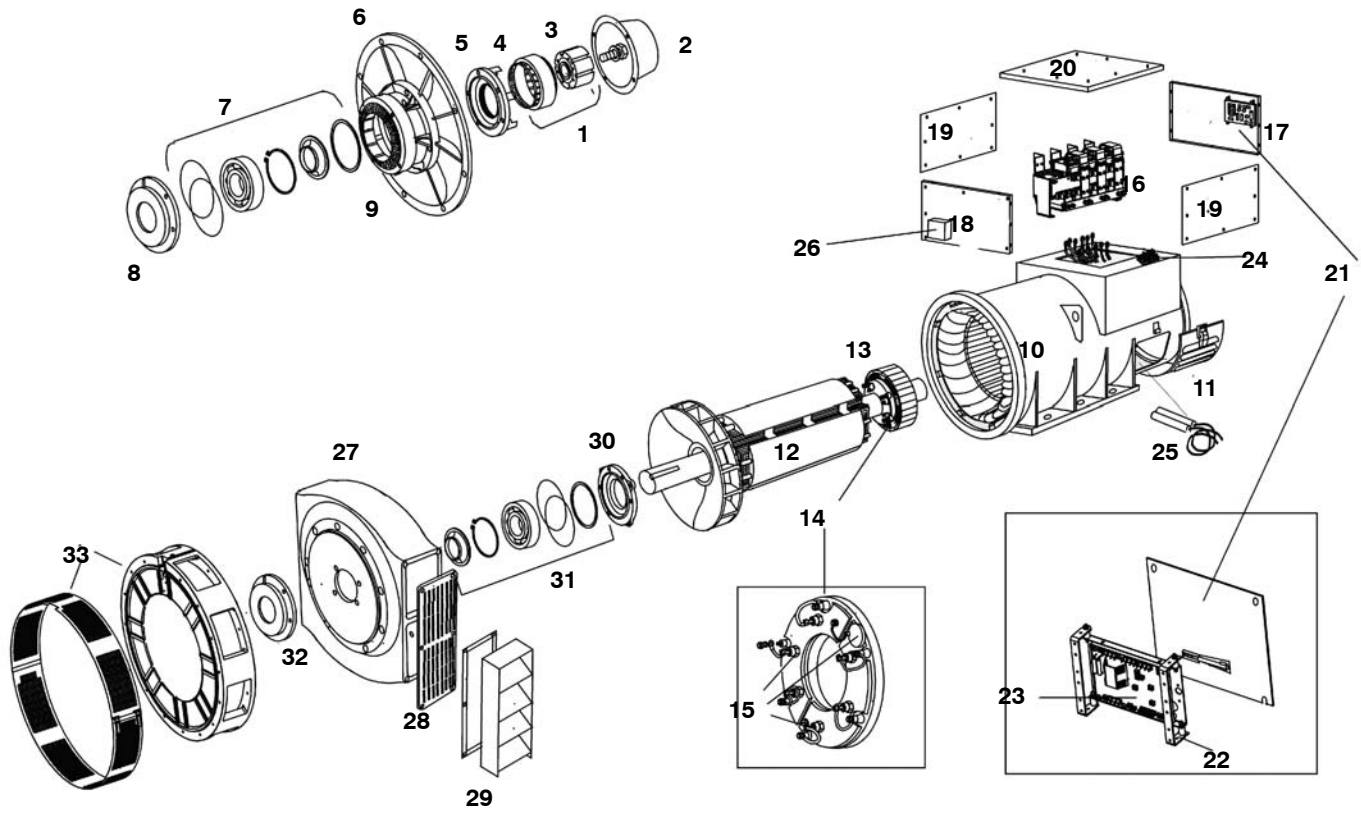
Item	Part No.	Description	Qty
1	45-0119A	Complete P.M.G. upfit kit (Current and Pre Nov 98)	1
	45-0397A	Complete P.M.G upfit kiT from (11/98) to 01/01)	1
2	760-10562	P.M.G. Cover (Cover included in above kit)	1
3	45-1082	Current P.M.G. rotor/stator repair kit	1
4	45-1082	Current P.M.G. rotor/stator repair kit	1
5	730-10235	N.D.E. Bearing cap to (11/98)	1
	760-10550	N.D.E. Bearing cap from (11/98 to 11/2000)	1
	760-10823	N.D.E. Bearing cap from (11/2000)	1
6	760-10122	N.D.E. Bracket G –H (to 3/07/99)	1
	760-10121	N.D.E. Bracket E – F (G & H from 4/07/99)	1
7	45-0301	N.D.E. Bearing Kit (REGREASE) to (11/2000)	1
	45-0336	N.D.E. Bearing Kit (REGREASE) from (11/2000)	1
8	730-10233	N.D.E. Bearing cartridge to (11/98)	1
	760-10568	N.D.E. Bearing cartridge from (11/98 to 11/2000)	1
	760-10821	N.D.E. Bearing cartridge from (11/2000)	1
9	366-40800	Exciter stator 75mm	1
	A052D957	Exciter stator 75mm Severe Environmental	1
10	QMSN	Main stator frame assy	1
11	366-21200	N.D.E. Air inlet cover	1
12	QMSN	Main rotor assy	1
13	760-1009	Exciter rotor 75mm	1
14	450-16025	Rotating rectifier assy	1
15	RSK-6001	Diode fwd/rev & varistor kit	1
16	QMSN	Main terminal board	1
17	760-10665	Terminal box endpanel N.D.E	1
18	760-10664	Terminal box endpanel D.E.	1
19	760-10662	Terminal box side panel	2
20	760-10663	Terminal box lid	1
21	450-15254	A.V.R. Cover plate (access)	1
	450-14310	A.V.R Cover plate (blanking)	1
22	45-0742	A.V.R. Mounting bracket	1
23	E000-23212/1P	A.V.R. MX321	1
	E000-23215	A.V.R. MX321 UL	1
24	003-14046	Auxiliary terminal board	2
25	45-0324	Heater Kit 110-125 volt	1
	A053M969	Heater Kit 110-125 volt UL Cert	1
	A051Y955	Heater Kit 110-125v to incl term box for retro	1
	A053X258	Heater Kit 110-125v to incl term box for retro UL Cert	1
	45-0325	Heater Kit 220-260 volt	1
	A053N003	Heater Kit 220-260 volt UL Cert	1
	A040G626	Heater Kit 220-260v to incl term box for retro	1
A053X260	Heater Kit 220-260v to incl term box for retro UL Cert	1	

HC734E to H 1 Bearing (Ser 3) (Continued)

Item	Part No.	Description	Qty
26	45-0024	Terminal box for heaters	1
27	45-0674	D.E. Adaptor Kit SAE 0	1
	45-1012	D.E. Adaptor Kit SAE 00	1
28	760-10178	D.E. Screen (Included in Adaptor Kits)	1
29	45-0661	D.E. Louvre SAE 0	2
	45-0660	D.E. Louvre SAE-00	1
30	45-0792	Coupling Kit SAE 18	1
	45-0793	Coupling Kit SAE 21	1
	45-0794	Coupling Kit SAE 24	1

This page is Intentionally blank.

HC734E to H 2 Bearing (Ser 3)



HC734E to H 2 Bearing (Ser 3)

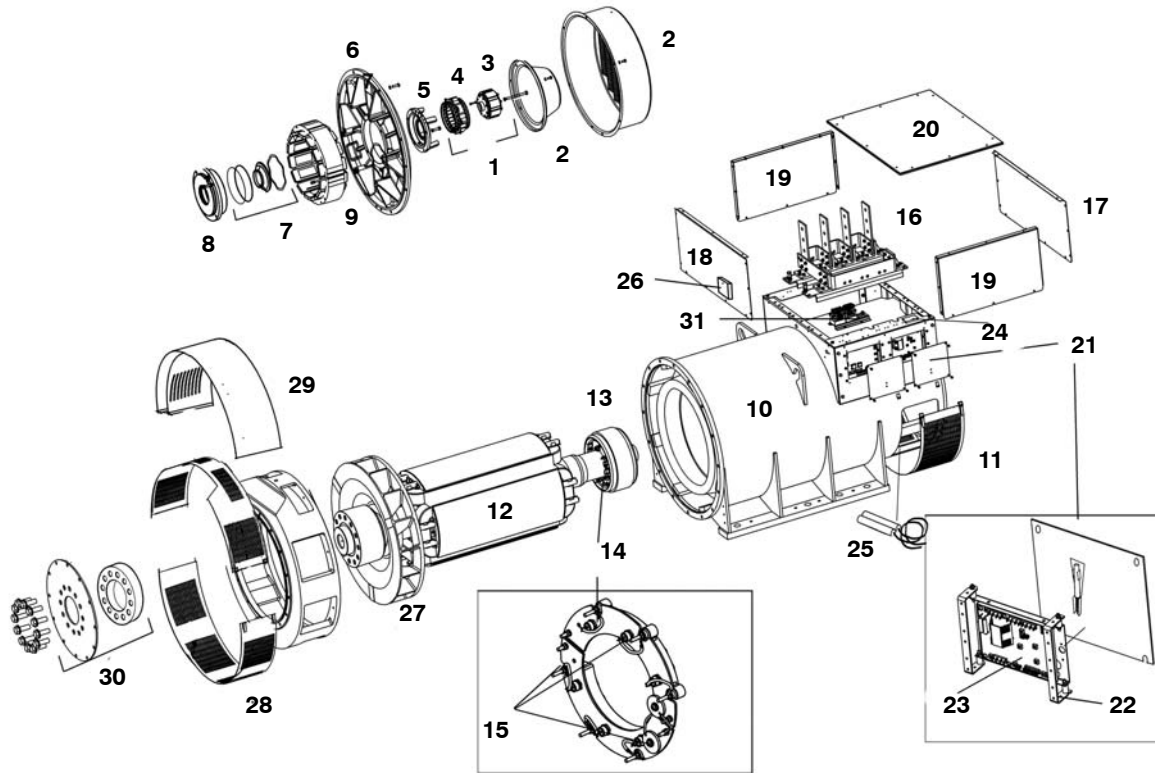
Item	Part No.	Description	Qty
1	45-0119A	Complete P.M.G. upfit kit (Current and Pre Nov 98)	1
	45-0397A	Complete P.M.G upfit kiT from (11/98) to 01/01) Obsolete	1
2	760-10562	P.M.G. Cover (Cover included in above kit)	1
3	45-1082	Current P.M.G. rotor/stator repair kit	1
4	45-1082	Current P.M.G. rotor/stator repair kit	1
5	730-10235	N.D.E. Bearing cap to (11/98)	1
	760-10550	N.D.E. Bearing cap from (11/98 to 11/2000)	1
	760-10823	N.D.E. Bearing cap from (11/2000)	1
6	760-10122	N.D.E. Bracket G –H (to 3/07/99)	1
	760-10121	N.D.E. Bracket E – F (G & H from 4/07/99)	1
7	45-0300	N.D.E. Bearing Kit (REGREASE) to (11/2000)	1
	45-0336	N.D.E. Bearing Kit (REGREASE) from (11/2000)	1
8	730-10233	N.D.E. Bearing cartridge to (11/98)	1
	760-10551	N.D.E. Bearing cartridge from (11/98 to 11/2000)	1
	760-10821	N.D.E. Bearing cartridge from (11/2000)	1
9	366-40800	Exciter stator 75mm	1
	A052D957	Exciter stator 75mm Severe Environmental	1
10	QMSN	Main stator frame assy	1
11	366-21200	N.D.E. Air inlet cover	1
12	QMSN	Main rotor assy	1
13	760-1009	Exciter rotor 75mm	1
14	450-16025	Rotating rectifier assy	1
15	RSK-6001	Diode fwd/rev & varistor kit	1
16	QMSN	Main terminal board	1
17	760-10665	Terminal box endpanel N.D.E	1
18	760-10664	Terminal box endpanel D.E.	1
19	760-10662	Terminal box side panel	2
20	760-10663	Terminal box lid	1
21	450-15254	A.V.R. Cover plate (access)	1
	450-14310	A.V.R Cover plate (blanking)	1
22	45-0742	A.V.R. Mounting bracket	1
23	E000-23212/1P	A.V.R. MX321	1
	E000-23215	A.V.R. MX321 UL	1
24	003-14046	Auxiliary terminal board	2
25	45-0324	Heater Kit 110-125 volt	1
	A053M969	Heater Kit 110-125 volt	1
	A051Y955	Heater Kit 110-125v to incl term box for retro	1
	A053X258	Heater Kit 110-125v to incl term box for retro UL Cert	1
	45-0325	Heater Kit 220-260 volt	1
	A053N003	Heater Kit 220-260 volt UL Cert	1
	A040G626	Heater Kit 220-260v to incl term box for retro	1
	A053X260	Heater Kit 220-260v to incl term box for retro UL Cert	1

HC734E to H 2 Bearing (Ser 3) (Continued)

Item	Part No.	Description	Qty
26	45-0024	Terminal box for heaters	1
27	760-10171	D.E. Bracket	1
28	760-10177	D.E. Bracket screen	2
29	45-0662	D.E. Louvre	1
30	366-13490	D.E. Bearing cartridge to (11/98)	2
	760-10552	D.E. Bearing cartridge from (11/98 TO 11/2000)	1
	760-10829	D.E. Bearing cartridge from (11/2000)	1
31	45-0298	D.E. Bearing Kit (REGREASE) to (11/2000)	1
	45-0335	D.E. Bearing Kit (REGREASE) from (11/2000)	1
32	760-10165	D.E. Bearing cap outer to (11/98)	1
	760-10553	D.E. Bearing cap outer from (11/98 to 11/2000)	1
	760-10831	D.E. Bearing cap outer from (11/2000)	1
33	45-0716	2 Brg Adaptor Kit SAE 0	1
	45-0715	2 Brg Adaptor Kit SAE 00	1
34	Included in 33	D.E. Cover screen (Included in Kits)	1

This page is Intentionally blank.

P7 A to G – 1 Bearing



P7 A to G – 1 Bearing

Item	Part No.	Description	Qty
1	45-0119A	Complete P.M.G. upfit kit	1
2	760-10562	P.M.G.Cover (cover included in above kit)	1
2a	760-11279	N.D.E. Air inlet cover G core only	1
	760-10965	N.D.E. Air inlet cover G (marine)	1
	760-11005	N.D.E. Air inlet cover (circular)	1
3	45-1082	Current P.M.G. rotor/stator repair kit	1
4	45-1082	Current P.M.G. rotor/stator repair kit	1
5	760-10823	N.D.E. Bearing cap	1
	760-11026	N.D.E. Bearing cap for use with hardened cartridge	1
6	760-10819	N.D.E. Bracket A – F	1
	760-11205	N.D.E. Bracket G	1
7	45-0336	N.D.E. Regrease bearing kit	1
	45-1153	N.D.E. Regrease brg kit c/w caps & cartridges A – E	1
	45-0418	N.D.E. Sealed bearing kit	1
	A054Y391	N.D.E. (Sealed) bearing kit C/W Caps & Cartridges A – E	1
8	760-10821	N.D.E. Bearing cartridge	1
	760-11016	N.D.E Bearing cartridge (hardened)	1
9	366-40800	Exciter stator A – F (75mm)	1
	760-1151	Exciter stator G (100mm)	1
	A052D957	Exciter stator A – F (75mm) Severe Environmental	1
	A052D963	Exciter stator G (100mm) Severe Environmental	1
10	Q.M.S.N	Main stator frame assy	1
11	760-11274	N.D.E. Bottom cover A–F	1
	366-21200	N.D.E. Bottom cover (marine –louvered)	1
	366-21300	N.D.E. Bottom cover (airfilter)	1
12	Q.M.S.N	Main rotor assy	1
13	760-1186	Exciter rotor A –F (75mm)	1
	760-1178	Exciter rotor G,R,S,T (100mm)	1
14	760-11216	Rotating rectifier assy	1
15	RSK-6001	Diode fwd/rev & varistor kit	1
16	Q.M.S.N	Main terminal board	1
17	760-11185	Terminal box endpanel N.D.E. – standard	1
	760-11268	Terminal box endpanel N.D.E. – high box	1
	760-11594	Terminal box endpanel N.D.E. – std c/w airfilters	1
	A041B941	Terminal box endpanel N.D.E. – high c/w airfilters	1
	760-11594	Terminal box endpanel N.D.E. – std c/w airfilters marine	1
	A041B941	Terminal box endpanel N.D.E. – high c/w a/f (marine)	1
18	760-11185	Terminal box endpanel D.E. – standard	1
	760-11268	Terminal box endpanel D.E. – high box	1
	760-11185	Terminal box endpanel D.E. – std c/w airfilters	1
	760-11268	Terminal box endpanel D.E. – high c/w airfilters	1
	760-11185	Terminal box endpanel D.E. – std c/w airfilters marine	1
	760-11268	Terminal box endpanel D.E. – high c/w a/f (marine)	1

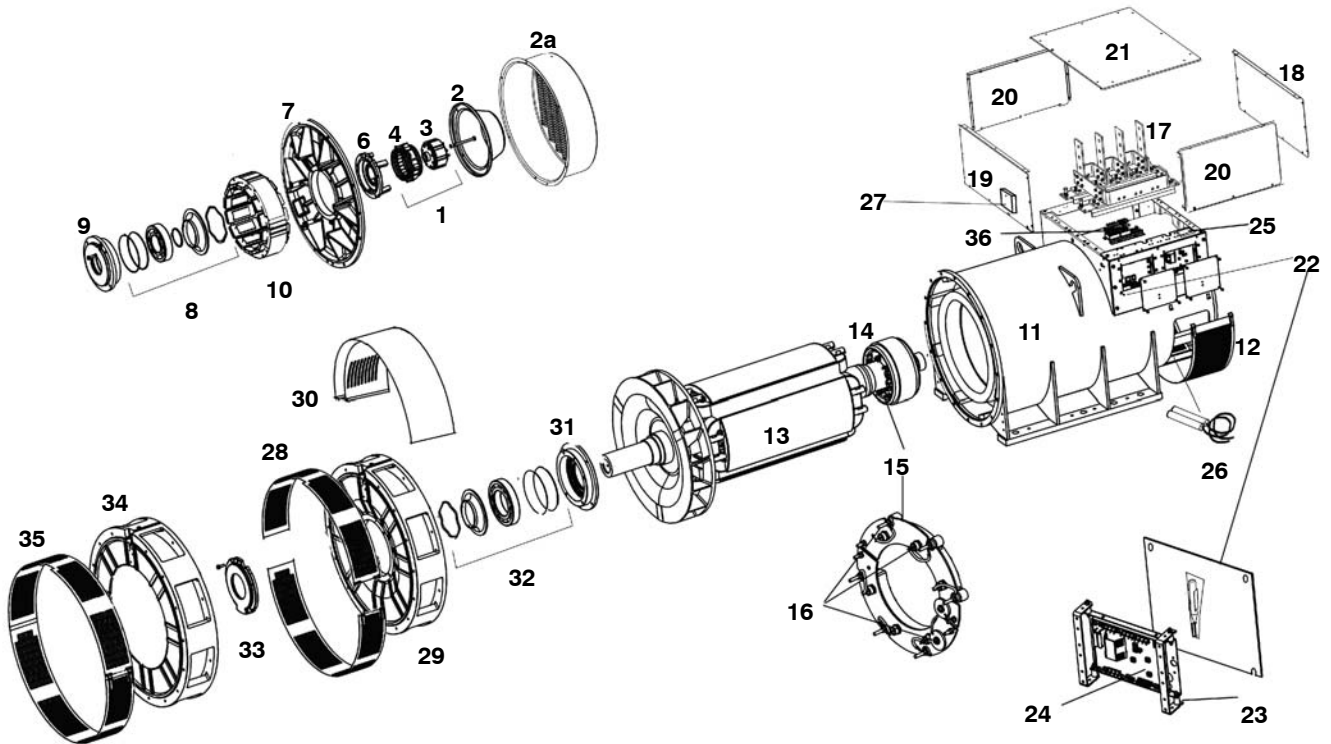
P7 A to G – 1 Bearing (Continued)

Item	Part No.	Description	Qty
19	760-11186	Terminal box side panel – standard	2
	760-11269	Terminal box side panel – high box	2
	760-11186	Terminal box side panel – std c/w airfilter	2
	760-11269	Terminal box side panel – high c/w airfilter	2
	760-11186	Terminal box side panel – std c/w airfilter marine	2
	760-11269	Terminal box side panel – high c/w a/f (marine)	2
20	760-10663	Terminal box lid – standard /high/airfilter & marine	1
21	450-15254	A.V. R. Cover plate (access)	1
	450-16417	A.V. R. Cover plate (access) (EU Machine Dir.)	1
	450-16413	A.V. R. Plastic Cover (EU Machine Dir.)	1
22	45-0742	A.V. R. Mounting bracket	1
23	E000-23412/1P	A.V. R. MX341 (standard series 3)	1
	E000-23408	A.V. R. MX341 UL	1
	E000-23212/1P	A.V. R. MX321	1
	E000-23215	A.V. R. MX321 UL	1
	E000-23800	A.V.R. DM110	1
24	450-15489	Auxiliary terminal board	1
25	45-0324	Heater 110-125 volt	1
	A053M969	Heater 110-125 volt UL Cert	1
	A051Y955	Heater Kit 110-125v to incl term box for retro	1
	A053X258	Heater Kit 110-125v to incl term box for retro UL Cert	1
	45-0325	Heater Kit 220-260 volt	1
	A053N003	Heater Kit 220-260 volt UL Cert	1
	A040G626	Heater Kit 220-260v to incl term box for retro	1
	A053X260	Heater Kit 220-260v to incl term box for retro UL Cert	1
	45-1047	Heater Kit 110-125 volt (G core)	1
	A053M999	Heater Kit 110-125 volt (G core) UL Cert	1
	A053X422	Heater Kit 110-125 volt (G core) to incl term box for retro UL Cert	1
	45-1048	Heater Kit 220-260 volt (G core)	1
	A053N109	Heater Kit 220-260 volt (G core) UL Cert	1
A053X401	Heater Kit 220-260V (G core) to incl term box for retro UL Cert	1	
26	45-0024	Terminal box for heaters	1
27	45-1011	D.E. Adaptor kit (S.A.E 0)	1
	45-1012	D.E. Adaptor kit (S.A.E 00)	1
28	See No. 29	D.E. Screen (included in adaptor kits)	1
29	45-1049	Louvre Kit S.A.E 00 – A –F	1
	45-1050	Louvre Kit S.A.E 00 – G	1
	45-1051	Louvre Kit S.A.E 0 –A – F	1
	45-1052	Louvre Kit S.A.E 0 – G	1
30	45-0792	Coupling Kit S.A.E 18 (standard)	1
	45-1005	Coupling Kit S.A.E 18 (special 12 hole)	1
	45-0793	Coupling Kit S.A.E 21	1
	45-0794	Coupling Kit S.A.E 24	1

P7 A to G – 1 Bearing (Continued)

Item	Part No.	Description	Qty
31	450-42150	Isolation transformer 2 to 1 (up to 480v)	1
	A040L270	Isolation transformer 2 to 1 (up to 480v) (UL Cert)	1
	450-42250	Isolation transformer 2.5 to 1 (600 to 240v)	1
	A040N063	Isolation transformer 2.5 to 1 (600 to 240v) (UL Cert)	1
	450-42350	Isolation transformer 3 to 1 (720 to 240v)	1
	A049N972	Isolation transformer 3 to 1 (720 to 240v) (UL Cert)	1
	450-41650	Isolation transformer 2.5 to 1 (500 to 600v)	1
	TBA	Isolation transformer 2.5 to 1 (500 to 600v) (UL Cert)	TBA
	450-41750	Isolation transformer 3 to 1 (601 to 720v)	1
	TBA	Isolation transformer 3 to 1 (601 to 720v) (UL Cert)	TBA

P7 A to G – 2 Bearing



P7 A to G – 2 Bearing

Item	Part No.	Description	Qty
1	45-0119A	Complete P.M.G. upfit Kit	1
2	760-10562	P.M.G. Cover (cover included in above Kit)	1
2a	760-11279	N.D.E. Air inlet cover G	1
	760-10965	N.D.E. Air inlet cover G (marine)	1
	760-11005	N.D.E. Air inlet cover (circular)	1
3	45-1082	Current P.M.G. rotor/stator repair Kit	1
4	45-1082	Current P.M.G. rotor/stator repair Kit	1
5	Not Applicable	P.M.G Crown (if fitted)	N/A
6	760-10823	N.D.E. Bearing cap	1
	760-11026	N.D.E. Bearing cap for use with hardened cartridge	1
7	760-10819	N.D.E. Bracket A –F	1
	760-11205	N.D.E. Bracket G	1
8	45-0336	N.D.E. Regrease bearing Kit	1
	45-1153	N.D.E. Regrease brg Kit c/w caps & cartridges A – E	1
	45-0419	N.D.E. Sealed bearing Kit	1
	A054Y408	N.D.E. Sealed bearing Kit C/W Caps & Cartridges A – E	1
9	760-10821	N.D.E. Bearing cartridge	1
	760-11016	N.D.E Bearing cartridge (hardened)	1
10	366-40800	Exciter stator A – F (75mm)	1
	760-1151	Exciter stator G (100mm)	1
	A052D957	Exciter stator A – F (75mm) Severe Environmental	1
	A052D963	Exciter stator G (100mm) Severe Environmental	1
11	Q.M.S.N	Main stator frame assy	1
12	760-11274	N.D.E. Bottom cover A–F	1
	366-21200	N.D.E. Bottom cover (marine –louvered)	1
	366-21300	N.D.E. Bottom cover (airfilter) A–F	1
13	Q.M.S.N	Main rotor assy	1
14	760-1186	Exciter rotor A –F (75mm)	1
	760-1178	Exciter rotor G,R,S,T (100mm)	1
15	760-11216	Rotating rectifier assy	1
16	RSK-6001	Diode fwd/rev & varistor Kit	1
17	Q.M.S.N	Main terminal board	1
18	760-11185	Terminal box endpanel N.D.E. – standard	1
	760-11268	Terminal box endpanel N.D.E. – high box	1
	760-11594	Terminal box endpanel N.D.E. – std c/w airfilters	1
	A041B941	Terminal box endpanel N.D.E. – high c/w airfilters	1
	760-11594	Terminal box endpanel N.D.E. – std c/w airfilters marine	1
	A041B941	Terminal box endpanel N.D.E. – high c/w a/f (marine)	1

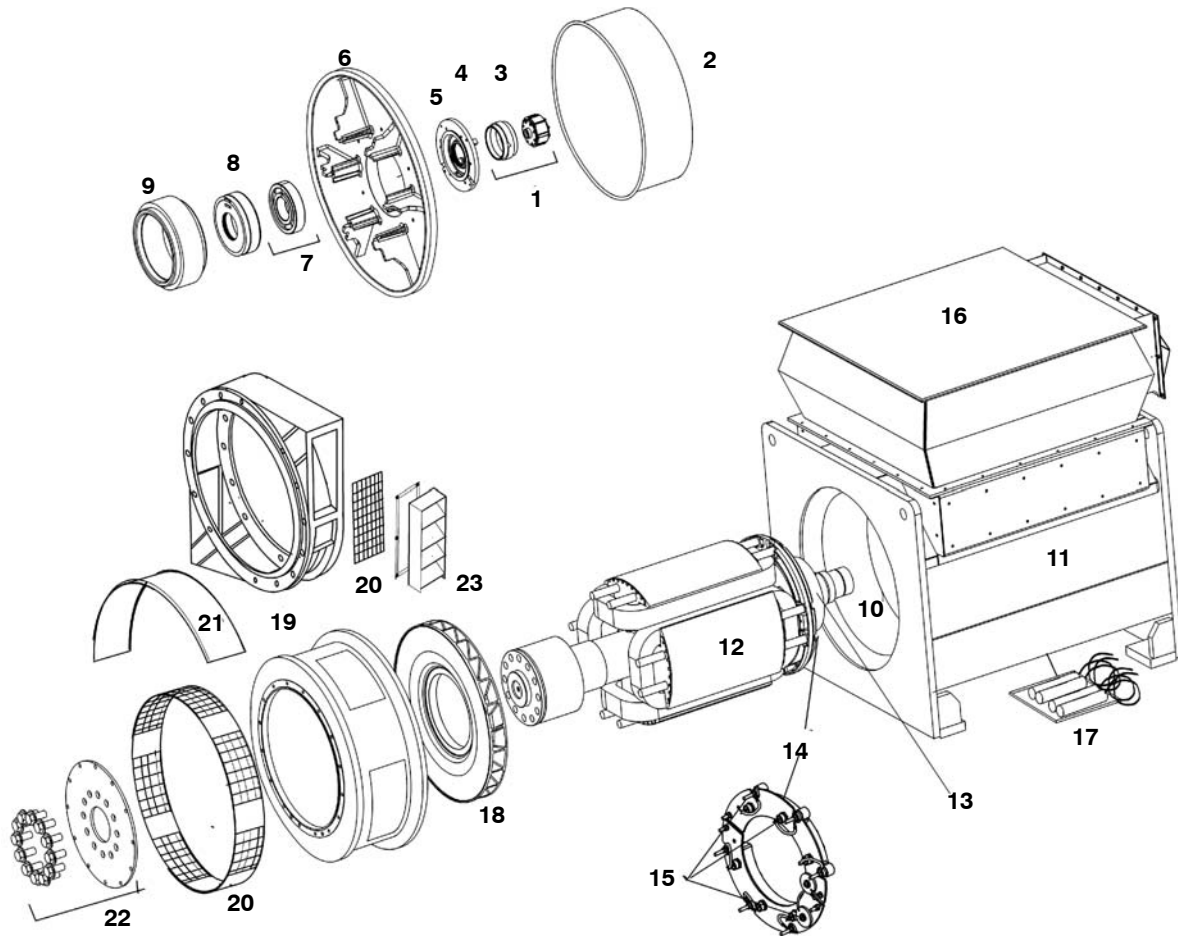
P7 A to G – 2 Bearing (Continued)

Item	Part No.	Description	Qty
19	760-11185	Terminal box endpanel D.E. – standard	1
	760-11268	Terminal box endpanel D.E. – high box	1
	760-11185	Terminal box endpanel D.E. – std c/w airfilters	1
	760-11268	Terminal box endpanel D.E. – high c/w airfilters	1
	760-11185	Terminal box endpanel D.E. – std c/w airfilters marine	1
	760-11268	Terminal box endpanel D.E. – high c/w a/f (marine)	1
20	760-11186	Terminal box side panel – standard	2
	760-11269	Terminal box side panel – high box	2
	760-11186	Terminal box side panel – std c/w airfilter	2
	760-11269	Terminal box side panel – high c/w airfilter	2
	760-11186	Terminal box side panel – std c/w airfilter marine	2
	760-11269	Terminal box side panel – high c/w a/f (marine)	2
21	760-10663	Terminal box lid – standard /high/airfilter & marine	1
22	450-15254	A.V.R. Cover plate (access)	1
	450-16417	A.V.R.Cover plate (access) (EU Machine Dir.)	1
	450-16413	A.V.R.Plastic Cover (EU Machine Dir.)	1
23	45-0742	A.V.R. Mounting bracket	1
24	E000-23412/1P	A.V.R.MX341 (standard series 3)	1
	E000-23408	A.V.R. MX341 UL	1
	E000-23212/1P	A.V.R. MX321	1
	E000-23215	A.V.R.MX321 UL	1
	E000-23800	A.V.R. DM110	1
25	450-15489	Auxiliary terminal board	1
26	45-0324	Heater Kit 110-125 volt	1
	A053M969	Heater Kit 110-125 volt UL Cert	1
	A051Y955	Heater Kit 110-125v to incl term box for retro	1
	A053X258	Heater Kit 110-125v to incl term box for retro UL Cert	1
	45-0325	Heater Kit 220-260 volt	1
	A053N003	Heater Kit 220-260 volt UL Cert	1
	A040G626	Heater Kit 220-260v to incl term box for retro	1
	A053X260	Heater Kit 220-260v to incl term box for retro UL Cert	1
	45-1047	Heater Kit 110-125 volt (g core)	1
	A053M999	Heater Kit 110-125 volt (g core) UL Cert	1
	A053X422	Heater Kit 110-125 volt (g core) to incl term box for retro UL Cert	1
	45-1048	Heater Kit 220-260 volt (g core)	1
	A053N109	Heater Kit 220-260 volt (g core) UL Cert	1
A053X401	Heater Kit 220-260 volt (g core) to incl term box for retro UL Cert	1	
27	45-0024	Terminal box for heaters	1
28	760-11160	D.E. Bracket A – E	1
	760-10912	D.E. Bracket F – G	1

P7 A to G – 2 Bearing (Continued)

29	760-11392	D.E. Bracket screen top (industrial)	1
	760-10930	D.E. Bracket screen bottom	1
30	45-1053	Louvre Kit A – F	1
	45-1054	Louvre Kit G	1
31	760-10829	D.E. Bearing cartridge A – E	1
	760-10923	D.E. Bearing cartridge F – G	1
32	45-0335	D.E. Regrease bearing Kit A – E	1
	45-1154	D.E. Regrease Brg Kit c/w caps & cartridges A – E	1
	45-1077	N.D.E. & D.E. Regrease Brg Kit complete A – E	1
	45-0425	D.E. Regrease Bearing Kit F – G	1
	45-1155	D.E. Regrease Brg Kit c/w caps & cartridges F – G	1
	45-1078	N.D.E. & D.E. Regrease Brg Kit complete F – G	1
	45-0420	D.E. Sealed Bearing Kit (A-E)	1
	A054Y423	D.E. Sealed Brg Kit C/W Caps & Cartridges (A-E)	1
	A054Y425	N.D.E. & D.E. Sealed Brg Kit C/W Caps & Cartridges (A-E)	1
33	760-10831	D.E. Bearing cap A –E	1
	760-10924	D.E. Bearing cap F- G	1
34	45-0715	2 Brg adaptor Kit SAE 00 A – E only	1
	45-0716	2 Brg adaptor Kit SAE 0 A – E only	1
	A051Y983	2 Brg adaptor Kit SAE 0 F – G only	1
	45-1038	2 Brg adaptor Kit SAE 00 F- G only	1
35	Included in 34	D.E. cover screen (included in Kits)	1
36	450-42150	Isolation transformer 2 to 1 (up to 480v)	1
	A040L270	Isolation transformer 2 to 1 (up to 480v) (UL Cert)	1
	450-42250	Isolation transformer 2.5 to 1 (600 to 240v)	1
	A040N063	Isolation transformer 2.5 to 1 (600 to 240v) (UL Cert)	1
	450-42350	Isolation transformer 3 to 1 (720 to 240v)	1
	A049N972	Isolation transformer 3 to 1 (720 to 240v) (UL Cert)	1
	450-41650	Isolation transformer 2.5 to 1 (500 to 600v)	1
	TBA	Isolation transformer 2.5 to 1 (500 to 600v) (UL Cert)	TBA
	450-41750	Isolation transformer 3 to 1 (601 to 720v)	1
	TBA	Isolation transformer 3 to 1 (601 to 720v) (UL Cert)	TBA

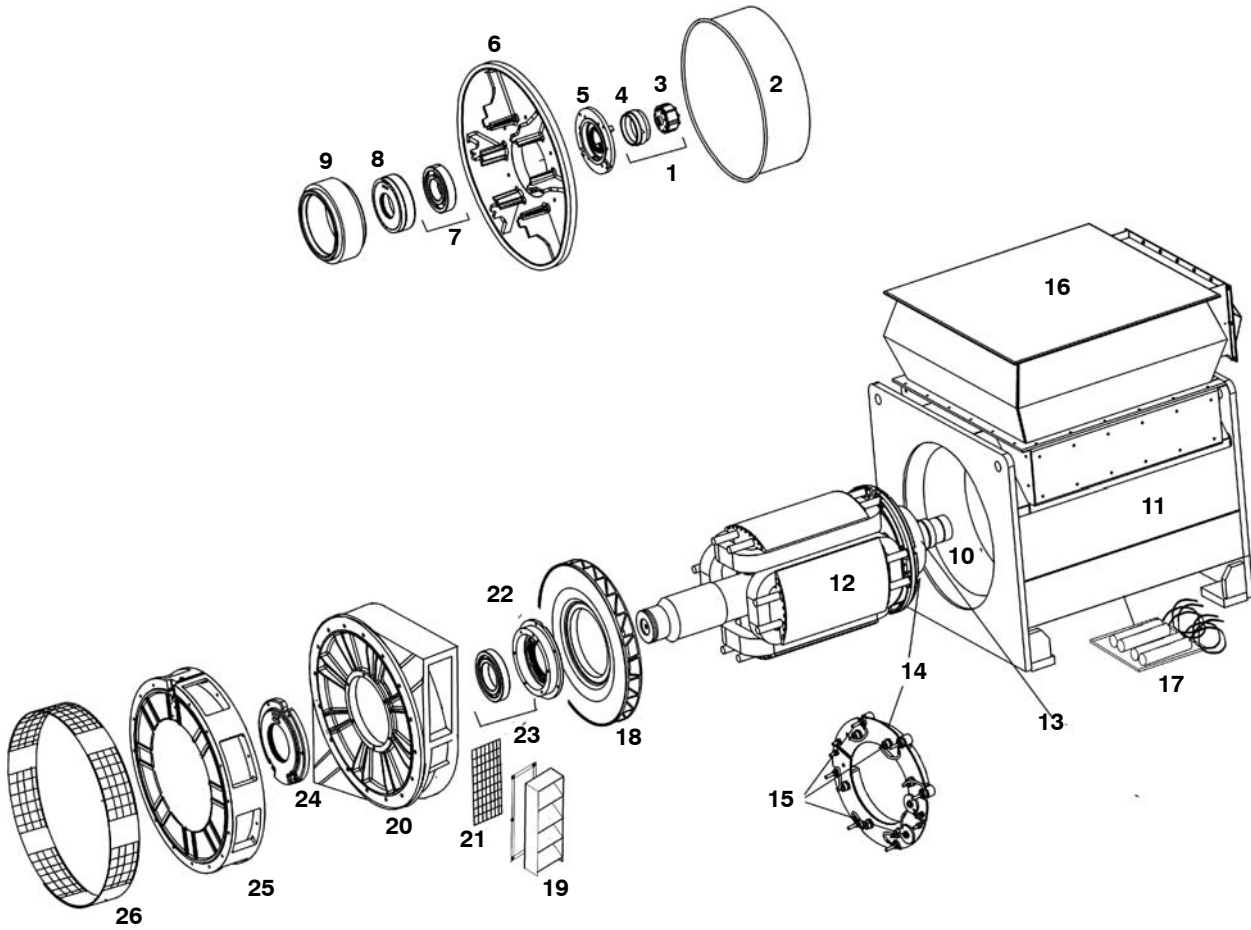
Frame 8 Mk2 1 Bearing



Frame 8 Mk2 1 Bearing

Item	Part No.	Description	Qty
1	45-1082	Complete P.M.G. kit	1
2	800-10481	N.D.E cover	1
3	SEE ITEM 1	Current P.M.G. rotor/stator repair kit	1
4	SEE ITEM 1	Current P.M.G. rotor/stator repair kit	1
5	820-10186	N.D.E. Cap	1
6	800-10602	N.D.E. Endbracket	1
7	45-0402	N.D.E Bearing kit	1
8	820-10185	N.D.E. Bearing cartridge	1
9	800-1023	Exciter stator	1
10	QMSN	Main stator frame assy	1
11	QMSN	Main stator panel work	4
12	QMSN	Main rotor assy	1
13	800-1024	Exciter rotor	1
14	810-1015	Rectifier assy	1
15	RSK-6001	Diode Fwd/Rev & Varistor Kit	1
16	QMSN	Complete terminal box assy	1
17	45-0324	Heater Kit	2
18	800-10442	Fan clockwise rotation	1
	800-10447	Fan anti-clockwise rotation	1
19	45-1147	Adaptor Kit SAE 0 C D & E	1
	45-1148	Adaptor Kit SAE 00 C D & E	1
	45-1149	Adaptor Kit MHI	1
20	QMSN	Adaptor screen (included in adaptor kits)	2
21	800-10607	Drip proof cover	2
22	45-1144	Coupling Kit SAE 18	1
	45-1145	Coupling Kit SAE 21	1
	45-1146	Coupling Kit SAE 24	1
23	45-1150	Louvre	1
	E000-13300	A.V.R. MA330 (not shown)	1

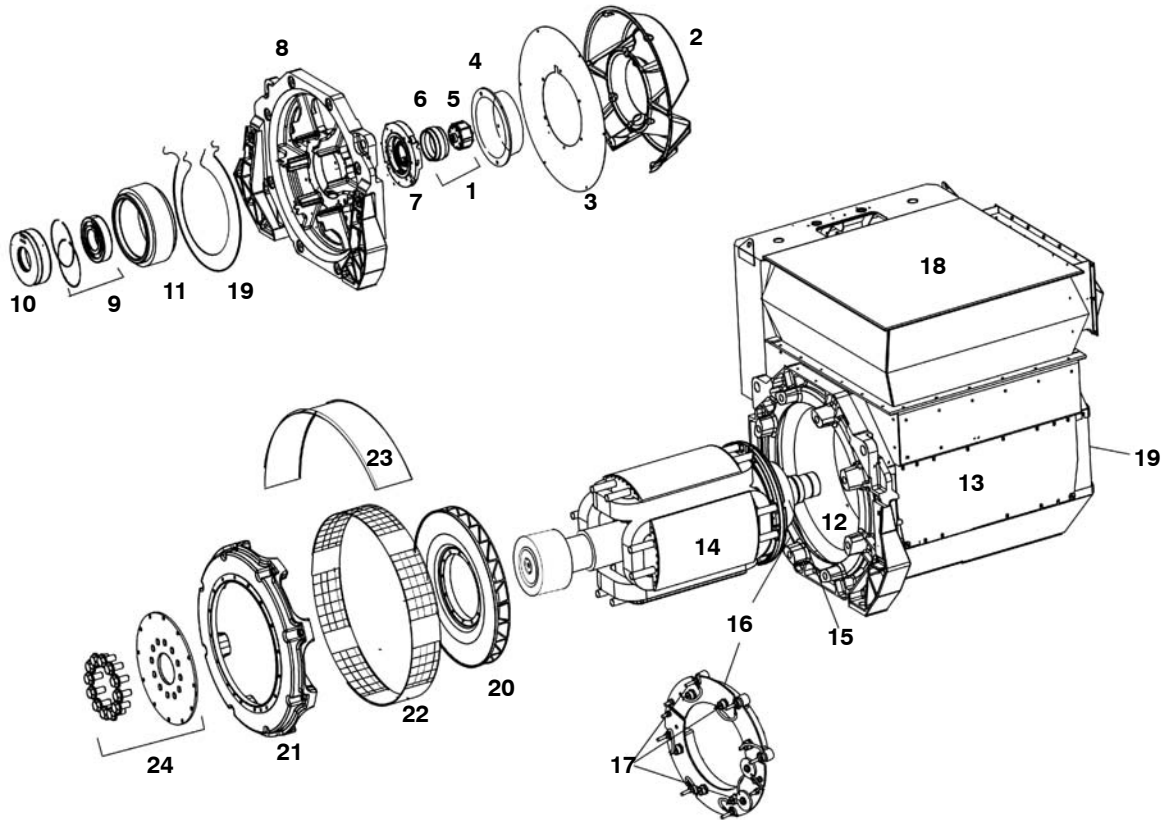
Frame 8 Mk2 2 Bearing



Frame 8 Mk2 2 Bearing

Item	Part No.	Description	Qty
1	45-1082	Complete P.M.G. Kit	1
2	800-10481	N.D.E Cover	1
3	See No.1	Current P.M.G. rotor/stator repair kit	1
4	See No.1	Current P.M.G. rotor/stator repair kit	1
5	820-10186	N.D.E. Cap	1
6	800-10602	N.D.E. Endbracket C – E	1
	800-10309	N.D.E. Endbracket F– G	1
7	45-0402	N.D.E. Bearing Kit	1
8	820-10185	N.D.E. Bearing cartridge	1
9	800-1023	Exciter stator	1
10	QMSN	Main stator frame assy	1
11	QMSN	Main stator panel work	4
12	QMSN	Main rotor assy	1
13	800-1024	Exciter rotor	1
14	810-1015	Rectifier assy	1
15	RSK-6001	Diode Fwd/Rev & Varistor Kit	1
16	QMSN	Complete terminal box assy	1
17	45-0324	Heater Kit	2
18	800-10442	Fan clockwise rotation	1
	800-10447	Fan anti-clockwise rotation	1
19	45-1150	Louvre	1
20	800-10464	D.E. Bracket C – E (clockwise)	1
	800-10313	D.E. Bracket F – G (clockwise)	1
	800-10466	D.E. Bracket C – E (anti-clockwise)	1
	800-10466	D.E. Bracket F – G (anti-clockwise)	1
21	760-10728	D.E. Bracket screen C – E	2
	800-10983	D.E. Bracket screen F – G	2
22	800-10475	D.E. Bearing cartridge C – E	1
	820-10137	D.E. Bearing cartridge F – G	1
23	45-0399	D.E. Bearing kit C – E	1
	45-0401	D.E. Bearing kit F– G	1
24	800-10477	D.E. Bearing cap C – E	1
	820-10138	D.E. Bearing cap F – G	1
25	45-1220	Adaptor Kit SAE 0 C – E	1
	45-1135	Adaptor Kit SAE 00 C – E (32 hole)	1
	45-1136	Adaptor Kit SAE 0 F – G	1
	45-1137	Adaptor Kit SAE 00 F– G	1
	45-1138	Adaptor kit SAE 00 F– G (32 hole)	1
	45-1134	Adaptor kit special C – E	1
26	See Item 26	Adaptor screen (comes with kit)	1
	E000-13300	A.V .R MA330 (not shown)	1

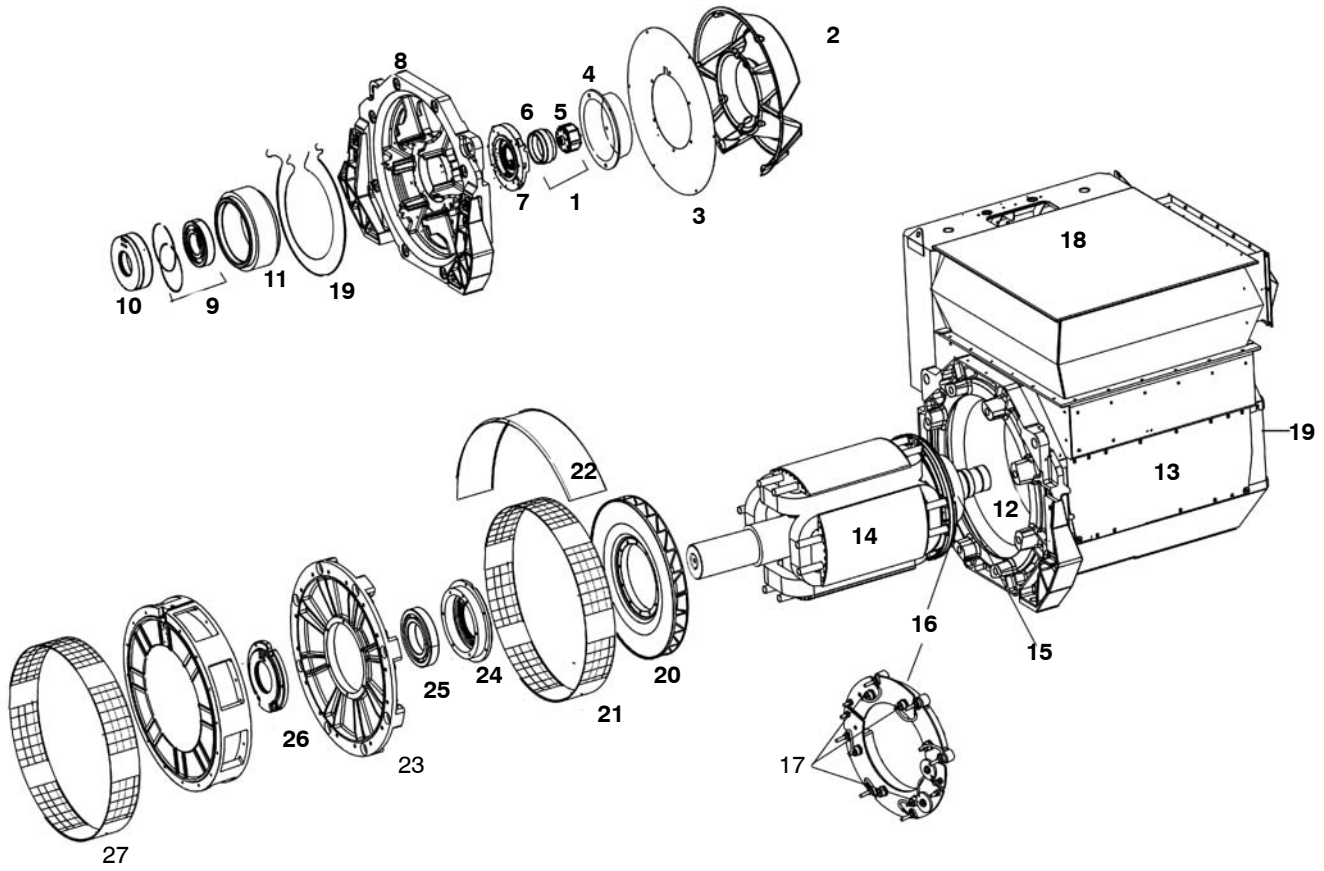
P80 – 1 Bearing



P80 – 1 Bearing

Item	Part No.	Description	Qty
1	45-1082	Complete P.M.G. Kit	1
2	800-30843	N.D.E Air inlet cover	1
3	800-30060	N.D.E Air inlet screen	1
4	450-14360	P.M.G Cover (metal)	1
5	SEE ITEM. 1	Current P.M.G. rotor/stator repair kit	1
6	SEE ITEM. 1	Current P.M.G. rotor/stator repair kit	1
7	800-30017	N.D.E. Cap	1
8	800-30020	N.D.E. Endbracket	1
9	45-0407	N.D.E Bearing Kit	1
	45-1118	N.D.E. Bearing Kit c/w caps & cartridges R,S,T,X	1
10	800-30015	N.D.E. Bearing cartridge	1
11	800-1055	Exciter stator R – T	1
	800-1056	Exciter stator W – Y	1
12	QMSN	Main stator frame assy	1
13	QMSN	Main stator panel work	1
14	QMSN	Main rotor assy	1
15	800-1048	Exciter rotor R – T	1
	800-1049	Exciter rotor W – Y	1
16	810-1015	Rectifier assy	1
17	RSK-6001	Diode Fwd/Rev & Varistor Kit	1
18	QMSN	Complete terminal box assy	1
19	45-1029	Heater Kit	1
20	800-30049	Fan (clockwise)	1
	800-30014	Fan (anti-clockwise)	1
21	45-1139	Adaptor SAE 0	1
	45-1140	Adaptor SAE 00	1
	45-1141	Adaptor special R – T mhi	1
22	SEE ITEM 30	D.E. Adaptor screen (included in adaptor kit)	2
23	800-30186	Drip proof cover	1
24	45-1144	Coupling Kit SAE 18	1
	45-1145	Coupling Kit SAE 21	1
	45-1146	Coupling Kit SAE 24	1
25	E000-13300	MA330 AVR (not shown)	1
	E000-23800	DM110 AVR (not shown)	1
	A044W728	UNITROL 1010 Basic (not shown)	1
	A044W725	UNITROL 1010 Light (not shown)	1

P80 - 2 Bearing



P80 – 2 Bearing

Item	Part No.	Description	Qty
1	45-1082	Complete P.M.G. Kit	1
2	800-30843	N.D.E Air inlet cover	1
3	800-30060	N.D.E Air inlet screen	1
4	450-14360	P.M.G Cover (metal)	1
5	See No. 1	Current P.M.G. rotor/stator repair kit	1
6	See No. 1	Current P.M.G. rotor/stator repair kit	1
7	800-30017	N.D.E. Cap	1
8	800-30020	N.D.E. Endbracket	1
9	45-0407	N.D.E Bearing Kit	1
	45-1118	N.D.E. Bearing Kit c/w caps & cartridges R,S,T,X	1
10	800-30015	N.D.E. Bearing cartridge	1
11	800-1055	Exciter stator R – T	1
	800-1056	Exciter stator W – Y	1
12	QMSN	Main stator frame assy	1
13	QMSN	Main stator panel work	1
14	QMSN	Main rotor assy	1
15	800-1048	Exciter rotor R – T	1
	800-1049	Exciter rotor W – Y	1
16	810-1015	Rectifier assy	1
17	RSK-6001	Diode Fwd/Rev & Varistor Kit	1
18	QMSN	Complete terminal box assy	1
19	45-1029	Heater Kit	1
20	800-30049	Fan (clockwise)	1
	800-30014	Fan (anti-clockwise)	1
21	800-30187	D.E. Bracket screen	2
22	800-30186	Drip proof cover	1
23	800-30022	D.E. Bracket R – T	1
	800-30165	D.E. Bracket W – Y	1
24	800-10475	D.E. Bearing cartridge R – T	1
	820-10137	D.E. Bearing cartridge W – Y	1
25	45-0408	D.E. Bearing Kit R –T	1
	45-0409	D.E. Bearing Kit W – Y	1
	45-1119	D.E. Bearing Kit c/w caps & cartridges R,S, & T	1
	45-1120	D.E. Bearing Kit c/w caps & cartridges W,X & Y	1
	45-1151	D.E. & N.D.E Complete brg kit R,S & T	1
	45-1152	D.E. & N.D.E Complete brg kit W,X & Y	1
26	800-10477	D.E. Bearing cap R – T	1
	820-10138	D.E. Bearing cap W- Y	1
27	45-1142	Adaptor Kit SAE 0 R – T	1
	45-1135	Adaptor Kit SAE 00 R –T (32 hole)	1
	45-1136	Adaptor Kit SAE 0 W – Y	1
	45-1137	Adaptor Kit SAE 00 W – Y	1

P80 – 2 Bearing (Continued)

Item	Part No.	Description	Qty
	45-1138	Adaptor Kit SAE 00 W – Y (32 hole)	1
28	SEE ITEM 27	Adaptor screen (included in adaptor kit)	1
29	E000-13300	MA330 AVR (not shown)	1
	E000-23800	DM110 AVR (not shown)	1
	A044W728	UNITROL 1010 Basic (not shown)	1
	A044W725	UNITROL 1010 Light (not shown)	1

ACCESSORIES

Range	Description	Part Number	Comments
	DROOP KITS		
UC	DROOP KIT	45-0092	
ALL BC	DROOP KIT	45-0193	
HC4/S4	DROOP KIT	45-0583	
HC5	DROOP KIT	45-0588	
HC5	DROOP TRANSFORMER FOR DM110	520-11000	
HC5	DROOP TRANSFORMER FOR DM110 UL CERT	A048U394	
HC6 & 7	DROOP KIT	45-0691	
HC6	DROOP TRANSFORMER FOR DM110	660-11621	
HC6	DROOP TRANSFORMER FOR DM110 UL CERT	A048L326	
P7	DROOP KIT	45-1024	4 Pole = Amp 1200-1999, 2400-4000 6 Pole = Amp 900-1499, 1800-3000
P7	DROOP KIT	45-1056	4 Pole = Amp < 1200, 2000-2399 6 Pole = Amp < 900, 1500-1799
P7	DROOP TRANSFORMER FOR DM110	760-11572	
P7	DROOP TRANSFORMER FOR DM110 UL CERT	A048G245	
	AIRFILTER KITS		
UC22	AIRFILTER KIT	45-0875	
UC27	AIRFILTER KIT	45-0878	To end of October 2005
ALL BC	AIRFILTER KIT	45-0769	From November 2005
HC4/S4	AIRFILTER KIT	45-0883	
HC5	AIRFILTER KIT	45-0315	
P7	AIRFILTER KIT	45-1023	Standard Terminal Box Industrial
P7	AIRFILTER KIT	45-1039	Standard Terminal Box Marine
P7	AIRFILTER KIT	45-1062	High Terminal Box Industrial
P7	AIRFILTER KIT	45-1063	High Terminal Box Marine
P7	AIRFILTER KIT	G CORE	Not currently covered by a kit
	TERMINAL BOX ASSY		
ALL BC	TERMINAL BOX STD ASSY	45-0861	
ALL BC	TERMINAL BOX STD ASSY	45-1027	
BC184 H-J CORE	3PH TERMINAL BOX KIT	45-1040	

	POWER FACTOR CONTROLLER		
ALL RANGES	PCB VERSION	E000-22090	
ALL RANGES	COMPLETE ASSEMBLY IN STEEL	E000-12090	
	ELECTRONIC MODULES		
ALL RANGES	FREQUENCY DETECTION MODULE 12V	E000-21041	
ALL RANGES	FREQUENCY DETECTION MODULE 24V	E000-21042	
ALL RANGES	EXCITATION LOSS:24V	E000-22062	
ALL RANGES	EXCITATION LOSS:12V	E000-22063	
ALL RANGES	MANUAL VOLTAGE REGULATOR	450-11400	UPFIT KIT 45-0506
ALL RANGES	DIODE FAILURE DETECTOR	E000-12025	
ALL RANGES	RFI SUPPRESSION ASSY	E000-22080	
ALL RANGES	3-PH RECTIFIER ASSY	E000-22016	
	HAND TRIMMERS		
	FOR MX321/SX421	071-01037	
	FOR MX341,SX440/465/460 AS440	071-01649	
	ISOLATION TRANSFORMERS		
UC22	1:1 TRANSFORMER ASSEMBLY	E000-22070/P	
UC27	1:1 TRANSFORMER ASSEMBLY	E000-22070/P	
HC4/S4	1:1 TRANSFORMER ASSEMBLY	E000-22070/P	
HC5	1:1 TRANSFORMER ASSEMBLY	E000-22070/P	
HC6 & HC7	2:1 ISOLATION TRANSFORMER & BRKT ASSY 480:240	450-42100	
HC6 & HC7	2.5:1 ISOLATION TRANSFORMER & BRKT ASSY 600:240	450-42200	
HC6 & HC7	3:1 ISOLATION TRANSFORMER & BRKT ASSY 720:240	450-42300	
	BEARING RTD'S		
P7	NDE RTD KIT	45-1097	
P7	DE RTD KIT	45-1096	
P7	NDE & DE RTD KIT	45-1095	

Numerical Index

<u>Part No.</u>	<u>Page</u>	<u>Part No.</u>	<u>Page</u>	<u>Part No.</u>	<u>Page</u>	<u>Part No.</u>	<u>Page</u>
003-14046, 51, 123, 127		130-20993, 37, 41, 45, 49, 53, 57, 59, 63		191-10045, 9, 13, 17, 21		230-10599, 71, 75	
003-14055, 116, 120		130-20998, 45, 51		191-10055, 17, 21		230-10624, 67, 71, 75, 79, 83	
130-10834, 51		130-20999, 45, 51		191-10056, 18, 22		230-10627, 71, 75	
130-1379, 37, 41		130-21000, 45, 51		191-10057, 9, 13, 17, 21		230-1495, 67, 71	
130-1380, 37, 41, 45, 49, 51, 53, 57		130-21001, 45, 51		191-10059, 18, 22		230-1497, 67, 71, 79, 83	
130-1381, 37, 41, 45, 51, 53, 57, 59, 63		130-21003, 51		191-10061, 9, 13, 17, 21		310-10049, 85	
130-1383, 51, 59, 63		130-21004, 51		191-10091, 9, 13, 17, 21		310-1028, 67, 79, 83	
130-1384, 37, 41		130-21005, 51		191-10119, 22		310-10400, 81	
130-1385, 37, 41, 45, 49, 51, 53, 57		130-21006, 51		191-1063, 17, 21, 29		330-10002, 67, 79, 83	
130-1386, 37, 41, 45, 51, 53, 57, 59, 63		130-21325, 38, 41, 45, 49, 53, 57, 60, 63		191-1064, 17, 21, 33		330-10020, 67, 79, 83	
130-1388, 51, 59, 63		130-21385, 37, 41		191-1067, 17, 21		330-10069, 68, 80, 84	
130-1800, 59, 63		130-21602, 41, 49		191-1068, 17, 21		330-10076, 84	
130-1801, 59, 63		130-21627, 59, 63		191-1069, 17, 21		330-10099, 67, 79, 83	
130-20308, 51		130-21628, 59, 63		191-1072, 17, 21, 29		330-10137, 67, 79, 83	
130-20318, 51		130-22000, 37, 41, 45, 49, 51, 53, 57, 59, 63		210-10121, 76		330-10258, 67, 79, 83	
130-20661, 37, 41, 45, 49, 51, 53, 57, 59, 63		130-22002, 37, 41, 49		210-1036, 71, 75		330-10381, 67, 79, 83	
130-20667, 37, 41, 45, 49, 53, 57, 59, 63		130-22003, 49		210-1037, 59, 67, 71, 75, 79, 83		330-10382, 67, 79, 83	
130-20685, 38, 46, 53, 60		130-22004, 49, 59, 63		230-10001, 69, 72, 76, 80, 84		330-10383, 67, 79, 83	
130-20745, 37, 41, 45, 49, 51		130-22005, 53, 57, 59, 63		230-10054, 71, 75		330-10384, 67, 79, 83	
130-20773, 42, 49		130-22007, 37, 41		230-10069, 72, 75		330-10386, 67, 79, 83	
130-20774, 57, 64		130-22008, 37, 41, 45, 49, 53, 57, 59, 63		230-10073, 76		330-10387, 67, 79, 83	
130-20786, 45, 51, 53, 57, 59, 63		130-22011, 59, 63		230-10073, 76		330-10388, 67, 79, 83	
130-20800, 37, 41		130-22021, 37, 41		230-10270, 71, 75		330-10389, 67, 79, 83	
130-20802, 45, 49, 51, 63		130-22022, 37, 41, 53, 57		230-10336, 71, 75		330-10600, 68, 80, 84	
130-20819, 37, 41, 45, 49, 53, 57, 59, 63		190-10016, 14		230-10337, 71, 75		330-10601, 67, 79, 83	
130-20820, 37, 41, 45, 49, 53, 57, 59, 63		190-10018, 9, 13, 17, 21		230-10338, 71, 75		330-10602, 67, 79, 83	
130-20821, 37, 41, 45, 49, 53, 57, 59, 63		190-10025, 9, 13, 17, 21		230-10340, 71, 75		330-10603, 68, 80, 84	
130-20830, 37, 41, 45, 49		190-10027, 9, 13, 17, 22		230-10341, 71, 75		330-10605, 68, 80, 84	
130-20831, 53, 57		190-10035, 17, 21		230-10342, 59, 71, 75		330-10606, 68, 80, 84	
130-20832, 51, 59, 63		190-10043, 14		230-10565, 71, 75		330-10609, 68, 84	
130-20834, 45, 49		190-10044, 14		230-10566, 71, 75		330-10611, 68, 80, 84	
130-20836, 37, 41, 53, 57		190-1038, 9, 13		230-10567, 71, 75		330-10612, 68, 80, 84	
130-20916, 63		190-1039, 9, 13, 17, 21		230-10568, 71, 75		330-10613, 68, 80, 84	
130-20928, 57, 63		190-1040, 9, 13		230-10571, 71, 75		330-10614, 68, 80, 84	
		190-1041, 9, 13, 17, 21, 29		230-10573, 71, 75		330-10615, 68, 80, 84	
		191-10029, 22		230-10574, 71, 75		330-10617, 68, 80, 84	
		191-10042, 9, 14, 18, 22		230-10575, 71, 75		330-10620, 68, 80, 84	
				230-10580, 71, 75		330-10622, 67, 79, 83	
				230-10583, 71, 75		330-10630, 67, 79, 83	
				230-10587, 71, 75		330-10634, 67, 79, 83	

Numerical Index (Continued)

<u>Part No.</u>	<u>Page</u>	<u>Part No.</u>	<u>Page</u>	<u>Part No.</u>	<u>Page</u>	<u>Part No.</u>	<u>Page</u>
330-10636, 68 , 80 , 84		410-10799, 87 , 91 , 95 , 99 , 103		45-0301, 123		45-0522, 85	
330-1280, 79 , 83		410-10803, 88 , 92 , 95 , 99 , 103		45-0318A, 87 , 91 , 95 , 99 , 103		45-0523, 85	
366-13490, 128		410-10819, 88 , 92 , 95 , 99 , 103		45-0319, 92 , 100		45-0524, 85	
366-21200, 123 , 127 , 131 , 135		410-10859, 88 , 92 , 95 , 99 , 103		45-0320, 87 , 91 , 95 , 99 , 103 , 107 , 111		45-0526, 72	
366-21300, 131 , 135		410-10870, 88 , 92 , 95 , 99 , 103		45-0321, 113		45-0527, 60 , 72	
366-40800, 115 , 119 , 123 , 127 , 131 , 135		410-10871, 87 , 91 , 95 , 99 , 103		45-0324, 123 , 127 , 132 , 136 , 139 , 141		45-0528, 72	
410-10173, 88 , 92		410-10872, 87 , 91 , 95 , 99 , 103		45-0325, 123 , 127 , 132 , 136		45-0529, 76	
410-10256, 87 , 91		410-10873, 88 , 92 , 95 , 99 , 103		45-0328A, 107 , 111		45-0530, 76	
410-10267, 87 , 111		410-1194, 87 , 91 , 95 , 99 , 103		45-0335, 128 , 137		45-0531, 76	
410-10268, 91 , 107		45-0024, 37 , 41 , 45 , 49 , 51 , 53 , 57 , 59 , 63 , 69 , 72 , 76 , 80 , 84 , 88 , 92 , 96 , 100 , 104 , 109 , 113 , 116 , 120 , 124 , 128 , 132 , 136		45-0336, 123 , 127 , 131 , 135		45-0532, 76	
410-10269, 92		45-0059A, 87 , 91 , 107		45-0339, 121		45-0533, 76	
410-10494, 87 , 91		45-0060A, 111 , 115 , 119		45-0340, 115 , 119		45-0604, 76	
410-10495, 87 , 91		45-0073, 92 , 96 , 100 , 104 , 109 , 113 , 120		45-0341A, 115 , 119		45-0619, 42 , 49 , 57 , 64	
410-10496, 88 , 92		45-0074, 92 , 96 , 100 , 104 , 109 , 113		45-0342, 121		45-0620, 42 , 49 , 57 , 64	
410-10497, 88 , 92 , 95 , 99 , 103		45-0075A, 67 , 71 , 75 , 79 , 83		45-0343, 115 , 119		45-0621, 42 , 49 , 57 , 64	
410-1052, 87 , 91 , 95 , 99 , 103 , 107 , 111		45-0117, 37 , 41 , 45 , 53 , 57 , 68 , 72 , 76 , 80 , 84		45-0363, 14 , 22 , 41 , 49 , 57 , 63		45-0630, 72	
410-10536, 68 , 72 , 75 , 80 , 84 , 88 , 92		45-0118, 37 , 41 , 45 , 53 , 57 , 68 , 72 , 76 , 80 , 84		45-0365, 76		45-0631, 72	
410-10703, 87 , 91 , 95 , 99 , 103		45-0119A, 123 , 127 , 131 , 135		45-0367, 85		45-0632, 76	
410-10704, 87 , 91 , 95 , 99 , 103 , 107 , 111		45-0194, 49 , 51 , 59 , 63		45-0373, 88 , 116		45-0633, 81	
410-10705, 87 , 91 , 95 , 99 , 103 , 107 , 111		45-0195, 49 , 51 , 59 , 63		45-0374, 88 , 116 , 120		45-0634, 85	
410-10708, 92 , 100		45-0290, 92		45-0397A, 123 , 127		45-0651, 88 , 96	
410-10720, 87 , 91 , 95 , 99 , 103		45-0291, 87 , 91 , 107 , 111		45-0399, 141		45-0652, 88 , 96	
410-10762, 88 , 96		45-0292, 113		45-0401, 141		45-0653, 92 , 100	
410-10781, 92 , 100		45-0294, 121		45-0402, 139 , 141		45-0654, 109	
410-10784, 87 , 91 , 95 , 99 , 103		45-0295, 119		45-0407, 143 , 145		45-0655, 109	
410-10785, 87 , 91 , 95 , 99 , 103		45-0297, 115		45-0408, 145		45-0656, 113	
410-10786, 88 , 92 , 95 , 99 , 103		45-0298, 128		45-0409, 145		45-0657, 117	
410-10788, 88 , 92 , 95 , 99 , 103		45-0300, 127		45-0418, 131		45-0658, 117	
410-10789, 87 , 91 , 95 , 99 , 103				45-0419, 135		45-0659, 121	
410-10790, 87 , 91 , 95 , 99 , 103				45-0420, 137		45-0660, 124	
				45-0425, 137		45-0661, 124	
				45-0427, 9 , 13 , 17 , 21 , 33 , 37 , 41 , 45 , 49 , 51 , 53 , 57 , 59 , 63		45-0662, 128	
				45-0428, 63 , 67 , 71 , 75 , 79 , 83		45-0663, 88 , 96	
				45-0520, 81		45-0664, 88 , 96	
				45-0521, 81		45-0665, 88 , 96	
						45-0666, 109	
						45-0667, 109	
						45-0668, 109	
						45-0669, 109	
						45-0674, 124	
						45-0675, 92 , 100	

Numerical Index (Continued)

<u>Part No.</u>	<u>Page</u>	<u>Part No.</u>	<u>Page</u>	<u>Part No.</u>	<u>Page</u>	<u>Part No.</u>	<u>Page</u>
45-0676, 92 , 100		45-0765, 81		45-0917, 109		45-1144, 139 , 143	
45-0677, 92 , 100		45-0766, 69 , 81		45-0918, 51		45-1145, 139 , 143	
45-0678, 113		45-0767, 81		45-0932, 113		45-1146, 139 , 143	
45-0679, 113		45-0768, 69 , 81		45-0937, 117		45-1147, 139	
45-0680, 113		45-0772, 38 , 46 , 54 , 60		45-0942, 117		45-1148, 139	
45-0681, 113		45-0773, 38 , 46 , 54 , 60		45-0943, 117		45-1149, 139	
45-0682, 121		45-0774, 38 , 46 , 54 , 60		45-0944, 117		45-1150, 139 , 141	
45-0683, 121		45-0775, 38 , 46 , 54 , 60		45-0945, 117		45-1151, 145	
45-0689, 72		45-0776, 88 , 96 , 104		45-1005, 132		45-1152, 145	
45-0690, 81		45-0777, 88 , 96 , 104		45-1011, 132		45-1153, 131 , 135	
45-0715, 128 , 137		45-0778, 88 , 96 , 104		45-1012, 124 , 132		45-1154, 137	
45-0716, 128 , 137		45-0779, 88 , 96 , 104		45-1029, 143 , 145		45-1155, 137	
45-0719, 42 , 49 , 57 , 64		45-0780, 109		45-1038, 137		45-1161, 9 , 13 , 18 , 22	
45-0721, 88 , 96		45-0781, 109		45-1047, 132 , 136		45-1162, 9 , 13 , 18 , 22	
45-0723, 37 , 45 , 53 , 59		45-0782, 109		45-1048, 132 , 136		45-1163, 9 , 13 , 18 , 22	
45-0725, 38 , 45 , 53 , 59		45-0783, 109		45-1049, 132		45-1164, 9 , 13 , 18 , 22	
45-0726, 38 , 46 , 54 , 57 , 60 , 63		45-0788, 117		45-1050, 132		45-1165, 9 , 13 , 17 , 21	
45-0727, 38 , 41 , 46 , 49 , 54 , 60		45-0789, 117		45-1051, 132		45-1166, 9 , 13 , 17 , 21	
45-0742, 68 , 72 , 76 , 80 , 84 , 88 , 92 , 95 , 96 , 99 , 100 , 103 , 104 , 108 , 112 , 116 , 120 , 123 , 127 , 132 , 136		45-0790, 117		45-1052, 132		45-1167, 17 , 21	
45-0743, 38 , 46 , 53 , 60		45-0791, 117		45-1053, 137		45-1168, 17 , 21	
45-0744, 38 , 46 , 53 , 60		45-0792, 124 , 132		45-1054, 137		45-1169, 17 , 21	
45-0745, 38 , 46 , 54 , 60		45-0793, 124 , 132		45-1077, 137		45-1170, 10 , 18	
45-0746, 38 , 46 , 54 , 60		45-0794, 124 , 132		45-1078, 137		45-1171, 10 , 18	
45-0748, 38 , 46 , 53 , 60		45-0802, 109		45-1080, 67 , 71 , 75 , 79 , 83		45-1172, 10 , 18	
45-0749, 38 , 46 , 54 , 60		45-0808, 113		45-1082, 87 , 91 , 95 , 99 , 103 , 107 , 111 , 115 , 119 , 123 , 127 , 131 , 135 , 139 , 141 , 143 , 145		45-1173, 10 , 18	
45-0750, 38 , 46 , 54 , 60		45-0813, 37 , 45 , 53 , 59		45-1099, 107 , 111		45-1174, 10 , 18	
45-0751, 38 , 46 , 54 , 60		45-0830, 37 , 45 , 53 , 59		45-1100, 113		45-1175, 9 , 13 , 17 , 21	
45-0753, 88 , 96		45-0839, 69		45-1118, 143 , 145		45-1176, 17	
45-0755, 37 , 41 , 45 , 49 , 53 , 57 , 59 , 63		45-0840, 69		45-1119, 145		45-1180, 10 , 18	
45-0756, 37 , 45 , 53 , 59		45-0850, 69		45-1120, 145		45-1181, 10 , 18	
45-0757, 72		45-0851, 69		45-1134, 141		45-1183, 10 , 18	
45-0758, 72		45-0852, 69		45-1135, 141 , 145		45-1184, 10 , 18	
45-0759, 72		45-0857, 46		45-1136, 141 , 145		45-1185, 10 , 18	
45-0760, 72		45-0863, 85		45-1137, 141 , 145		45-1186, 10 , 18	
45-0761, 72		45-0866, 9 , 13 , 17 , 21 , 33 , 37 , 41 , 45 , 49 , 51 , 53 , 57 , 59 , 63		45-1138, 141 , 146		45-1188, 10 , 18	
45-0762, 72		45-0867, 71 , 75		45-1139, 143		45-1190, 9 , 18	
45-0764, 81		45-0868, 67 , 79 , 83		45-1140, 143		45-1191, 10 , 18	
		45-0910, 92 , 100		45-1141, 143		45-1192, 10 , 18	
		45-0912, 85		45-1142, 145			
		45-0916, 88 , 96					

Numerical Index (Continued)

<u>Part No.</u>	<u>Page</u>	<u>Part No.</u>	<u>Page</u>	<u>Part No.</u>	<u>Page</u>	<u>Part No.</u>	<u>Page</u>
45-1193, 10, 18				520-10536, 108, 112		660-10074, 121	
45-1194, 10, 18		450-16414, 88, 92, 108, 112		520-10557, 113		660-1010, 119	
45-1195, 10, 18		450-16417, 116, 120, 132, 136		520-10776, 113		660-10650, 116, 120	
45-1196, 10, 18				520-10778, 113		660-10651, 116, 120	
45-1197, 10, 18		450-41650, 133, 137		520-10780, 107, 111		660-10652, 116, 120	
45-1198, 10, 18		450-41750, 133, 137		520-10810, 107, 111		660-10653, 115, 119	
45-1199, 10, 18		450-42150, 133, 137		520-10811, 107, 111		660-10654, 116, 120	
45-1200, 14, 22		450-42250, 133, 137		520-10812, 107, 111		660-10655, 115, 119	
45-1201, 14, 22		450-42350, 133, 137		520-10816, 113		660-10783, 116, 120	
45-1202, 14, 22		458-10110, 87, 111		520-10818, 113		660-10784, 116, 120	
45-1203, 14, 22		458-10130, 92		520-10906, 108, 112		660-10860, 115, 119	
45-1204, 10, 18		458-10260, 92, 100		520-10907, 108, 112		660-10862, 115, 119	
45-1205, 9, 14, 18, 22		458-10706, 92, 100		520-10908, 108, 112		660-10864, 115, 119	
45-1206, 9, 13, 17, 21		458-11170, 92		520-10909, 108, 112		660-10868, 120	
45-1209, 10, 18		458-12960, 91, 107		520-10910, 108, 112		660-10870, 121	
45-1210, 9, 13, 17, 21		458-20200, 87, 91, 95, 99, 103		520-10911, 108, 112		660-10872, 121	
45-1211, 9, 13, 17, 21		458-20400, 87, 91, 95, 99, 103		520-10912, 108, 112		660-10923, 116, 120	
45-1212, 9, 13, 17, 21		458-22800, 87, 91		520-10913, 108, 112		660-10924, 116, 120	
45-1213, 9, 13, 17, 21		462-10130, 113		520-10914, 108, 112		660-10925, 115, 119	
45-1220, 141		462-1020, 107, 111		520-10916, 108, 112		660-11219, 116, 120	
450-12590, 87, 91, 107, 111		462-10260, 113		520-10917, 108, 112		660-11220, 115, 119	
		462-11170, 113		520-10918, 108, 112		660-11242, 116, 120	
450-13350, 87, 91, 107, 111		462-11840, 108, 112		520-10920, 108, 112		660-11565, 115, 119	
		462-11880, 108, 112		520-10921, 108, 112		660-11604, 115, 119	
450-14310, 68, 72, 75, 80, 84, 108, 112, 116, 120, 123, 127		462-12920, 115, 119		520-10933, 107, 111		660-11681, 116, 120	
450-14360, 51, 67, 71, 75, 79, 83, 143, 145		462-20100, 107, 111		520-10982, 108, 112		660-11682, 115, 119	
450-14450, 67, 71, 75, 79, 83		462-23400, 107, 111		520-11015, 108, 112		660-11683, 116, 120	
450-15254, 88, 92, 95, 99, 103, 116, 120, 123, 127, 132, 136		464-15090, 121		520-11025, 108, 112		660-11684, 115, 119	
		464-15630, 120		520-11026, 108, 112		660-11686, 116, 120	
450-15489, 68, 72, 76, 80, 84, 88, 92, 96, 100, 104, 109, 113, 132, 136		464-15650, 121		520-11027, 108, 112		660-11687, 116, 120	
		464-31600, 115, 119		520-11028, 108, 112		660-11688, 116	
450-15617, 67, 71, 75, 79, 83		464-32100, 115, 119		520-11029, 108, 112		660-11689, 115, 119	
		520-10153, 108, 112		520-11030, 108, 112		660-11690, 116, 120	
450-16016, 87, 91, 95, 99, 103, 107, 111		520-10181, 108, 112		520-11031, 108, 112		660-11691, 115, 119	
		520-10286, 107, 111		520-11032, 108, 112		730-10002, 71, 75	
450-16025, 115, 119, 123, 127		520-10305, 107, 111		520-11033, 108, 112		730-10233, 123, 127	
		520-10306, 107, 111		520-1142, 107, 111		730-10235, 123, 127	
450-16413, 88, 92, 108, 112, 116, 120, 132, 136		520-10333, 113		660-1005, 115		760-1009, 123, 127	
		520-10534, 108, 112		660-10064, 115, 119		760-10121, 123, 127	
				660-10071, 115, 119		760-10122, 123, 127	

Numerical Index (Continued)

<u>Part No.</u>	<u>Page</u>	<u>Part No.</u>	<u>Page</u>	<u>Part No.</u>	<u>Page</u>	<u>Part No.</u>	<u>Page</u>
760-10165, 128		760-11594, 131 , 135		A040G618, 9 , 13 , 18 , 22		A052D957, 115 , 119 , 123 , 127 , 131 , 135	
760-10171, 128		760-1178, 131 , 135		A040G620, 88 , 92 , 96 , 100 , 104 , 109 , 113 , 116		A052D963, 131 , 135	
760-10177, 128		760-1186, 131 , 135		A040G622, 68 , 72 , 76 , 80 , 84		A052E494, 33	
760-10178, 124		800-1023, 139 , 141		A040G624, 88 , 92 , 96 , 100 , 104 , 109 , 113 , 116 , 120		A052E626, 29	
760-10550, 123 , 127		800-1024, 139 , 141		A040G626, 123 , 127 , 132 , 136		A052E628, 25	
760-10551, 127		800-10309, 141		A040G630, 68 , 72 , 76 , 80 , 84		A052F473, 29	
760-10552, 128		800-10313, 141		A040H491, 96 , 100 , 104		A052F476, 25	
760-10553, 128		800-10442, 139 , 141		A040L270, 133 , 137		A052F554, 9 , 13	
760-10562, 115 , 119 , 123 , 127		800-10447, 139 , 141		A040N063, 133 , 137		A052F581, 25	
760-10568, 123		800-10464, 141		A041B941, 131 , 135		A052F650, 9 , 17 , 21	
760-10662, 123 , 127		800-10466, 141		A041H349, 71 , 75		A052F652, 17 , 21	
760-10663, 123 , 127 , 132 , 136		800-10475, 141 , 145		A044W725 , 143 , 146		A052F660, 17 , 21	
760-10664, 123 , 127		800-10477, 141 , 145		A044W728, 143		A052F805, 17 , 21	
760-10665, 123 , 127		800-1048, 143 , 145		A044W728, 146		A052H292, 33	
760-10728, 141		800-10481, 139 , 141		A049N972, 133 , 137		A052H908, 29	
760-10819, 131 , 135		800-1049, 143 , 145		A051C308, 25		A052J112, 25 , 29	
760-10821, 123 , 127 , 131 , 135		800-1055, 143 , 145		A051G467, 29		A052J113, 25	
760-10823, 131 , 135		800-1056, 143 , 145		A051L176, 29 , 33		A052J157, 33	
760-10829, 128 , 137		800-10602, 139 , 141		A051L177, 33		A052J677, 25	
760-10831, 128 , 137		800-10607, 139		A051L180, 25		A052J678, 25	
760-10912, 136		800-10983, 141		A051L225, 29		A052T358, 33	
760-10923, 137		800-30014, 143 , 145		A051L226, 33		A052V905, 29	
760-10924, 137		800-30015, 143 , 145		A051L227, 33		A052V920, 25	
760-10930, 137		800-30017, 143 , 145		A051L228, 33		A052W607, 29	
760-10965, 131 , 135		800-30020, 143 , 145		A051P107, 33		A052W626, 25	
760-11005, 131 , 135		800-30022, 145		A051P111, 29		A052W630, 33	
760-11016, 131 , 135		800-30049, 143 , 145		A051P115, 25		A052W630, 33	
760-11026, 131 , 135		800-30060, 143 , 145		A051Y955, 123 , 127 , 132 , 136		A052W676, 25	
760-11160, 136		800-30165, 145		A051Y983, 137		A052W678, 25	
760-11185, 131 , 135 , 136		800-30186, 143 , 145		A052B581, 67 , 71 , 75		A052W684, 29	
760-11186, 132 , 136		800-30187, 145		A052B588, 67 , 71 , 75 , 79 , 83		A052W687, 33	
760-11205, 131 , 135		800-30843, 143 , 145		A052B648, 79 , 83		A052X170, 25	
760-11216, 131 , 135		810-1015, 139 , 141 , 143 , 145		A052D639, 87 , 91 , 95 , 99 , 103 , 107 , 111		A052X183, 29	
760-11268, 131 , 135 , 136		820-10137, 141 , 145		A052D940, 107 , 111		A052X197, 33	
760-11269, 132 , 136		820-10138, 141 , 145				A052X624, 25	
760-11274, 131 , 135		820-10185, 139 , 141				A052X629, 29	
760-11279, 131 , 135		820-10186, 139 , 141				A052X631, 33	
760-11392, 137		A040G608, 9 , 13 , 18 , 22				A053E622, 25	
760-1151, 131 , 135		A040G612, 9 , 13 , 18 , 22				A053E624, 25	
		A040G614, 9 , 13 , 18 , 22				A053E721, 25	
						A053F333, 33	
						A053F381, 29	

Numerical Index (Continued)

<u>Part No.</u>	<u>Page</u>	<u>Part No.</u>	<u>Page</u>	<u>Part No.</u>	<u>Page</u>	<u>Part No.</u>	<u>Page</u>
A053F383, 29		A053P101, 25		A054K294, 33		104, 108, 112, 116, 120	
A053F395, 29		A053X252, 88, 92, 96, 100,		A054K297, 33		123, 127, 132, 136	
A053F397, 29		104, 109, 113, 116, 120		A054K299, 33		E000-23408, 68, 72, 76, 80	
A053F505, 33		A053X255, 88, 92, 96, 100,		A054K301, 33		84, 88, 92, 108, 112,	
A053F533, 33		104, 109, 113, 116, 120		A054L239, 25		116, 120, 132, 136	
A053G582, 33		A053X258, 123, 127, 132,		A054L242, 25		E000-23412/1P, 68, 72, 76,	
A053G584, 33		136		A054L246, 25		80, 84, 88, 92, 108,	
A053L646, 25		A053X260, 123, 127, 132,		A054L339, 25		112, 116, 120, 132, 136	
A053L652, 29		136		A054P369, 25, 29, 33		E000-23800, 116, 120, 132,	
A053L666, 29		A053X265, 68, 72, 76, 80,		A054S342, 103		136, 143, 146	
A053L667, 29		84		A054U637, 104		E000-24210/1P, 68, 72, 76,	
A053L668, 25		A053X267, 68, 72, 76, 80,		A054X535, 33		80, 84, 88, 92, 96, 100	
A053L669, 29		84		A054X974, 33		, 104, 108, 112	
A053L670, 33		A053X401, 132, 136		A054Y391, 131		E000-24403/1P, 37, 41, 45,	
A053L675, 33		A053X422, 132, 136		A054Y408, 135		49, 51, 53, 57, 59, 63,	
A053L677, 33		A054G545, 29		A054Y423, 137		68, 72, 76, 80, 84, 88,	
A053L678, 33		A054H811, 25, 29		A054Y425, 137		92, 96, 100, 104, 108,	
A053M968, 88, 92, 96, 100,		A054H816, 29		A055L792, 104		112	
104, 109, 113, 116, 120		A054H820, 25, 29		A056B802, 104		E000-24408/1P, 37, 41, 45,	
A053M969, 123, 127, 132,		A054H831, 25, 29		A056N655, 104		49, 51, 53, 57, 59, 63,	
136		A054H854, 29		E000-13300, 139, 141, 143,		68, 72, 76, 80, 84	
A053M999, 132, 136		A054H863, 29		146		E000-24602/1P, 37, 41, 45,	
A053N002, 88, 92, 96, 100,		A054H889, 29		E000-14808/1P, 9, 13, 18,		49, 51, 53, 57, 59, 63,	
104, 109, 113, 116, 120		A054H900, 29		22		68, 72, 76, 80, 84	
A053N003, 123, 127, 132,		A054K278, 25		E000-14831, 9, 13, 17, 21,		QMSN, 57	
136		A054K280, 25		131, 135		RSK-1101, 9, 13, 17, 21,	
A053N107, 68, 72, 76, 80,		A054K282, 25		E000-14851, 9, 13, 17, 21		33, 37, 41, 45, 49, 51,	
84		A054K284, 25		E000-23212/1P, 68, 72, 76,		53, 57, 59, 63	
A053N108, 68, 72, 76, 80,		A054K286, 29		80, 84, 88, 92, 96, 100		RSK-2001, 67, 71, 75, 79,	
84		A054K288, 29		, 104, 108, 112, 116,		83	
A053N109, 132, 136		A054K290, 29		120, 123, 127, 132,		RSK-5001, 87, 91, 95, 99,	
A053P092, 25		A054K292, 29		136		103, 107, 111	
				E000-23215, 68, 72, 76, 80		RSK-6001, 115, 119, 123,	
				, 84, 88, 92, 96, 100,		127, 131, 135, 139,	
						141, 143, 145	



www.stamford-avk.com

Copyright 2017, Cummins Generator Technologies Ltd. All Rights Reserved
Cummins and the Cummins logo are registered trademarks of Cummins Inc.