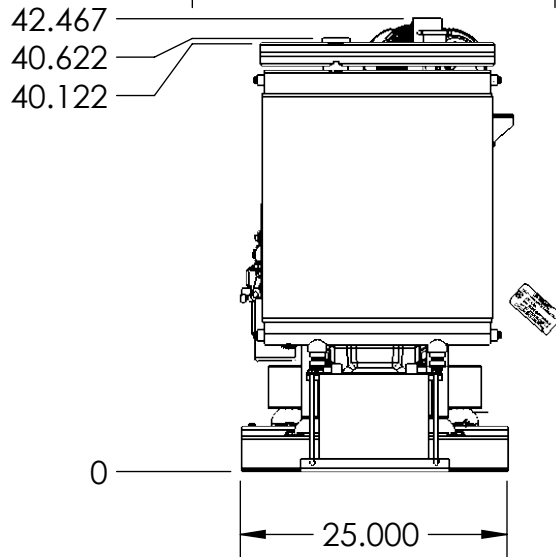
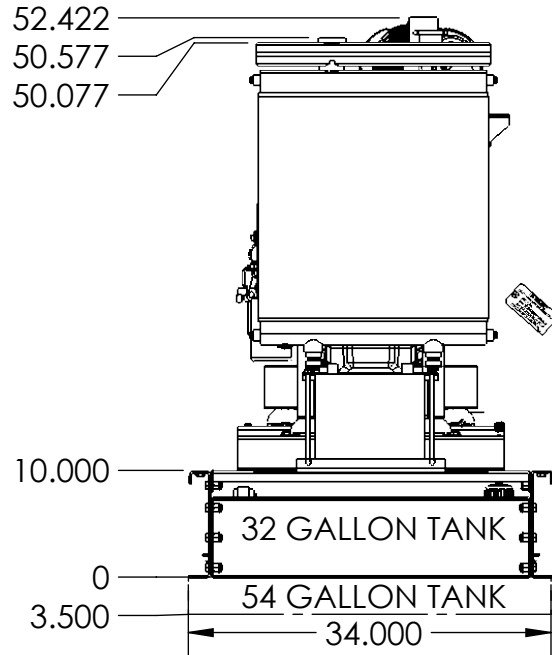
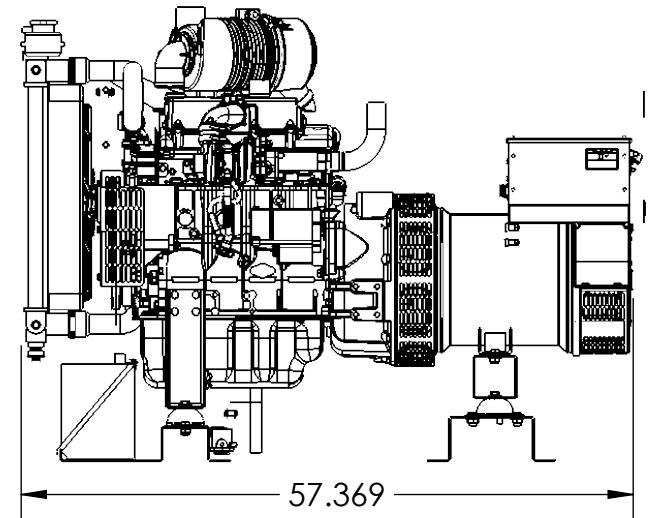
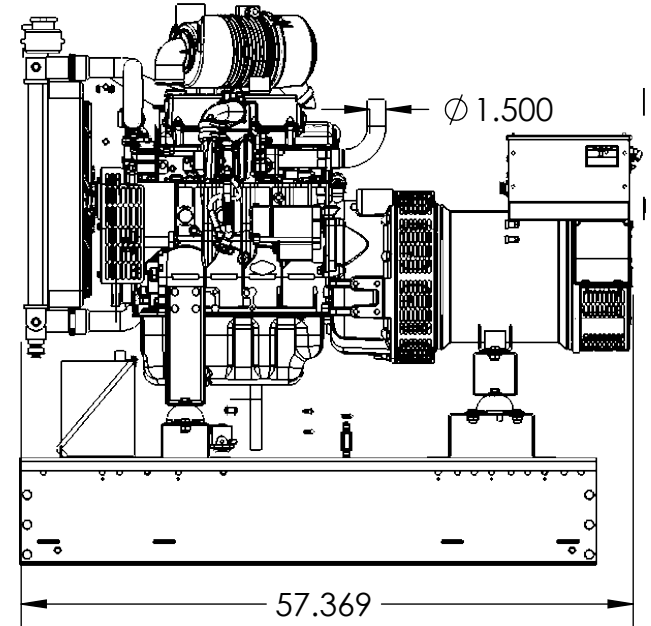




O-505

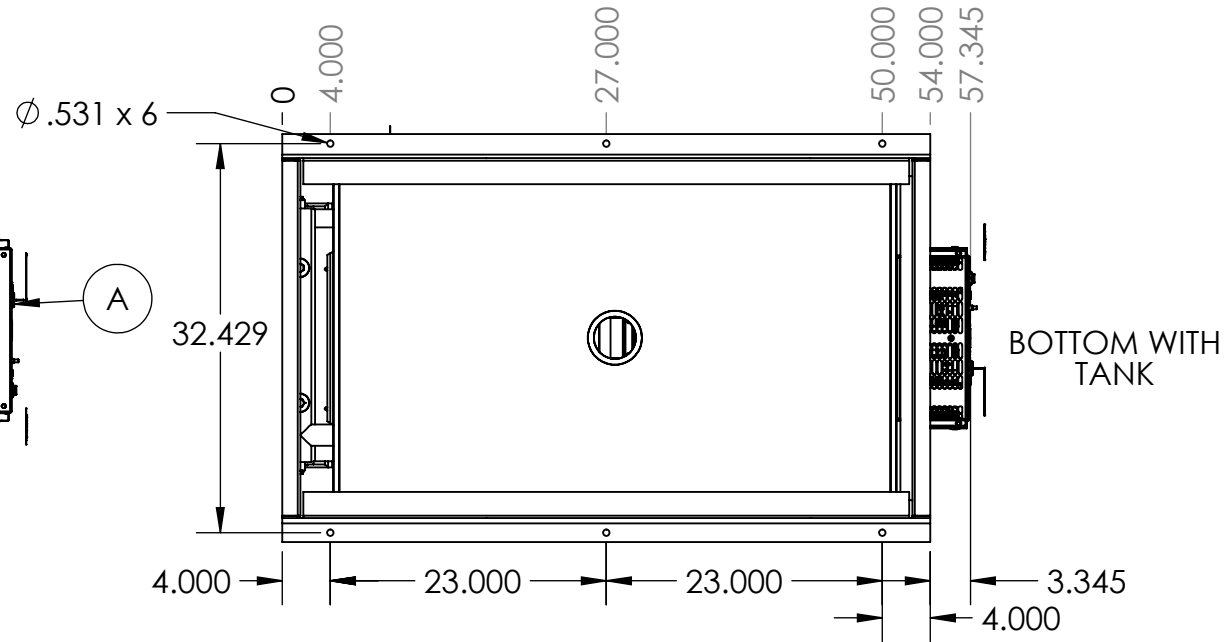
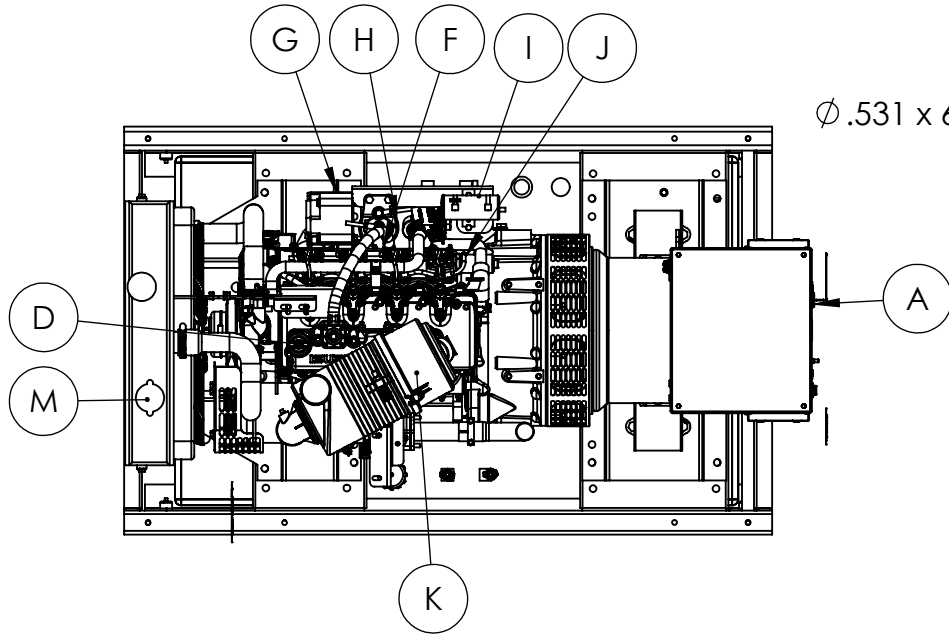
REVISION RECORD					
REV	ECO	DESCRIPTION	DATE	BY	APPR.
A	C2785	ORIGINAL	6/27/2015	DRC	SW
B	C4107	ADDED DIM FOR 54 GAL TANK	2/23/2017	SEW	DRC



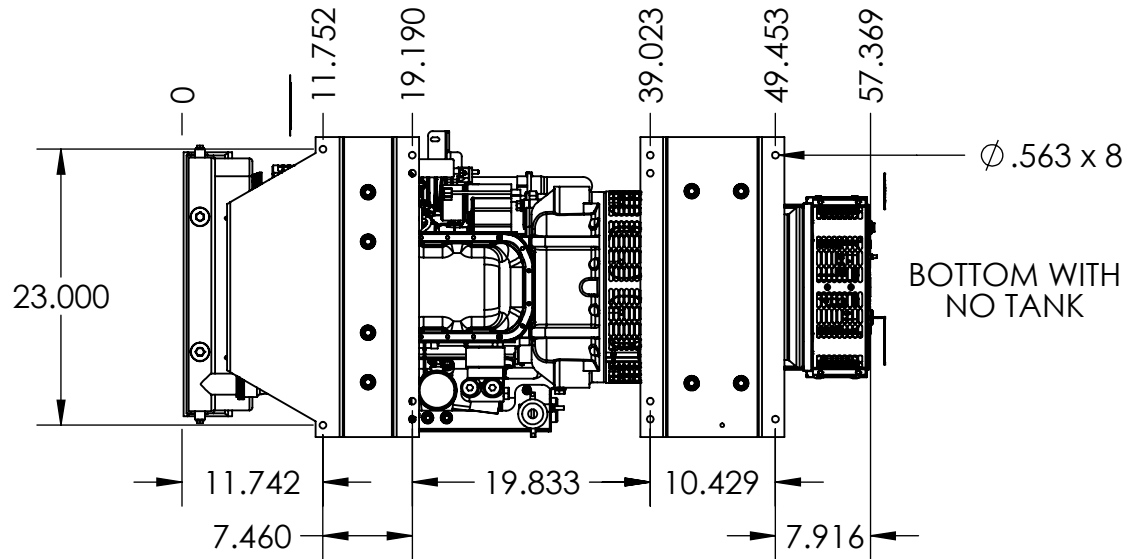
SHOWN WITHOUT
32 GALLON TANK



 THIS DRAWING CONTAINS PROPRIETARY INFORMATION BELONGING TO WINCO. UNAUTHORIZED USE IS PROHIBITED ALL DIMENSIONS INCH	DRAWN BY DRC	DATE 6/27/2015	CHK'D BY	DATE	ENG APPR. SW	DATE 7/7/2015
	TOLERANCE: +/- 0.0625 DECIMAL +/- 1 DEG ANGULAR	MODEL: DE30		TITLE: OUTLINE DRAWING DE30		
			PART: O-505		1 OF 2	



KEY COMPONENTS	
A	ENGINE CONTROL
B	MAIN LINE CIRCUIT BREAKER
C	START BATTERY (BELOW RADIATOR)
D	OIL FILL
E	OIL DRAIN (NOT SHOWN)
F	OIL DIPSTICK
G	OIL FILTER
H	FUEL FILTER
I	FUEL IN (5/16" FITTING)
J	FUEL RETURN (1/4" FITTING)
K	AIR FILTER
L	COOLANT DRAIN (NOT SHOWN)
M	COOLANT FILL



REVISION RECORD					
REV	ECO	DESCRIPTION	DATE	BY	APPR.
A	C2785	ORIGINAL	6/27/2015	DRC	SW
B	C4107	SEE SHT 1	2/23/2017	SEW	DRC

	DRAWN BY	DATE	CHK'D BY	DATE	ENG APPR.	DATE
	DRC	6/27/2015			SW	7/7/2015
THIS DRAWING CONTAINS PROPRIETARY INFORMATION BELONGING TO WINCO. UNAUTHORIZED USE IS PROHIBITED. ALL DIMENSIONS INCH	TOLERANCE:	+/- 0.0625 DECIMAL		TITLE: OUTLINE DRAWING DE30		
	MODEL:	DE30				
			PART:	O-505	2 OF 2	