

Features

Cast Iron Gear Case with Helical Gears

A 1000 RPM operating speed makes for effective operation.

Premium Square D Circuit Breakers

Square D is the industry leader in circuit breaker protection.

Voltmeter

A large 3" voltmeter helps you maintain proper output.

Protective PTO Shield

Safety is always a priority.

5-Wire Anderson Full Power Plug Included

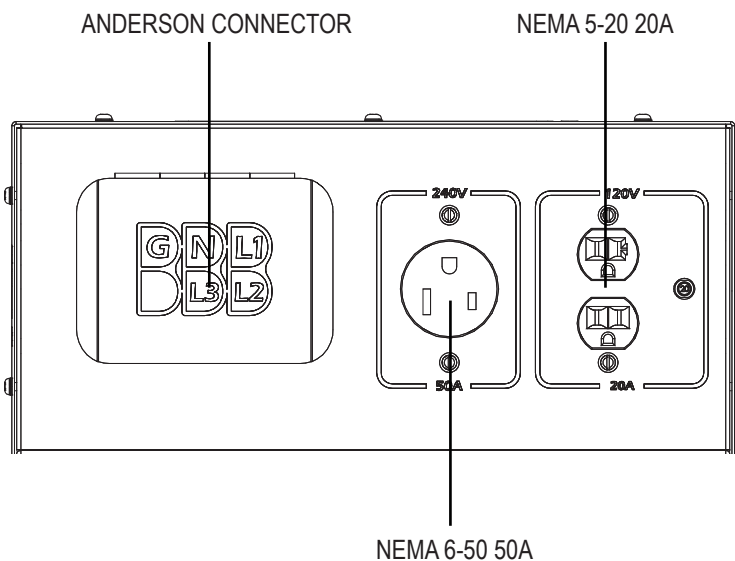
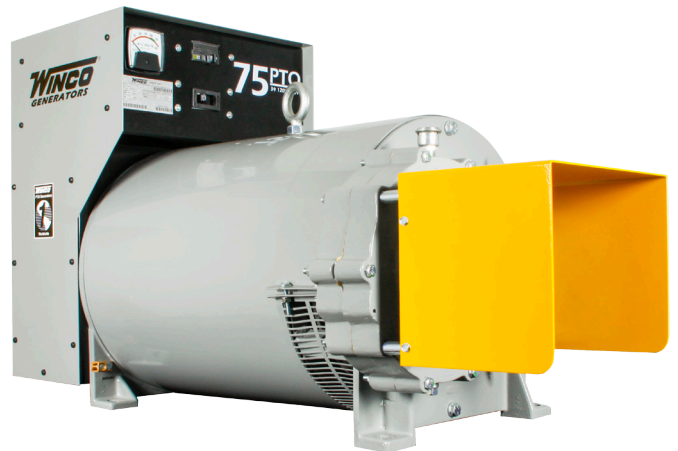
You supply the appropriate length of fine-stranded copper wire, we provide the plug.

100% Load Tested

You won't find statistical sampling here. We load test every generator before it leaves our facility.

POWER TAKE-OFF

75,000 Continuous Watts



Optional Accessories

PTO Drive Shaft

1 3/8" - 6 spline x 1 3/8" - 21 spline quick connect shaft. Designed to handle the horsepower ratings required.

Off-Road PTO Trailer

Our steel trailers are specifically designed to handle the torque of a running PTO generator.

Manual Transfer Switch

Set up your generator quickly and safely for restoring power to critical circuit breakers.

75PTOC-4

CONTINUOUS WATTS	75,000
AMPS ⁽¹⁾	208
OUTPUT	120/208 V
PHASE	THREE
PTO INPUT SPEED	1000 RPM
INPUT SHAFT SIZE	1 3/8" - 6 SPLINE
REQUIRED INPUT HP ⁽²⁾	150
MOTOR STARTING ⁽³⁾	40 HP
VOLTMETER	YES
MAIN CIRCUIT BREAKER	200 AMP
BONDED NEUTRAL	YES
GROUND LUG	YES
GEARCASE OIL	SAE 85W 90-140
GEARCASE OIL CAPACITY	1 PINT
LIFTING EYE	YES
WARRANTY ⁽⁴⁾	3 YRS

NOTES: (1) Unity (1.0) power factor (2) Required HP at PTO of tractor for full rated output. Each 2 HP of tractor power equals approximately 1 kW of electric power. (3) Code G capacitor start motor. (4) 3 year warranty for farm use only, other uses have a 1 year warranty. Please consult factory or authorized dealer for further information.

GENERATOR END

VOLTAGE REGULATION	+/- 5%
TOTAL HARMONIC DISTORTION	N/A
RATING	125° C
TYPE	4 POLE ROTATING FIELD
BRUSHED	YES
GENERATOR SPEED	1800 RPM
VOLTAGE CONTROL	BUCK BOOST TRANSFORMER
INSULATION	CLASS F

RECEPTACLES

120 VOLT RECEPTACLES	(1) NEMA 5-20 20A DUPLEX
240 VOLT RECEPTACLES	(1) NEMA 6-50 50A
120/240 VOLT ANDERSON	350 AMPS

SHIPPING

DIMENSIONS (LxWxH)	44" x 23" x 20"
NET WEIGHT	732 LBS
SHIPPING DIMENSIONS	49.5" x 28.5" x 28.25"
SHIP WEIGHT	742 LBS
FREIGHT CLASS	65

