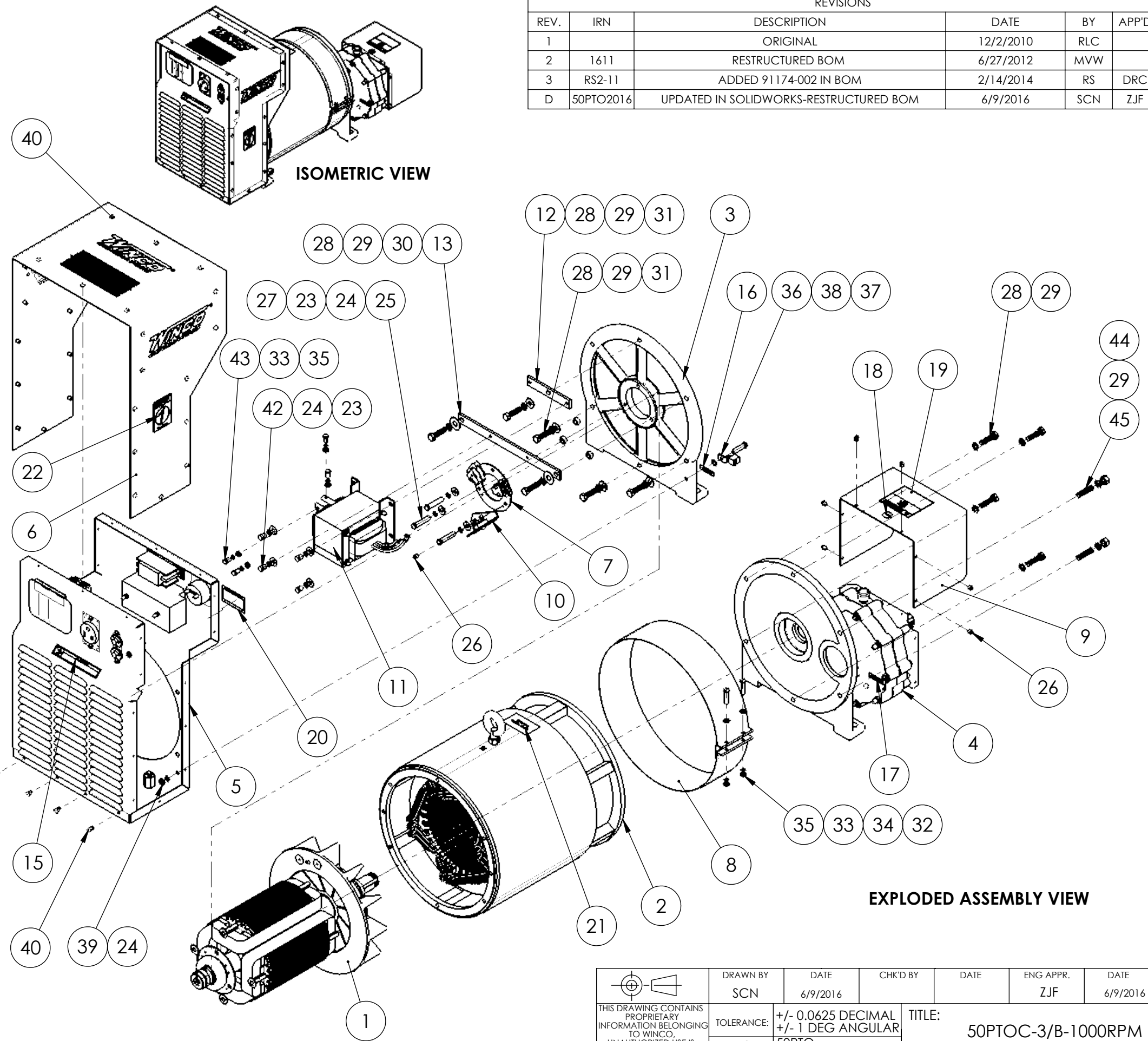


61211-041

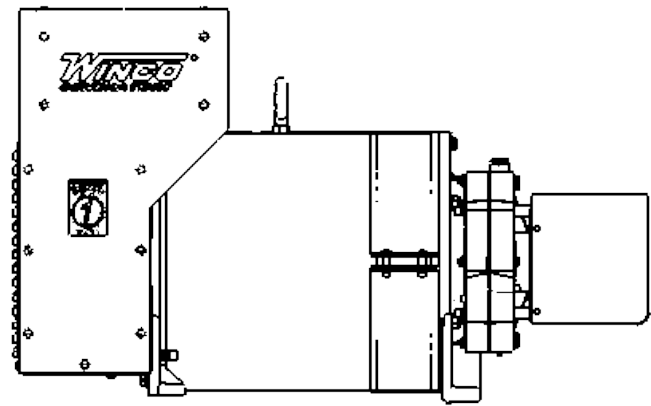
ITEM	PART NO.	DESCRIPTION	QTY.
1	99301-000	ROTOR ASSEMBLY 320F-750S	1
2	91148-029	STATOR ASSEMBLY 320F-800S	1
3	91212-000	MACHINED END BRACKET	1
4	91232-011	GEARCASE ASSEMBLY 1000RPM	1
5	61197-015	CONNECTION BOX ASSY	1
6	91174-002	COVER	1
7	91251-000	BRUSH HOLDER ASSEMBLY	1
8	91337-000	COVER FORMED	1
9	91171-000	SHIELD	1
10	91178-000	BRACKET ASSEMBLY	1
11	91397-002	TRANSFORMER ASSEMBLY	1
12	91400-000	STRAP-TRANSFORMER MNT	1
13	91436-000	STRAP-TRANSFORMER MNT	1
14	91861-003	PLUG KIT	1
15	15209-003	UL-DECAL ELECTRICAL SHOCK CAN KILL	1
16	15750-001	GROUND DECAL	1
17	16303-000	DECAL-OIL LEVEL	1
18	52077-000	DECAL-CAUTION OIL LEVEL	1
19	64515-000	DECAL- WARNING PTO	1
20	63966-007	KIT, NAMEPLATE WINCO PTO	1
21	91369-001	DECAL- 1000 RPM	1
22	98479-000	WINCO #1 WORLDWIDE DECAL	2
23	526-000	FLAT WASHER 5/16 3/8	7
24	480-000	LOCK .3125 SPLIT	8
25	91672-009	HHCS 5/16-18 X 2	3
26	53644-000	10-24 X 3/8 SELF TAPPING	7
27	21264-001	SPACER	3
28	91256-000	.4375-14X1.75 HHB	10
29	90570-000	LOCK WASHER 7/16 SPLIT	12
30	21867-000	FLAT WASHER	2
31	8472-000	FLAT WASHER 7/16 X 1" OD	4
32	639-000	RHMS 1/4-20 X 1.5	2
33	479-000	LOCK WASHER, .25" SPLIT	6
34	512-000	.25 WASHER	2
35	638-000	HEX NUT, .25IN	6
36	48043-000	TERMINAL GROUND	1
37	468-000	.3125-18X1.5 HHCS	1
38	240015009	LOCKWASHER 5/16" INTERNAL TOOTH	1
39	458-000	NUT HEX 5/16-18	1
40	21698-001	10-16 X .375 TORX SCREW	32
41	44791-000	TERMINAL CLOSED CONNECTOR	2
42	473-000	HHCS .3125-18 X .5 GR5 ZINC	4
43	476-000	.25-20X.625 HHB	4
44	81034-000	7/16 HEX NUT	2
45	91138-000	THREADED STUD 7/16-14X1.75	2
46	52126-082	LWA 12GA, WHITE	1
47	81582-015	LWA 2GA, BLACK	1
48	100046-504	CARTON 30-50 PTO 43 1/2X27 1/8X26	1
49	10047-122	CARTON 8 X 8 X 4	1
50	60706-198	OPERATOR'S MANUAL	1
51	100054-652	PARTS BAG	1

REVISIONS					
REV.	IRN	DESCRIPTION	DATE	BY	APP'D
1		ORIGINAL	12/2/2010	RLC	
2	1611	RESTRUCTURED BOM	6/27/2012	MVW	
3	RS2-11	ADDED 91174-002 IN BOM	2/14/2014	RS	DRC
D	50PTO2016	UPDATED IN SOLIDWORKS-RESTRUCTURED BOM	6/9/2016	SCN	ZJF

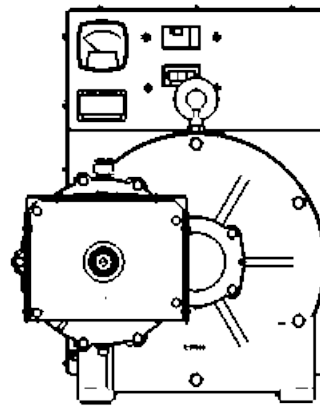


<p>THIS DRAWING CONTAINS PROPRIETARY INFORMATION BELONGING TO WINCO. UNAUTHORIZED USE IS PROHIBITED.</p> <p>ALL DIMENSIONS INCH</p>	DRAWN BY	DATE	CHK'D BY	DATE	ENG APPR.	DATE
	SCN	6/9/2016			ZJF	6/9/2016
	TOLERANCE:	+/- 0.0625 DECIMAL		TITLE:		
MODEL:	50PTO		50PTOC-3/B-1000RPM			
PART:			61211-041		1 of 2	

61211-041

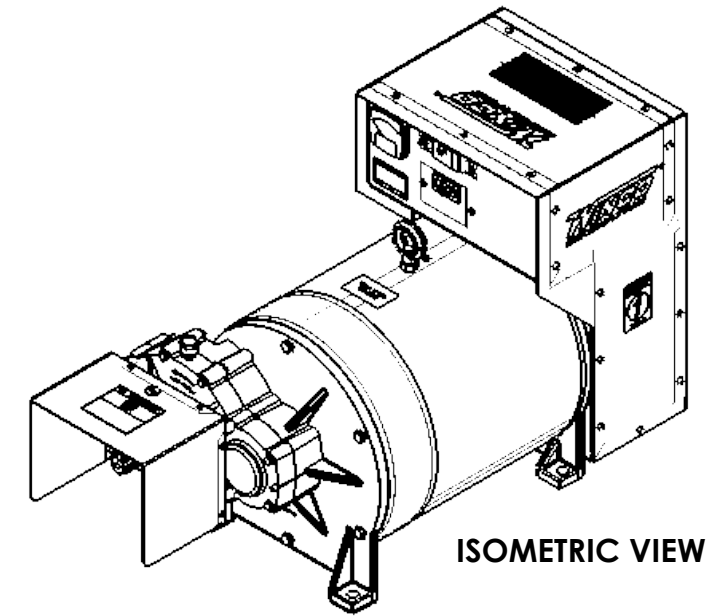


LEFT SIDE VIEW

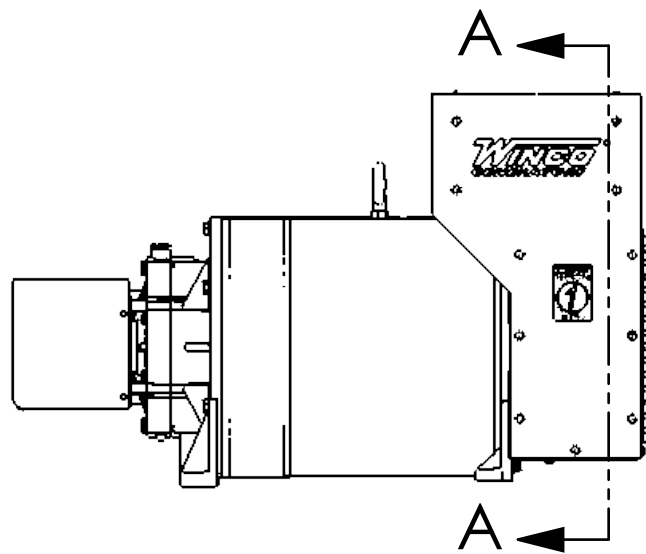


FRONT VIEW

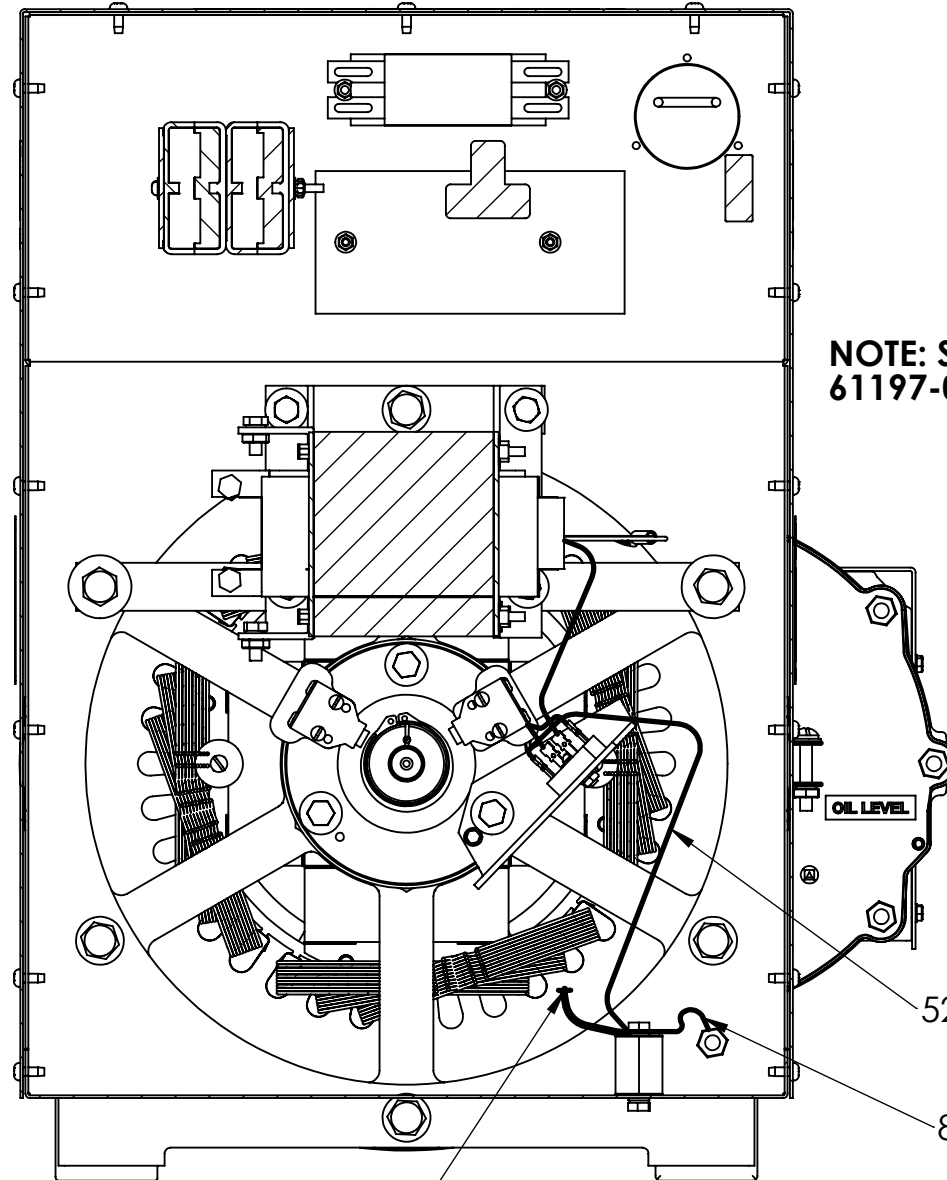
REVISIONS					
REV.	IRN	DESCRIPTION	DATE	BY	APP'D
1		ORIGINAL	12/2/2010	RLC	
2	1611	RESTRUCTURED BOM	6/27/2012	MVW	
3	RS2-11	ADDED 91174-002 IN BOM	2/14/2014	RS	
D	50PTO2016	UPDATED IN SOLIDWORKS; RESTRUCTURED BOM	6/9/2016	SCN	ZJF



ISOMETRIC VIEW



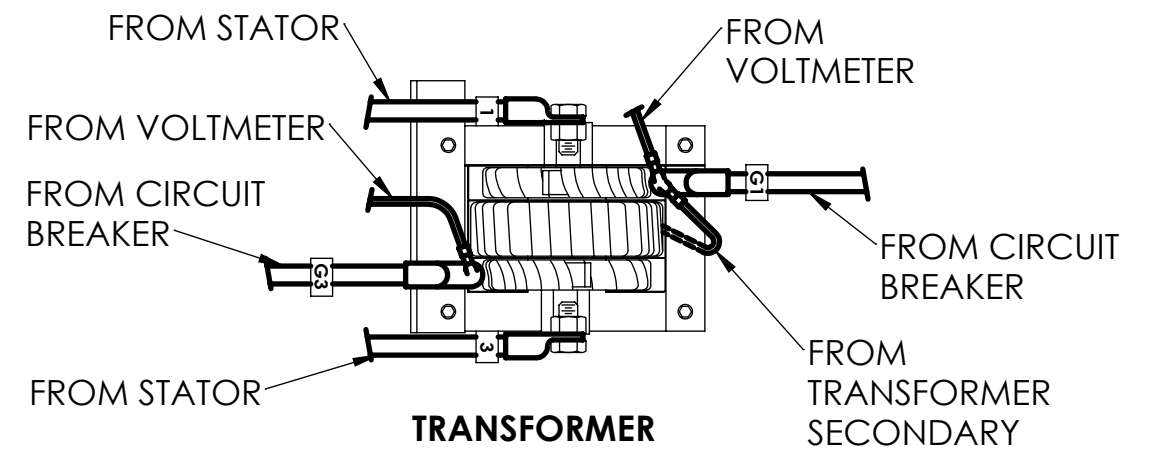
RIGHT SIDE VIEW



FROM GENERATOR

SECTION A-A

NOTE: SEE CONNECTION BOX ASSEMBLY 61197-015 PRINT FOR WIRING DETAILS



52126-082 LWA 12GA WHITE WIRE GROUP

81582-015 LWA 2GA BLACK WIRE GROUP

<p>THIS DRAWING CONTAINS PROPRIETARY INFORMATION BELONGING TO WINCO. UNAUTHORIZED USE IS PROHIBITED.</p> <p>ALL DIMENSIONS INCH</p>	DRAWN BY	DATE	CHK'D BY	DATE	ENG APPR.	DATE
	SCN	6/9/2016			ZJF	6/9/2016
	TOLERANCE:	+/- 0.0625 DECIMAL		TITLE:		
	MODEL:	+/- 1 DEG ANGULAR		50PTOC-3/B-1000RPM		
	WINCO®		PART:	61211-041	2 of 2	