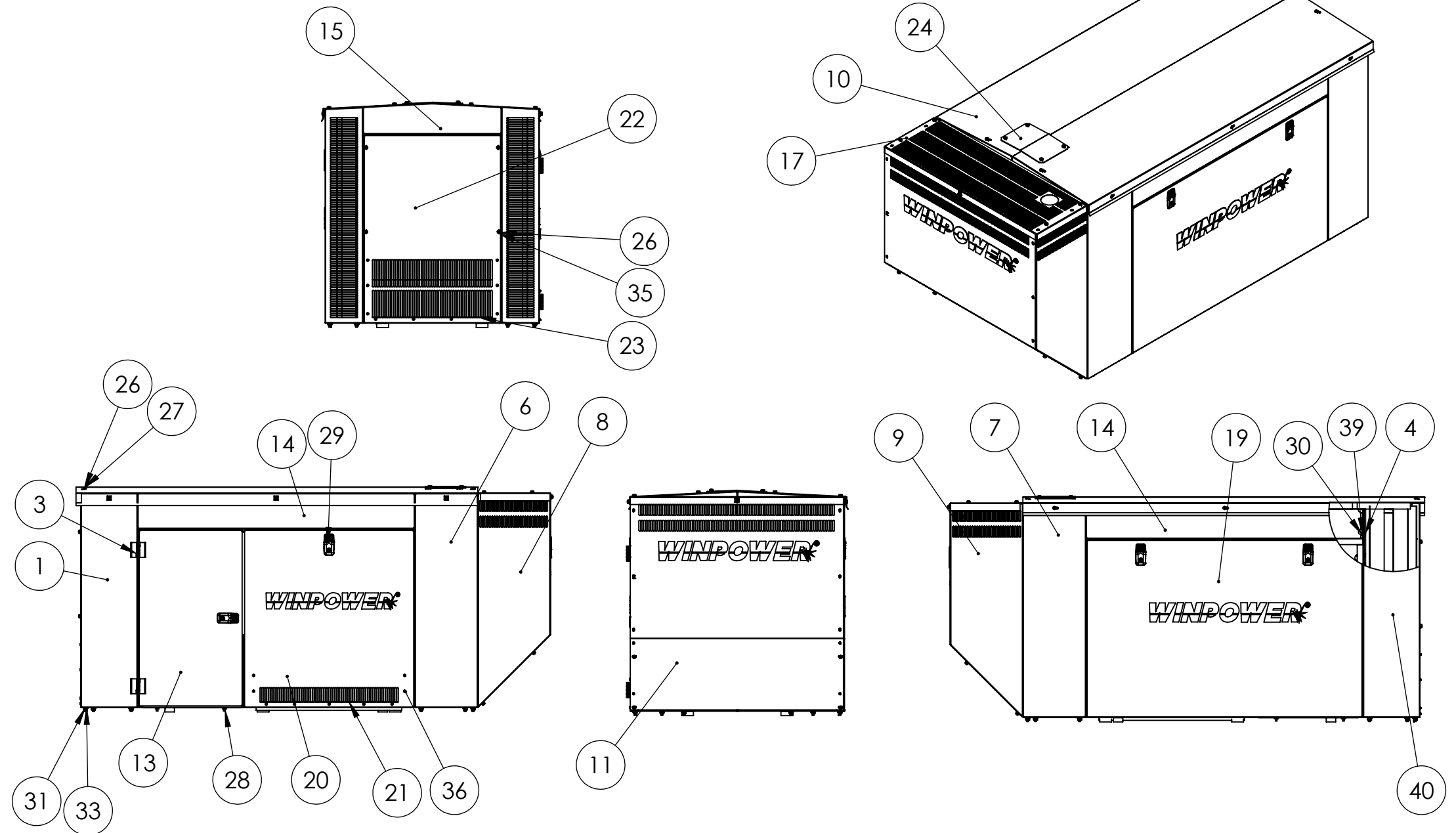



474020-301

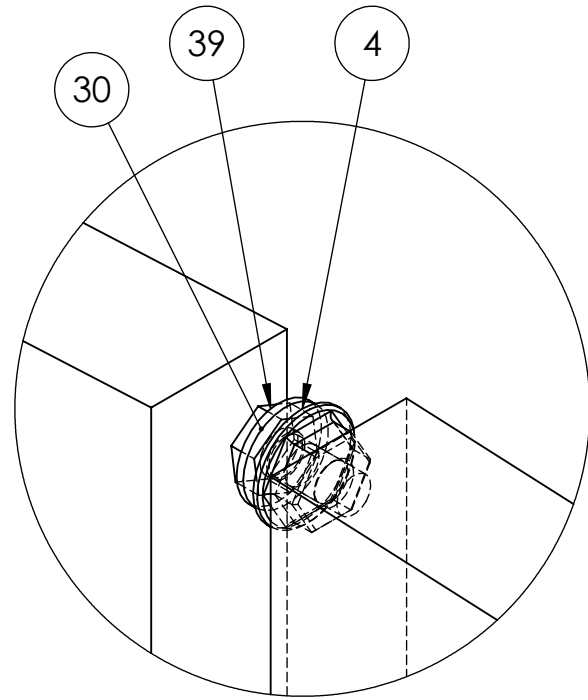
REVISIONS					
REV.	IRN	DESCRIPTION	DATE	BY	APP'D
A	C2852	ORIGINAL	6/30/2015	RS	DRC
B	6672	ADDED REAR CENTER PANEL FOAM	1/31/17	MML	DRC

ITEM NO.	PART NUMBER	DESCRIPTION	QTY.
1	352308-011	RIGHT REAR CORNER	1
2	16446-000	M8-1.25 NYLOCK	8
3	350054-5	HINGE BLACK	2
4	16248-000	.25-20 FLANGE NUT	22
5	92495-000	.25-20 TINNEMAN	37
6	352308-004	FRONT RIGHT CORNER	1
7	352308-005	FRONT LEFT CORNER	1
8	352308-002	FRONT RIGHT SNORKEL	1
9	352308-003	FRONT LEFT SNORKEL	1
10	352308-063	ROOF	1
11	352308-064	SNORKEL FRONT	1
12	352308-009	DOOR STOP	1
13	352308-018	DOOR	1
14	352308-010	SIDE SILL	2
15	352308-065	REAR TOP	1
16	352308-015	REAR BAFFLE	3
17	352308-016	SNORKEL TOP	1
18	352308-017	REAR LEFT BAFFLE	1
19	352308-007	LEFT SIDE PANEL	1
20	352308-006	RIGHT SIDE PANEL	1
21	352308-020	RIGHT DOOR BAFFLE	1
22	352308-062	REAR PANEL WITH BAFFLE	1
23	352308-019	REAR BOTTOM BAFFLE	1
24	489020-002	RADIATOR FILL CAP DR20	1
25	65005-000	.25 WASHER SS	39
26	65003-000	SS LOCK WASHER ID.25 OD.475 TH.07	39
27	65000-001	.25-20X.75 SS HHCS	35
28	94980-001	THREAD STUD .25-20X.625	6
29	95229-004	LATCH LIFT AND TURN	4
30	463-000	HEX BOLT .25-20X.50	16
31	16249-000	.3125-18 FLANGE	14
32	526-000	5/16 FLAT WASHER	12
33	467-000	HHCS 5/16-18X.75	12
34	492020-100	FOAM KIT SPRINT UNIT	1
35	466-001	.25-20X 1.75 HHB	4
36	21698-001	10-16X.372 TORX SCREW BLACK	19
37	62912-001	FOAM STRIP	17.95 FT
38	92421-001	FOAM STRIP	5.58 FT
39	512-000	.25 WASHER	16
40	352308-012	LEFT REAR CORNER	1
41	352303-61	REAR PANEL FOAM	1

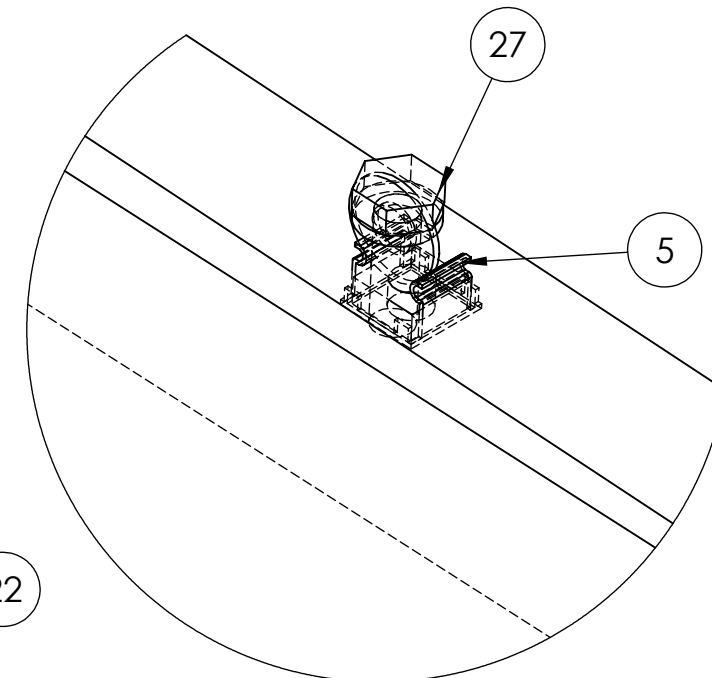
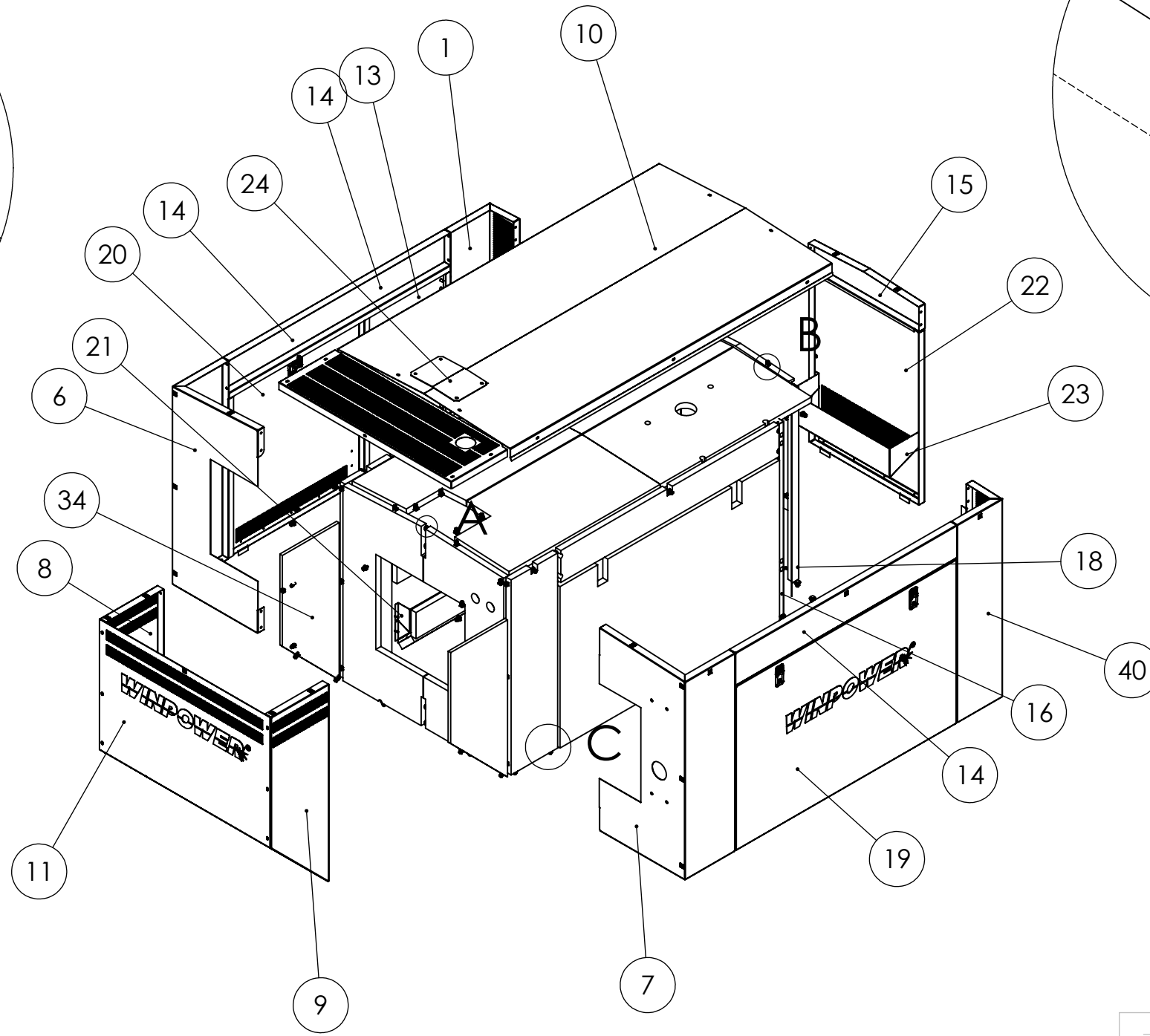


 THIS DRAWING CONTAINS PROPRIETARY INFORMATION BELONGING TO WINCO. UNAUTHORIZED USE IS PROHIBITED. ALL DIMENSIONS INCH	DRAWN BY	DATE	CHK'D BY	DATE	ENG APPR.	DATE
	RS	6/30/2015			DRC	7/7/2015
	TOLERANCE:	+/- 0.0625 DECIMAL		TITLE: HOUSING ASSEMBLY		
	MODEL:	DR20		PART: 474020-301 1 of 2		

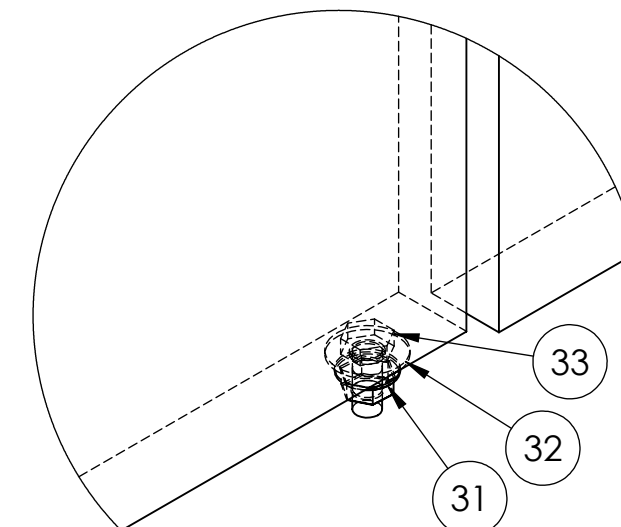
REVISIONS					
REV.	IRN	DESCRIPTION	DATE	BY	APP'D
A	CASE2852	See Sheet 1	6/30/2015	RS	DRC
B	6672	SEE SHEET 1	1/31/17	MML	DRC




DETAIL A
SCALE 1 : 1



DETAIL B
SCALE 1 : 1



DETAIL C
SCALE 1 : 2

 THIS DRAWING CONTAINS PROPRIETARY INFORMATION BELONGING TO WINCO. UNAUTHORIZED USE IS PROHIBITED.	DRAWN BY	DATE	CHK'D BY	DATE	ENG APPR.	DATE
	RS	6/30/2015			DRC	7/7/2015
	TOLERANCE:	+/- 0.25" (UNLESS SPECIFIED)		TITLE:		
	WEIGHT:	253.03	LBS	HOUSING ASSEMBLY		
MATERIAL:	SEE TABLE		PART: 474020-301			
MODEL:	DR20		SHT 2			
