

IP23 Covers

EG43 Varnish

## An American Company

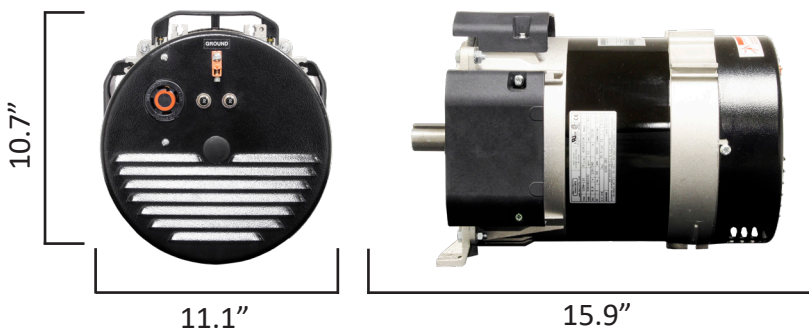
We produce our products in our 200,000ft<sup>2</sup> facility located in Le Center, Minnesota, equipped with modern engineering, fabrication and assembly capabilities.



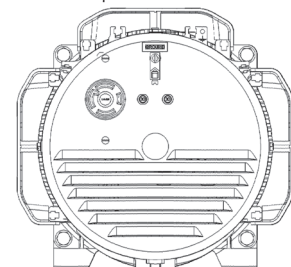
## Specifications

WATTS	7200
AMPS	60/30
VOLTS	120/240
ROTOR SPEED	3600 RPM
MOTOR STARTING	3.5 HP
BRUSHLESS	YES
SHAFT DIAMETER	1.102"
SHAFT KEY WAY	0.315" X 1.811"
CIRCUIT BREAKER	30 AMP
240V RECEPTACLES	(1) NEMA L14-30R
WATER RESISTANCE	IP23 COVERS
INSULATION PROTECTION	EG43 VARNISH
CERTIFICATION	UL1004 LISTED
NET WEIGHT	75 LBS
SHIPPING DIMENSIONS	20" x 12" x 12"
SHIPPING WEIGHT	78 LBS
WARRANTY <sup>(1)</sup>	1 YR

NOTES (1) For more generator warranty, see operator's manual.



## Receptacle Panel



Specifications are subject to change without notice.