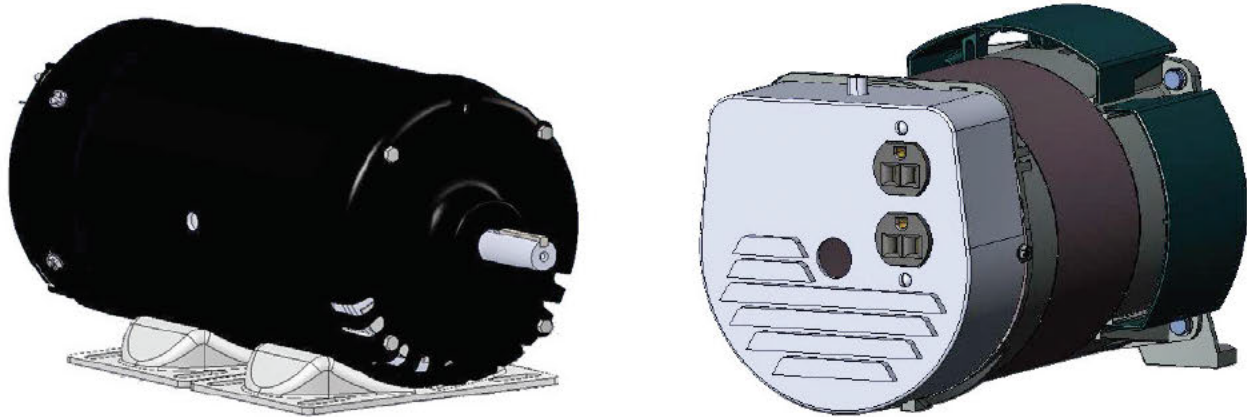


WINCO[®] GENERATORS

INTRODUCING THE NEW TB2400

Compare with our 2FS2MP and see how the TB2400 could be a better solution for your needs.



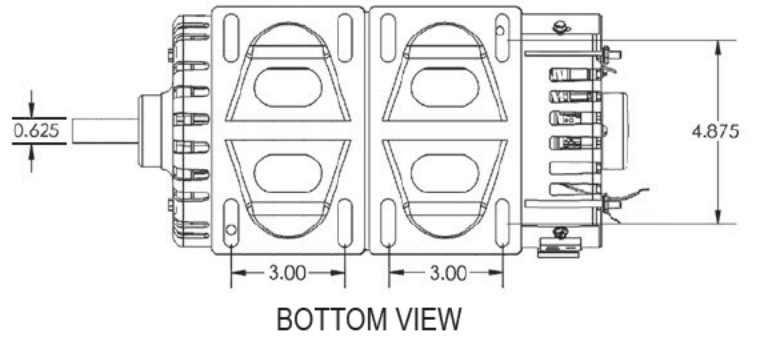
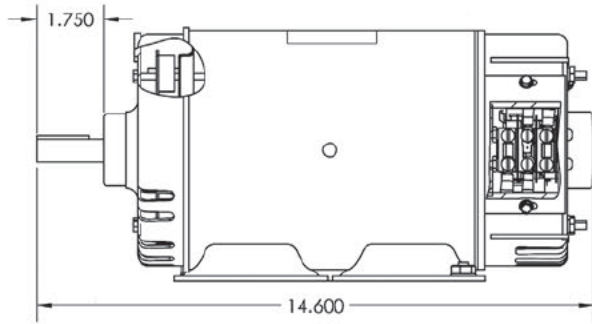
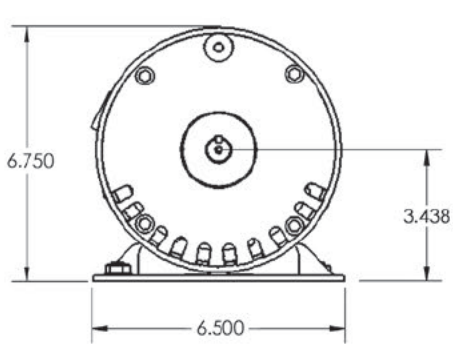
2FS2MP		TB2400
No	Brushless Design	Yes
A	Insulation	H
None	Insulation Protection	EG43 Varnish*
None	Water Resistance	IP 23 Covers**
5-20 20A	Receptacles	5-20 20A
14.6" x 6.4" x 7"	Dimensions	13.5" x 8.1" x 7.6"

*EG43 Varnish is a water and oil proof insulating enamel, providing moisture and chemical protection.

**IP23 Covers protect from spraying water and objects larger than 0.5".

OUTLINE DRAWINGS

2FS2MP



TB2400

