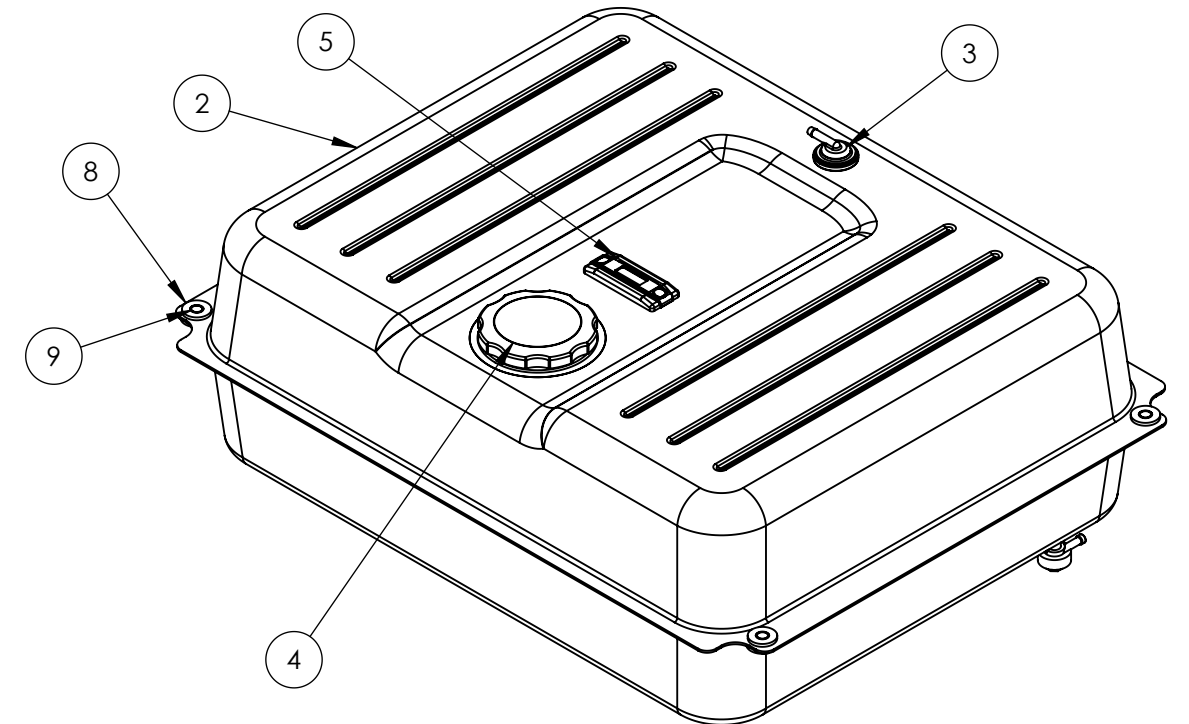
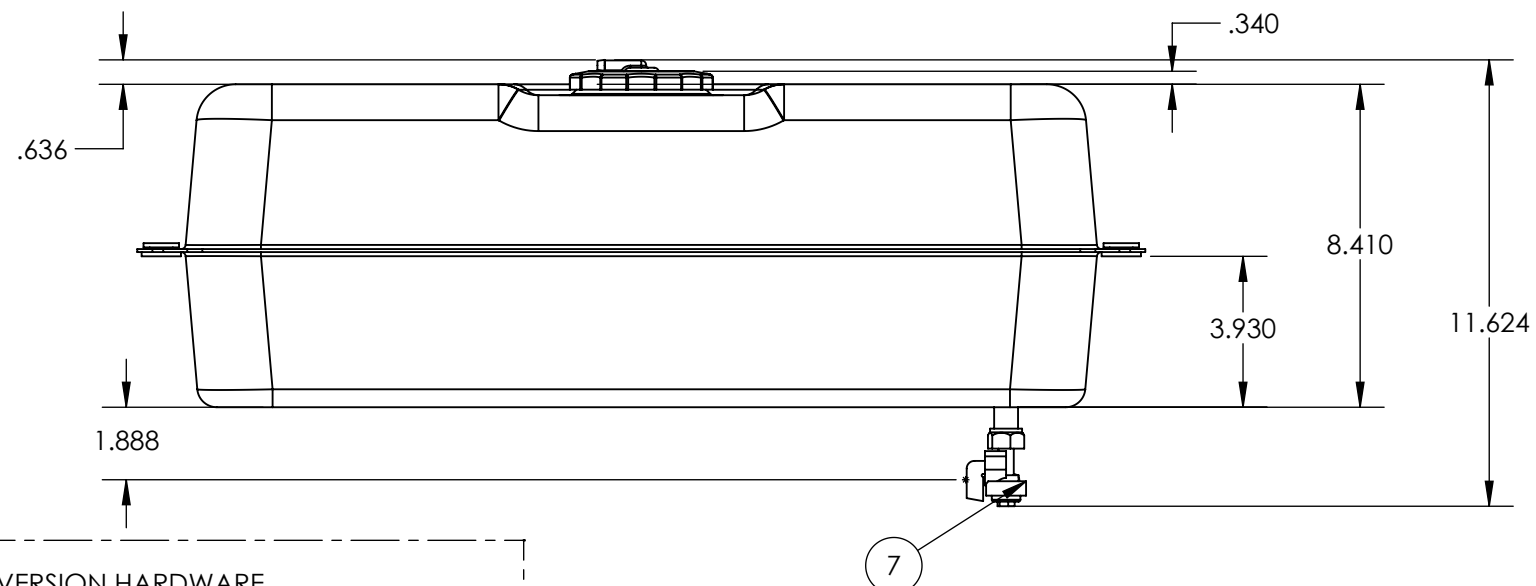
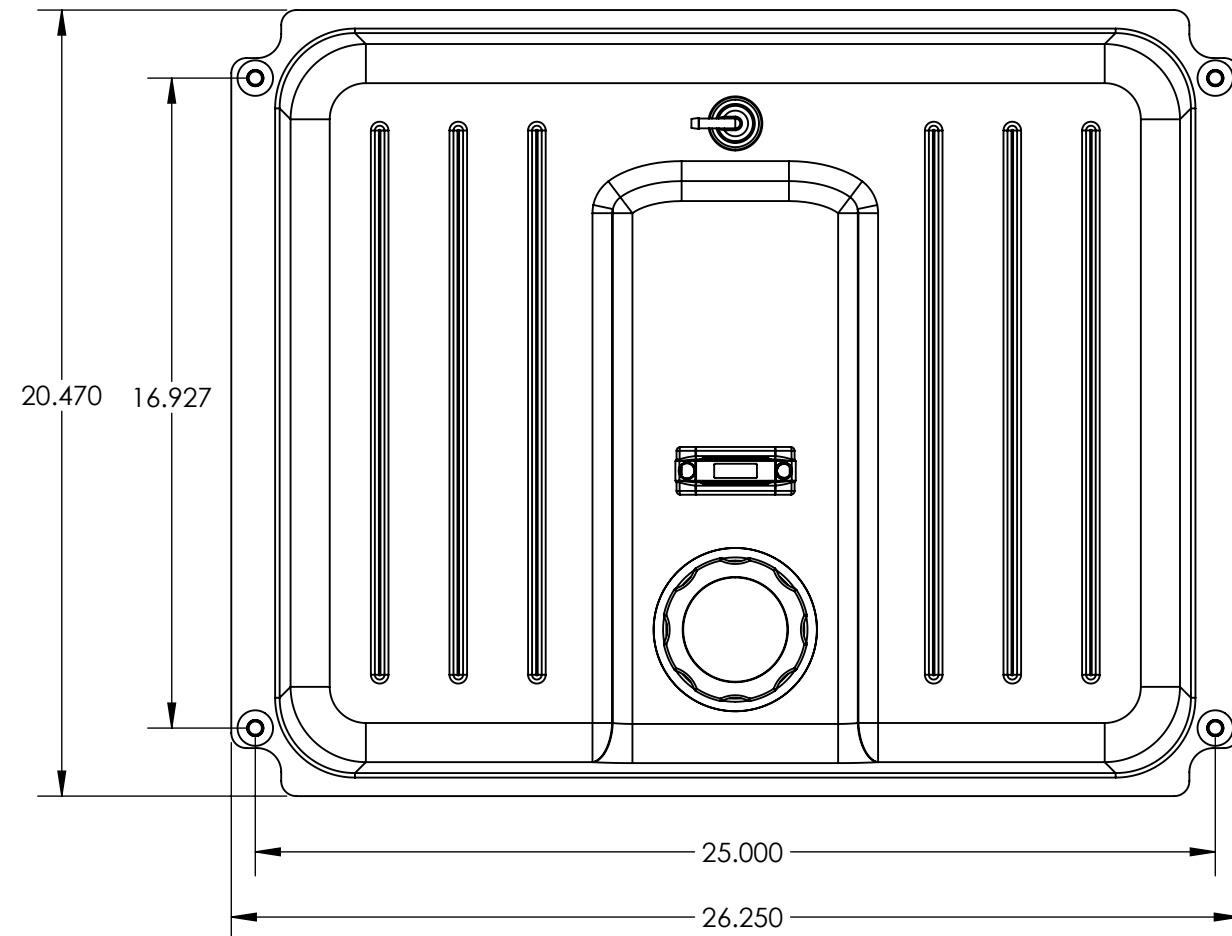
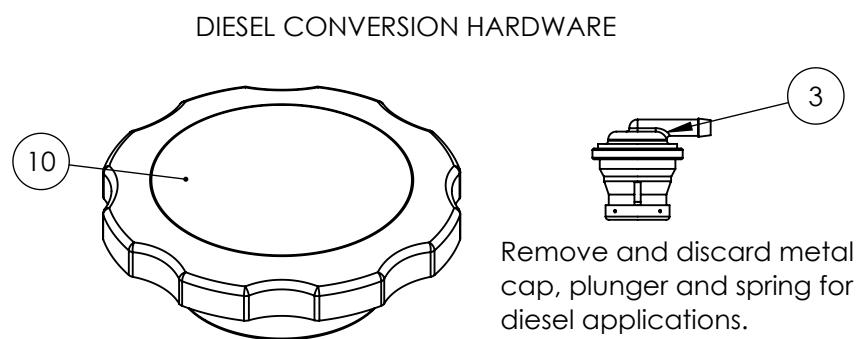


64024-014



ITEM NO.	Supplier PartNo	WINCO PART NO	DESCRIPTION	QTY
GASOLINE				
1	3048	61273-262	TOUCH UP PAINT, BLACK 3048	-
2	TCLME 15-GALLON	64024-014	FUEL TANK 15 GAL. STEEL GASOLINE	1
3	ABO-0116	80903-002	SLOSH VALVE 1/4" HOSE	1
4	64024-401	64024-401	FUEL CAP, SEALED, AUDIBLE, TETHERED	1
5	64024-407	64024-407	FUEL LEVEL GAUGE, 180MM	1
6	64024-403	64024-403	FUEL FILL FILTER	1
7	64024-404		168B FUEL CONTROL VALVE	1
8	64024-406	64024-406	RUBBER BUSHING	4
9	LD-PL005B	64024-405	ANTI-CRUSH INSERT	4
DIESEL				
10	LD-C001	64024-410	FUEL CAP, VENTED, AUDIBLE	1
13	80903-002		SLOSH VALVE 1/4" HOSE	1

USABLE GALLONS: 16.11 GAL



REVISION RECORD					
ISSUE	IRN	DESCRIPTION	DATE	BY	APPR.
A		ORIGINAL	7/3/2013	MVW	MVW
B		UPDATED CALL OUTS, DIESEL INSTRUCTIONS	10/4/2013	DRC	DRC
C	5376	ADDED USABLE GALLONS NOTE	8/5/2016	ZJF	ZJF
D		REPLACED 64024-408 WITH 64024-410	1/17/2018	SJM	DRD

UNLESS OTHERWISE SPECIFIED

FRACTIONS 1 PLACE DEC. .1 2 PLACE DEC. .015 3 PLACE DEC. .005	ANGULAR 1.5	MACHINED SURFACE TEXTURE	ALL DIMENSIONS GIVEN IN INCHES WORK TO DIMENSIONS FLAT OUTSIDE VIEW SHOWN UNLESS NOTED -DO NOT SCALE-				
	DRAWN BY MVW	DATE 7/8/2013	CHK'D BY	DATE	ENG APPR. MVW	DATE 7/8/2013	SCALE
THIS DRAWING CONTAINS PROPRIETARY INFORMATION BELONGING TO WINCO. UNAUTHORIZED USE IS PROHIBITED	MATERIAL:						
	FINISH:						
	ASSY:						
	MODEL:						
WINCO ®		TITLE: FUEL TANK 15 GAL. STEEL GASOLINE					
		PART NO. 64024-014					