

WINCO[®] GENERATORS

An American Company

We produce our products in our 200,000ft² facility located in Le Center, Minnesota, equipped with modern engineering, fabrication and assembly capabilities.



Cast-Iron Gearcase

Our own WINCO gearcases have proven their strength and durability for over 60 years and will keep doing so into the future.

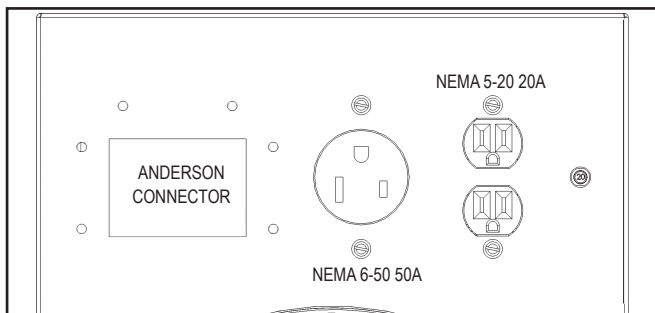


Frequency Meter

Large, 3/12" hertz meter ensures the proper output is reached.



Receptacle Panel



480V & 600V have Anderson connector only

27PTOC4

27,600 WATTS

30PTOC4

31,600 WATTS

35PTOC4

36,000 WATTS

Rugged Design



Brushless Industrial Genend



SPECIFICATIONS

ELECTRICAL

MODEL NUMBER	VOLTS	STANDBY (150/40C)			CONTINUOUS (105/40C)			CIRCUIT BREAKER	INPUT HP ⁽¹⁾	MOTOR STARTING ⁽²⁾
		WATTS	AMPS 1.0 PF	AMPS 0.8 PF	WATTS	AMPS 1.0 PF	AMPS 0.8PF			
27PTOC4-03	120/240 1-PH	27,600	115	N/A	23,500	98	N/A	125	54	10 HP
30PTOC4-04	120/208 3-PH	31,600	87	109	26,900	71	102	100	63	11 HP
30PTOC4-17	120/240 3-PH	31,600	76	94	26,900	71	88	100	63	11 HP
35PTOC4-18	277/480 3-PH	36,000	43	54	30,600	36	46	50	72	12 HP
35PTOC4-21	346/600 3-PH	36,000	34	43	30,600	29	36	50	72	12 HP

NOTES: (1) Required HP at PTO of tractor for full rated power. Each 2 HP equals approximately 1kW of electric power. (2) Code G capacitor motor.

27-35PTO

PTO INPUT SPEED	540 RPM 1000 RPM
INPUT SHAFT SIZE	1 3/8" 6-SPLINE
FREQUENCY METER	STANDARD
NEUTRAL BONDED	YES
GROUND LUG	YES
GEARCASE OIL	SAE 85W-90-140 - 1 PINT

SHIPPING

SHIPPING DIMENSIONS (L x W x H)	46" x 29" x 28"
SHIPPING WEIGHT	
SINGLE PHASE	476 LBS
THREE PHASE	570 LBS
FREIGHT CLASS	65

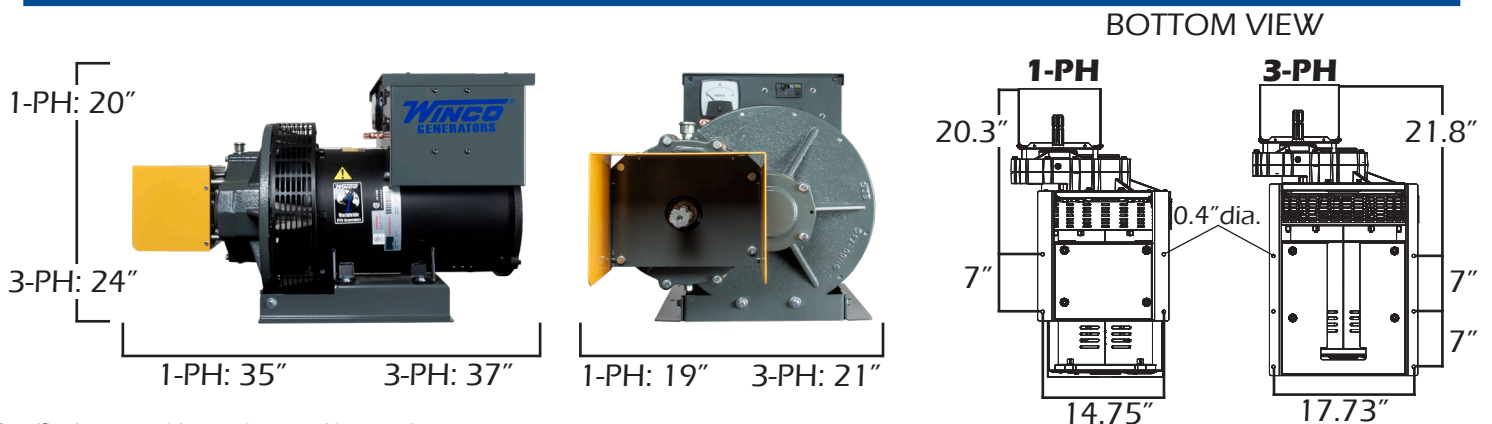
OPTIONAL ACCESSORIES

PTO TRAILER	TDM80
PTO DRIVE SHAFT	
540 RPM	1 3/8" 6-SPLINE
1000 RPM	1 3/8" 21-SPLINE
THREE POINT-HITCH KIT	TPH260
TRANSFER SWITCH	VARIOUS

GEN END

SINGLE PHASE ⁽¹⁾	4 LEAD
WINDING NUMBER	706
THREE PHASE	12 LEAD
WINDING NUMBER	711
AVR	AS540 - AUX WINDING
VOLTAGE REGULATION	+/- 1%
TOTAL HARMONIC DISTORTION	< 5%
GENERATOR SPEED	1800 RPM
STATOR WINDING	DOUBLE LAYER CONCENTRIC
ROTOR	2/3 PITCH
TELEPHONE INTERFERENCE	
SINGLE PHASE	TIF < 75
THREE PHASE	TIF < 50
INSULATION	CLASS H
120 VOLT RECEPTACLES ⁽¹⁾	(2) NEMA 5-20 20A
240 VOLT RECEPTACLES ⁽¹⁾	(1) NEMA 6-50 50A
FULL POWER ANDERSON RECEPTACLE	175 AMPS
FULL POWER ANDERSON PLUG	INCLUDED
UNIT WARRANTY ⁽²⁾	3 YEARS

NOTES: (1) 480V & 600V have Anderson receptacle only. (2) For more generator warranty, see operator's manual.



Specifications are subject to change without notice.

