

WINCO[®] GENERATORS

 An American Company.
We produce our products in our 200,000ft² facility located in Le Center, Minnesota, equipped with modern engineering, fabrication and assembly capabilities.



Cast-Iron Gearcase

Our own WINCO gearcases have proven their strength and durability for over 60 years and will keep doing so into the future.

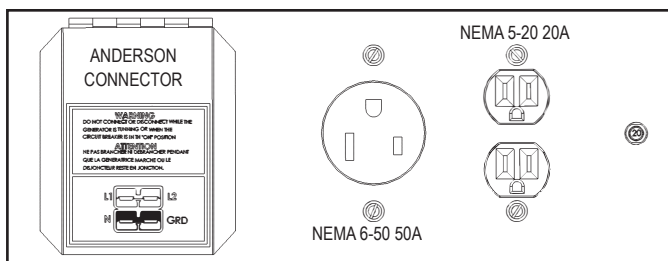


Frequency Meter

Large, 3/12" hertz meter ensures the proper output is reached.



Receptacle Panel



480V & 600V have Anderson connector only

50PTOC4

50,000 WATTS

55PTOC4

55,000 WATTS

Rugged Design.



Brushless Industrial Gen End.



SPECIFICATIONS

ELECTRICAL

MODEL NUMBER	VOLTS	STANDBY (150/40C)			CONTINUOUS (125/40C)			CIRCUIT BREAKER	INPUT HP ⁽¹⁾	MOTOR STARTING ⁽²⁾
		WATTS	AMPS 1.0 PF	AMPS 0.8 PF	WATTS	AMPS 1.0 PF	AMPS 0.8 PF			
50PTOC4-03	120/240 1-PH	50,000	208	N/A	40,000	166	N/A	200A	100	20 HP
50PTOC4-04	120/208 3-PH	50,000	138	173	42,000	116	145	175A	100	22.5 HP
50PTOC4-17	120/240 3-PH	50,000	120	150	42,000	101	126	175A	100	22.5 HP
55PTOC4-18	277/480 3-PH	55,000	66	82	46,400	55	69	75AA	110	25 HP
55PTOC4-21	346/600 3-PH	55,000	52	66	46,400	44	55	75A	110	25 HP

NOTES: (1) Required HP at PTO of tractor for full rated power. Each 2 HP equals approximately 1kW of electric power. (2) Code G capacitor motor.

50-55PTO

PTO INPUT SPEED	540 RPM 1000 RPM
INPUT SHAFT SIZE	1 3/8" 6-SPLINE
FREQUENCY METER	STANDARD
NEUTRAL BONDED	YES
GROUND LUG	YES
GEARCASE OIL	SAE 85W-90-140 - 0.88 PINT

SHIPPING

SHIPPING DIMENSIONS (L x W x H)	46" x 29" x 28"
SHIPPING WEIGHT	745 LBS
FREIGHT CLASS	65

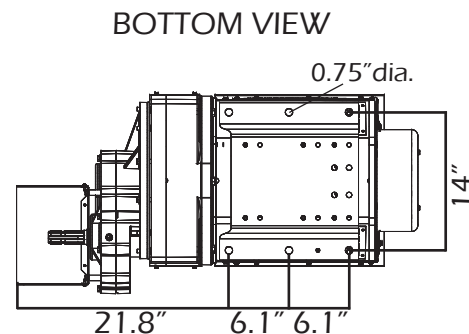
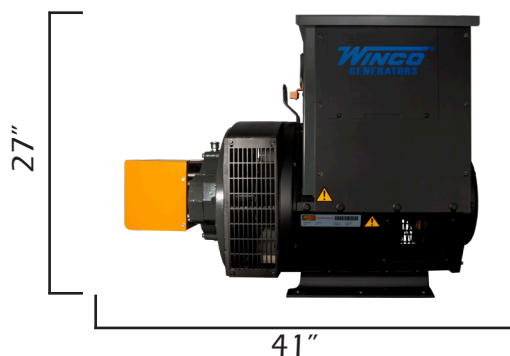
OPTIONAL ACCESSORIES

PTO TRAILER	TDM80
PTO DRIVE SHAFT	1 3/8" 6-SPLINE
THREE POINT-HITCH KIT	TPH260
GEARCASE UPGRADE	1000 RPM
TRANSFER SWITCH	VARIOUS

GEN END

SINGLE PHASE ⁽¹⁾ WINDING NUMBER	4 LEAD 06
THREE PHASE WINDING NUMBER	12 LEAD 311
AVR	AS440
VOLTAGE REGULATION	+/- 1%
TOTAL HARMONIC DISTORTION	< 5%
GENERATOR SPEED	1800 RPM
STATOR WINDING SINGLE PHASE THREE PHASE	SINGLE LAYER CONCENTRIC DOUBLE LAYER CONCENTRIC
ROTOR	2/3 PITCH
TELEPHONE INTERFERENCE	TIF < 50
INSULATION PROTECTION	CLASS H IP23
BRUSHLESS	YES
EFFICIENCY	SINGLE PHASE 0.1 PF 84.9 THREE PHASE 0.8 PF 89.2
120 VOLT RECEPTACLES ⁽²⁾	(2) NEMA 5-20 20A
240 VOLT RECEPTACLES ⁽²⁾	(1) NEMA 6-50 50A
FULL POWER ANDERSON SINGLE PHASE THREE PHASE	350 AMPS 175 AMPS
UNIT WARRANTY ⁽³⁾	3 YEARS

NOTES: (1) Unity (1.0) power factor (2) 480V and 600V have Anderson receptacles only. (3) For more generator warranty, see operator's manual.



Specifications are subject to change without notice.

