

# WINCO<sup>®</sup> GENERATORS



## An American Company

We produce our products in our 200,000ft<sup>2</sup> facility located in Le Center, Minnesota, equipped with modern engineering, fabrication and assembly capabilities.



## 2.2L Engine

An eco-friendly engine that provides the reliability and dependability you expect from Isuzu

## Cummins Industrial Genend

With automatic voltage regulation

## Electronic Common Rail

Excellent frequency control and load pick-up

## Radiator Ducting

Makes your installation easier and helps reduce air recirculation

## Fork Pockets

Convenient fork pockets integrated into the unit, giving you the ability to lift from all directions

## Battery Charger

Smart trickle battery charger standard

## DSE7310 Controller

Digital controller allows for remote start, engine code reader, with advanced metering, safeties and shutdowns to protect your investment

# DE2314

GENERATION 4  
23,000 WATTS

## Rugged Design

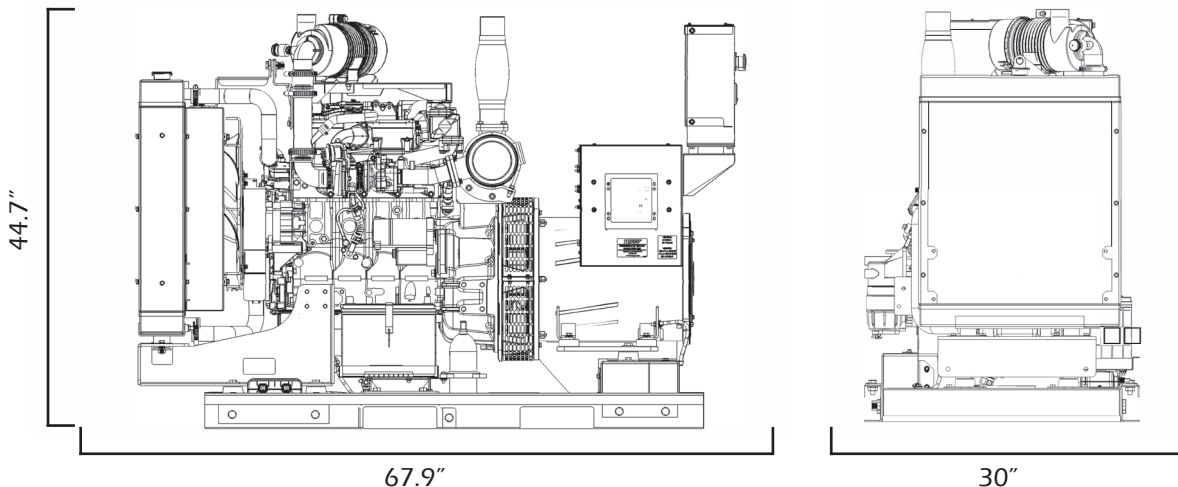


## New Isuzu Tier IV Engine

With DOC

✓ NO Urea

✓ NO Shutdowns for regens



# SPECIFICATIONS

## ELECTRICAL

VOLTS	POWER FACTOR	STANDBY			PRIME			RECOMMENDED CB <sup>(1)</sup>
		WATTS	KVA	AMPS	WATTS	KVA	AMPS	
120/240 1-PH	1.0	22,000	22	91	19,800	19.8	82	90-100
120/208 3-PH	0.8	23,000	28.75	79	20,700	25.875	71	80-100
120/240 3-PH	0.8	23,000	28.75	69	20,700	25.875	62	70-80
277/480 3-PH	0.8	23,000	28.75	34	20,700	25.875	31	35-45
346/600 3-PH	0.8	23,000	28.75	27	20,700	25.875	25	25-30

NOTES: (1) Recommended breaker sizes are 100 to 125% of generator output.

## ENGINE

ENGINE BRAND	ISUZU
ENGINE MODEL	4LE2T
TIER	IV FINAL
ENGINE STARTER	12V ELECTRIC
ENGINE SPEED	1800 RPM
ENGINE CYLINDERS	4
ENGINE HP	40
FREQUENCY	60 HZ
ALTERNATOR	35 AMPS 12V
FLYWHEEL	10"
ROTATION	CCW
ASPIRATION	TURBOCHARGED
COOLANT	4 QT
BORE/STROKE	85 mm x 96 mm
DISPLACEMENT	2.2L
RECOMMENDED OIL <sup>(2)</sup>	5W-40 SAE
OIL CAPACITY	11 QT
INJECTION PUMP	BOSCH CP4.1
GOVERNOR	ELECTRONIC
COMPRESSION RATIO	17.6:1
FAN TYPE	PUSHER
INTAKE AIR CONSUMPTION	75.7 CFM
RADIATOR COOLING AIR	--
EXHAUST FLOW	189.3 CFM
EXHAUST OUTLET SIZE	3"
STARTING AIDES	GLOW PLUGS
STARTING TEMP NATURAL W/ AIDES	5° F
STARTING TEMP W/BLOCK HEATER	-13° F

NOTES: (1) Steady state frequency regulation. (2) The recommended oil is for normal applications. See operator's manual for the recommended oil for your needs. (3) Battery not included.

## DE23

MOTOR STARTING (CODE G)	7 HP
DBA @ 7 METERS	--
TOTAL HARMONIC DISTORTION	< 5%
MAIN CIRCUIT BREAKER	CUSTOMER SUPPLIED
BONDED NEUTRAL	YES
FORK LIFT POCKETS	STANDARD
BATTERY	INCLUDED
ASSEMBLED IN	USA
EPA APPROVED	TIER IV FINAL
CARB APPROVED	TIER IV FINAL
TÜV CERTIFICATION <sup>(1)</sup>	UL22000 CSA
UNIT WARRANTY <sup>(2)</sup>	1 YEAR/2000 HRS

NOTES: (1) Units without composite fuel tanks conform to UL22000.

(2) For more generator warranty, see operator's manual.

## GENERATOR END

WINDING	12 LEAD
WINDING NUMBER	711
VOLTAGE REGULATION	AVR +/- 1%
AVR TYPE	AS540
TEMPERATURE RISE	125/40° C
TYPE	REVOLVING FIELD
BRUSHLESS	YES
SPEED	1800 RPM
ROTOR	2/3 PITCH
WINDINGS	100% COPPER
STATOR WINDING	DOUBLE LAYER CONCENTRIC
COUPLING	DIRECT/FLEXIBLE DISC
BEARINGS	SINGLE (MAINTENANCE FREE)
EFFICIENCY PEAK	89.2
INSULATION	CLASS H
INGRESS PROTECTION	IP23

# SPECIFICATIONS

## DERATES

ABOVE SEA LEVEL	
6,561 FT	10%
9,842 FT	20%
AMBIENT TEMPERATURE	
>104°F	3% PER 10°F

## FUEL

TYPE	ASTM D975 NO-2D DIESEL
OPTIONAL FUEL TANK <sup>(1)</sup>	47 GAL
CONTAINMENT	110%
TANK DIMENSIONS	70.5" x 30" x 18"
FULL LOAD RUN TIME <sup>(2)</sup>	22 HOURS
FUEL CONSUMPTION	GAL/HR
100%	2.10
75%	1.68
50%	1.26
25%	0.84

NOTES: (1) 47 gallon composite fuel tanks do not conform to UL2200.

(2) Run time is estimated using the optional 54 gallon fuel tank.

## OPTIONAL ACCESSORIES

DSE7310 MKII CONTROLLER
MIMIC PANEL
REMOTE MONITORING
SOLAR BATTERY CHARGER

## OPTIONAL DSE 7310 CONTROLLER

### ENGINE DISPLAY/PROTECTION

ENGINE RPM	YES
LOW OIL PRESSURE	YES
HIGH COOLANT TEMP	YES
LOW COOLANT	YES
OVER/UNDER SPEED	YES
OVER CRANK	YES
CAN ECU SHUTDOWN	YES
ENGINE MAINTENANCE CODES	YES

### GENSET DISPLAY/PROTECTION

VOLTAGE (L-N & L-L)	YES
OVER/UNDER VOLTAGE	YES
FREQUENCY	YES
OVER/UNDER FREQUENCY	YES
AMP DISPLAY/SHUTDOWN	YES
PHASE IMBALANCE	DISABLED
KW, KVA, KVARH DISPLAY	YES
KWH, KVAH, KVARH DISPLAY	YES
GENERATOR PHASE SEQUENCE	OPTIONAL

## SHIPPING

SHIPPING DIMENSIONS (L x W x H)	84" x 37" x 65"
SHIP WEIGHT WITHOUT TANK	1,620 LBS
FREIGHT CLASS	70

## ROCKER MANUAL START

### ENGINE

LOW OIL PRESSURE	SHUTDOWN
HIGH COOLANT TEMP	SHUTDOWN
OVER CRANK	SHUTDOWN
CAN ECU	DISPLAY/SHUTDOWN

### GENSET

VOLTAGE (L-L)	DISPLAY
---------------	---------

### ADDITIONAL DISPLAYS/PROTECTIONS

EXTERNAL E-STOP	CUSTOMER SUPPLIED
BATTERY VOLTAGE	YES
BATTERY OVER/UNDER VOLTAGE	YES

### COMMUNICATIONS

USB CONNECTABLE	YES
RS232/RS485	YES
REMOTE DISPLAY PANEL	OPTIONAL
DSE WEB NET	OPTIONAL

### ADDITIONAL FEATURES

AUDIBLE ALARM	YES
ENGINE EXERCISER	DISABLED
MAINTENANCE INTERVAL TIMER	DISABLED
LOAD SHEDDING/DUMMY	DISABLED
CONFIGURABLE INPUTS	4 (EXPANDABLE)
CONFIGURABLE OUTPUTS	4 (EXPANDABLE)
EVENT LOG	250

Specifications are subject to change without notice.

