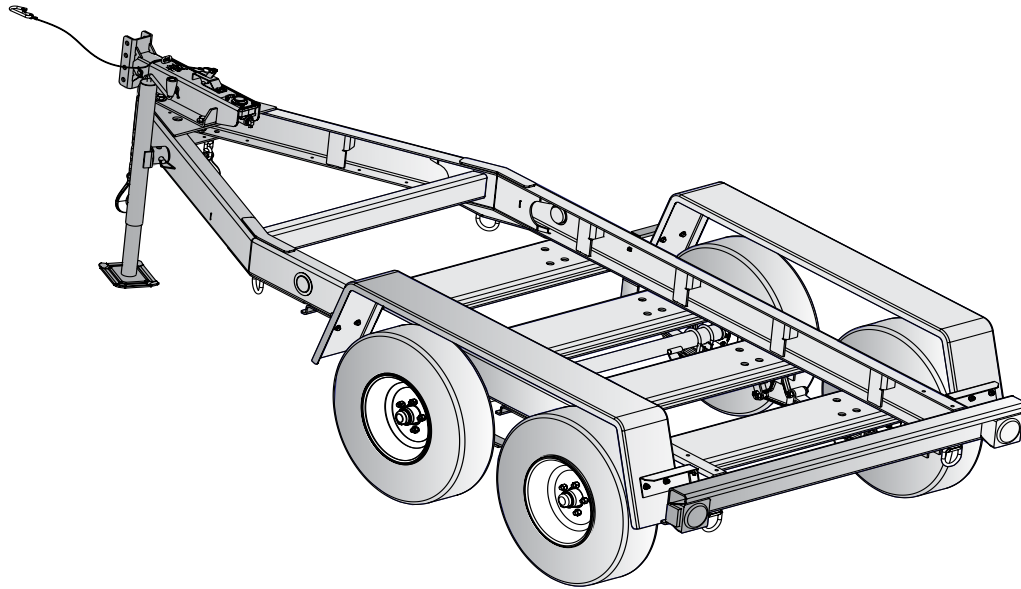




# TRLR45

## MQ POWER Tandem Axle Trailer



### TRLR45 Technical Data

Gross Vehicle Weight Rating (GVWR) — 7,000 lbs (2,613 kg)	Tire Size — ST205/75D14 LR-C
Gross Axle Weight Rating (GAWR) — 3,500 lbs. (1,588 kg)	Wheel Bolt Pattern — 5 Lug
Coupler Rating — See coupler options on back page.	Tire Load Rating — 1,760 lbs/657 kg (ea.)

### STANDARD TRAILER EQUIPMENT

- Fits MQ Power Generator Model DCA36SPXU4F, DCA40SSKU4F, DCA45SSIU4F, DCA45USI3CAN
- Tandem-Axle Design with Leaf Spring Suspension
- H.D. Welded Steel Frame Construction
- Form Channel for Generator Mounting and Support
- Replaceable, Bolt-on Hydraulic Brake Actuator
- Surge Hydraulic-actuated Drum Brakes (all axles)
- Hydraulic Uni-Servo Drum Brakes with Free-backing Plates - 10-inch Cluster
- D.O.T. Steel Brake Lines, Brass Tees and Rubber Hydraulic Brake Hoses
- 4-Hole Channel Allows 3-position, Adjustable Coupler Height; 4-inches O/A
- Tongue Mounted Swivel Jack with Flat Disc-foot (rated 3,000 pound lift)
- Replaceable, Bolt-on Steel Fenders
- Powder Coat Paint Process including: Frame, Channel, Actuator and Fenders
- D.O.T. Approved Tail Lamps, Stop Lamps, Turn Signal Lamps, Side Marker Lamps
- Weatherproof, Rubber Armored, 2-piece Trailer Light Wiring Harness



# TRLR45

## MQ POWER Tandem Axle Trailer

### OPTIONAL TRAILER EQUIPMENT

- Bolt-on Electric Brake Coupler and Channel Plate with Electric-actuated Drum Brakes (all axles)
- Electric Breakaway Safety Device (electric-actuated brakes)
- Adjustable 2-inch Ball Coupler
- Adjustable 2 5/16-inch Ball Coupler
- Adjustable 3-inch Pintle-eye Coupler
- Rear Stabilizer Stands
- Tongue Mounted Utility Storage Box
- Spare Tire with Locking Mount
- Anti-Theft Wheel Lock

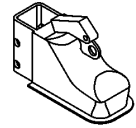
### Coupler Options

3" Pintle Eye  
20,000 lbs.



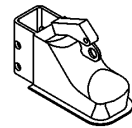
#EE36264

2" Ball Coupler  
10,000 lbs.

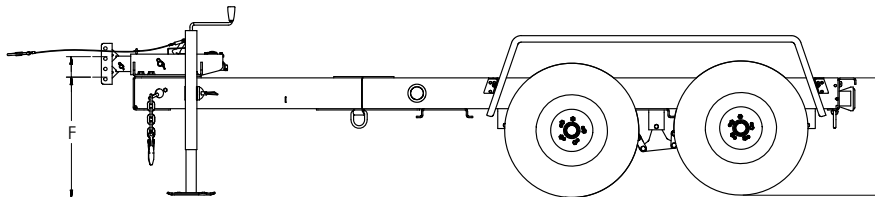
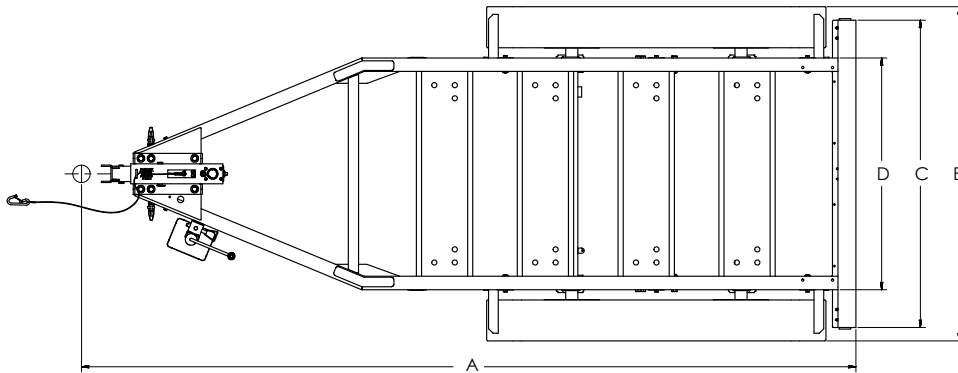


#EE43254

2-5/16" Ball Coupler  
14,000 lbs.



#EE43253



### Trailer Dimensions

A	B	C	D	E	F	
					MIN	MAX
148 in (3,759 mm)	65.25 in (1,657 mm)	60 in (1,524 mm)	45.25 in (1,149 mm)	23 in (584)	23 in (584 mm)	27 in (686 mm)

### Trailer Weight

1056 lbs. (479 kg)\*

*\*Weight is approximate*

Your Multiquip dealer is:

