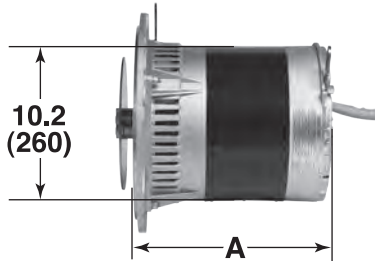


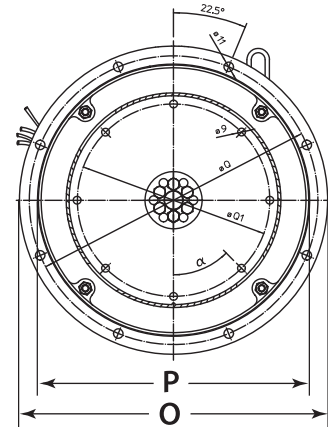


DIMENSIONAL DATA

Light Tower Generator



Light tower generator is available with flying leads and loose capacitor for customer mounting.



MODEL	A
LT3-75	9.8 (248)
LT3-100	10.7 (273)
LT3-110	11.1 (283)
LT3-130	12.0 (303)
LT3-160	13.1 (333)

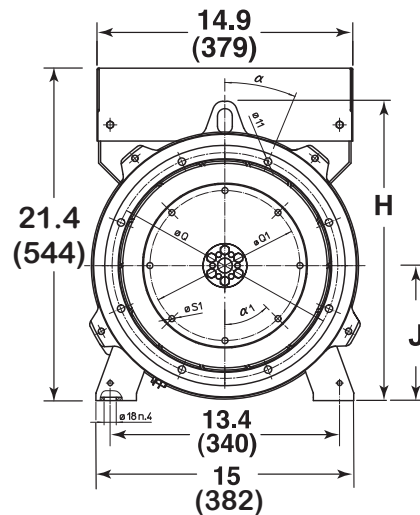
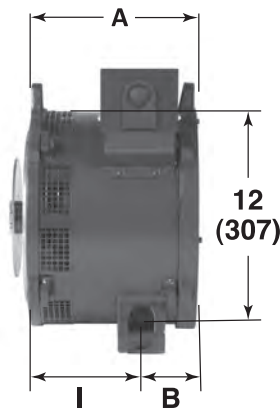
Dimensions are in. (mm)

SAE N.	FLANGE		
	O	P	Q
6	12.5 (316)	10.5 (266.7)	11.25 (285.75)
5	14 (356)	12.4 (314.3)	13.13 (333.4)

SAE N.	DISC COUPLING			
	d	Q1	HOLES N°	α
6 1/2	8.5 (215.9)	7.875 (200)	6	60°
7 1/2	9.5 (241.3)	8.75 (222.25)	8	45°

Dimensions are in. (mm)

NPE Series (Pancake)



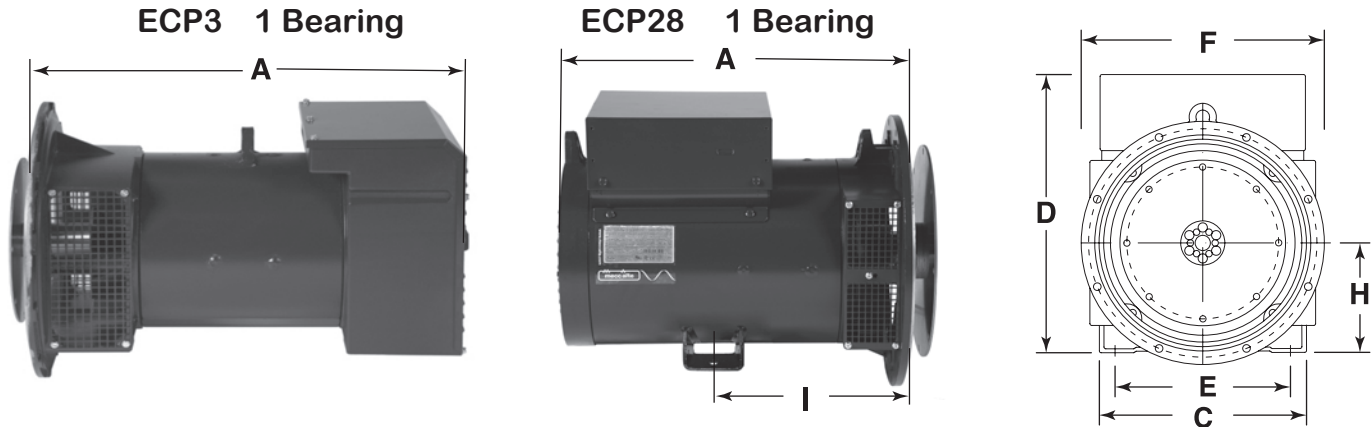
MODEL	A	B	I	J
NPE32-A*	10.2 (258)	3.7 (93)	6.5 (165)	6.3 (160)
NPE32-B*	10.6 (268)	3.7 (93)	6.9 (175)	6.3 (160)
NPE32-C*	10.9 (278)	3.7 (93)	7.3 (185)	6.3 (160)
NPE32-D*	11.5 (293)	3.7 (93)	7.9 (200)	7.9 (200)
NPE32-E*	12.7 (323)	3.7 (93)	9 (230)	7.9 (200)
NPE32-F*	13.5 (343)	3.7 (93)	9.8 (250)	7.9 (200)

*Dimensions for NPE31 frame are the same.
Dimensions are in. (mm)

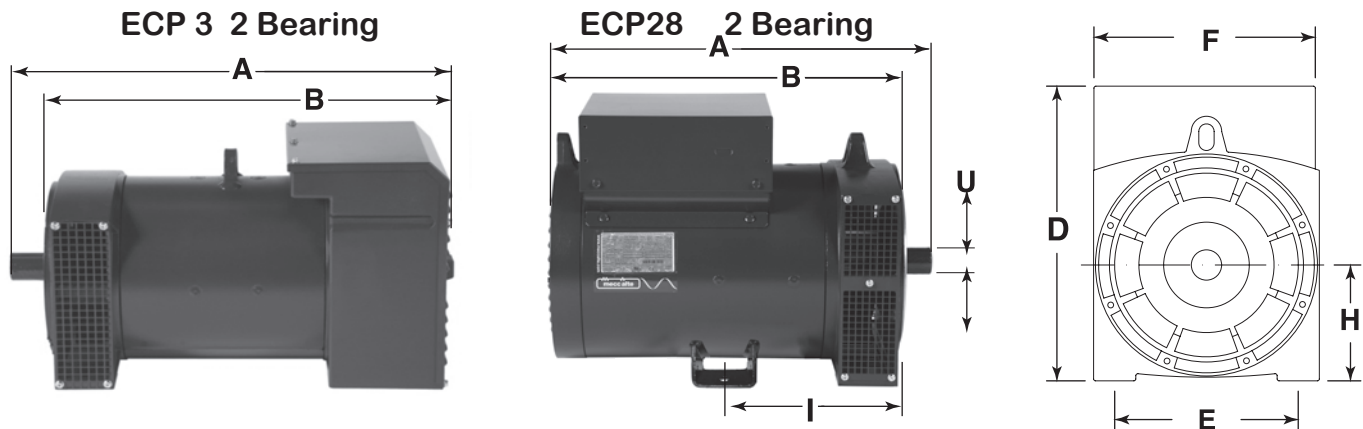
SAE	H
5	17.4 (443)
4	17.9 (454)
3	18.7 (474)

Dimensions are in. (mm)

DIMENSIONAL DATA



MODEL	A	C	D*	E	F	H	I
ECP3-S	17.9 (454)	10.4 (265)	12.4 (317)	8.7 (220)	10.7 (271)	5.2 (132)	14.3 (363)
ECP3-L	20.6 (524)	10.4 (265)	12.4 (317)	8.7 (220)	10.7 (271)	5.2 (132)	16.7 (423)
ECP28-VS	15.9 (405)	11.8 (300)	16.1 (409)	10 (254)	13.3 (338)	6.3 (160)	10.7 (273)
ECP28-S	17.5 (445)	11.8 (300)	16.1 (409)	10 (254)	13.3 (338)	6.3 (160)	10.7 (273)
ECP28-M	18.9 (480)	11.8 (300)	16.1 (409)	10 (254)	13.3 (338)	6.3 (160)	10.7 (273)
ECP28-2L	20.7 (525)	11.8 (300)	16.1 (409)	10 (254)	13.3 (338)	6.3 (160)	10.7 (273)
ECP28-VL	21.8 (555)	11.8 (300)	16.1 (409)	10 (254)	13.3 (338)	6.3 (160)	10.7 (273)



MODEL	A	B	D*	E	F	H	I	U
ECP3-S	19.6 (498)	17.3 (440)	12.4 (317)	8.7 (220)	11 (277)	5.2 (132)	13.7 (349)	1.4 (35)
ECP3-L	22.4 (568)	20.1 (510)	12.4 (317)	8.7 (220)	11 (277)	5.2 (132)	16.5 (419)	1.4 (35)
ECP28-VS	18.7 (447)	16.5 (419)	16.1 (409)	10 (254)	12.7 (324)	6.3 (160)	11.3 (286.5)	1.7 (42)
ECP28-S	20.3 (517)	18 (459)	16.1 (409)	10 (254)	12.7 (324)	6.3 (160)	11.3 (286.5)	1.7 (42)
ECP28-M	21.7 (552)	19.4 (494)	16.1 (409)	10 (254)	12.7 (324)	6.3 (160)	11.3 (286.5)	1.7 (42)
ECP28-2L	23.5 (597)	21.2 (539)	16.1 (409)	10 (254)	12.7 (324)	6.3 (160)	11.3 (286.5)	1.7 (42)
ECP28-VL	24.6 (627)	22.4 (569)	16.1 (409)	10 (254)	12.7 (324)	6.3 (160)	11.3 (286.5)	1.7 (42)

Dimensions are in. (mm), for estimating only, ask for certified print before finalizing build drawings.

*Optional tall cover available for ECP28, D dimension equals 18.9(481)



DIMENSIONAL DATA

ECP32, ECP34 1 Bearing

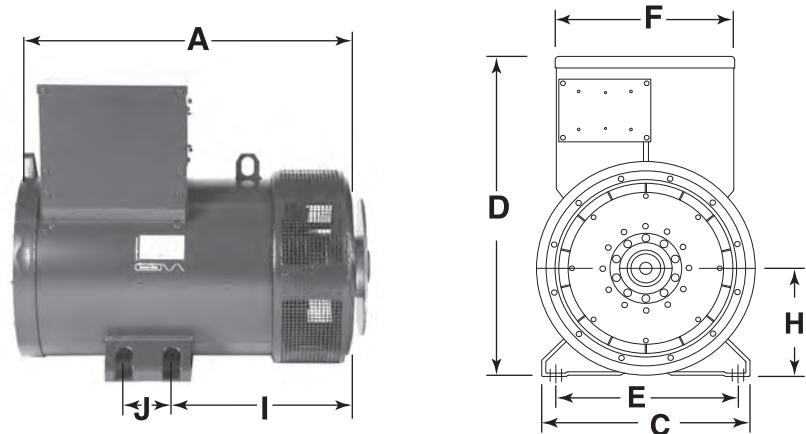
Dimensions are in. (mm)

For estimating only.

Ask for a certified print before finalizing build drawings.

Short box is standard for ECP32

Tall box is standard for ECP34



MODEL	A	C	D(standard)	D(optional)	E	F	H	I	J
ECP32-S	23.3 (591)	15.0 (382)	18.9 (480)	23.8 (605)	13.4 (340)	15.4 (392)	7.9 (200)	11.6 (295)	1.1 (27)
ECP32-M	25.8 (656)	15.0 (382)	18.9 (480)	23.8 (605)	13.4 (340)	15.4 (392)	7.9 (200)	12.9 (327)	4.7 (120)
ECP32-L	28.6 (726)	15.0 (382)	18.9 (480)	23.8 (605)	13.4 (340)	15.4 (392)	7.9 (200)	16.5 (420)	4.7 (120)
ECP34-S	30 (760.5)	18.5 (470)	29.2 (743)	24.6(626)	16 (406)	16.4 (417)	9.8 (250)	14.0 (356)	4.7 (120)
ECP34-L	33 (840.5)	18.5 (470)	29.2 (743)	24.6(626)	16 (406)	16.4 (417)	9.8 (250)	17.6 (446)	4.7 (120)

ECP32, ECP34 2 Bearing

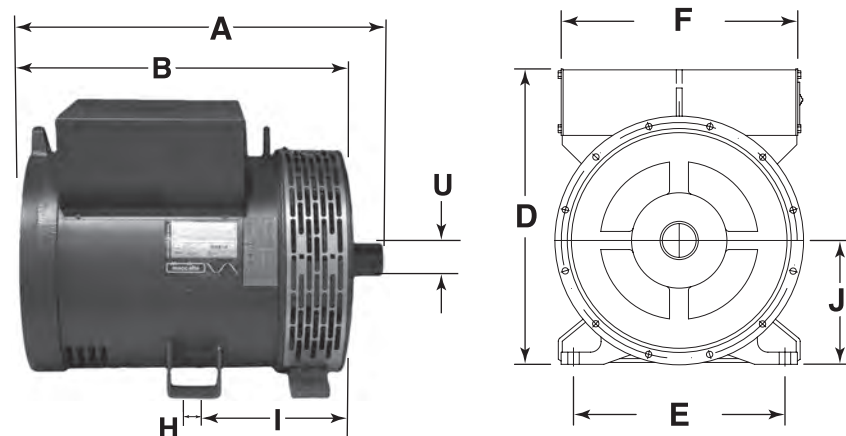
Dimensions are in. (mm)

For estimating only.

Ask for a certified print before finalizing build drawings.

Short box is standard for ECP32

Tall box is standard for ECP34



MODEL	A	B	D(Standard)	D(Optional)	E	F	H	I	U	J
ECP32-S	24.7 (628)	21.5 (546)	19 (480)	23.8 (605)	13.4 (340)	15.4 (392)	1.1 (27)	9.9 (250)	2.2 (55)	7.9 (200)
ECP32-M	27.3 (693)	24.1 (611)	19 (480)	23.8 (605)	13.4 (340)	15.4 (392)	4.7(120)	11.1 (282)	2.2 (55)	7.9 (200)
ECP32-L	26.8 (763)	26.8 (681)	19 (480)	23.8 (605)	13.4 (340)	15.4 (392)	4.7(120)	14.8 (375)	2.2 (55)	7.9 (200)
ECP34-S	27.6 (806.5)	27.6 (701.5)	29.2 (743)	24.6(626)	16 (406)	16.4 (417)	4.7(120)	11.7 (297)	2.6 (65)	9.8 (250)
ECP34-L	34.5 (886.5)	30.8 (781.5)	29.2 (743)	24.6(626)	16 (406)	16.4 (417)	4.7(120)	15.2 (387)	2.6 (65)	9.8 (250)

Standard taller box shown in top photo of ECP34

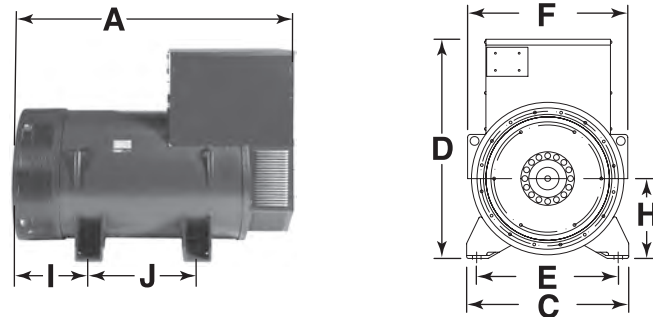
Standard shorter box shown in bottom photo of ECP32

DIMENSIONAL DATA

ECO 38, 40, 43 and 46 1 Bearing

Dimensions are in. (mm)
For estimating only.

Ask for a certified print before
finalizing build drawings.



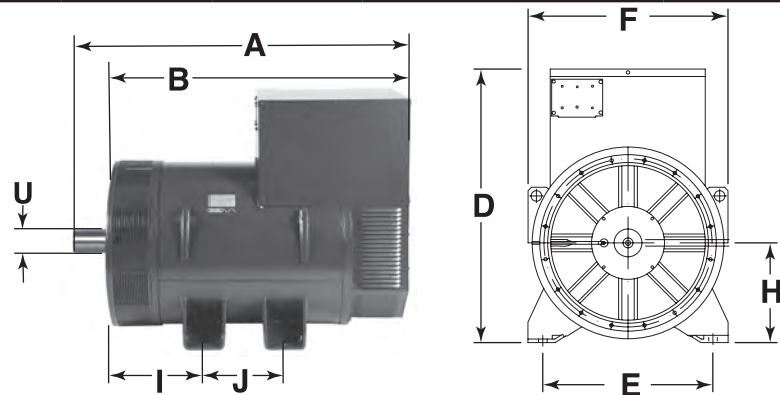
MODEL	A	C	D	E	F	H	I	J
ECO38-SN	32.6 (829)	21.2 (538)	32.4 (822)	18 (457)	23 (589)	11 (280)	16.5 (420)	6 (150)
ECO38-LN	40.9 (1039)	21.2 (538)	32.4 (822)	18 (457)	23 (589)	11 (280)	22.8 (580)	6 (150)
ECO40-S	42.4 (1077)	26.4 (670)	40.3 (1024)	22.4 (570)	27 (687)	14 (355)	12.6 (320)	12 (305)
ECO40-L	49 (1242)	26.4 (670)	40.3 (1024)	22.4 (570)	27 (687)	14 (355)	12.6 (320)	18.5 (470)
ECO40-VL	52.8 (1342)	26.4 (670)	40.3 (1024)	22.4 (570)	27 (687)	14 (355)	12.6 (320)	18.5 (470)
ECO43-S	53.7 (1365)	31.7 (806)	48.9 (1242.5)	27 (686)	31.7 (806)	15.7 (400)	18.3 (465)	13.8 (350)
ECO43-M	57.3 (1455)	31.7 (806)	48.9 (1242.5)	27 (686)	31.7 (806)	15.7 (400)	18.3 (465)	21.6 (550)
ECO43-L	61.6 (1565)	31.7 (806)	48.9 (1242.5)	27 (686)	31.7 (806)	15.7 (400)	18.3 (465)	21.6 (550)
ECO46-S	63 (1600)	37.8 (960)	55 (1400)	33 (840)	37.8 (960)	19.7 (500)	19.7 (500)	18.5 (470)
ECO46-L	73 (1861)	37.8 (960)	55 (1400)	33 (840)	37.8 (960)	19.7 (500)	19.7 (500)	27.6 (700)

ECO 38, 40, 43 and 46 2 Bearing

Dimensions are in. (mm)

For estimating only.

Ask for a certified print before
finalizing build drawings.

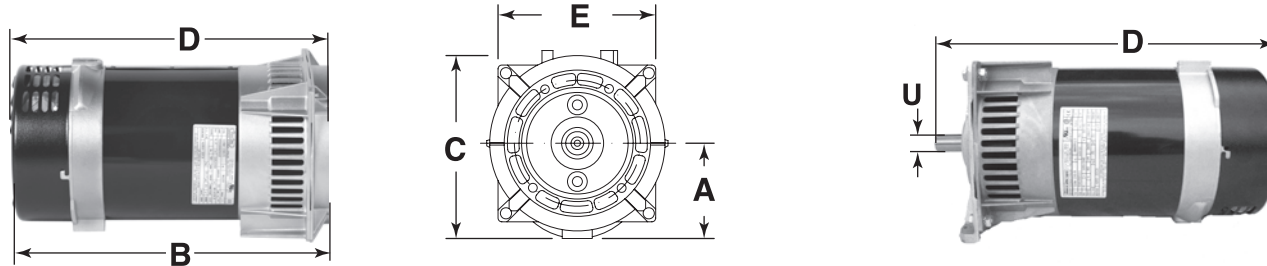


MODEL	A	B	D	E	F	H	I	J	U
ECO38-SN	35 (888)	29.8 (758)	32.4 (822)	18.4 (467)	23 (589)	11 (280)	13.7 (349)	6 (150)	3.3 (85)
ECO38-LN	43.2 (1098)	38 (968)	32.4 (822)	18.4 (467)	23 (589)	11 (280)	20 (509)	6 (150)	3.3 (85)
ECO40-S	46.7 (1187)	40 (1017)	40.3 (1024)	22.4 (570)	27 (687)	14 (355)	10.2 (260)	12 (305)	3.7 (95)
ECO40-L	53.2 (1352)	46.5 (1182)	40.3 (1024)	22.4 (570)	27 (687)	14 (355)	10.2 (260)	18.5 (470)	3.7 (95)
ECO40-VL	57.2 (1452)	50.5 (1282)	40.3 (1024)	22.4 (570)	27 (687)	14 (355)	10.2 (260)	18.5 (470)	3.7 (95)
ECO43-S	59.8 (1520)	52 (1320)	48.9 (1242.5)	27 (686)	31.7 (806)	15.7 (400)	16.5 (420)	13.8 (350)	4.3 (110)
ECO43-M	63.3 (1610)	55.5 (1410)	48.9 (1242.5)	27 (686)	31.7 (806)	15.7 (400)	16.5 (420)	21.6 (550)	4.3 (110)
ECO43-L	67.7 (1720)	59.8 (1520)	48.9 (1242.5)	27 (686)	31.7 (806)	15.7 (400)	16.5 (420)	21.6 (550)	4.3 (110)
ECO46-S	69.4 (1763)	61.5 (1563)	55 (1400)	33 (840)	37.8 (960)	19.7 (500)	18.2 (463)	18.5 (470)	5.5 (140)
ECO46-L	78.4 (1993)	70.6 (1793)	55 (1400)	33 (840)	37.8 (960)	19.7 (500)	18.2 (463)	27.6 (700)	5.5 (140)



DIMENSIONAL DATA

PORTABLES



J609A, J609B, B9, C23, C30

J609A-3/4" TAPER

Dimensions are in. (mm)

MODEL	A	B	C	D	E
S15W-45	3.6 (91)	9.2 (233.5)	7 (178)	9.4 (239.5)	6.9 (174)
S15W-60	3.6 (91)	9.8 (248.5)	7 (178)	10 (254.5)	6.9 (174)
S15W-75	3.6 (91)	10.4 (263.5)	7 (178)	10.6 (269.5)	6.9 (174)
S15W-85	3.6 (91)	10.8 (273.5)	7 (178)	11 (279.5)	6.9 (174)
S15W-102	3.6 (91)	11.4 (290.5)	7 (178)	11.7 (296.5)	6.9 (174)
S16W-75	3.9 (100)	10.7 (272.5)	7.2 (182)	11 (278.5)	7.2 (182)
S16W-90	3.9 (100)	11.3 (287.5)	7.2 (182)	11.6 (293.5)	7.2 (182)
S16W-105	3.9 (100)	11.9 (302.5)	7.2 (182)	12.1 (308.5)	7.2 (182)

B3-2BRG

D	U
12.5 (317)	7/8 (22.2)
13 (332)	7/8 (22.2)
13.6 (347)	7/8 (22.2)
14 (357)	7/8 (22.2)
14.7 (374)	7/8 (22.2)
13.9 (356)	7/8 (22.2)
14.6 (371)	7/8 (22.2)
15.2 (386)	7/8 (22.2)

J609B-7/8" TAPER

Dimensions are in. (mm)

MODEL	A	B	C	D	E
S16W-75	3.9 (100)	11.1 (283.5)	7.2 (182)	11.4 (289.5)	7.2 (182)
S16W-90	3.9 (100)	11.8 (298.5)	7.2 (182)	12 (304.5)	7.2 (182)
S16W-105	3.9 (100)	12.3 (313.5)	7.2 (182)	12.6 (320)	7.2 (182)
S16W-130	3.9 (100)	13.3 (338.5)	7.2 (182)	13.6 (344.5)	7.2 (182)
S16W-150	3.9 (100)	14.1 (358.5)	7.2 (182)	14.4 (364.5)	7.2 (182)
S20W-95	4.9 (125)	12.8 (324)	8 (202)	13 (329)	8.1 (207)
S20W110	4.9 (125)	13.3 (339)	8 (202)	13.5 (344)	8.1 (207)
S20W130	4.9 (125)	14.1 (359)	8 (202)	14.3 (364)	8.1 (207)

B3-2BRG

D	U
14.4 (367)	7/8 (22.2)
15 (382)	7/8 (22.2)
15.6 (397)	7/8 (22.2)
16.6 (422)	7/8 (22.2)
17.4 (442)	7/8 (22.2)
16 (406)	1.1 (28)
16.6 (421)	1.1 (28)
17.4 (441)	1.1 (28)

B9/C23/C30-23/30mm TAPER Dimensions are in. (mm)

MODEL	A	B	C	D	E
*S15W-45	3.6 (91)	9.2 (233.5)	7 (178)	9.4 (239.5)	6.9 (174)
*S15W-60	3.6 (91)	9.8 (248.5)	7 (178)	10 (254.5)	6.9 (174)
*S15W-75	3.6 (91)	10.4 (263.5)	7 (178)	10.6 (269.5)	6.9 (174)
*S15W-85	3.6 (91)	10.8 (273.5)	7 (178)	11 (279.5)	6.9 (174)
*S15W-102	3.6 (91)	11.4 (290.5)	7 (178)	11.7 (296.5)	6.9 (174)
*S16W-75	3.9 (100)	10.7 (272.5)	7.2 (182)	11 (278.5)	7.2 (182)
*S16W-90	3.9 (100)	11.3 (287.5)	7.2 (182)	11.6 (293.5)	7.2 (182)
*S16W-105	3.9 (100)	11.9 (302.5)	7.2 (182)	12.1 (308.5)	7.2 (182)
*S16W-130	3.9 (100)	12.9 (328)	7.2 (182)	13.1 (334)	7.2 (182)
*S16W-150	3.9 (100)	13.7 (348)	7.2 (182)	13.9 (354)	7.2 (182)
**S20W-95	4.9 (125)	12.7 (321.5)	8 (202)	12.9 (326.5)	8.1 (207)
**S20W110	4.9 (125)	13.2 (336.5)	8 (202)	13.4 (341.5)	8.1 (207)
**S20W130	4.9 (125)	14 (356.5)	8 (202)	14.2 (361.5)	8.1 (207)

B3-2BRG

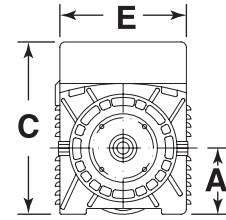
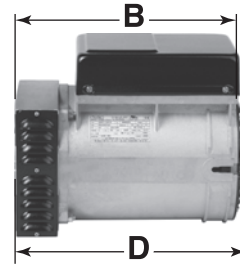
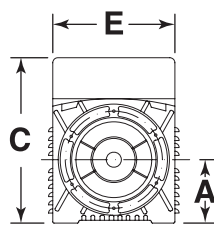
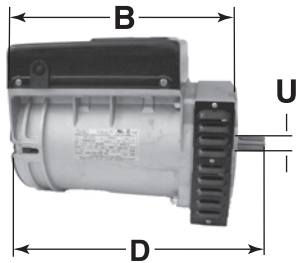
D	U
12.5 (317)	7/8 (22.2)
13 (332)	7/8 (22.2)
13.6 (347)	7/8 (22.2)
14 (357)	7/8 (22.2)
14.7 (374)	7/8 (22.2)
13.9 (356)	7/8 (22.2)
14.6 (371)	7/8 (22.2)
15.2 (386)	7/8 (22.2)
16.2 (411)	7/8 (22.2)
17 (431)	7/8 (22.2)
15.9 (404)	1.1 (28)
16.5 (419)	1.1 (28)
17.3 (439)	1.1 (28)

*Available in C23 only

**Available in C23 & C30

DIMENSIONAL DATA

PORTABLES



B34

J609B/ B9/C23/C30

B34-2BRG/WITH FLANGE

Dimensions are in. (mm)

MODEL	A	B	C	D	E	U
ES16F/S16F/ET16F/T16F	3.9 (100)	13.4 (340)	7.8 (198)	15.4 (390)	7.8 (199)	.94 (24)
ES20FS/S20FS/ET20FS/T20FS	4.4 (112)	14.2 (360)	11.7 (296)	16.5 (420)	7.8 (199)	1.1 (28)
E20F/S20F/ET20F/T20F	4.4 (112)	15.7 (400)	11.7 (296)	18.1 (460)	7.8 (199)	1.1 (28)

J609A-3/4" TAPER

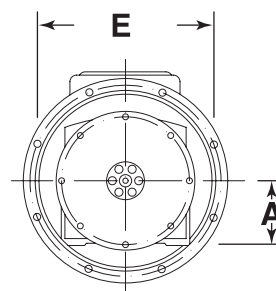
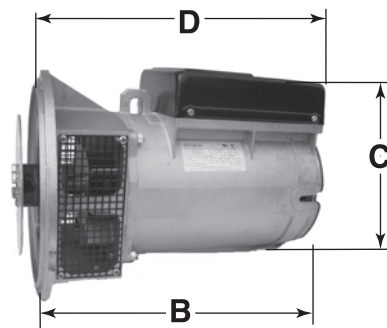
MODEL	A	B	C	D	E
ES16F/S16F/ET16F/T16F	3.9 (100)	13.4 (340)	7.8 (198)	14.2 (361)	7.8 (199)

J609B-7/8" TAPER

MODEL	A	B	C	D	E
ES16F/S16F/ET16F/T16F	3.9 (100)	13.4 (340)	7.8 (198)	14.2 (361)	7.8 (199)
ES20FS/S20FS/ET20FS/T20FS	4.4 (112)	14.2 (360)	11.7 (296)	15.2 (386)	7.8 (199)
E20F/S20F/ET20F/T20F	4.4 (112)	15.7 (400)	11.7 (296)	16.8 (426)	7.8 (199)

B9/C23/C30-23/30mm TAPER

MODEL	A	B	C	D	E
ES16F/S16F/ET16F/T16F	3.9 (100)	13.4 (340)	7.8 (198)	14.2 (361)	7.8 (199)
ES20FS/S20FS/ET20FS/T20FS	4.4 (112)	14.2 (360)	11.7 (296)	15.2 (386)	7.8 (199)
E20F/S20F/ET20F/T20F	4.4 (112)	15.7 (400)	11.7 (296)	16.8 (426)	7.8 (199)



SAE#5

SAE#5, 1BRG

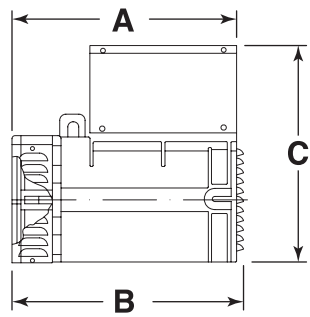
Dimensions are in. (mm)

MODEL	A	B	C	D	E
ES20FS/S20FS/ET20FS/T20FS	4.4 (112)	16 (404)	11.7 (296)	16.7 (430)	8.7 (222)
E20F/S20F/ET20F/T20F	4.4 (112)	17.5 (444)	11.7 (296)	18.5 (470)	8.7 (222)

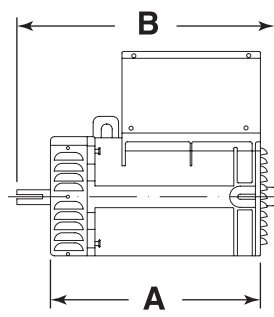
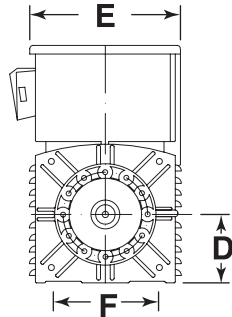


DIMENSIONAL DATA

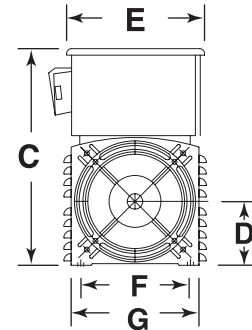
WELDERS



B3/B9/C23/C38/J609B



B3/B14



B3, B9, C23, C38, J609B

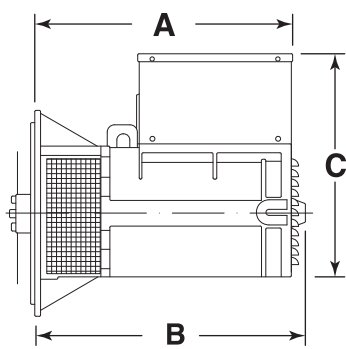
Dimensions are in. (mm)

MODEL	A	B	C	D	E	F
HM1	13.6 (346)	14.2 (361)	12 (304)	3.9 (100)	8 (202)	6.3 (160)
PW2	15.9 (403)	16.8 (426)	15.3 (388)	4.4 (112)	9.8 (250)	7 (180)

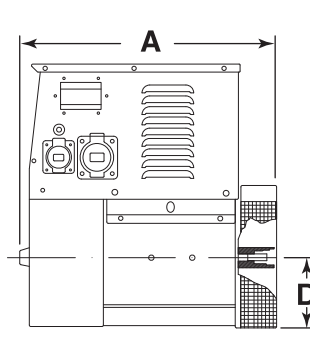
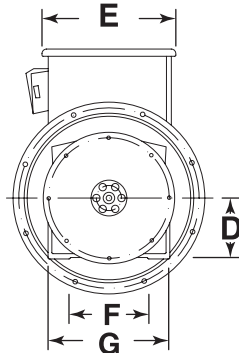
B3, B14

Dimensions are in. (mm)

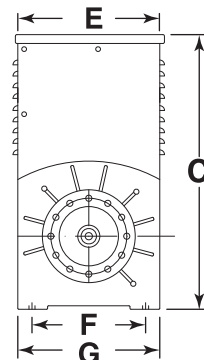
MODEL	A	B	C	D	E	F	G
HM1	14.2 (361)	15.6 (396)	12.5 (318)	3.9 (100)	8 (202)	6.3 (160)	8.1 (206)
PW2	16.8 (426)	18.3 (463)	15.3 (388)	4.4 (112)	9.8 (250)	7 (180)	8.1 (206)



MD 35



B9, C30, J609B



MD 35

Dimensions are in. (mm)

MODEL	A	B	C	D	E	F	G
PW2	17.6 (447)	18.5 (470)	15.3 (388)	4.4 (112)	9.8 (250)	7 (180)	8.1 (206)

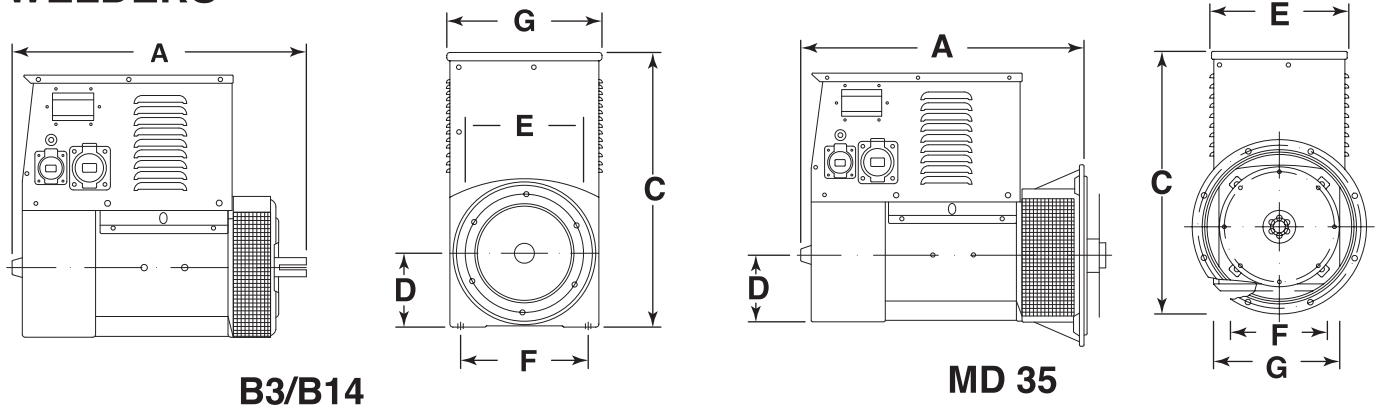
B9, C30, J609B

Dimensions are in. (mm)

MODEL	Length	A	C	D	E	F	G
PW3	S	17.9 (454)	19.3 (489)	5.2 (132)	10.7 (271)	8.7 (220)	11 (279)
	L	17.9 (454)	19.3 (489)	5.2 (132)	10.7 (271)	8.7 (220)	11 (279)
EPW3	S	17.9 (454)	19.3 (489)	5.2 (132)	10.7 (271)	8.7 (220)	11 (279)
	L	17.9 (454)	19.3 (489)	5.2 (132)	10.7 (271)	8.7 (220)	11 (279)

DIMENSIONAL DATA

WELDERS



B3, B14

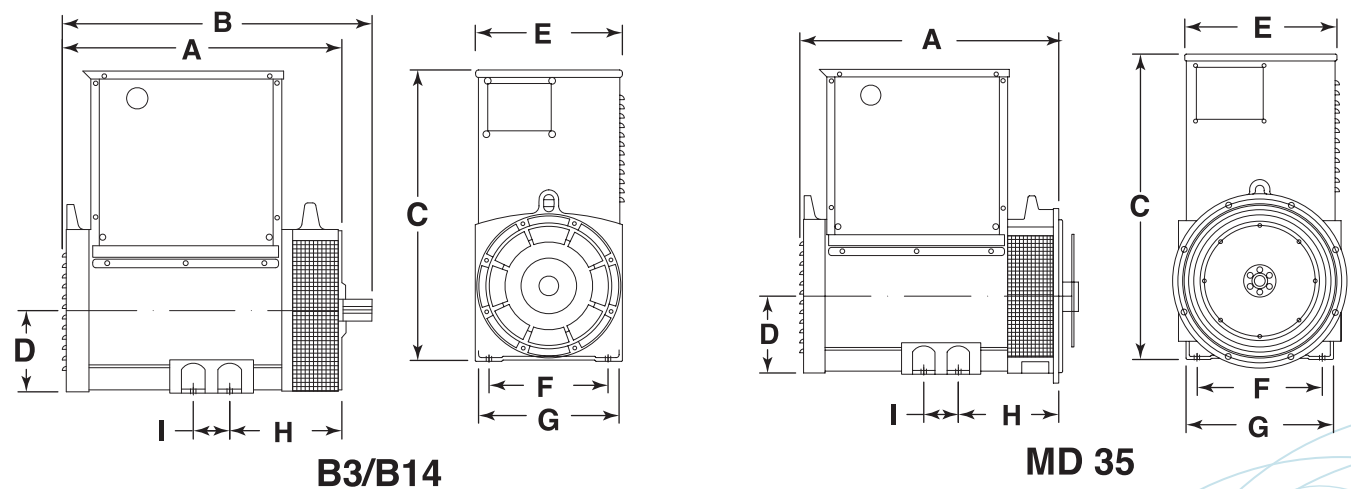
Dimensions are in. (mm)

MODEL	Length	A	C	D	E	F	G
PW3	S	20.1 (511)	19.3 (489)	5.3 (132)	8.3 (210)	9.7 (220)	11 (279)
	L	22.9 (581)					
EPW3	S	20.1 (511)	19.3 (489)	5.3 (132)	8.3 (210)	9.7 (220)	11 (279)
	L	22.9 (581)					

MD 35

Dimensions are in. (mm)

MODEL	Length	A	C	D	E	F	G
PW3	S	19.3 (491)	19.3 (489)	5.3 (132)	10.8 (275)	9.7 (220)	10.4 (265)
	L	22 (561)					
EPW3	S	19.3 (491)	19.3 (489)	5.3 (132)	10.8 (275)	9.7 (220)	10.4 (265)
	L	22 (561)					



B3, B14

Dimensions are in. (mm)

MODEL	A	B	C	D	E	F	G	H	I
EPW4	21.8 (538)	23.5 (596)	24.3 (618)	6.3 (160)	12.7 (323)	10 (254)	11.8 (300)	9 (217)	2.8 (70)
EPW5	26.8 (681)	30 (763)	26.3 (667)	7.9 (200)	17.4 (442)	13.4 (340)	15.4 (390)	15 (376)	4.7 (120)

MD 35

Dimensions are in. (mm)

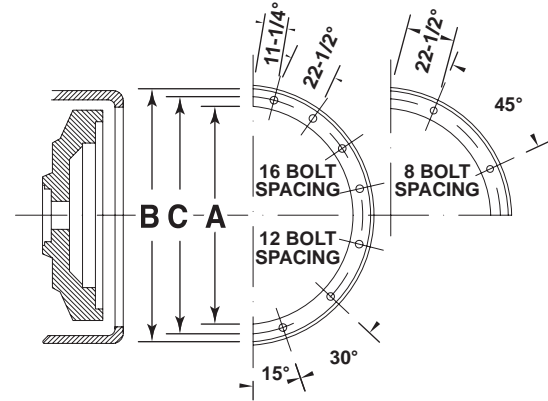
MODEL	A	C	D	E	F	G	I	H
EPW4	21.8 (538)	24.3 (618)	6.3 (160)	12.7 (323)	10 (254)	11.8 (300)	2.8 (70)	(203)
EPW5	26.8 (681)	26.3 (667)	7.9 (200)	17.4 (442)	13.4 (340)	15.4 (390)	4.7 (120)	(420)



SAE DIMENSIONS/ MOUNTING ARRANGEMENTS

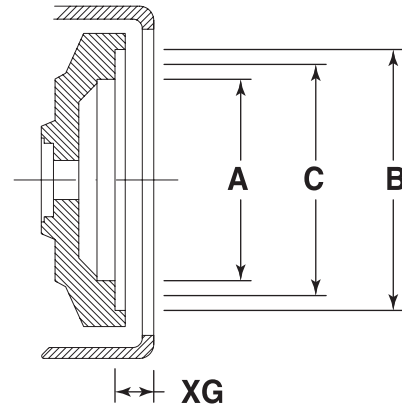
S. A. E. Flywheel Housing Dimensions (in)

S.A.E. No.	A	B	C	Holes	Size
00	31	34.75	33.5	16	1/2-13
0	25.5	28	26.75	16	1/2-13
1/2	23	25.5	24 3/8	12	1/2-13
1	20 1/8	21.75	20 7/8	12	7/16-14
2	17 5/8	19.25	18 3/8	12	3/8-16
3	16 1/8	17.75	16 7/8	12	3/8-16
4	14.25	15 7/8	15	12	3/8-16
5	12 3/8	14	13 1/8	8	3/8-16
6	10.5	12 1/8	11.25	8	3/8-16



S. A. E. Flywheel Dimensions (in)

Flywheel	A	B	C	XG	Holes	Size
21	23	26.5	25.25	0	12	5/8-11
18	19 5/8	22.5	21 3/8	5/8	6	5/8-11
14	16 1/8	18 3/8	17.25	1	8	1/2-13
11 1/2	12.375	13 7/8	13.125	1 9/16	8	3/8-16
10	10 7/8	12 3/8	11 5/8	2 1/8	8	3/8-16
8	8 7/8	10 3/8	9 5/8	2 7/16	6	3/8-16
7 1/2	8 1/8	9 1/2	8.75	1 3/16	8	5/16-18
6 1/2	7.25	8 1/2	7 7/8	1 3/16	6	5/16-18
17.75 D	--	17.75	15.5	.72	8	5/8-11
15.50 D	--	15.50	13 7/8	.72	8	5/8-11
12.75 D	--	12.75	11	0	4	1/2-13



AVAILABLE MOUNTING ARRANGEMENTS

Adaptor	Coupling	ECP3	ECP28	ECP32	ECP34	ECO38	ECO40	ECO43	ECO46	NPE 32
6	6.5	•								
	7.5	•								
5	6.5	•	•	•						•
	7.5	•	•	•						•
	8	•	•	•						•
4	6.5	•	•	•						•
	7.5	•	•	•						•
	8	•	•	•						•
	10	•	•	•						•
3	11.5	•	•	•						•
	8	•	•	•	•					•
	10	•	•	•	•					•
2	11.5	•	•	•	•					•
	10			•	•	•				
1	11.5			•	•	•	•			
	14			•	•	•	•			
1/2	17.75 D			•	•	•	•			
	14					•	•	•		
0	18					•	•	•	•	
	17.75 D					•	•	•	•	
00	14						•	•	•	
	18						•	•	•	
00	21						•	•	•	
	18						•	•	•	

• Standard Available