

# S16W

MECCALTE spa - Via Roma, 20 - 36051 CREAZZO (VI) ITALY  
Tel. +39 0444/396111 - Fax +39 0444/396166 - e-mail: info@meccalte.it  
website: www.meccalte.com

**2 POLE**  
**1 PHASE**  
**IP21 or IP23**

## CHARACTERISTICS

### 50 Hz

| Type       | 115/230V 50Hz 3000 RPM |               |               |               |                     |            |           |           |                  |        |
|------------|------------------------|---------------|---------------|---------------|---------------------|------------|-----------|-----------|------------------|--------|
|            | kVA                    | $\eta$        | $\eta$        | $\eta$        | T.H.D.              | Air volume | Noise     |           | Weight           | J      |
|            |                        | 2/4<br>1 p.f. | 3/4<br>1 p.f. | 4/4<br>1 p.f. |                     |            | 7m<br>dBA | 1m<br>dBA |                  |        |
| CL. H      | %                      | %             | %             | %             | m <sup>3</sup> /min |            |           | Kg        | Kgm <sup>2</sup> |        |
| S16W - 75  | 2,5                    | 71            | 74,2          | 74            | < 6                 | 2,5        | 56        | 72        | 14,3             | 0,0057 |
| S16W - 90  | 3,5                    | 72            | 75,2          | 75            | < 6                 | 2,5        | 56        | 72        | 16,1             | 0,0068 |
| S16W - 105 | 4,1                    | 73,1          | 76,1          | 76            | < 6                 | 2,4        | 56        | 72        | 17,7             | 0,0074 |
| S16W - 130 | 5                      | 74,1          | 77,2          | 77            | < 6                 | 2,4        | 56        | 72        | 21               | 0,0084 |
| S16W - 150 | 5,7                    | 75            | 78,1          | 78            | < 6                 | 2,3        | 56        | 72        | 23,7             | 0,0098 |

### 60 Hz

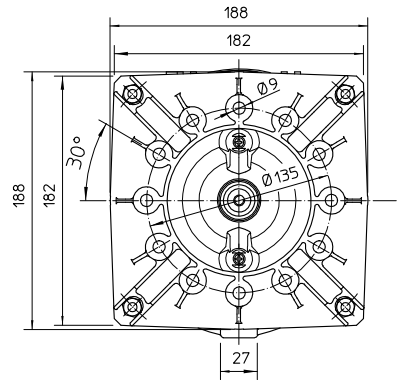
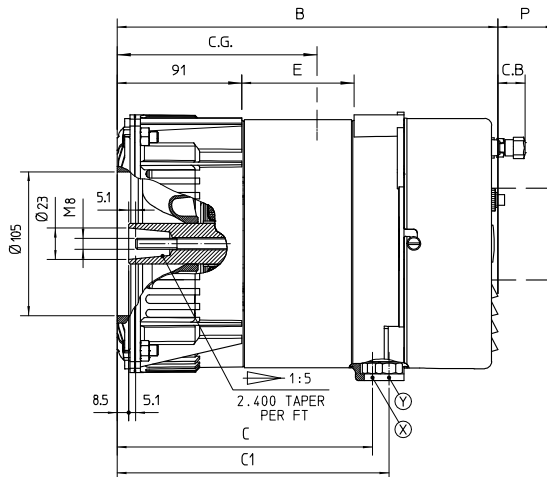
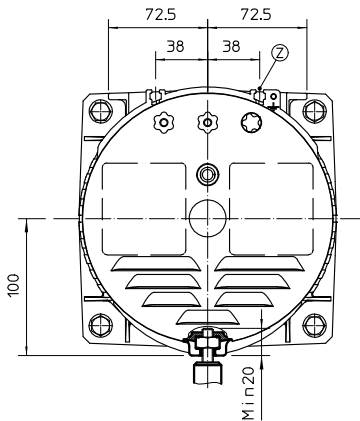
| Type       | 120/240V 60Hz 3600 RPM |               |               |               |                     |            |           |           |                  |        |
|------------|------------------------|---------------|---------------|---------------|---------------------|------------|-----------|-----------|------------------|--------|
|            | kVA                    | $\eta$        | $\eta$        | $\eta$        | T.H.D.              | Air volume | Noise     |           | Weight           | J      |
|            |                        | 2/4<br>1 p.f. | 3/4<br>1 p.f. | 4/4<br>1 p.f. |                     |            | 7m<br>dBA | 1m<br>dBA |                  |        |
| CL. H      | %                      | %             | %             | %             | m <sup>3</sup> /min |            |           | Kg        | Kgm <sup>2</sup> |        |
| S16W - 75  | 3                      | 71,5          | 74,7          | 74,6          | < 6                 | 3,3        | 60        | 77        | 14,3             | 0,0057 |
| S16W - 90  | 4,2                    | 72,7          | 75,8          | 75,6          | < 6                 | 3,3        | 60        | 77        | 16,1             | 0,0068 |
| S16W - 105 | 4,9                    | 73,8          | 76,8          | 76,6          | < 6                 | 3,2        | 60        | 77        | 17,7             | 0,0074 |
| S16W - 130 | 6                      | 74,6          | 77,7          | 77,6          | < 6                 | 3,2        | 60        | 77        | 21               | 0,0084 |
| S16W - 150 | 6,8                    | 75,7          | 78,8          | 78,6          | < 6                 | 3,1        | 60        | 77        | 23,7             | 0,0098 |

# OVERALL DIMENSIONS

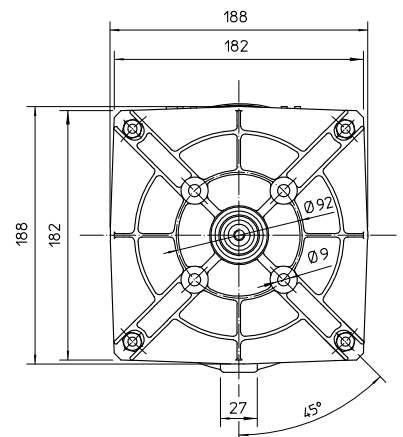
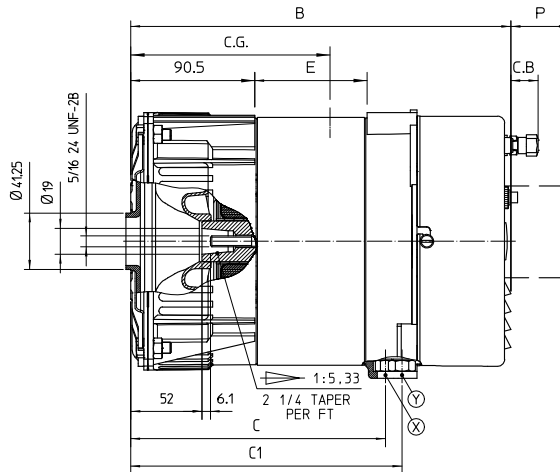
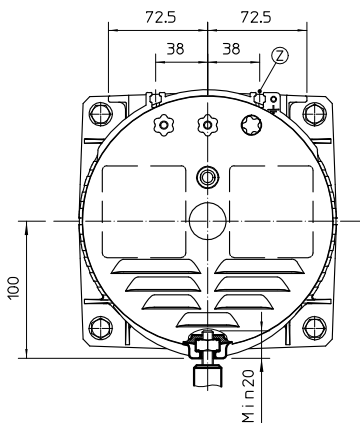


dimensions in mm.

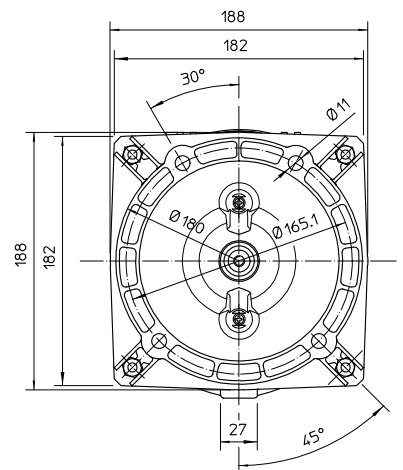
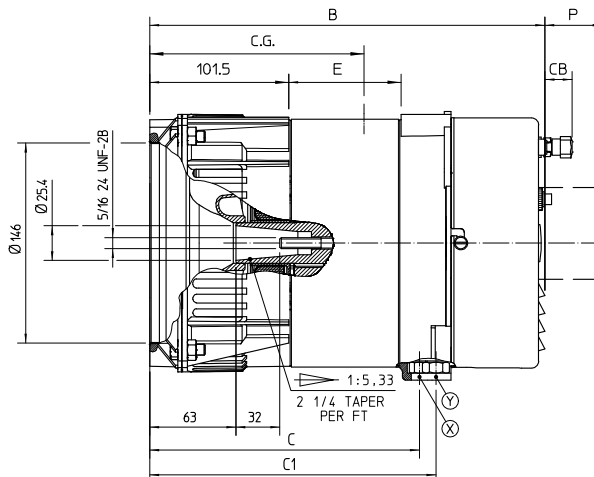
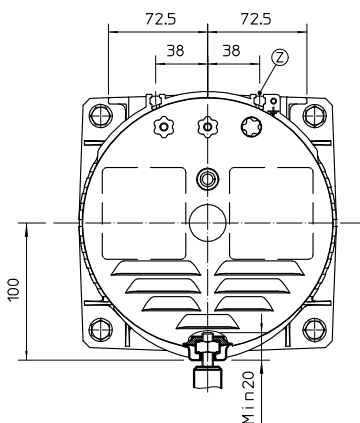
FORMA FORM FORME B9



FORMA FORM FORME J609a



FORMA FORM FORME J609b



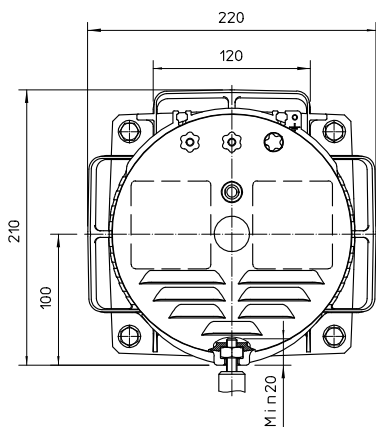
| FORM  | TYPE     | B     | C     | C1    | D     | E   | B WITH SHORTER END COVER WITHOUT SOCKETS | CG  |
|-------|----------|-------|-------|-------|-------|-----|--|-----|
| B9    | S16W-75  | 279   | 186   | 198   | 147,5 | 82  | 249                                      | 140 |
|       | S16W-90  | 294   | 201   | 213   | 162,5 | 97  | 264                                      | 146 |
|       | S16W-105 | 309   | 216   | 228   | 177,5 | 112 | 279                                      | 150 |
|       | S16W-130 | 334   | 241   | 253   | 202,5 | 137 | 304                                      | 162 |
|       | S16W-150 | 354   | 261   | 273   | 222,5 | 157 | 324                                      | 177 |
| J609a | S16W-75  | 278,5 | 185,5 | 197,5 | 147,5 | 82  | 248,5                                    | 139 |
|       | S16W-90  | 293,5 | 200,5 | 212,5 | 162,5 | 97  | 263,5                                    | 145 |
|       | S16W-105 | 308,5 | 216   | 228   | 177,5 | 112 | 278,5                                    | 149 |
|       | S16W-75  | 289,5 | 197   | 209   | 147,5 | 82  | 259,5                                    | 147 |
| J609b | S16W-90  | 304,5 | 212   | 224   | 162,5 | 97  | 274,5                                    | 153 |
|       | S16W-105 | 319,5 | 227   | 239   | 177,5 | 112 | 289,5                                    | 157 |
|       | S16W-130 | 344,5 | 252   | 264   | 202,5 | 137 | 314,5                                    | 169 |
|       | S16W-150 | 364,5 | 272   | 284   | 222,5 | 157 | 334,5                                    | 184 |

| SOCKETS TYPE | P    | WITH BATTERY CHARGING OPTIONAL | X  |                         |
|--------------|------|--------------------------------|--|-------------------------|
| AMERICAN     | 0    |                                |  | CB                      |
| FRENCH       | 6    | Y                              | DADO-NUT-ECROU-MUTTER-TUERCA UNI 5588-M10 25Nm |                         |
| SCHUKO       | 9    | 20                             | Z  | SEAT OF NUT UNI 5588-M5 |
| CEE          | 46,5 |                                |  |                         |

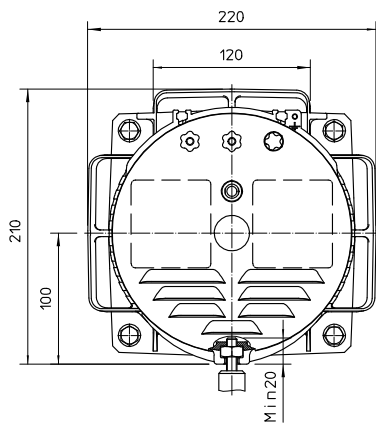
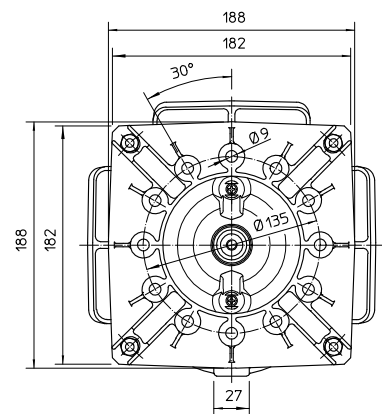
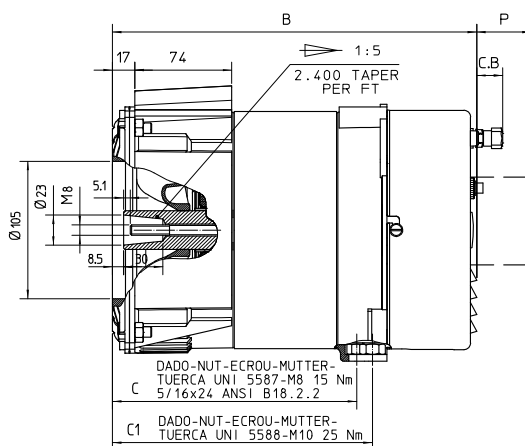
# OVERALL DIMENSIONS IP23



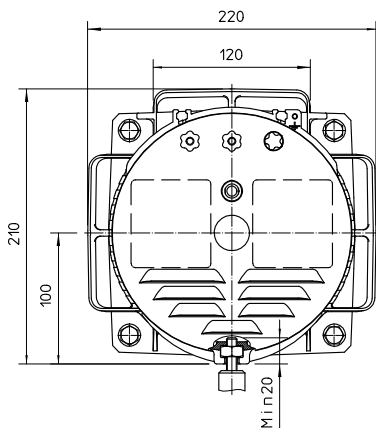
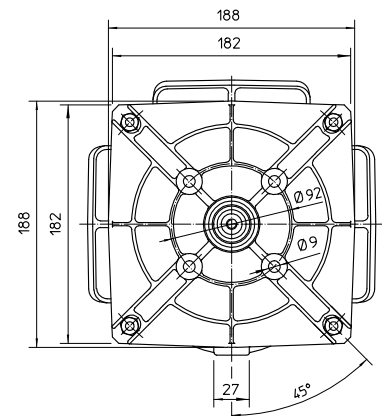
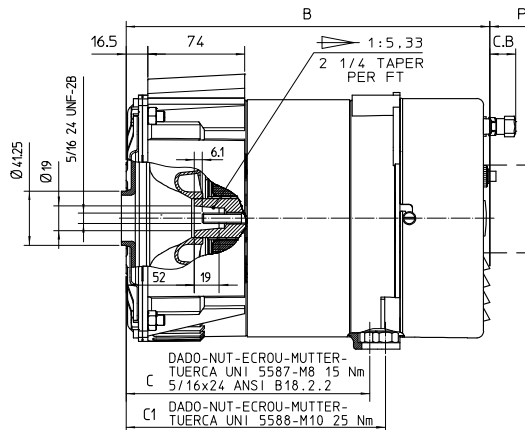
dimensions in mm.



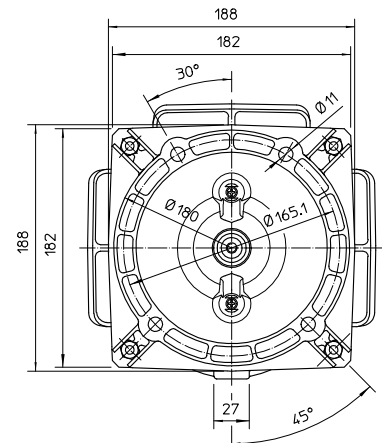
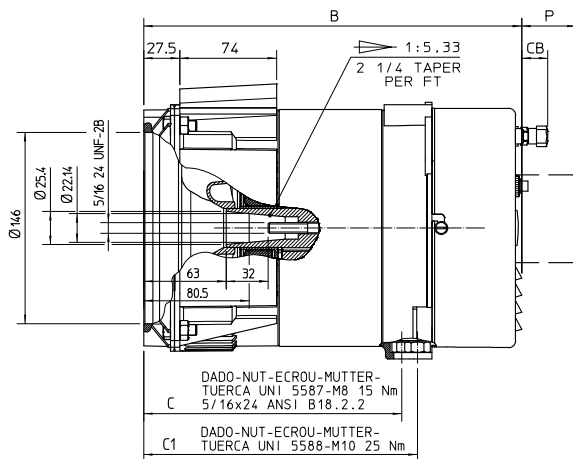
FORMA FORM FORME B9



FORMA FORM FORME J609a



FORMA FORM FORME J609b



| FORM  | TYPE     | B     | C     | C1    | B WITH SHORTER END COVER WITHOUT SOCKETS |
|-------|----------|-------|-------|-------|--|
| B9    | S16W-75  | 279   | 186   | 198   | 249                                      |
|       | S16W-90  | 294   | 201   | 213   | 264                                      |
|       | S16W-105 | 309   | 216   | 228   | 279                                      |
|       | S16W-130 | 334   | 241   | 253   | 304                                      |
|       | S16W-150 | 354   | 261   | 273   | 324                                      |
| J609a | S16W-75  | 278,5 | 185,5 | 197,5 | 248,5                                    |
|       | S16W-90  | 293,5 | 200,5 | 212,5 | 263,5                                    |
|       | S16W-105 | 308,5 | 216   | 228   | 278,5                                    |
| J609b | S16W-75  | 289,5 | 197   | 209   | 259,5                                    |
|       | S16W-90  | 304,5 | 212   | 224   | 274,5                                    |
|       | S16W-105 | 319,5 | 227   | 239   | 289,5                                    |
|       | S16W-130 | 344,5 | 252   | 264   | 314,5                                    |
|       | S16W-150 | 364,5 | 272   | 284   | 334,5                                    |

| SOCKETS TYPE | P    |
|--------------|------|
| AMERICAN     | 0    |
| FRENCH       | 6    |
| SCHUKO       | 9    |
| CEE          | 46,5 |

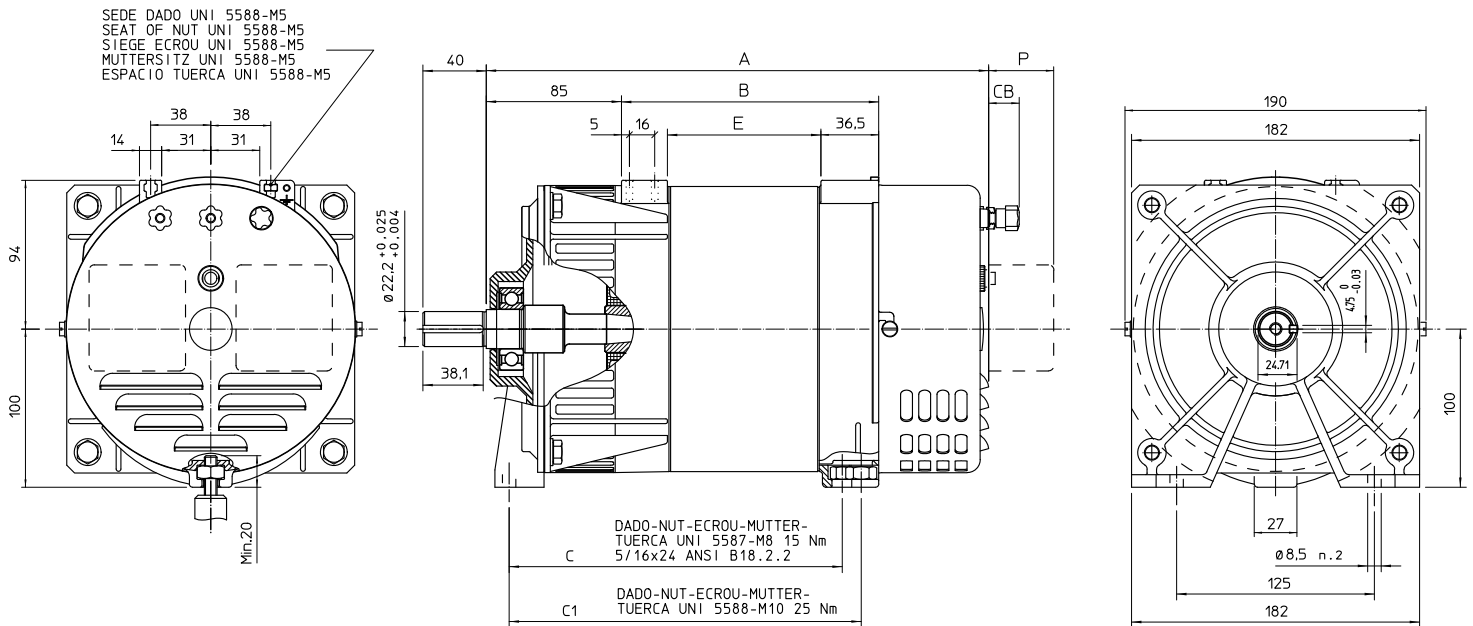
|                                |
|--------------------------------|
| WITH BATTERY CHARGING OPTIONAL |
| CB                             |
| 20                             |

# OVERALL DIMENSIONS B3B14 KIT

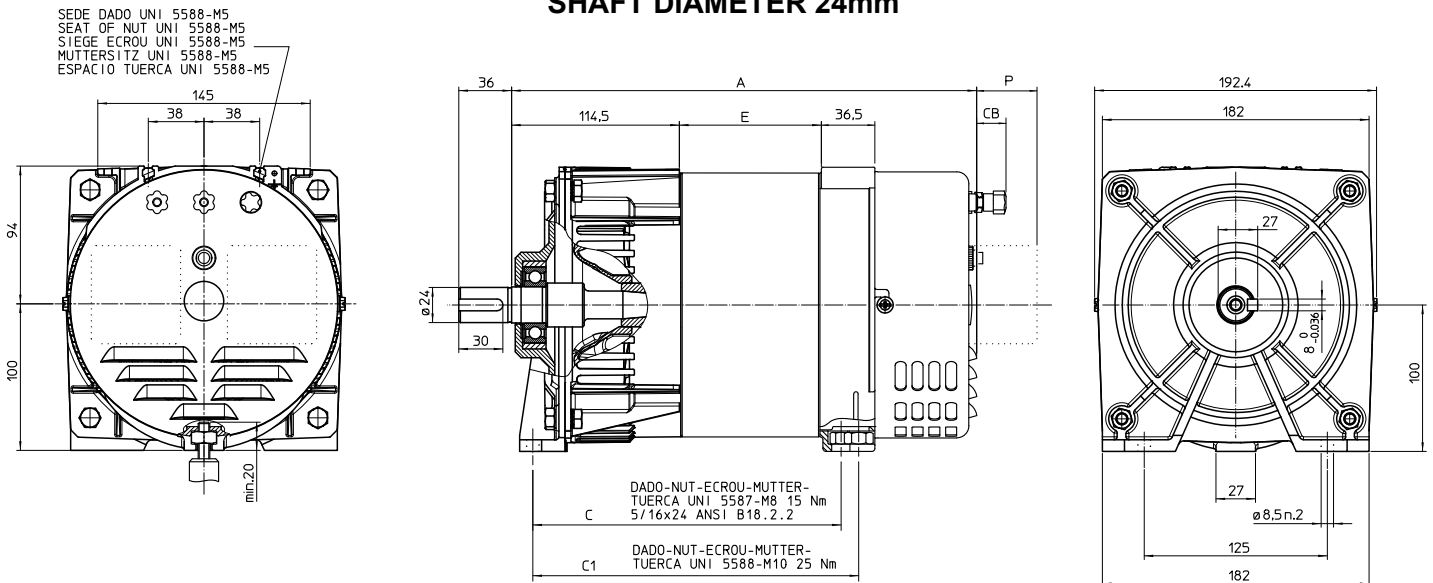


dimensions in mm.

## SHAFT DIAMETER 22,2mm



## SHAFT DIAMETER 24mm



| TYPE     | A   | B   | C   | C1  | E   | A WITH SHORTER END COVER WITHOUT SOCKETS |
|----------|-----|-----|-----|-----|-----|--|
| S16W-75  | 302 | 147 | 195 | 207 | 82  | 272                                      |
| S16W-90  | 317 | 162 | 210 | 222 | 97  | 287                                      |
| S16W-105 | 332 | 177 | 225 | 237 | 112 | 302                                      |
| S16W-130 | 357 | 202 | 250 | 262 | 137 | 327                                      |
| S16W-150 | 377 | 222 | 270 | 282 | 157 | 347                                      |

| SOCKETS TYPE | P    |
|--------------|------|
| AMERICAN     | 0    |
| FRENCH       | 6    |
| SCHUKO       | 9    |
| CEE          | 46,5 |

|                                |
|--------------------------------|
| WITH BATTERY CHARGING OPTIONAL |
| CB                             |
| 20                             |