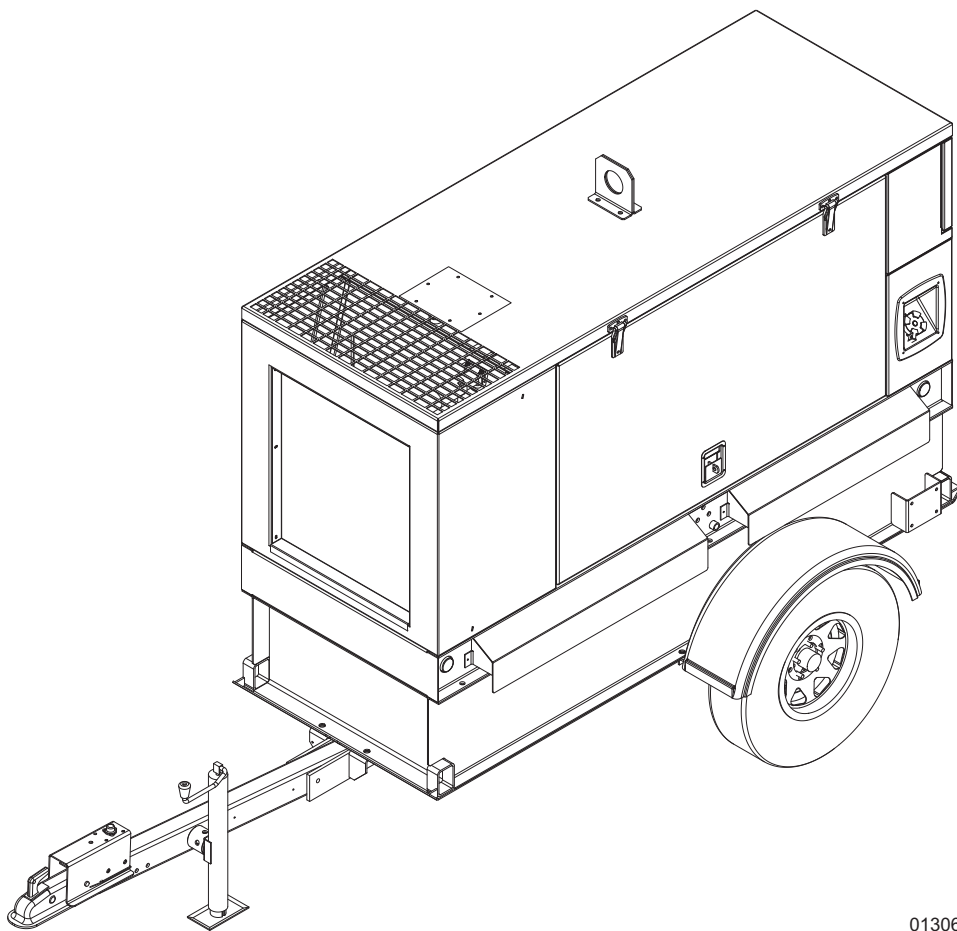


DIESEL GENERATOR
MMG25IF4 • MMG35DF4
MMG45IF4 • MMG55DF4
With **Power Zone™** Controller



01306

OPERATING MANUAL

⚠ WARNING

CALIFORNIA PROPOSITION 65 WARNING: Diesel engine exhaust and some of its constituents are known to the state of California to cause cancer, birth defects, and other reproductive harm. (000004)

⚠ WARNING

CALIFORNIA PROPOSITION 65 WARNING: This product contains or emits chemicals known to the state of California to cause cancer, birth defects, and other reproductive harm. (000005)

⚠ WARNING

ENVIRONMENTAL HAZARD: Always recycle batteries at an official recycling center in accordance with all local laws and regulations. Failure to do so could result in environmental damage, death or serious injury. (000228)

Introduction

This manual provides information and procedures to safely operate and maintain the Generac Mobile Products unit. For your own safety and protection from physical injury, carefully read, understand, and observe the safety instructions described in this manual. Keep a copy of this manual with the unit at all times. Additional copies are available from Generac Mobile Products, or can be found at www.generacmobile.com. *The information contained in this manual was based on machines in production at the time of publication. Generac Mobile Products reserves the right to change any portion of this information without notice.*

Read all of the manuals included with the unit. Each manual details specific information regarding items such as setup, use and service requirements. An engine operator's manual provides detailed operation and maintenance procedures for the engine. Additional copies of the engine operator's manual are available from the engine manufacturer.

DO NOT MODIFY or use this equipment for any application other than for which it was designed.

Only a trained and licensed electrician should perform wiring and connections to unit. Wiring must be in compliance with National Electrical Code (NEC), state and local regulations, as well as Occupational Safety and Health Administration (OSHA) guidelines.

GENERAC MOBILE PRODUCTS LLC

215 Power Drive • Berlin, WI 54923

U.S.A.

Phone: 920-361-4442

FAX: 920-361-4416

Toll Free: 1-800-926-9768

www.generacmobile.com

For technical or parts QUESTIONS, please contact the Generac Mobile Products Customer Support or Technical Support team at 1-800-926-9768. Please have your serial number available.

To ORDER SERVICE PARTS, please contact the dealer from which you purchased the unit, or call Generac Mobile Products to locate a dealer in your area.

Engine Make: _____

Engine Serial Number: _____

Engine Model Number: _____

Generator Make: _____

Generator Model Number: _____

Generator Serial Number: _____

Unit Model Number: _____

Unit Serial Number: _____

This Page Intentionally Left Blank

Table of Contents

Introduction	iii
Section 1 - Safety	
Safety Notes	1
Operating Safety.....	1
Engine Safety	2
Service Safety	2
Towing Safety.....	3
Reporting Trailer Safety Defects	3
Safety Symbol Summary	4
Section 2 - General Information	
Specifications	5
Unit Dimensions	9
Unit Serial Number Locations	10
Component Locations	11
Control Panel	12
Power Zone™ Gen Controller	14
Controller Features and Functions	14
Operator Screens	15
Maintenance Screens	18
Generator Monitoring.....	21
Engine Monitoring.....	21
Controller Information Displays, Functions and Reset	21
Belt Tensioners.....	22
Section 3 - Operation	
Prestart Checklist	23
Manual Starting of the Unit.....	23
Auto (Remote) Starting of the Unit	24
Derating for Altitude	25
Generator Output Connection Lugs.....	25
Fine Voltage Adjustment	26
Voltage Selector Switch.....	27
Voltage Regulation	28
Customer Convenience Receptacles	28
Main Circuit Breaker	29
Exhaust Filter Cleaning Operations.....	30
Disable Automatic (Auto) Exhaust Filter Cleaning.....	30
Force a Manual Exhaust Filter Cleaning	30
Enable Exhaust Filter Cleaning	31
Transfer Switch.....	31
Auto Exercise Timer	32
Accessing the Configuration Menu	32
Set the Controller Clock.....	32
Set the Schedule	33
Set the Unit to Auto Mode	33
Shutting Down the Unit.....	33
Emergency Stop Switch	34
Idle Switch (MMG25I-45I only)	34
Towing the Unit.....	34
Lifting the Unit.....	35

Section 4 - Maintenance	
Emissions Information	37
Daily Walk Around Inspection.....	37
General Maintenance	37
Basic Maintenance Schedule - Isuzu Engine	39
Basic Maintenance Schedule - John Deere Engine	40
Isuzu Engine Break-In Requirements.....	41
John Deere Engine Break-In Requirements.....	41
Resetting the Maintenance Alarms.....	41
Checking Generator Drive Plate Torque	42
Jack Maintenance.....	43
Side-Wind Models	43
Top-Wind Models	43
Trailer Wheel Bearings	43
Section 5 - Troubleshooting	
Troubleshooting Automatic Shutdown Conditions.....	45
Low Fuel Level Shutdown	45
Low Oil Pressure Shutdown	45
Low Coolant Level Shutdown	45
High Coolant Temperature Shutdown	45
Section 6 - Wiring Diagrams	
AC Wiring - MMG25IF4, MMG45IF4	47
AC Wiring - MMG35DF4, MMG55DF4	48
AC Wiring - 4 Pos. Voltage Selector Switch Option - MMG25IF4, MMG45IF4	49
AC Wiring - 4 Pos. Voltage Selector Switch Option - MMG35DF4, MMG55DF4	50
AC Wiring Option - Standard Receptacles	51
AC Wiring Option - Engine Heater.....	51
AC Wiring Option - Buck Transformer	52
AC Wiring Option - PMG	52
DC Wiring	53
Trailer Lights Wiring	54
Wiring Harness - Electric Brake Option	55
DC Wiring Option - 12V Battery Charger.....	56
DC Wiring Option - Low Oil Level.....	56
Section 7 - Options & Accessories	
Generator Cam Lock Connections Option.....	57
Viscous Fan Clutch Option	58
Service Log	59

Section 1 - Safety

SAFETY NOTES



This is the safety alert symbol. It is used to alert you to potential personal injury hazards. Obey all safety messages that follow this symbol to avoid possible injury or death.

This manual contains DANGERS, WARNINGS, CAUTIONS, NOTICES and NOTES which must be followed to prevent the possibility of improper service, damage to the equipment, personal injury or death. The following formatting options will apply when calling the readers attention to the DANGERS, WARNINGS, CAUTIONS, NOTICES and NOTES.

▲ DANGER

INDICATES A HAZARDOUS SITUATION WHICH, IF NOT AVOIDED, WILL RESULT IN DEATH OR SERIOUS INJURY.

▲ WARNING

Indicates a hazardous situation which, if not avoided, could result in death or serious injury.

▲ CAUTION

Indicates a hazardous situation which, if not avoided, could result in minor or moderate injury.

NOTICE

Indicates a hazardous situation which, if not avoided, could result in property or equipment damage.

Note: Notes contain additional information important to a procedure and will be found within the regular text body of this manual.

OPERATING SAFETY



Before using the unit, be sure you read and understand all of the instructions. This equipment was designed for specific applications; **DO NOT** modify or use this equipment for any application other than which it was designed for. Equipment operated improperly or by untrained personnel can be dangerous. Read the operating instructions and familiarize yourself with the location and proper use of all instruments and controls. Inexperienced operators should receive instruction from someone familiar with the equipment before being allowed to operate or set up the unit. The following points should be practiced at all times:

- The area immediately surrounding the unit should be dry, clean, and free of debris.
- Position and operate the unit on a firm, level surface.
- **DO NOT** start a unit in need of repair.
- If the unit is equipped with a frame grounding stud, follow any local, state, and National Electrical Code (NEC) guidelines when connecting.
- **DO NOT** operate the unit on a combustible surface.
- **DO NOT** operate a unit while tired, distracted, or under the influence of drugs or alcohol.
- Keep all body parts, clothing and other loose items away from moving parts.
- **DO NOT** fill fuel tank near an open flame, while smoking, or while engine is running. **DO NOT** fill tank in an enclosed area with poor ventilation.
- **DO NOT** operate with the fuel tank cap loose or missing.
- Shut the engine down if any of the following conditions exist during operation:

1. Noticeable change in engine speed.
2. Loss of electrical output.
3. Equipment connected to the unit overheats.
4. Sparking occurs.
5. Engine misfires or there is excessive engine/generator vibration.
6. Protective covers are loose or missing.
7. If the ambient air temperature is above 120°F (49°C).

ENGINE SAFETY



Internal combustion engines present special hazards during operation and fueling. Failure to follow the safety guidelines described below could result in severe injury or death. Read and follow all safety warnings described in the engine operator's manual. A copy of this manual was supplied with the unit when it was shipped from the factory.

- **DO NOT** run engine indoors or in an area with poor ventilation unless exhaust hoses are used. Engine exhaust contains carbon monoxide, a deadly, odorless and colorless gas which, if inhaled, can cause nausea, fainting or death. Make sure engine exhaust cannot seep into closed rooms or ventilation equipment.
- **DO NOT** touch or lean against hot exhaust pipes or engine components.
- **DO NOT** clean air filter with gasoline or other types of low flash point solvents.
- **DO NOT** operate the unit without a functional exhaust system.
- Prolonged exposure to sound levels in excess of 85 dB(A) can cause permanent hearing loss. Wear hearing protection when working around a running engine.
- Batteries contain sulfuric acid which can cause severe injury or death. Sulfuric acid can cause eye damage, burn flesh or eat holes in clothing. Protective eye wear and clothing are necessary when working on or around the battery. Always disconnect the negative (-) battery cable from the corresponding terminal before performing any service on the engine or other components.
- **DO NOT** open the radiator cap or oil drain plug while the engine is running or before the engine has cooled down. Pressurized coolant and hot engine oil can cause severe burns. Allow the unit to cool completely before attempting any service work.
- Keep area around exhaust pipes and air ducts free of debris to reduce the chance of an accidental fire.

SERVICE SAFETY



All service work must be performed by qualified personnel who are familiar with the equipment. Only a qualified electrician should troubleshoot or repair electrical problems occurring in this equipment. Follow the safety guidelines described below to prevent hazardous situations which could result in severe injury or death.

- **NEVER** wash the unit with high pressure hoses, power washers, or steam cleaners. Water may collect in the unit, causing damage to electrical parts.
- **ALWAYS** use extreme caution when servicing this unit in damp conditions. Do not service the unit if your skin or clothing is wet. Do not allow water to collect around the base of the unit.
- Replace all missing and hard to read decals. Decals provide important operating instructions and warn of dangers and hazards.
- Before servicing the unit, verify the Control Power switch and circuit breakers are in the OFF (O) position, and the negative (-) terminal on the battery is disconnected. **DO NOT** perform even routine service (oil/filter changes, cleaning, etc.) unless all electrical components are shut down.

- **DO NOT** start the unit under load. The circuit breakers must be in the OFF (O) position when starting the unit in Manual mode. The circuit breakers can be in the ON (I) position only when started in the Auto mode. A transfer switch must be used in the Auto mode to deflect the load upon startup.

TOWING SAFETY



Towing a trailer requires care. Both the trailer and vehicle must be in good condition and securely fastened to each other to reduce the possibility of an accident. Some states require that large trailers be registered and licensed. Contact your local Department of Transportation office to check on license requirements for your particular unit.

- Verify the hitch and coupling on the towing vehicle are rated equal to, or greater than, the trailer's Gross Vehicle Weight Rating (GVWR).
- Check trailer tires for wear and proper inflation.
- **DO NOT** tow trailer using defective parts. Inspect the hitch and coupling for wear or damage.
- Verify the trailer hitch and the coupling are compatible. Make sure the coupling is securely fastened to the vehicle.
- Verify directional and brake lights on the trailer are connected and working properly.
- Verify wheel lug nuts are present and tightened to the specified torque.
- Maximum recommended speed for highway towing is 45 mph (72 km/h). Recommended off-road towing speed is 10 mph (16 km/h) or less, depending on terrain.
- When towing, maintain extra space between vehicles and avoid soft shoulders, curbs and sudden lane changes. Practice turning, stopping and backing up in an area away from heavy traffic prior to transporting the unit.
- Wipe the coupler clean and apply fresh grease each time the trailer is towed to eliminate squeaking.
- Connect safety chains in a crossing pattern under the tongue and **ATTACH THE BREAKAWAY CABLE TO THE REAR BUMPER OF THE TOWING VEHICLE**. Do not attach the cable to the trailer hitch.
- Before towing the trailer, verify that the weight of the trailer is equal across all tires. On trailers with adjustable height hitches, adjust the angle of the trailer tongue to keep the trailer as level as possible. On units equipped with a tandem axle trailer, a large angle between the trailer and tow vehicle will cause more weight to be carried by one axle, which could cause premature wear on the tires and axles and cause potentially unsafe operating conditions.
- The trailer is equipped with hydraulic or electric surge brakes. Verify proper operation of the brakes by braking the vehicle at a slow speed before entering traffic. Both the trailer and the vehicle should brake smoothly. If the trailer seems to be pushing, verify the level in the brake fluid reservoir, if equipped.

REPORTING TRAILER SAFETY DEFECTS

If you believe your trailer has a defect which could cause a crash or could cause injury or death, you should immediately inform the National Highway Traffic Safety Administration (NHTSA) in addition to notifying Generac Mobile Products.

If NHTSA receives similar complaints, it may open an investigation; and if it finds that a safety defect exists in a group of vehicles, it may order a recall and remedy campaign. However, NHTSA cannot become involved in an individual problem between you, your dealer, or Generac Mobile Products.
























To contact NHTSA, you may either call the Auto Safety Hotline toll-free at 1-888-327-4236 (TTY:1-800-424-9153), go to <http://www.safercar.gov>; or write to:

Administrator
NHTSA
1200 New Jersey Avenue S.E.
Washington, DC 20590

You can also obtain other information about motor vehicle safety from <http://www.safercar.gov>.

SAFETY SYMBOL SUMMARY

This equipment has been supplied with numerous safety and operating decals. These decals provide important operating instructions and warn of dangers and hazards. Replace any missing or hard-to-read decals and use care when washing or cleaning the unit. Decal placement and part numbers can be found in the online parts manual at www.generacmobile.com. Below is a summary of the intended meanings for the symbols used on the decals.

	Safety alert symbol; used to alert you to potential hazards.		Asphyxiation hazard; operate in well ventilated area.		Belt/entanglement hazard; keep body parts clear of this area.
	Hot surface(s) nearby.		Burn/scald hazard; pressurized steam.		Never change phase switch position while engine is running.
	Dangerous voltage may be present.		Anchor/tie down point.		Do not remove guard.
	Check diesel fuel fill level.		Disconnect battery before servicing.		Fire/explosion hazard; keep open flames away from unit.
	Read and understand the operator's manual before operating.		Unit electrical ground.		Lift here only.
	Stop engine.		Isolate generator to prevent electrocution hazard.		Never change switch position while engine is running.
	Battery is disconnected.		Automatic Start.		Fan hazard; keep body parts clear of this area.
	Engine running.		Force Exhaust Regeneration.		

01879

Figure 1-1. Decal Safety Symbol Summary

Section 2 - General Information

SPECIFICATIONS

GENERAC MODEL

MMG25IF4

Engine

Make/Brand.....	Isuzu
Model.....	4LE2TAGV-03
EPA Tier.....	F4
Horsepower - prime hp (kW)	36.2 (27.0)
Horsepower - standby hp (kW)	40.2 (30.0)
Operating Speed rpm	1800
Displacement in³ (L)	133 (2.18)
Cylinders - qty.....	4
Fuel Consumption - 100% prime gph (Lph)	2.1 (7.8)
Battery Type.....	24
Battery Voltage (Quantity per Unit).....	12V (1)
Battery Rating.....	720 CCA

Generator

Make/Brand.....	Marathon Electric
Model.....	283PSL1707
Type, Insulation.....	Brushless, H

Generator Set (Engine/Generator)

3Ø - Standby kW (kVA)	26 (32)
Amps - 3Ø Standby 480V (208V) A	38 (89)
3Ø - Prime kW (kVA)	23 (29)
Amps - 3Ø Prime 480V (208V) A	35 (80)
1Ø - Standby kW (kVA)	24 (24)
Amps - 1Ø Standby - 240V A	100
1Ø - Prime kW (kVA)	22 (22)
Amps - 1Ø Prime - 240V A	92
Frequency Hz	60
Power Factor.....	1 (1Ø), 0.8 (3Ø)
Sound dB(A) 23 ft @ prime	66

Weights

Dry Weight, Skid Mounted lbs (kg)	2430 (1102)
Operating Weight, Skid Mounted lbs (kg)	3160 (1433)
Dry Weight, Trailer Mounted* lbs (kg)	2950 (1338)
Operating Weight, Trailer Mounted* lbs (kg)	3680 (1669)

*Standard trailer only. Consult factory for custom trailer weights.

Capacities

Fuel Tank Volume gal (L)	100 (379)
Usable Fuel Volume gal (L)	90 (341)
Coolant (incl. engine) qt (L)	18 (17)
Oil (incl. filter) qt (L)	11 (10.4)
Maximum Run Time hrs	42.9

AC Distribution

Circuit Breaker Size.....	125
Voltage Selection.....	3 position switch (lockable)
Voltage Regulation.....	+/- 0.5%
Voltages Available 1Ø.....	120, 139, 208, 220, 240, 277
Voltages Available 3Ø.....	208, 220, 440, 480

Trailer

Number of Axles.....	1
Capacity - Axle Rating lbs (kg)	5000 (2268)
Tire Size in	15
Brakes.....	Surge
Hitch - Standard.....	2" ball
Maximum Tire Pressure psi	65

Specifications are subject to change without notice.

General Information

GENERAC MODEL

MMG35DF4

Engine

Make/Brand.....	John Deere
Model	3029HFG03
EPA Tier	F4
Horsepower - prime hp (kW)	44 (33)
Horsepower - standby hp (kW)	48 (36)
Operating Speed rpm	1800
Displacement in³ (L)	177 (2.9)
Cylinders - qty	3
Fuel Consumption - 100% prime gph (Lph)	2.9 (11.0)
Battery Type.....	24
Battery Voltage (Quantity per Unit)	12V (1)
Battery Rating	720 CCA

Generator

Make/Brand.....	Marathon Electric
Model	284CSL1542
Type, Insulation.....	Brushless, H

Generator Set (Engine/Generator)

3Ø - Standby kW (kVA)	31 (39)
Amps - 3Ø Standby 480V (208V) A	47 (108)
3Ø - Prime kW (kVA)	29 (36)
Amps - 3Ø Prime 480V (208V) A	43 (100)
1Ø - Standby kW (kVA)	30 (30)
Amps - 1Ø Standby - 240V A	125
1Ø - Prime kW (kVA)	27 (27)
Amps - 1Ø Prime - 240V A	113
Frequency Hz	60
Power Factor.....	1 (1Ø), 0.8 (3Ø)
Sound dB(A) 23 ft @ prime	68

Weights

Dry Weight, Skid Mounted lbs (kg)	3125 (1418)
Operating Weight, Skid Mounted lbs (kg)	3860 (1751)
Dry Weight, Trailer Mounted* lbs (kg)	3725 (1690)
Operating Weight, Trailer Mounted* lbs (kg)	4460 (2023)

*Standard trailer only. Consult factory for custom trailer weights.

Capacities

Fuel Tank Volume gal (L)	100 (379)
Usable Fuel Volume gal (L)	90 (341)
Coolant (incl. engine) qt (L)	18 (17)
Oil (incl. filter) qt (L)	11 (10.4)
Maximum Run Time hrs	31

AC Distribution

Circuit Breaker Size	125
Voltage Selection	3 position switch (lockable)
Voltage Regulation.....	+/- 1%
Voltages Available 1Ø	120, 139, 208, 220, 240, 277
Voltages Available 3Ø	208, 220, 440, 480

Trailer

Number of Axles.....	1
Capacity - Axle Rating lbs (kg)	6000 (2722)
Tire Size in	15
Brakes.....	Surge
Hitch - Standard.....	2" ball
Maximum Tire Pressure psi	65

Specifications are subject to change without notice.

GENERAC MODEL

MMG45IF4

Engine

Make/Brand.....	Isuzu
Model	4LE2XAGV01
EPA Tier	F4
Horsepower - prime hp (kW)	57 (42.8)
Horsepower - standby hp (kW)	63.7 (47.5)
Operating Speed rpm	1800
Displacement in³ (L)	134 (2.2)
Cylinders - qty	4
Fuel Consumption - 100% prime gph (Lph)	3.3 (12.5)
Battery Type.....	35/55
Battery Voltage (Quantity per Unit)	12V (1)
Battery Rating	720 CCA

Generator

Make/Brand.....	Marathon Electric
Model	285PSL1700
Type, Insulation.....	Brushless, H

Generator Set (Engine/Generator)

3Ø - Standby kW (kVA)	44 (55)
Amps - 3Ø Standby 480V (208V) A	66 (153)
3Ø - Prime kW (kVA)	38 (47)
Amps - 3Ø Prime 480V (208V) A	57 (130)
1Ø - Standby kW (kVA)	40 (40)
Amps - 1Ø Standby - 240V A	167
1Ø - Prime kW (kVA)	33 (33)
Amps - 1Ø Prime - 240V A	138
Frequency Hz	60
Power Factor.....	1 (1Ø), 0.8 (3Ø)
Sound dB(A) 23 ft @ prime	66

Weights

Dry Weight, Skid Mounted lbs (kg)	2843 (1290)
Operating Weight, Skid Mounted lbs (kg)	3580 (1624)
Dry Weight, Trailer Mounted* lbs (kg)	3363 (1525)
Operating Weight, Trailer Mounted* lbs (kg)	4100 (1860)

*Standard trailer only. Consult factory for custom trailer weights.

Capacities

Fuel Tank Volume gal (L)	100 (379)
Usable Fuel Volume gal (L)	90 (341)
Coolant (incl. engine) qt (L)	18 (17)
Oil (incl. filter) qt (L)	12 (11.4)
Maximum Run Time hrs	27

AC Distribution

Circuit Breaker Size	225
Voltage Selection	3 position switch (lockable)
Voltage Regulation.....	+/- 0.5%
Voltages Available 1Ø	120, 139, 208, 220, 240, 277
Voltages Available 3Ø	208, 220, 440, 480

Trailer

Number of Axles.....	1
Capacity - Axle Rating lbs (kg)	5000 (2268)
Tire Size in	15
Brakes.....	Surge
Hitch - Standard.....	2" ball
Maximum Tire Pressure psi	65

Specifications are subject to change without notice.

General Information

GENERAC MODEL

MMG55DF4

Engine

Make/Brand.....	John Deere
Model	3029HFG03
EPA Tier	F4
Horsepower - prime hp (kW)	67 (50)
Horsepower - standby hp (kW)	74 (55)
Operating Speed rpm	1800
Displacement in³ (L)	177 (2.9)
Cylinders - qty	3
Fuel Consumption - 100% prime gph (Lph)	3.9 (14.8)
Battery Type.....	24
Battery Voltage (Quantity per Unit)	12V (1)
Battery Rating	720 CCA

Generator

Make/Brand.....	Marathon Electric
Model	286PSL1701
Type, Insulation.....	Brushless, H

Generator Set (Engine/Generator)

3Ø - Standby kW (kVA)	48 (60)
Amps - 3Ø Standby 480V (208V) A	72 (167)
3Ø - Prime kW (kVA)	44 (55)
Amps - 3Ø Prime 480V (208V) A	66 (153)
1Ø - Standby kW (kVA)	46 (46)
Amps - 1Ø Standby - 240V A	192
1Ø - Prime kW (kVA)	42 (42)
Amps - 1Ø Prime - 240V A	175
Frequency Hz	60
Power Factor.....	1 (1Ø), 0.8 (3Ø)
Sound dB(A) 23 ft @ prime	68

Weights

Dry Weight, Skid Mounted lbs (kg)	3305 (1499)
Operating Weight, Skid Mounted lbs (kg)	4040 (1833)
Dry Weight, Trailer Mounted* lbs (kg)	3905 (1771)
Operating Weight, Trailer Mounted* lbs (kg)	4640 (2105)

*Standard trailer only. Consult factory for custom trailer weights.

Capacities

Fuel Tank Volume gal (L)	100 (379)
Usable Fuel Volume gal (L)	90 (341)
Coolant (incl. engine) qt (L)	18 (17)
Oil (incl. filter) qt (L)	11 (10.4)
Maximum Run Time hrs	23

AC Distribution

Circuit Breaker Size	225
Voltage Selection	3 position switch (lockable)
Voltage Regulation	+/- 1%
Voltages Available 1Ø	120, 139, 208, 220, 240, 277
Voltages Available 3Ø	208, 220, 440, 480

Trailer

Number of Axles.....	1
Capacity - Axle Rating lbs (kg)	6000 (2722)
Tire Size in	15
Brakes.....	Surge
Hitch - Standard	2" ball
Maximum Tire Pressure psi	65

Specifications are subject to change without notice.

Unit Dimensions

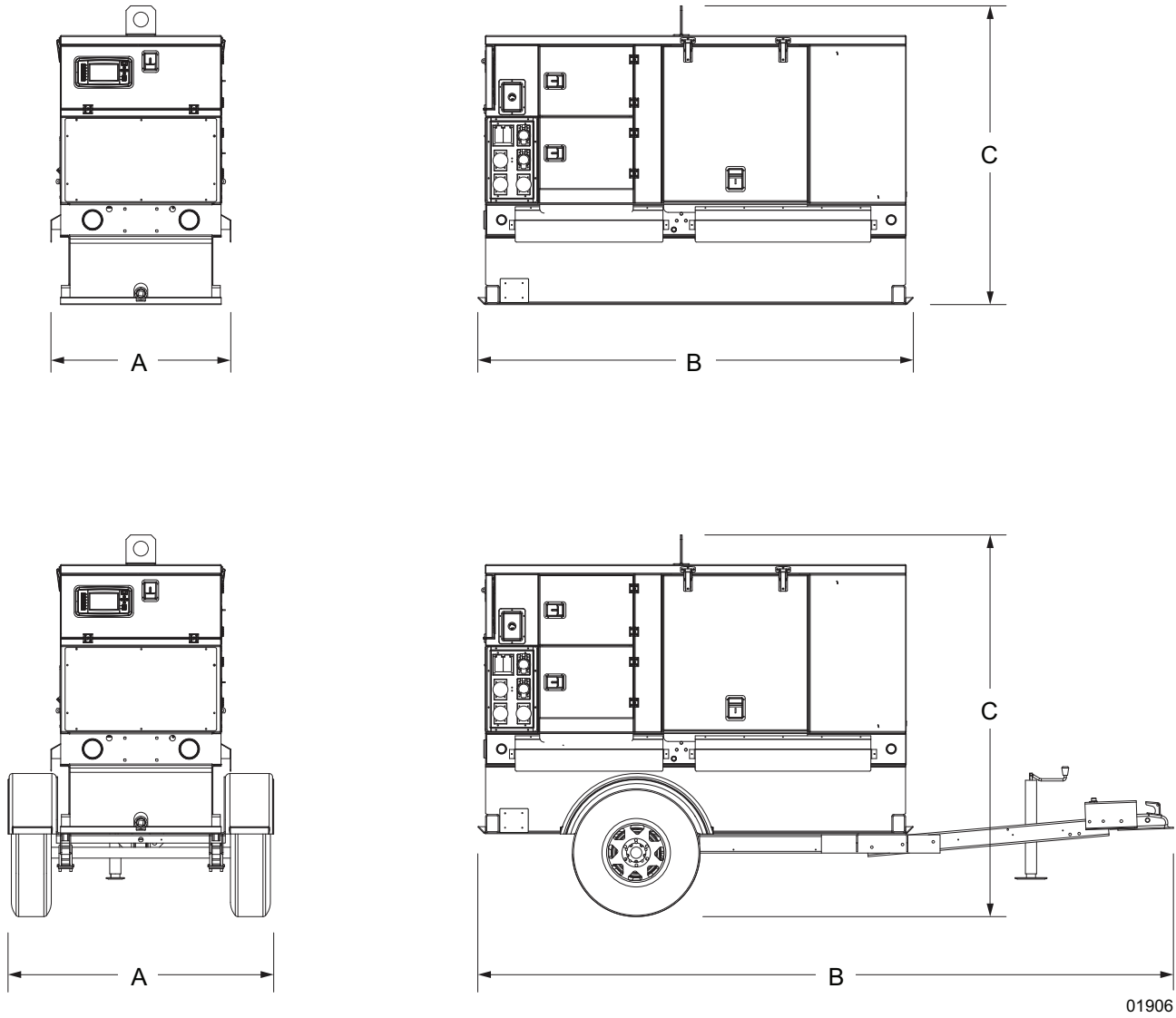


Figure 2-1. Unit Dimensions

	A (Width)	B (Length)	C (Height)
MMG25IF4/35DF4/45IF4/55DF4 - Skid Mounted	39 in. (.99 m)	95 in. (2.41 m)	65 in. (1.65 m)
MMG25IF4/35DF4/45IF4/55DF4 - Trailer Mounted	58 in. (1.45 m)	152 in. (3.81 m)	83 in. (2.11 m)

Specifications are subject to change without notice.

UNIT SERIAL NUMBER LOCATIONS

See **Figure 2-2** for unit ID tag and Vehicle Identification Number (VIN) tag on the unit. Important information, such as the unit serial number, model number, VIN and tire loading information are found on these tags. Record the information from these tags so it is available if the tags are lost or damaged. When ordering parts or requesting assistance, you may be asked to provide this information.

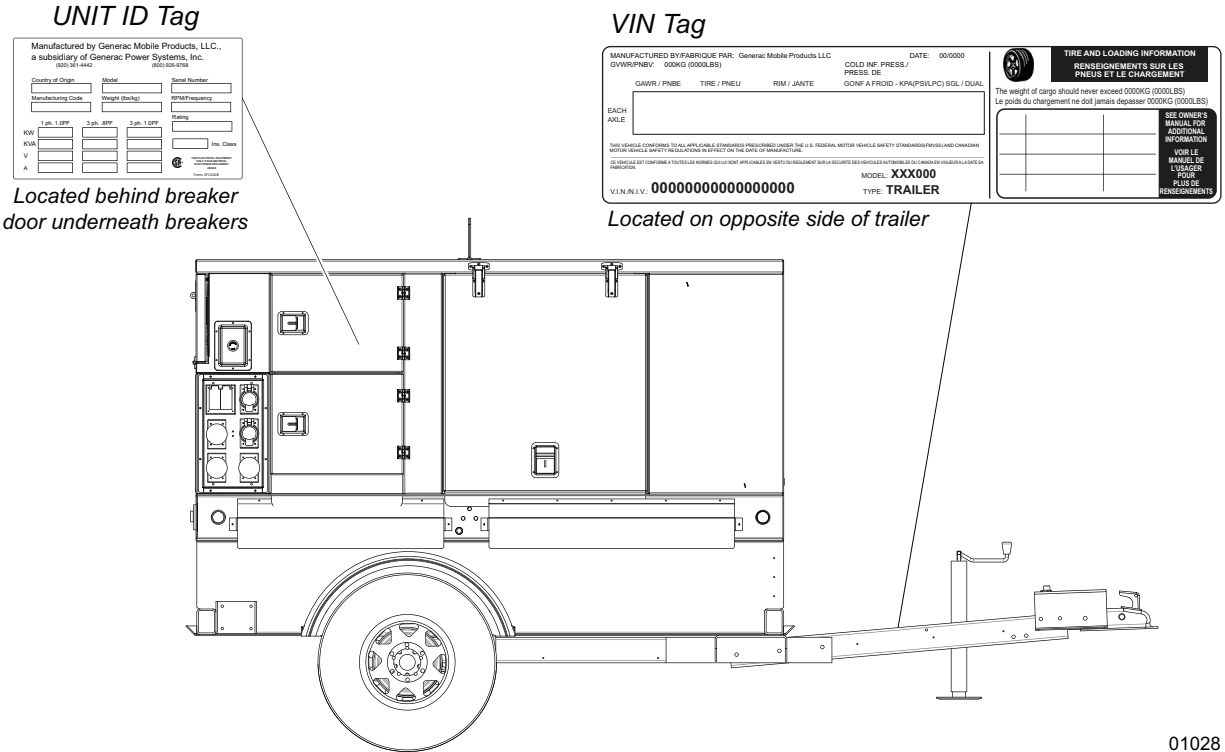
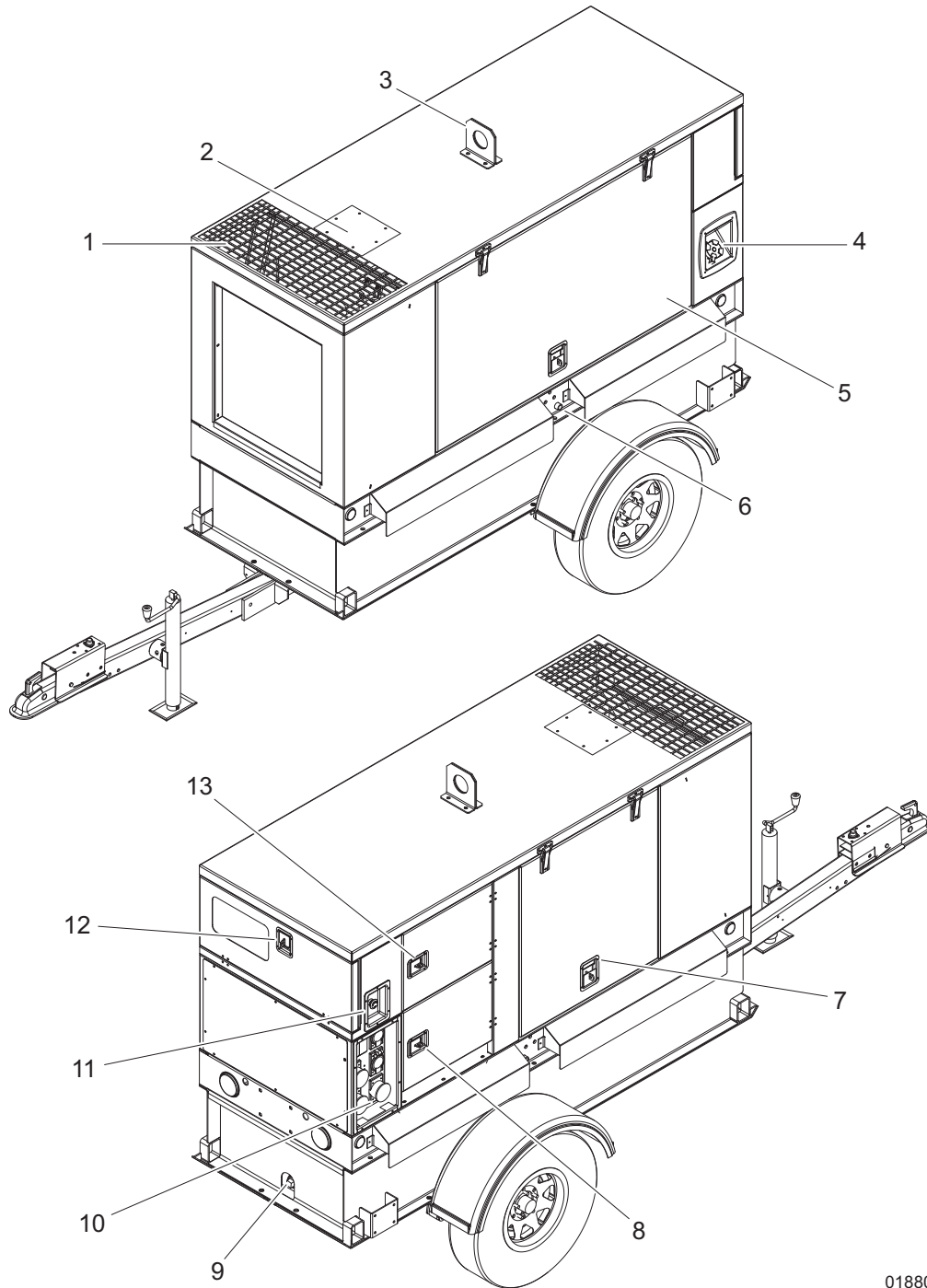


Figure 2-2. Serial Number Locations

COMPONENT LOCATIONS

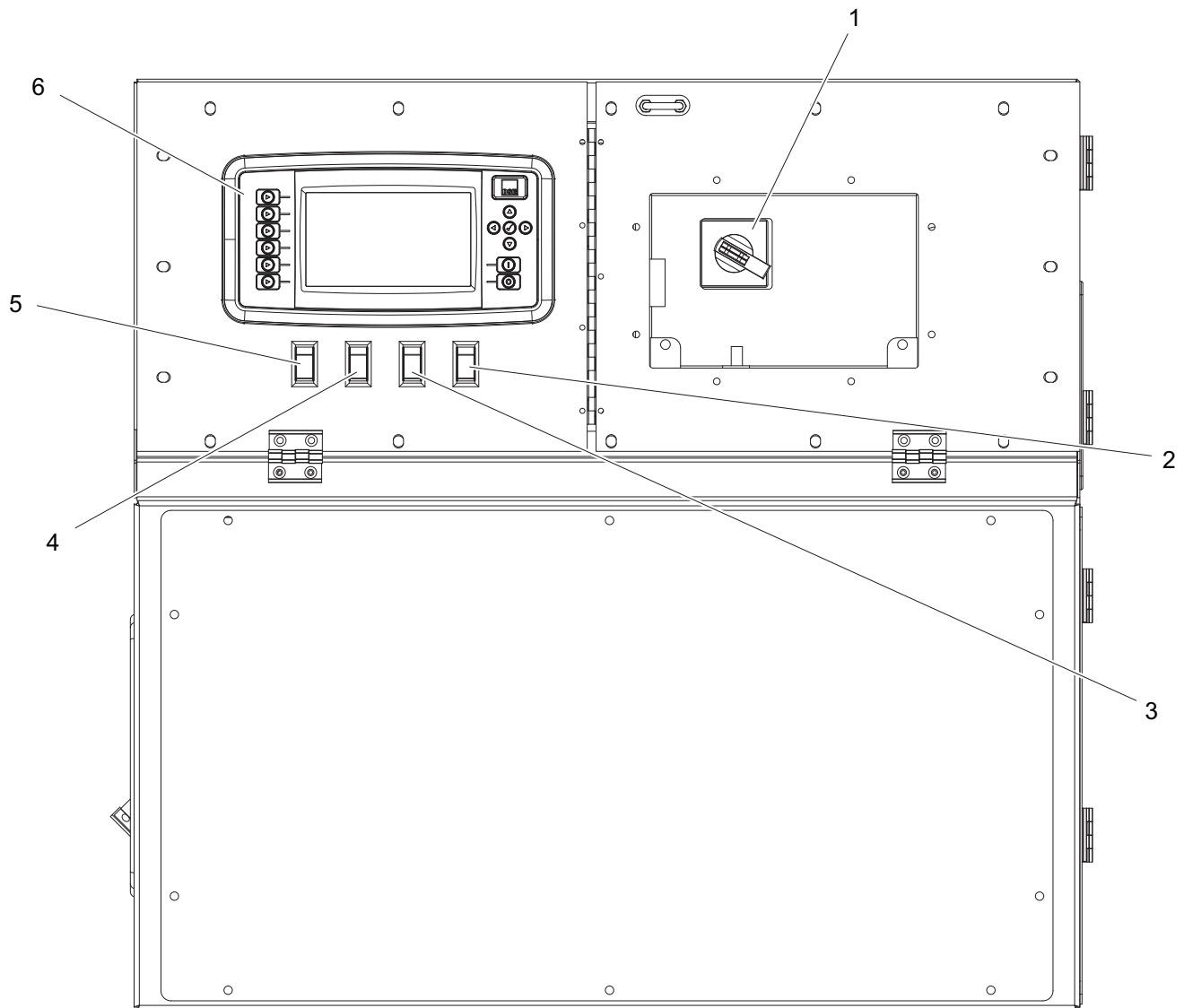


01880

Figure 2-3. Component Locations

- | | |
|------------------------------|--------------------------------------|
| 1. Engine exhaust | 8. Lug box panel access |
| 2. Radiator access panel | 9. Containment drain/fuel drain port |
| 3. Central lift point | 10. Receptacle panel |
| 4. Fuel fill | 11. Emergency stop |
| 5. Engine and battery access | 12. Control access panel |
| 6. Radiator drain port | 13. Breaker panel access |
| 7. Engine access | |

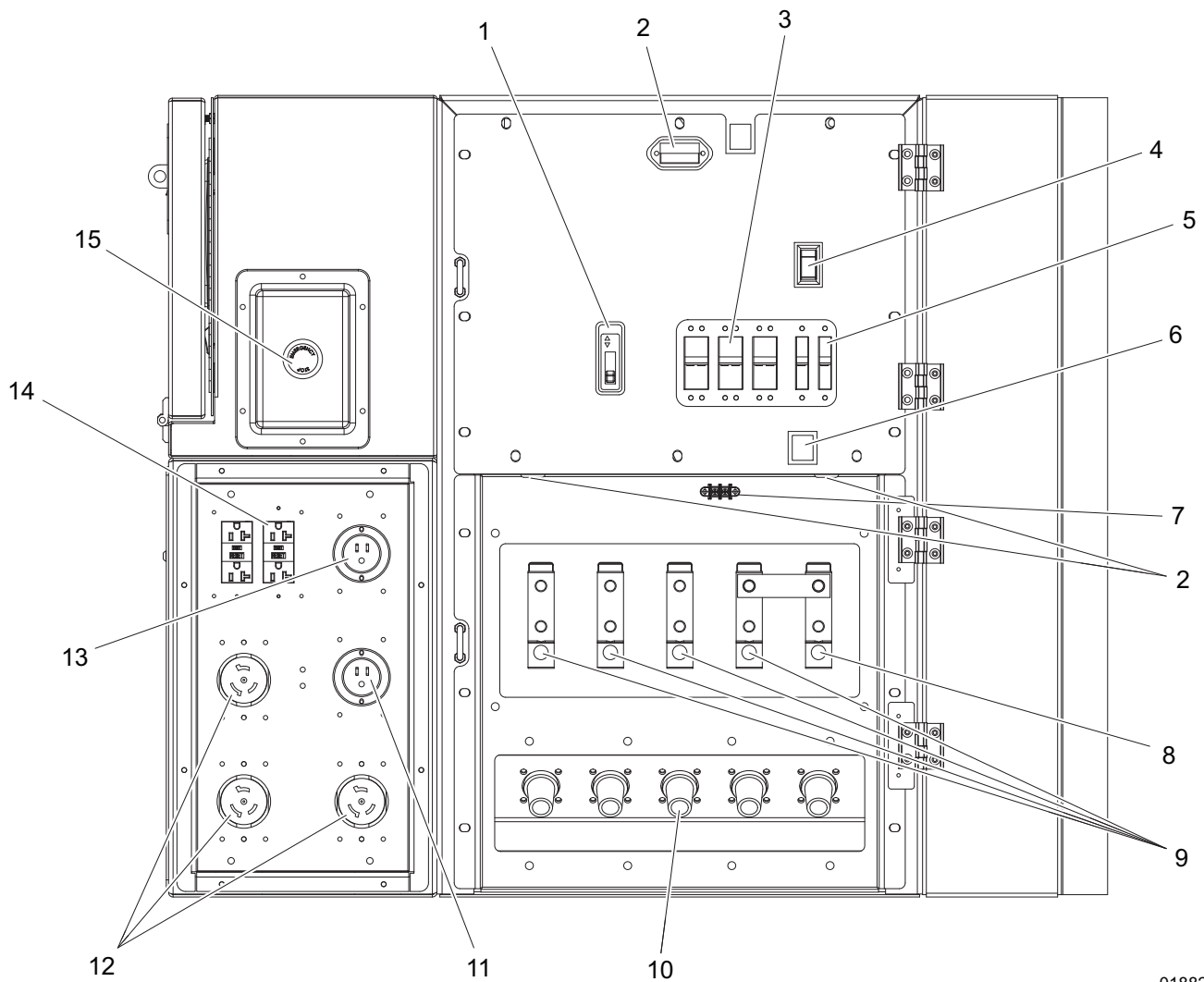
CONTROL PANEL



01881

Figure 2-4. Control Panel (Rear of Unit)

- | | |
|---|---------------------------|
| 1. Voltage selector switch | 4. Engine idle switch |
| 2. 50/60 Hz switch (optional) | 5. Control power switch |
| 3. Fuel transfer pump switch (optional) | 6. Power Zone™ controller |



01882

Figure 2-5. Control Panel (Right Side of Unit)

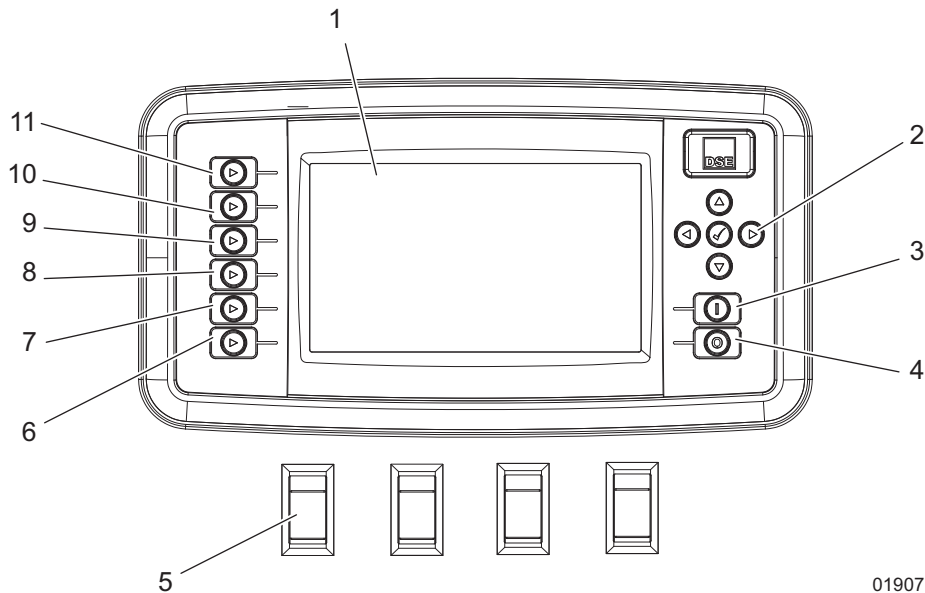
- | | |
|--------------------------------|---|
| 1. Main circuit breaker | 9. Connection lugs (4) |
| 2. Control panel lights (3) | 10. Cam lock connection lugs (5) (optional) |
| 3. 50A circuit breakers (3) | 11. Connection for optional equipment inlet |
| 4. Service lights switch | 12. 120V/240V twist-lock receptacles (3) |
| 5. 20A circuit breakers (2) | 13. Connection for battery charger |
| 6. Lug door safety switch | 14. 120V GFCI receptacles (2) |
| 7. Remote start terminal block | 15. Emergency stop switch |
| 8. Ground connection lug | |

POWER ZONE™ GEN CONTROLLER

The Power Zone™ Gen controller is an auto start controller that monitors the unit and indicates operational status and fault conditions. The controller can be programmed to automatically start or stop based on time schedule, fault condition, or load demand.

The controller constantly monitors vital generator and engine functions for a number of preprogrammed alarm and fault conditions. When a fault condition occurs, the engine can be shut down automatically and the LCD window will show the fault that caused the shut down; to resume operation, the fault condition must be resolved.

This controller also records a history of unit performance which may be viewed at any time and will not be lost when the controller is powered down.



01907

Figure 2-6. Power Zone™ Gen Controller Layout

- | | |
|--------------------------------------|----------------------------|
| 1. LCD window | 7. Alarm mute button |
| 2. Navigation buttons | 8. Voltage screen button |
| 3. Engine start (manual mode) button | 9. Generator screen button |
| 4. Engine stop/reset button | 10. Engine screen button |
| 5. Control power switch | 11. Home screen button |
| 6. Auto/manual mode button | |

Controller Features and Functions

Operator Screens

These buttons are used to enter the various operator screens from any other screen. The operator screens consists of four screens: Home (🏠), Engine (🚗), Generator (GEN), and Voltage Adjust (+/-). For information about the screens, refer to [Operator Screens](#).

Alarm Mute

The Alarm Mute (🔇) button silences the audible alarm. Additional action will be required to fully disable the active alarm.

Auto/Manual Mode

The Auto/Manual Mode (⏻) button is used to change the startup and shutdown modes of the unit. When pressed once, the unit enters Manual mode and when pressed and held for five seconds, the unit enters Auto mode. If in Auto mode, pressing once will return the unit to Manual mode.

Navigation Buttons

These buttons are used to navigate and interact with the Power Zone™ controller screens. Pressing any directional arrow (▲, ►, ▼, ◀) while on any of the operator screens will open the maintenance screens, and navigate the tabs and pages within the maintenance screens. The Enter (✓) button is used to select menus, confirm alarms, and confirm altered settings.

Control Power Switch

Use this switch to start up and shut down the Power Zone™ controller. This switch should not be turned off when the unit is running.

Engine Start

Pressing the Engine Start (I) button while the controller is in Manual mode will start the unit, provided there are no shutdown errors, and the engine satisfies the start status. If the controller is in Auto mode, the Engine Start (I) button has no effect.

Engine Stop/Reset

Pressing the Engine Stop/Reset (O) button will shut down the unit and put the controller into Stop mode, whether in Manual mode or Auto mode.

⚠ CAUTION

In case of an emergency, press the emergency stop switch, located on the side of the unit, to stop the engine immediately. The Engine Stop/Reset (O) button may delay the engine shutdown if stop faults exist.

NOTICE

To prevent damage to the generator and connected equipment, remove all loads from the generator by opening all circuit breakers (turn OFF (O)) before pressing the Engine Stop/Reset (O) button.

The Liquid Crystal Display (LCD)

This window will display the various operator and maintenance screens. By viewing these screens, the operator will be able to monitor both the engine and generator status while the unit is running.

Operator Screens

The operator screens display the most relevant and critical information an operator will need to properly configure and utilize a unit. From these four screens, the operator can access engine, generator and power transmission information necessary to operate the unit under normal conditions.

Home Screen

The Home screen is the default screen of the controller and will display after the controller is powered up and the unit management software is loaded. It displays a live readout of the kW meter, percent of load used (gauge), selected phase, volts and amps being produced by the generator, and the fuel level with time until empty. The controller will automatically return to this screen from any other screen after a period of inactivity.

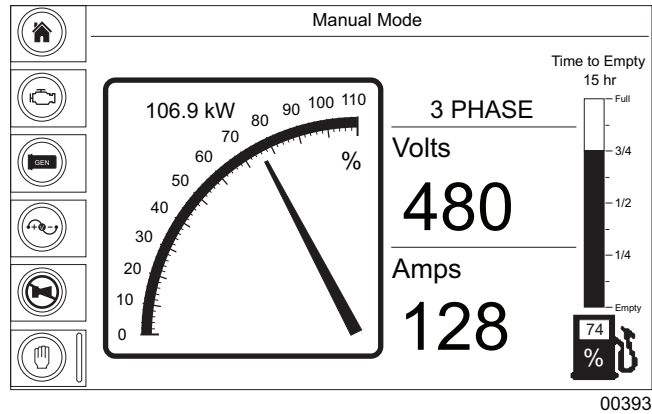


Figure 2-7. Home Screen

Engine Screen

The Engine screen displays the oil pressure, coolant temperature and battery voltage on three main gauges. Below the gauges is an hour gauge displaying the total run time on the engine. At the bottom of the screen are maintenance alarm statuses with the time remaining (black text) or the time past (red text) a scheduled maintenance task, along with the description of the maintenance procedure and the action that will take place when the timer trips the alarm.

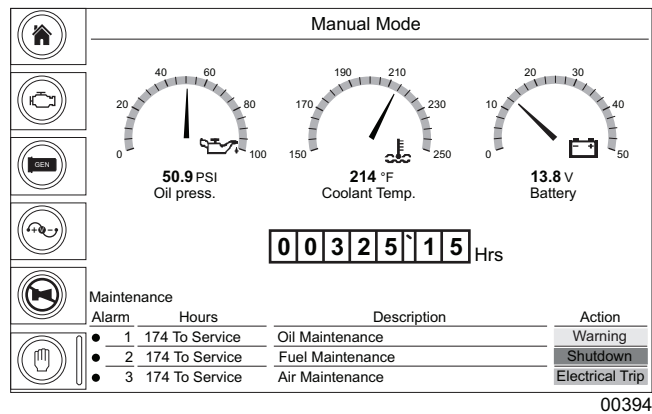


Figure 2-8. Engine Screen

Note: If the measured value is outside the range of a gauge, the needle will not be displayed. The digital value below the gauge will still show the measured value.

- **Oil Press:** Displays engine oil pressure. Current coolant temperature is displayed directly below the gauge at all times. The gauge registers oil pressure between 0-100 psi (0-689 kPa). Normal operating pressure is between 35-80 psi (241-552 kPa).
- **Coolant Temp:** Displays engine coolant temperature. Current coolant temperature is displayed directly below the gauge at all times. The gauge displays coolant temperature between 150°-250°F (66°-121°C). Normal operating temperature of the unit is between 180°-200°F (82°-93°C) with an average ambient air temperature of 70°F (21°C).
- **Battery:** Displays the engine battery voltage. Current battery voltage is displayed directly below the gauge at all times. The gauge displays battery voltage between 0-50V. A normal reading is 12-14V on 12 volt systems and 24-26V on 24 volt systems (with the engine running).

Generator Screen

The Generator screen displays the average voltage frequency, volts and amps from the generator, as well as line-to-line voltage, and individual line-to-neutral voltage, amperage and power (kW). This screen also displays the generator winding configuration set by the voltage selector switch in the lower right corner.

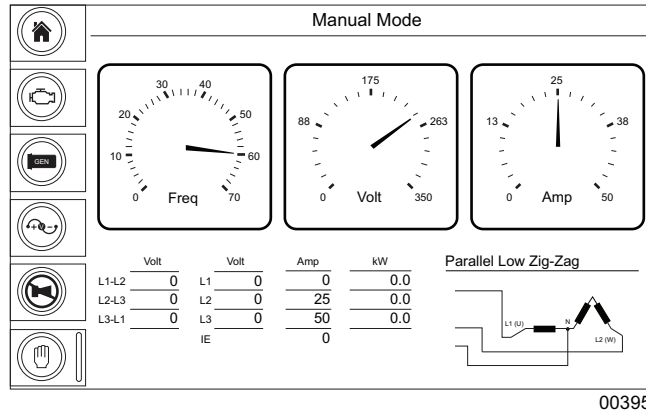


Figure 2-9. Generator Screen

Note: When loading the generator, it is important to observe the amperage to determine the load balance on each line of the generator. Minor load unbalances, usually ten percent or less, will not cause problems. Every effort should be made to distribute the load equally between all lines.

- **Freq:** Displays the output frequency in Hertz (Hz). Normal operating frequency is 60 Hz.
- **Volts:** Displays the nominal voltage in Volts (V).
- **Amps:** Displays the AC output amperage produced by the generator in Amps (A).

Additional information can be found on the electric power table at the bottom-left side of the screen. This provides an overview of all three lines and average voltage and amperage readouts.

Voltage Adjust Screen

The Voltage Adjust screen displays the line-to-neutral and line-to-line voltage averages. The operator can electronically adjust the voltage within limits to prevent under-voltage or over-voltage conditions using the on-screen instructions. This feature replaces a traditional potentiometer. Refer to [Shutting Down the Unit](#) for more information.

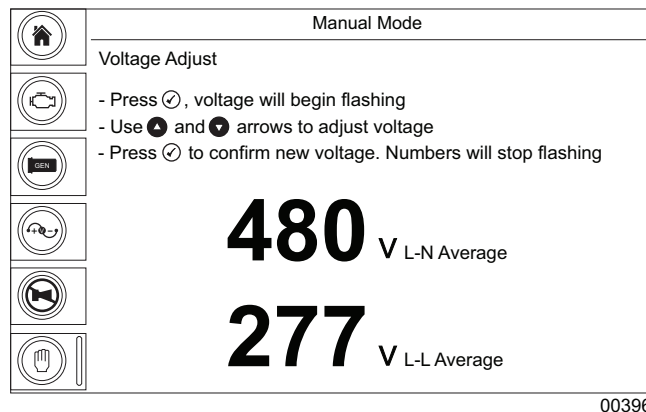


Figure 2-10. Voltage Adjust Screen

Maintenance Screens

All of the data inputs from the engine, generator, inputs/outputs, schedule and Power Zone™ controller are visible on the maintenance screens.

The information displayed on the maintenance screens can be used to identify, diagnose and troubleshoot unit shutdown conditions and poor unit performance. The maintenance screens can be accessed from any Operator screen by pressing any directional arrow (▲, ►, ▼, ◀).

The bottom of the screens have a list of available tabs, with the currently displayed tab highlighted in blue. The tabs can be selected by using the ▲ or ▼ buttons. To the left of the tabs, the current/available pages are displayed. The pages within a tab can be viewed by using the ▲ and ▼ buttons. Whenever a new tab is selected, the current page will always be page 1.

Generator Summary

The Generator Summary can be found at the top of all maintenance screens and provides an overview of the system.

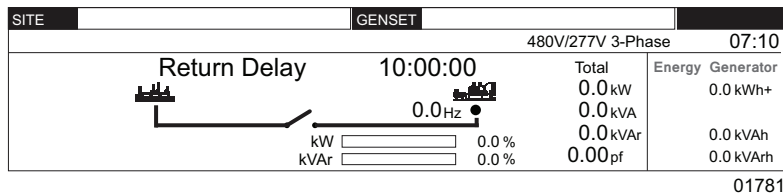


Figure 2-11. Generator Summary Screen

Engine Tab

The Engine tab contains maintenance and instrumentation data gathered from the engine itself. Above the engine analog meters is a row of alarm icons. Each icon can be one of three colors: grey (inactive), yellow (warning) or red (shutdown). The alarm icons are as follows from left to right: water in fuel, emission filter, engine air inlet temperature, charge alternator, oil pressure, fuel level, battery voltage, coolant temperature, and ECU lamp.

Note: The content may change depending upon the selected engine and the features supported by the engine.

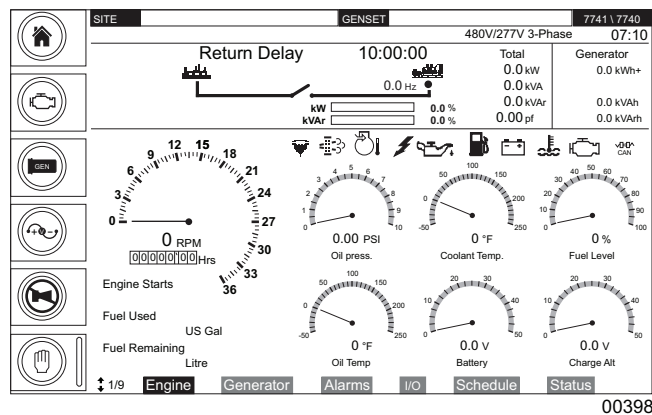


Figure 2-12. Engine Tab Screen

Generator Tab

The Generator tab contains maintenance and instrumentation data gathered from the generator. Each page highlights different data gathered by the generator with the analog meters changing accordingly. The last two pages will display the information in the bar graph. The bar graph shows blue for positive and red for negative. For the power factor bar graph, blue is for lagging pf and red is for leading pf.

Note: The content may change, depending upon the selected generator and the features supported by the generator.

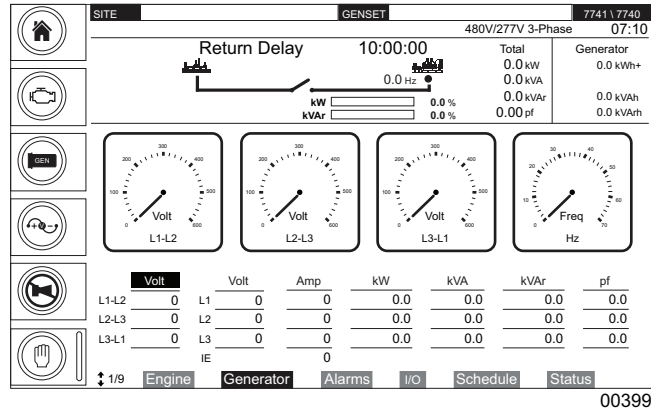


Figure 2-13. Generator Tab Screen

Alarms Tab

The Alarms tab displays warnings, electrical trip and shutdown alarms, and any engine Diagnostic Trouble Codes (DTC) that are occurring or have occurred previously. The first page on the Alarms tab displays the alarms that are currently active. They are organized by alarm type.

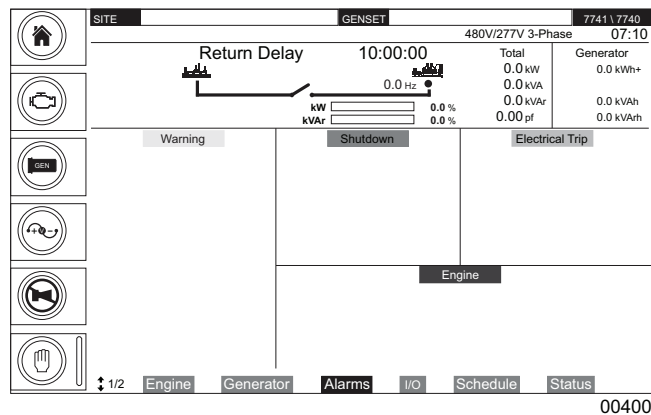


Figure 2-14. Alarms Tab Screen (First Page)

Table 1: Possible Alarm Types

Alarm Type	Color - Background/Text	Graphic
Warning	Yellow/Black	Warning
Electrical Trip	Purple/Black	Electrical Trip
Shutdown	Red/Black	Shutdown
ECU Code	Blue/White	Engine

The second page of the Alarms tab shows the event log with a list of events, including normal operation events and alarm notifications with the most recent events at the top of the list. All indexed events include the date and time of the event, hours of runtime on the engine when it occurred, along with the event name or alarm type and details.

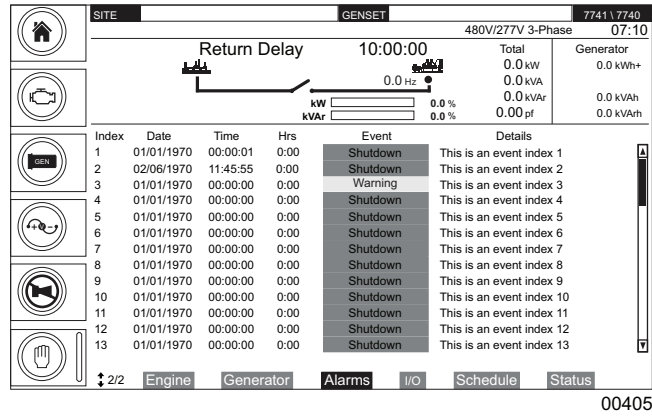


Figure 2-15. Alarms Tab Screen (Second Page)

To scroll down within the event log, press the Enter (✓) button. The scroll bar will change to blue, signifying it is active. Press the ▲ or ▼ buttons to scroll up or down in the event log. When finished, press the Enter (✓) button again.

Input/Output Tab

The Input/Output (I/O) tab shows a list of digital inputs and outputs connected to the controller, whether they are active and the current state (open/closed status) of the input and output.

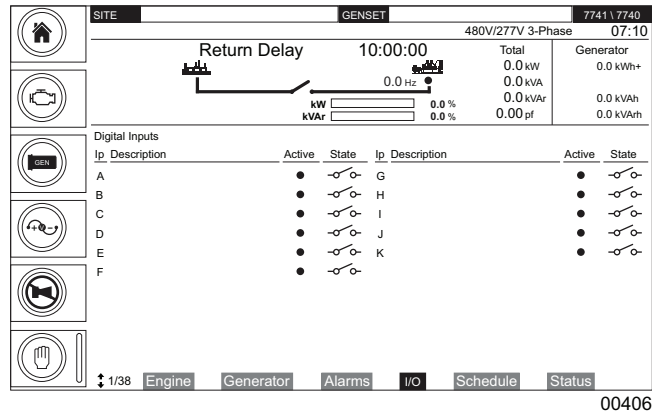


Figure 2-16. Input/Output Tab Screen

Schedule Tab

The Scheduler tab shows the current configuration and status of the scheduler, located below the generator summary. At the bottom of the screen, the maintenance configuration status and time remaining until an alarm, electrical trip or shutdown will occur. The lamp(s) to the left shows the configuration status of the maintenance alarm, not the alarm condition.

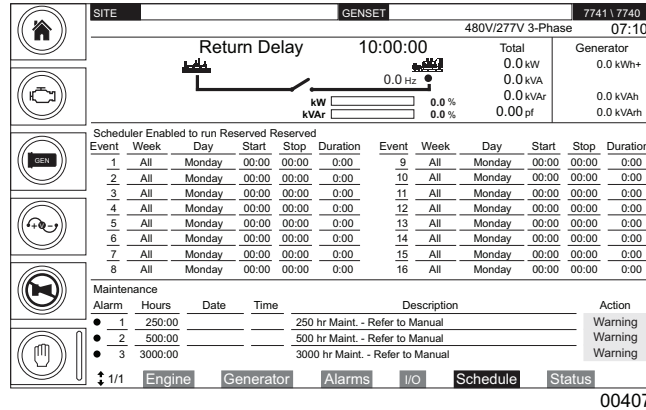


Figure 2-17. Schedule Tab Screen

Status Tab

The Status tab contains the status and configuration of the controller, firmware and data connections.

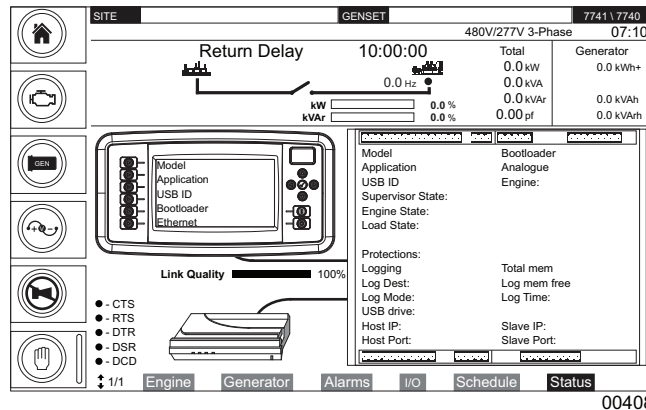


Figure 2-18. Status Tab Screen

Generator Monitoring

Generator information is displayed on both the Generator operator screen and Generator tab within the maintenance screens. For more information, see [Operator Screens](#) and [Maintenance Screens](#).

Engine Monitoring

Engine information is displayed on both the Engine operator screen and Engine tab within the maintenance screens. For more information, see [Operator Screens](#) and [Maintenance Screens](#).

Controller Information Displays, Functions and Reset

The Power Zone™ controller constantly monitors vital generator and engine functions for a number of operation, alarm and fault conditions. When a fault condition occurs, the engine will shut down automatically and the main display will show the fault that has caused the shutdown. To resume operation, the fault condition must be resolved. To reset the controller and resume operation, press the Enter (✓) button.

BELT TENSIONERS

Isuzu™ engines use only manual belt tensioners. John Deere™ engines use manual and automatic belt tensioners. Adjust the belt using the manual tensioner according to the manufacturer's specifications. The automatic tensioner cannot be adjusted or repaired and is designed to maintain proper tension over the life of the belt. Units with the automatic belt tensioner must be inspected according to manufacturer specifications.

Section 3 - Operation

PRESTART CHECKLIST

Before starting the unit, carefully read the prestart checklist. Verify all items are checked before starting the unit. This checklist applies to both manual and remote starting of the unit.

- Read and understand **ALL** safety sections at the beginning of this manual.
- Verify the Control Power switch is OFF (O).
- Verify all circuit breakers are switched OFF (O).
- For grounding requirements, follow any local, state, or National Electrical Code (NEC) guidelines.
- Inspect all electrical cords; repair or replace any that are cut, worn, or bare.
- Verify all electrical connections at the connection lugs are tight and wired correctly.
- Verify the voltage selector switch is set to the desired voltage and locked.
- Check the unit is level.
- Thoroughly check for any water inside, on, or near the unit. Dry the unit before starting.
- Check oil, coolant, and fuel levels. For more information, see [General Maintenance](#).
- Check engine fan belt tension and condition.
- Check engine fan belt guard.
- Check engine exhaust system for loose or rusted components.
- Check radiator and surrounding shroud for debris.
- Check to make sure none of the generator covers are loose or missing.
- Verify all maintenance procedures are up to date. For more information, see [General Maintenance](#).
- Verify engine battery connections are secure.
- Check that the battery disconnect switch is on.
- Verify emergency stop switch is pulled out.

MANUAL STARTING OF THE UNIT

All units equipped with the Power Zone™ controller which will initially start up in Stop mode. Use the following procedure to start the generator in Manual mode:

1. Move the Control Power switch to ON (I).

▲ DANGER

ASPHYXIATION. RUNNING ENGINES PRODUCES CARBON MONOXIDE, A COLORLESS, ODORLESS, POISONOUS GAS. CARBON MONOXIDE, IF NOT AVOIDED, WILL RESULT IN DEATH OR SERIOUS INJURY. (000103)

2. The LCD window will show the prestart diagnosis and the controller will load the unit management software.

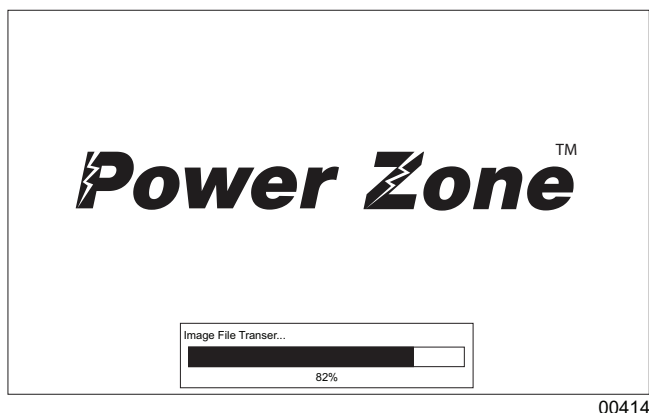


Figure 3-1. Prestart Screen

- When the software is loaded, the Home screen will be displayed and the controller will be in Stop mode as indicated at the top of the screen. Press the Auto/Manual Mode (☐) button to enter Manual mode.

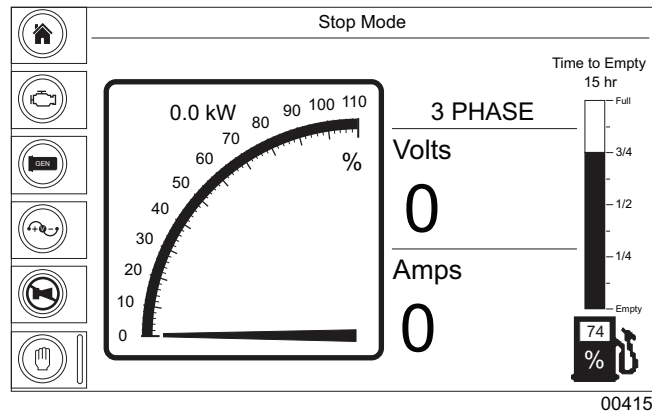


Figure 3-2. Home Screen

Note: The controller can be started from any screen when it is in Manual mode.

- Pressing the green Engine Start (I) button on the controller will initiate the startup procedure and start the engine, provided there are no engine faults preventing the unit from starting.

Note: It may take a few seconds for the engine to run smoothly and reach its governed operating speed. During this time, the screen will show a voltage different from that set with the voltage selector switch.

- If the engine does not start after the first cranking attempt, the engine will pause for 15 seconds to allow the starter to cool. The LCD window will show “Manual Mode - Crank Rest” at the top of the screen. The engine will make two more attempts to start for a total of three crank cycles.
- Should the engine not start and run within three starting cycles, the LCD window will show the “Fail to Start” alarm. The starting sequence may be repeated after the starter has had a minimum of two minutes to cool. Pressing the Enter (✓) button will clear the alarm and reset the controller.

Note: The engine controller may skip the preheat engine steps on some of the larger models.

- Once the engine starts, it will immediately begin speeding up to a constant 1800 rpm. The engine may hunt or change speeds until operating speed is reached. After a few minutes of operation, the engine will be warmed up and the operator screens will show engine and generator operating parameters.
- Check the generator for excessive noise or vibration and any coolant, oil, or fuel leaks before applying any loads.
- Verify the AC output voltage is correct. The output voltage can be fine adjusted by using the Voltage Adjust screen as described in [Shutting Down the Unit](#).
- Check that the frequency (Hz) is correct on the Generator screen. With no loads connected to the generator, the frequency should read approximately 60 Hz, depending on the type of engine governing used.
- If all wiring connections have been made correctly, switch the main circuit breaker ON (I) and add loads attached to the receptacles by switching the respective circuit breaker ON (I). You will notice a slight change in engine sound when a load is applied to the unit.

AUTO (REMOTE) STARTING OF THE UNIT

Auto mode is used when the unit is started from a location other than the control panel by using a transfer switch. Auto (remote start) is the normal setting when the unit is being used as a standby power supply. Before putting the unit in Auto mode, review the [Prestart Checklist](#) and [Manual Starting of the Unit](#). Also follow all safety warnings

and information on isolating the generator with a transfer switch if the unit is to be used as a standby power supply. See [Transfer Switch](#), then continue with the steps described below:

1. Perform a manual start of the unit to verify the engine is operating correctly.
2. Remove the wires from the remote start terminal block to check the remote start circuit. Press the Auto/Manual Mode (⏻) button, the LCD window should show “Auto Mode” at the top of the screen. Attach a jumper wire (minimum 16 gauge) across the two terminals on the remote start terminal block. This applies a ground to the Power Zone™ Controller to close the starting circuit contacts. The engine should crank, start and run.
3. Remove the jumper wire from the remote start terminal block and the engine will stop. Reconnect any necessary wires from the remote start switch (transfer switch) to the remote start terminal block.
4. Verify the unit is in Auto mode. The LCD window should show “Auto Mode” at the top of the screen.
5. Close the main circuit breaker (set to ON (I)).
6. Secure unit by closing and locking all access doors.
7. The unit is now ready for remote starting.

The remote start terminal block provides a connection for installation of a remote start switch which will allow the unit to be started by a remote dry-contact closure switch. For location of the remote start terminal block, refer to [Control Panel](#).

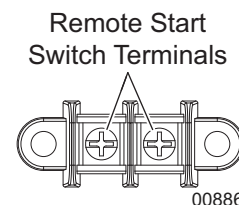


Figure 3-3. Remote Start Terminal Block

Before entering Auto mode, verify the contacts on any remote switch linked to the unit are **OPEN**. If the contacts on a remote switch are closed, the engine will crank and start when Auto mode is entered. Attach the switch leads to the two unused terminals on the unit’s remote start terminal block. For additional information, refer to [Auto \(Remote\) Starting of the Unit](#).

DERATING FOR ALTITUDE

All units are subject to derating for altitude and temperature; this will reduce the available power for operating tools and accessories connected to the receptacles. Typical reductions in performance are 0.5% for every 1000 ft (305 m) and 2-4% for every 1000 ft (305 m) above 10,000 ft (3048 m) of elevation, and 1% per 10°F (5.6°C) increase in ambient air temperature over 72°F (22°C).

GENERATOR OUTPUT CONNECTION LUGS

The unit is equipped with connection lugs, located on the lower portion of the control box behind the lug box door on the right side of the unit. The lugs provide connection points for attachment of external loads to the generator. A large decal on the inside of the control door details the proper connections for selected voltages.

⚠ WARNING

Only a trained and licensed electrician perform any wiring and related connections to unit. Failure to follow proper installation requirements could result in death, serious injury, and damage to equipment or property. (000155)

⚠ WARNING

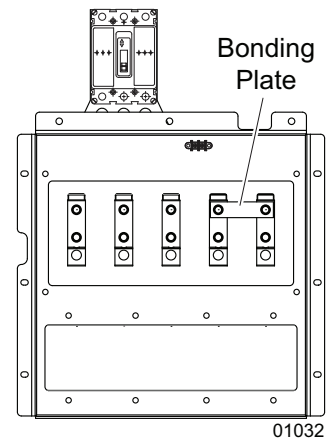
Before any connections are made to the generator, verify the main circuit breaker and the Control Power switch are OFF (O). Potentially lethal voltages may be present at the generator connection lugs.

⚠ DANGER

IMPROPER OR INCORRECT CONNECTIONS TO A BUILDING'S ELECTRICAL SYSTEM CAN CAUSE POTENTIALLY LETHAL VOLTAGES TO BACKFEED INTO UTILITY LINES. THIS MAY RESULT IN INJURY OR ELECTROCUTION TO UTILITY WORKERS NEARBY. VERIFY THE GENERATOR IS SUPPLYING POWER TO AN ISOLATED OBJECT OR BUILDING THAT IS NOT CONNECTED TO ANY UTILITY LINES.

Connections to the lugs should be made by running the power cables up through the opening in the bottom of the box. **DO NOT** make any connections directly to the lugs without routing the cables through the opening. Use a hex wrench to tighten the cable connections. The connection lug door is equipped with a safety interlock switch that will trip the main circuit breaker and disable the voltage regulator, if the door is opened while the unit is operating.

RUN CABLE THROUGH
OPENING IN BOTTOM
OF LUG BOX



01032

Figure 3-4. Bonding Plate Location

⚠ WARNING

Never attempt to disable or modify the lug door safety switch. Equipment damage, personal injury or death may result.

A ground connection is located next to the connection lugs. The unit **MUST** be connected to ground for proper operating safety. The generator neutral is bonded to ground when it is shipped from the factory. The bonding plate will need to be removed when the generator is used as a standby power source. **INSTALLATION SHOULD BE IN COMPLIANCE WITH THE NATIONAL ELECTRICAL CODE (NEC), STATE AND LOCAL REGULATIONS.**

FINE VOLTAGE ADJUSTMENT

Adjustment of the output voltage from the generator is necessary to provide the correct voltage to the end of the power line. Voltage adjustment can be carried out at any time on the Voltage Adjust screen.

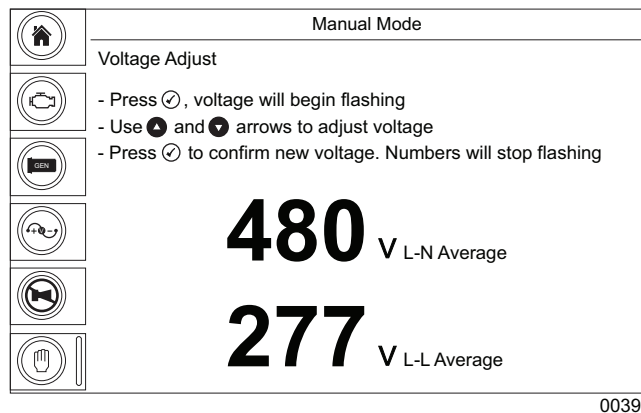


Figure 3-5. Voltage Adjust Screen

1. With the unit running, press [up/down].
2. Press [checkmark]. The voltages displayed will begin flashing.
3. Use [up] and [down] to adjust the voltage.
4. Press [checkmark] to confirm the new voltage. The voltages displayed will stop flashing.

VOLTAGE SELECTOR SWITCH

The voltage selector switch mechanically changes the connections between the generator output leads and the connection lugs on the main control panel. Voltage ranges are selected by rotating the handle on the switch to the desired voltage.

⚠ WARNING

Electric Shock: Never change the voltage selector switch while the engine is running or the controller is on. If the engine is running or starts while the setting is changed, severe arcing will occur, which may result in death, serious injury, damage to the switch and generator windings.

The voltage selector switch is equipped with a lockout mechanism. Once the proper voltage has been selected, insert a padlock through the lockout hole(s). By locking the handle in place, unauthorized changing of the voltage setting is prevented.

120/208V 3-PHASE

Switch styles vary by model.

L1-L2 = 208V L1-N = 120V N = \perp

L2-L3 = 208V L2-N = 120V

L3-L1 = 208V L3-N = 120V

VOLTAGES AT RECEPTACLES		
RECEPTACLE	L-L	L-N
GFCI	-	120V
GFCI w/Buck	-	120V
Twist-locks	208V	120V

00085

277/480V 3-PHASE

Switch styles vary by model.

L1-L2 = 480V L1-N = 277V N = \perp

L2-L3 = 480V L2-N = 277V

L3-L1 = 480V L3-N = 277V

VOLTAGES AT RECEPTACLES		
RECEPTACLE	L-L	L-N
GFCI	-	139V
GFCI w/Buck	-	120V
Twist-locks	240V	139V

00083

= Not recommended for normal use

120/240V 3-PHASE

Switch styles vary by model.

L1-L2 = 240V L1-N = 120V N = \perp

L2-L3 = 240V L2-N = 208V

L3-L1 = 240V L3-N = 120V

VOLTAGES AT RECEPTACLES		
RECEPTACLE	L-L	L-N
GFCI	-	120V
GFCI w/Buck	-	120V
Twist-locks	120V	0/120V

00086

= Not recommended for normal use

4 Position Voltage Selector Switch Option

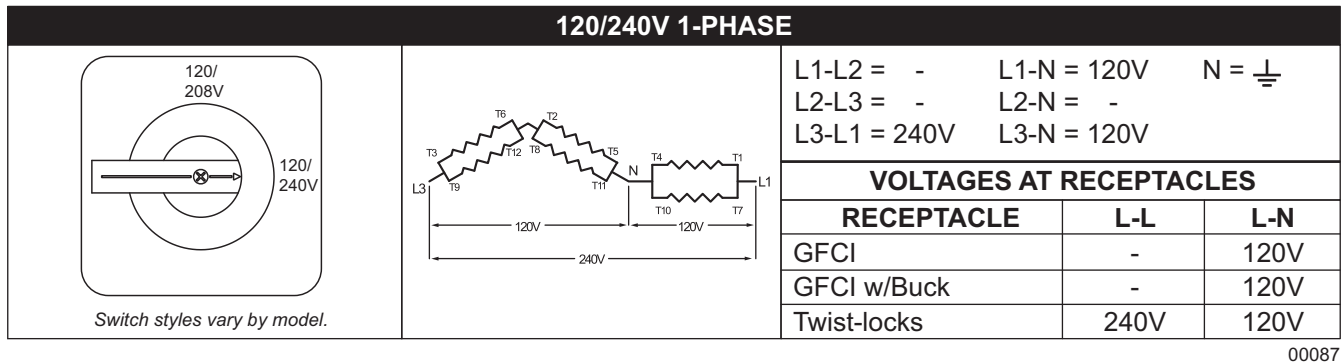


Figure 3-6. Voltage Selector Switch Connections

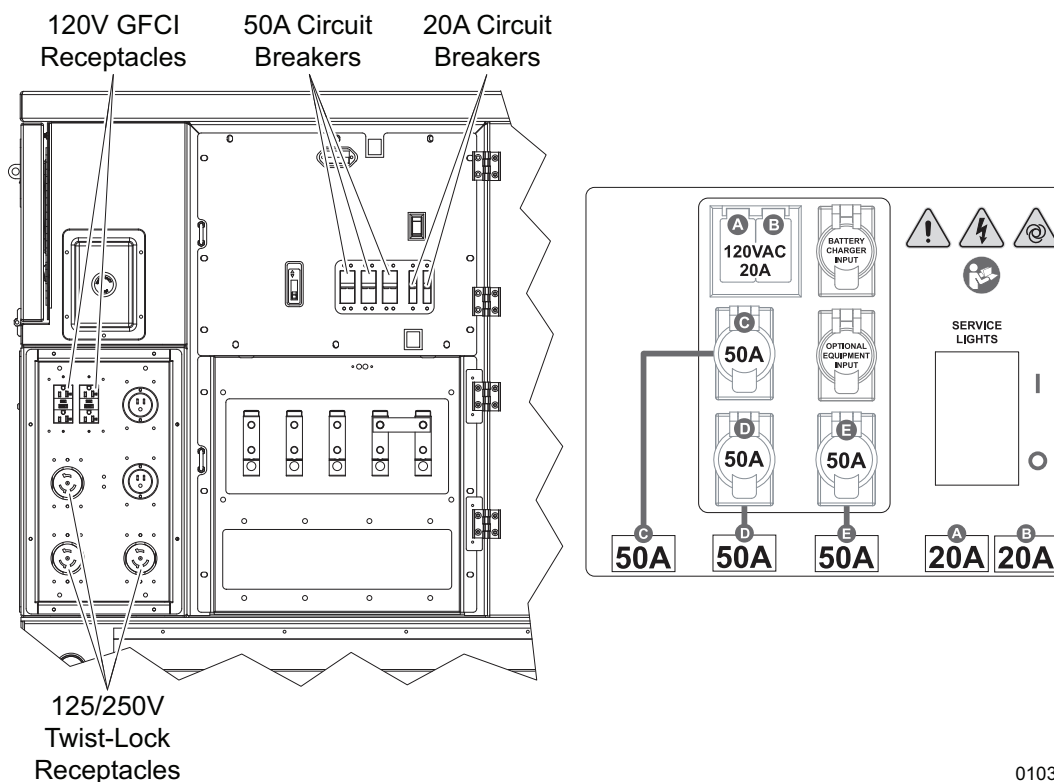
VOLTAGE REGULATION

The electronic voltage regulator controls the output of the generator by regulating the current into the exciter field. The regulator has four screwdriver adjustable potentiometers that may be adjusted for U/F dip, under frequency protection (U/F), stability, and voltage. The voltage regulator on the unit is adjusted before shipment from the factory. Contact Generac Mobile Products for additional information before attempting to adjust the voltage regulator.

Note: For units equipped with a Marathon DVR2000E+ digital voltage regulator, please refer to the Marathon operating manual provided with the unit.

CUSTOMER CONVENIENCE RECEPTACLES

The unit is equipped with five receptacles. The large receptacles are 240/120VAC twist-lock receptacles rated at 50A each. The smaller duplex receptacles are 120VAC rated at 20A each with ground fault circuit interrupt (GFCI) protection. These receptacles are not routed through the main circuit breaker. Each receptacle has its own circuit breaker, located above the connection lugs. Each breaker is sized to the maximum rating of the corresponding receptacle.



01034

Figure 3-7. Receptacle and Breaker Locations

NOTICE

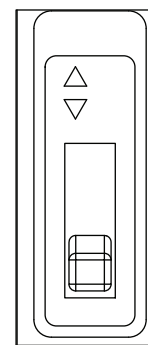
Power to the receptacles is available any time the generator is running, **EVEN IF THE MAIN CIRCUIT BREAKER IS OFF (O). VERIFY EQUIPMENT CONNECTED TO THE RECEPTACLES IS TURNED OFF BEFORE TURNING THE BREAKERS ON.** Verify the voltage selector switch is in the proper position and that the output voltage is correct for the equipment that is connected to the receptacles. Improper voltage may cause equipment damage or malfunction.

Note: When the voltage selector switch is in position for 480/277V 3Ø, voltage at the two GFCI receptacles is 139 volts and the voltage at the three twist-lock receptacles is 240/139 volts. Generac Mobile Products does not recommend using the receptacles in the 480V position. When the voltage selector switch is in position for 208/120V 3Ø, voltage at the three twist-lock receptacles and the two GFCI receptacles is 208/120 volts.

MAIN CIRCUIT BREAKER

The main circuit breaker is located on the main control panel. When the breaker is OFF (O), power is interrupted between the connection lugs, the optional cam lock receptacles, and the generator. Once the connections have been made to the connection lugs or the optional cam lock receptacles, and the unit has been started and allowed to reach normal operating temperature, the breaker may be switched ON (I).

The main circuit breaker will be tripped, disconnecting power to the connection lugs and the optional cam lock receptacles if any of the following items occur while the unit is running:



00489

Figure 3-8. Main Breaker

1. Overload of the generator circuits to the connection lugs or the optional cam lock receptacles.
2. The door covering the connection lugs or the optional cam lock receptacles is opened.
3. If the emergency stop switch is activated.

Verify problems that cause the main circuit breaker to trip are corrected before returning the switch to ON (I).

NOTICE

The main circuit breaker interrupts power to the connection lugs and the optional cam lock receptacles only. The control panel receptacles have power even if the main circuit breaker is OFF (O). To disconnect power to these receptacles, use the individual circuit breakers located near each receptacle.

EXHAUST FILTER CLEANING OPERATIONS

When enabled, the exhaust filter system goes through an automatic cleaning process known as regeneration. Under normal circumstances, regeneration occurs without interruption of unit operation and with minimal operator involvement. In the event there are conditions requiring the operation of the unit with the auto exhaust filter cleaning disabled, the operator may be required to perform procedures to enable or disable the auto exhaust filter cleaning. The operator may also be required to perform a manual regeneration. The following procedures describe how to perform these functions.

▲ WARNING

The area above and surrounding the exhaust system during an auto or manual exhaust filter cleaning should be clear of any people and objects. Exhaust gases and components can reach temperatures hot enough to ignite and melt common materials.

***Note:** Always park the unit in a safe location for elevated exhaust temperatures and check for adequate fuel level before beginning the exhaust filter cleaning process. The cleaning cycle can take an extended period of time (approximately 45 minutes). Cleaning is complete when the Regeneration indicator remains off.*


Disable Automatic (Auto) Exhaust Filter Cleaning

The auto exhaust filter cleaning feature should always be enabled unless doing so would cause an unsafe working environment. In the event that an unsafe working environment would occur, use the following procedure to disable the auto exhaust filter cleaning feature:

1. Enter the maintenance screens by pressing ▲, ►, ▼, or ◀.
2. Press and hold (✓) to enter the Running Editor.
3. Press ▼ to move the cursor (blue highlighted text) down to the Engine section.
4. Press (✓) or ► to access the sections. Options should already be highlighted.
5. Press ► and then ▼ to highlight DPF Regen Inhibit. Press (✓) to select the check box.
6. Press ▲ to mark the check box.
7. Press and hold (✓) to save the settings. The display should return to the Home screen.
8. Verify the Home screen displays “DPF Regen Inhibit” above the kW meter and the load used gauge.

Force a Manual Exhaust Filter Cleaning

If running the unit with the exhaust filter cleaning function disabled, the DPF Status screen may display a red alarm, prompting the operator to force a manual exhaust filter cleaning. Use the following procedure to force a manual exhaust filter cleaning feature:

1. Open the control door and locate the switch labeled “FORCE EXHAUST REGENERATION”.
2. Move and hold the switch into the  position.

Enable Exhaust Filter Cleaning

If the environment no longer requires the function to be disabled and there are no alarms present on the DPF Status screen, the auto exhaust filter cleaning function should be enabled. Use the following procedure to enable the auto exhaust filter cleaning feature:

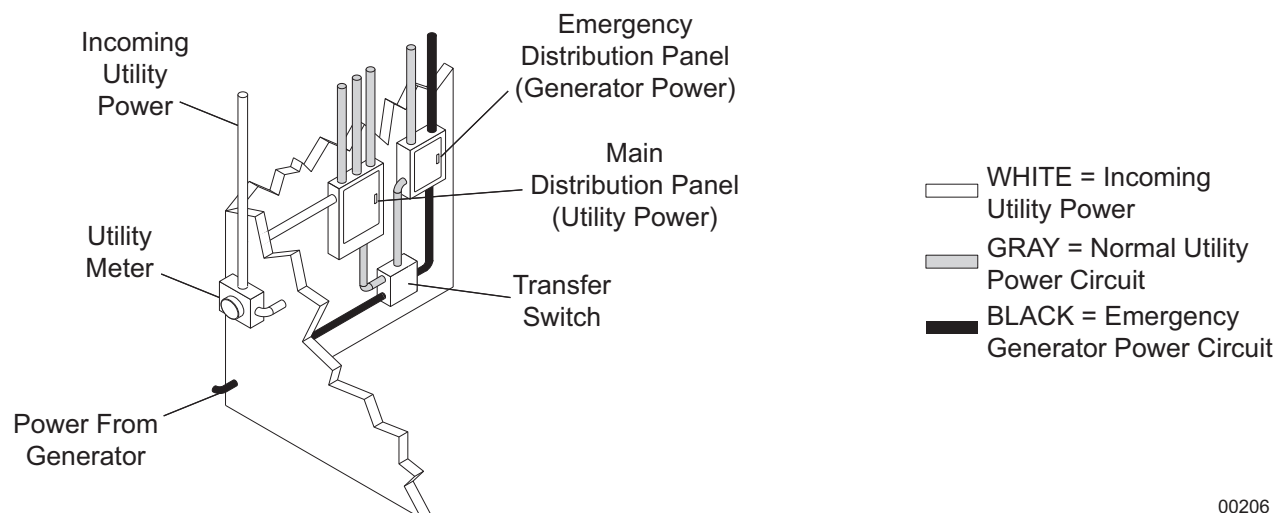
1. Enter the maintenance screens by pressing ▲, ►, ▼, or ◀.
2. Press and hold (✓) to enter the Running Editor.
3. Press ▼ to move the cursor down to the Engine section.
4. Press (✓) or ► to access the sections. Options should already be highlighted.
5. Press ► and then ▼ to highlight DPF Regen Inhibit. Press (✓) to select the check box.
6. Press ▲ to unmark the check box.
7. Press and hold (✓) to save the settings. The display should return to the Home screen.
8. Verify the Home screen no longer displays “DPF Regen Inhibit” above the kW meter and the load used gauge.

TRANSFER SWITCH

NOTICE

The generator neutral is bonded to ground when shipped from the factory. The bonding plate will need to be removed when the unit is used as a standby power supply. Installation should be in compliance with the National Electrical Code (NEC), state and local regulations.

When the unit is used as a standby power supply, it must be equipped with a transfer switch which isolates it from the utility’s distribution system. A transfer switch is designed to transfer electrical loads from the normal power source (utility) to the emergency power source (generator) when normal voltage falls below a prescribed level. The transfer switch automatically returns the load back to the normal source when power is restored back to operating levels.



00206

Figure 3-9. Transfer Switch Operation

⚠ DANGER

FAILURE TO ISOLATE THE GENERATOR FROM THE NORMAL POWER UTILITY CAN CAUSE POTENTIALLY LETHAL VOLTAGE TO BACKFEED INTO THE UTILITY LINES. THIS MAY RESULT IN INJURY OR ELECTROCUTION OF UTILITY WORKERS NEARBY. MAKE SURE THE GENERATOR IS ISOLATED BY A TRANSFER SWITCH FROM ANY LOCAL UTILITY LINES. THIS ALSO APPLIES IF THE GENERATOR IS BEING USED AS A BACKUP TO SOME OTHER TYPE OF POWER SUPPLY.

Installation of a transfer switch or other type of remote starting device is the responsibility of the user. Installation of such devices must be performed by following all directions supplied by the manufacturer of the switch. If attaching the unit to a power supply normally serviced by a utility company, notify the utility company and check state and local regulations. Familiarize yourself with all instructions and warning labels supplied with the switch.

⚠ WARNING

Only a trained and licensed electrician perform any wiring and related connections to unit. Failure to follow proper installation requirements could result in death, serious injury, and damage to equipment or property. (000155)

NOTICE

When using the unit as a standby or substitute power supply, make sure the output voltage and phase rotation of the generator match those of the local power utility. Improper voltage or phase rotation may cause equipment damage or malfunction.

AUTO EXERCISE TIMER

The Power Zone™ controller is capable of starting and stopping the unit automatically, based on a programmable schedule.

Units installed in a standby application should be exercised regularly to maintain operating condition and to ensure responsiveness in an emergency situation. Use the following procedures to operate the unit in Auto mode:

Accessing the Configuration Menu

1. With the unit stopped, press ▲, ►, ▼, or ◀ to navigate to the maintenance screens from any of the operator screens.
2. While on any maintenance screen, press (✓) and (O) simultaneously. The controller will display the Configuration menu.
3. To save any changes and exit the Configuration menu, press and hold (✓) for five seconds. To cancel any changes and return to the maintenance screen, press and hold (O) for five seconds.

Set the Controller Clock

The schedule runs based off the time set in the controller clock. Use the following procedure to set the controller clock **BEFORE** setting the schedule:

1. Navigate to the Maintenance group and press ► to access it.
2. Press ► to select the Time section.
3. Set the time and date to the correct local time.

Set the Schedule

1. Access the Scheduler group by pressing the ► button.

Note: The Scheduler group is made up of the Scheduler Options and Scheduler Setup sections. Each section can be accessed and exited using the ► and ◀ buttons.

2. Access the Scheduler Options section. Within this section, the scheduler can be enabled, run mode selected, and load mode selected.

Table 2: Scheduler Options

Item	Values
Enable	Yes/No
Run Mode	Monthly/Weekly
Load	Idle, In Island, On Load, Off Load

3. Access the Scheduler Setup section. Within this section, each schedule entry can be modified by pressing the (✓) button to select the item and the ▲ and ▼ buttons to define them.

Table 3: Scheduler Setup

Item	Values
Schedule Entry	1-16
Start Time	00:00-23:59
Duration	00:00-99:59
Day	Monday-Sunday
Week (of month)	First, Second, Third, Fourth

Note: The controller must be in Auto mode to run at the programmed time. Use a trickle or solar battery charger to prevent the controller from draining the battery while in Auto mode.

Set the Unit to Auto Mode

1. From any operator or maintenance screen, press and hold the Auto/Manual Mode (☰) button for five seconds, or until Auto mode is displayed at the top of the screen.

Note: If any of the scheduled time slots are currently active, the controller will begin the starting sequence and start the unit provided there are no shutdown conditions present.

SHUTTING DOWN THE UNIT

Prior to shutting down the unit, check with personnel using power supplied by the generator and let them know that the power is going to be turned off. Make sure the power shut down will not create any hazards by accidentally turning off equipment that needs to be kept on (pumps, compressors, lights, etc.).

1. Remove all loads from the generator by opening all circuit breakers (turn OFF (O)).
2. Let the engine run for approximately five minutes to allow it to cool down.

Operation

3. Push (O). Pressing the red Engine Stop/Reset (O) button will result in the generator going into the shutdown cycle and starting a 15 second shutdown timer called stopping. If the unit does not shut down within 15 seconds, a stop fail alarm will be displayed on the LCD window.
4. After the unit shuts down, move the Control Power switch to OFF (O).

Note: For extended storage time, disconnect the battery. See the engine operator's manual for extended storage requirements.

EMERGENCY STOP SWITCH

The unit is equipped with one emergency stop switch. For location of the emergency stop switch, refer to [Component Locations](#). The red button is clearly labeled "EMERGENCY STOP." The switch can be accessed and activated with all doors closed and locked.

Activate the emergency stop switch by pushing it in until it locks down. This will trip the main circuit breaker which will open the contact, disconnecting the load to the connection lugs. This will also open the fuel circuit, shutting down the engine. The emergency stop fault will be displayed on the control panel. The switch will remain locked until it is pulled out.

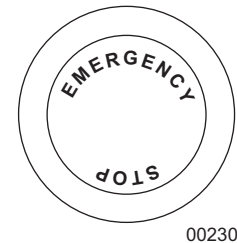


Figure 3-10. Emergency Stop Switch

⚠ CAUTION

Equipment Damage. The emergency stop switch is not to be used to power down the unit under normal operating circumstances. Doing so will result in equipment damage. (000246)

IDLE SWITCH (MMG25I-45I ONLY)

The idle speed is 1000 rpm. The engine will start at idle speed and run at idle for 15 seconds no matter what position the idle switch is in. After 15 seconds of running at idle, the unit will ramp up to 1800 rpm if the idle switch is off. Otherwise the unit will continue to idle if the idle switch is on.

When the engine is at idle speed (1000 rpm), the voltage regulator will not function and the output voltage is dropped out by the voltage regulator.

Note: Avoid long periods of idling as it may cause rapid wear to the engine.

NOTICE

Do not apply a load to the unit when the engine is running at idle speed or equipment damage could result.

TOWING THE UNIT

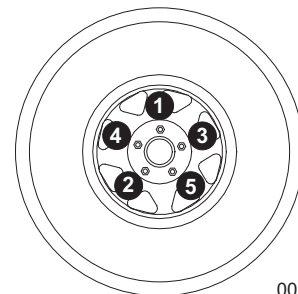
Once the engine is shut down, follow these steps to prepare the unit for towing.

1. Use the tongue jack to raise or lower the trailer onto the hitch of the towing vehicle. Lock the hitch coupling and attach the safety chains or cables to the vehicle. Release the jack locking pin and rotate the jack into the travel position. Make sure the locking pin snaps into place.

Note: A film of grease on the coupler will extend coupler life and eliminate squeaking. Wipe the coupler clean and apply fresh grease each time the unit is towed.

2. See [Jack Maintenance](#) for proper operation and maintenance of the jacks. For maintenance interval information, see [Maintenance](#).

3. Connect any trailer wiring to the tow vehicle. Check for proper operation of the directional and brake lights.
4. Make sure the doors are properly latched.
5. Check for proper inflation of the trailer tires. For maximum tire pressures, refer to *Specifications*.
6. Check the wheel lugs. Tighten or replace any lugs that are loose or missing. If a tire has been removed for axle service or replaced, tighten the lugs, in the order shown, to the following specifications:
 - a. Start all lug nuts by hand.
 - b. First pass tighten to 20-25 ft-lbs (27-33 Nm).
 - c. Second pass tighten to 50-60 ft-lbs (67-81 Nm).
 - d. Third pass tighten to 90-120 ft-lbs (122-162 Nm).



00204

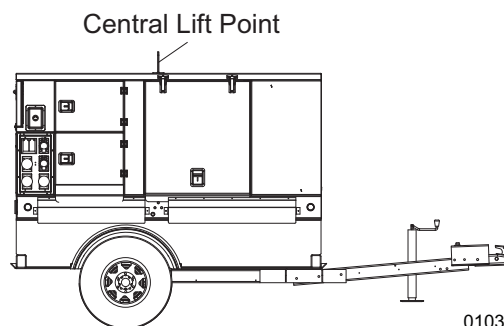
Note: After the first road use, re-torque the lug nuts in sequence.

Figure 3-11. Lug Sequence

7. Maximum recommended speed for highway towing is 45 mph (72 km/h). Recommended off-road towing speed is not to exceed 10 mph (16 km/h).

LIFTING THE UNIT

A central lift point is located on the top of the unit. The central lift point is connected to a lift structure inside the unit. Attach a sling or hook directly to the central lift point only if the devices are in good condition and the equipment being used to raise the unit has sufficient capacity. For approximate weights, refer to *Specifications*. Always remain aware of people and objects around when moving or lifting the unit. Keep the doors closed and locked.



01035

Figure 3-12. Central Lift Point Location

This Page Intentionally Left Blank

Section 4 - Maintenance

EMISSIONS INFORMATION

For emissions information, see the OEM engine manual.

DAILY WALK AROUND INSPECTION

Look for conditions that could hinder performance or safety, such as (but not limited to) oil/coolant/fuel leakage, blocked vents, loose/missing hardware, and electrical connections.

Visually inspect the fan belt for cracks, fraying, stretching, and verify the belt is properly seated in the pulley grooves. Replace the belt according to the manufacturer's recommendations.

Note: *At the 500 hour/12 month service interval, it is recommended that the belt be removed and checked for wear. While the belt is removed, inspect pulleys and bearings. Rotate and feel for hard turning or unusual sounds. If pulleys or bearings need replacement, contact the engine manufacturer.*

NOTICE

Failure to perform a daily inspection may result in serious damage to the prime mover.

GENERAL MAINTENANCE

Normal maintenance service and replacement of parts are the responsibility of the owner and are not considered defects in materials or workmanship within the terms of the warranty. It is strongly recommended that the equipment be periodically checked by an Independent Authorized Service Dealer.

Poorly maintained equipment can become a safety hazard. In order for the equipment to operate safely and properly over a long period of time, periodic maintenance and occasional repairs are necessary. **NEVER** perform routine service (oil/filter changes, cleaning, etc.) unless all electrical components are shut off. Before servicing the unit, always follow the instructions listed below.

- Verify the Control Power switch is turned OFF (O).
- Verify the circuit breakers are turned OFF (O).
- Activate (push in) the emergency stop switch.
- Disconnect the negative (-) terminal on the battery.
- Attach a "Do Not Start" sign to the control panel. This will notify everyone that the unit is being serviced and will reduce the chance of someone inadvertently trying to start the unit.
- Never wash the unit with a high pressure hose or with any kind of power washer.
- Never wash the engine block or fuel tank with a power washer or steam cleaner. Water may enter the cabinet and collect in the generator windings or other electrical parts, causing damage.
- If the unit is stored outside, check for water inside the cabinet and generator before each use. If wet, dry the unit thoroughly before starting.
- Inspect condition of electrical cords. **DO NOT** use the unit if insulation is cut or worn through.
- Check condition of the air filter by viewing the level of the vacuum draw on the filter minder gauge. Replace the air filter when the yellow center bar reaches the red section on the gauge (20 in. H₂O).
- Check wheel lugs. See *Towing the Unit*.
- Check coolant level daily. Refer to the engine operator's manual for coolant recommendations and proper mixture.
 - Coolant is checked visually by inspecting the level in the coolant overflow jug located near the radiator.
 - Normal operating level is between the FULL and ADD markings on the overflow jug, which is known as

- normal range.
- **WHEN ENGINE IS STOPPED AND COMPLETELY COOL**, coolant may be added directly to the coolant overflow jug.
- Check the oil level daily. Refer to the engine operator's manual for the proper viscosity grade of oil, including special operating conditions such as a change in season or climate.
 - **DO NOT** start the unit if the engine oil level is below the add mark on the dipstick.
 - Normal operating level is in the cross-hatch pattern between the full and add markings on the dipstick.
 - Add oil only if the oil level is below the add mark on the bottom of the cross-hatch pattern on the dipstick. **DO NOT OVERFILL** the crankcase.
- Check the fuel level.
- If the unit is connected to a remote start or transfer switch, make sure the remote switch is also off and tagged.

Note: *If the engine was run out of fuel or the fuel tank was drained, it may be necessary to bleed the fuel lines. See the engine operator's manual supplied with the unit.*

BASIC MAINTENANCE SCHEDULE - ISUZU ENGINE

NOTICE

See the original equipment manufacturer's operating manual for a complete list of maintenance requirements. Failure to comply with the procedures as described in the engine operator manual will nullify the warranty, decrease performance and cause equipment damage or premature equipment failure. Maintenance records may be required to complete a warranty request.

Use the schedule in the following table as a guide for regular maintenance intervals.

Item	Daily	First 50 Hours (Break-In Period)	Every 250 Hours	Every 500 Hours	Every 2000 Hours
Check Oil Level	◆				
Check Coolant Level	◆				
Check Fuel Level	◆				
Drain Fuel Filter	◆				
Check Tire Pressure	◆				
Check All Electrical Connections	◆				
Clean Battery	◆				
Check Fan Belt Tension (Replace If Necessary)	◆				
Inspect Radiator Fins for Debris, Clean as Required	◆				
Preheating Condition Check	◆				
Check Engine Starting Conditions and Noise Conditions	◆				
Check Exhaust Smoke Condition	◆				
Replace Engine Oil		◆	◆ 1	◆ 2 3	
Replace Fuel Filter Elements				◆ 3	
Clean Water Sedimenter Element				◆ 3	
Electromagnetic Pump Filter Replacement or Cleaning				◆ 3	
Oil Filter Element Replacement		◆		◆	
Replace Air Filter Element				◆	
Lubricate Leveling Jacks				◆	
Check Generator Drive Plate Torque (See <i>Checking Generator Drive Plate Torque</i>)				◆	
Replace Fan Belt					◆

1 For MMG25IF4 only.

2 For MMG45IF4 only.

3 If the unit is operated in a harsh environment or fuel quality is questioned, replace every 250 hours instead of every 500 hours.

BASIC MAINTENANCE SCHEDULE - JOHN DEERE ENGINE

NOTICE

See the original equipment manufacturer’s operating manual for a complete list of maintenance requirements. Failure to comply with the procedures as described in the engine operator manual will nullify the warranty, decrease performance and cause equipment damage or premature equipment failure. Maintenance records may be required to complete a warranty request.

Use the schedule in the following table as a guide for regular maintenance intervals.

Item	Daily	First 100 Hours (Break-In Period)	Every 250 Hrs.	Every 500 Hrs./12 Months	Every 2000 Hrs.	Every 6000 Hrs./72 Months	As Required
Check Oil Level	◆						
Check Coolant Level	◆						
Check Fuel Level	◆						
Check Tire Pressure	◆						
Check All Electrical Connections	◆						
Inspect Radiator Fins For Debris, Clean As Required	◆						
Check Fuel Filter/Water Separator Bowl	◆						
Check Air Cleaner Dust Valve Restriction Indicator Gauge	◆ 1						
Perform Visual Walkaround Inspection	◆						
Check Oil Vapor Recirculation System/Non-Return Valve			◆				
Change Engine Oil and Replace Oil Filter		◆		◆ 2			
Replace Oil Vapor Recirculation Filter				◆			
Service Battery				◆			
Replace Fuel Filter Elements				◆			
Check Engine Mounts				◆			
Check Air Intake Hoses, Connections, and System				◆			
Check Engine Electrical Ground Connection				◆			
Check Automatic Belt Tensioner and Belt Wear				◆			
Check Cooling System				◆			
Lubricate Leveling Jack(s)				◆			
Check Generator Drive Plate Torque (see Checking Generator Drive Plate Torque)				◆			
Replace Air Cleaner Elements					◆		
Replace Alternator and Fan Belts					◆		
Test Thermostats						◆	
Check Fuses							◆
Add Coolant							◆
Check Electrical Wiring and Connections							◆

- 1 Replace primary air cleaner when dust valve restriction indicator gauge shows a vacuum of 25 in. H₂O.
- 2 If not using John Deere Plus 50 II engine oil, the interval must be decreased to every 250 hours.

ISUZU ENGINE BREAK-IN REQUIREMENTS

Note: The EPA final Tier 4 Isuzu engines have an engine break-in duration that will prohibit the unit from providing rated standby power upon factory delivery. The unit is tested at the factory and is initially capable of a prime standby power output. The engine performance will increase to 95% of full rated power during the first 20 hours of loaded operation. The unit will provide full rated power after the complete engine break-in period of 70 hours of loaded operation.

Operate the engine at heavy loads (60-90% of rated output maximum) as much as possible during the break-in period. If the engine has spent significant time at idle, constant speed(s) and/or light load or if makeup oil is required, a longer break in period may be needed. Refer to the engine operator's manual for a full description of necessary procedures on the addition of oil and extension of the break-in period. For more information on regular maintenance intervals, see [Basic Maintenance Schedule - Isuzu Engine](#).

JOHN DEERE ENGINE BREAK-IN REQUIREMENTS

Note: During the first 20 hours of operation, avoid long periods of no load or sustained maximum load operation. If the generator is to run for longer than five minutes without a load, shut the generator down.

John Deere engines are supplied with engine break-in oil from the factory. Extra care during the first 100 hours of engine operation will result in better performance and longer engine life. **DO NOT** exceed 100 hours of operation with the break-in oil. Operate the engine at heavy loads (60-90% of maximum) as much as possible. If the engine has spent significant time at idle, constant speed(s), and/or light load, or if makeup oil is required, a longer break in period may be needed. Refer to the engine operator's manual for a full description of necessary procedures on the addition of break-in oil and extension of the break-in period. For more information on regular maintenance intervals, see [Basic Maintenance Schedule - John Deere Engine](#).

RESETTING THE MAINTENANCE ALARMS

The Power Zone™ controller will display a warning message when the unit is due for maintenance or service. The maintenance or service interval is set at 250, 500 and 3000 hours of engine running time. Once the unit has been serviced, the appropriate maintenance alarm reminder needs to be reset. The following procedure demonstrates how to reset the maintenance alarms:

1. With the unit shut down, move the Control Power switch to ON (I). After initialization, the controller will toggle automatically to the Home screen.
2. Press ▲, ►, ▼, or ◀ to enter the maintenance screens.
3. Press (✓) and (O) simultaneously. The next screen will display the Configuration menu.
4. Press ▼ to move the cursor (blue highlighted text) down to the Maintenance group.
5. Press ► to access the sections. Press ▼ to highlight the Maintenance section.
6. Press ► to access the parameters and highlight the maintenance alarm that needs to be reset.
7. Press (✓) to select the editable parameters. The cursor will highlight "Not Reset" under the selected maintenance alarm. Press ▲ to highlight "Reset".
8. Press (✓) to reset the selected maintenance alarm.

9. To perform additional maintenance alarm resets, repeat steps 6 - 8.

Note: If the selected maintenance alarm does not need to be reset, press ▼ to highlight “Not Reset” and press (✓) return to the parameters section.

10. To save changes, press and hold (✓) for five seconds. To discard changes made, press and hold (O) for five seconds.

EXHAUST FILTER SERVICE REQUIREMENTS

The exhaust filter system contains a Diesel Particulate Filter (DPF). Over time, the DPF will require professional servicing to remove ash buildup. The expected service interval will be at least 3,000 or 4,500 hours, based on engine power and operating conditions. Actual service should take place when the indicator light appears on the Power Zone™ controller. The DPF should be cleaned or replaced by an authorized service provider only. The removal of DPF ash must be done by removing the DPF from the unit and placing it into specialized equipment.

⚠ CAUTION

Do not remove ash by using water or other chemicals. Removing ash by these methods may cause equipment damage and create unsafe operating conditions.

⚠ CAUTION

Only a qualified service provider should remove, handle and dispose of DPF ash. These materials may be considered hazardous under federal, state and local regulations, and must be handled and disposed of properly.

To avoid unnecessary buildup of diesel particulates or soot in the exhaust filter system:

- Utilize the Automatic Exhaust Filter Cleaning mode.
- Avoid unnecessary idling.
- Use proper engine oil. Refer to the engine operator’s manual.
- Use only ultra low sulfur diesel fuel. Refer to the engine operator’s manual.

CHECKING GENERATOR DRIVE PLATE TORQUE

Follow the procedure below to check the torque of the generator drive plate bolts in accordance with the maintenance chart. Refer to [Checking Generator Drive Plate Torque](#).

1. Disconnect engine starting battery.
2. Remove generator fan guard.
3. Tighten each of the drive plate bolts to the specification shown in [Table 4](#).

Table 4: Drive Plate Bolt Torques

Unit	ft-lbs (Nm)
MMG25IF4	30 (40)
MMG35DF4	40 (54)
MMG45IF4	30 (40)
MMG55DF4	40 (54)

4. Install generator fan guard.
5. Connect battery.

JACK MAINTENANCE

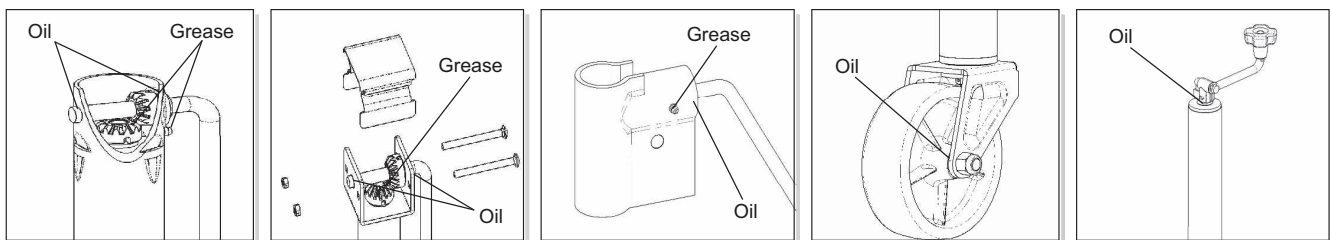
The following procedures should be performed annually.

Side-Wind Models

- The internal gearing and bushings of the jack must be kept lubricated. Apply a small amount of automotive grease to the internal gearing by removing the jack cover, or if equipped, use a needle nose applicator or standard grease gun on the lubrication point found on the side of the jack near the crank. Rotate the jack handle to distribute the grease evenly.
- A lightweight oil must be applied to the handle unit at both sides of the tube.
- If equipped, the axle bolt and nut assembly of the caster wheel must also be lubricated with the same lightweight oil.

Top-Wind Models

- Apply a lightweight oil to the screw stem.



00243

Figure 4-1. Lubrication Points

TRAILER WHEEL BEARINGS

Some trailers are equipped with a grease zerk fitting to allow lubrication of the wheel bearings without the need to disassemble the axle hub. To lubricate the axle bearings, remove the small rubber plug on the grease cap, attach a standard grease gun fitting to the grease zerk fitting and pump grease into the fitting until new grease is visible around the nozzle of the grease gun. Use only a high quality grease made specifically for lubrication of wheel bearings. Wipe any excess grease from the hub with a clean cloth and replace the rubber plug when finished. The minimum recommended lubrication is every 12 months or 12,000 miles (19,312 km). More frequent lubrication may be required under extremely dusty or damp operating conditions.

This Page Intentionally Left Blank

Section 5 - Troubleshooting

TROUBLESHOOTING AUTOMATIC SHUTDOWN CONDITIONS

⚠ WARNING

Allow engine to cool before performing any troubleshooting procedures. Contacting the engine when it is hot will cause personal injury.

Low Fuel Level Shutdown

1. Check fuel level on the Liquid Crystal Display (LCD) window. Verify the unit is sitting level to ensure an accurate reading.
2. Check for leaks in fuel tank. The fuel tank should not run dry under normal circumstances. The engine controller will shut the engine down when there is five percent of fuel remaining in the tank.
3. If fuel level is good and no leaks are found, check the fuel level sender and the connecting wiring for damage. To check for continuity between the sender and the engine controller, remove the appropriate bolts from the control panel to access the inside of the control box. See the appropriate DC wiring diagram *Wiring Diagrams* for the proper path between the engine controller and the fuel level sender.

Low Oil Pressure Shutdown

1. Check engine oil level with the dipstick. The engine controller will shut the engine down when oil pressure is less than 20 psi (138 kPa). Add oil if required.
2. Visually inspect engine for oil leaks.
3. If oil level is good, restart the unit and verify the loss of oil pressure. Shut the engine down immediately if the oil pressure value does not read 5 psi (34 kPa) within five seconds.
4. Check oil pressure sender. To identify corrective action, see the troubleshooting section of the engine operator's manual.

Low Coolant Level Shutdown

1. Allow engine to cool.
2. Check coolant level in the radiator. To access the radiator cap, remove the access panel from the top of the enclosure directly above the radiator. Add coolant until it is 3/4 in. (2 cm) below the filler neck. Secure the radiator cap back into its original position.
3. Inspect coolant hoses, engine block and water pump for visible leaks.
4. Check engine oil to verify no coolant has mixed with it (oil will appear milky if coolant is present). For additional information, see the engine operator's manual.

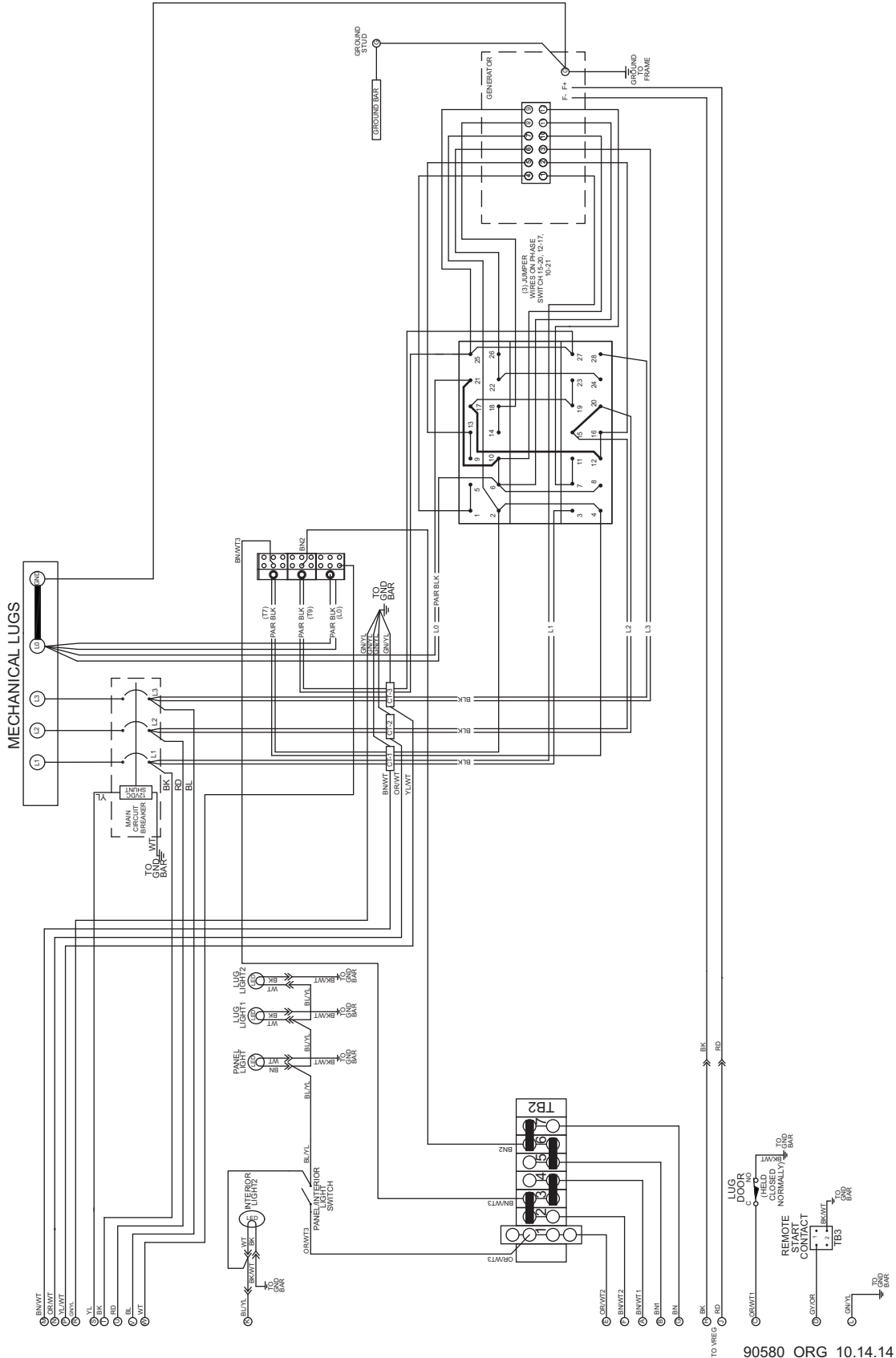
High Coolant Temperature Shutdown

1. Check coolant level in the overflow jug.
2. Restart engine and read the coolant temperature to verify a high coolant temperature shutdown. Stop engine immediately if the coolant temperature is 230°F (110°C) or more.
3. Allow engine to cool. Add coolant to the overflow jug if it is low and check the level of coolant in the radiator. To access the radiator cap, remove the access panel from the top of the enclosure.

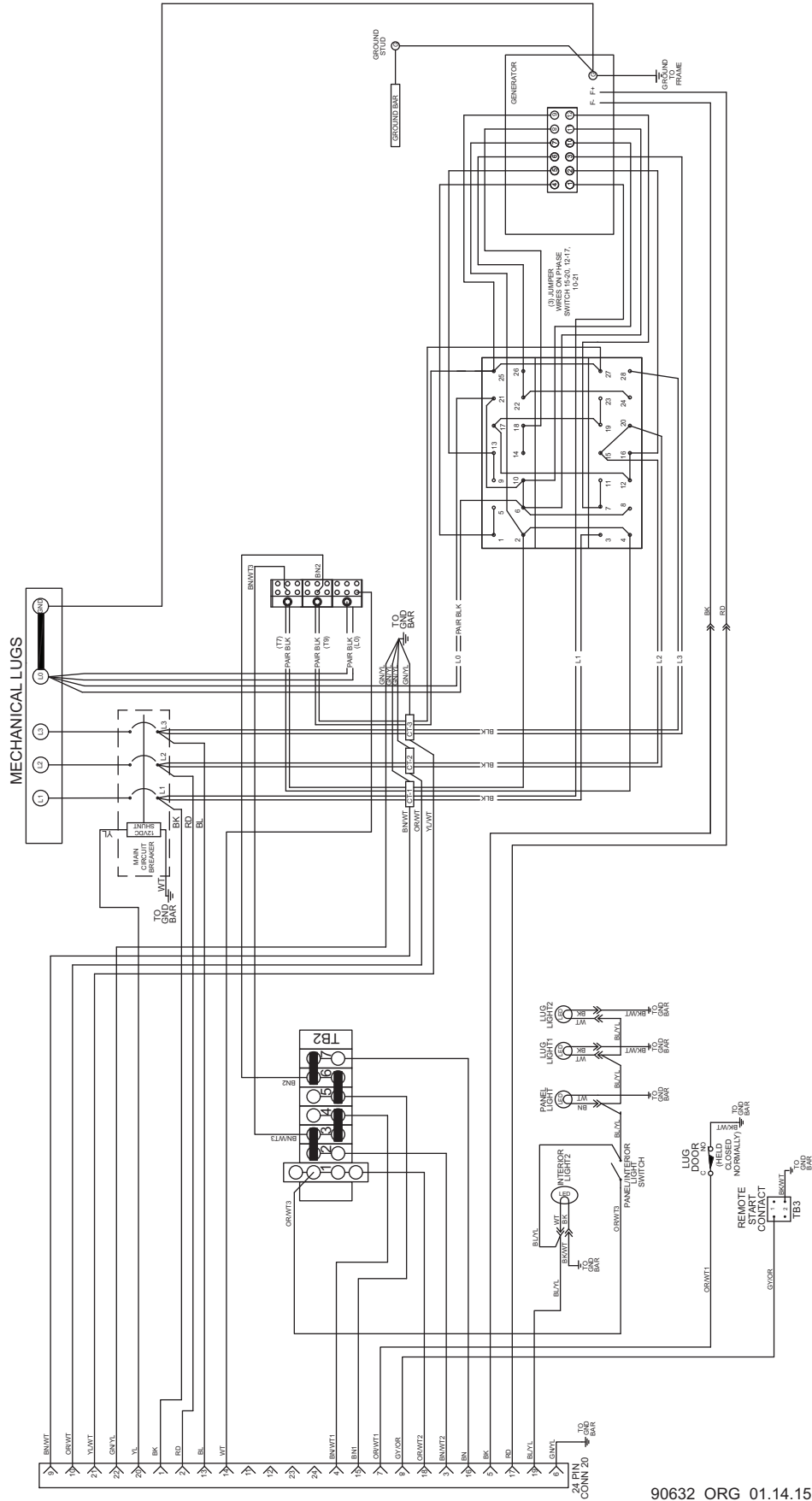
This Page Intentionally Left Blank

Section 6 - Wiring Diagrams

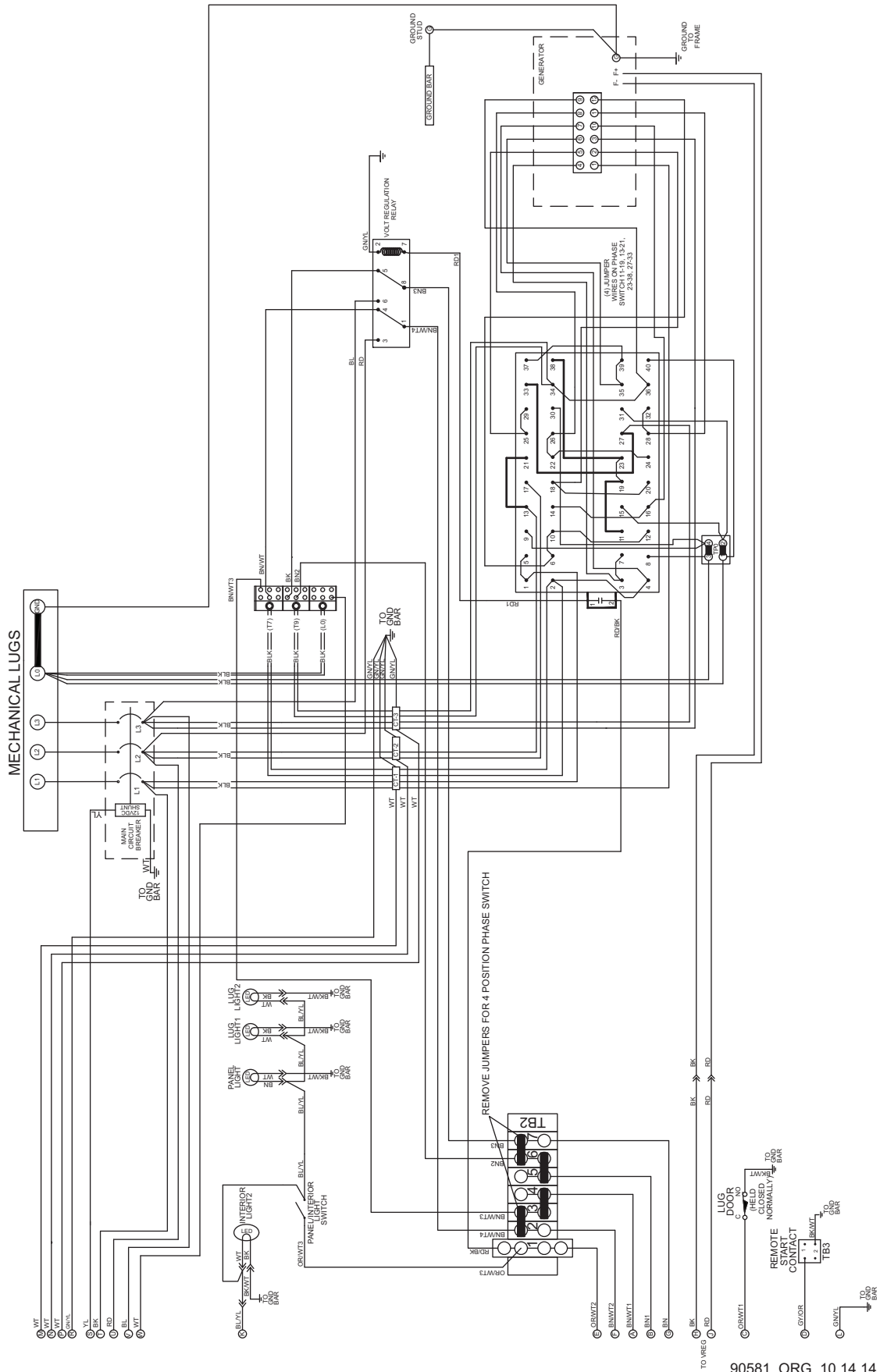
AC WIRING - MMG25IF4, MMG45IF4



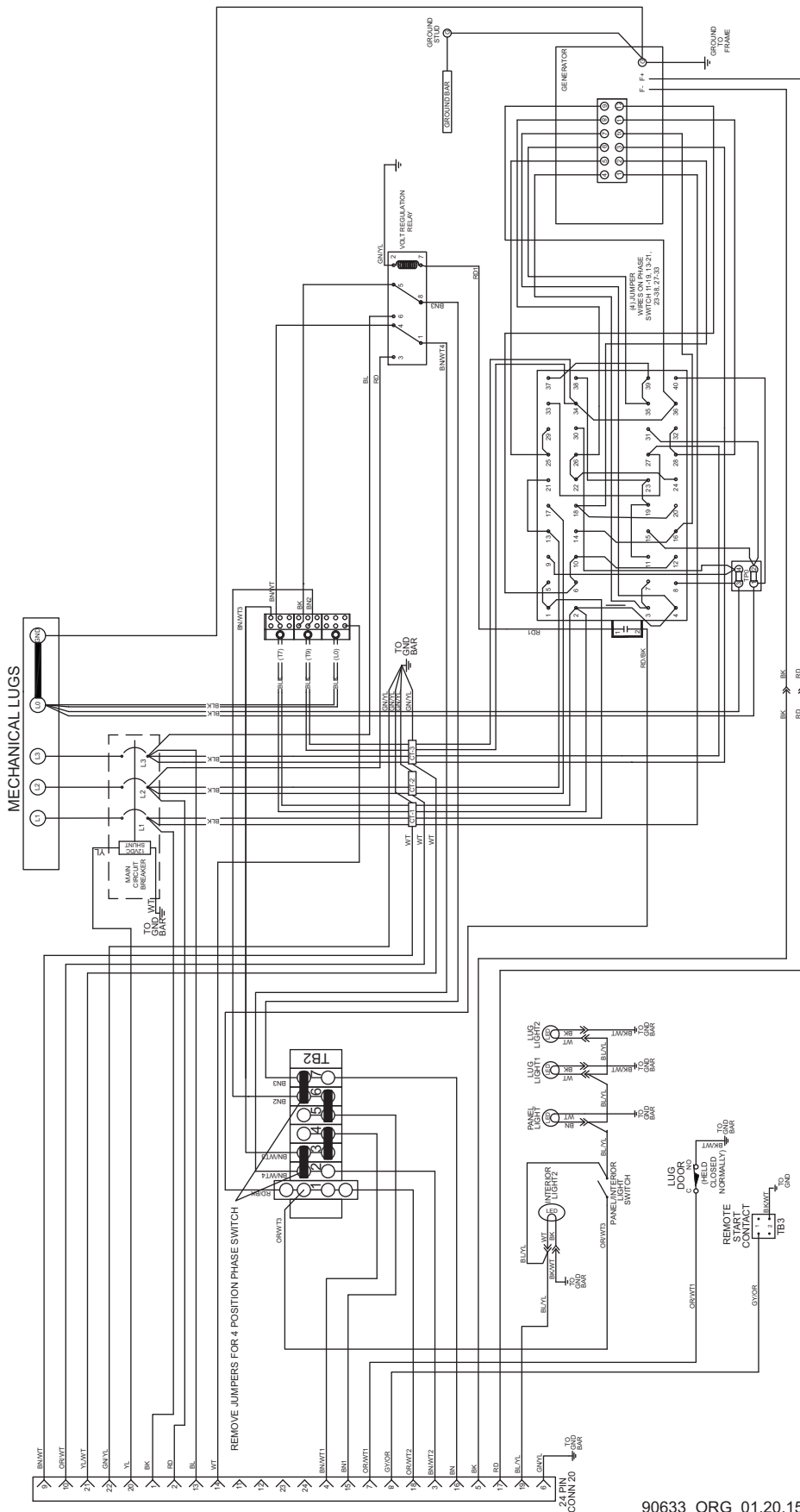
AC WIRING - MMG35DF4, MMG55DF4



AC WIRING - 4 POS. VOLTAGE SELECTOR SWITCH OPTION - MMG25IF4, MMG45IF4

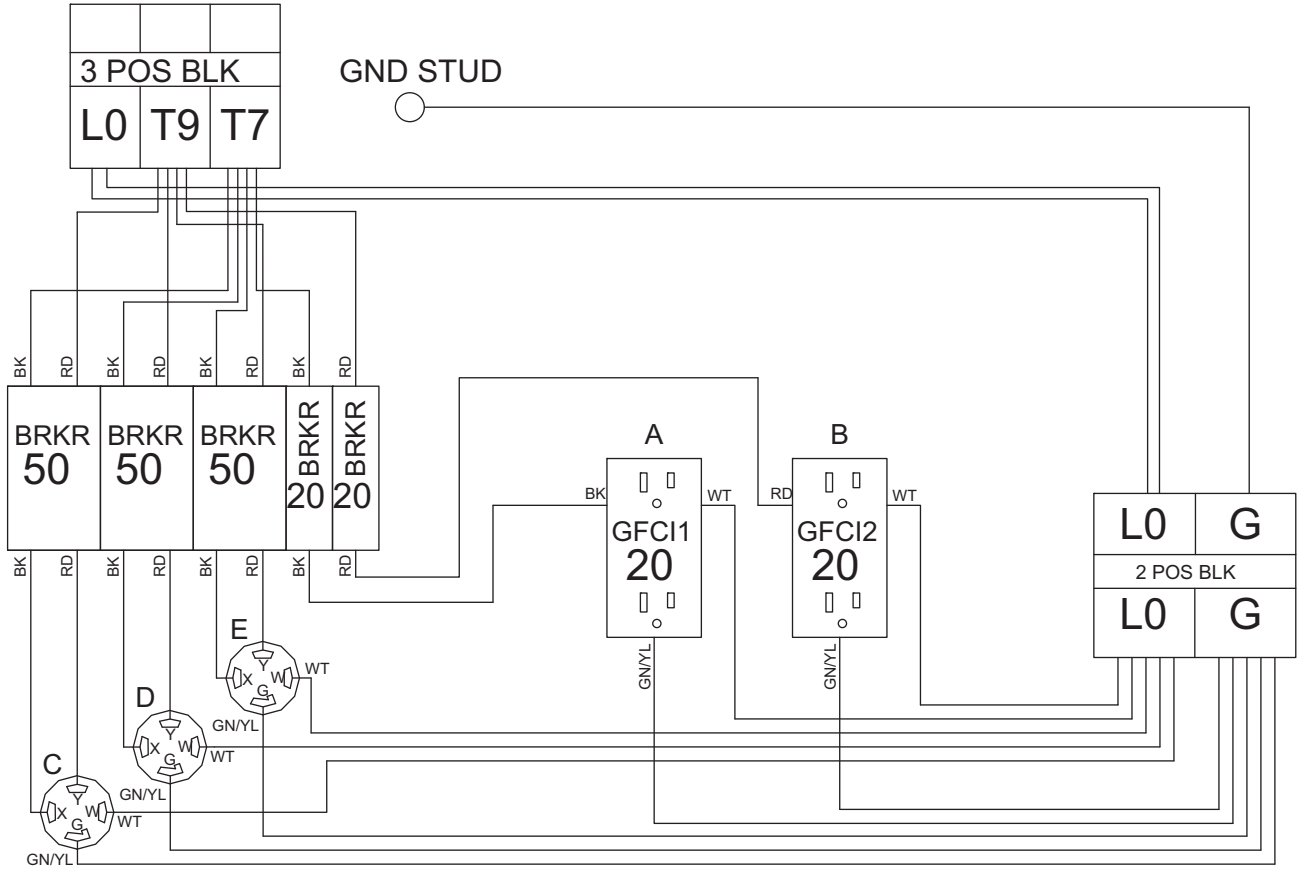


AC WIRING - 4 POS. VOLTAGE SELECTOR SWITCH OPTION - MMG35DF4, MMG55DF4



90633_ORG_01.20.15

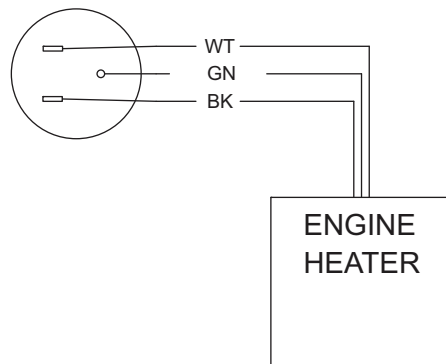
AC WIRING OPTION - STANDARD RECEPTACLES



90582_ORG_08.18.14

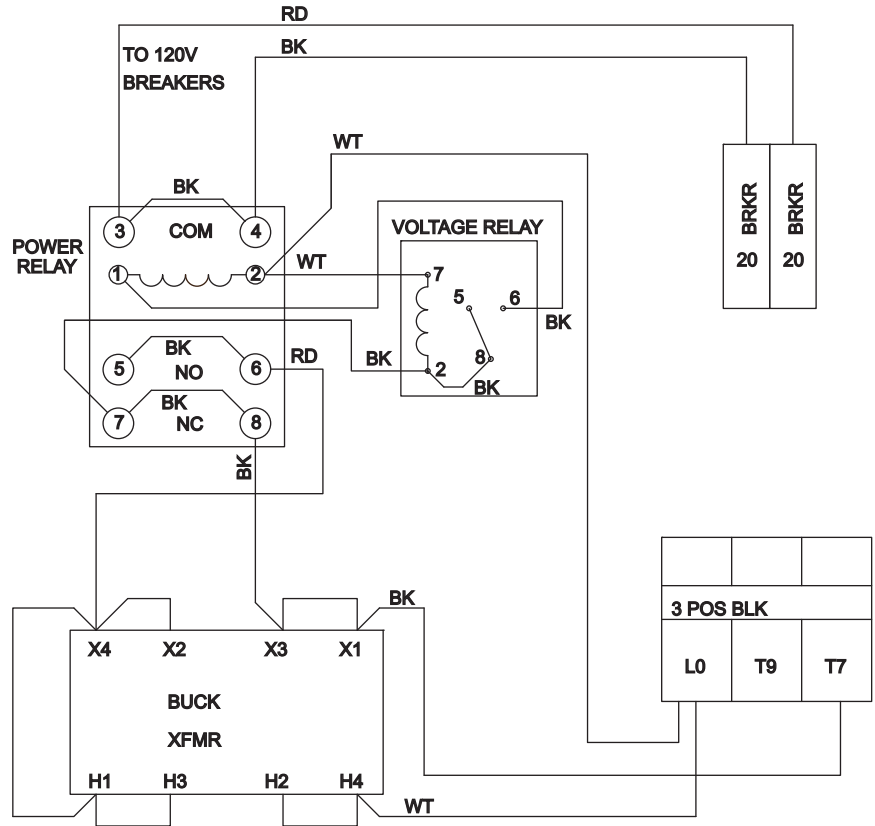
AC WIRING OPTION - ENGINE HEATER

EDISON PLUG



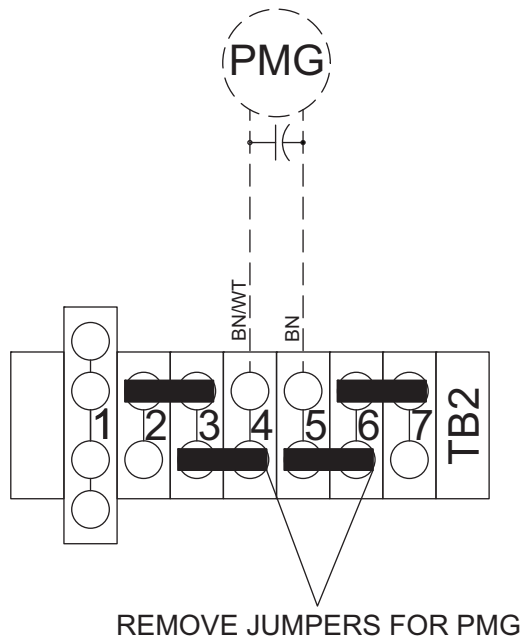
90594_ORG_10.29.14

AC WIRING OPTION - BUCK TRANSFORMER



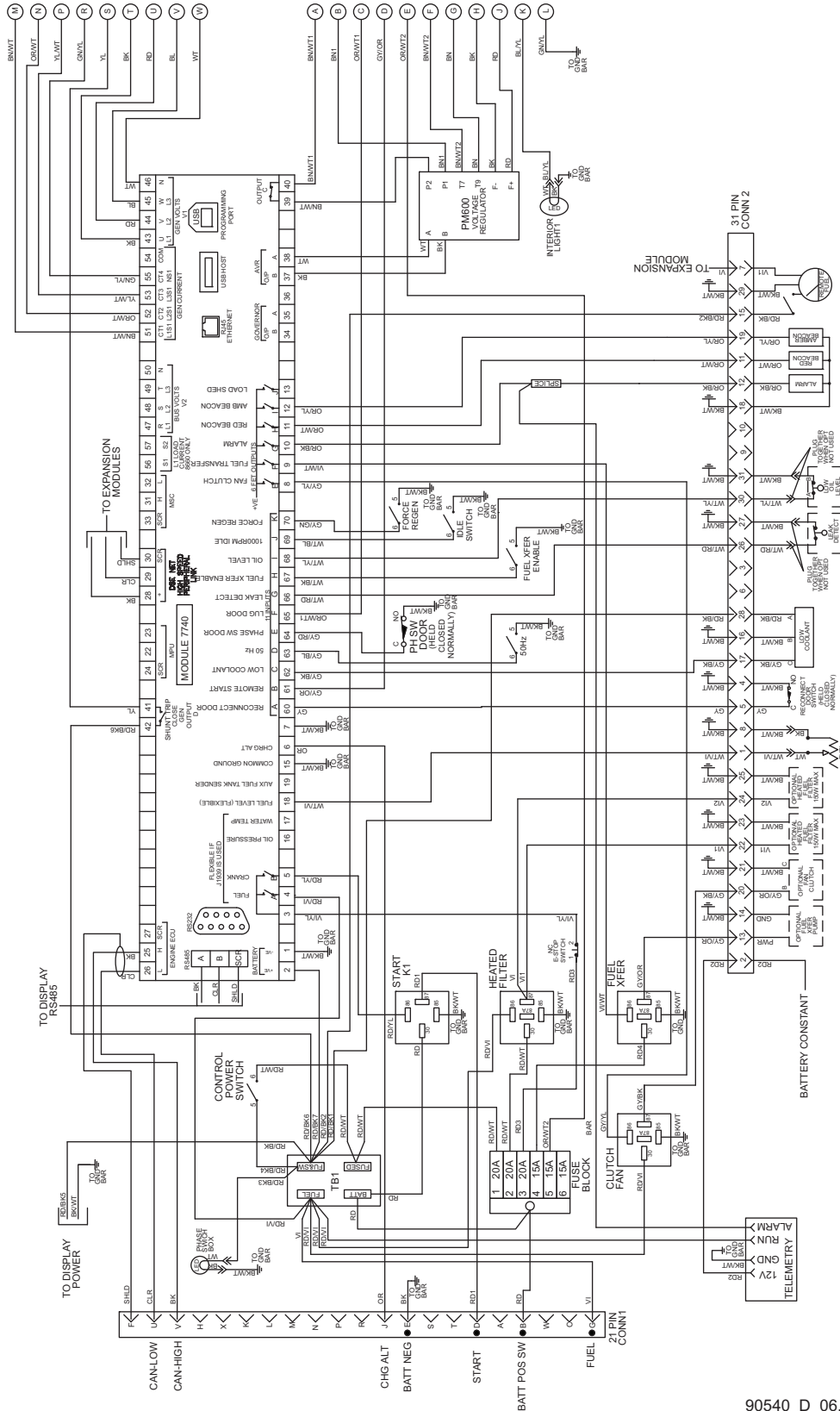
90583_ORG_08.18.14

AC WIRING OPTION - PMG



90589_ORG_08.18.14

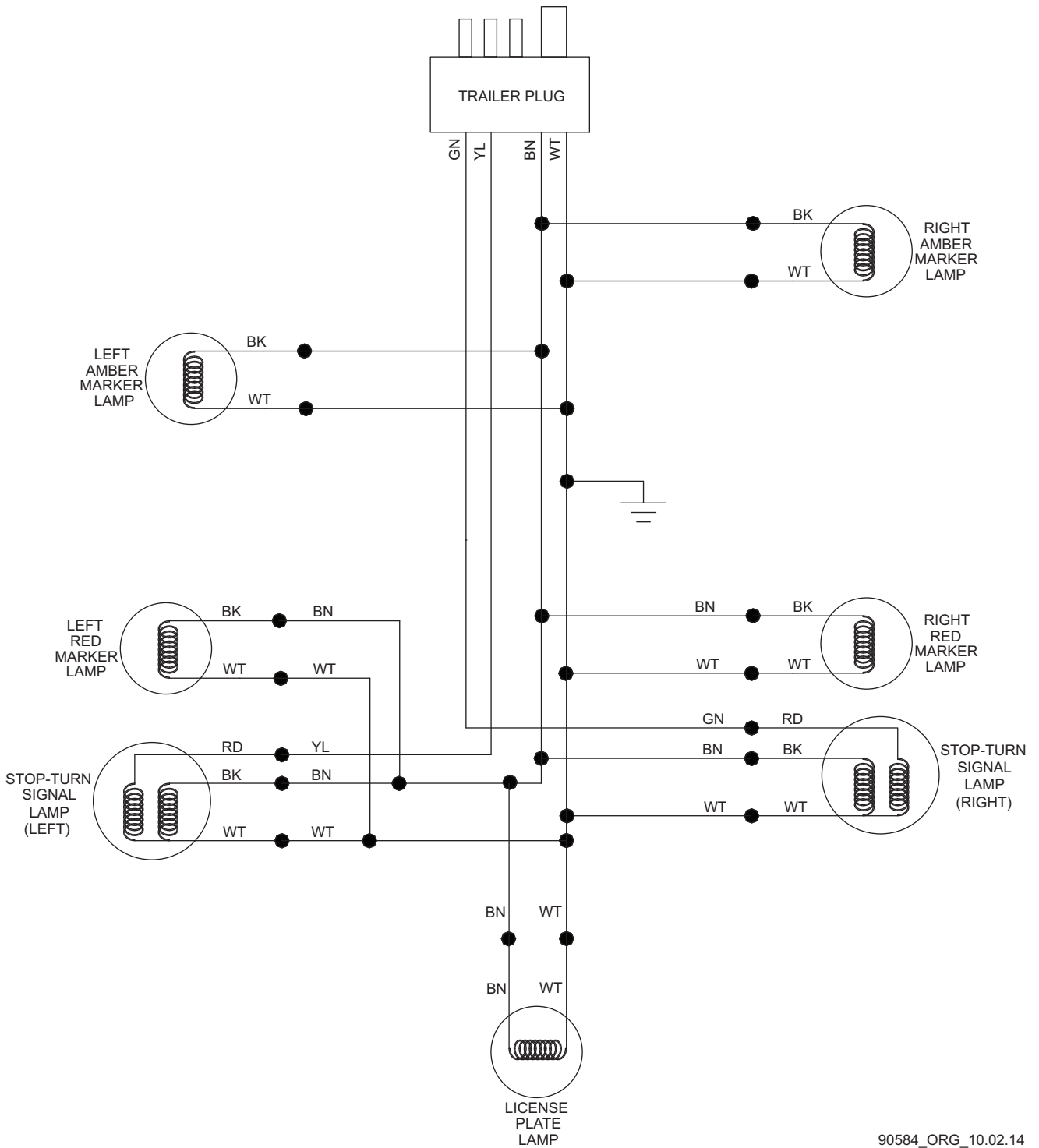
DC WIRING



NOTES:
 1. TO ADD OPTIONAL REMOTE ANNUNCIATOR (COMMUNICATIONS)
 FOR ATT GENERAC USE ANALOG EXPANSION MODULE.

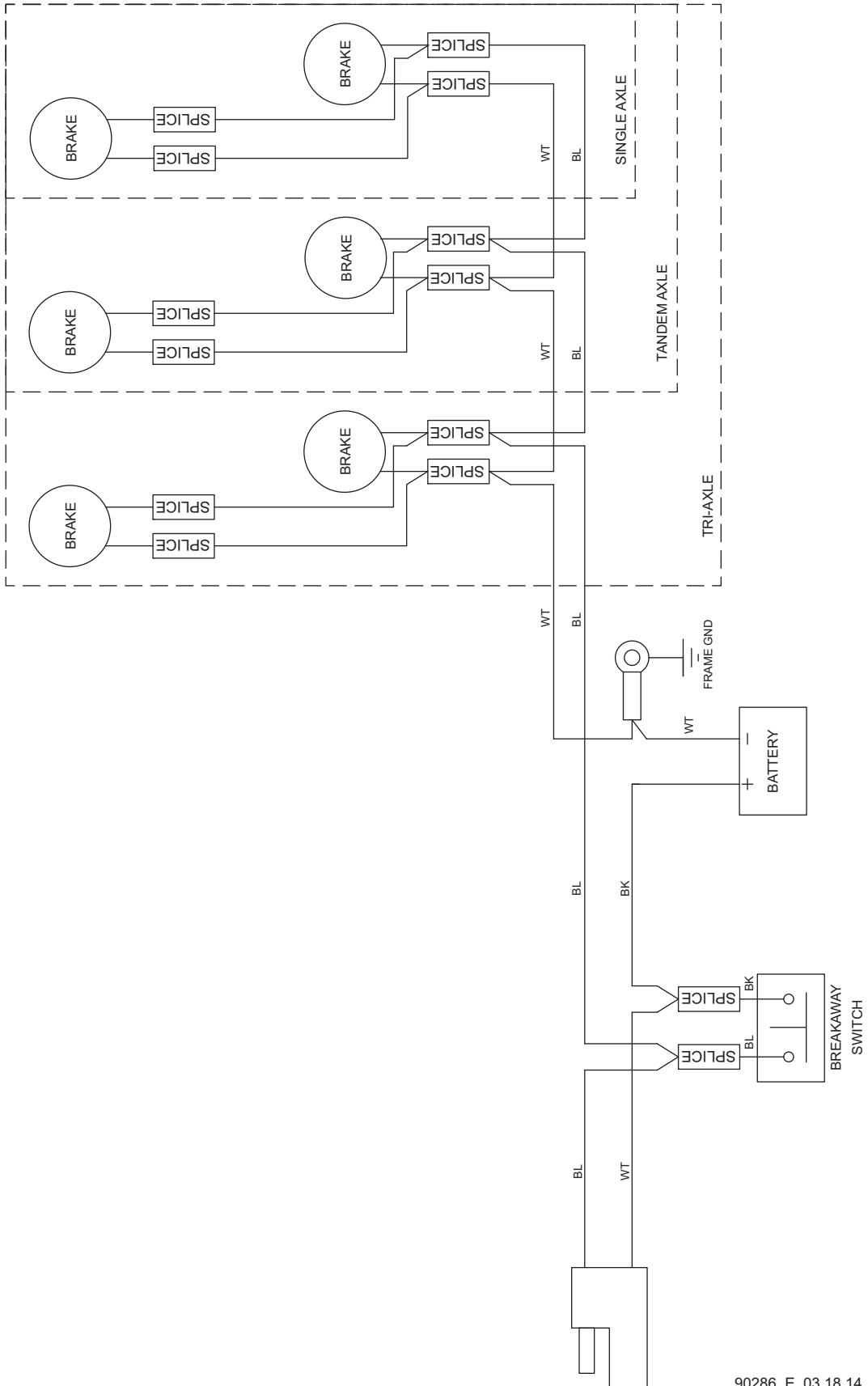
90540_D_06.15.15

TRAILER LIGHTS WIRING



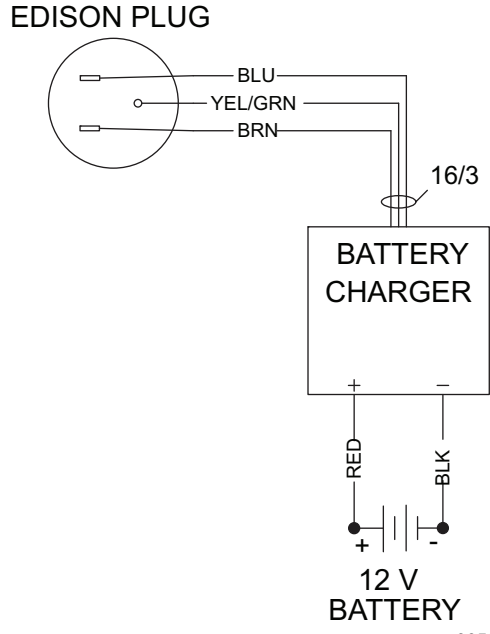
90584_ORG_10.02.14

WIRING HARNESS - ELECTRIC BRAKE OPTION



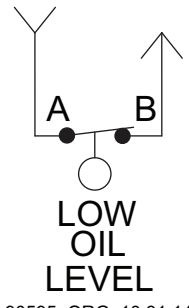
90286_E_03.18.14

DC WIRING OPTION - 12V BATTERY CHARGER



90593_ORG_10.29.14

DC WIRING OPTION - LOW OIL LEVEL



90595_ORG_10.31.14

Section 7 - Options & Accessories

GENERATOR CAM LOCK CONNECTIONS OPTION

The unit may be equipped with cam lock connections, located below the connection lugs. These receptacles provide connection points for the attachment of external loads to the generator. A decal near the cam lock connections details the proper connections for selected voltages.

⚠ WARNING

It is **HIGHLY RECOMMENDED** that only a trained and licensed electrician perform any wiring and related connections to the generator. Installation should be in compliance with the National Electrical Code (NEC), state and local regulations. Failure to follow proper installation requirements may result in equipment or property damage, personal injury or death.

⚠ WARNING

Before any connections are made to the generator, verify the main circuit breaker and the Control Power switch are OFF (O) and the negative (-) battery cable is disconnected. Potentially lethal voltages may be present at the generator connection lugs.

⚠ DANGER

IMPROPER OR INCORRECT CONNECTIONS TO A BUILDING'S ELECTRICAL SYSTEM CAN CAUSE POTENTIALLY LETHAL VOLTAGE TO BACKFEED INTO UTILITY LINES. THIS MAY RESULT IN INJURY OR ELECTROCUTION TO UTILITY WORKERS NEARBY. MAKE SURE THE GENERATOR IS SUPPLYING POWER TO AN ISOLATED OBJECT OR BUILDING THAT IS NOT CONNECTED TO ANY UTILITY LINES.

Connections should be made by plugging power cables equipped with series 16 taper nose 400A/600V cam lock plugs into the cam lock receptacles. Secure the connection by rotating the plug a 1/2 turn to the right.

L1	Black
L2	Red
L3	Blue
N (Neutral)	White
G (Ground)	Green

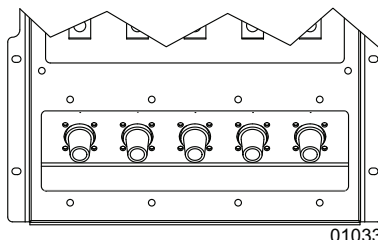


Figure 7-1. Cam Lock Connections

⚠ WARNING

NEVER attempt to disable or modify the lug door safety switch. Equipment damage, personal injury or death may result.

A ground connection is located on the far right of the cam lock panel. The unit **MUST** be connected to ground for proper operating safety. The generator neutral is bonded to ground when it is shipped from the factory. The bonding plate will need to be removed when the generator is used as a standby power source. **INSTALLATION SHOULD BE IN COMPLIANCE WITH THE NATIONAL ELECTRICAL CODE (NEC), STATE AND LOCAL REGULATIONS.**

VISCOUS FAN CLUTCH OPTION

The viscous fan clutch option allows the engine cooling fan to engage at lower speeds and disengage at higher speeds, increasing cooling system efficiency. The cooling fan will engage at full speed when the coolant temperature rises. When the fan is operating at full speed, it will switch to a slower speed when the coolant temperature drops. There will be an audible difference when the engine cooling fan switches speeds. Depending on unit model, the temperature ranges vary between 170°F and 200°F (77°C and 93°C).

Service Log

OIL GRADE: _____ BRAND: _____

COOLANT MIXTURE: _____ BRAND: _____

Date	Hours to Service	Oil Level	Coolant Level

Date	Hours to Service	Oil Level	Coolant Level

