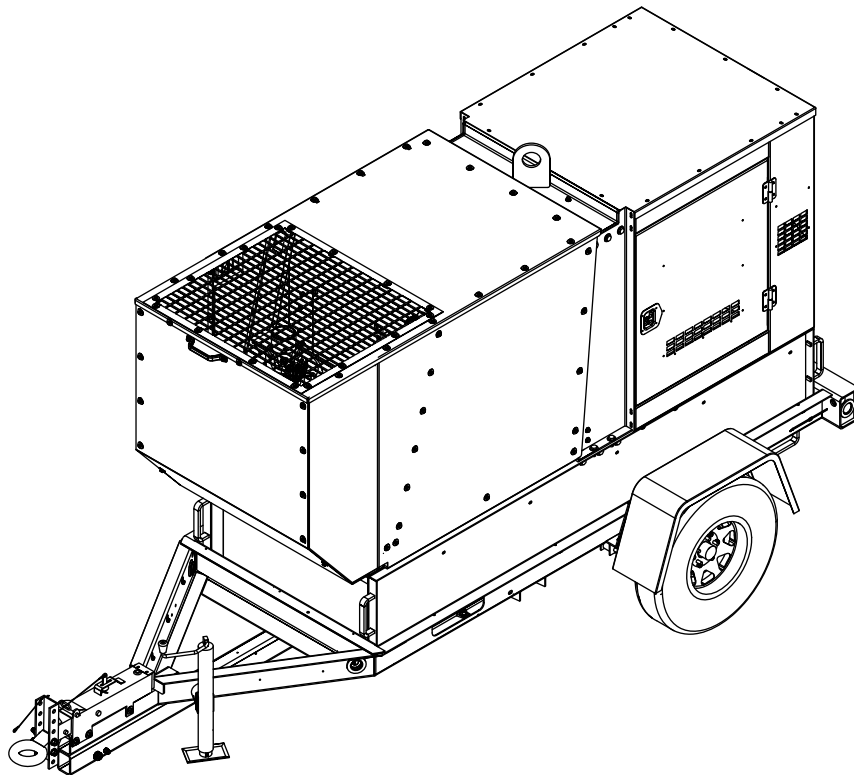


Owner's Manual

Diesel Generator

MDG75DF4 • MDG100DF4



For technical assistance contact:
www.generacmobileproducts.com
Technical Support
1-800-926-9768

SAVE THIS MANUAL FOR FUTURE REFERENCE

Use this page to record important information about your Mobile Generator

Unit Model No.	
Unit Serial No.	
Engine Model No.	
Engine Serial No.	
Generator Model No	
Generator Serial No.	
Date Purchased	

Record the information found on your unit data label on this page. See [Unit and Serial Number Locations](#).

Engine and generator serial numbers are located on separate data plates affixed to the engine and generator respectively.

When contacting a Generac Mobile Products Authorized Service Dealer (GMP ASD) about parts and service, always supply the complete model number and serial number of the unit.

Operation and Maintenance: Proper maintenance and care of the generator ensures a minimum number of problems and keeps operating expenses at a minimum. It is the operator's responsibility to perform all safety checks, to verify that all maintenance for safe operation is performed promptly, and to have the equipment checked periodically by a GMP ASD. Normal maintenance, service and replacement of parts are the responsibility of the owner/operator and, as such, are not considered defects in materials or workmanship within the terms of the warranty. Individual operating habits and usage may contribute to the need for additional maintenance or service.

WARNING

Operating, servicing and maintaining this equipment can expose you to chemicals including engine exhaust, carbon monoxide, phthalates, and lead, which are known to the State of California to cause cancer and birth defects or other reproductive harm. To minimize exposure, avoid breathing exhaust, do not idle the engine except as necessary, service your equipment in a well-ventilated area and wear gloves or wash your hands frequently when servicing your equipment. For more information go to www.P65Warnings.ca.gov. (000393)

WARNING

Breathing diesel engine exhaust exposes you to chemicals known to the State of California to cause cancer and birth defects or other reproductive harm.

- Always start and operate the engine in a well-ventilated area.
 - If in an enclosed area, vent the exhaust to the outside.
 - Do not modify or tamper with the exhaust system.
 - Do not idle the engine except as necessary.
- For more information go to www.P65Warnings.ca.gov/diesel. (000394)

Table of Contents

Section 1: Introduction and Safety

Introduction	1
Read This Manual Thoroughly	1
How to Obtain Service	1
Safety Rules	1
Safety Symbols and Meanings	1
General Hazards	2
Trailer Hazards	2
Electrical Hazards	3
Explosion and Fire Hazards	3
Battery Hazards	4
Fuel Hazards	4
Engine Safety	4
Operating Safety	5
Positioning the Unit	5
Towing Safety	5
Hitch and Coupling	5
Safe Towing Techniques	5
Reporting Trailer Safety Defects	5
Safety and Operating Decals	6

Section 2: General Information

Specifications	11
Unit Dimensions	12
Component Locations	13
Control Panel Component Locations	14
Unit and Serial Number Locations	15
Altitude and Temperature Limitations	15
Diesel Exhaust Fluid (DEF)	15
DEF Specification	15
DEF Warning	15
DEF Storage Guidelines	16
DEF Tank Refilling	16
Selective Catalytic Reduction (SCR) Monitoring	17
PowerZone® Controller	18
Controller Features and Functions	19
Operator Screens	19
Maintenance Screens	21
Generator Summary	21
Engine Tab	21
Generator Tab	21
Alarms Tab	22

Input/Output Tab	22
Scheduler Tab	23
Status Tab	23
Generator Monitoring	23
Engine Monitoring	23
PowerZone Controller Information Displays, Functions, and Reset	23
Voltage Selector Switch	23

Section 3: Operation

Pre-start Checklist	25
Manually Starting the Unit	25
AUTO (Remote) Starting the Unit	26
Parallel Setup and Operation (If Equipped)	27
Manual Parallel	27
Automatic Parallel	27
Shutting Down the Units in MANUAL Mode	27
Wet Stacking	27
Cold Weather Operation	28
Using a Booster Battery or Charger (If Equipped) ..	28
Generator Output Connections	29
Generator Cam Lock Connection(s) (If Equipped) .	30
Using the Voltage Selector Switch	30
Fine Voltage Adjustment	31
Voltage Regulator	31
Achieving 240V 3-Phase in 208V 3-Phase (Parallel Low Wye) Configuration	31
Changing Back to 208V Configuration	32
Customer Convenience Receptacles	32
Main Circuit Breaker	33
DOC and SCR Cleaning Operations	33
Disabling Automatic (AUTO) Exhaust After-Treatment Cleaning	33
Force a Manual Exhaust After-Treatment Cleaning ..	33
Enable Exhaust After-Treatment Cleaning	34
Transfer Switch	34
AUTO Exercise Timer	35
Accessing the Configuration Menu	35
Set the Controller Clock	35
Set the Schedule	35
Setting Up a Daily Scheduled Run	35
Set the Unit to AUTO Mode	35
Shutting Down the Unit	35

Emergency Stop Switch	36
Using the ECU Override Switch	36
Front Hood Operation	36
To Open the Front Hood	36
To Close the Front Hood	37
Towing the Unit	37
Lifting the Unit	38

Section 4: Maintenance

Emissions Information	39
Maintenance	39
Daily Walk Around Inspection	39
Belt Tensioners	39
General Maintenance	39
Engine Oil Recommendations	40
Recommended Oil Types	40
Coolant Recommendation	40
Basic Maintenance Schedule	40
Engine Break-In Requirements	42
Resetting the Maintenance Alarms	42
Testing DEF	42
DEF Tank Cleaning	42
Disposal of DEF	43
Check Generator Drive Plate Torque	43
Jack Maintenance	43
Side-Wind Models	43
Top-Wind Models	43
Trailer Wheel Bearings	43

Section 5: Troubleshooting

General Troubleshooting	45
--------------------------------------	-----------

Section 6: Wiring Diagrams and Service Log

Wiring Diagrams	47
Service Log	55

Section 1: Introduction and Safety

Introduction

Thank you for purchasing a Generac Mobile Products LLC product. This unit has been designed to provide high performance, efficient operation, and years of use when maintained properly.

The information in this manual is accurate based on products produced at the time of publication. The manufacturer reserves the right to make technical updates, corrections, and product revisions at any time without notice.

Read This Manual Thoroughly



Consult Manual. Read and understand manual completely before using product. Failure to completely understand manual and product could result in death or serious injury. (000100a)

If any section of this manual is not understood, contact your nearest Generac Mobile Products Authorized Service Dealer (GMP ASD), or contact Generac Mobile Products Technical Service at 1-800-926-9768 or www.generacmobileproducts.com with any questions or concerns.

The owner is responsible for proper maintenance and safe use of the equipment. Comply with regulations the Occupational Safety and Health Administration (OSHA) has established, or with equivalent standards. Also, verify that the unit is applied, used, and maintained in accordance with the manufacturer's instructions and recommendations. Do nothing that might alter safe application/usage and render the unit in noncompliance with the aforementioned codes, standards, laws, and regulations.

Save these instructions for future reference. This manual contains important instructions for the unit that should be followed during setup, operation and maintenance of the unit and battery. ALWAYS supply this manual to any individual who uses this machine.

How to Obtain Service

When the unit requires service or repairs, contact a Generac Mobile Products Authorized Service Dealer (GMP ASD) for assistance. Service technicians are factory-trained for all service needs.

To locate a GMP ASD, go to:

www.generacmobileproducts.com/parts-service/find-service

When contacting a GMP ASD about parts and service, always supply the complete model number and serial number of the unit from the data decal located on the unit. Record the model number and serial numbers in the spaces provided on the inside front cover of this manual.

Safety Rules

The manufacturer cannot anticipate every possible circumstance that might involve a hazard. The warnings in this manual, and on tags and decals affixed to the unit are, therefore, not all inclusive. If using a procedure, work method or operating technique that the manufacturer does not specifically recommend, verify it is safe for others. Also make sure the procedure, work method or operating technique utilized does not render the equipment unsafe.

Safety Symbols and Meanings

Throughout this publication, and on tags and decals affixed to the unit, DANGER, WARNING, CAUTION and NOTE blocks are used to alert personnel to special instructions about a particular operation that may be hazardous if performed incorrectly or carelessly. Observe them carefully. Their definitions are as follows:



Indicates a hazardous situation which, if not avoided, will result in death or serious injury.

(000001)



Indicates a hazardous situation which, if not avoided, could result in death or serious injury.

(000002)



Indicates a hazardous situation which, if not avoided, could result in minor or moderate injury.

(000003)

NOTE: Notes contain additional information important to a procedure and will be found within the regular text of this manual.

These safety alerts cannot eliminate the hazards that they indicate. Common sense and strict compliance with the special instructions while performing the action or service are essential to preventing accidents.

General Hazards



⚠ DANGER

Asphyxiation. Running engines produce carbon monoxide, a colorless, odorless, poisonous gas. Carbon monoxide, if not avoided, will result in death or serious injury. (000103)



⚠ DANGER

Asphyxiation. Do not operate unit without a properly functioning exhaust system. Doing so will result in death or serious injury. (000340)



⚠ WARNING

Loss of life. This product is not intended to be used in a critical life support application. Failure to adhere to this warning could result in death or serious injury. (000209b)



⚠ WARNING

Hearing Loss. Hearing protection is recommended when using this machine. Failure to wear hearing protection could result in permanent hearing loss. (000107)



⚠ WARNING

Vision loss. Eye protection is required when operating unit. Failure to wear appropriate eye protection could result in vision loss or serious injury. (000407)



⚠ WARNING

Moving Parts. Keep clothing, hair, and appendages away from moving parts. Failure to do so could result in death or serious injury. (000111)



⚠ WARNING

Hot Surfaces. When operating machine, do not touch hot surfaces. Keep machine away from combustibles during use. Hot surfaces could result in severe burns or fire. (000108)

⚠ WARNING

Equipment damage. Do not attempt to start or operate a unit in need of repair or scheduled maintenance. Doing so could result in serious injury, death, or equipment failure or damage. (000291)

⚠ WARNING

Risk of injury. Do not operate or service this machine if not fully alert. Fatigue can impair the ability to service this equipment and could result in death or serious injury. (000215)

⚠ WARNING

Equipment damage. Only qualified service personnel may install, operate, and maintain this equipment. Failure to follow proper installation requirements could result in death, serious injury, and equipment or property damage. (000182a)

⚠ CAUTION

Equipment or property damage. Do not block air intake or restrict proper air flow. Doing so could result in unsafe operation or damage to unit. (000229)

Trailer Hazards

⚠ WARNING

Personal injury. Trailer must be securely coupled to the hitch with the chains correctly attached. Uncoupled or unchained towing could result in death or serious injury. (000233a)

⚠ WARNING

Personal injury. Do not operate unit during transport. Doing so could result in death, serious injury, or property damage. (000231a)

⚠ WARNING

Crushing hazard. Verify unit is properly secured and on level ground. An unsecured unit can suddenly roll or move, causing death or serious injury. (000234a)

⚠ WARNING

Property or Equipment Damage. Tighten wheel lug nuts after first 50 miles to factory specifications. Failure to do so could result in death, serious injury, property or equipment damage. (000235)

Electrical Hazards



⚠ DANGER

Electrocution. In the event of electrical accident, immediately shut power OFF. Use non-conductive implements to free victim from live conductor. Apply first aid and get medical help. Failure to do so will result in death or serious injury. (000145)



⚠ DANGER

Electrocution. Water contact with a power source, if not avoided, will result in death or serious injury.

(000104)



⚠ DANGER

Electrocution. Contact with bare wires, terminals, and connections while generator is running will result in death or serious injury.

(000144)



⚠ DANGER

Electrocution. Verify electrical system is properly grounded before applying power. Failure to do so will result in death or serious injury.

(000152)



⚠ DANGER

Electrocution. Turn utility supply OFF before working on utility connections of the transfer switch. Failure to do so will result in death or serious injury.

(000123)



⚠ DANGER

Electrocution. Never connect this unit to the electrical system of any building unless a licensed electrician has installed an approved transfer switch. Failure to do so will result in death or serious injury.

(000150)



⚠ WARNING

Explosion. Batteries emit explosive gases. Always disconnect negative battery cable first to avoid spark. Failure to do so could result in death or serious injury.

(000238)

Lifting Hazards



⚠ WARNING

Personal injury. Failure to properly connect lifting cables, chains, or straps could result in death, serious injury, or property damage.

(000346)

⚠ WARNING

Personal Injury. Do not use lifting eye if there are signs of damage or corrosion. Doing so could result in death, serious injury, or property damage.

(000433)

⚠ WARNING

Personal Injury. Do not use lifting eye other than as directed. Doing so could result in death, serious injury, or property damage.

(000434)

⚠ WARNING

Personal Injury. Verify all fasteners are properly tightened prior to lifting unit. Failure to do so could result in death, serious injury, or property damage.

(000351)

Explosion and Fire Hazards



⚠ DANGER

Explosion and Fire. Fuel and vapors are extremely flammable and explosive. Add fuel in a well ventilated area. Keep fire and spark away. Failure to do so will result in death or serious injury.

(000105)



⚠ WARNING

Fire risk. Fuel and vapors are extremely flammable. Do not operate indoors. Doing so could result in death, serious injury, or property or equipment damage.

(000281)



⚠ WARNING

Risk of Fire. Unit must be positioned in a manner that prevents combustible material accumulation underneath. Failure to do so could result in death or serious injury.

(000147)

Battery Hazards



⚠ DANGER

Electrocution. Do not wear jewelry while working on this equipment. Doing so will result in death or serious injury.

(000188)



⚠ WARNING

Explosion. Batteries emit explosive gases while charging. Keep fire and spark away. Wear protective gear when working with batteries. Failure to do so could result in death or serious injury.

(000137a)



⚠ WARNING

Explosion. Do not dispose of batteries in a fire. Batteries are explosive. Electrolyte solution can cause burns and blindness. If electrolyte contacts skin or eyes, flush with water and seek immediate medical attention.

(000162)



⚠ WARNING

Risk of burn. Do not open or mutilate batteries. Batteries contain electrolyte solution which can cause burns and blindness. If electrolyte contacts skin or eyes, flush with water and seek immediate medical attention.

(000163a)

⚠ WARNING

Environmental Hazard. Always recycle batteries at an official recycling center in accordance with all local laws and regulations. Failure to do so could result in environmental damage, death or serious injury.

(000228)

Always recycle batteries in accordance with local laws and regulations. Contact your local solid waste collection site or recycling facility to obtain information on local recycling processes. For more information on battery recycling, visit the Battery Council International website at: <http://batteryCouncil.org>

Fuel Hazards



⚠ DANGER

Explosion and fire. Fuel and vapors are extremely flammable and explosive. No leakage of fuel is permitted. Keep fire and spark away. Failure to do so will result in death or serious injury.

(000192)



⚠ DANGER

Risk of fire. Allow fuel spills to completely dry before starting engine. Failure to do so will result in death or serious injury.

(000174)

- **DO NOT** fill fuel tank near an open flame, while smoking, or while engine is running. **DO NOT** fill tank in an enclosed area with poor ventilation.
- **DO NOT** operate with the fuel tank cap loose or missing.

Engine Safety

Internal combustion engines present special hazards during operation and fueling. Failure to follow the safety guidelines described below could result in severe injury or death. Read and follow all safety alerts described in the engine operator's manual. A copy of this manual was supplied with the unit when it was shipped from the factory.

- **DO NOT** run engine indoors or in an area with poor ventilation. Verify engine exhaust cannot seep into closed rooms or ventilation equipment.
- **DO NOT** clean air filter with gasoline or other types of low flash point solvents.
- **DO NOT** operate the unit without a functional exhaust system.
- Shut the engine down if any of the following conditions exist during operation:
 - Abnormal change in engine speed.
 - Loss of electrical output.
 - Equipment connected to the unit overheats.
 - Sparking occurs.
 - Engine misfires or there is excessive engine/generator vibration.
 - Protective covers are loose or missing.
 - Ambient air temperature is above 120°F (49°C).

Operating Safety

Positioning the Unit



Crushing hazard. Verify unit is properly secured and on level ground. An unsecured unit can suddenly roll or move, causing death or serious injury.

(000234a)

- The area immediately surrounding the unit should be dry, clean, and free of debris.
- If the unit is equipped with a frame grounding stud, follow any local, state, and National Electrical Code (NEC) guidelines when connecting.

Towing Safety

Towing a trailer requires care. Both the trailer and vehicle must be in good condition and securely fastened to each other to reduce the possibility of an accident. Some states require that large trailers be registered and licensed. Contact your local Department of Transportation office to check on license requirements for your particular unit.

Hitch and Coupling

- Verify the hitch and coupling on the towing vehicle are rated equal to, or greater than, the trailer's Gross Vehicle Weight Rating (GVWR).
- Verify the trailer hitch and the coupling are compatible. Verify the coupling is securely fastened to the vehicle.
- **DO NOT** tow trailer using defective parts. Inspect the hitch and coupling for wear or damage.
- Connect safety chains in a crossing pattern under the tongue.
- Before towing the trailer, verify the weight of the trailer is equal across all tires. On trailers with adjustable height hitches, adjust the angle of the trailer tongue to keep the trailer as level as possible.

Safe Towing Techniques

- Practice turning, stopping and backing up in an area away from heavy traffic prior to transporting the unit.
- Maximum recommended speed for highway towing is 45 mph (72 km/h). Recommended off-road towing speed is 10 mph (16 km/h) or less, depending on terrain.
- When towing, maintain extra space between vehicles and avoid soft shoulders, curbs and sudden lane changes.

Reporting Trailer Safety Defects

If you believe your trailer has a defect which could cause a crash or could cause injury or death, you should immediately inform the National Highway Traffic Safety Administration (NHTSA) in addition to notifying Generac Mobile Products LLC.

If NHTSA receives similar complaints, it may open an investigation; and if it finds that a safety defect exists in a group of vehicles, it may order a recall and remedy campaign. However, NHTSA cannot become involved in an individual problem between you, your GMP ASD, or Generac Mobile Products LLC.

To contact NHTSA, you may either call the Auto Safety Hotline toll-free at 1-888-327-4236 (TTY:1-800-424-9153), go to <http://www.safercar.gov>; or write to:

Administrator
NHTSA
1200 New Jersey Avenue S.E.
Washington, DC 20590

You can also obtain other information about motor vehicle safety from <http://www.safercar.gov>.

Safety and Operating Decals

This unit features numerous safety and operating decals. These decals provide important operating instructions and warn of dangers and hazards. The following diagrams illustrate decal locations and descriptions.

Replace any missing or hard-to-read decals and use care when washing or cleaning the unit. Decal part numbers can be found in the parts manual at www.generacmobileproducts.com.

Table 1-1. Decal Descriptions

ID	Description
1	Lifting Point
2	Diesel Exhaust Fluid (DEF) Only
3	Engine Oil Drain
4	Engine Coolant Drain
5	Danger: Electric Shock Hazard
6	Towing Instructions
7	Tie-Down Location
8	Warning: Crushing Hazard
9	Ultra Low Sulfur Fuel Only
10	Danger: Diesel Fuel
11	Warning: Personal Injury
12	Electrical Ground
13	Fuel Return
14	Operator's Manual Must Be Stored on Machine
15	Warning: Personal Injury
16	Warning: Voltage Selector Switch
17	Warning: Generator Can Automatically Start
18	Fuel Pickup
19	Positive Battery Disconnect Switch
20	PowerZone Decal
21	Control Panel Light Switch
22	Interior Light Switch
23	Notice: Emissions Control Device Equipped
24	Neutral Bonded to Frame
25	Electrical Output
26	Remote Start Terminal Connections
27	Battery Charger
28	Cam Lock Connections
29	Engine Block Heater
30	Connection Terminal Lugs
31	Regeneration Switch
32	Read and Understand Operator's Manual
33	Circuit Breaker Switch Operation
34	Operating Instructions
35	Danger: Electrical Backfeed
36	Relay Labeling
37	Electrical Components
38	Fan Clutch
39	Fuel Heater

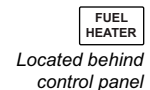
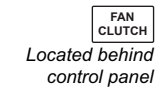
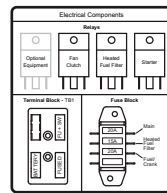
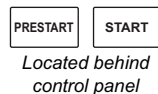
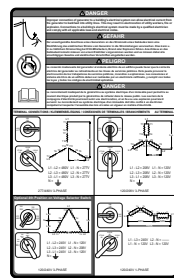
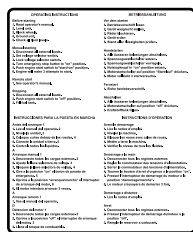
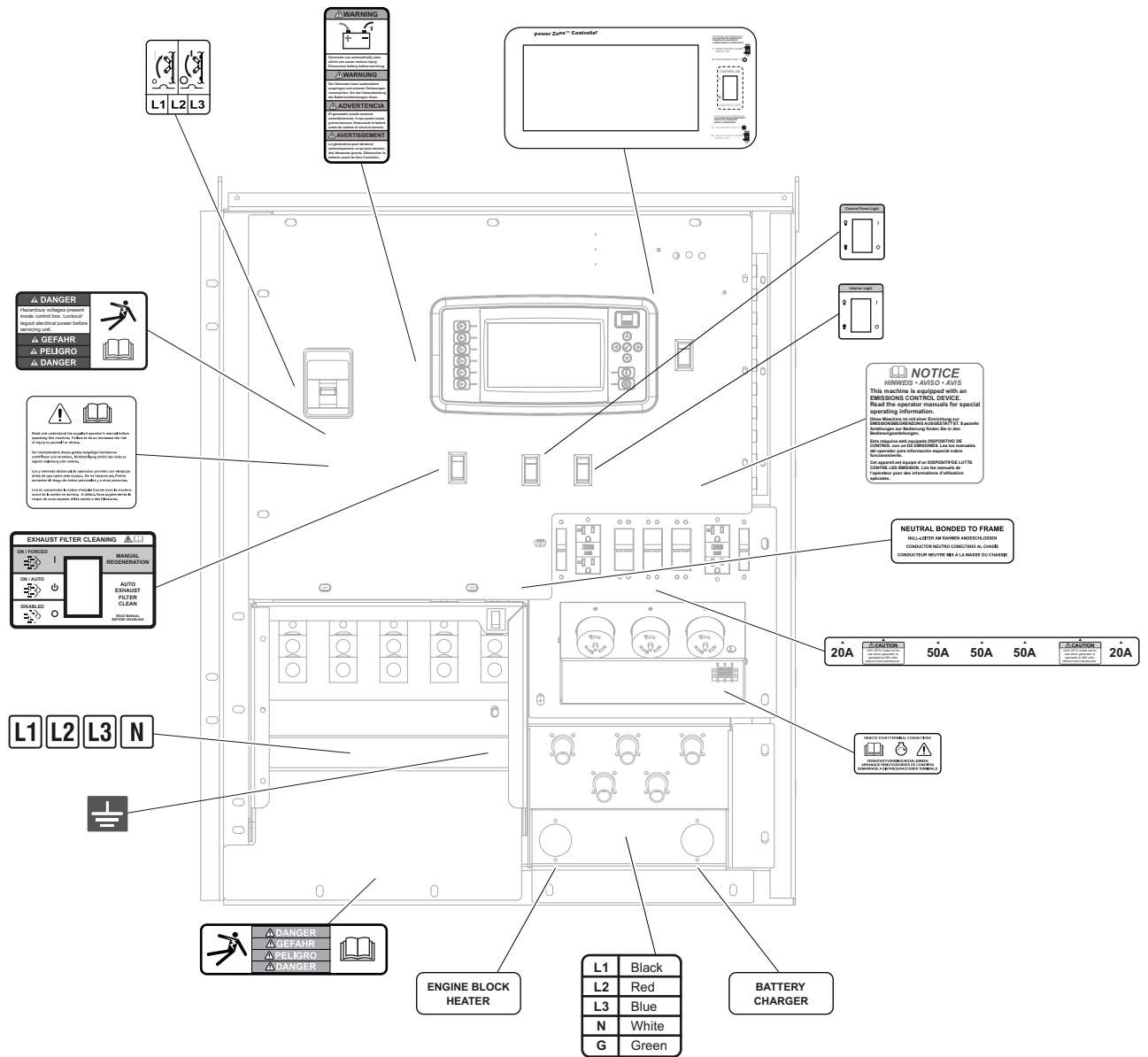
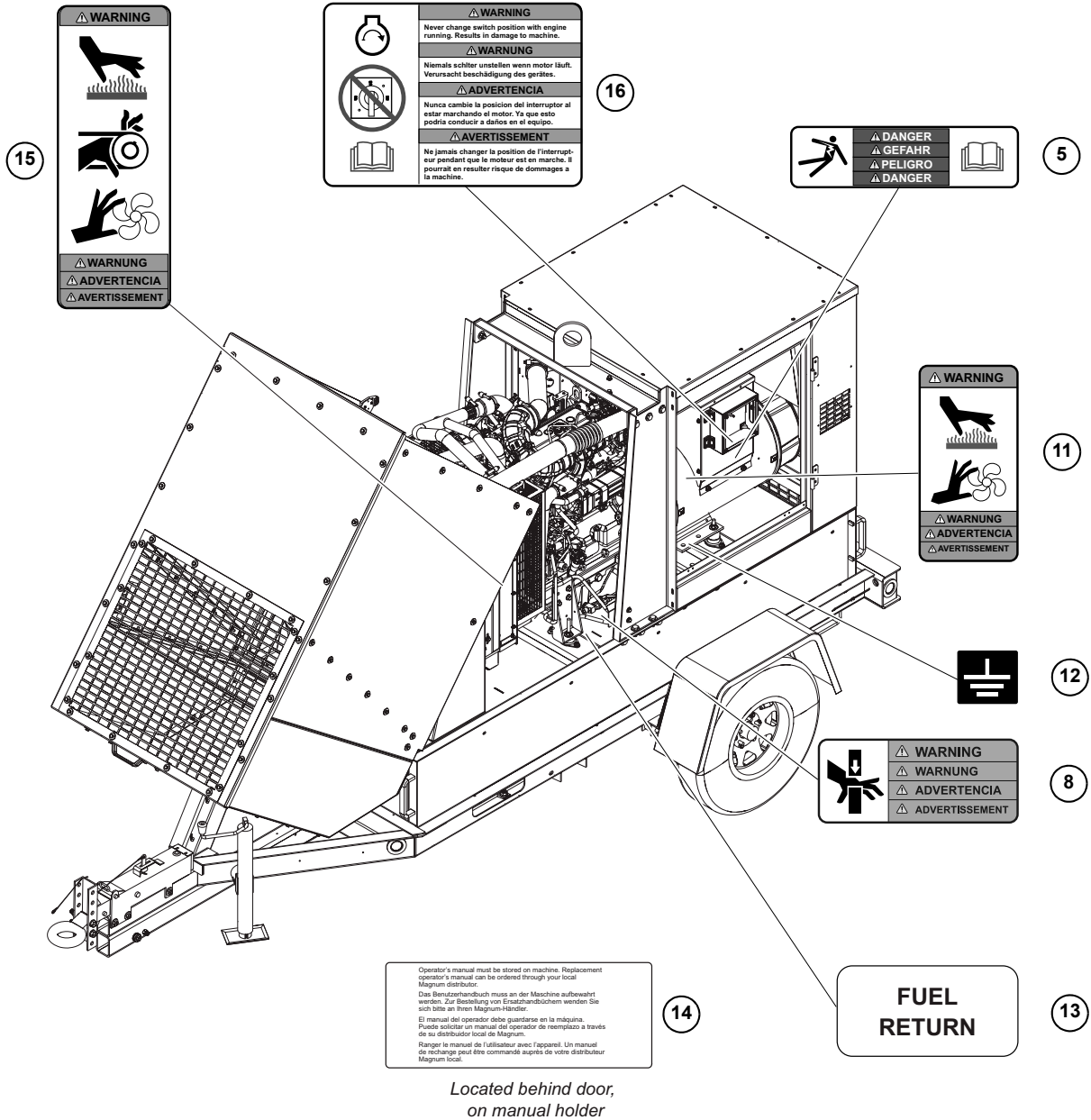


Figure 1-1. Exterior Decals



006240

Figure 1-2. Left Side Interior Decals

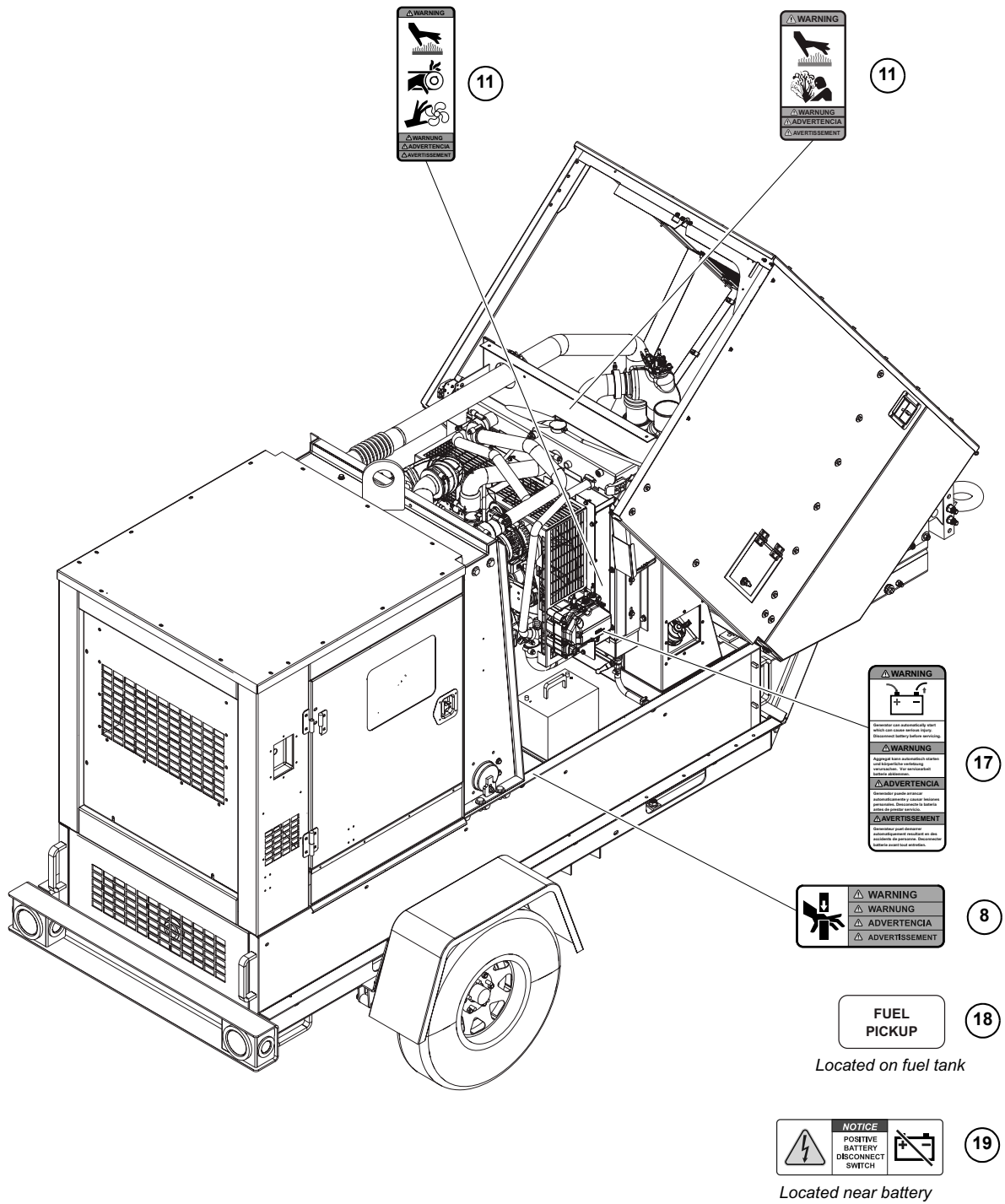


Figure 1-3. Right Side Interior Decals

006241

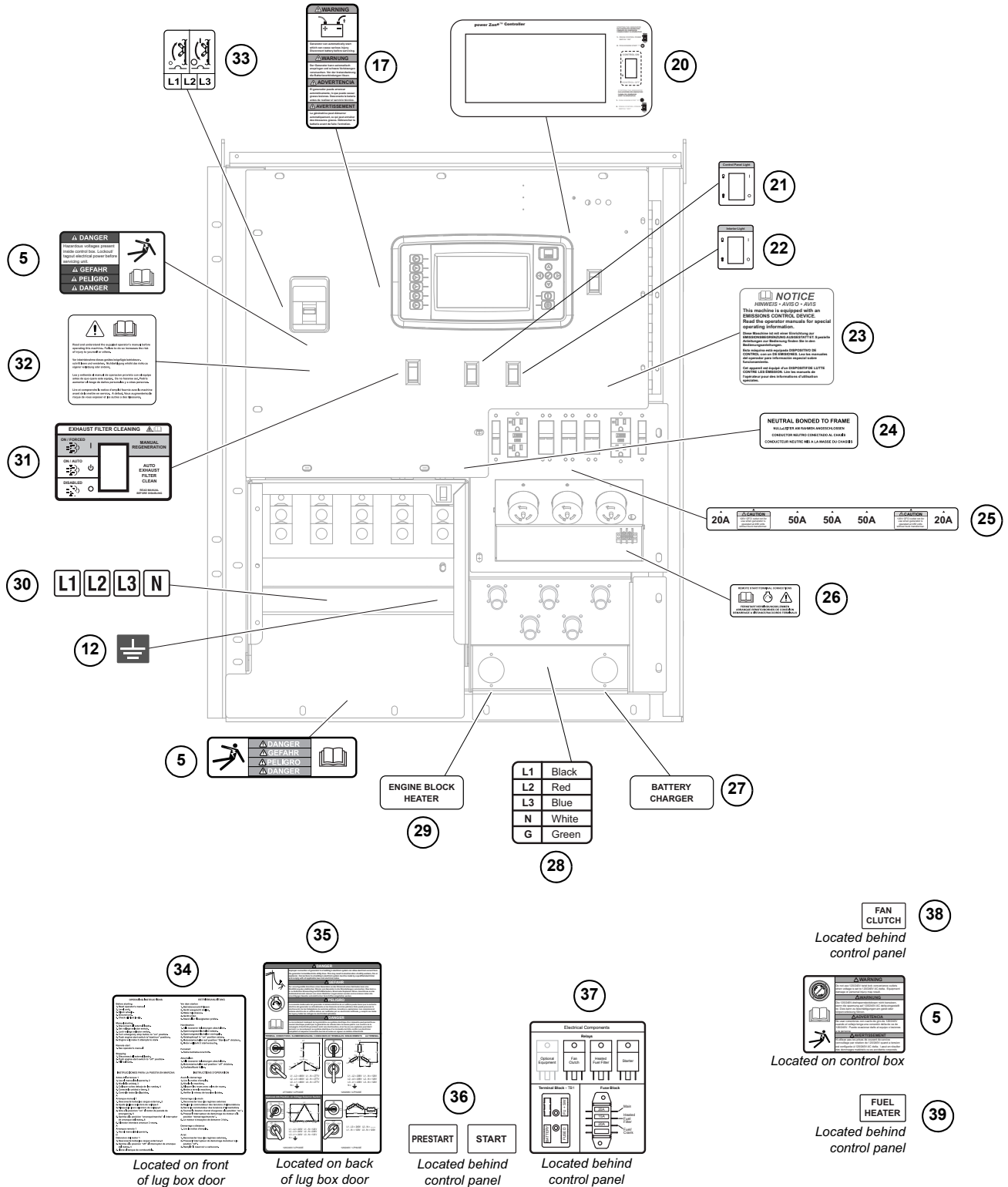


Figure 1-4. Control Panel Decals

006242

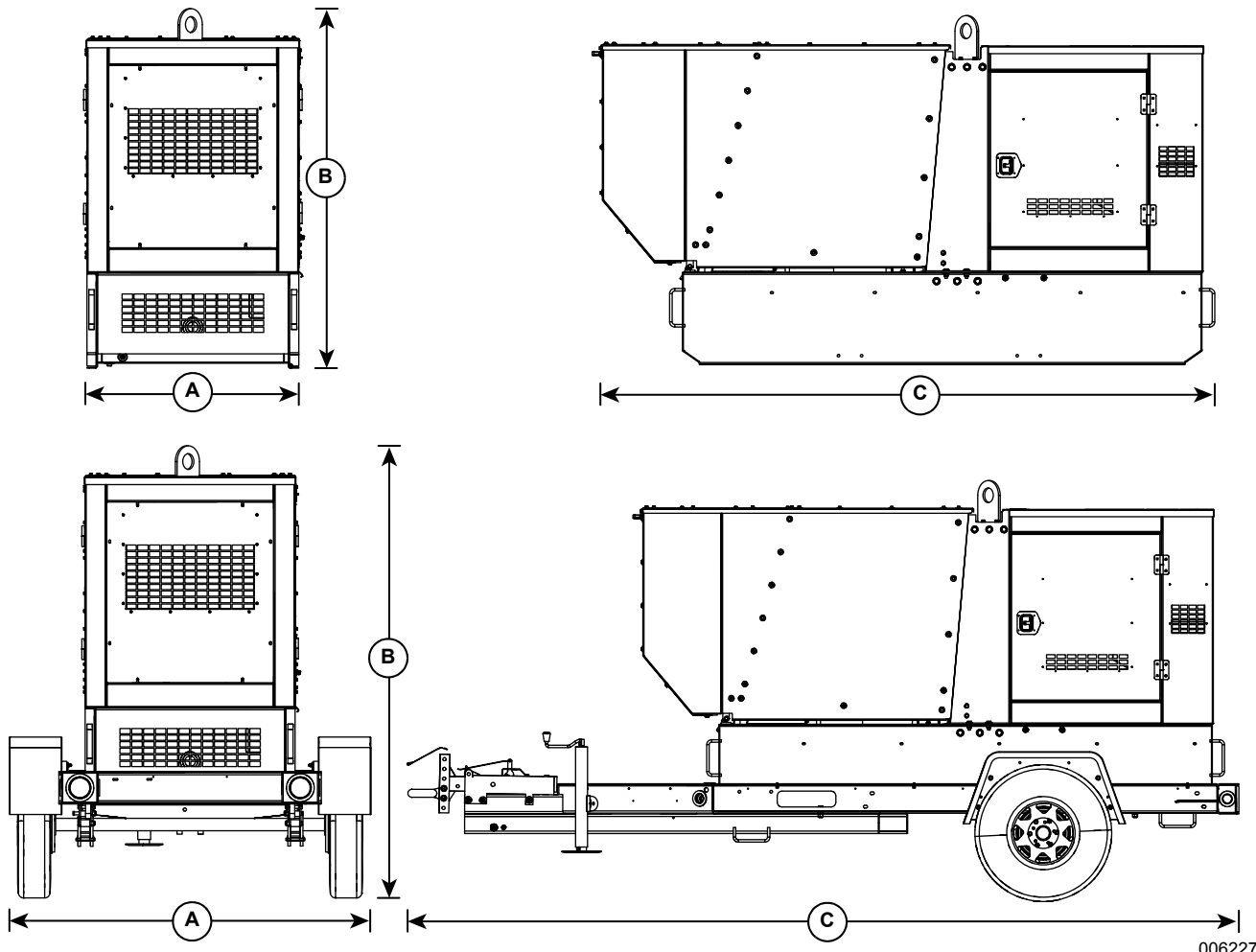
Section 2: General Information

Specifications

Description	Units	MDG100DF4	MDG75DF4
Engine			
EPA Tier	—	4	4
Fuel consumption—100% prime	gph (lph)	6.01 (22.72)	4.85 (22.72)
Fuel consumption—75% prime	gph (lph)	4.51 (17.07)	3.74 (17.07)
Fuel consumption—50% prime	gph (lph)	3.17 (12.02)	2.69 (12.02)
DEF consumption—100% prime	gph (lph)	0.26 (0.98)	0.21 (0.98)
DEF consumption—75% prime	gph (lph)	0.19 (0.73)	0.16 (0.73)
DEF consumption—50% prime	gph (lph)	0.14 (0.52)	0.12 (0.52)
Battery type—group number	—	31	31
Battery voltage	quantity per unit	12V	12V
Battery rating	amp-hours	1000 CCA	1000 CCA
Generator			
3Ø—standby	kW (kVA)	85.00 (106.25)	68.00 (85.00)
Amps—3Ø standby	480V (208V)	127.95 (295.27)	102.36 (232.22)
3Ø—prime kW	kW (kVA)	80.00 (100.00)	60.00 (75.00)
Amps—3Ø prime	480V (208V)	120.42 (267.48)	90.32 (215.37)
1Ø—standby	kW (kVA)	85.00 (85.00)	60.00 (60.00)
Amps—1Ø standby	240V	354.17	250.00
1Ø—prime	kW (kVA)	77.00 (77.00)	55.00 (55.00)
Amps—1Ø prime	240V	320.83	229.17
Frequency	Hz	60	60
Weights			
Dry weight—skid mounted	lb (kg)	3,980 (1,805)	3,730 (1,692)
Operating weight—skid mounted	lb (kg)	4,940 (2,240)	4,900 (2,222)
Dry weight—trailer mounted	lb (kg)	4,680 (2,122)	4,440 (2,014)
Operating weight—trailer mounted	lb (kg)	5,640 (2,558)	5,610 (2,544)
Capacities			
Fuel tank volume	gal (L)	165.00 (641.85)	165.00 (641.85)
Usable fuel volume	gal (L)	146.00 (567.94)	146.00 (567.94)
DEF tank volume	gal (L)	11.6 (44.3)	11.6 (44.3)
Usable DEF tank volume	gal (L)	9.00 (34.40)	9.00 (34.40)
Coolant (including engine)	gal (L)	16.7 (63.2)	16.7 (63.2)
Oil (including filter)	gal (L)	3.92 (15.00)	3.92 (15.00)

Description	Units	MDG100DF4	MDG75DF4
Maximum Run Time			
24 hour tank	hr	33.40	27.00
36 hour tank	hr	50.10	40.50
AC Distribution			
Circuit breaker size	A	400	300
Trailer			
Hitch—standard	—	3 in. ring	3 in. Ring
Maximum tire pressure	psi (kPA)	125 (862)	125 (862)
<i>Specifications are subject to change without notice. See the product specification sheet for complete list.</i>			

Unit Dimensions

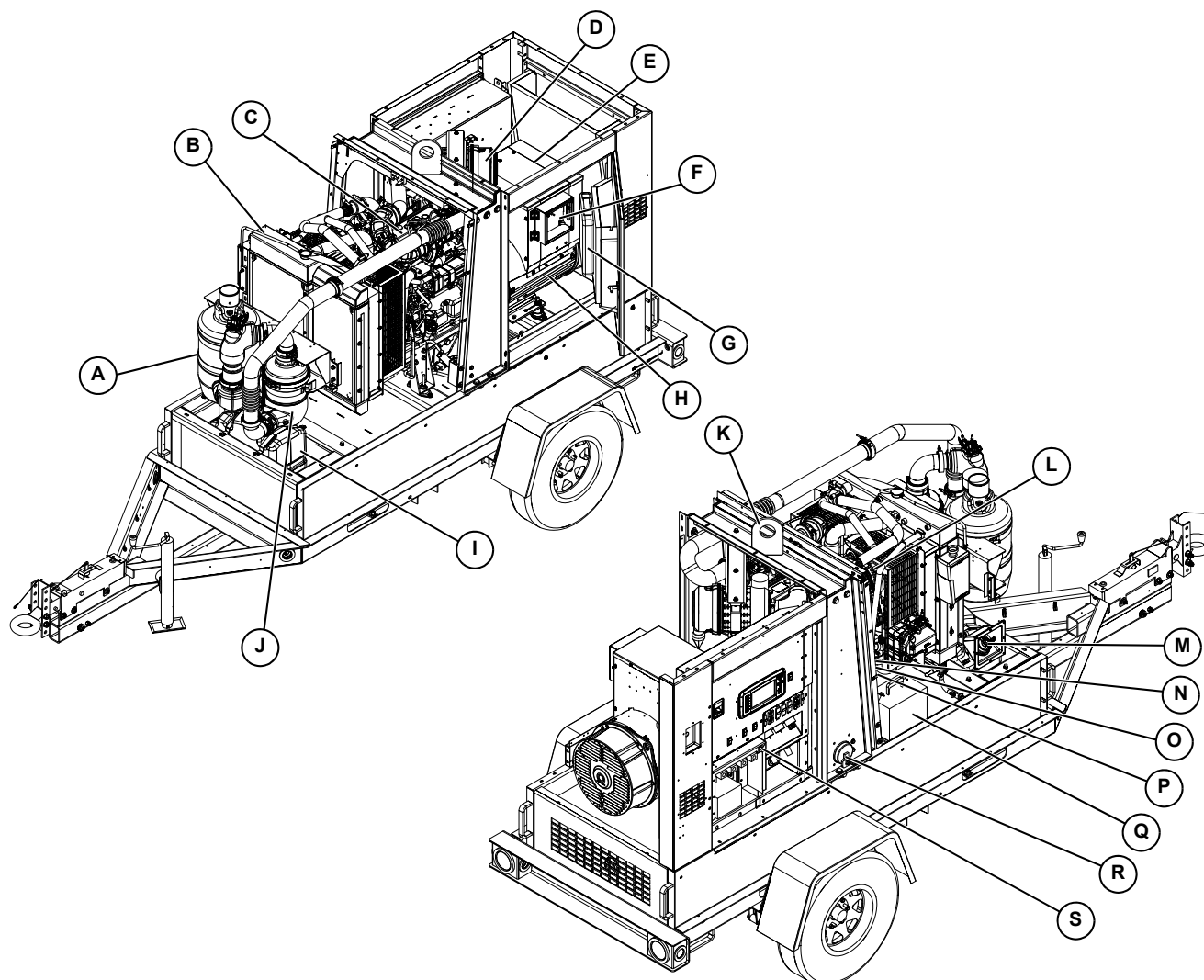


006227

Figure 2-1. Unit Dimensions

	A	B	C
Skid Mounted	40 in. (1.02 ft)	62 in. (1.57 ft)	119 in. (3.02 ft)
Trailer Mounted	69 in. (1.75 ft)	80 in. (2.03 ft)	170 in. (4.32 ft)

Component Locations

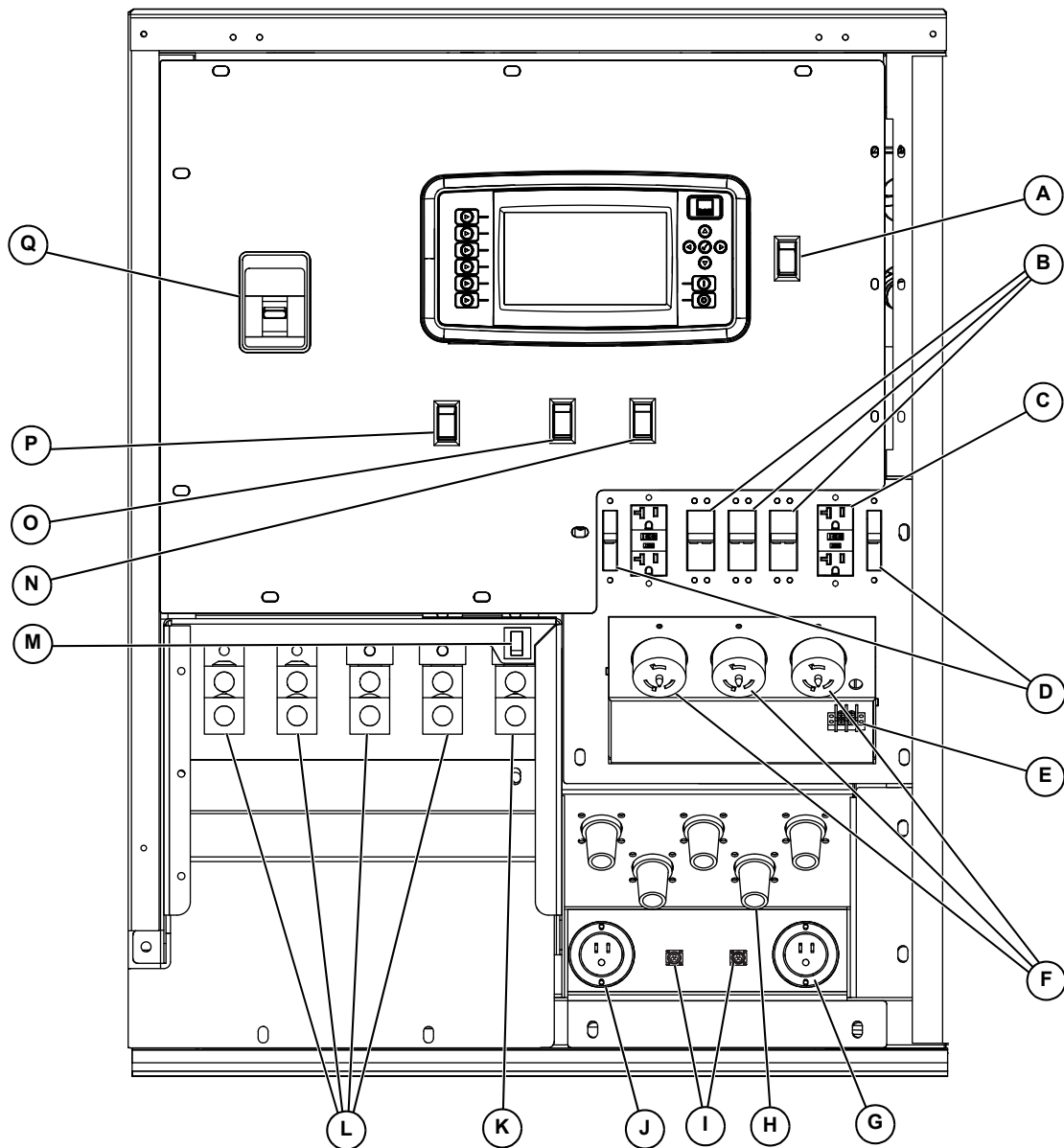


006228

Figure 2-2. Component Locations (MDG75 Shown)

- | | |
|---|---|
| A Selective catalytic reduction (SCR) module | K Central lift point |
| B Radiator | L Alternator |
| C Engine | M Diesel exhaust fluid (DEF) fill |
| D Air filter | N Oil dipstick (behind right-hand lift post) |
| E Generator box | O Fuel filter (behind right-hand lift post) |
| F Voltage selector switch | P Oil filter (behind right-hand lift post) |
| G Manual holder | Q Battery |
| H Generator | R Fuel fill |
| I DEF tank | S Control panel |
| J Diesel oxidation catalyst (DOC) | |

Control Panel Component Locations



006229

Figure 2-3. Control Panel Component Locations

- | | |
|--|---|
| A Control power switch | J Battery charger plug (if equipped) |
| B 50A circuit breakers | K Ground lug |
| C 120V GFCI receptacles | L Terminal lugs |
| D 20A circuit breakers | M Lug door safety switch |
| E Remote start terminal block | N Interior light |
| F 120/240V twist-lock receptacles | O Control panel light |
| G Engine block heater plug (if equipped) | P Exhaust regeneration switch |
| H Cam lock receptacle (5) (if equipped) | Q Main circuit breaker |
| I Paralleling CAN receptacles (if equipped) | |

Unit and Serial Number Locations

See [Figure 2-4](#) to locate the unit ID tag (A) and vehicle identification number (VIN) tag (B). Important information such as the unit model number, serial number, VIN, and tire loading information are listed on these tags. Record the information from these tags in the event the tags are lost or damaged. This information may be needed when ordering parts or requesting assistance.

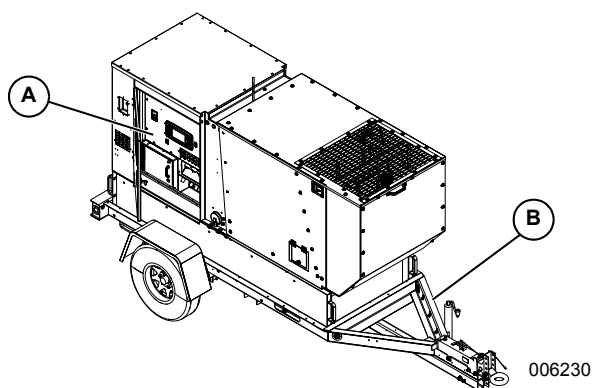


Figure 2-4. Unit and Serial Number Locations

Altitude and Temperature Limitations

All units are subject to derating for altitude and temperature. Derating reduces the available power for operating tools and accessories connected to the outlets. For the MDG75, the engine can provide full prime power up to an altitude of 13,100 ft (3,993 m). For the MDG100, the engine can provide full prime power up to an altitude of 8,400 ft (2,560 m). The maximum air temperature at which the unit can provide full prime power is defined in [Table 2-2](#). If the unit is operated beyond this limit at full power, the coolant temperature will exceed the maximum allowable limit of 235 °F (113 °C) and cause the engine to shut down.

Table 2-2. Altitude and Temperature Limitations

Model	Maximum Altitude		Maximum Air Temp.
	Prime Power	Standby Power	
MDG75	13,100 ft (3,993 m)	10,800 ft (3,292 m)	120°F (49°C)
MDG100	8,400 ft (2,560 m)	7,300 ft (2,225 m)	107°F (42°C)

Diesel Exhaust Fluid (DEF)

NOTE: Unit does not ship from factory with DEF in tank.

DEF Specification



Equipment damage. Do not alter DEF. Use approved DEF only. Failure to do so could cause equipment damage.

(000337)

Diesel exhaust fluid (DEF) is a high purity liquid that is injected into the exhaust system of SCR engines. Maintaining the purity of DEF is important to avoiding malfunctions in the SCR system. Engines requiring DEF shall use a quality product that meets the requirements for Aqueous Urea Solution 32 (AUS 32) according to ISO 22241-1. The use of John Deere DEF is recommended.

If John Deere DEF is not available, use DEF certified by the American Petroleum Institute (API) Diesel Exhaust Fluid Certification Program, or by the AdBlue™ Diesel Exhaust Fluid Certification program. Look for the API certification symbol or the AdBlue name on the container.

NOTE: Do not create DEF by mixing agricultural grade urea with water. Do not use additives, as this can damage the after treatment system.

DEF Warning

DEF can be corrosive to material such as steel, iron, zinc, nickel, copper, aluminum, and magnesium. The recommended material for transport and storage of DEF is made of polyethylene, polypropylene, or stainless steel. These are not all-inclusive lists. For additional information, see ISO 22241 or contact a DEF supplier.

DEF Storage Guidelines

WARNING

Risk of poisoning. Do not ingest diesel exhaust fluid. Seek medical attention immediately if consumed. Failure to do so could result in serious injury.

(000334)

WARNING

Personal injury. Do not inhale diesel exhaust fluid fumes. If breathing becomes difficult, move to an area with fresh air and seek medical attention immediately. Failure to do so could result in serious injury. (000335a)

WARNING

Personal injury. Avoid contact with eyes. Flush eyes thoroughly with water and seek medical attention immediately. Failure to do so could result in serious injury. (000336)

NOTE: Reference the Materials Safety Data Sheet (MSDS) for additional information.

DEF freezes at temperatures below 12°F (-11°C). Do not use additives to reduce the freezing temperature. Additives currently available are more corrosive than DEF, and will cause component and system degradation and negatively impact reliability. For more information, see the operator manual, or contact a DEF supplier.

DEF quality degrades rapidly at temperatures above 140°F (60°C). To maintain emissions compliance, the urea concentration must remain between 31.8–33.2%.

Ideal conditions for storage of DEF are:

- Store at temperatures between 23–86°F (-5–30°C)
- Store in sealed dedicated containers to avoid contamination and evaporation

Under these conditions, DEF is expected to remain usable for a minimum of 18 months. Storing DEF at higher temperatures can reduce its useful life by approximately six months for every 9°F (5°C) above 86°F (30°C). Long-term storage in the DEF tank (over 12 months) is not recommended. If long-term storage is necessary, test DEF prior to operating engine. See [Testing DEF](#).

DEF Tank Refilling

WARNING

Personal injury. Avoid prolonged contact with skin. Wash skin thoroughly with soap and water. Remove contaminated clothing and wash before reuse. Seek medical attention if skin becomes irritated. Failure to do so could result in personal injury. (000338a)

CAUTION

Equipment Damage. Immediately clean any surfaces with water that come in contact with diesel exhaust fluid. Failure to do so could result in equipment damage. (000365)

IMPORTANT NOTE: If DEF is filled into engine fuel tank or other fluid compartment, do not operate engine until system is properly purged of DEF. Contact your John Deere dealer immediately to determine how to clean and purge the system.

NOTE: Use only distilled water to rinse components that are used to deliver DEF. Tap water can contaminate DEF. If distilled water is not available, rinse with clean tap water, then thoroughly rinse with ample amounts of DEF.

Reasonable care should be taken when refilling the DEF tank. Verify the DEF tank cap area is free of debris before removing the cap. Wipe clean with a lint free cloth to remove debris from tank cap. Seal DEF containers between use to prevent contamination and evaporation. Avoid splashing DEF, and do not allow DEF to come into contact with skin, eyes, or mouth.

DEF can be corrosive to materials such as steel, iron, zinc, nickel, copper, aluminum, and magnesium. Use suitable containers to transport and store DEF. Containers made of polyethylene, polypropylene, or stainless steel are recommended.

NOTE: Keep anything used to store or dispense DEF clean of dirt and dust. Wash and rinse containers or funnels thoroughly with distilled water to remove contaminants.

If an unapproved fluid, such as diesel fluid or coolant is added to the DEF tank, **contact your John Deere dealer immediately** to determine how to clean and purge the system.

If water has been added to the DEF tank, a tank cleaning is necessary. After refilling the tank, check the DEF concentration. See [Testing DEF](#). The operator must maintain appropriate DEF levels at all times. Check the DEF level daily and refill the tank as needed. The filling port is identified by a blue colored cap embossed with the DEF symbol.

Selective Catalytic Reduction (SCR) Monitoring

This unit is equipped with a selective catalytic reduction (SCR) system to meet Tier 4 EPA emissions standards. This section gives an explanation of the indicators that are displayed on the SCR status page of the engine tab.

To access the SCR status page, press any direction button (▲, ►, ▼, ◀) to enter the maintenance screens, and when on the engine tab, press the ▼ button to toggle through the pages until the SCR status page appears. There are four areas on the SCR status page that communicate various information to the operator. The areas and the indicators that appear in those areas are explained here:

- HEST Lamp (High Exhaust System Temperature):** This area displays the regeneration underway indicator above the words HEST LAMP - SOLID when the unit is in the process of the exhaust catalyst. During the regeneration process, the exhaust temperature will be very high.

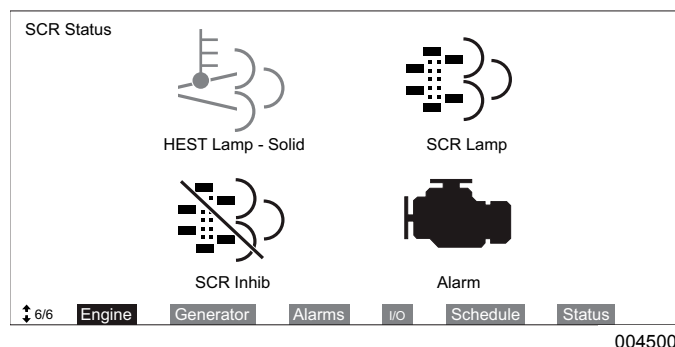


Figure 2-5. Regeneration Underway Indicator

- SCR Lamp:** This area displays the regeneration indicator above the words SCR LAMP - SOLID when auto exhaust filter cleaning is enabled. When the unit is being operated with auto exhaust filter cleaning disabled, the indicator will begin to flash above the words SCR LAMP - FLASHING if the soot load level goes above 80%.

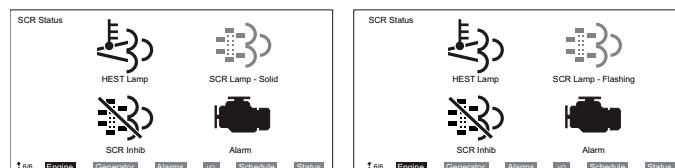


Figure 2-6. Regeneration Indicator

- SCR Inhib:** This area displays the disabled regeneration indicator above the words SCR INHIB - SOLID when auto exhaust filter cleaning is disabled.

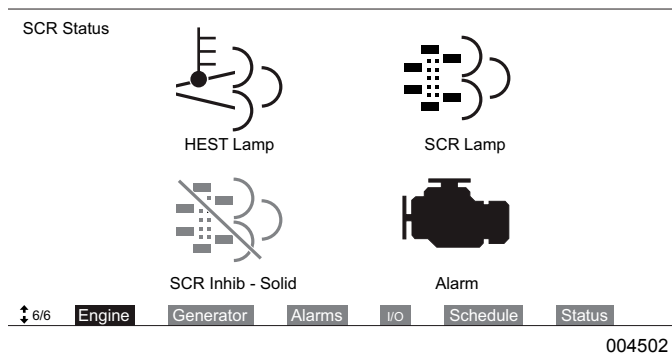


Figure 2-7. Disabled Regeneration Indicator

- Alarm:** This area will display the engine alarm indicator above the words ALARM - SOLID when an alarm condition occurs. This area displays different text depending upon which alarm condition occurs.

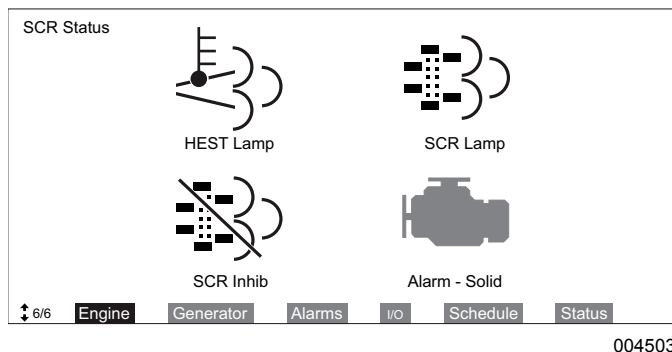


Figure 2-8. Engine Alarm Indicator

See [DOC and SCR Cleaning Operations](#) for more information on the operation of auto exhaust filter regeneration and service regeneration.

PowerZone® Controller

The PowerZone controller is an auto start controller that monitors the unit and indicates operational status and fault conditions. The controller can be programmed to automatically start or stop based on time schedule, fault condition, or load demand.

The controller constantly monitors vital generator and engine functions for a number of preprogrammed alarm and fault conditions. When a fault condition occurs, the

engine can shut down automatically and the display screen will show the fault that caused the shut down. The fault condition must be resolved to resume unit operation.

This controller records a history of unit performance, which may be viewed at any time and will not be lost when the controller is powered down.

NOTE: See [Controller Features and Functions](#) for descriptions of the callouts below.

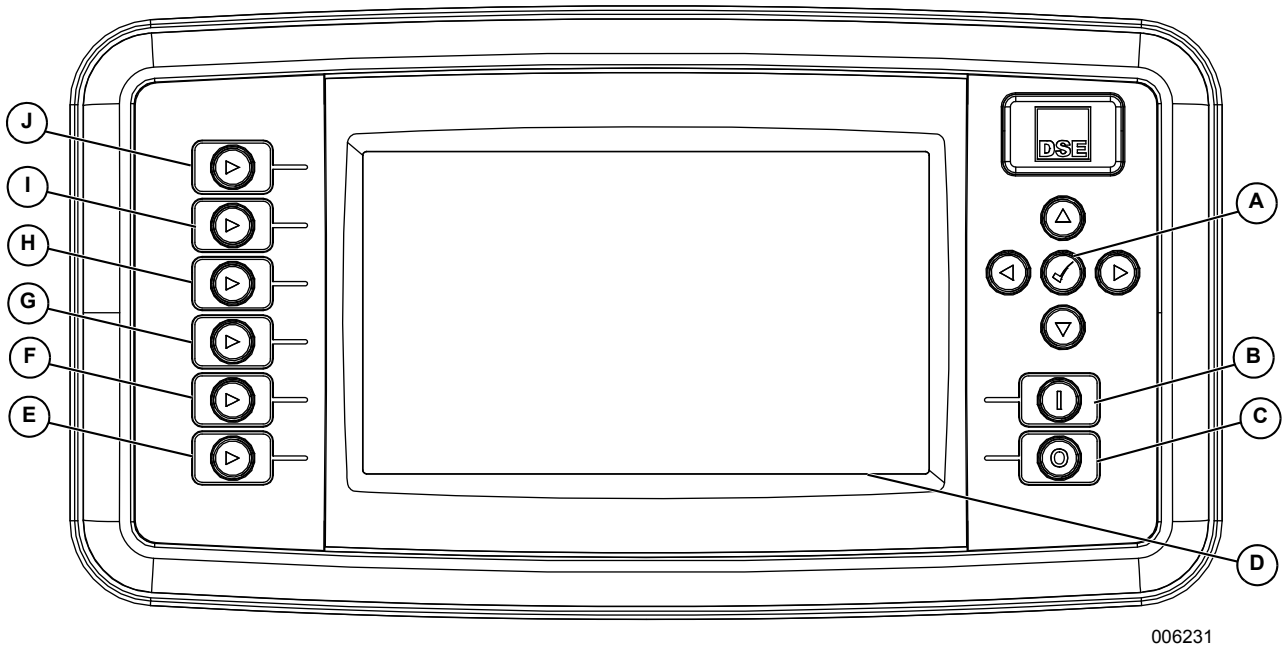


Figure 2-9. PowerZone Controller

- | | |
|-------------------------------------|--------------------------------|
| A Navigation button (5) | F Alarm mute button |
| B Engine START button | G Voltage adjust button |
| C Engine STOP button | H Generator button |
| D Display screen | I Engine button |
| E AUTO or MANUAL mode button | J Home button |

Controller Features and Functions

These buttons are used to enter the various operator screens from any other screen. The operator screens consist of four screens: Home (🏠), Engine (🔧), Generator (⚡), and Voltage Adjust (⚙️). See [Operator Screens](#).

(A) Navigation Buttons

Used to navigate through the various operator screens.

(B) Engine START Button

Press the engine START (I) button while the controller is in MANUAL mode to start the unit. If there are no shutdown errors and the engine satisfies the start status the unit will start. If the controller is in AUTO mode, the engine START (I) button has no effect.

(C) Engine STOP Button



Personal injury. Press the emergency stop button to stop the engine immediately in case of an emergency. Failure to do so could result in death or serious injury.

(000298a)



Equipment Damage. The emergency stop switch is not to be used to power down the unit under normal operating circumstances. Doing so will result in equipment damage.

(000246)

Press the engine STOP (O) button to shut down the unit and put the controller into STOP mode, whether in MANUAL mode or AUTO mode.

(D) Display Screen

This screen displays the various operator and maintenance screens. The operator is able to monitor both the engine and generator status while the unit is running by viewing these screens.

(E) AUTO or MANUAL Mode

Changes the startup and shutdown modes of the unit. The unit enters MANUAL mode when pressed once. The unit enters AUTO mode when pressed and held for five seconds. If in AUTO mode, pressing once will return the unit to MANUAL mode.

(F) Alarm Mute Button

Silences the audible alarm. Additional action will be required to fully disable the active alarm.

(G) Voltage Adjust Button

Press to display the [Voltage Adjust Screen](#).

(H) Generator Button

Press to display the [Generator Screen](#).

(I) Engine Button

Press to display the [Engine Screen](#).

(J) Home Button

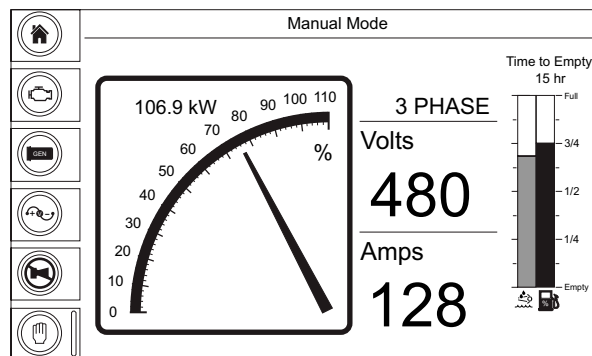
Press to display the [Home Screen](#).

Operator Screens

The operator screens display the most relevant and critical information needed to properly configure and utilize a unit. From these four screens, the operator can access the engine, generator, and power transmission information necessary to operate the unit under normal conditions.

Home Screen

The home screen is the controller's default screen and automatically displays after the controller is powered up and the unit management software is loaded. It displays a live readout of the kW meter, percent of load used (gauge), selected phase, volts and amps being produced by the generator, and the fuel level with time until empty. The controller will automatically return to this screen from any other screen after a period of inactivity.

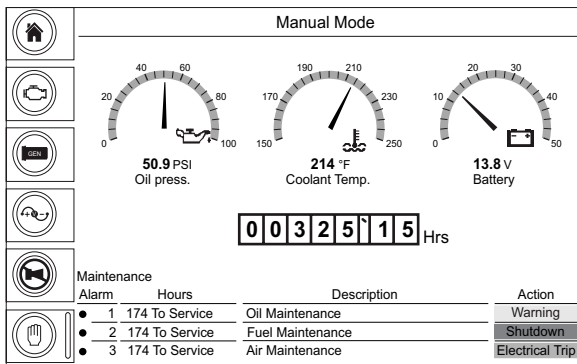


006232

Figure 2-10. Home Screen

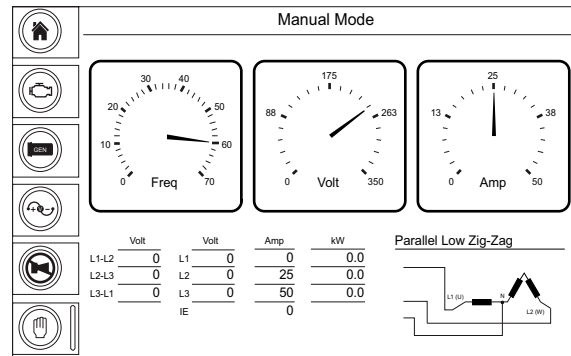
Engine Screen

The engine screen displays the oil pressure, coolant temperature, and battery voltage on three main gauges. An hour gauge displaying the total run time on the engine is below the gauges. The hour gauge also displays maintenance alarm status at the bottom of the screen, with the time remaining (black text) or the time passed (red text), a scheduled maintenance task, along with the description of the maintenance procedure, and the action that will take place when the timer trips the alarm.



002788

Figure 2-11. Engine Screen



002789

Figure 2-12. Generator Screen

NOTE: If the measured value is outside the range of a gauge, the needle will not be displayed. The digital value below the gauge will still show the measured value.

- **Oil Press:** Displays engine oil pressure. Current coolant temperature displays directly below the gauge at all times. The gauge registers oil pressure between 0–100 psi (0–689 kPa). Normal operating pressure is between 35–80 psi (241–552 kPa).
- **Coolant Temp:** Displays engine coolant temperature. Current coolant temperature displays directly below the gauge at all times. The gauge displays coolant temperature between 150–250 °F (66–121 °C). Normal operating temperature of the unit is between 180–200 °F (82–93 °C) with an average ambient air temperature of 70 °F (21 °C).
- **Battery:** Displays the engine battery voltage. Current battery voltage displays directly below the gauge at all times. The gauge displays battery voltage between 0–50V. A normal reading is 12–14V on 12 volt systems and 24–26V on 24 volt systems (with the engine running).

Generator Screen

The generator screen displays the average voltage frequency, volts and amps from the generator, as well as line-to-line voltage, and individual line-to-neutral voltage, amperage, and power (kW). This screen also displays the generator winding configuration set by the voltage selector switch in the lower right corner.

NOTE: When loading the generator, it is important to observe the amperage to determine the load balance on each line of the generator. Minor load imbalances, usually 10% or less, will not cause problems. Every effort should be made to distribute the load equally between all lines.

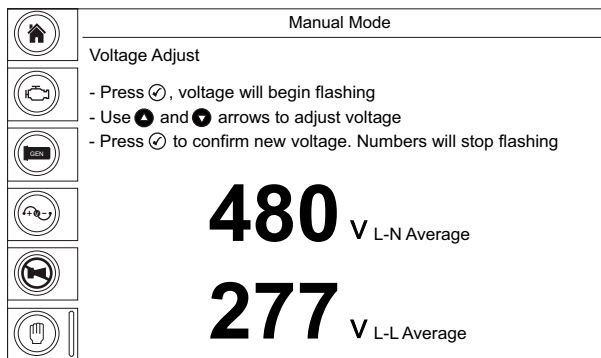
- **Freq:** Displays the output frequency in Hertz (Hz). Normal operating frequency is 60 Hz.
- **Volts:** Displays the nominal voltage in volts (V).
- **Amps:** Displays the AC output amperage produced by the generator in amps (A).

Additional information can be found on the electric power table at the bottom-left side of the screen. This provides an overview of all three lines and average voltage and amperage readouts.

Voltage Adjust Screen

The unit automatically fine tunes voltage upon start-up after the output voltage is selected and the unit is started. See [Voltage Selector Switch](#). The voltage can be manually fine tuned as needed. See [Fine Voltage Adjustment](#).

The voltage adjust screen displays the line-to-neutral and line-to-line voltage averages. The operator can electronically adjust the voltage within limits to prevent under-voltage or over-voltage conditions using the on-screen instructions. This feature replaces a traditional potentiometer.



002803

Figure 2-13. Voltage Adjust Screen

Maintenance Screens

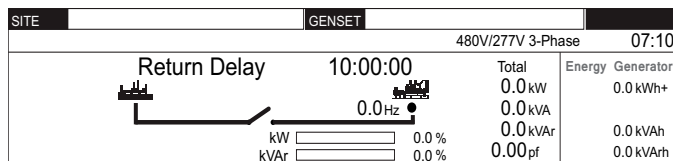
All of the data inputs from the engine, generator, inputs/outputs, schedule, and PowerZone controller are visible on the maintenance screens.

The information displayed on the maintenance screens can be used to identify, diagnose, and troubleshoot unit shutdown conditions and poor unit performance. The maintenance screens can be accessed from any operator screen by pressing any directional arrow (▲, ►, ▼, ◀).

The bottom of the screens have a list of available tabs, with the currently displayed tab highlighted in blue. The tabs can be selected by using the ► or ◀ buttons. The current/available pages are displayed to the left of the tabs. The pages within a tab can be viewed by using the ▲ and ▼ buttons. Whenever a new tab is selected, the current page will always be page one.

Generator Summary

The generator summary can be found at the top of all maintenance screens and provides an overview of the system.



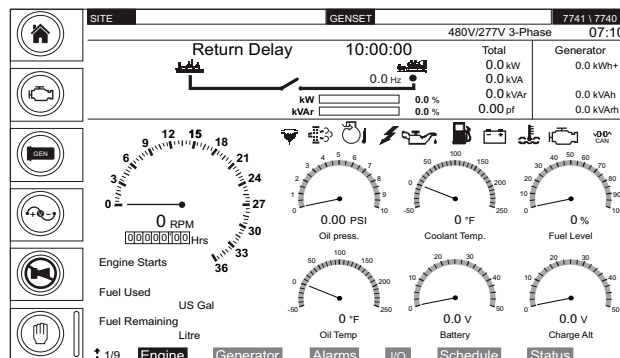
002790

Figure 2-14. Generator Summary Screen

Engine Tab

The engine tab contains maintenance and instrumentation data gathered from the engine. Above the engine analog meters is a row of alarm icons. Each icon can be one of three colors: gray (inactive), yellow (warning), or red (shutdown). The alarm icons from left to right are: water in fuel, emission filter, engine air inlet temperature, charge alternator, oil pressure, fuel level, battery voltage, coolant temperature, and ECU lamp.

NOTE: The content may change depending upon the selected engine and the features supported by the engine.



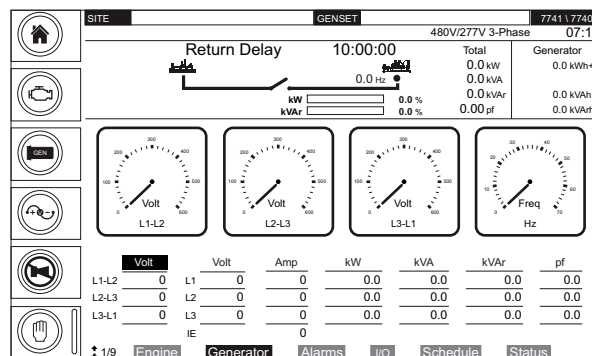
002791

Figure 2-15. Engine Tab Screen

Generator Tab

The generator tab contains maintenance and instrumentation data gathered from the generator. Each page highlights different data gathered by the generator, with the analogue meters changing accordingly. The last two pages display the information in the bar graph. The bar graph is blue for positive and red for negative. For the power factor bar graph, blue is for lagging pf and red is for leading pf.

NOTE: The content may change depending upon the selected generator and the features supported by the generator.



002792

Figure 2-16. Generator Tab Screen

Alarms Tab

The alarms tab displays warnings, electrical trip, shutdown alarms, and any engine diagnostic trouble codes (DTC) that are occurring or have occurred. The first page displays the alarms that are currently active and organizes them by alarm type.

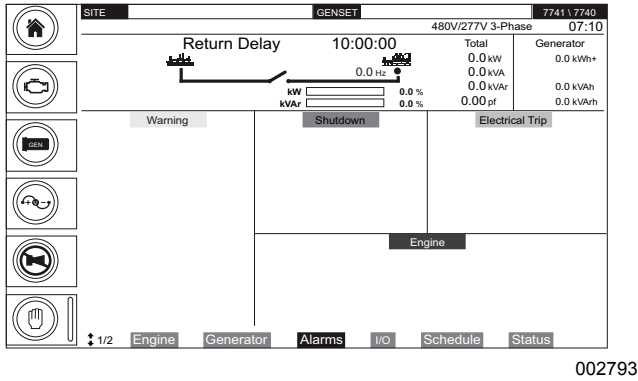
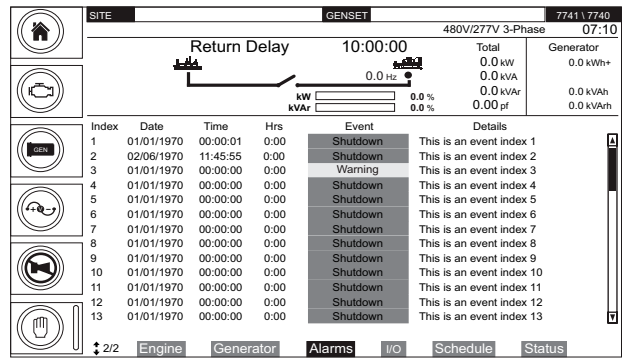


Figure 2-17. Alarms Tab Screen (Page One)

Table 2-3. Diagnostic Trouble Codes

Alarm Type	Color: Background/Text	Graphic
Warning	Yellow/Black	Warning
Electrical Trip	Purple/Black	Electrical Trip
Shutdown	Red/Black	Shutdown
ECU Code	Blue/White	Engine

The second page of the alarms tab shows the event log with a list of events, including normal operation events and alarm notifications. The most recent events are listed first. All indexed events include the date and time of the event, and hours of runtime on the engine when it occurred, along with the event name or alarm type and details.



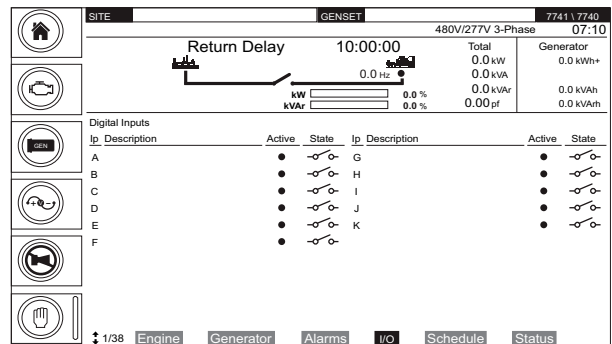
002794

Figure 2-18. Alarms Tab Screen (Page Two)

To scroll down within the event log, press the ENTER (✓) button. The scroll bar will activate and change to blue. Press the ▲ or ▼ buttons to scroll up or down in the event log. Press the ENTER (✓) button again when finished.

Input/Output Tab

The input/output (I/O) tab shows a list of digital inputs and outputs connected to the controller, whether they are active or not, and the current state (open/closed status) of the input and output.



002795

Figure 2-19. Input/Output Tab Screen

Scheduler Tab

The scheduler tab shows the current configuration and status of the scheduler, located below the generator summary. The maintenance configuration status and time remaining until an alarm, electrical trip, or shutdown will be displayed at the bottom of the screen. The lamp(s) to the left shows the configuration status of the maintenance alarm, not the alarm condition.

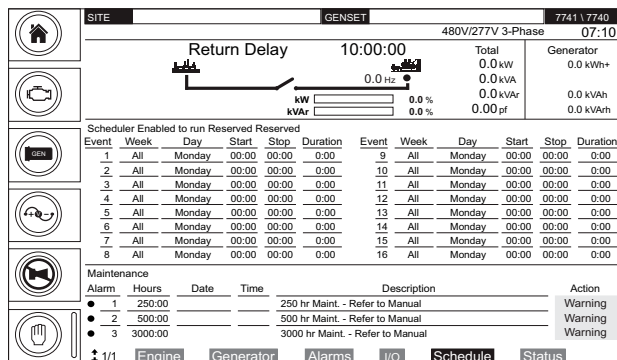


Figure 2-20. Schedule Tab Screen

Status Tab

The status tab contains the status and configuration of the controller, firmware, and data connections.

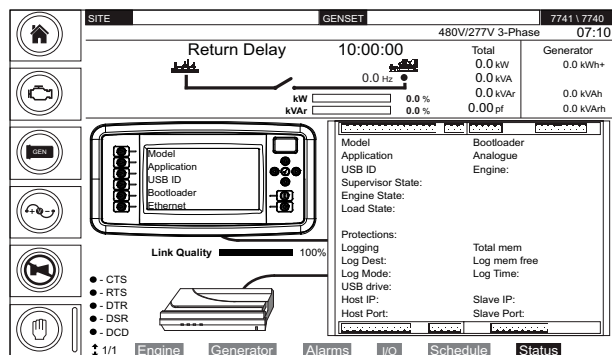


Figure 2-21. Status Tab Screen

Generator Monitoring

Generator information is displayed on both the generator button screen and generator tab within the [Maintenance Screens](#). See [Generator Tab](#).

Engine Monitoring

Engine information is displayed on both the engine operator screen and engine tab within the [Maintenance Screens](#). See [Engine Tab](#).

PowerZone Controller Information Displays, Functions, and Reset

The PowerZone controller constantly monitors vital generator and engine functions for a number of operation, alarm, and fault conditions. When a fault condition occurs, the engine shuts down automatically and the main display shows the fault that caused the shutdown. The fault condition must be resolved to resume operation. Press the ENTER (✓) button to reset the controller and resume operation.

Voltage Selector Switch



WARNING

Electric Shock. Never change the voltage selector switch while the engine is running or the controller is on. Doing so could result in death, serious injury or equipment damage. (000302)

The voltage selector switch mechanically configures the main windings of the generator to provide a Hi Wye, Low Wye, Zig Zag or Delta configuration providing single and three phase voltage output to the main breaker. Voltage ranges are selected by rotating the handle on the switch to the desired voltage.

The voltage selector switch is equipped with a lockout mechanism to prevent unauthorized changing of the voltage setting by locking the handle in place.

See [Using the Voltage Selector Switch](#) for instructions on switching the voltage.

This page intentionally blank

Section 3: Operation

Pre-start Checklist

All items in the pre-start checklist must be completed before starting the unit. This checklist applies to both manual and remote starting of the unit.



⚠️ WARNING

Consult Manual. Read and understand manual completely before using product. Failure to completely understand manual and product could result in death or serious injury. (000100a)

⚠️ WARNING

Equipment damage. Do not attempt to start or operate a unit in need of repair or scheduled maintenance. Doing so could result in serious injury, death, or equipment failure or damage. (000291)



⚠️ WARNING

Risk of Fire. Unit must be positioned in a manner that prevents combustible material accumulation underneath. Failure to do so could result in death or serious injury. (000147)

- Verify all maintenance procedures are up to date. For more information, see [General Maintenance](#) and [Basic Maintenance Schedule](#).
- Verify the unit is level.
- Verify there is no water inside, on, or near the unit; dry if needed.
- For grounding requirements, follow any local, state, or National Electrical Code (NEC) guidelines.
- Verify the control power switch is OFF (O).
- Verify all circuit breakers are OFF (O).
- Inspect all electrical cords; repair or replace any that are cut, worn, or bare.
- Verify oil, coolant, and fuel levels are correct, per the engine manufacturer's manual.
- Verify battery connections are secure.
- Turn the battery disconnect switch ON (if equipped).
- Verify engine fan belt tension and condition are within spec.
- Verify engine fan belt guard is installed and secure.
- Check engine exhaust system for loose or rusted components.
- Verify the radiator and surrounding shroud are clear of debris.
- Verify all covers are in place and secure.

- Verify all electrical connections at the connection lugs, if equipped, are tight and wired correctly.
- Verify the voltage selector switch is set to the desired voltage and locked.
- Verify the emergency stop switch is pulled out.

Manually Starting the Unit



⚠️ DANGER

Asphyxiation. Running engines produce carbon monoxide, a colorless, odorless, poisonous gas. Carbon monoxide, if not avoided, will result in death or serious injury. (000103)

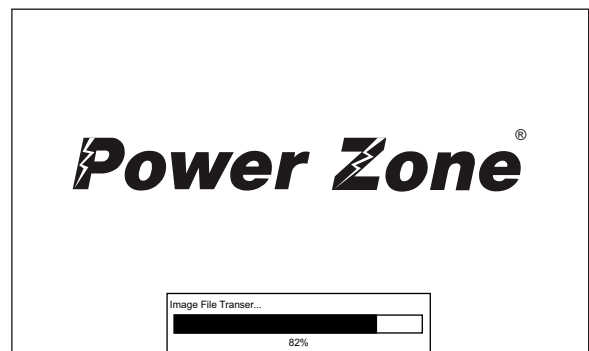


⚠️ WARNING

Fire risk. Fuel and vapors are extremely flammable. Do not operate indoors. Doing so could result in death, serious injury, or property or equipment damage. (000281)

All units equipped with the PowerZone controller will initially start up in STOP mode. Proceed as follows to start the generator in MANUAL mode:

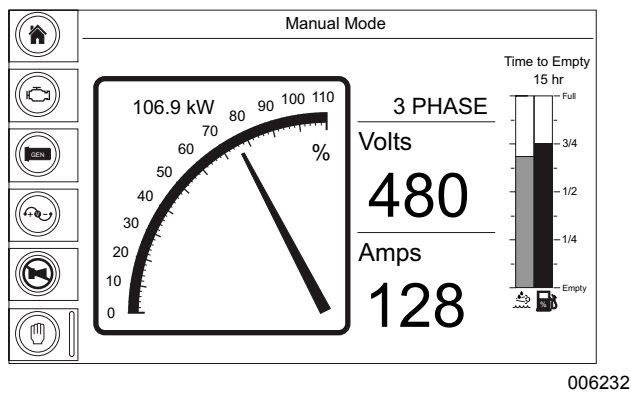
1. Set the control power switch to ON (I).
2. The display screen will show the pre-start diagnosis, and the controller will load the unit management software.



002804

Figure 3-1. Pre-start Screen

3. The home screen will be displayed when the software is loaded, and the controller will be in STOP mode as indicated at the top of the screen. Press the AUTO or MANUAL mode (⏻) button to enter MANUAL mode.



006232

Figure 3-2. Home Screen

NOTE: The controller can be started from any screen when it is in MANUAL mode.

- Pressing the green engine start (I) button on the controller will initiate the startup procedure and start the engine, if there are no engine faults preventing the unit from starting.

NOTE: It may take a few seconds for the engine to run smoothly and reach its governed operating speed. During this time, the screen will show a voltage different from the voltage set with the voltage selector switch.

- If the engine does not start after the first cranking attempt, the engine will pause for 15 seconds to allow the starter to cool. The display screen will show MANUAL MODE - CRANK REST at the top of the screen. The engine will make two more attempts to start for a total of three crank cycles.
- If the engine does not start and run within three crank cycles, the display screen will show the fail to start alarm. The starting sequence can be repeated after the starter has had a minimum of two minutes to cool. Pressing the ENTER (✓) button will clear the alarm and reset the controller.

NOTE: The engine controller may skip the preheat engine steps on some of the larger models.

- Once the engine starts, it begins speeding up to a constant 1800 RPM. The engine may hunt or change speeds until operating speed is reached. The engine will be warmed up and the operator screens will show engine and generator operating parameters after a few minutes of operation.
- Check the generator for excessive noise or vibration and any coolant, oil, or fuel leaks before applying any loads.
- Verify the AC output voltage is correct. See [Fine Voltage Adjustment](#).
- Verify the frequency (Hz) is correct on the generator screen. The frequency should read approximately 60 Hz with no loads connected to

the generator, depending on the type of engine governing used.

- If all wiring connections have been made correctly, switch the main circuit breaker to ON (I), and then add any loads attached to the receptacles by switching the respective circuit breaker to the ON (I) position. A slight change in engine sound when a load is applied to the unit is normal.

AUTO (Remote) Starting the Unit

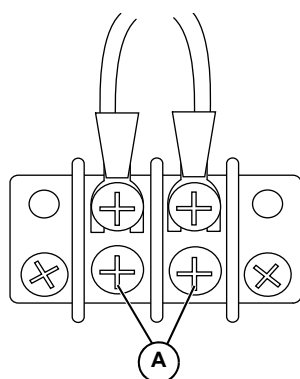
AUTO mode is used when the unit is started from a location other than the control panel by using a transfer switch. AUTO (remote start) is the normal setting when the unit is being used as a standby power supply. Review the [Pre-start Checklist](#) and [Manually Starting the Unit](#) before putting the unit in AUTO mode. Follow all safety warnings and review all information on isolating the generator with a transfer switch if the unit is to be used as a standby power supply. See [AUTO Exercise Timer](#), then proceed as follows:

- Perform a manual start of the unit at least once to verify the engine is operating correctly.
- To check the remote start circuit, remove the wires from the remote start terminal block. Press the AUTO or MANUAL mode (⏻) button, and the display screen will show auto mode at the top of the screen.
- Attach a jumper wire (minimum 16 gauge) across the two terminals on the remote start terminal block. This applies a ground to the PowerZone controller to close the starting circuit contacts. The engine will crank, start, and run.
- Remove the jumper wire from the remote start terminal block and the engine will stop. Reconnect any necessary wires from the remote start switch (transfer switch) to the remote start terminal block.
- Verify the unit is in AUTO mode. The display screen should show AUTO mode at the top of the screen.
- Switch the main circuit breaker ON (I).
- Secure the unit by closing and locking all access doors.
- The unit is now ready for remote starting.

See [Figure 3-3](#). The remote start terminal block provides a connection for installation of a remote start switch which will allow the unit to be started by a remote dry-contact closure switch. For location of the remote start terminal block, see [Control Panel Component Locations](#).

Before entering AUTO mode, verify the contacts on any remote switch linked to the unit are open. If the contacts on a remote switch are closed, the engine will crank and

start when AUTO mode is entered. Attach the switch leads to the two unused terminals (A) on the unit's remote start terminal block.



002806

Figure 3-3. Remote Start Terminal Block

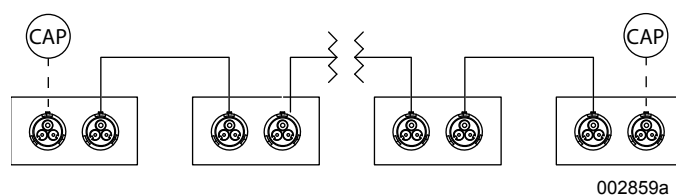
Parallel Setup and Operation (If Equipped)

This system is designed to work with generators that are connected on the mobile switching center (MSC) network only and not with the utility or any other independent power source. All other power sources must be isolated from the MSC network to prevent potential damage due to power sources closing out of phase.



002858a

Figure 3-4. Two Units in Parallel



002859a

Figure 3-5. Three or More Units in Parallel

Manual Parallel

1. Verify the units to be paralleled are OFF.
2. Secure all electrical connections to each unit and a common bus. Verify all wiring is properly color coded or labeled prior to connection. Any crossed connections will prevent units from paralleling.
3. Connect MSC cable(s) and terminating plugs (resistors) to the end units.
4. Turn the battery disconnect ON.
5. Turn on the controller power for each unit.

6. Put the controller in MANUAL mode (lower left button).
7. Start each unit to be paralleled and allow them to warm up.
8. Press the Close Circuit Breaker button on each unit.

Automatic Parallel

1. Verify the units to be paralleled are OFF.
2. Secure all electrical connections to each unit and a common bus. Verify all wiring is properly color coded or labeled prior to connection. Any crossed connections will prevent units from paralleling.
3. Connect MSC cable(s) and terminating plugs (resistors) to the end units.
4. Turn the battery disconnect ON.
5. Connect two wire start signal (dry contact closure) to all the generators on the MSC network. The contact closure will be in parallel.
6. Turn ON the controller power for each unit.
7. Put the controller in AUTO mode.

Shutting Down the Units in MANUAL Mode

1. Press the Open Circuit Breaker button on each unit to be shut down. Note the controller will ramp off the load before opening the circuit breaker.
2. Allow the engine to cool if previously under heavy load.
3. Press the Engine Stop button.
4. Turn OFF controller power.
5. Turn battery disconnect OFF.

NOTE: If any units are in parallel, do not disconnect the MSC cable.

Wet Stacking

The unit is powered by a diesel engine. Diesel engines are susceptible to wet stacking if lightly loaded. Wet stacking occurs when an engine is run at less than 30% of its full load capacity, causing unburned fuel to accumulate in the exhaust system. Wet stacking can be detected by continuous black exhaust when the unit is under a constant load. It can also cause fouling of injectors and buildup on engine valves. Diesel engines operate properly when applied loads are between 30% and 100% capacity. Appropriate generator sizing is determined by the anticipated load. If the unit is in a wet stack condition, load the unit heavily for five hours or until the exhaust is clear.

Cold Weather Operation

The engine may be equipped with a coolant heater, oil pan heater, crankcase ventilation heater, battery heater or fuel heater as cold weather starting aids.

See **Figure 3-6**. Starting aids are required below 32°F (0°C). They will enhance starting performance below these temperatures and may be needed to start applications that have high parasitic loads during cranking and start acceleration to idle. Other cold weather starting aids are required at temperatures below -13°F (-25°C) or at altitudes above 5,000 ft (1,500 m).

The use of correct grade oil (see **Recommended Oil Types**) is critical to achieving adequate cold weather cranking speed. Synthetic oils have improved flow at low temperatures.

The oil pan heater, battery heater and fuel filter heater (if equipped) are activated with a thermostat and will turn on and off as needed. The coolant heater is powered by a shore power 120V electrical connection. The crankcase ventilation heater is powered by the generator and will stay on when the engine is operating in cold weather conditions.

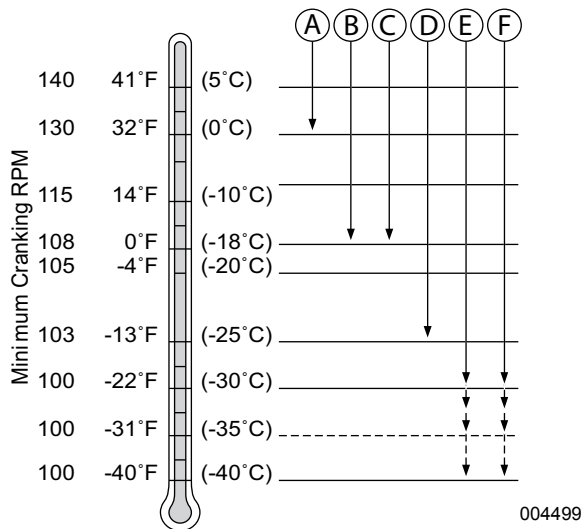


Figure 3-6. Cold Weather Starting Guidelines

A	No Aids
B	Electric Air Heat
C	Block Heat
D	Ether
E	Electric Air Heat and Block Heat
F	Ether and Block Heat

Use cold weather starting aids as needed according to **Figure 3-6**. Follow supplier instructions for starting aids provided on engine. A booster battery can be connected if needed (see **Using a Booster Battery or Charger (If Equipped)**).

NOTE: Additional information on cold weather operation is available from your local GMP ASD.

Using a Booster Battery or Charger (If Equipped)



WARNING

Explosion. Batteries emit explosive gases while charging. Keep fire and spark away. Wear protective gear when working with batteries. Failure to do so could result in death or serious injury.

(000137a)



WARNING

Risk of burns. Batteries contain sulfuric acid and can cause severe chemical burns. Wear protective gear when working with batteries. Failure to do so could result in death or serious injury.

(000138a)



CAUTION

Equipment damage. Do not make battery connections in reverse. Doing so will result in equipment damage.

(000167a)

See **Figure 3-8**. A 12 volt booster battery can be connected in parallel with battery(ies) on the unit to aid in cold weather starting. ALWAYS use heavy-duty jumper cables.

Series:

- Amps = Same as single battery
- Volts = Twice as a single battery

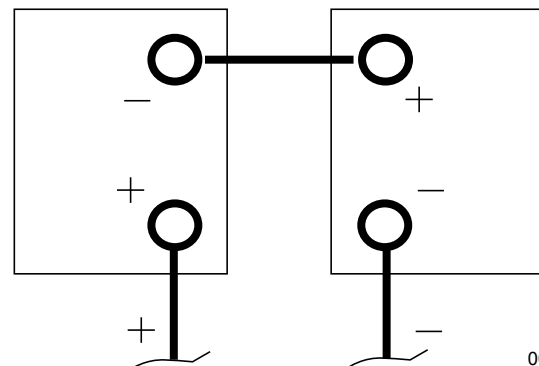
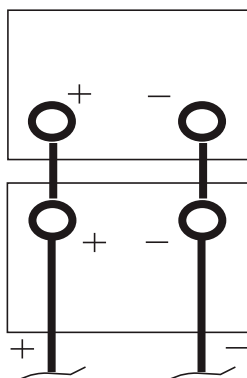


Figure 3-7. Series

Parallel:

- Amps = Twice as a single battery

- Volts = Same as single battery



004508

Figure 3-8. Parallel

1. Connect booster battery or batteries to produce the required system voltage.

NOTE: To avoid sparks, do not allow the free ends of jumper cables to touch engine.

2. Connect one end of jumper cable to the POSITIVE (+) post of the booster battery.
3. Connect the other end of the jumper cable to the POSITIVE (+) post of battery connected to starter.
4. Connect one end of the other jumper cable to the NEGATIVE (-) post of the booster battery.
5. Complete the hookup by making the last connection of the NEGATIVE (-) cable to a good ground on the engine frame and away from the battery(ies).
6. Start the engine. Disconnect jumper cables immediately after engine starts. Always disconnect NEGATIVE (-) cable first.

Generator Output Connections

⚠ DANGER

Electrical backfeed. Use only approved switchgear to isolate generator from the normal power source. Failure to do so will result in death, serious injury, and equipment damage.

(000237)



⚠ DANGER

Electrocution. Do not disable or modify the connection box door safety switch. Doing so will result in death or serious injury.

(000157)



⚠ DANGER

Electrocution. Before connections are made to the unit, verify the main circuit breaker and battery disconnect switch are OFF. Failure to do so will result in death or serious injury. (000156)

⚠ WARNING

Electric shock. Only a trained and licensed electrician should perform wiring and connections to unit. Failure to follow proper installation requirements could result in death, serious injury, and equipment or property damage. (000155a)

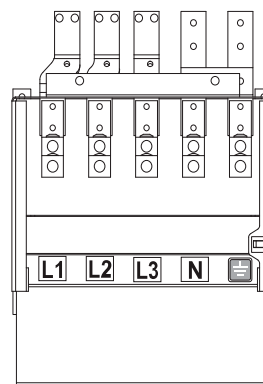
The installation should be in compliance with the national electrical code (NEC), state, and local regulations.

The unit is equipped with connection lugs, located on the lower portion of the control box behind the lug box door. The lugs provide connection points to attach external loads to the generator. A large decal on the inside of the connection lug door details the proper connections for selected voltages.

Connections to the lugs should be made by running the power cables up through the opening in the bottom of the box.

IMPORTANT NOTE: Do not make any connections directly to the lugs without routing the cables through the opening. Use a hex-wrench to tighten the cable connections.

The connection lug door is equipped with safety interlock switches that will trip the main circuit breaker and disable the voltage regulator if the door is opened while the unit is operating.



002822

Figure 3-9. Generator Connection Lugs

A ground connection is located next to the connection lugs. The unit must be connected to ground for proper operating safety. The generator neutral is bonded to ground when it is shipped from the factory. The bonding plate must be removed when the generator is used as a standby power source.

Generator Cam Lock Connection(s) (If Equipped)



⚠ DANGER

Electrocution. Before connections are made to the unit, verify the main circuit breaker and battery disconnect switch are OFF. Failure to do so will result in death or serious injury. (000156)

⚠ DANGER

Electrical backfeed. Use only approved switchgear to isolate generator from the normal power source. Failure to do so will result in death, serious injury, and equipment damage. (000237)



⚠ WARNING

Electric Shock. Verify all connections to the cam lock receptacles are made to one row only. Failure to do so could result in death, serious injury, and property damage. (000356)

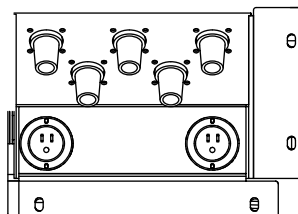
⚠ WARNING

Electric shock. Only a trained and licensed electrician should perform wiring and connections to unit. Failure to follow proper installation requirements could result in death, serious injury, and equipment or property damage. (000155a)

The unit may be equipped with cam lock connections located below the receptacles. These receptacles provide connection points to attach external loads to the generator. A decal below the cam lock connections details the proper connections for selected voltages.

Connections should be made by plugging power cables equipped with series 16 taper nose 400A/600V cam lock plugs into the cam lock receptacles. Secure the connection by rotating the plug a 1/2 turn to the right.

L1	Black
L2	Red
L3	Blue
N (Neutral)	White
G (Ground)	Green



006233

Figure 3-10. Cam Lock Connections



⚠ DANGER

Electrocution. Do not disable or modify the connection box door safety switch. Doing so will result in death or serious injury. (000157)

A ground connection is located on the far right of the cam lock panel. The unit must be connected to a good earthen ground for proper operating safety. The generator neutral is bonded to ground when it is shipped from the factory. The bonding plate must be removed when the generator is used as a standby power source. Installation should be in compliance with the National Electrical Code (NEC), state, and local regulations.

Using the Voltage Selector Switch



⚠ WARNING

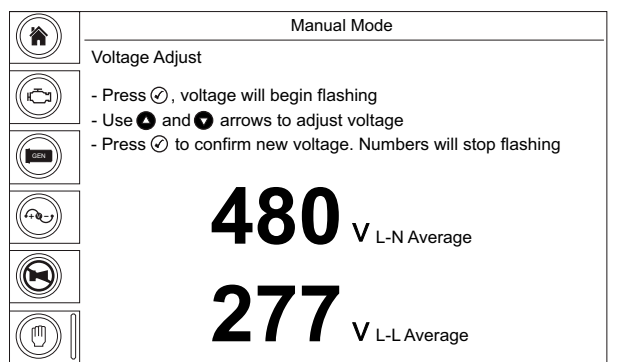
Electric Shock. Never change the voltage selector switch while the engine is running or the controller is on. Doing so could result in death, serious injury or equipment damage. (000302)

1. Shut down the unit according to **Shutting Down the Unit**.
2. Remove padlock from voltage selector switch lockout device.
3. Move voltage selector switch to desired voltage.
4. Replace and lock padlock on voltage selector switch lockout device.
5. Start the unit according to **Manually Starting the Unit** or **AUTO (Remote) Starting the Unit**.

NOTE: Opening the voltage selector switch box while the unit is running will activate the safety alarm and turn off the unit.

Fine Voltage Adjustment

See [Voltage Adjust Screen](#) for information on screen display.



002803

Figure 3-11. Voltage Adjust Screen

1. With the unit running, press .
2. Press . The voltages displayed will flash.
3. Use and to adjust the voltage.
4. Press to confirm the new voltage. The voltages displayed will stop flashing.

Voltage Regulator

The automatic voltage regulator controls the output of the generator by regulating the current into the exciter field. The voltage regulator is adjusted before shipment from the factory. The regulator has four screwdriver adjustable potentiometers that may be adjusted for under frequency roll-off (U/F), U/F dip (DIP), stability (STAB), and voltage (VOLT). Contact a GMP ASD for additional information before attempting to adjust the voltage regulator.

NOTE: For units equipped with a Marathon DVR2000E+ automatic voltage regulator, see the Marathon operating manual provided with the unit.

Achieving 240V 3-Phase in 208V 3-Phase (Parallel Low Wye) Configuration



WARNING

Electric Shock. Never change the voltage selector switch while the engine is running or the controller is on. Doing so could result in death, serious injury or equipment damage. (000302)

CAUTION

Equipment Damage. Verify voltage application before making changes to factory settings. Incorrect voltage applied to a load could result in equipment damage. (000303)

IMPORTANT NOTE: Using this method to achieve 240V 3Φ will result in a line to neutral voltage of 139V, and is not recommended for single phase usage.

Proceed as follows to check which version of the PowerZone controller application the unit has:

1. With the unit shut down, set the control power switch to the ON (I) position. The controller will toggle automatically to the home screen after initialization.
2. Press , , , or to enter the maintenance screens.
3. Press until the status tab is selected. This tab will display which version of the PowerZone application the unit has.

NOTE: The version is also displayed in the top left corner of the Configuration menu. See [Accessing the Configuration Menu](#).

After verifying the unit has V4 or higher of the PowerZone controller application, proceed as follows to achieve 240V while in the 208V configuration:

4. Starting in any of the operator screens, press , , , or to enter the maintenance screens.
5. Press and simultaneously. The next screen will display the configuration menu.
6. Press to move the cursor (blue highlighted text) down to Config Selection.
7. Press to highlight Config to Edit. Press again to highlight Selected Configuration. Then press to access the selections.
8. Press to highlight Alternative Configuration 1. Press .
9. Press two times to get back to the far left column.
10. Press to highlight Password Entry. Press to display the Pin Entry screen. Press again to

access to password entry. The left most pound sign should change to 0.

11. Press ▲, ►, ▼, or ◀ to enter the password 4444 if applicable. Press ✓.
12. Press ▼ to highlight Generator. Press ► again to access the selections.
13. Press ▼ to highlight Generator Voltage. Press ► again to access the selections.
14. Press ▼ to highlight Over Voltage Alarms. Press ► again to access the selections.
15. Press ▼ to highlight Alarm Trip and press ✓ to adjust the voltage.

NOTE: Alarm trip setting must be changed first in order to set the pre-alarm trip setting.

16. Press ▲ until the voltage becomes 153V. Press ✓.
17. Press ▲ and ✓ to adjust the voltage for the Pre-alarm Trip.
18. Press ▲ until the voltage becomes 151V. Press ✓.

NOTE: It is recommended the current trip settings are also changed. The current values will depend on the unit.

19. Press ▲ and hold ✓ for five seconds until the saving screen appears. The screen will then return to the maintenance screens.

NOTE: Change the alarm settings back for the 208V configuration according to [Changing Back to 208V Configuration](#).

Changing Back to 208V Configuration

When finished with the 240V settings, change the alarm settings back to the 208V configuration. Follow steps in [Achieving 240V 3-Phase in 208V 3-Phase \(Parallel Low Wye\) Configuration](#), changing the pre-alarm trip to 132V and the alarm trip to 134V.

NOTE: Verify the pre-alarm trip setting is adjusted before the alarm trip setting in order to set the alarm trip setting.

Customer Convenience Receptacles



Equipment Damage. Verify voltage application before making changes to factory settings. Incorrect voltage applied to a load could result in equipment damage.

(000303)

The unit is equipped with five receptacles. The 240/120VAC twist-lock receptacles are rated at 50A each. The 120VAC duplex receptacles are rated at 20A each, with ground fault circuit interrupt (GFCI) protection. The receptacles are not routed through the main circuit breaker. Each receptacle has its own circuit breaker,

located directly above or next to the receptacle. Each breaker is sized to the maximum rating of the corresponding receptacle.

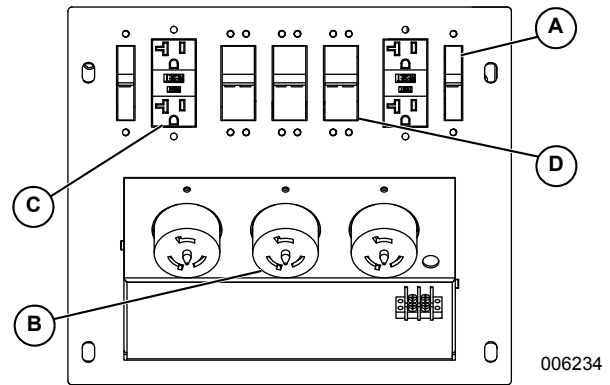


Figure 3-12. Receptacle and Breaker Locations

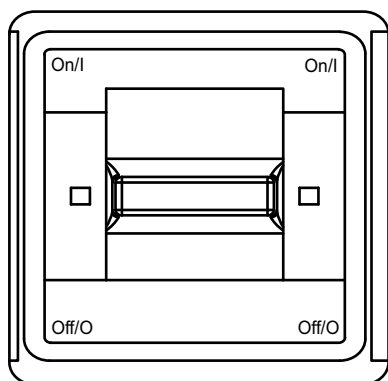
A	20A circuit breaker (2)
B	120/240V twist-lock receptacle (3)
C	120V GFCI receptacle (2)
D	50A Circuit breaker (3)

NOTE: Power to the receptacles is available any time the generator is running, even if the main circuit breaker is OFF (O). Verify equipment connected to the receptacles is turned OFF before turning the breakers ON (I).

NOTE: When the voltage selector switch is in position for 480/277V 3Ø, voltage at the two GFCI receptacles is 139 volts and the voltage at the three twist-lock receptacles is 240/139 volts. Generac Mobile Products LLC does not recommend using the receptacles in the 480V position. When the voltage selector switch is in position for 208/120V 3Ø, voltage at the three twist-lock receptacles and the two GFCI receptacles is 208/120 volts.

Main Circuit Breaker

See [Figure 3-13](#). The main circuit breaker is located on the main control panel. When the breaker is OFF (O), power is interrupted to the connection lugs, the optional cam lock receptacles, and the generator. The breaker may be switched ON (I) once the connections have been made to the connection lugs or the optional cam lock receptacles, and the unit has been started and allowed to reach normal operating temperature.



002814

Figure 3-13. Main Circuit Breaker

Reasons the main circuit breaker may trip:

- Overload of the generator circuits to the connection lugs or the optional cam lock receptacles.
- The door covering the connection lugs or the optional cam lock receptacles is opened.
- If the emergency stop switch is activated.

Verify any problems that cause the main circuit breaker to trip are corrected before returning the switch to ON (I).

NOTE: The main circuit breaker only interrupts power to the connection lugs and the optional cam lock receptacles. The customer convenience receptacles have power even if the main circuit breaker is OFF (O). Use the individual circuit breakers located near each receptacle to disconnect power to these receptacles.

DOC and SCR Cleaning Operations



WARNING

Risk of Burn. Stay clear of the exhaust system during operation and exhaust filter cleaning. Exposure to hot exhaust gases and components could result in serious injury. (000304)

When enabled, the exhaust after-treatment system goes through an automatic cleaning process known as regeneration. Under normal circumstances, regeneration occurs without interrupting the unit operation and with minimal operator involvement. In the event there are conditions requiring the operation of the unit with the auto

exhaust after-treatment cleaning disabled, the operator may be required to perform procedures to enable or disable the auto exhaust after-treatment cleaning. The operator may also be required to perform a manual regeneration.

NOTE: Always park the unit in a safe location for elevated exhaust temperatures and check for adequate fuel level before beginning the exhaust after-treatment cleaning process. The cleaning cycle can take an extended period of time (approximately 45 minutes). Cleaning is complete when the regeneration indicator remains off.

Disabling Automatic (AUTO) Exhaust After-Treatment Cleaning

The auto exhaust after-treatment cleaning feature should always be enabled unless doing so would cause an unsafe working environment. In the event that an unsafe working environment occurs, proceed as follows to disable the auto exhaust after-treatment cleaning feature:

1. Open the control door and locate the switch labeled REGEN INHIBIT.
2. Set the switch to DISABLED (O).
3. Enter the SCR status screen and verify the disabled regeneration indicator appears above the words SCR INHIB - SOLID. See [Selective Catalytic Reduction \(SCR\) Monitoring](#).

NOTE: Disabling auto exhaust after-treatment cleaning is not recommended for any situation unless it is safety related or if the fuel tank lacks the required fuel to complete the cleaning process.

Force a Manual Exhaust After-Treatment Cleaning

If running the unit with the exhaust after-treatment cleaning function disabled, the SCR status screen may display a red alarm, prompting the operator to force a manual exhaust after-treatment cleaning. Proceed as follows to force a manual exhaust after-treatment cleaning:

1. Open the control door and locate the switch labeled REGEN INHIBIT.
2. Set and hold the switch in ON/FORCED (I) for five seconds.
3. Enter the SCR status screen and verify the regeneration indicator appears above the words SCR LAMP - SOLID. See [Selective Catalytic Reduction \(SCR\) Monitoring](#).

Enable Exhaust After-Treatment Cleaning

If the environment no longer requires the exhaust after-treatment cleaning function to be disabled, and there are no alarms present on the SCR status screen, the auto exhaust after-treatment cleaning function should be enabled. Proceed as follows to enable the auto exhaust after-treatment cleaning feature:

1. Open the control door and locate the switch labeled REGEN INHIBIT.
2. Set the switch to ON/AUTO (I/O).
3. Enter the SCR status screen and verify the regeneration indicator appears above the words SCR LAMP - SOLID. See [Selective Catalytic Reduction \(SCR\) Monitoring](#).

Transfer Switch

⚠ DANGER

Loss of life. Property damage. Installation must always comply with applicable codes, standards, laws and regulations. Failure to do so will result in death or serious injury. (000190)

⚠ DANGER

Electrical backfeed. Use only approved switchgear to isolate generator from the normal power source. Failure to do so will result in death, serious injury, and equipment damage. (000237)

⚠ WARNING

Electric shock. Only a trained and licensed electrician should perform wiring and connections to unit. Failure to follow proper installation requirements could result in death, serious injury, and equipment or property damage. (000155a)

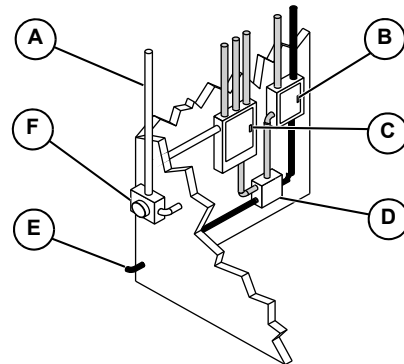


⚠ WARNING

Electric shock. Phase rotation must be compatible. Incompatible phase rotation could result in death, serious injury, or equipment damage. (000226b)

Familiarize yourself with all instructions and warning labels supplied with the switch.

When the unit is used as a standby power supply, it must be equipped with a transfer switch that isolates it from the utility's distribution system. A transfer switch is designed to transfer electrical loads from the normal power source (utility) to the emergency power source (generator) when normal voltage falls below a prescribed level. The transfer switch automatically returns the load back to the normal source when power is restored back to operating levels.



002807

Figure 3-14. Transfer Switch Operation

A	Incoming utility power
B	Emergency distribution panel (generator power)
C	Main distribution panel (utility power)
D	Transfer switch
E	Power from generator
F	Utility meter
WHITE	Incoming utility power
GRAY	Normal utility power circuit
BLACK	Emergency generator power circuit

The installation should be in compliance with the National Electrical Code (NEC), state, and local regulations.

Before any connections are attempted, verify the main circuit breaker and the control power switch are in the OFF (O) position and that the negative (-) battery cable has been disconnected from the battery.

Installation of such devices must be performed by following all directions supplied by the manufacturer of the switch. If attaching the unit to a power supply normally serviced by a utility company, notify the utility company and check state and local regulations.

AUTO Exercise Timer

The PowerZone controller is capable of starting and stopping the unit automatically, based on a programmable schedule.

Units installed in a standby application should be exercised regularly to maintain operating condition and to ensure responsiveness in an emergency situation. Proceed as follows to operate the unit in AUTO mode:

Accessing the Configuration Menu

1. With the unit stopped, press ▲, ►, ▼, or ◀ to navigate to the maintenance screens from any of the operator screens.
2. While on any maintenance screen, press ✓ and O simultaneously. The controller will display the Configuration menu.
3. To save any changes and exit the Configuration menu, press and hold ✓ for five seconds. To cancel any changes and return to the maintenance screen, press and hold O for five seconds.

Set the Controller Clock

The schedule runs based on the time set in the controller clock. Proceed as follows to set the controller clock before setting the schedule:

1. Navigate to the maintenance group and press ► to access it.
2. Press ► to select the time section.
3. Set the time and date to the correct local time.

Set the Schedule

NOTE: The controller must be in AUTO mode to run at the programmed time. Use a trickle or solar battery charger to prevent the controller from draining the battery while in AUTO mode.

1. Access the scheduler group by pressing the ► button.

NOTE: The scheduler group consists of the scheduler options and scheduler setup sections. Each section can be accessed and exited using the ► and ◀ buttons.

2. Access the scheduler options section. Within this section, the scheduler can be enabled, run mode selected, and load mode selected.

Table 3-1. Scheduler Options

Item	Values
Enable	Yes, No
Run Mode	Monthly, Weekly
Load	Idle, In Island, On Load, Off Load

3. Access the scheduler setup section. In this section, each schedule entry can be modified by pressing the ✓ button to select the item, and the ▲ and ▼ buttons to define them.

Table 3-2. Scheduler Setup

Item	Values
Schedule Entry	1-16
Start Time	00:00-23:59
Duration	00:00-99:59
Day	Monday-Sunday
Week (of month)	First, Second, Third, Fourth

NOTE: If setting up a daily scheduled run, select Weekly Run Mode, then set start time and duration for each day (seven schedule entries total). This will repeat the seven day schedule as long as the unit is in AUTO mode.

Setting Up a Daily Scheduled Run

1. Enable the scheduler.
2. Set RUN mode to Weekly.
3. Set load to preferred method.
4. Set the start time and duration for seven days (Monday–Sunday).
5. Set the controller to AUTO mode.

Set the Unit to AUTO Mode

From any operator or maintenance screen, press and hold the AUTO or MANUAL mode (⏻) button for five seconds, or until AUTO mode is displayed at the top of the screen.

NOTE: If any of the scheduled time slots are currently active, the controller will begin the starting sequence and start the unit, provided there are no shutdown conditions present.

Shutting Down the Unit

Prior to shutting down the unit, check with personnel using power supplied by the generator and let them know the power is going to be turned off. Verify the power shut down will not create any hazards by accidentally turning off equipment that needs to be kept on (pumps, compressors, lights, and so forth).

1. Remove all loads from the generator by opening all circuit breakers (turn OFF (O)).
2. Allow engine to run for approximately five minutes to allow it to cool down.
3. Press the red engine STOP (O) button on the controller. This will result in the generator going into the shutdown cycle and starting a 15 second

shutdown timer. If the unit does not shut down within 15 seconds, a stop fail alarm will be displayed on the display screen.

4. After the unit shuts down, wait two minutes after engine shutdown for controller actuated actions to complete and then set the control power switch to OFF (O).

NOTE: The ECU needs to run for 90 seconds after shutdown to purge the DEF.

NOTE: Turning off the control panel before the controller finishes updating could cause a loss of data.

NOTE: For extended storage time, disconnect the battery. See the engine operator's manual for extended storage requirements.

Emergency Stop Switch



Equipment Damage. The emergency stop switch is not to be used to power down the unit under normal operating circumstances. Doing so will result in equipment damage. (000246)

See **Figure 3-15**. The unit is equipped with one emergency stop switch. The red button is clearly labeled EMERGENCY STOP. The switch can be accessed and activated with all doors closed and locked.

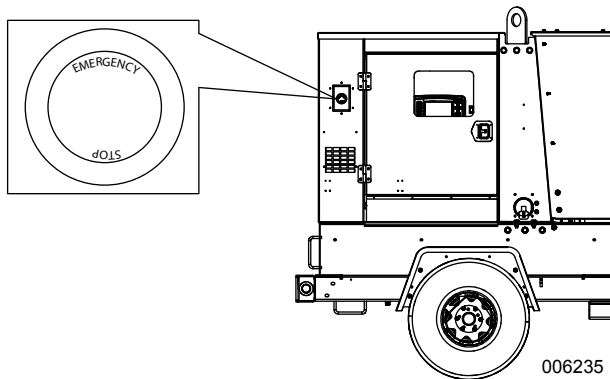


Figure 3-15. Emergency Stop Switch

Activate the emergency stop switch by pushing the button in until it locks down. This trips the main circuit breaker which then opens the contact, disconnecting the load to the connection lugs. This will also open the fuel circuit, shutting down the engine. The emergency stop fault will be displayed on the control panel. The switch will remain closed until it is pulled out.

Using the ECU Override Switch



Equipment Damage. Do not start the engine with the Engine Control Unit (ECU) override switch ON. Doing so will damage the ECU.

(000305)

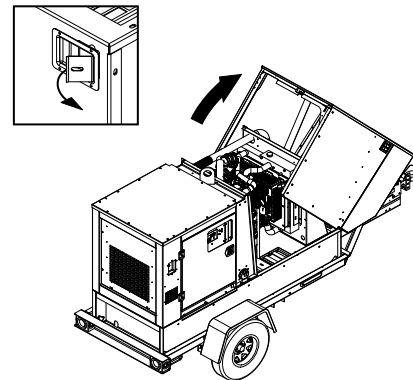
IMPORTANT NOTE: Starting the engine with the ECU override switch ON will not allow the engine to shut down properly using the Engine STOP Button. This must only be used when the engine is OFF.

The ECU override switch is located behind the controller panel. This toggle switch powers up the ECU without having to start the engine. Use the ECU override switch to turn the ECU OFF. If the unit needs to be shut down immediately, use the emergency stop switch. See **Emergency Stop Switch**.

Front Hood Operation



Crushing Hazard. Stay clear of hood and lift structure when opening and closing generator hoods. Failure to do so could result in death or serious injury. (000300)



002802

Figure 3-16. Front Hood Operation

To Open the Front Hood

1. See **Figure 3-16**. With your right hand, grip the handle located on the front panel.
2. With your left hand, pull the hood latch located on the upper corner of the hood. Tilt the hood open until it contacts the bulkhead panel.

To Close the Front Hood



⚠️ WARNING

Crushing Hazard. Do not attempt to close the hood from sides of unit. Failure to close hood correctly could result in serious injury or equipment damage. (000301)

1. Verify the skid is free of debris and all personnel are clear of unit.
2. While standing at the front of the unit, slowly push the hood forward until firmly closed.
3. Verify the hood is securely closed by attempting to open without pulling the hood latch.

Towing the Unit

⚠️ WARNING

Personal injury. Trailer must be securely coupled to the hitch with the chains correctly attached. Uncoupled or unchained towing could result in death or serious injury. (000233a)

⚠️ WARNING

Personal injury. Do not operate unit during transport. Doing so could result in death, serious injury, or property damage. (000231a)

⚠️ WARNING

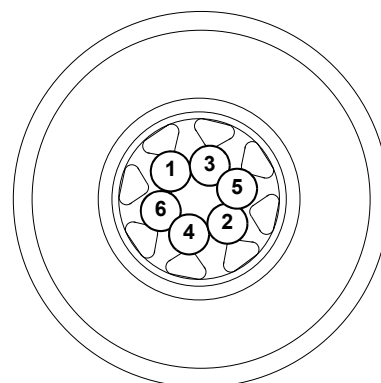
Crushing hazard. Verify unit is properly secured and on level ground. An unsecured unit can suddenly roll or move, causing death or serious injury. (000234a)

1. Verify the engine is OFF.
2. Use the tongue jack to raise or lower the trailer onto the hitch of the towing vehicle. Lock the hitch coupling and attach the safety chains or cables to the vehicle. Release the jack locking pin and rotate the jack into the travel position. Verify the locking pin snaps into place.

NOTE: A film of grease on the coupler will extend coupler life and eliminate squeaking. Wipe the coupler clean and apply fresh grease each time the unit is towed.

3. Lubricate the grease fittings located on the leveling jacks to verify proper operation of the jacks. See [Jack Maintenance](#). For maintenance interval information, see [Basic Maintenance Schedule](#).
4. Connect trailer wiring to the tow vehicle. Check for proper operation of the directional and brake lights.
5. Verify all doors and hoods are properly latched.

6. Check for proper inflation of the trailer tires. Proper inflation is specified in [Specifications](#).
7. Check the wheel lugs. Tighten or replace any lugs that are loose or missing. If a tire has been removed for axle service or replaced, tighten the lugs in the order shown in [Figure 3-17](#) to the following specifications:
 - a. Start all lug nuts by hand.
 - b. First pass tighten to 20–25 ft-lbs (27–33 Nm).
 - c. Second pass tighten to 50–60 ft-lbs (67–81 Nm).
 - d. Third pass tighten to 90–120 ft-lbs (122–162 Nm).



006236

Figure 3-17. Lug Sequence

⚠️ WARNING

Property or Equipment Damage. Tighten wheel lug nuts after first 50 miles to factory specifications. Failure to do so could result in death, serious injury, property or equipment damage. (000235)

NOTE: Maximum recommended speed for highway towing is 45 mph (72 km/h). Recommended off-road towing speed is 10 mph (16 km/h).

Lifting the Unit



⚠️ WARNING

Personal injury. Failure to properly connect lifting cables, chains, or straps could result in death, serious injury, or property damage. (000346)

⚠️ WARNING

Personal Injury. Do not use lifting eye if there are signs of damage or corrosion. Doing so could result in death, serious injury, or property damage. (000433)

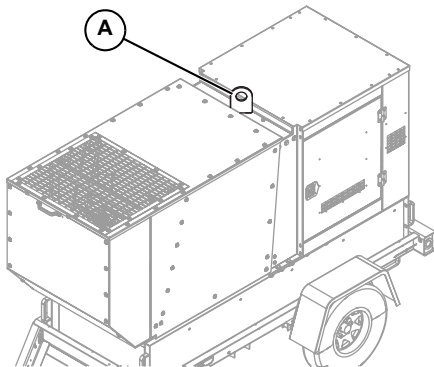
⚠️ WARNING

Personal Injury. Do not use lifting eye other than as directed. Doing so could result in death, serious injury, or property damage. (000434)

1. Verify the equipment being used to lift the unit is in good condition and has sufficient capacity. For approximate weights, see [Specifications](#).
2. Close and lock all hoods and doors.

IMPORTANT NOTE: Always remain aware of people and objects around the work site when moving or lifting the unit.

3. See [Figure 3-18](#) for location of the central lift point (A).
4. Attach any slings, chains, or hooks directly to the central lift point.



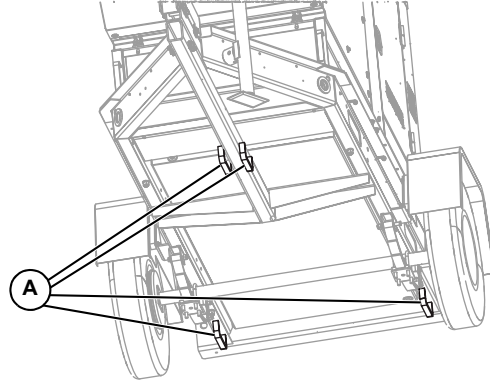
006237

Figure 3-18. Lifting Points

Tying the Unit Down

When securing the unit for transportation, verify the equipment being used to fasten the unit is in good condition and has sufficient strength to hold the unit in place during transport.

See [Figure 3-19](#). Use the tie-down points (A) as shown.



006238

Figure 3-19. Tie-Down Points

Section 4: Maintenance

Emissions Information

For emissions information, see the OEM diesel engine manual.

Maintenance

Regular maintenance will improve performance and extend engine/equipment life. Generac Mobile Products, LLC. recommends that all maintenance work be performed by a Generac Mobile Products Authorized Service Dealer (GMP ASD). Regular maintenance, replacement, or repair of the emissions control devices and systems may be performed by any repair shop or person of the owner's choosing. To obtain emissions control warranty service free of charge, the work must be performed by a GMP ASD. See the emissions warranty.

Daily Walk Around Inspection



Equipment Damage. Failure to perform a daily inspection could result in damage to the unit.

(000306)

Inspect for conditions that could hinder performance or safety, such as (but not limited to) oil, coolant, and fuel leakage, blocked vents, loose or missing hardware, and improper electrical connections.

Inspect the fan belt for signs of cracking, fraying, and stretching, and verify the belt is properly seated in the pulley grooves. Replace the belt according to the manufacturer's recommendations.

NOTE: At the 500 hour or 12 month service interval, it is recommended that the belt be removed and checked for wear. While the belt is removed, inspect pulleys and bearings. Rotate and feel for hard turning or unusual sounds. Contact the engine manufacturer if pulleys or bearings need replacement.

Belt Tensioners

John Deere engines use two types of belt tensioners: manual and automatic. Adjust the belt using the manual tensioner according to the manufacturer's specifications. The automatic tensioner cannot be adjusted or repaired and is designed to maintain proper tension over the belt's life. Units with an automatic belt tensioner must be inspected according to the manufacturer's specifications.

General Maintenance

Poorly maintained equipment can become a safety hazard. Periodic maintenance and occasional repairs are necessary in order for the equipment to operate safely and properly over a long period of time. Never perform any routine service (oil and oil filter changes, cleaning, and so forth) unless all electrical components are shut off. Before servicing the unit, always follow the instructions listed below.

- Verify the control power switch is turned OFF (O).
- Verify the circuit breakers are turned OFF (O).
- Activate (push in) the emergency stop switch.
- Disconnect the negative (-) terminal on the battery.
- Attach a DO NOT USE sign to the control panel. This signifies that the unit is being serviced and reduces the chance of someone inadvertently trying to start the unit.
- Do not wash the unit with a high pressure hose or with any kind of power washer.
- Do not wash the engine block or fuel tank with a power washer or steam cleaner. Water may enter the cabinet and collect in the generator windings or other electrical parts, causing damage.
- Inspect for water inside the cabinet and generator before each use if the unit is stored outside. If wet, dry the unit thoroughly before starting.
- Inspect condition of electrical cords. **DO NOT** use the unit if insulation is cut or worn through.
- Verify the condition of the air filter by viewing the level of the vacuum draw on the filter minder gauge. Replace the air filter when the yellow center bar reaches the red section on the gauge (20 in. H₂O).
- Inspect wheel lugs. See [Towing the Unit](#).
- Inspect wheel bearings. See [Trailer Wheel Bearings](#).
- Inspect the wheel bearings for unusual wear.
- Inspect coolant level daily. See the engine operator's manual for coolant recommendations and proper mixture.
 - Visually inspect the level in the coolant overflow tank located near the radiator.
 - Normal operating level is between the FULL and ADD markings on the overflow jug.
 - When engine is stopped and completely cool, coolant may be added directly to the coolant overflow container.

- Check the oil level daily. See the engine operator's manual for the proper viscosity grade of oil, including special operating conditions such as a change in season or climate.
- **DO NOT** start the unit if the engine oil level is below the add mark on the dipstick.
- Normal operating level is in the cross-hatch pattern between the FULL and ADD markings on the dipstick.
- Add oil only if the oil level is below the ADD mark on the bottom of the cross-hatch pattern on the dipstick.
- **DO NOT OVERFILL** the crankcase.
- Verify the fuel level.
- Verify the remote switch is also off and tagged if the unit is connected to a remote start or transfer switch.

NOTE: If the engine was run out of fuel, or the fuel tank was drained, it may be necessary to purge the fuel lines. See the engine operator's manual supplied with the unit for more information.

Engine Oil Recommendations

The engine oil should be serviced in accordance with the recommendations of this manual to maintain the product warranty.

The engine has been filled with factory engine oil of a grade recommended by the engine supplier.

Use a high quality detergent oil with an appropriate classification and viscosity for the engine type and ambient temperature conditions. Contact a GMP ASD or refer to the applicable engine service manual for more information.

Recommended Oil Types

- Plus-50™ Oils: John Deere Plus-50, John Deere Plus-50 II
- Other Oils: John Deere Torq-Gard™ Supreme, API CJ-4, API CI-4 PLUS, API CI-4, API CH-4, ACEA E9, ACEA E7, ACEA E6, ACEA E5, ACEA E4

NOTE: The 500 hour extended oil and filter change interval is only allowed if all of the following conditions are met:

- Engine equipped with extended drain interval oil pan.
- Use of diesel fuel with sulfur content less than 2000 mg/kg (2000 ppm).
- Use of John Deere Plus-50™ II or John Deere Plus-50™ oil.
- Use of an approved John Deere oil filter.

Coolant Recommendation



⚠ DANGER

Risk of poisoning. Do not use mouth to siphon coolant. Doing so will result in death or serious injury.

(000149)



⚠ WARNING

Risk of burns. Do not open coolant system until engine has completely cooled. Doing so could result in serious injury.

(000154)

⚠ CAUTION

Risk of overheating. Do not use any chromate base rust inhibitor with propylene glycol base antifreeze, boosters, or additives. Doing so will cause overheating and possible equipment damage.

(000165a)

Contact a GMP ASD or refer to the applicable engine service manual for engine coolant recommendations. See table below for mixtures:

Freezing Point °F (°C)	-12 (-24)	-34 (-36)	-54 (-48)	-90 (-67)
Water (% Volume)	50	40	40	40
Antifreeze (% Volume)	50	60	60	60*

* Maximum freeze protection is at 60%.

Basic Maintenance Schedule

See the original equipment manufacturer's operating manual for a complete list of maintenance requirements. Failure to comply with the procedures as described in the engine operator's manual will nullify the warranty, decrease performance, and cause equipment damage or premature equipment failure. Maintenance records may be required to complete a warranty request.

IMPORTANT NOTE: Refer to the engine operator's manual for additional maintenance information.

Table 4-1. Basic Maintenance Schedule

Item	Daily	Every 250 Hrs.	Every 500 Hrs./12 Months	Every 3000 Hrs./36 Months	Every 4500 Hrs./36 Months	As Required
Check engine oil level	◆					
Check engine coolant level	◆					
Check fuel level	◆					
Check tire pressure	◆					
Check all electrical connections	◆					
Inspect radiator fins for debris; clean as required	◆					
Drain water from fuel filters	◆					
Perform Daily Walk Around Inspection	◆					
Check oil vapor recirculation system/non-return valve		◆				
Change engine oil and replace oil filter		◆*				
Replace oil vapor recirculation filter			◆			
Service battery			◆			
Replace fuel filter elements			◆			
Check engine mounts			◆			
Check air intake hoses, connections and system			◆			
Check engine electrical ground connection			◆			
Check automatic belt tensioner and belt wear			◆			
Check cooling system			◆			
Lubricate leveling jacks			◆			
Check Generator Drive Plate Torque			◆			
Test thermostats			◆			
Inspect wheel bearings			◆**			
Replace air cleaner elements				◆		
Change DEF dosing unit filter					◆	
Replace alternator and fan belts						◆
Check fuses						◆
Add coolant						◆
Bleed fuel system						◆
Clean DEF tank						◆
Service air cleaner filter elements						◆
Replace after-treatment DEF tank header suction screen						◆
Replace after-treatment DEF dosing system coolant filter						◆

* Change the oil and oil filter after the first 100 hours, then every 250 hours. If John Deere Plus 50 II engine oil is used, the interval can be increased to every 500 hours.

** Increased inspections required under dusty or damp conditions. See **Trailer Wheel Bearings** for more information.

Engine Break-In Requirements

NOTE: During the first 20 hours of operation, avoid long periods of no load or sustained maximum load operation. If the generator is to run for longer than five minutes without a load, shut down the generator.

John Deere engines are supplied with engine break-in oil from the factory. Extra care during the first 100-500 hours of engine operation will result in better performance and longer engine life. Do not exceed 500 hours of operation with the break-in oil. Operate the engine at heavy loads (60–90% of maximum) as much as possible. If the engine has spent significant time at idle, constant speed(s), or light load, or if makeup oil is required, a longer break in period may be needed. Refer to the engine operator's manual for a full description of necessary procedures on the addition of break-in oil and extension of the break-in period. For more information on regular maintenance intervals, refer to [Basic Maintenance Schedule](#).

Resetting the Maintenance Alarms

The PowerZone controller will display a warning message when the unit is due for maintenance or service. The maintenance or service interval is set at 250, 500 and 3,000 hours of engine running time. Once the unit has been serviced, the appropriate maintenance alarm reminder must be reset. Proceed as follows to reset the maintenance alarms:

1. With the unit shut down, move the control power switch to CONTROL ON (I). The controller will toggle automatically to the home screen after initialization.
2. Press ▲, ►, ▼, or ◀ to enter the maintenance screens.
3. Press ✓ and O simultaneously. The next screen displays the Configuration menu.
4. Press ▼ to move the cursor (blue highlighted text) down to the maintenance group.
5. Press ► to access the sections. Press ▼ to highlight the maintenance section.
6. Press ► to access the parameters and highlight the maintenance alarm that needs to be reset.
7. Press ✓ to select the editable parameters. The cursor will highlight NOT RESET under the selected maintenance alarm. Press ▲ to highlight RESET.
8. Press ✓ to reset the selected maintenance alarm.
9. To perform additional maintenance alarm resets, repeat steps 6–8.

NOTE: If the selected maintenance alarm does not need to be reset, press ▼ to highlight Not Reset and press ✓ to return to the parameters section.

10. Press and hold ✓ for five seconds to save changes. Press and hold O for five seconds to discard changes made.

Testing DEF

NOTE: Using DEF with the correct concentration is critical to engine and after-treatment system performance. Extended storage and other conditions can adversely alter the DEF concentration.

If DEF quality is questionable, draw a sample out of the DEF tank or storage tank into a clear container. DEF must be crystal clear. If DEF appears cloudy or has a colored tint, it is likely not within specification. DEF in this condition should not be used. Drain the tank, flush with distilled water, and fill with new DEF. After filling the tank, check DEF concentration.

If the DEF passes the visual and smell tests, check the DEF concentration with a handheld refractometer calibrated to measure DEF.

DEF concentration should be checked when the engine has been stored for extended periods, or if there is suspicion the engine or packaged DEF has been contaminated with water.

Two approved tools are available through your John Deere dealer:

- JDG11594 Digital DEF Refractometer—A digital tool providing an easy to read concentration measurement.
- JDG11684 DEF Refractometer—A low-cost alternative tool providing an analog reading.

Follow the instructions included with either tool to obtain the measurement.

The correct DEF concentration is 31.8–33.2% urea. If the DEF concentration is not within specification, drain the DEF tank, flush with distilled water, and fill with new or good DEF. If packaged DEF is not within specification, dispose of DEF packages and replace with new or good DEF.

NOTE: Do not create DEF by mixing agricultural grade urea with water. Agricultural grade urea does not meet the necessary specifications and can damage the after treatment system.

DEF Tank Cleaning

Proceed as follows to clean the DEF tank:

1. Drain DEF tank into a suitable container. See [Disposal of DEF](#).
2. Flush DEF tank with distilled water, and fill with new or good DEF.

Disposal of DEF

Large amounts of DEF should be contained. If large spills occur, contact local environmental authorities for assistance with clean up.

If a substantial quantity of DEF is not within specification, contact the DEF supplier for assistance with disposal. Do not dump large quantities of DEF onto the ground or send DEF to wastewater treatment facilities.

Check Generator Drive Plate Torque

1. Disconnect battery.
2. Remove generator fan guard.
3. Tighten each of the drive plate bolts to 40 ft-lbs (54 Nm).
4. Install generator fan guard.
5. Connect battery.

Jack Maintenance

The following procedures should be performed annually.

Side-Wind Models

- The internal gearing and bushings of the jack must be kept lubricated. Apply a small amount of automotive grease to the internal gearing by removing the jack cover, or if equipped, use a needle nose applicator or standard grease gun on the lubrication point on the side of the jack near the crank. Rotate the jack handle to distribute the grease evenly.
- A lightweight oil must be applied to the handle unit at both sides of the tube.
- If equipped, the axle bolt and nut assembly of the caster wheel must also be lubricated with the same lightweight oil.

Top-Wind Models

- Apply a lightweight oil to the screw stem.

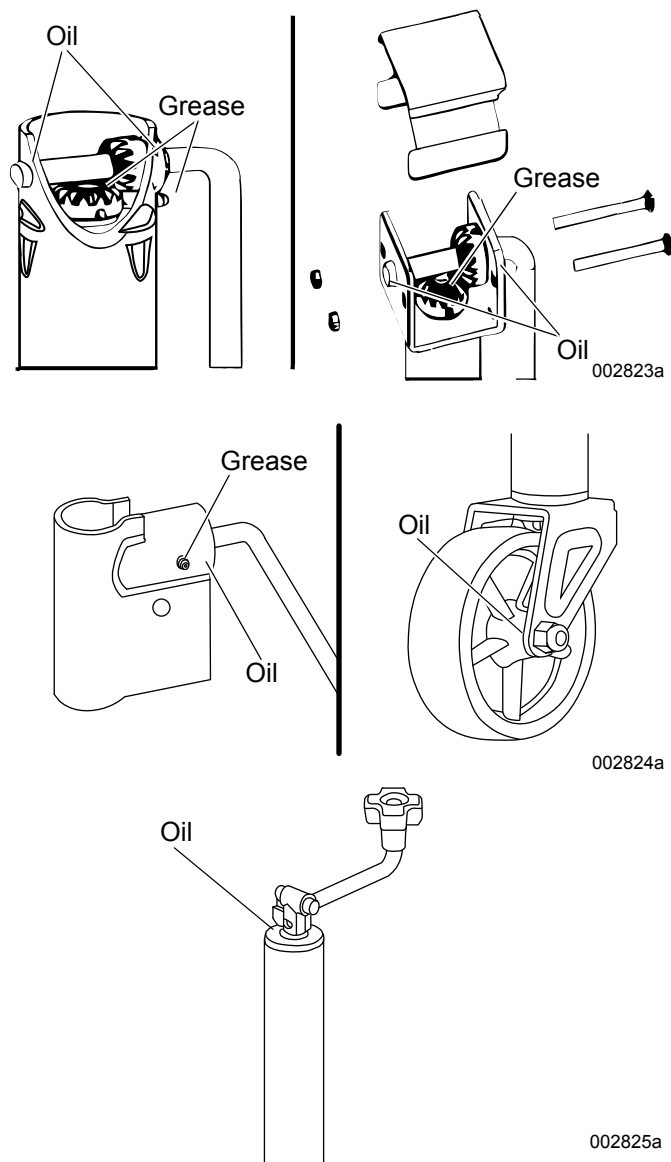


Figure 4-1. Lubrication Points

Trailer Wheel Bearings

The trailer axles are equipped with a grease fitting to allow lubrication of the wheel bearings without needing to disassemble the axle hub. To lubricate the axle bearings, remove the small rubber plug on the grease cap, attach a standard grease gun fitting to the grease fitting, and pump grease into the fitting until new grease is visible around the nozzle of the grease gun. Use only a high quality grease made specifically for lubrication of wheel bearings. Wipe any excess grease from the hub with a clean cloth and replace the rubber plug when finished. The minimum recommended lubrication is every 12 months or 12,000 miles (19,312 km). More frequent lubrication may be required under extremely dusty or damp operating conditions.

This page intentionally blank

Section 5: Troubleshooting

General Troubleshooting

This information is intended to be a check or verification for simple causes that can be located and fixed. It does not cover all types of problems. See the engine operator's manual for additional troubleshooting information. Procedures that require in-depth knowledge or skills should be performed by a GMP ASD.

Problem	Possible Cause	Solution
Low Fuel Level Shutdown	<p>Low fuel level</p> <p>Unit not level</p> <p>Fuel tank leaking</p> <p>Damaged fuel sender or wiring</p>	<p>Check fuel level in LCD window of controller.</p> <p>Confirm that unit is sitting level to ensure an accurate reading.</p> <p>Check tank for leaks.</p> <p>Check for continuity between sender and engine controller. (See DC Wiring.)</p>
Low Oil Pressure Shutdown	<p>Low oil level</p> <p>Oil leaking from engine</p> <p>Oil pressure sender</p>	<p>Check oil level on dipstick. Add oil, if needed.</p> <p>Visually inspect the engine for leaks. Restart unit and verify loss of pressure. Shut down immediately if pressure does not reach 5 psi (34 kPa) within five seconds.</p> <p>See engine operator's manual to identify corrective action.</p>
Low Coolant Level Shutdown	<p>Low coolant level</p> <p>Coolant hoses leaking</p> <p>Engine block or water pump leaking</p>	<p>Allow engine to cool, then check coolant level in radiator. Add coolant, if needed.</p> <p>Inspect hoses for leaks. Repair or replace as necessary.</p> <p>Visually inspect for leaks. Verify no coolant has mixed with the engine oil (oil will appear milky). See engine operator's manual for additional information.</p>
High Coolant Temperature Shutdown	<p>Low coolant level</p> <p>Blockage in radiator</p> <p>Leakage in coolant hoses, engine block, or water pump</p>	<p>Add coolant if needed. Allow engine to cool, then check coolant level in radiator. Restart engine and check coolant temperature (on controller). Stop engine immediately if coolant temperature is 210°F (99°C) or more.</p> <p>Check radiator shroud and ducting for blockage and remove any foreign matter.</p> <p>Inspect for visible leaks. Check tension of water pump serpentine drive belt.</p> <p>Remove load on generator and restart engine. Check coolant temperature and shut engine down immediately if it starts to over-heat (230 degrees or higher). See the engine operator's manual for additional information on engine overheating.</p>
Overcrank Shutdown	Fuel level low	<p>Check fuel level in tank.</p> <p>Check fuel pump operation.</p> <p>Check air filter for blockage.</p> <p>See engine operator's manual for additional information.</p>
Overspeed or Underspeed Shutdown	Frequency setting incorrect	<p>Disconnect all loads and restart unit. Read frequency (Hz) in the LCD window on controller. Frequency should read 60 Hz. If frequency is above 60 Hz, engine speed will need to be adjusted. Contact John Deere to adjust speed.</p>

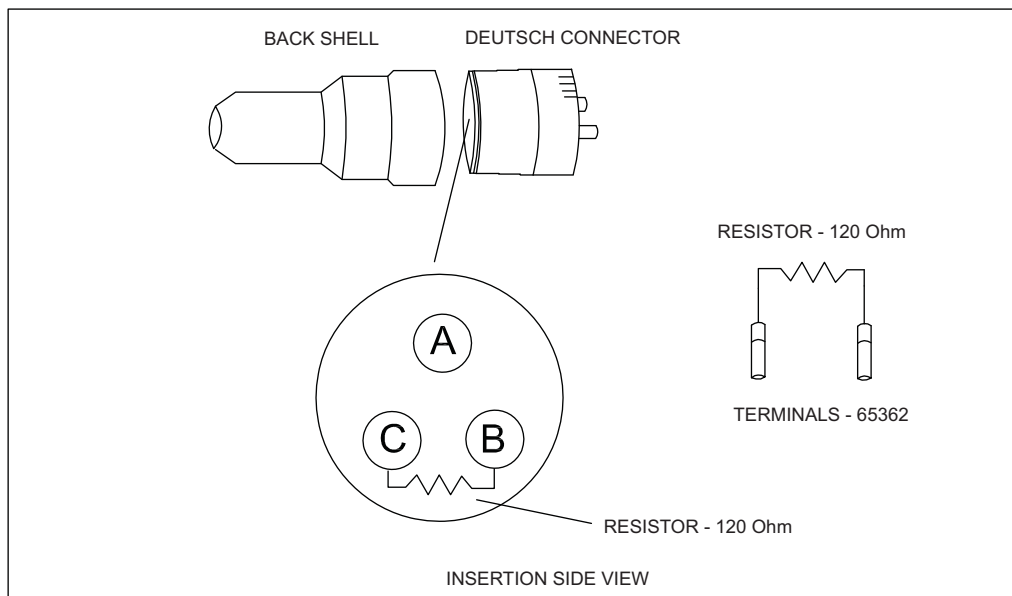
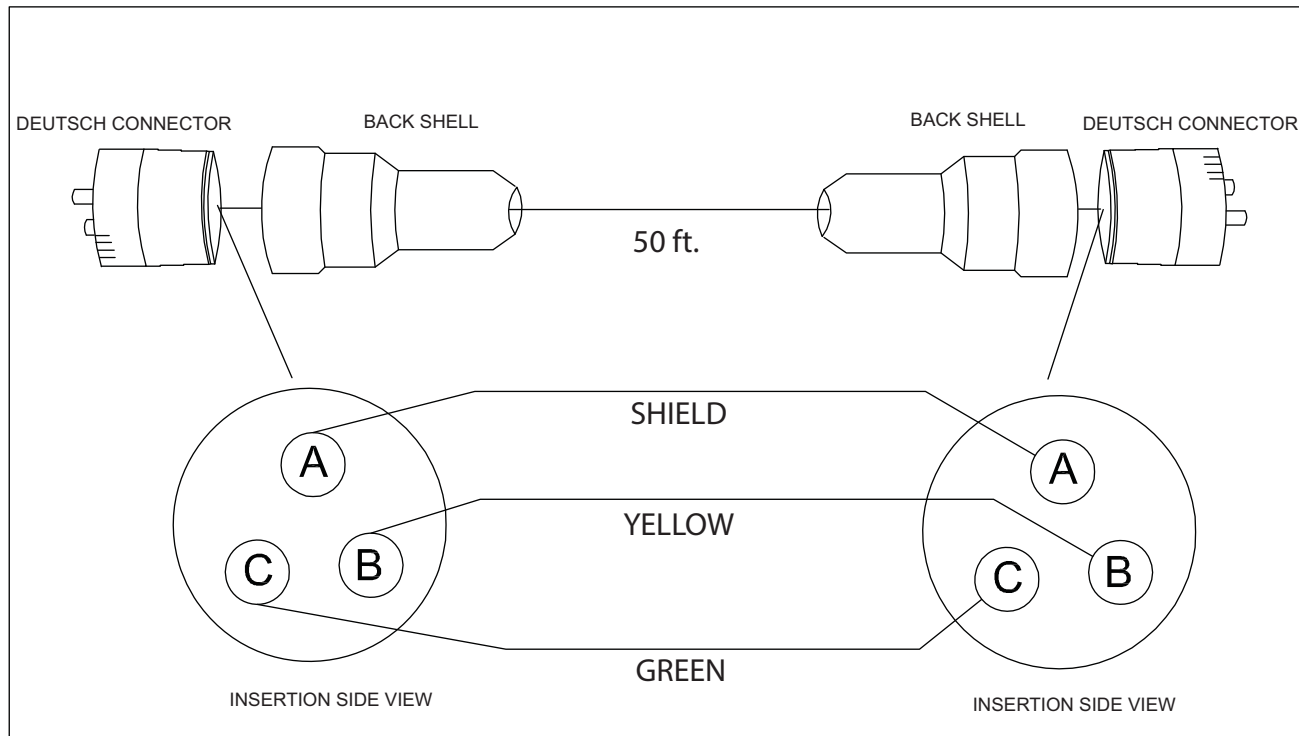
This page intentionally blank

Section 6: Wiring Diagrams and Service Log

Wiring Diagrams

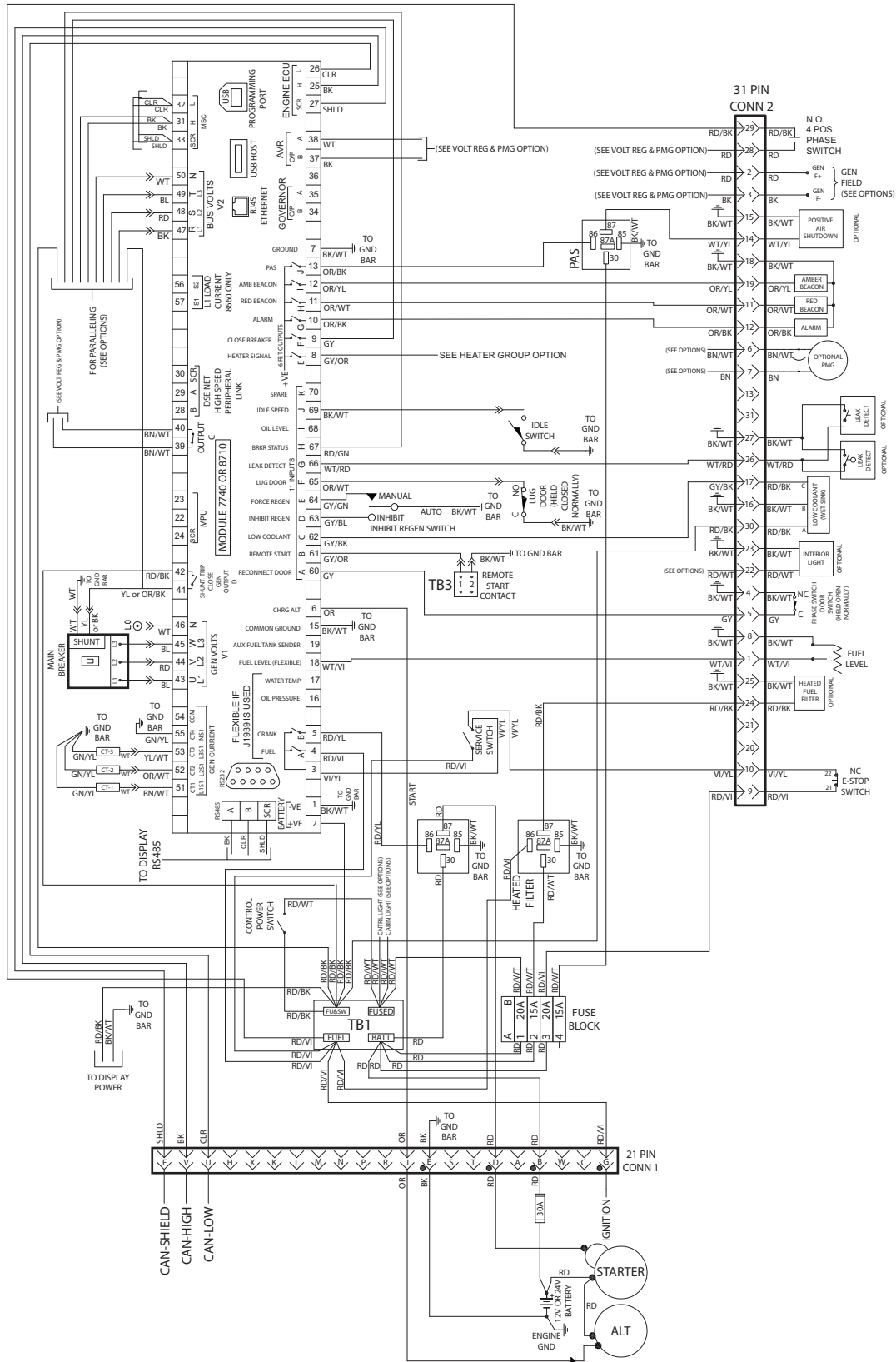
LEGEND		
AGS - ALTERNATOR GROUND STUD	HC - HEATER CONNECTOR	PMG - PERMANENT MAGNET GENERATOR
AVR - AUTOMATIC VOLTAGE REGULATOR	MB - MOTORIZED BREAKER	PSAS - PHASE SWITCH AUX. SWITCH
CT - CURRENT TRANSFORMER	MC - MAIN CONTROLLER	SDCT - STEP-UP DC TRANSFORMER
DEF - DIESEL EXHAUST FLUID	N.C. - NORMALLY CLOSED	SRR - SPRING RELEASE RELAY (CLOSING SIGNAL)
ECU - ENGINE CONTROL UNIT	N.O. - NORMALLY OPEN	STR - SHUNT TRIP RELAY (OPENING SIGNAL)
FB - FUSE BLOCK	PAS - POSITIVE AIR SHUTDOWN	TB - TERMINAL BLOCK
GENTB - GENERATOR TERMINAL BLOCK	PC - PARALLELING CONNECTOR	VRC - VOLTAGE REGULATION CONNECTOR
	PH SW - PHASE SWITCH	

PARALLELING - PLUG RESISTOR



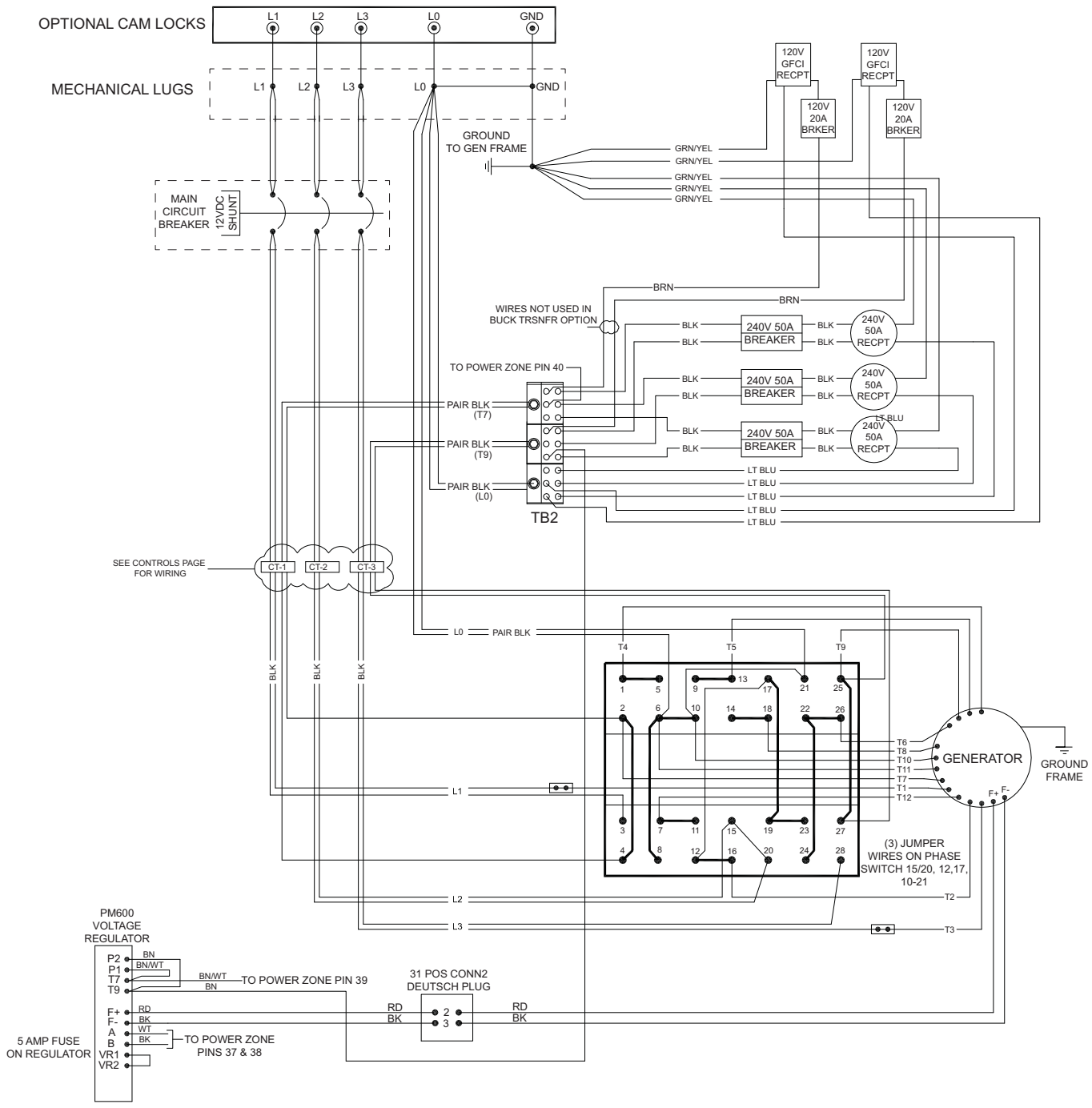
1000010202_A_07.05.17

COMPONENTS LOCATED INSIDE CONTROLS DOOR



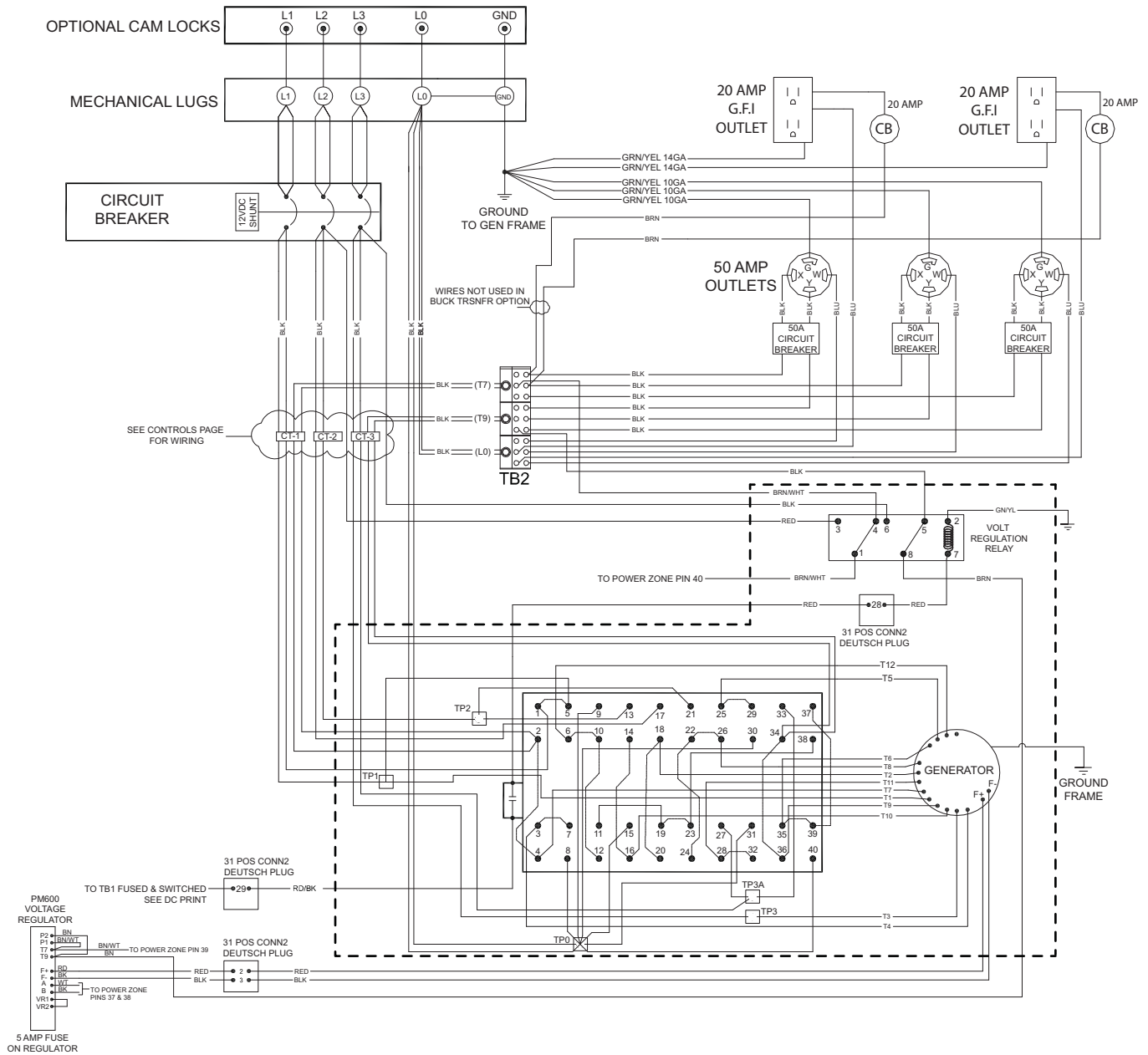
1000010202_A_07.05.17

COMPONENTS LOCATED OUTSIDE CONTROLS DOOR - THREE POSITION SELECTOR SWITCH



1000010202_A_07.05.17

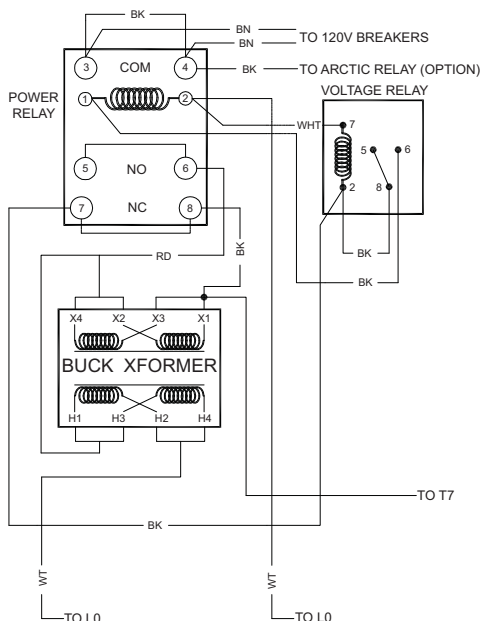
COMPONENTS LOCATED OUTSIDE CONTROLS DOOR - FOUR POSITION SELECTOR SWITCH



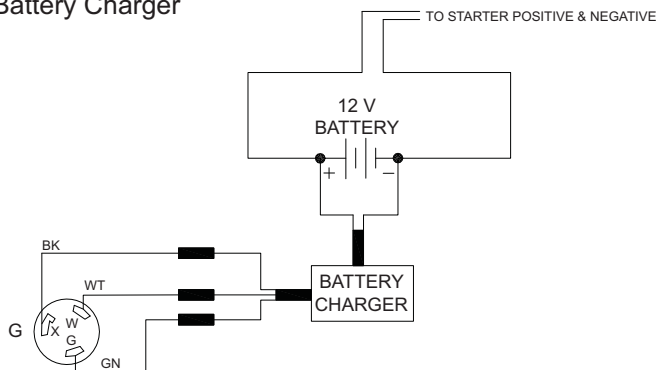
1000010202_A_07.05.17

OPTIONS

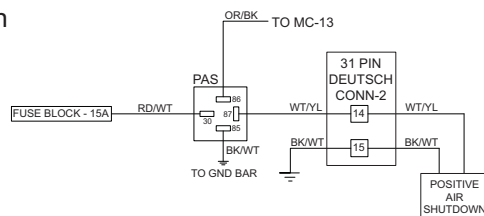
Buck Transformer



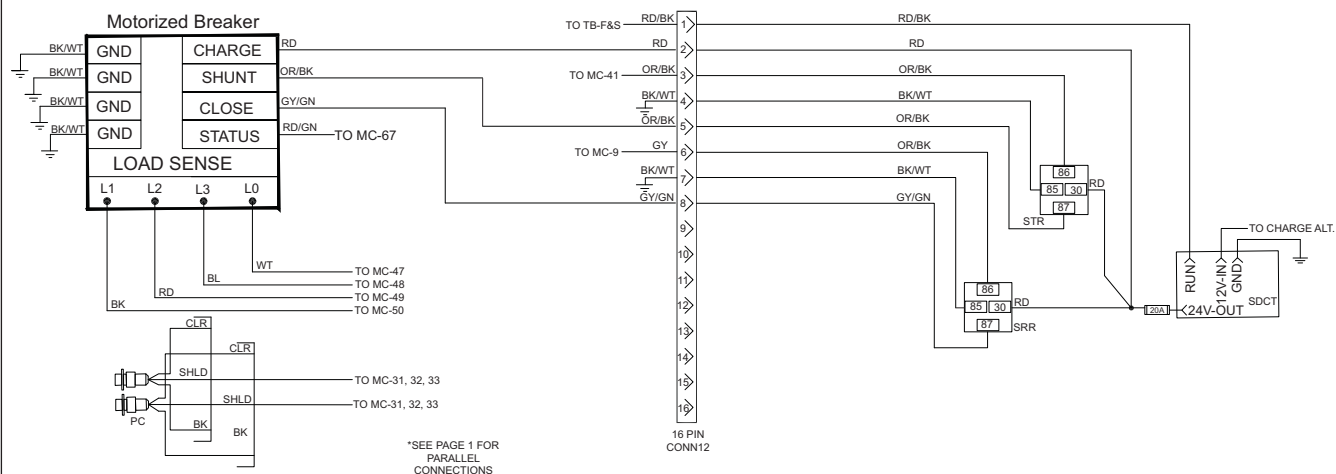
Battery Charger



Positive Air Shutdown

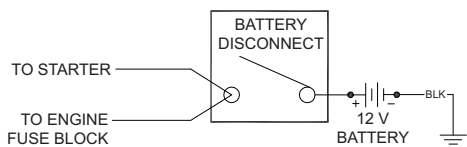


Paralleling

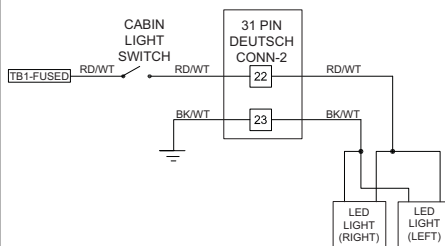


*SEE PAGE 1 FOR PARALLEL CONNECTIONS

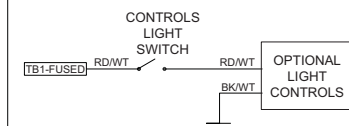
Battery Disconnect



Cabin Lights

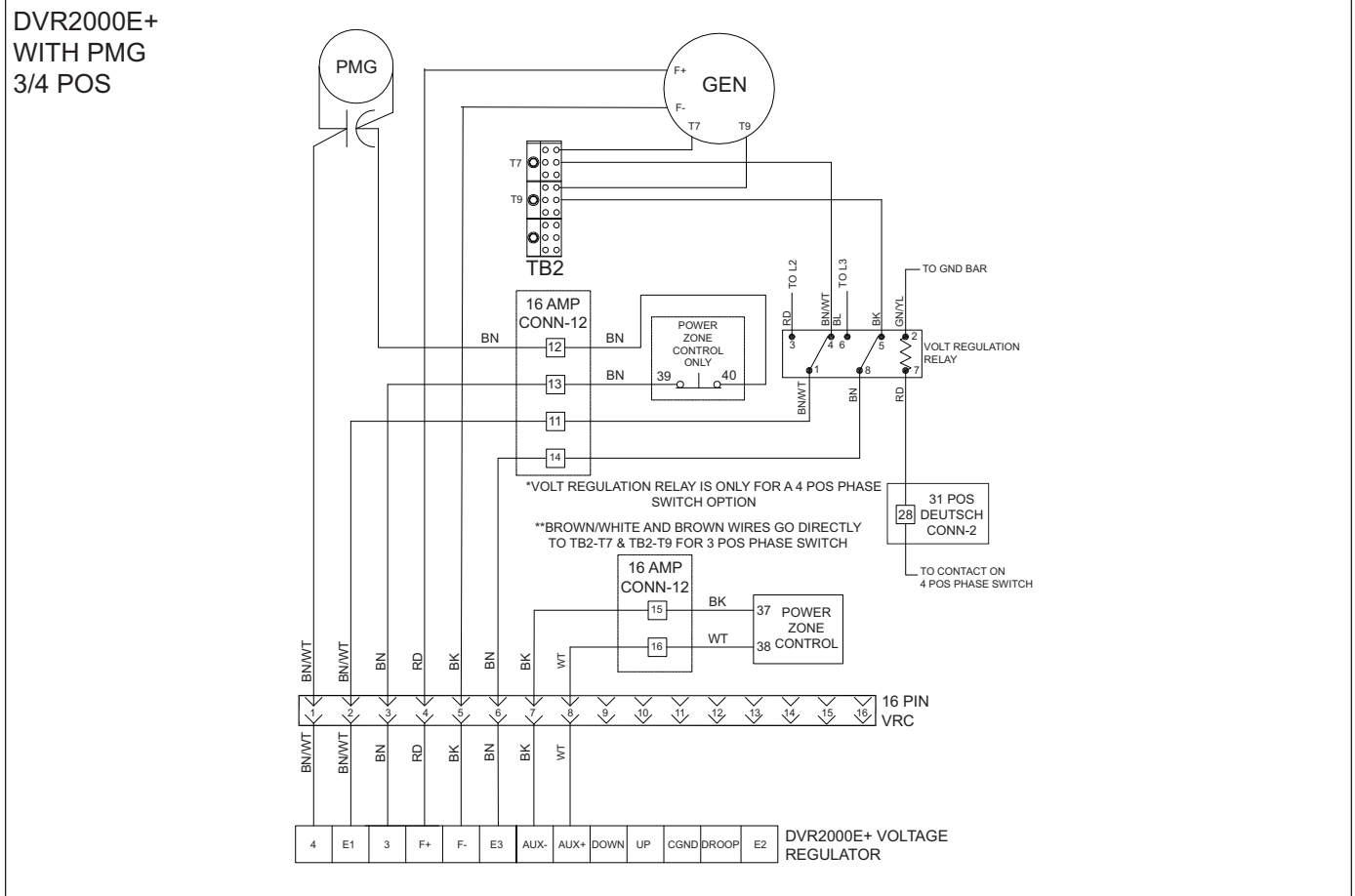
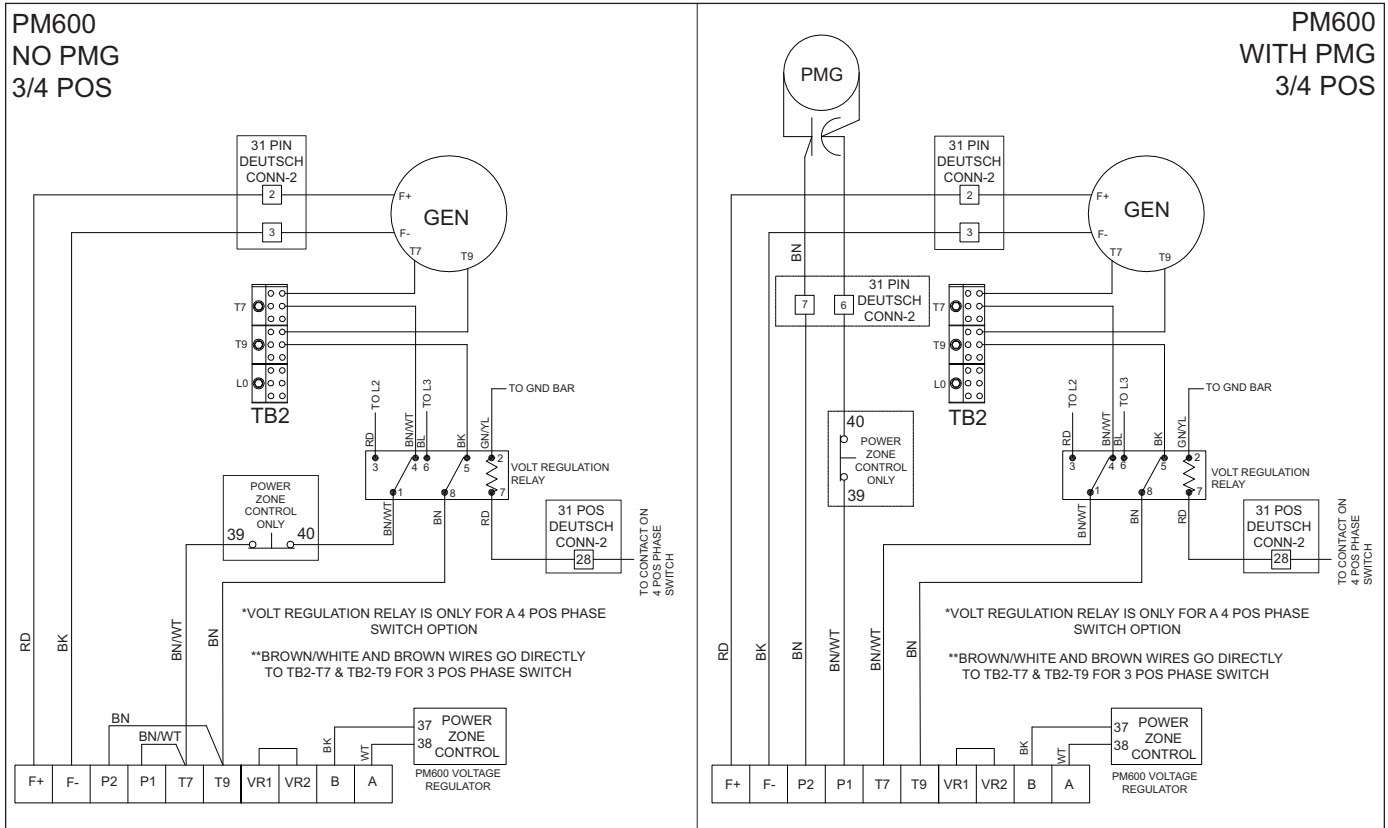


Controls Lights

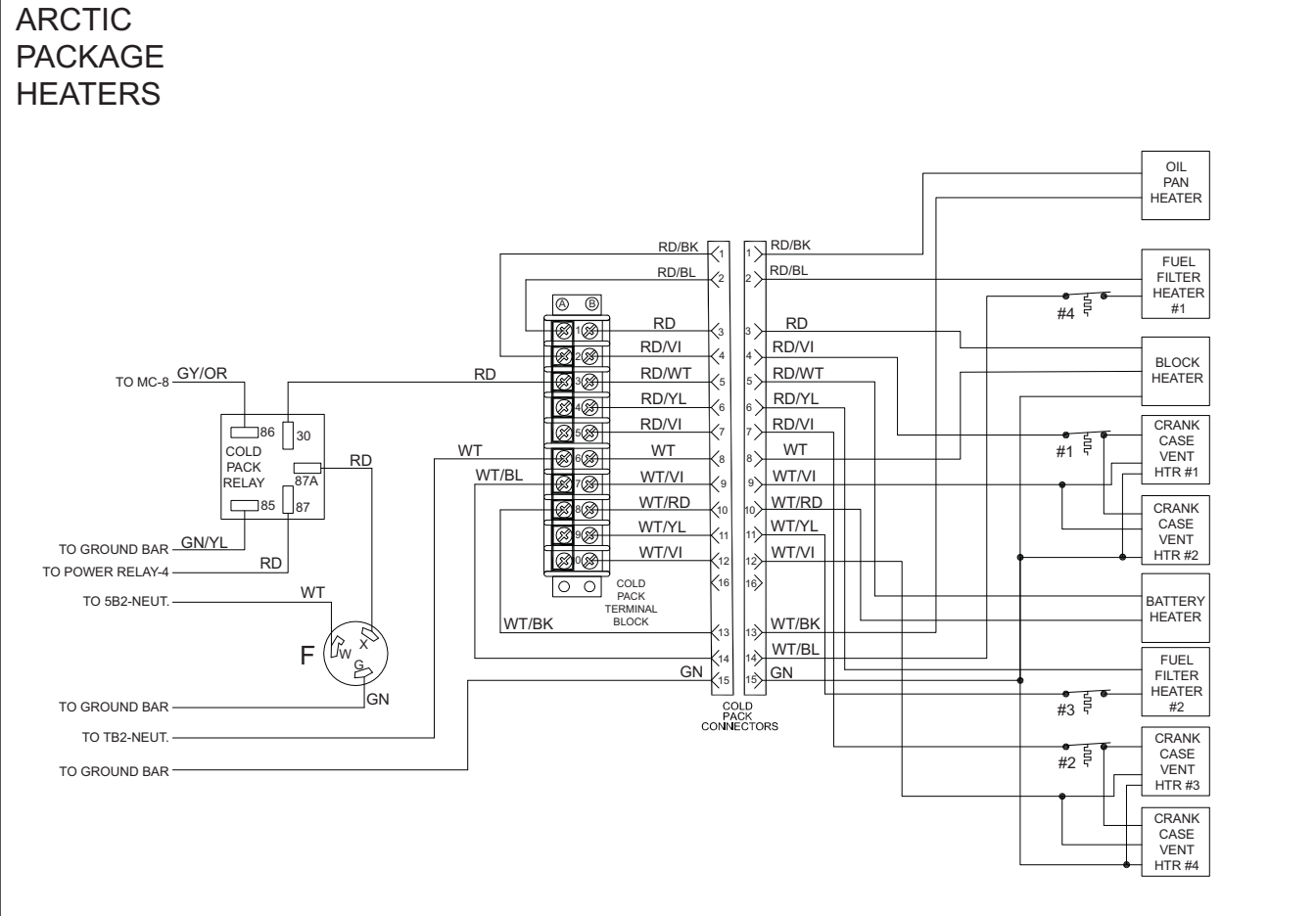
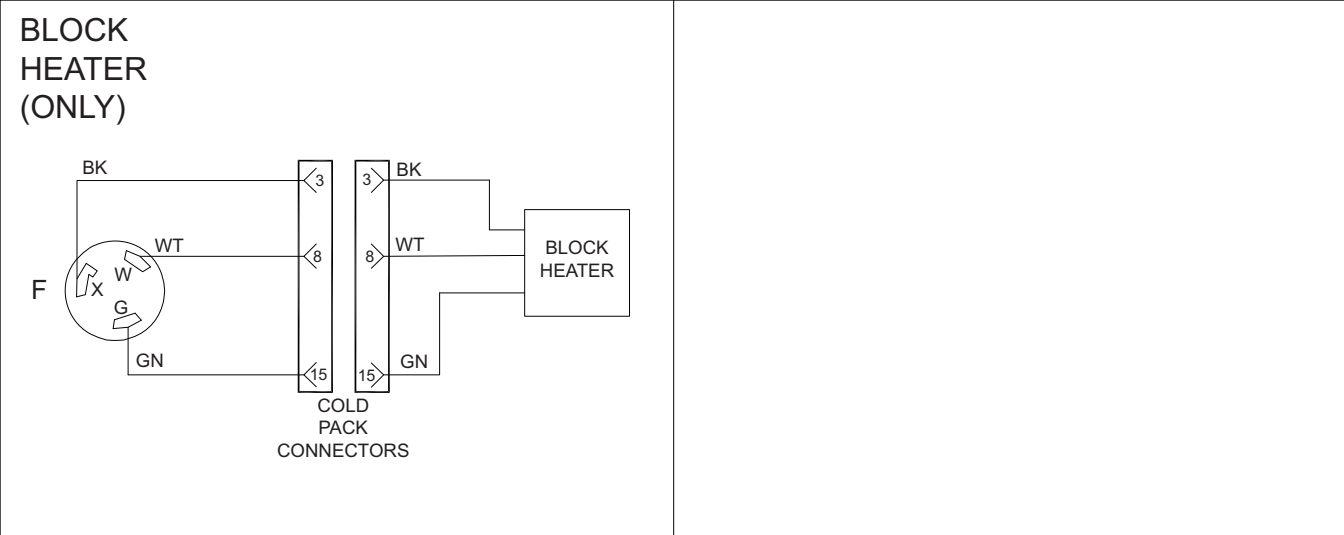


1000010202_A_07.05.17

VOLTAGE REGULATION AND PMG COMBINED OPTIONS

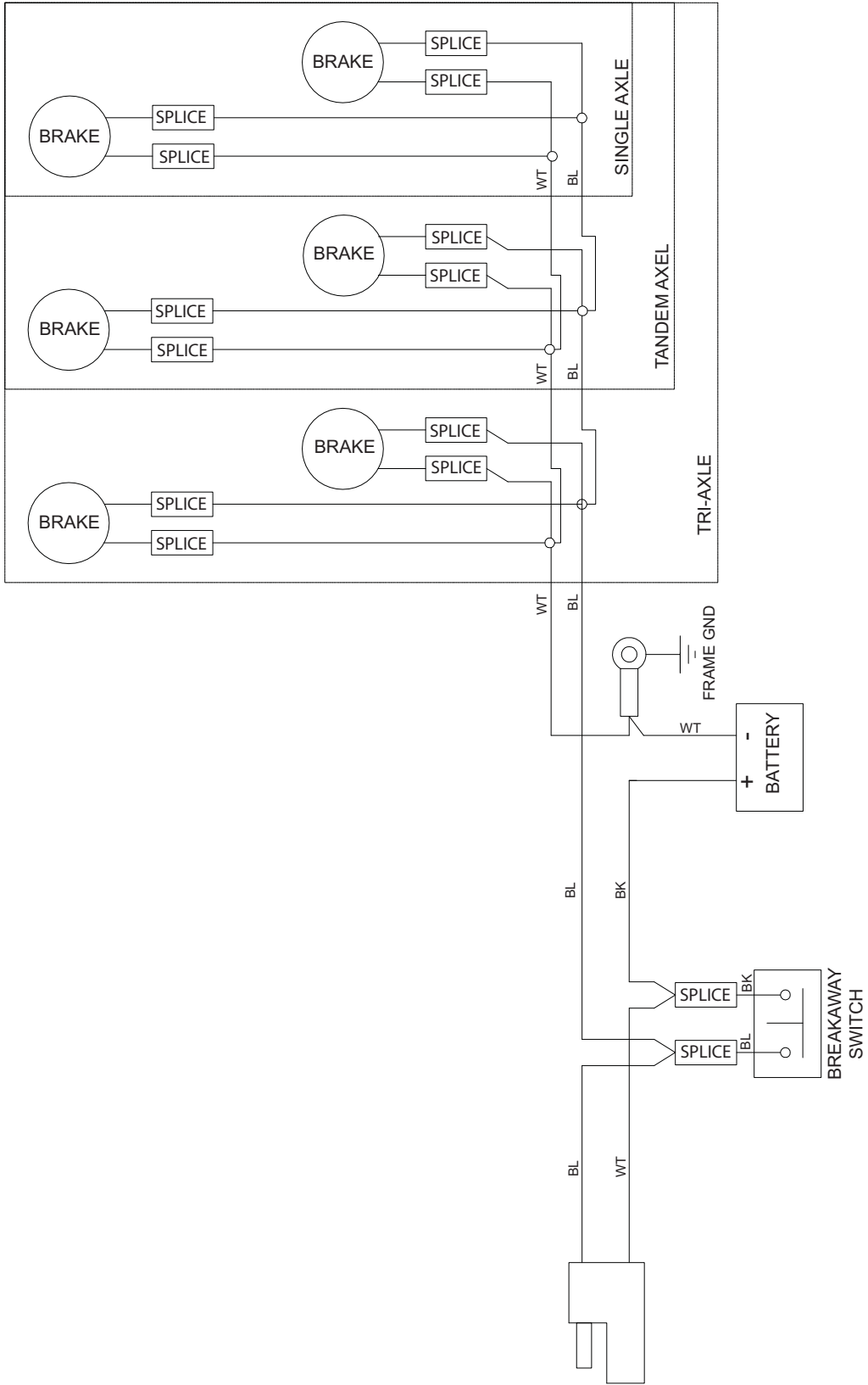


HEATER OPTIONS



1000010202_A_07.05.17

TRAILER BREAKING SYSTEM



10000010202_A_07.05.17

Service Log

OIL GRADE: _____ BRAND: _____

COOLANT MIXTURE: _____ BRAND: _____

Date	Hours to Service	Oil Level	Coolant Level

Date	Hours to Service	Oil Level	Coolant Level

This page intentionally blank

Part No. 10000018579 Rev. A 02/14/2018

©2018 Generac Mobile Products, LLC

All rights reserved.

Specifications are subject to change without notice.

No reproduction allowed in any form without prior written consent from Generac Mobile Products, LLC.

GENERAC

**MOBILE
PRODUCTS**

Generac Mobile Products, LLC
215 Power Drive, Berlin, WI 54923

GeneracMobileProducts.com | 800-926-9768 | 920-361-4442