

# 60-62kW<sup>1</sup> Commercial Generators



Power your business with a new 60kW<sup>1</sup> - 62kW<sup>1</sup> Commercial Generator System by GE that meets your operational power needs. Our generator systems help ensure that, when the power goes out, your business continues to run. It's that simple.

With an industrial GM Vortec™ engine, the 60kW<sup>1</sup> - 62kW<sup>1</sup> features business-friendly operation and extended life to maximize your investment.

Designed to offer you more options for businesses with increasing electrical demands, commercial generators are part of a complete line of GE Generator Systems for homes and businesses.

To learn more, visit [www.gegenerators.com](http://www.gegenerators.com)



## Features and Benefits

- Single-Phase or 3-Phase; 60,000 Watt<sup>1</sup>; 62,000 Watt<sup>1</sup>
- 5 Year Parts and Labor Limited Warranty<sup>2</sup> - one of the best in the industry!
- Multiple voltages and configurations available
- 3 new controller options available: Briggs & Stratton®, IntelliNano<sup>NT</sup> MRS and IntelliLite<sup>NT</sup> MRS 19
- Complete package from GE Generator Systems (generators, transfer switches and accessories)

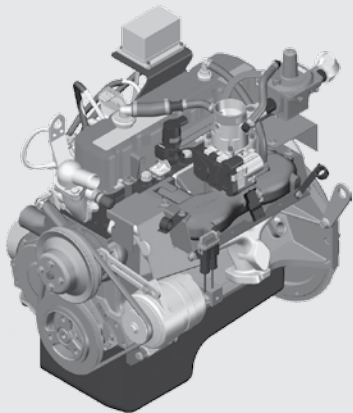


Model	Power (kW <sup>1</sup> )	Alternator	L-N	L-L	Config	# Leads	Phase	Power Factor	Hz	LP Gas		Natural Gas		Breaker	Controller
										kW <sup>1</sup>	Amps	kW <sup>1</sup>	Amps		
076060	60	60-BSPP-0	120	240	-	4	1	1.0	60	60	250	54	225	300	Briggs & Stratton® Standard
076061	62	60-TBSPP-0	120	208	WYE	12	3	0.8	60	62	215	55.8	194	225	InteliNano <sup>NT</sup>
076062	62	60-TBSPP-0	139	240	WYE	12	3	0.8	60	62	186	55.8	168	225	InteliNano <sup>NT</sup>
076063	62	60-TBSPP-0	120	240	Delta	12	3	0.8	60	62	186	55.8	168	225	InteliNano <sup>NT</sup>
076064	62	60-TBSPP-0	240	416	WYE	12	3	0.8	60	62	108	55.8	97	125	InteliNano <sup>NT</sup>
076065	62	60-TBSPP-0	277	480	WYE	12	3	0.8	60	62	93	55.8	84	110	InteliNano <sup>NT</sup>
076260	60	60-BSPP-0	120	240	-	4	1	1.0	60	60	250	54	225	300	InteliLite <sup>NT</sup>
076261	62	60-TBSPP-0	120	208	WYE	12	3	0.8	60	62	215	55.8	194	225	InteliLite <sup>NT</sup>
076262	62	60-TBSPP-0	139	240	WYE	12	3	0.8	60	62	186	55.8	168	225	InteliLite <sup>NT</sup>
076263	62	60-TBSPP-0	120	240	Delta	12	3	0.8	60	62	186	55.8	168	225	InteliLite <sup>NT</sup>
076264	62	60-TBSPP-0	240	416	WYE	12	3	0.8	60	62	108	55.8	97	125	InteliLite <sup>NT</sup>
076265	62	60-TBSPP-0	277	480	WYE	12	3	0.8	60	62	93	55.8	84	110	InteliLite <sup>NT</sup>

## Reliable Strength for Businesses

More fuel efficient and quieter than 3,600 RPM engines, GE commercial standby generators feature a GM Vortec™ 1,800 RPM engine for neighbor and budget-friendly operation. A world class performer, GM Vortec engine provides sophisticated yet extremely durable industrial grade power for years of reliable performance. Plus, our low operating speeds are designed for longer product life.

Built to last, our enclosures are made from the same rust-resistant, durable Galvanneal steel and paint process that is used in the automotive industry, resulting in years of protection against chipping and abrasions.



Backed by a five-year limited parts and labor warranty<sup>2</sup>, we're a smart choice for commercial back-up power.

## Designed for Serviceability

All of our commercial generators have Galvanneal enclosures with internal swing open doors instead of punched metal finger guards providing you with immediate access to the entire engine without disassembly. Servicing our generators is that simple.

There is no cost associated with support software for GE Commercial Generator Systems. Service software is available for download off of the dealer PowerPortal.



## Engine Specifications

Engine Model Number	GM Vortec 5.7L Industrial Powertrain
Engine Type	8 Cylinder, 4-Cycle
Displacement (ltr / cc)	5.7 / 5736
Rated RPM	1800
Induction System	Naturally Aspirated
EPA Emissions Certification	Yes
Air Filter Type	Dry
Governor Type	Electronic
Freq Reg NL to FL	Isochronous
Freq Reg Ready State	+/-0.5%

## Engine Lubrication Specifications

Lubrication Type	Full Pressure
Oil Pan Capacity (qts / ltr)	4.5 / 4.3
Oil Pan Capacity with Filter (qts / ltr)	5.0 / 4.7
Oil Filter Quantity / Type	1 / Cartridge
Recommended Oil	API GF-4 10W30

## LP Gas Fuel Consumption<sup>3</sup> - Standby Rating

100% Load (ft <sup>3</sup> /hr / gal/hr)	345 / 9.0
50% Load (ft <sup>3</sup> /hr / gal/hr)	200 / 5.2
No Load (ft <sup>3</sup> /hr / gal/hr)	83 / 2.2

## NG Fuel Consumption<sup>3</sup> - Standby Rating

100% Load (BTU/hr / m <sup>3</sup> ph)	788,000 / 22.3
50% Load (BTU/hr / m <sup>3</sup> ph)	463,000 / 13.1
No Load (BTU/hr / m <sup>3</sup> ph)	217,000 / 6.2

## Engine Output Deratings - Standby

Rated Temp	77°F / 25°C
Rated Altitude	Sea Level
Max Altitude	15,000 ft
Temperature Derate	1% for each 10°F (5.6°C) above rated temp
Altitude Derate	3% / 1000 ft

## Sound Rating at 7 Meter

25% of Full Load	66 dB(A)
------------------	----------

## Engine Cooling System Specifications

Max Ambient Temp (°F / °C)	104 / 40
Engine Coolant Capacity (gal / ltr)	2.3 / 8.5
Engine + Radiator Coolant Capacity (gal / ltr)	6.0 / 22.7

## Engine Electrical System Specifications

Charging Alternator (volts dc)	12
Recommended Battery (volts dc)	12
Recommended Battery (cca)	630
Quantity Needed	1

## Engine Fuel System Specifications

Recommended Fuel	
LP min LHV (btu/ft <sup>3</sup> )	2260
NG min LHV (btu/ft <sup>3</sup> )	890
Fuel Supply Pressure in-H <sub>2</sub> O	7-11 (at full load)
Fuel Supply Line at Engine (npt)	1"

## Alternator Specifications

Manufacturer	BSPPG, LLC
Type	4-pole, brushless
Voltage Regulator	Solid state, Volts/Hz
Insulation (material)	Class H
Designed Temperature Rise Limit	120°C
Bearing (quantity / type)	1, Sealed
Voltage Reg NL to FL	+/-1.0%
Frequency compensation	8V/Hz voltage drop below 55 Hz

## Alternator - Designed to Last

With a total temperature capability of 160°C, GE Generator Systems limit the temperature rise to 120°C above ambient temperature to offer extended life of the alternator.



## Controller Options



### Standard Controller

- User-friendly control panel for troubleshooting
- Conveniently monitors diagnostic conditions, displays system fault codes and sets weekly exercise cycle
- Easy-to-read alpha-numeric scrolling display
- Single-phase generator application only
- UL recognized



### InteliNano<sup>NT</sup> MRS Controller

- Cost effective controller that can be configured to application input, output and parameter requirements
- Large graphical display
- 3-phase sensing
- "Zero" power consumption mode
- Easy installation and user-friendly operation
- 10 event history log
- USB communication interface
- UL recognized



### InteliLite<sup>NT</sup> MRS 19 Controller

- Integrated controller that fulfills requirements needed for MRS applications
- Remote control
- User configuration
- Complete gen-set monitoring and protection
- Powerful graphic display
- Easy troubleshooting with comprehensive history log
- Operator friendly analog gauge outputs (VDO, Datcon)
- Remote control and monitoring capabilities
- UL recognized

## Extension Modules

### Remote Annunciator (6267)

- 15 programmable LEDs with configurable colors
- Customizable labels
- Local horn output
- Lamp test function
- UL certified

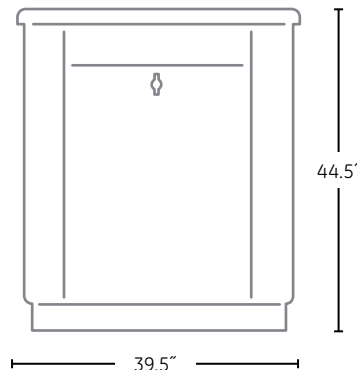
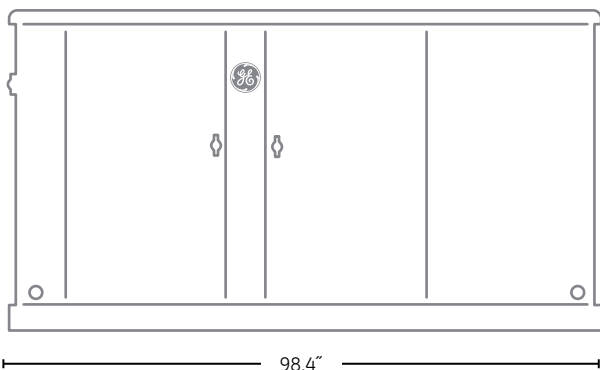
### Remote Display (6266)

- Mimics primary controller
- Uses CAN communications

## Weight and Dimensions

Weight - (lb / kg) 2120lb/962kg

Overall Dimensions 98.4" x 39.5" x 44.5"  
2499mm x 1001mm x 1131mm



Not for Prime Power or use where standby systems are legally required, for serious life safety or health hazards, or where lack of power hampers rescue of fire-fighting operations.

<sup>1</sup> This generator is rated in accordance with UL (Underwriters Laboratories) 2200 (stationary engine generator assemblies) and CSA (Canadian Standards Association) standard C22.2 No. 100-04 (motors and generators)

<sup>2</sup> Warranty details available at [www.generators.com](http://www.generators.com)

<sup>3</sup> Fuel consumption rates are estimated based on normal operating conditions. Generator operation may be greatly affected by elevation and the cycling operation of multiple electrical appliances – fuel flow rates may vary depending on these factors.

# Why Choose GE?

As a leader in energy innovation GE Generator Systems offer a full line of automatic standby generators for your business.

## Warranty

The five-year limited warranty<sup>2</sup> is one of the best comprehensive parts and labor warranties in the industry.

## Complete Package

With GE Generator Systems, you can **save time and money** by ordering the complete package including transfer switch, generator and accessories.

## Reliable

GE is a **name your customers know and trust**. You can be confident that each installed Standby Generator System will perform for many years.

# With You Every Step of the Way

Need help? Just call 800-759-2744. Our technical support team is trained to answer questions on our generators, transfer switches and accessories.

**Ready to place an order? Our team is ready to help.**

**Call 1-87-RELY-ON-US.**

## Included Extras

Each system includes an hour meter, battery charger, basic wireless monitor, radiator fluid and oil.

## Transfer Switches

### Symphony® II Transfer Switch

GE single-phase generator systems operate with our Symphony® II transfer switch. This transfer switch features advanced power management controls that provide the flexibility to manage all powered applications and products in your business including up to 8 high wattage items, with a smaller generator. The NEMA 3R rated transfer switch can be installed both inside and outside the business.

### GE Zenith Transfer Switches

Designed to fit most commercial, three-phase applications, GE Zenith transfer switches are available in open transition, delayed transition and service entrance rated. Each switch comes with an extended 2 year warranty for purchasing with a GE Commercial Generator System.

**Call to ask your inside sales representative about generator and transfer switch packages.**

## Available Accessories

- Maintenance Kit, 6168
- 45-60kW<sup>1</sup> Engine Block Heater Kit, 6242
- High and Low Voltage Modules (for use with model 076060 only)
- Infohub™ wireless monitoring, 6260 (for use with model 076060 only)



Is a trademark of General Electric Company and is under license by Briggs & Stratton Corporation  
Post Office Box 702  
Milwaukee, WI 53201 USA

Assembled in USA

Briggs & Stratton Corp. reserves the right to make changes in specifications and features shown herein, or discontinue the product described at any time without notice or obligation.

GESB00102-2/14