

DGK70F Generator

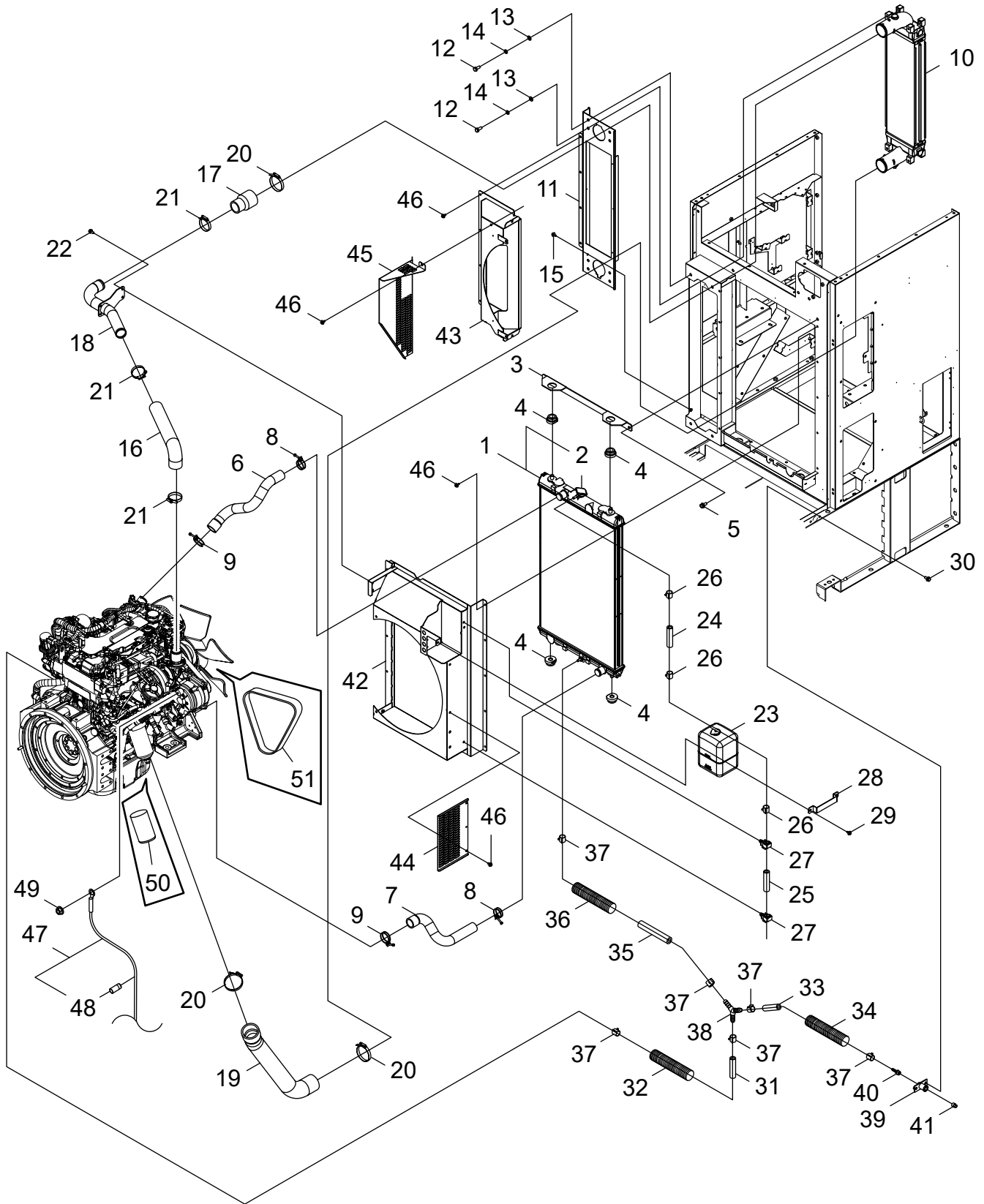


SERIAL NUMBERS

D17101000001 - D17101999999

RADIATOR ASSEMBLY	2	RIGHT ENCLOSURE	24
RADIATOR ASSEMBLY	3	RIGHT ENCLOSURE	25
RADIATOR ASSEMBLY	4	TOP ENCLOSURE	26
RADIATOR ASSEMBLY	5	TOP ENCLOSURE	27
AIR AND MUFFLER ASSEMBLY	6	ALTERNATOR	28
AIR AND MUFFLER ASSEMBLY	7	ALTERNATOR	29
FUEL TANK, OIL CONTAINMENT	8	MAIN CONTROL PANEL	30
FUEL TANK, OIL CONTAINMENT	9	MAIN CONTROL PANEL	31
FUEL LINES	10	MAIN BREAKER AND CONTROL BOX	32
FUEL LINES	11	MAIN BREAKER AND CONTROL BOX	33
OIL LINES	12	POWER OUTPUT TERMINALS	34
OIL LINES	13	POWER OUTPUT TERMINALS	35
FRONT ENCLOSURE	14	LABELS	36
FRONT ENCLOSURE	15	LABELS	37
REAR ENCLOSURE	16	SELECTIVE CATALYTIC REDUCTION (SCR) PIPING	38
REAR ENCLOSURE	17	SELECTIVE CATALYTIC REDUCTION (SCR) PIPING	39
SWITCHES	18	SELECTIVE CATALYTIC REDUCTION (SCR) PIPING	40
SWITCHES	19	SELECTIVE CATALYTIC REDUCTION (SCR) PIPING	41
BASE, FRAME	20	HEATER	42
BASE, FRAME	21	HEATER	43
LEFT ENCLOSURE	22		
LEFT ENCLOSURE	23		

RADIATOR ASSEMBLY

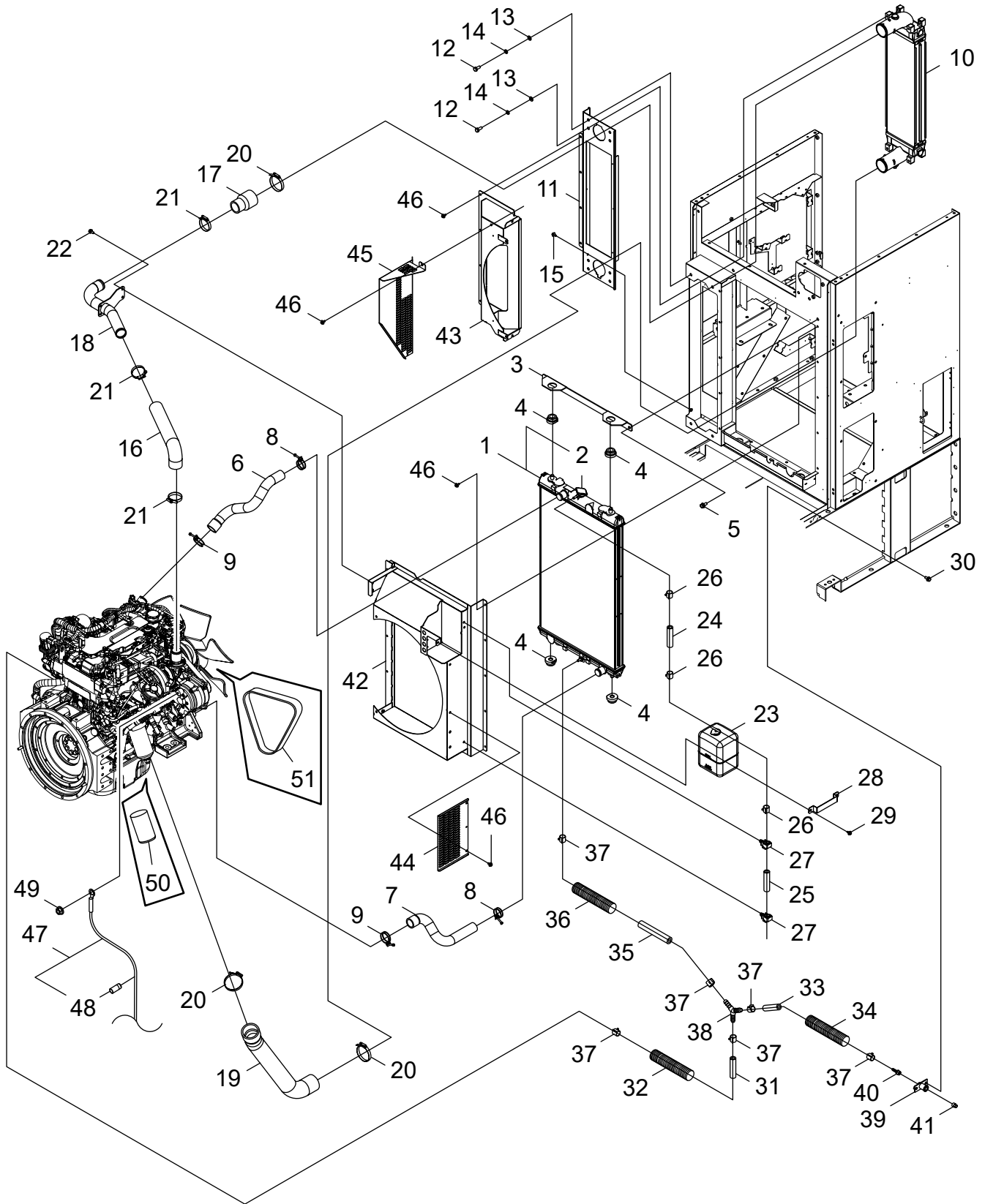


+ Denotes item is part of an assembly
 ++ Denotes item is part of a sub-assembly

RADIATOR ASSEMBLY

NO.	PART NUMBER	QTY.	DESCRIPTION
1	G20000380	1	RADIATOR
2	M608000060	1	+CAP,RADIATOR
3	C527001840	1	STAY
4	V420005100	4	CUSHION
5	V206000590	2	BOLT,10
6	G203000720	1	HOSE,RADIATOR
7	G203000730	1	HOSE,RADIATOR
8	V495001980	2	HOSE CLAMP
9	V495003560	2	BAND
10	J197000030	1	INTERCOOLER
11	M471000850	1	COVER
12	90010010025	8	BOLT 10*25
13	90060200010	8	WASHER 10
14	90060500010	8	WASHER,SPRING 10
15	V204001090	2	BOLT FT SW
16	G213000690	1	HOSE,AIR
17	G213000700	1	HOSE,AIR
18	V186000790	1	JOINT,PIPE
19	G213000710	1	HOSE,AIR
20	V495003130	3	BAND
21	V495001700	3	HOSE CLAMP
22	V205001170	2	BOLT,8
23	G125000230	1	TANK,RESERVE
24	K400001600	1	HOSE
25	K400001450	1	HOSE
26	V495001670	3	HOSE CLAMP
27	V490000790	2	CLAMP
28	C527001850	1	STAY
29	V204001090	2	BOLT FT SW
30	V205001340	2	BOLT,8
31	K400001490	1	HOSE
32	V475005600	1	TUBE
33	K700001830	1	HOSE
34	V475005500	1	TUBE
35	K400001390	1	HOSE
36	V475005540	1	TUBE
37	V495001670	6	HOSE CLAMP
38	M601000170	1	JOINT
39	C153000100	1	SOCKET
40	K432000050	1	NIPPLE
41	E328000130	1	DRAIN PLUG
42	G202000371	1	DUCT,RADIATOR
43	G202000381	1	DUCT,RADIATOR
44	A172003371	1	COVER,FAN
45	A172003380	1	COVER,FAN
46	V204001090	24	BOLT FT SW

RADIATOR ASSEMBLY

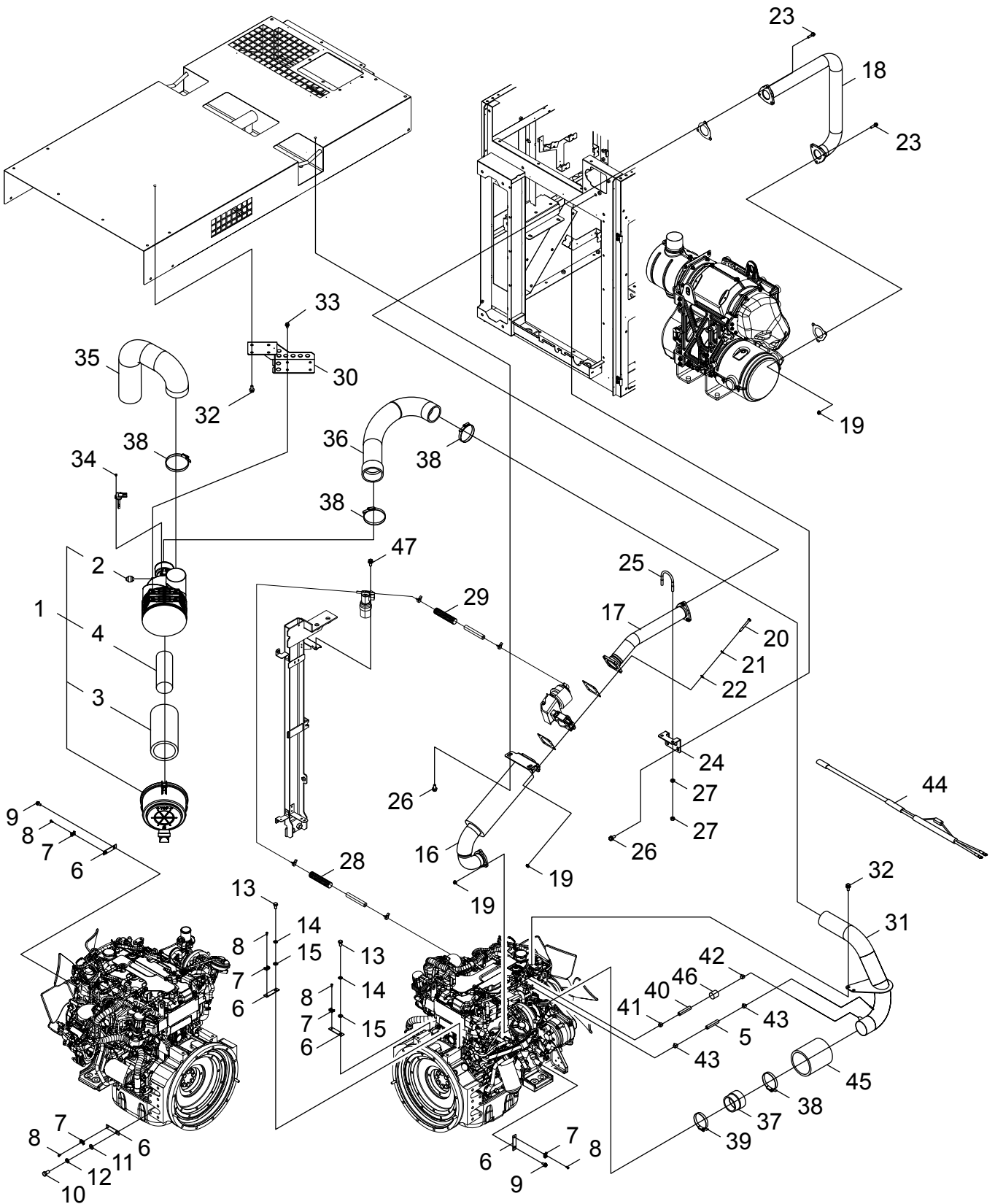


+ Denotes item is part of an assembly
 ++ Denotes item is part of a sub-assembly

RADIATOR ASSEMBLY

NO.	PART NUMBER	QTY.	DESCRIPTION
47	G363000591	1	HARNESS,WIRE
48	G347000020	1	+DIODE
49	V265000290	1	FLANGE NUT
50	I8980188580	1	ELEMENT,OIL FILTER
51	I8973629260	1	BELT,COOLING FAN

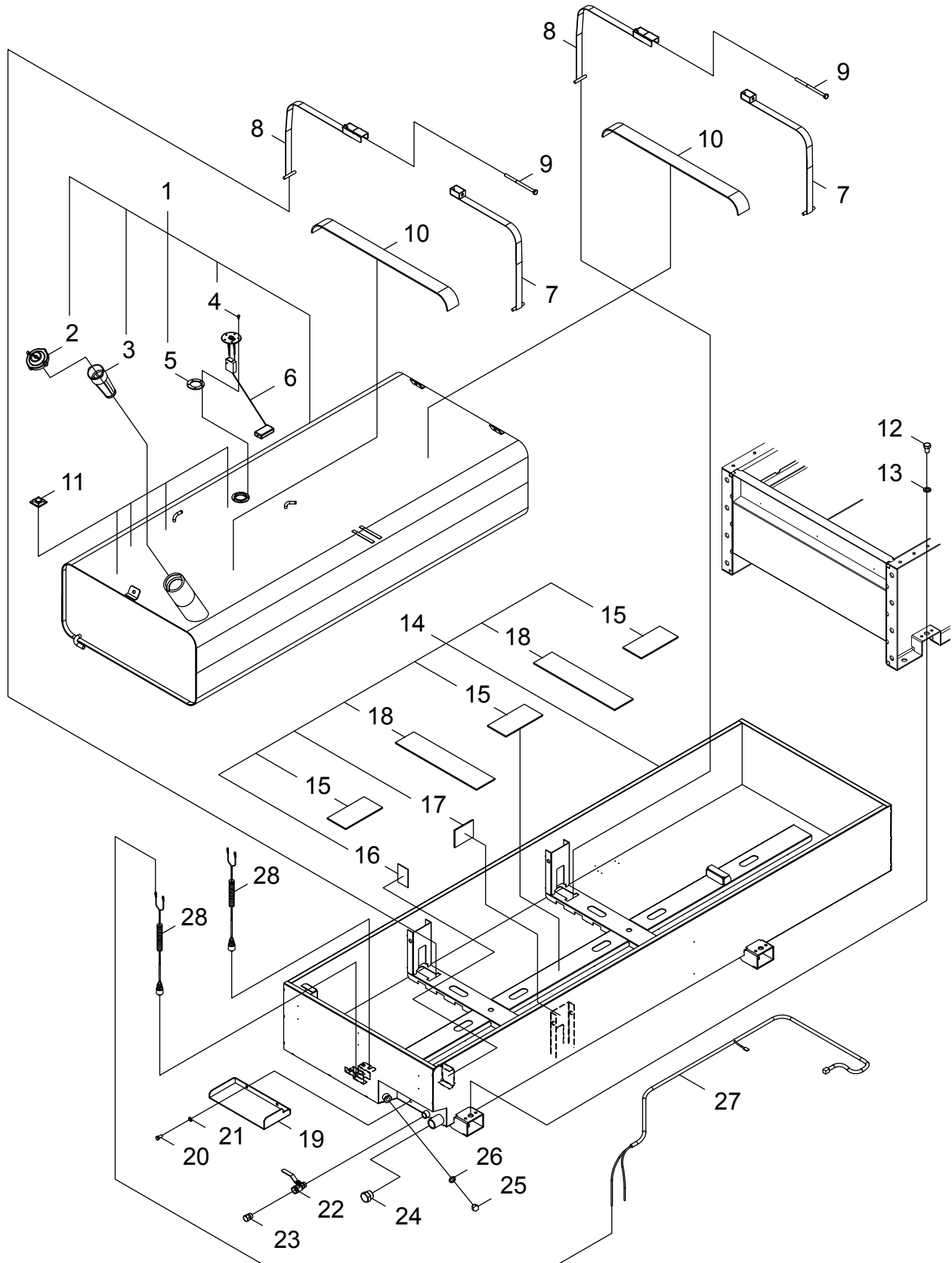
AIR AND MUFFLER ASSEMBLY



AIR AND MUFFLER ASSEMBLY

NO.	PART NUMBER	QTY.	DESCRIPTION
1	A027000190	1	CLEANER,ASM AIR
2	M609000010	1	+INDICATOR
3	A226002220	1	+ELEMENT,AIR FILTER
4	A226002230	1	+ELEMENT,AIR FILTER
5	K400003510	1	HOSE
6	C519002460	5	STAY
7	M416000010	5	TIE MOUNT
8	9134305012	5	SCREW
9	V205001170	2	BOLT,8
10	90010012025	1	BOLT 12*25
11	90060200012	1	WASHER
12	90060500012	1	SPRING WASHER
13	9101010020	2	BOLT
14	90060500010	2	WASHER,SPRING 10
15	90060200010	2	WASHER 10
16	G231001230	1	PIPE,EXHAUST
17	G231001240	1	PIPE,EXHAUST
18	G231001250	1	PIPE,EXHAUST
19	V265000290	10	FLANGE NUT
20	90010008070	4	BOLT
21	90060200008	4	WASHER 8
22	90060500008	4	WASHER,SPRING 8
23	9102408035	6	BOLT
24	C527001890	1	STAY
25	V241000320	1	BOLT,U
26	V206000590	4	BOLT,10
27	90050000010	4	NUT 10 MM
28	V475005420	1	TUBE
29	V475005920	1	TUBE
30	C527001860	1	STAY
31	V186000800	1	JOINT,PIPE
32	V206000590	6	BOLT,10
33	V205001170	4	BOLT,8
34	9156804010	2	SCREW SLPW
35	G213000720	1	HOSE,AIR
36	G213000730	1	HOSE,AIR
37	G213000740	1	HOSE,AIR
38	V495003140	4	BAND
39	V495003130	1	BAND
40	G213000750	1	HOSE,AIR
41	V495003570	1	BAND
42	V495003580	1	BAND
43	V495003590	2	BAND
44	C526000220	1	HEATER
45	V476001940	1	TUBE
46	V476001950	1	TUBE
47	V205001170	1	BOLT,8

FUEL TANK, OIL CONTAINMENT

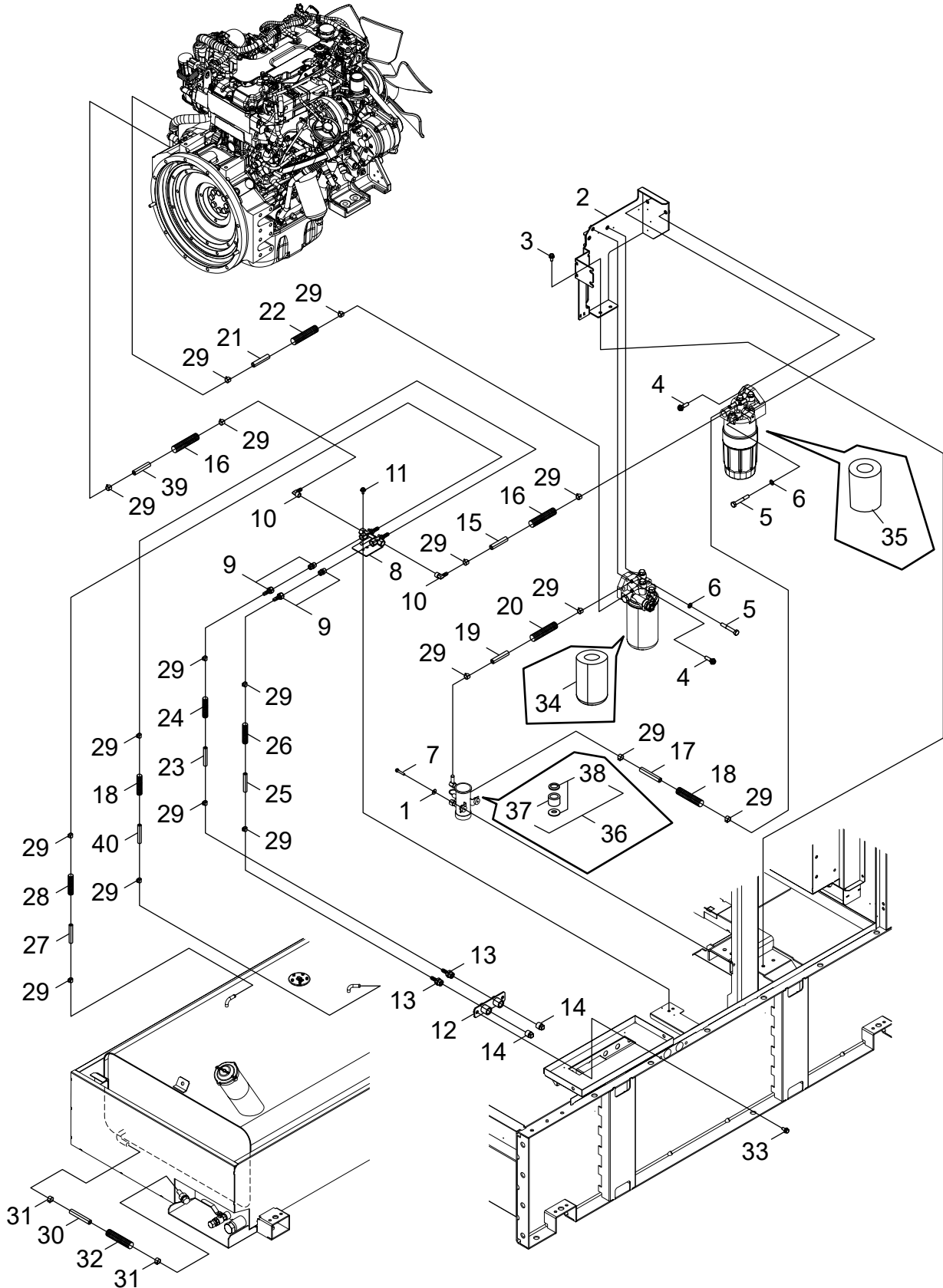


+ Denotes item is part of an assembly
 ++ Denotes item is part of a sub-assembly

FUEL TANK, OIL CONTAINMENT

NO.	PART NUMBER	QTY.	DESCRIPTION
1	G250001210	1	TANK,FUEL
2	G255000010	1	+TANK CAP
3	A369000160	1	+STRAINER
4	9156405010	5	+SCREW SPW
5	K221000030	1	+PACKING
6	E325000050	1	FUEL GAUGE
7	A392000430	2	BAND, FUEL TANK
8	A392000440	2	BAND, FUEL TANK
9	V206000610	2	BOLT,10
10	V420003920	2	CUSHION
11	M416000040	4	TIE MOUNT
12	9109816025	4	BOLT
13	9222916000	4	WASHER
14	J447001760	1	GUARD
15	V420003060	3	+PAD
16	M700000010	2	+PAD
17	V420003050	2	+PAD
18	V420003930	2	+CUSHION
19	J447001160	1	GUARD
20	9109808020	2	BOLT
21	9222908000	2	WASHER
22	E265000310	1	VALVE
23	E328000330	1	PLUG,DRAIN
24	E328000340	1	PLUG,DRAIN
25	E328000140	1	DRAIN PLUG
26	V106000110	1	SEAL WASHER
27	G363000600	1	HARNES,WIRE
28	G334001360	2	SWITCH

FUEL LINES

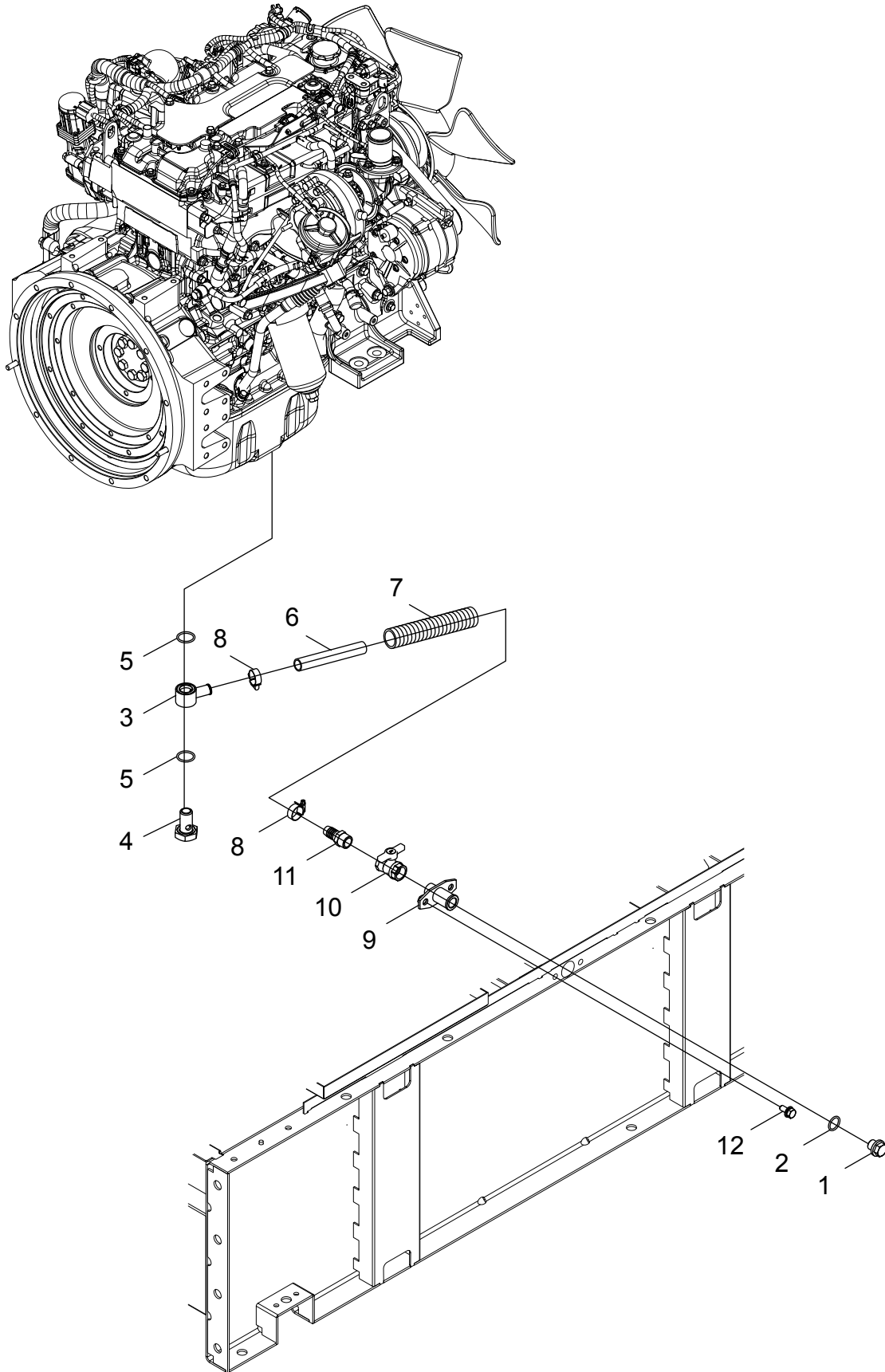


+ Denotes item is part of an assembly
 ++ Denotes item is part of a sub-assembly

FUEL LINES

NO.	PART NUMBER	QTY.	DESCRIPTION
1	V345000050	2	WASHER
2	C527001920	1	STAY
3	V205001170	6	BOLT,8
4	9100710035	4	BOLT FLANGE
5	90010010070	2	BOLT 10*70
6	90060000010	2	WASHER 10.5×18×1.6
7	9102206035	2	BOLT
8	E265000120	1	COCK
9	V187000290	2	NIPPLE
10	E237000270	2	ELBOW
11	V204001090	2	BOLT FT SW
12	C153000560	1	SOCKET
13	V187000110	2	NIPPLE
14	E328000110	2	DRAIN PLUG
15	K401000350	1	HOSE
16	V475005530	2	TUBE
17	K401000420	1	HOSE
18	V475007820	2	TUBE
19	K401000550	1	HOSE
20	V475006020	1	TUBE
21	K401000380	1	HOSE
22	V475005420	1	TUBE
23	K401000730	1	HOSE,8.5
24	V475008670	1	TUBE
25	K401000400	1	HOSE
26	V475008240	1	TUBE
27	K401000540	1	HOSE
28	V475005740	1	TUBE
29	V495001660	18	HOSE CLAMP
30	K403000540	1	HOSE,13
31	V495003210	2	BAND
32	V475008890	1	TUBE
33	V205001340	2	BOLT,8
34	I8983129180	1	ELEMENT; FUEL FILTER
35	I8980742881	1	FUEL;FILTER PRE
36	I8981731650	1	REPAIR KIT:FUEL PUMP
37	I8980714010	1	+FILTER; FUEL PUMP
38	I8980714040	1	+GASKET KIT; FUEL PUMP
39	K401000350	1	HOSE
40	K401000420	1	HOSE

OIL LINES

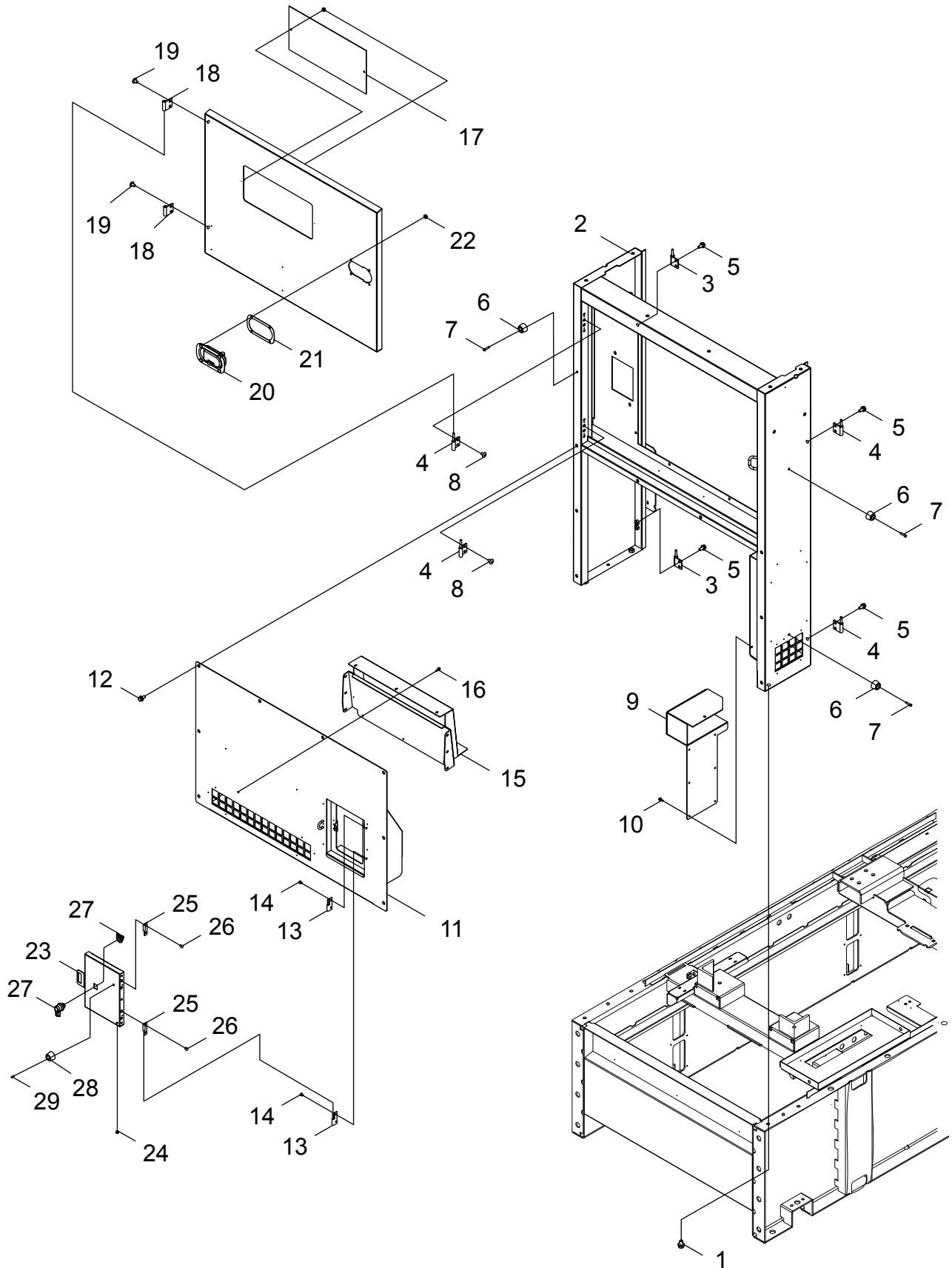


+ Denotes item is part of an assembly
++ Denotes item is part of a sub-assembly

OIL LINES

NO.	PART NUMBER	QTY.	DESCRIPTION
1	E328000120	1	DRAIN PLUG
2	V581000380	1	O RING
3	K313000050	1	FIXTURE, HOSE JOINT
4	V242000410	1	BOLT,EYE
5	V581000760	2	RING,O
6	K405000460	1	HOSE,19
7	V476001930	1	TUBE
8	V495001710	2	HOSE CLAMP
9	C153000180	1	SOCKET
10	E265000130	1	COCK
11	V187000130	1	NIPPLE
12	V206000720	2	BOLT,10

FRONT ENCLOSURE

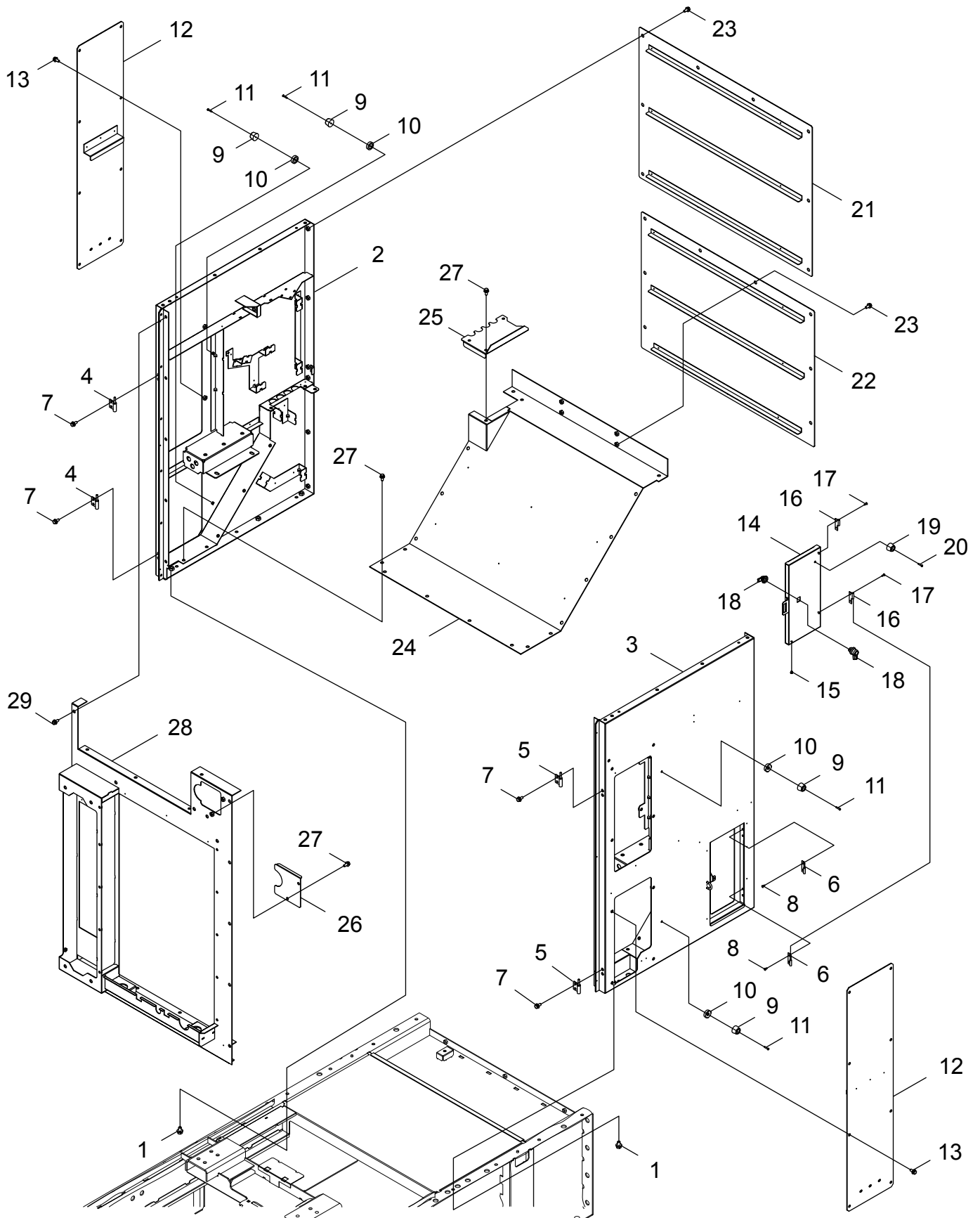


+ Denotes item is part of an assembly
 ++ Denotes item is part of a sub-assembly

FRONT ENCLOSURE

NO.	PART NUMBER	QTY.	DESCRIPTION
1	V206000720	6	BOLT,10
2	J495000580	1	BONNET
3	J485000260	2	HINGE
4	J485000250	4	HINGE
5	V205001260	8	BOLT,8
6	V420003070	3	STAND RUBBER
7	9138104020	3	SCREW TAPPING
8	9131808020	4	SCREW TRUSS
9	G128000720	1	DUCT,AIR
10	V202000710	7	BOLT,4
11	J500001880	1	PANEL
12	V205001340	8	BOLT,8
13	J485000310	2	HINGE
14	9144704012	4	SCREW TAPPING
15	G128000731	1	DUCT,AIR
16	V202000710	12	BOLT,4
17	M040000730	1	FRONT DOOR,ASM
18	J485000280	2	HINGE
19	9131808020	4	SCREW TRUSS
20	C701000420	1	LOCK COVER
21	V542000120	1	SEAL
22	V264000220	4	FLANGE NUT
23	M471000190	1	COVER
24	V162000870	2	PLUG
25	J485000330	2	HINGE
26	9144704012	4	SCREW TAPPING
27	C701001110	1	PANEL
28	V420003070	1	STAND RUBBER
29	9138104020	1	SCREW TAPPING

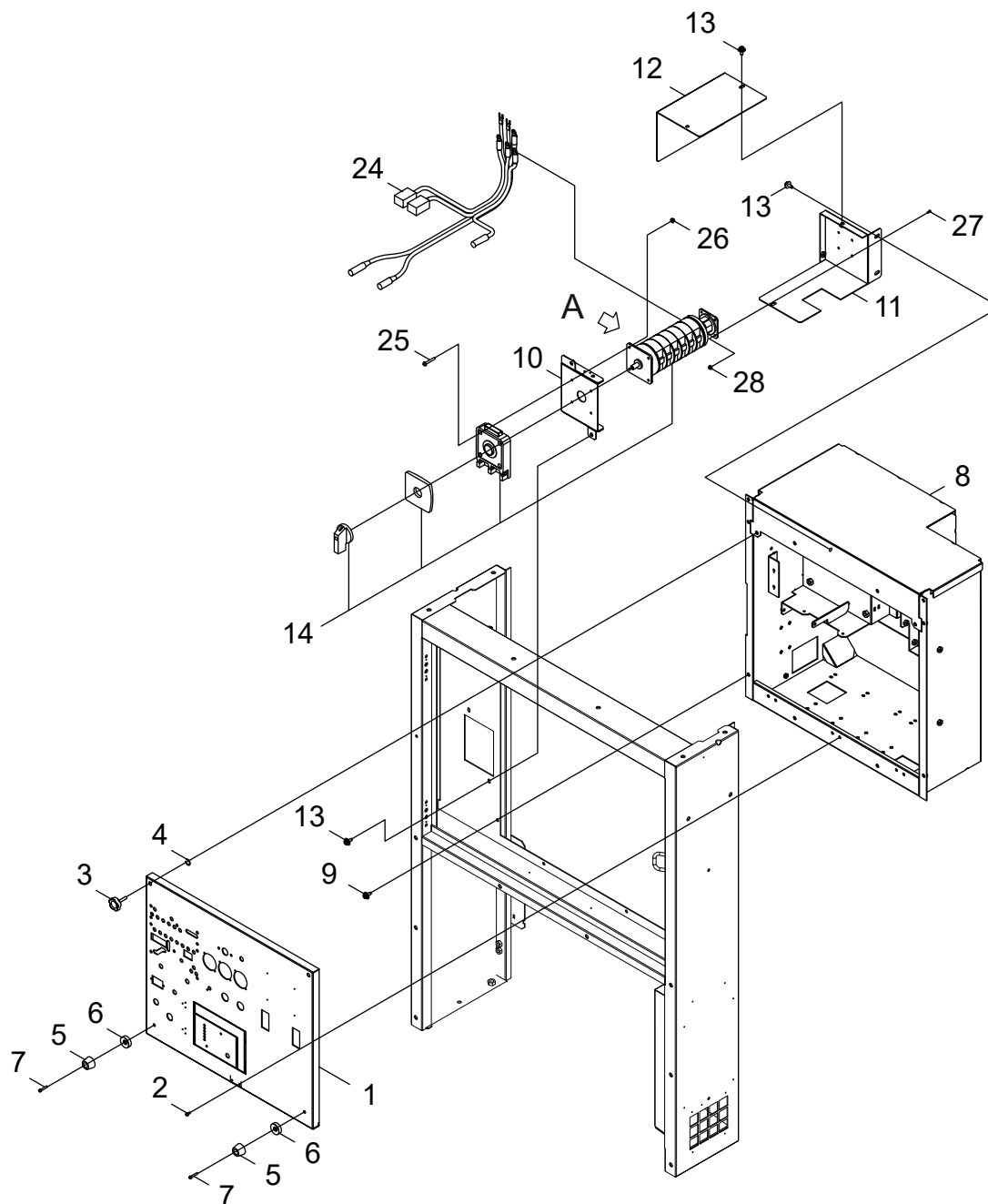
REAR ENCLOSURE



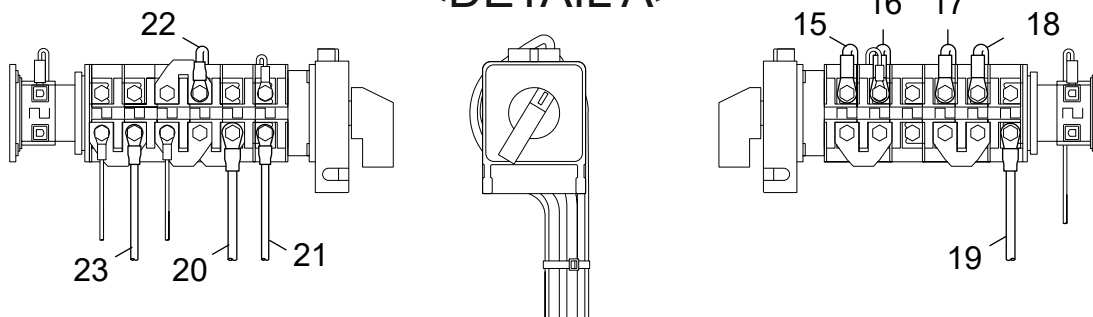
REAR ENCLOSURE

NO.	PART NUMBER	QTY.	DESCRIPTION
1	V206000720	6	BOLT,10
2	J495000590	1	BONNET
3	J495000600	1	BONNET
4	J485000250	2	HINGE
5	J485000260	2	HINGE
6	J485000310	2	HINGE
7	V205001260	8	BOLT,8
8	9144704012	4	SCREW TAPPING
9	V420003070	4	STAND RUBBER
10	V420003100	4	STAND RUBBER
11	9134104025	4	SCREW SW
12	J500001890	2	PANEL
13	V205001340	16	BOLT,8
14	M471000860	1	COVER
15	V162000870	2	PLUG
16	J485000750	2	HINGE
17	9144704012	4	SCREW TAPPING
18	C701001110	1	PANEL
19	V420003070	1	STAND RUBBER
20	9138104020	1	SCREW TAPPING
21	M415001210	1	PLATE,REAR
22	M415001220	1	PLATE,REAR
23	V205001340	21	BOLT,8
24	M418000191	1	PLATE,BAFFLE
25	M472000080	1	COVER
26	J500001900	1	PANEL
27	V205001340	23	BOLT,8
28	G201000781	1	BRACKET,RADIATOR
29	V205001170	10	BOLT,8

SWITCHES



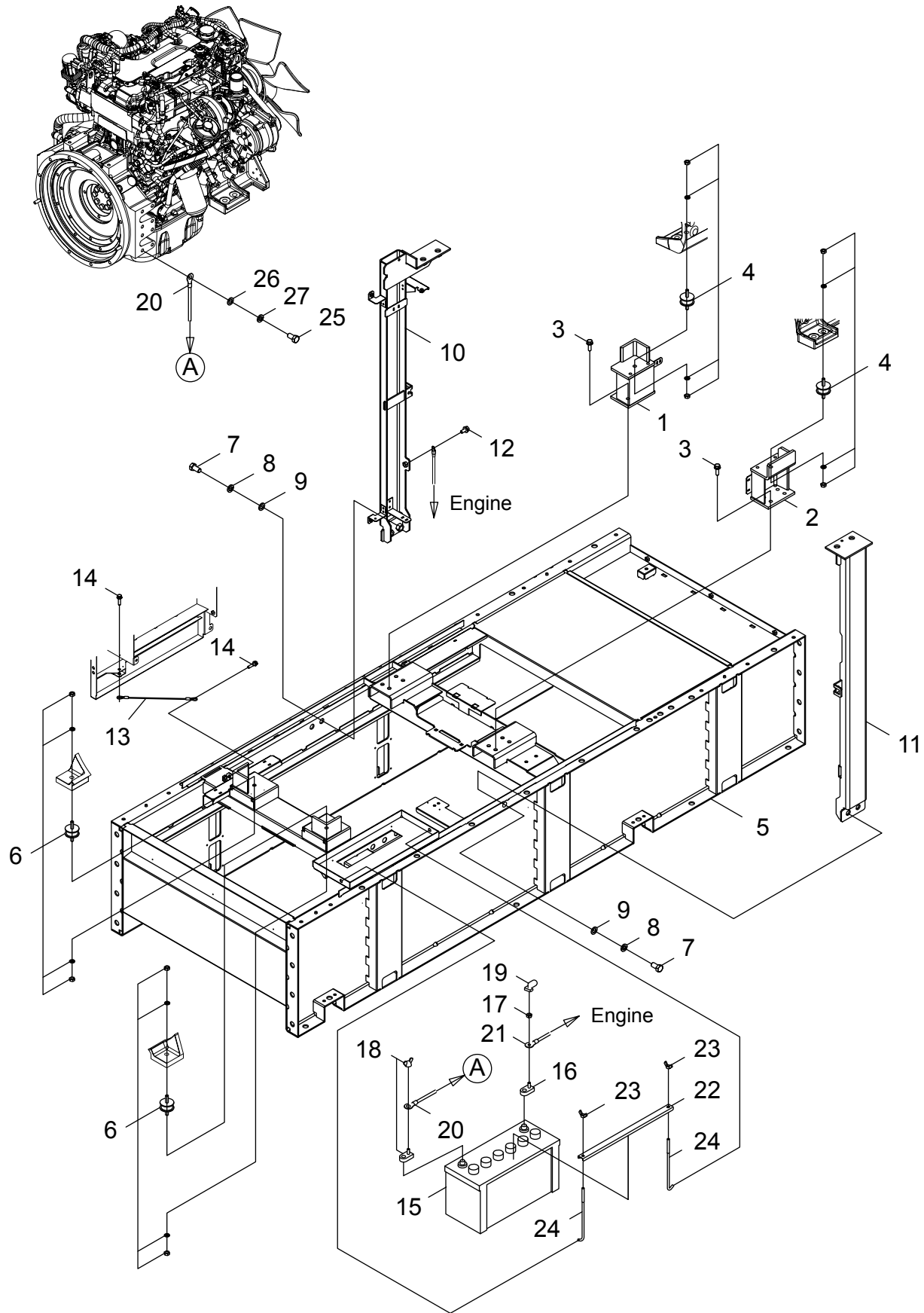
<DETAIL A>



SWITCHES

NO.	PART NUMBER	QTY.	DESCRIPTION
1	C160001891	1	PANEL,OPERATION
2	9156404010	6	SCREW SPW
3	M613000020	2	KNOB
4	V583000230	2	U RING
5	V420003510	2	STAND RUBBER
6	V420003100	2	STAND RUBBER
7	9156404030	2	SCREW SW
8	J430001561	1	BOX,CONTROL
9	V204001090	8	BOLT FT SW
10	A472000750	1	CASE,SWITCH
11	A472000761	1	CASE,SWITCH
12	A472000771	1	CASE,SWITCH
13	V204001090	8	BOLT FT SW
14	M115000350	1	SWITCH,CAM
15	M388000170	1	LEAD
16	M388000180	1	LEAD
17	M388000190	1	LEAD
18	M388000150	1	LEAD
19	M388000200	1	LEAD
20	M388000210	1	LEAD
21	M388000220	1	LEAD
22	M388000230	1	LEAD
23	M388000240	1	LEAD
24	G363000670	1	HARNESS,WIRE
25	9156305035	4	SCREW SW
26	V263000340	4	FLANGE NUT
27	9156404012	4	SCREW SW
28	V262000190	4	FLANGE NUT

BASE, FRAME

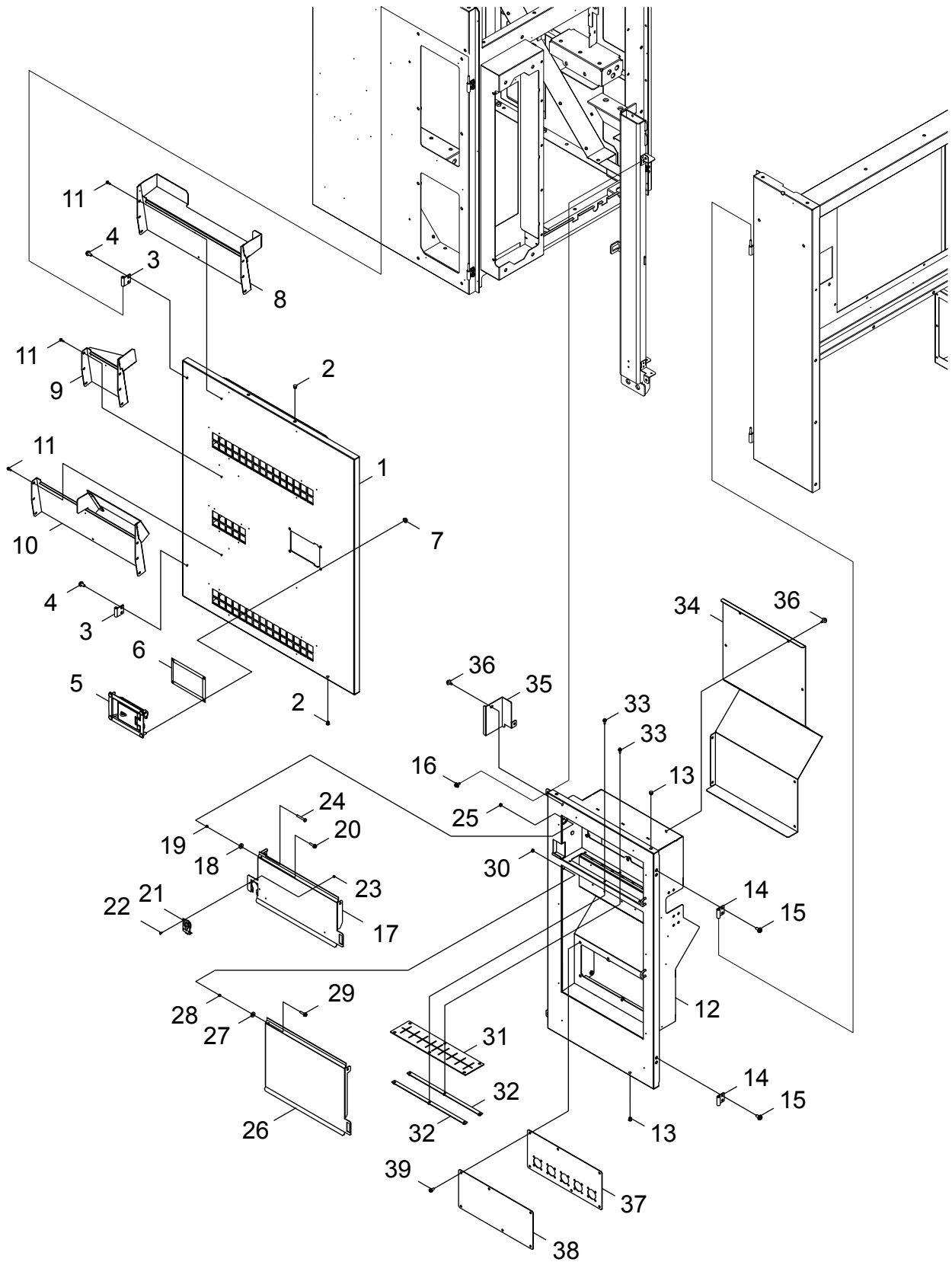


+ Denotes item is part of an assembly
 ++ Denotes item is part of a sub-assembly

BASE, FRAME

NO.	PART NUMBER	QTY.	DESCRIPTION
1	J465000750	1	STAND
2	J465000760	1	STAND
3	9102410030	8	BOLT SPW
4	V425000540	2	CUSHION
5	J404001221	1	FRAME
6	V425000540	2	CUSHION
7	90010416030	4	BOLT 16*30 SUS
8	9223516000	4	SPRING WASHER
9	9222216000	4	WASHER
10	J415001180	1	STAY,BONNET
11	J415001190	1	STAY,BONNET
12	V206000590	1	BOLT,10
13	C617000550	1	STOPPER
14	9102408035	2	BOLT
15	V481000500	1	BATTERY
16	V486000200	1	TERMINAL
17	V265000310	1	NUT
18	V486000210	1	TERMINAL
19	G305000040	1	TERMINAL CAP
20	M380001260	1	LEAD
21	M388000130	1	LEAD
22	G303000341	1	HOLDER,BATTERY
23	9219008000	2	WING NUT
24	V240000240	2	BOLT,HOOK
25	90010012025	1	BOLT 12*25
26	90060200012	1	WASHER
27	90060500012	1	SPRING WASHER

LEFT ENCLOSURE

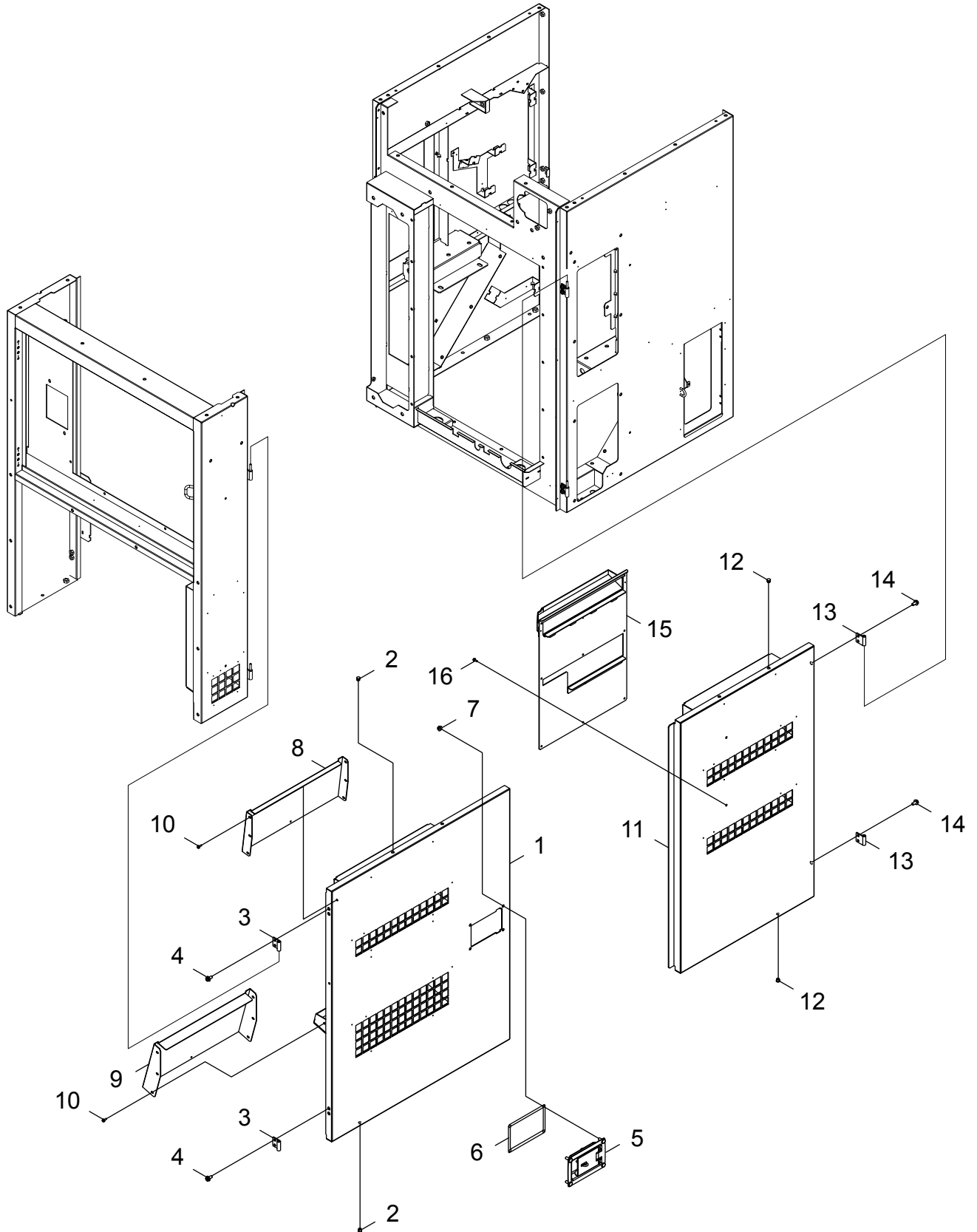


+ Denotes item is part of an assembly
 ++ Denotes item is part of a sub-assembly

LEFT ENCLOSURE

NO.	PART NUMBER	QTY.	DESCRIPTION
1	M404001460	1	DOOR,LEFT
2	V162000520	4	PLUG
3	J485000280	2	HINGE
4	V205001260	4	BOLT,8
5	C701000440	1	LOCK COVER
6	V541000350	1	SHEET
7	V265000290	4	FLANGE NUT
8	G128000781	1	DUCT,AIR
9	G128000791	1	DUCT,AIR
10	G128000801	1	DUCT,AIR
11	V202000710	20	BOLT,4
12	M409001330	1	DOOR,SIDE
13	V162000520	4	PLUG
14	J485000280	2	HINGE
15	V205001260	4	BOLT,8
16	V204001090	2	BOLT FT SW
17	M472000100	1	COVER
18	V420003160	2	BUSH RUBBER
19	V353000530	2	COLLAR
20	9103606025	2	BOLT SW
21	C390000050	1	LATCH
22	90027303012	4	SCREW
23	V261000010	4	FLANGE NUT
24	9100206040	1	BOLT
25	V264000220	2	FLANGE NUT
26	M471000220	1	COVER
27	V420003160	2	BUSH RUBBER
28	V353000530	2	COLLAR
29	9103606025	2	BOLT SW
30	V264000220	2	FLANGE NUT
31	J447001170	1	GUARD
32	C444000100	2	SUPPORT, GUARD
33	9103405016	6	BOLT
34	M472000110	1	COVER
35	M471000161	1	COVER
36	V204001090	10	BOLT FT SW
37	J500001140	1	PANEL
38	J500001150	1	PANEL
39	V204001610	6	BOLT,6

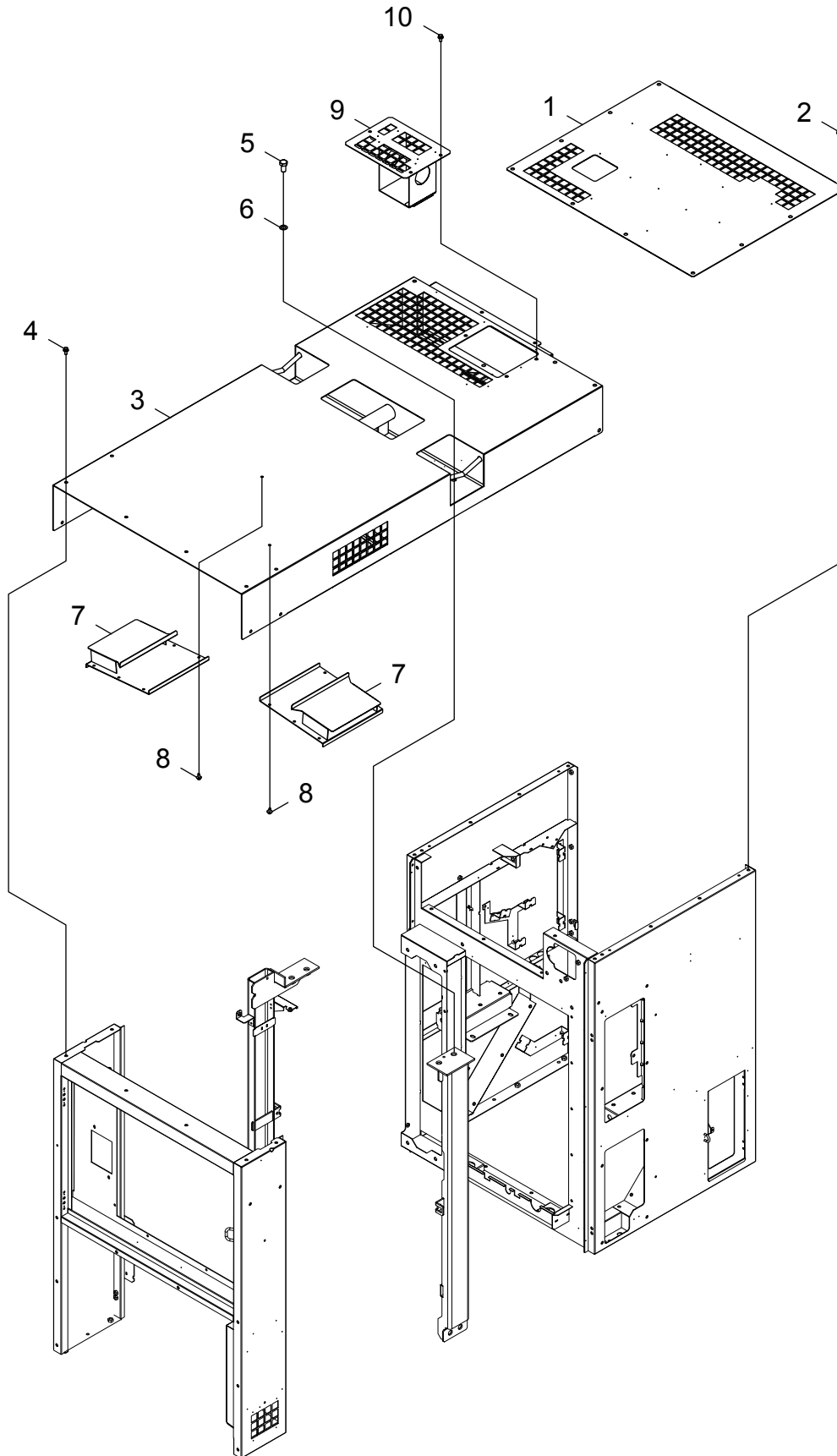
RIGHT ENCLOSURE



RIGHT ENCLOSURE

NO.	PART NUMBER	QTY.	DESCRIPTION
1	M407000420		DOOR,RIGHT
2	V162000520		PLUG
3	J485000280		HINGE
4	V205001260		BOLT,8
5	C701000440		LOCK COVER
6	V541000350		SHEET
7	V265000290		FLANGE NUT
8	G128000751		DUCT,AIR
9	G128000761		DUCT,AIR
10	V202000710		BOLT,4
11	M407000430		DOOR,RIGHT
12	V162000520		PLUG
13	J485000280		HINGE
14	V205001260		BOLT,8
15	G128000770		DUCT,AIR
16	V202000710		BOLT,4

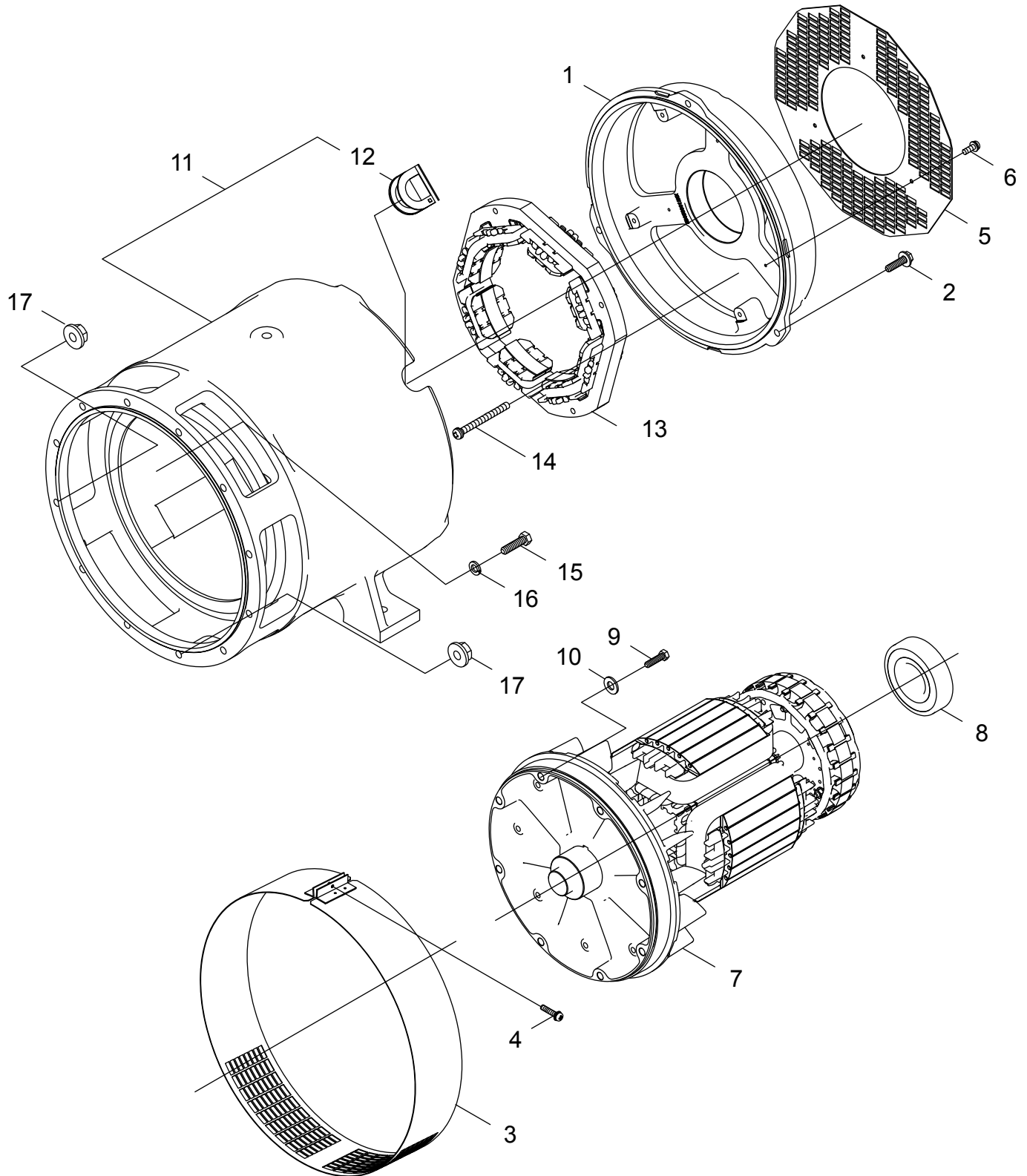
TOP ENCLOSURE



TOP ENCLOSURE

NO.	PART NUMBER	QTY.	DESCRIPTION
1	M472000090	1	COVER
2	V205001340	10	BOLT,8
3	J495000611	1	BONNET
4	V205001340	18	BOLT,8
5	90010416030	4	BOLT 16*30 SUS
6	V109000210	4	GASKET
7	G128000740	2	DUCT,AIR
8	V204001090	12	BOLT FT SW
9	J480001850	1	LID,COVER
10	V205001340	3	BOLT,8

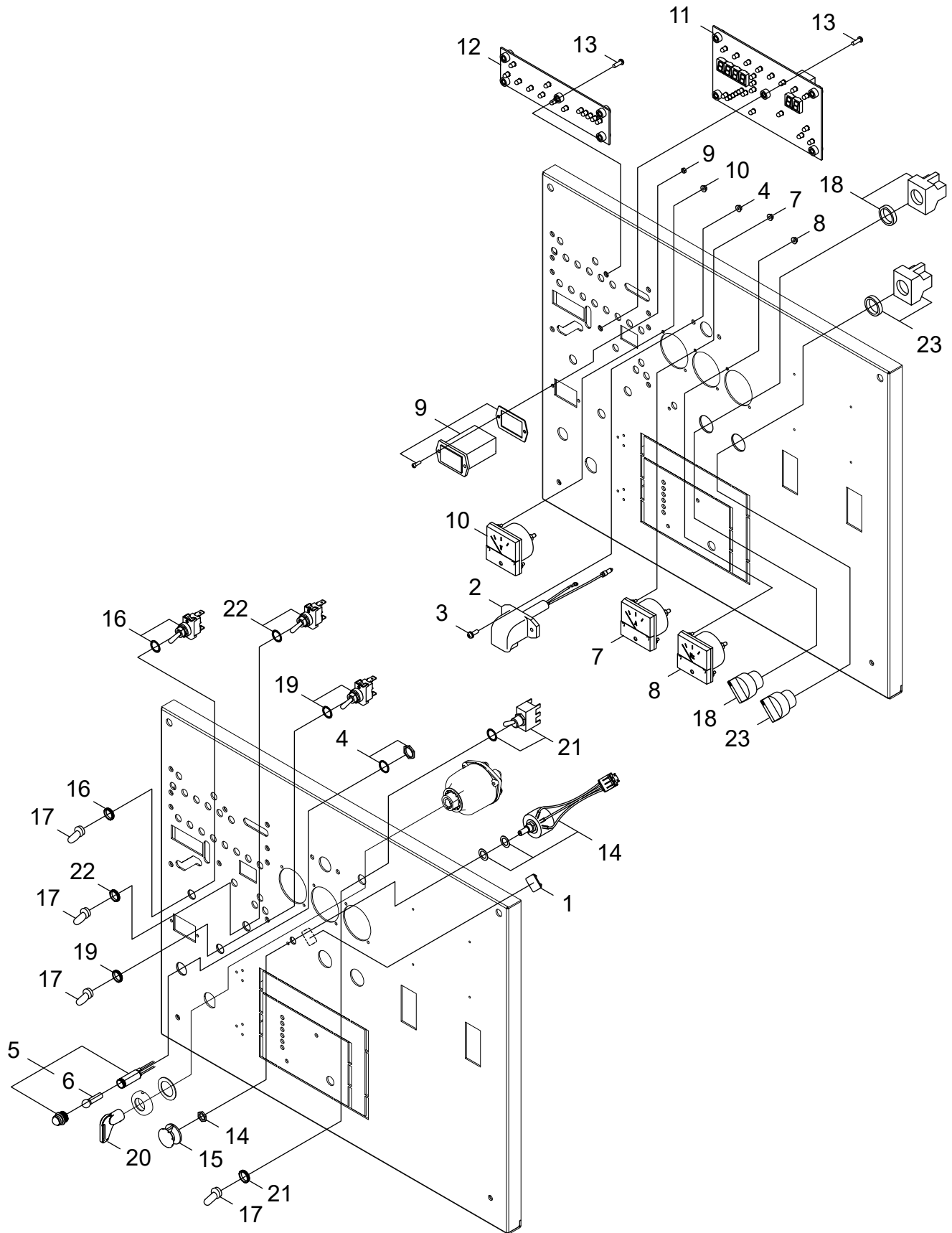
ALTERNATOR



ALTERNATOR

NO.	PART NUMBER	QTY.	DESCRIPTION
1	M305000610		HOUSING
2	9102210035		BOLT SW
3	A172003391		COVER,FAN
4	9103104030		BOLT SPW
5	M470000980		COVER
6	9103105012		BOLT SW
7	M102000820		ROTOR
8	V592000160		BALL BEARING
9	9102610060		BOLT
10	90060500010		WASHER,SPRING 10
11	A041000860		STATOR ASSEMBLY
12	V144000610		+GROMMET
13	A041000720		STATOR ASSEMBLY
14	9102408040		BOLT SW
15	9102610055		BOLT
16	90060500010		WASHER,SPRING 10
17	V266000110		NUT, FLANGE M10

MAIN CONTROL PANEL

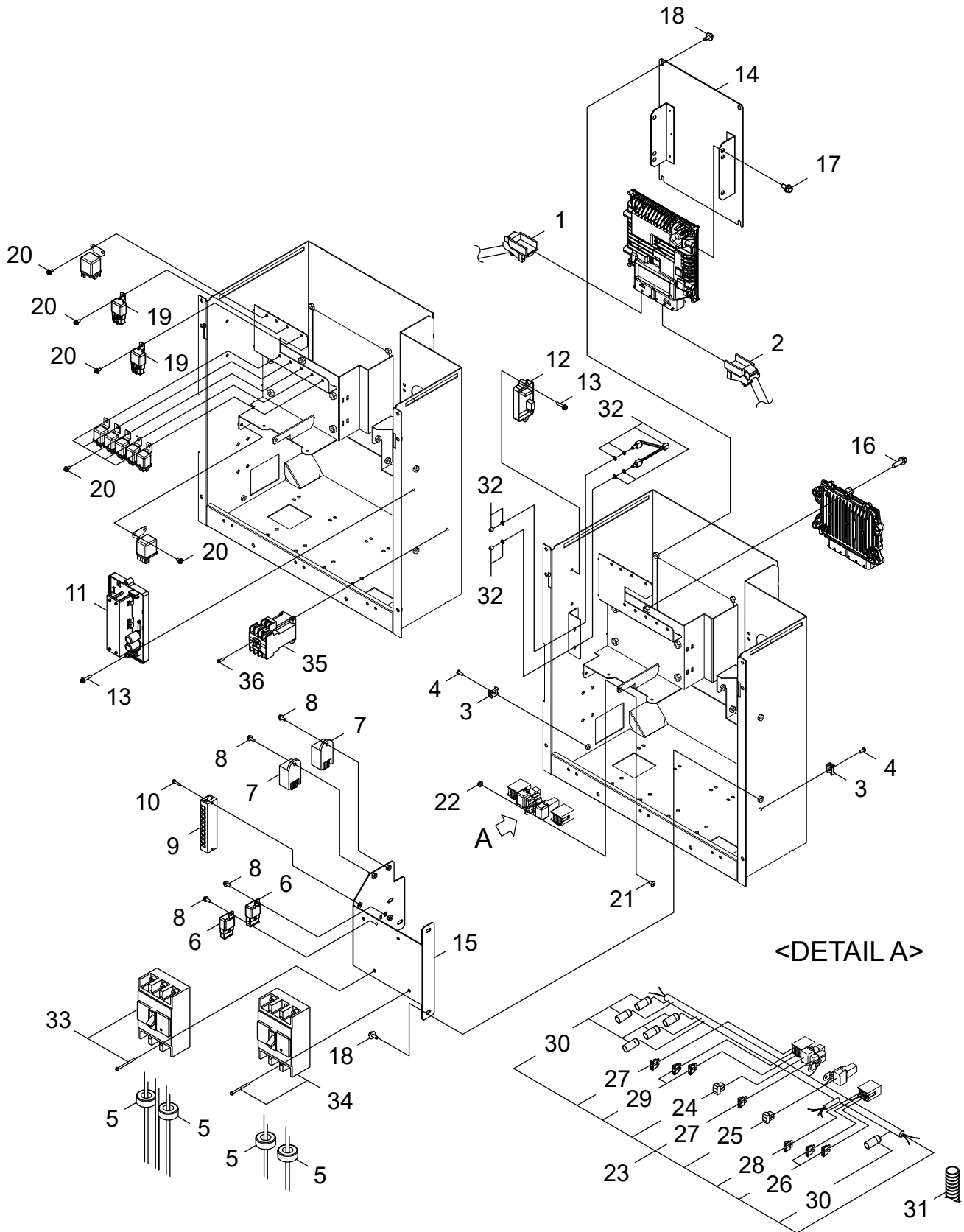


+ Denotes item is part of an assembly
 ++ Denotes item is part of a sub-assembly

MAIN CONTROL PANEL

NO.	PART NUMBER	QTY.	DESCRIPTION
1	M416000040	1	TIE MOUNT
2	G327000400	1	LAMP,PILOT
3	90023804016	2	SCREW 4×16
4	V262000190	2	FLANGE NUT
5	G327000520	1	LAMP,PILOT
6	G328000050	1	+LAMP
7	M109000450	1	METER
8	M109000410	1	METER
9	G319000060	1	HOUR METER
10	M109000140	1	METER (V)
11	G370002392	1	UNIT,CONTROL
12	G370002384	1	UNIT,CONTROL
13	9146104012	10	SCREW
14	M112000010	1	VOLUME COMP
15	E145000060	1	DIAL
16	A440001970	1	SWITCH,ON OFF
17	V494000910	4	CAP
18	G334001100	1	SWITCH
19	A045000770	1	SWITCH, ON OFF
20	I8944024980	1	KEY,BLANK
21	A045000761	1	SWITCH, ON OFF
22	A440001970	1	SWITCH,ON OFF
23	G334001100	1	SWITCH

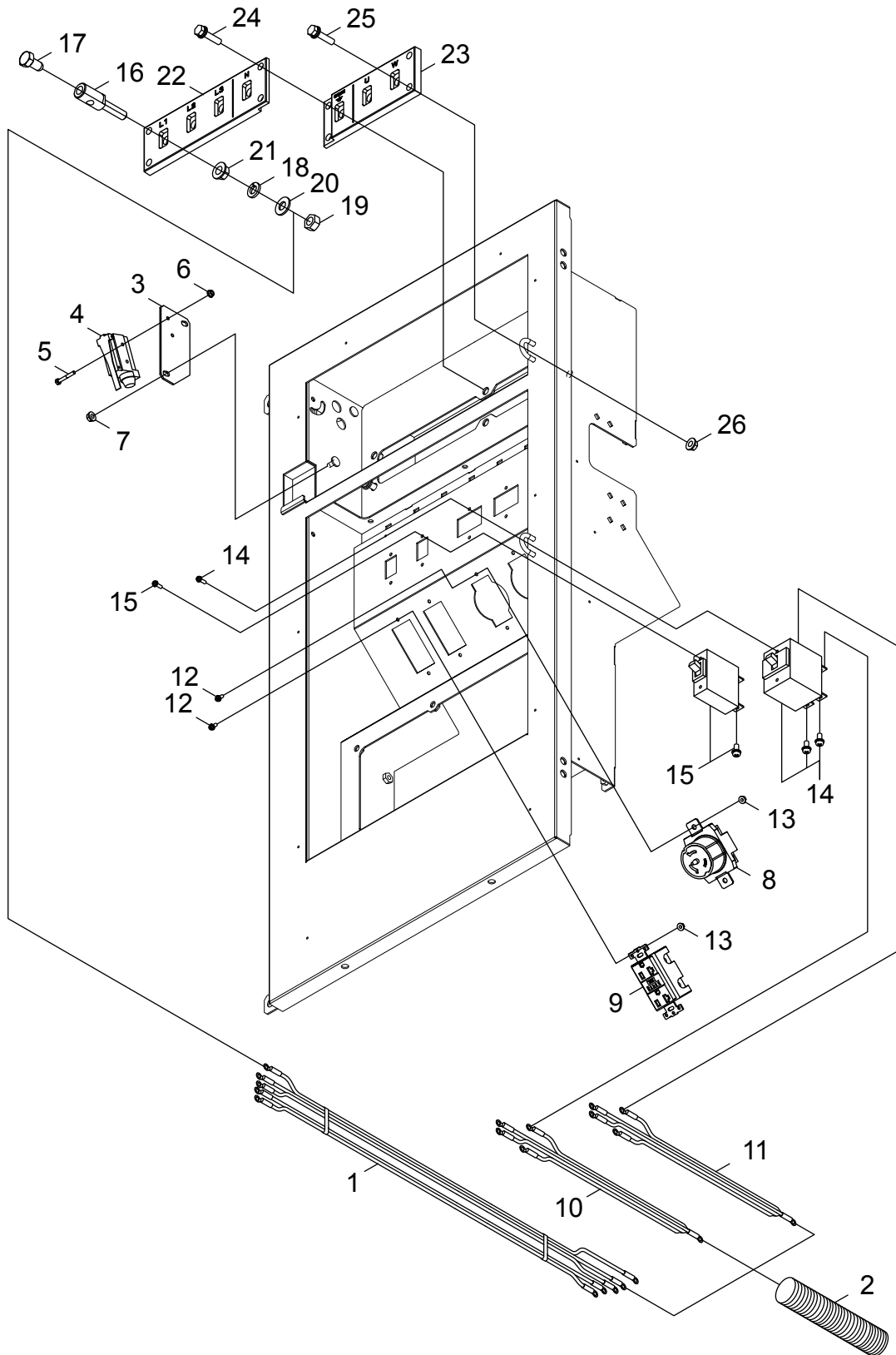
MAIN BREAKER AND CONTROL BOX



MAIN BREAKER AND CONTROL BOX

NO.	PART NUMBER	QTY.	DESCRIPTION
1	G362001310	1	HARNESS,WIRE
2	G362001320	1	HARNESS,WIRE
3	M416000010	2	TIE MOUNT
4	9134305012	2	SCREW
5	M108000190	4	CT,ASM
6	G343000490	2	RELAY
7	G370000471	2	UNIT,CONTROL
8	9103705014	4	BOLT
9	M308000590	1	BLOCK,TERMINAL
10	9156404016	2	SCREW SPW
11	G370001761	1	UNIT,CONTROL
12	G370002400	1	UNIT,CONTROL
13	9103605025	4	BOLT SW
14	C527001940	1	STAY
15	C527001930	1	STAY
16	90014708030	5	BOLT, 8*30
17	V205001170	4	BOLT,8
18	V204001090	8	BOLT FT SW
19	G343000490	2	RELAY
20	9156805012	11	SCREW SLPW
21	9146305012	1	SCREW TRUSS
22	V263000330	1	NUT, FLANGE M5
23	G363000581	1	HARNESS,WIRE
24	G350000250	1	+FUSE
25	G350000210	1	+FUSE
26	G350000230	2	+FUSE
27	G350000270	2	+FUSE
28	G350000220	1	+FUSE
29	G350000240	2	+FUSE
30	G347000020	6	+DIODE
31	V475005950	1	TUBE
32	G334002020	1	SWITCH
33	M111001070	1	BREAKER
34	M111001080	1	BREAKER
35	G334000890	1	MAGNET SWITCH
36	9156404016	2	SCREW SPW

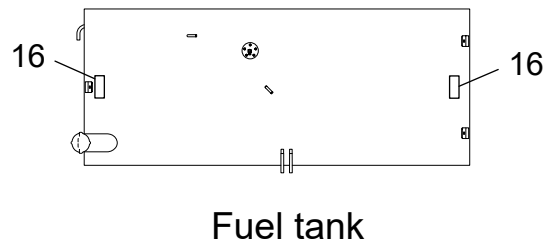
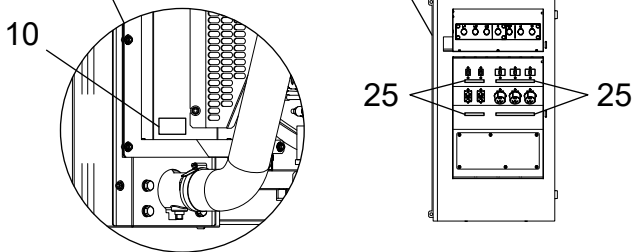
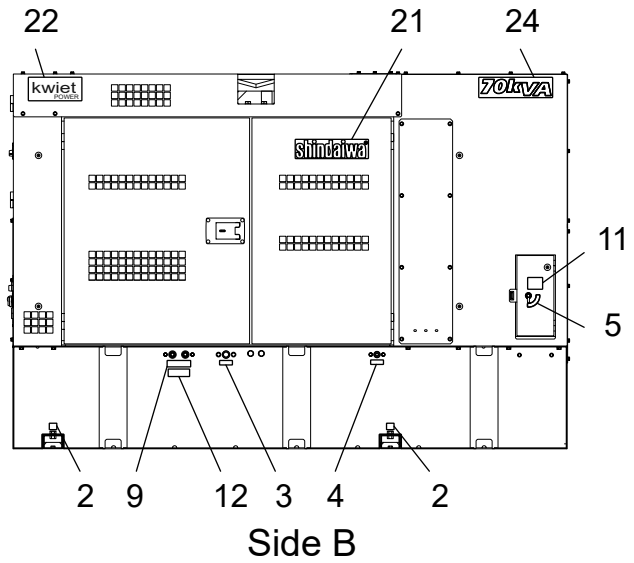
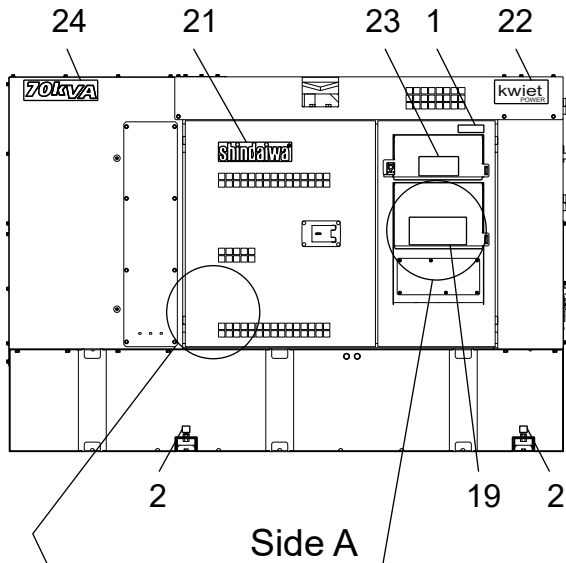
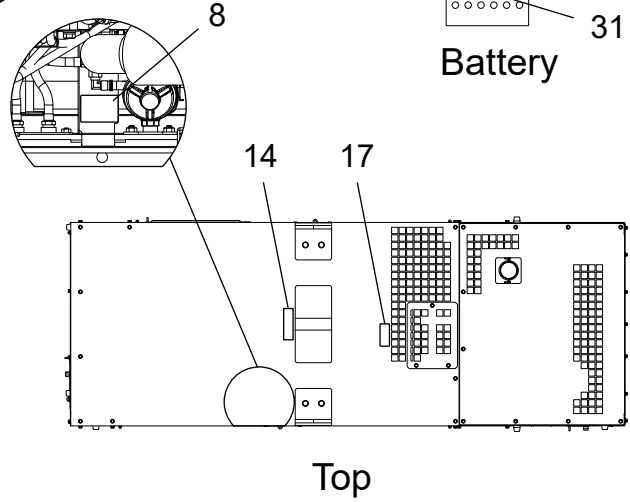
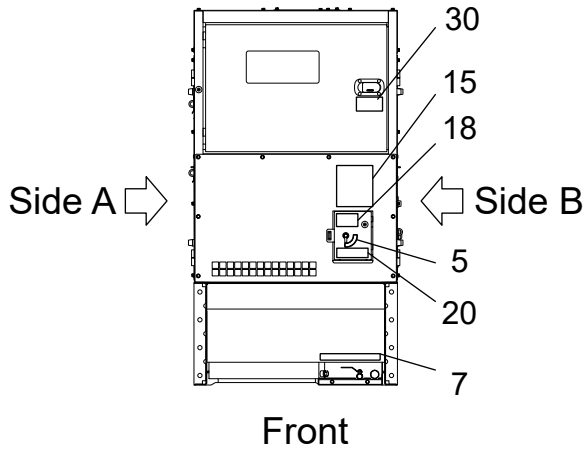
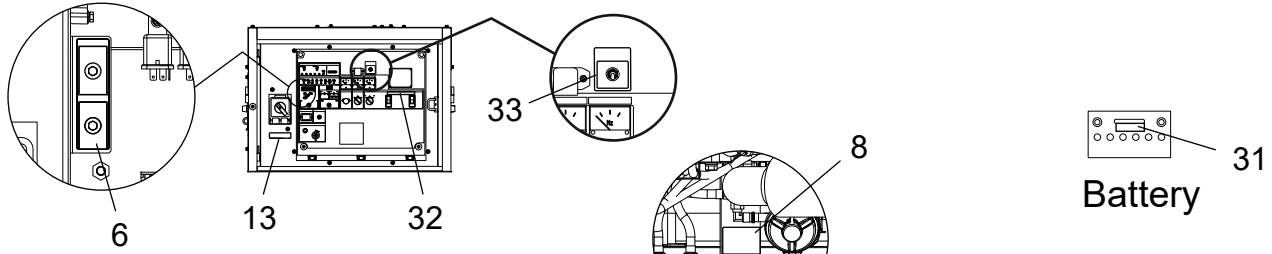
POWER OUTPUT TERMINALS



POWER OUTPUT TERMINALS

NO.	PART NUMBER	QTY.	DESCRIPTION
1	G363000610	1	HARNESS,WIRE
2	V476002070	1	TUBE
3	C528000181	1	STAY
4	G334000730	1	LIMIT SWITCH
5	9103104030	2	BOLT SPW
6	V262000190	2	FLANGE NUT
7	V264000220	2	FLANGE NUT
8	C154000170	3	PLUG SOCKET
9	C154000491	2	RECEPTACLE
10	M387000080	1	LEAD
11	M387000090	1	LEAD
12	9156404012	10	SCREW SW
13	V262000190	10	FLANGE NUT
14	C137000070	3	CIRCUIT PROTECTOR
15	C137000080	2	CIRCUIT PROTECTOR
16	V229000020	7	BOLT,STUD 16
17	V209000170	7	BOLT,16
18	90060500012	7	SPRING WASHER
19	9200512000	7	NUT
20	9222712000	7	WASHER
21	V268000060	7	FLANGE NUT
22	M307000410	1	PLATE,INST
23	M307000420	1	PLATE,INST
24	90014708030	5	BOLT, 8*30
25	9102408040	1	BOLT SW
26	V265000290	1	FLANGE NUT

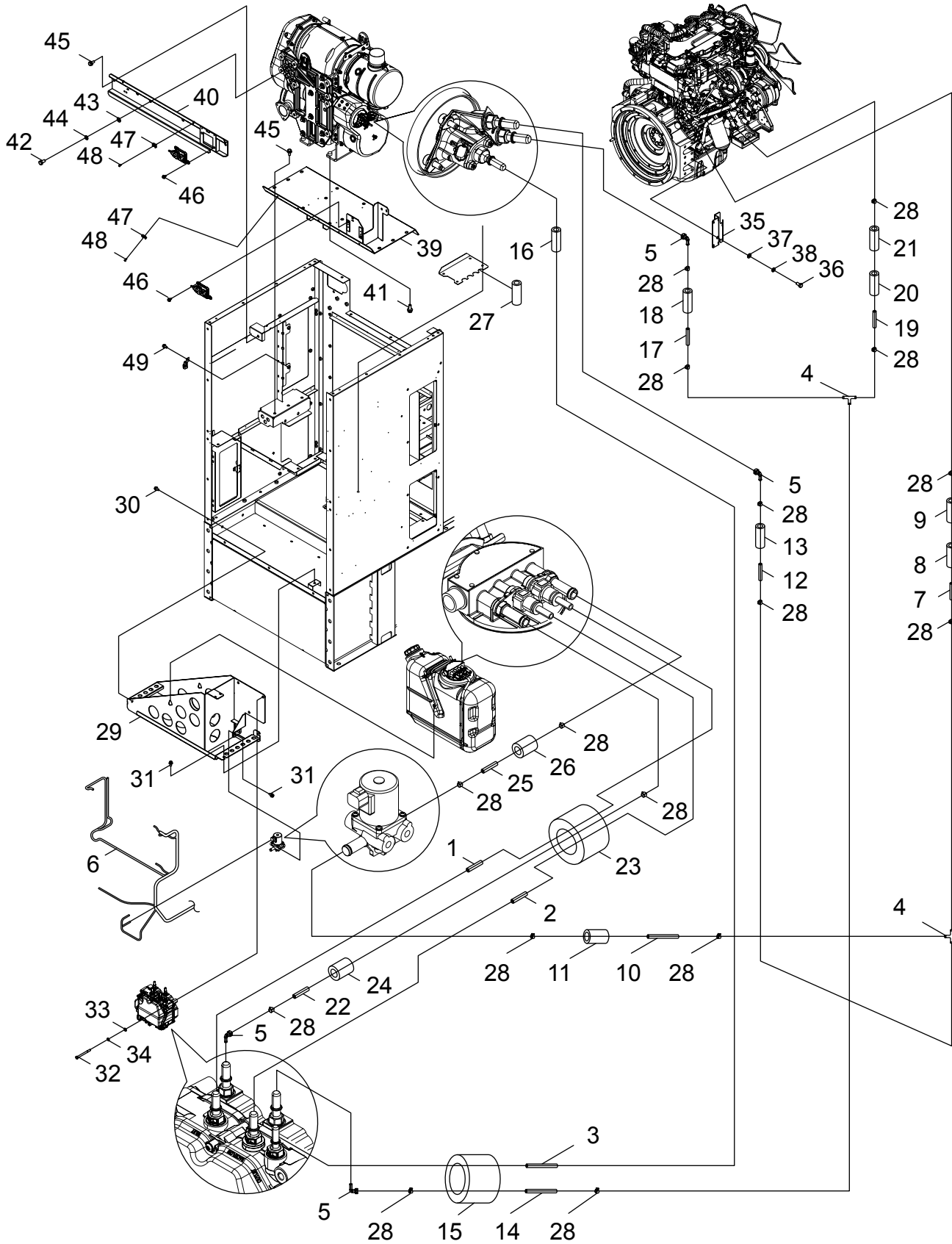
LABELS



LABELS

NO.	PART NUMBER	QTY.	DESCRIPTION
1	M704002250	1	LABEL,INST
2	M707000380	4	LABEL,INST
3	M707000790	1	LABEL,INST
4	M707000800	1	LABEL,INST
5	M707000830	2	LABEL,INST
6	M708000080	1	LABEL,INST
7	M707000930	1	LABEL,INST
8	M707000940	1	LABEL,INST
9	M707000410	1	LABEL,INST
10	M707000960	1	LABEL,INST
11	M708000070	1	LABEL,INST
12	M708000090	1	LABEL,INST
13	X505004620	1	LABEL,CAUTION
14	X505007550	1	LABEL,CAUTION
15	X505007571	1	LABEL,CAUTION
16	X505007820	2	LABEL,CAUTION
17	X505007840	1	LABEL,CAUTION
18	X505008400	1	LABEL,CAUTION
19	X505010170	1	LABEL,CAUTION
20	X505007650	1	LABEL,CAUTION
21	X504006320	2	LABEL,BRAND
22	M705001070	2	LABEL,FEATURE
23	M705001360	1	LABEL,FEATURE
24	X524006980	2	LABEL
25	X524004350	1	LABEL
30	X505010400	1	LABEL,CAUTION
31	X505010410	1	LABEL,CAUTION
32	M709000060	1	LABEL,INST
33	M709000240	1	LABEL,INST

SELECTIVE CATALYTIC REDUCTION (SCR) PIPING

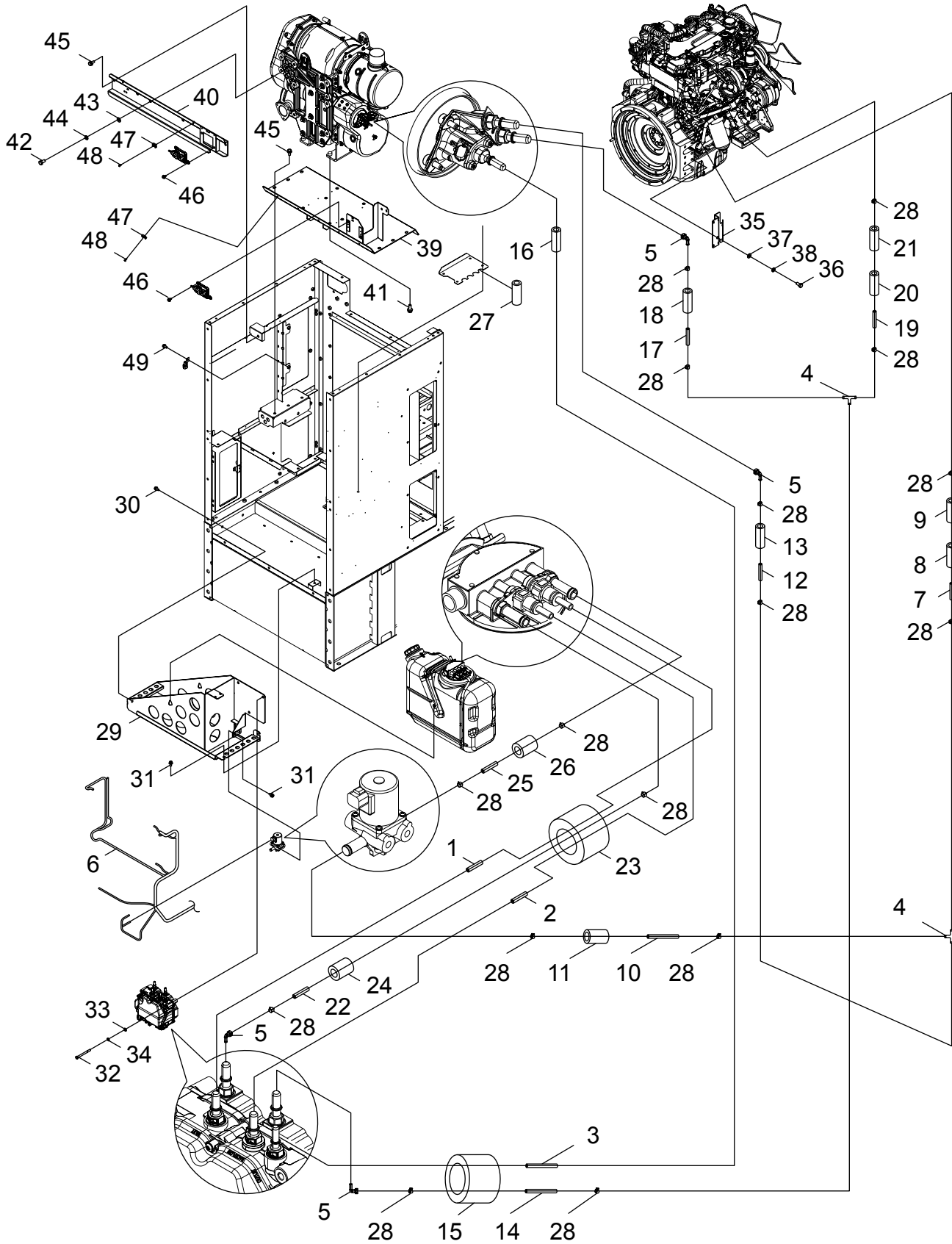


+ Denotes item is part of an assembly
 ++ Denotes item is part of a sub-assembly

SELECTIVE CATALYTIC REDUCTION (SCR) PIPING

NO.	PART NUMBER	QTY.	DESCRIPTION
1	K400003480	1	HOSE
2	K400003490	1	HOSE
3	K400003500	1	HOSE
4	M601000400	2	JOINT
5	C152001050	4	CONNECTOR
6	G362001330	1	HARNESS,WIRE
7	V465001070	1	HOSE
8	V476001980	1	TUBE
9	V476001960	1	TUBE
10	V465001090	1	HOSE
11	V476001990	1	TUBE
12	V465001100	1	HOSE
13	V476002000	1	TUBE
14	V465001110	1	HOSE
15	V476002010	1	TUBE
16	V476002050	1	TUBE
17	V465001120	1	HOSE
18	V476002020	1	TUBE
19	V465001080	1	HOSE
20	V476001980	1	TUBE
21	V476001970	1	TUBE
22	V465001130	1	HOSE
23	V476002030	1	TUBE
24	V476002020	1	TUBE
25	V465001140	1	HOSE
26	V476002040	1	TUBE
27	V476002060	1	TUBE
28	V495003600	16	BAND
29	C527001870	1	STAY
30	V205001340	2	BOLT,8
31	V205001170	4	BOLT,8
32	9100008095	3	BOLT
33	90060200008	3	WASHER 8
34	90060500008	3	WASHER,SPRING 8
35	C527001881	1	STAY
36	90010012025	2	BOLT 12*25
37	90060200012	2	WASHER
38	90060500012	2	SPRING WASHER
39	C527001901	1	STAY
40	C527001910	1	STAY
41	9102412035	6	BOLT
42	90010412025	3	BOLT 12*25 SUS
43	90062000012	3	WASHER, 12
44	90060900012	3	WASHER, SPRING 12SUS
45	V206000720	8	BOLT,10
46	V204001720	4	BOLT,6

SELECTIVE CATALYTIC REDUCTION (SCR) PIPING

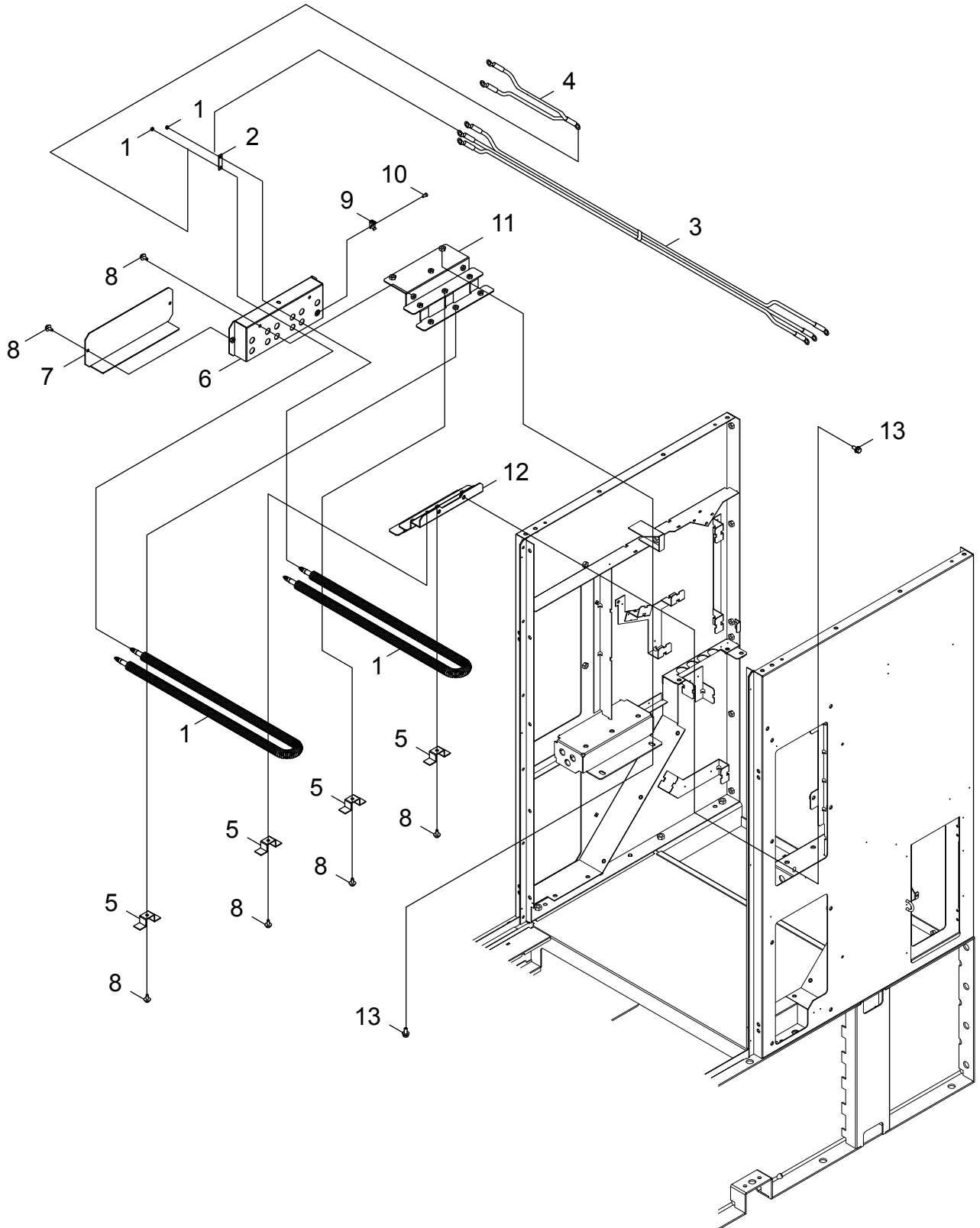


+ Denotes item is part of an assembly
 ++ Denotes item is part of a sub-assembly

SELECTIVE CATALYTIC REDUCTION (SCR) PIPING

NO.	PART NUMBER	QTY.	DESCRIPTION	
47	M416000080	7	STOPPER,BAND	
48	9134305012	7	SCREW	
49	V205001340	2	BOLT,8	

HEATER



+ Denotes item is part of an assembly
++ Denotes item is part of a sub-assembly

HEATER

NO.	PART NUMBER	QTY.	DESCRIPTION
1	M110000650	6	RESISTER
2	V150002700	6	BUS BAR
3	G363000620	1	HARNESS,WIRE
4	M388000161	1	LEAD
5	V150003230	12	PLATE,EYE
6	M472000170	1	COVER
7	J500001910	1	PANEL
8	V204001720	17	BOLT,6
9	M416000080	1	STOPPER,BAND
10	9134305012	1	SCREW
11	C527001951	1	STAY
12	C527001961	1	STAY
13	V205001340	4	BOLT,8