

## DGK45F Generator

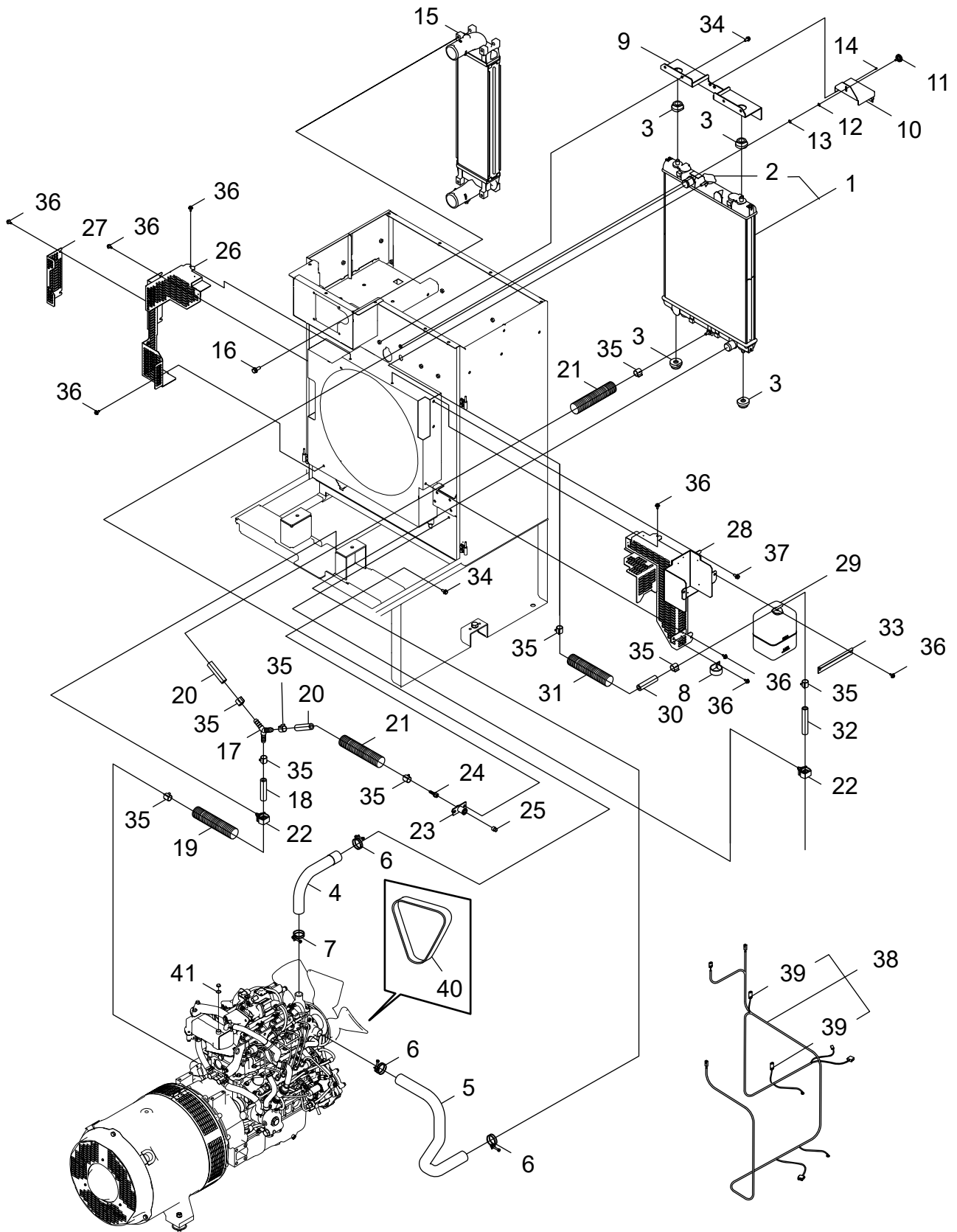


### SERIAL NUMBERS

D15601000001 - D15601999999

<b>RADIATOR ASSEMBLY</b> .....	2	<b>AIR AND MUFFLER ASSEMBLY</b> .....	18
<b>RADIATOR ASSEMBLY</b> .....	3	<b>AIR AND MUFFLER ASSEMBLY</b> .....	19
<b>RIGHT ENCLOSURE</b> .....	4	<b>FUEL TANK, OIL CONTAINMENT</b> .....	20
<b>RIGHT ENCLOSURE</b> .....	5	<b>FUEL TANK, OIL CONTAINMENT</b> .....	21
<b>TOP ENCLOSURE</b> .....	6	<b>FUEL LINES</b> .....	22
<b>TOP ENCLOSURE</b> .....	7	<b>FUEL LINES</b> .....	23
<b>ALTERNATOR</b> .....	8	<b>OIL LINES</b> .....	24
<b>ALTERNATOR</b> .....	9	<b>OIL LINES</b> .....	25
<b>MAIN CONTROL PANEL</b> .....	10	<b>ENCLOSURE FRAME</b> .....	26
<b>MAIN CONTROL PANEL</b> .....	11	<b>ENCLOSURE FRAME</b> .....	27
<b>MAIN BREAKER AND CONTROL BOX</b> .....	12	<b>FRONT ENCLOSURE</b> .....	28
<b>MAIN BREAKER AND CONTROL BOX</b> .....	13	<b>FRONT ENCLOSURE</b> .....	29
<b>POWER OUTPUT TERMINALS</b> .....	14	<b>BASE, FRAME</b> .....	30
<b>POWER OUTPUT TERMINALS</b> .....	15	<b>BASE, FRAME</b> .....	31
<b>LABELS</b> .....	16	<b>LEFT ENCLOSURE</b> .....	32
<b>LABELS</b> .....	17	<b>LEFT ENCLOSURE</b> .....	33

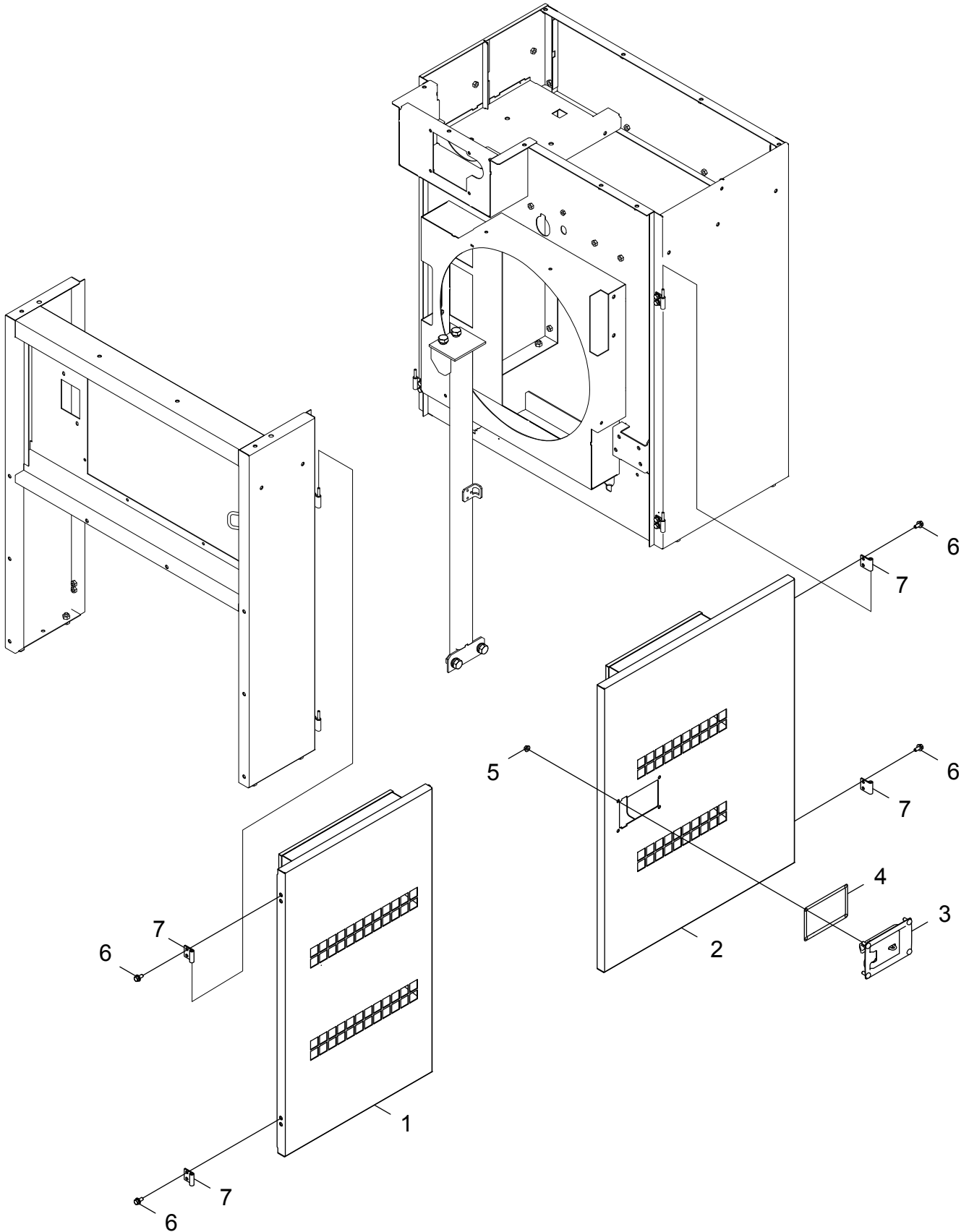
RADIATOR ASSEMBLY



## RADIATOR ASSEMBLY

NO.	PART NUMBER	QTY.	DESCRIPTION
<b>1</b>	<b>G200000290</b>	<b>1</b>	<b>RADIATOR</b>
2	M608000060	1	+CAP,RADIATOR
3	V420005100	4	CUSHION
4	G203000550	1	HOSE,RADIATOR
5	G203000560	1	HOSE,RADIATOR
6	V495001980	3	HOSE CLAMP
7	V495003280	1	BAND
8	V490000820	1	CORD CLAMP
9	C527001250	1	STAY
10	M471000120	1	COVER
11	V299000480	1	KNOB COMP
12	V583000230	1	U RING
13	V324000020	1	WASHER
14	9156604012	4	SCREW SPW
15	J197000030	1	INTERCOOLER
16	9102410030	4	BOLT SPW
17	M601000170	1	JOINT
18	K400001490	1	HOSE
19	V475005600	1	TUBE
20	K400001390	2	HOSE
21	V475005540	2	TUBE
22	V490000790	2	CLAMP
23	C153000100	1	SOCKET
24	K432000050	1	NIPPLE
25	E328000130	1	DRAIN PLUG
26	A172003070	1	COVER,FAN
27	A172003080	1	COVER,FAN
28	A172003061	1	COVER,FAN
29	G125000230	1	TANK,RESERVE
30	K400001460	1	TUBE
31	V475006280	1	TUBE
32	K400001400	1	HOSE
33	C519004560	1	STAY
34	V205001340	6	BOLT,8
35	V495001670	9	HOSE CLAMP
36	V204001090	11	BOLT FT SW
37	V205001170	2	BOLT,8
<b>38</b>	<b>G031004980</b>	<b>1</b>	<b>HARNESS,WIRE</b>
39	G347000020	2	+DIODE
40	I8980953350	1	BELT,COOLING FAN
41	I9095714100	1	PACKING

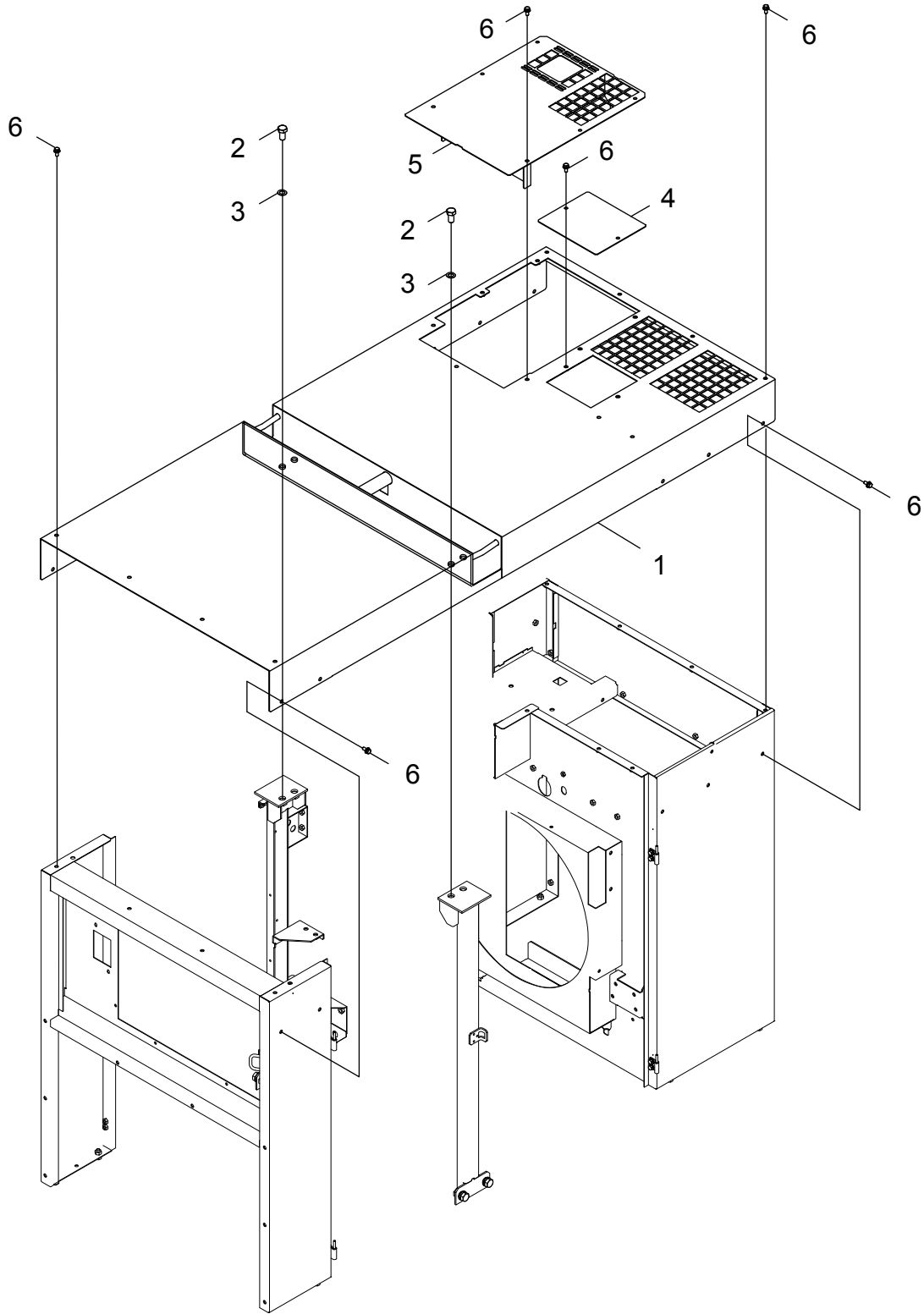
**RIGHT ENCLOSURE**



**RIGHT ENCLOSURE**

NO.	PART NUMBER	QTY.	DESCRIPTION	
1	M407000270	1	DOOR,RIGHT	
2	M407000280	1	DOOR,RIGHT	
3	C701000440	1	LOCK COVER	
4	V541000350	1	SHEET	
5	V265000290	4	FLANGE NUT	
6	V205001260	8	BOLT,8	
7	J485000280	4	HINGE	

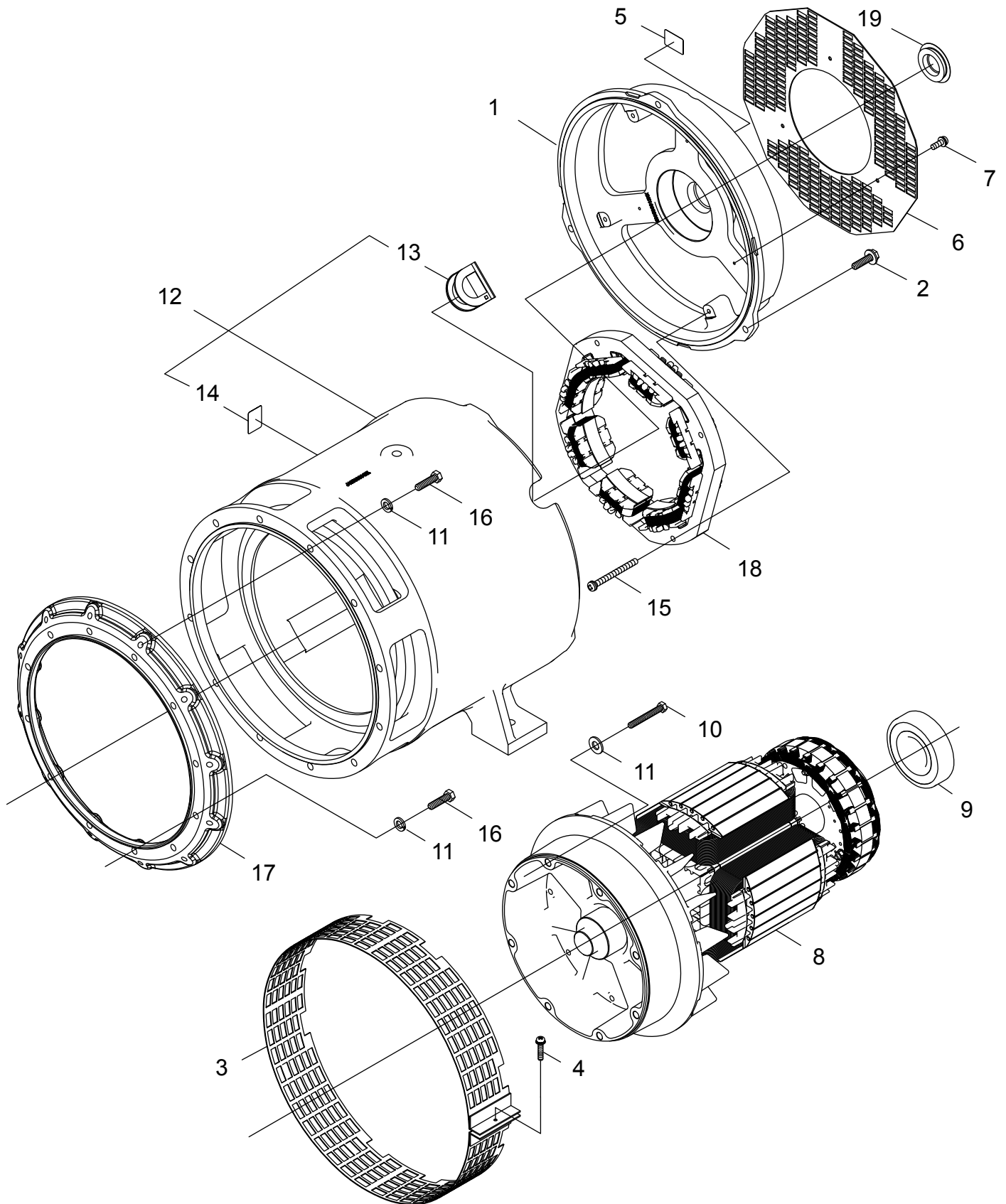
TOP ENCLOSURE



## TOP ENCLOSURE

NO.	PART NUMBER	QTY.	DESCRIPTION	
1	J495000251	1	BONNET	
2	90010416030	4	BOLT 16*30 SUS	
3	V109000210	4	GASKET	
4	J480001590	1	LID,COVER	
5	M471000201	1	COVER	
6	V205001340	29	BOLT,8	

ALTERNATOR

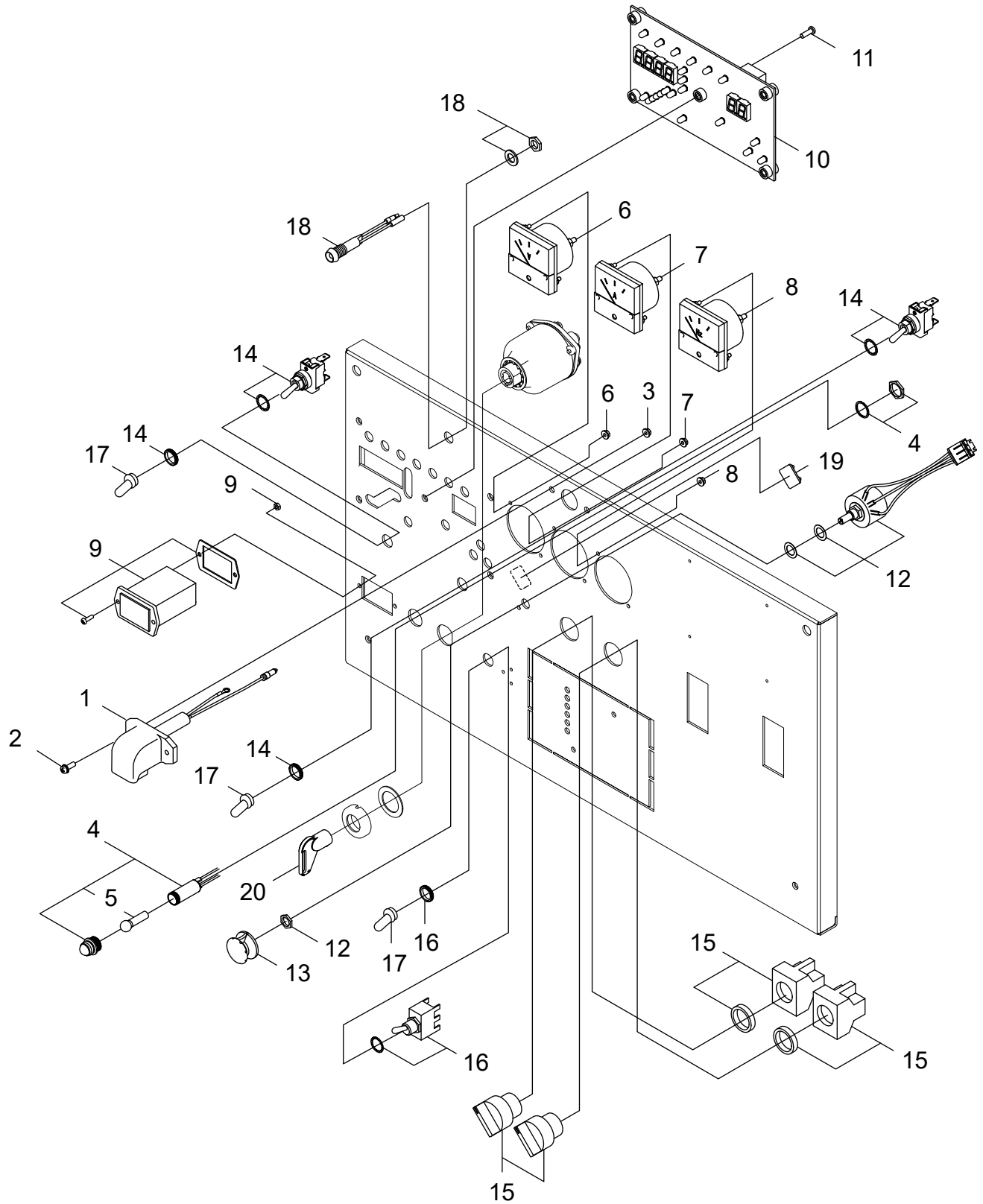




## ALTERNATOR

NO.	PART NUMBER	QTY.	DESCRIPTION	
1	M305000611	1	HOUSING	01000126 - , SET #19 GROMMET
2	9102210035	3	BOLT SW	
3	A172002160	1	COVER,FAN	
4	9103104030	1	BOLT SPW	
5	M703000020	1	LABEL THERMOMETER	
6	M470000980	1	COVER	
7	9103105012	3	BOLT SW	
8	M102000790	1	ROTOR	
9	V592000160	1	BALL BEARING	
10	V206000660	8	BOLT,10	
11	90060500010	32	WASHER,SPRING 10	
12	<b>A041000651</b>	<b>1</b>	<b>STATOR ASSEMBLY</b>	
13	V144000610	2	+GROMMET	
14	M703000020	1	+LABEL THERMOMETER	
15	9102408040	4	BOLT SW	
16	9102610030	24	BOLT	
17	V376002280	1	SPACER	
18	A041000661	1	STATOR ASSEMBLY	
19	V145000810	1	GROMMET,CIRCULAR	

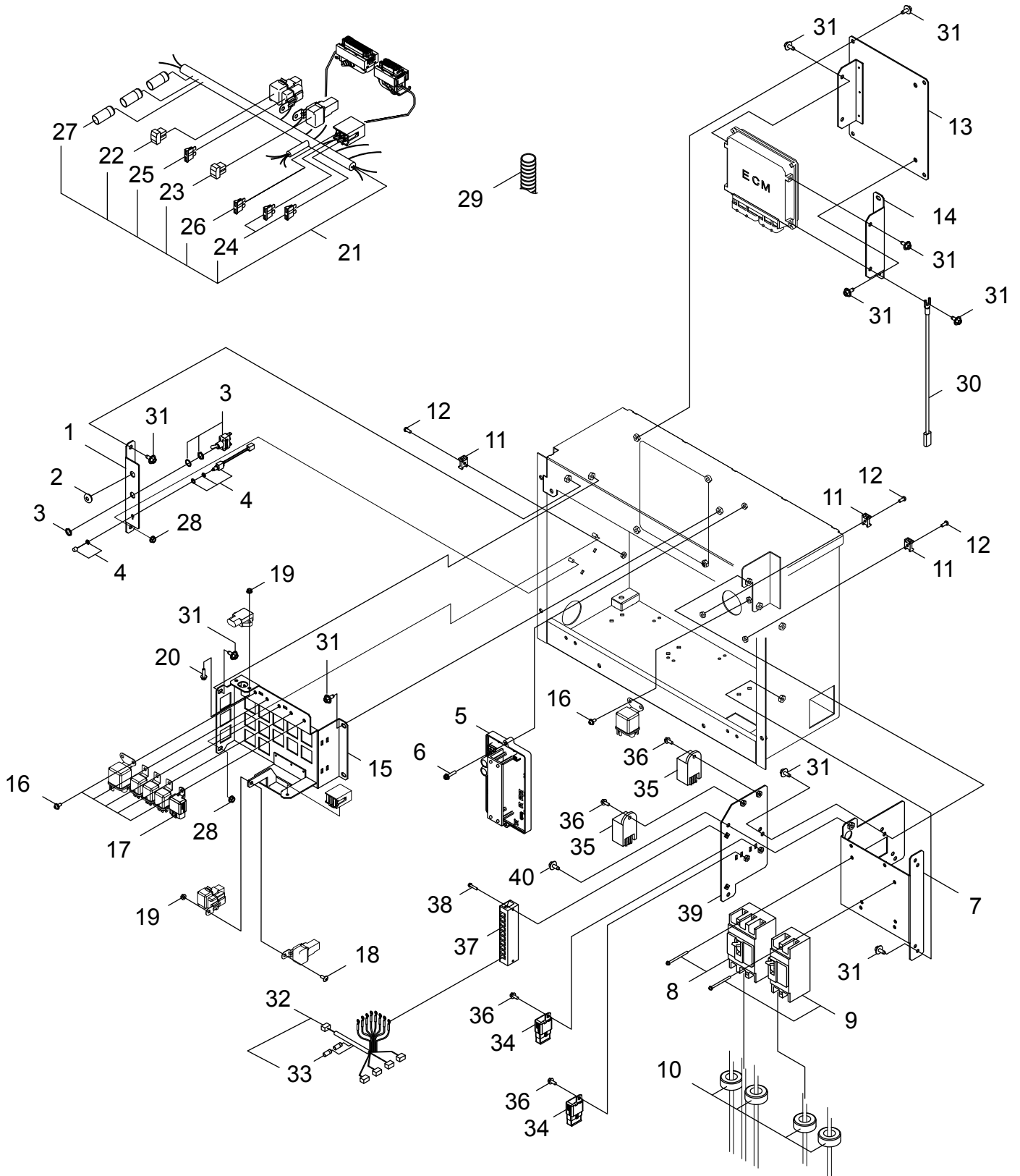
## MAIN CONTROL PANEL



## MAIN CONTROL PANEL

NO.	PART NUMBER	QTY.	DESCRIPTION
1	G327000400	1	LAMP,PILOT
2	90023804016	2	SCREW 4x16
3	V262000190	2	FLANGE NUT
4	<b>G327000520</b>	<b>1</b>	<b>LAMP,PILOT</b>
5	G328000050	1	+LAMP
6	M109000140	1	METER (V)
7	M109000440	1	METER
8	M109000410	1	METER
9	G319000060	1	HOUR METER
10	G370002021	1	UNIT,CONTROL
11	9146104012	5	SCREW
12	M112000010	1	VOLUME COMP
13	E145000060	1	DIAL
14	A440001970	2	SWITCH,ON OFF
15	G334001100	2	SWITCH
16	A045000760	1	SWITCH, ON OFF
17	V494000910	3	CAP
18	G327000700	1	LAMP,PILOT
19	M416000040	1	TIE MOUNT
20	I8944024980	1	KEY,BLANK

MAIN BREAKER AND CONTROL BOX



## MAIN BREAKER AND CONTROL BOX

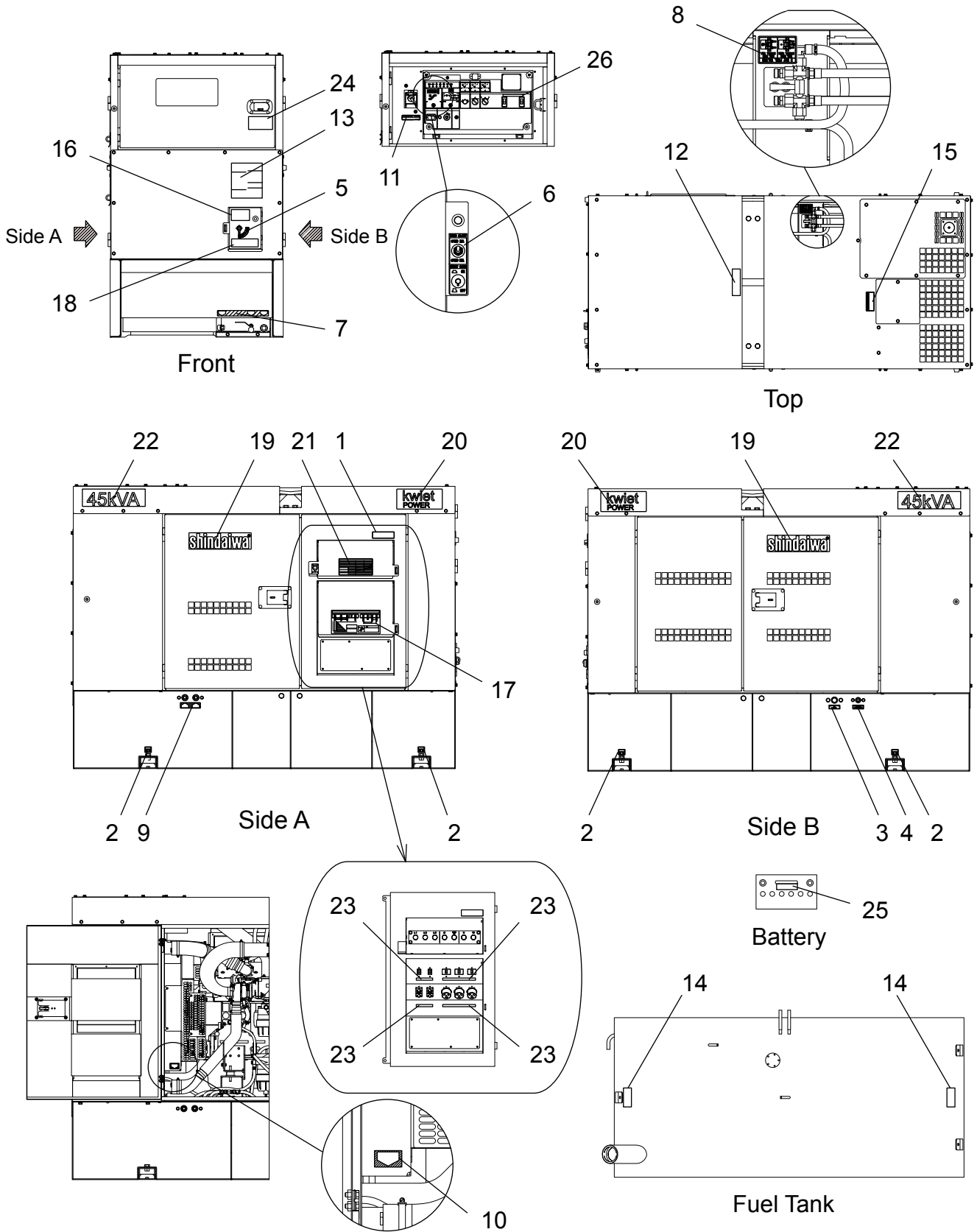
NO.	PART NUMBER	QTY.	DESCRIPTION
1	C527001330	1	STAY
2	V144000460	1	GROMMET
3	G334001740	1	SWITCH
4	G334001750	1	SWITCH
5	G370001761	1	UNIT,CONTROL
6	9103605025	2	BOLT SW
7	C527001370	1	STAY
8	M111001030	1	BREAKER
9	M111001040	1	BREAKER
10	M108000190	4	CT,ASM
11	M416000010	3	TIE MOUNT
12	9134305012	3	SCREW
13	C527001301	1	STAY
14	C527001310	1	STAY
15	C527001290	1	STAY
16	9156805012	8	SCREW SLPW
17	G343000490	1	RELAY
18	9146305012	1	SCREW TRUSS
19	V263000330	3	NUT, FLANGE M5
20	9103605020	2	BOLT SW
<b>21</b>	<b>G031004970</b>	<b>1</b>	<b>HARNESS,WIRE</b>
22	G350000250	1	+FUUSE
23	G350000210	1	+FUUSE
24	G350000230	2	+FUUSE
25	G350000270	1	+FUUSE
26	G350000220	1	+FUUSE
27	G347000020	3	+DIODE
28	V264000220	2	FLANGE NUT
29	V475005950	1	TUBE
30	M384000610	1	LEAD
31	V204001090	18	BOLT FT SW
<b>32</b>	<b>G031005310</b>	<b>1</b>	<b>HARNESS,WIRE</b>
33	G347000020	2	+DIODE
34	G343000490	2	RELAY
35	G370000470	2	PRINT CIRCUIT
36	9103705014	4	BOLT
37	M308000590	1	BLOCK,TERMINAL
38	9156404016	2	SCREW SPW
39	C527001560	1	STAY
40	V204001090	2	BOLT FT SW



## POWER OUTPUT TERMINALS

NO.	PART NUMBER	QTY.	DESCRIPTION	
1	G031005000	1	HARNES,WIRE	
2	V475008780	1	TUBE	
3	M387000080	1	LEAD	
4	M387000090	1	LEAD	
5	C528000181	1	STAY	
6	G334000730	1	LIMIT SWITCH	
7	9103104030	2	BOLT SPW	
8	V262000190	12	FLANGE NUT	
9	V264000220	2	FLANGE NUT	
10	M307000380	1	PLATE,INST	01000001-01000041
11	90014708030	3	BOLT, 8*30	01000001-01000041
11	90014708030	5	BOLT, 8*30	01000042-
12	9102408040	1	BOLT SW	
13	V265000290	1	FLANGE NUT	
14	V229000020	7	BOLT,STUD 16	
15	V209000170	7	BOLT,16	
16	90060500012	7	SPRING WASHER	
17	V268000060	7	FLANGE NUT	
18	9222712000	7	WASHER	
19	9200512000	7	NUT	
20	C137000070	3	CIRCUIT PROTECTOR	
21	C137000080	2	CIRCUIT PROTECTOR	
22	C154000170	3	PLUG SOCKET	
23	C154000491	2	RECEPTACLE	
24	9156404012	10	SCREW SW	
25	M307000410	1	PLATE,INST	01000042-
26	M307000420	1	PLATE,INST	01000042-

LABELS

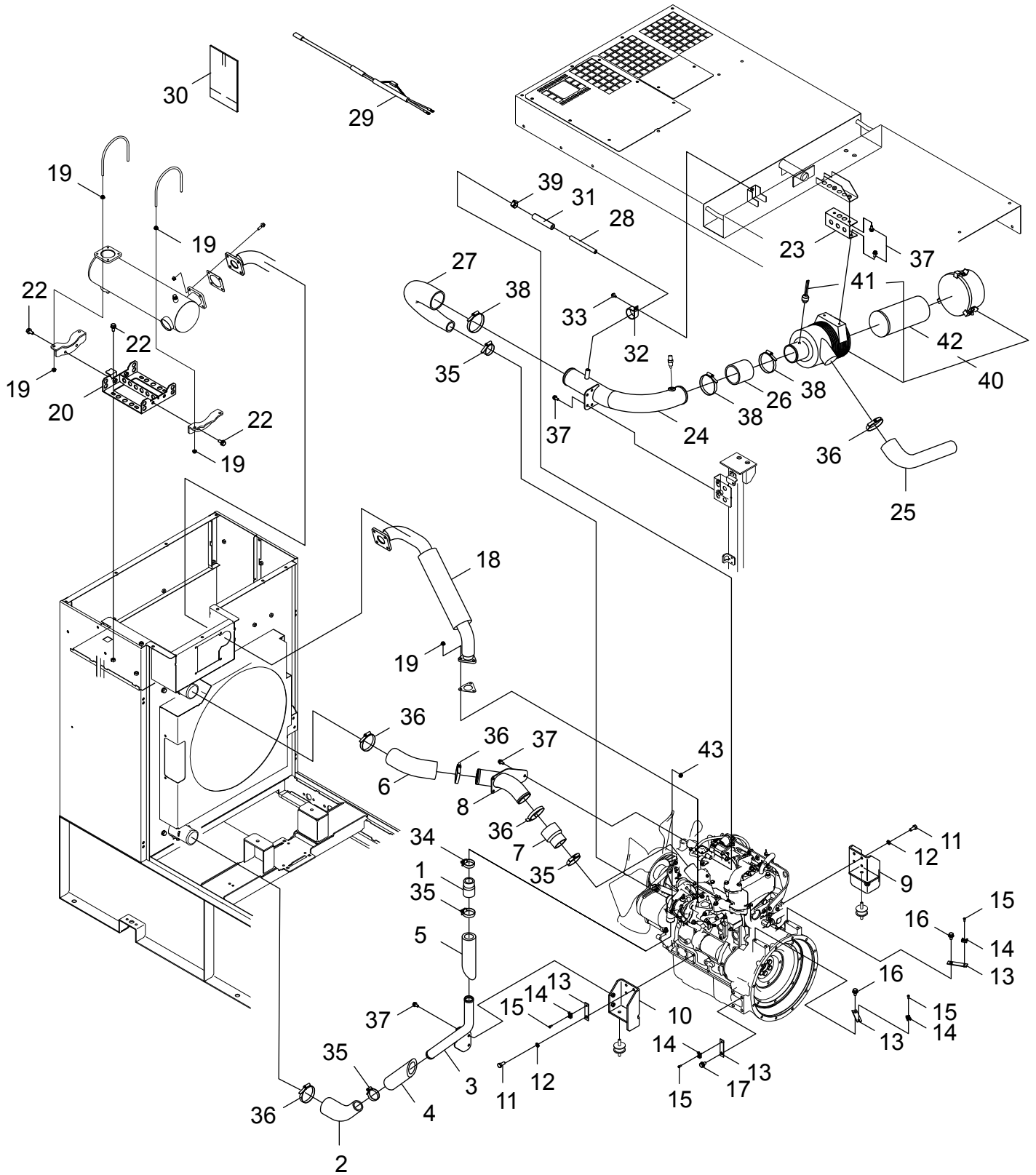




## LABELS

NO.	PART NUMBER	QTY.	DESCRIPTION
1	M704002250	1	LABEL,INST
2	M707000380	4	LABEL,INST
3	M707000790	1	LABEL,INST
4	M707000800	1	LABEL,INST
5	M707000830	1	LABEL,INST
6	M707001000	1	LABEL,INST
7	M707000930	1	LABEL,INST
8	M707000940	1	LABEL,INST
9	M707000950	1	LABEL,INST
10	M707000960	1	LABEL,INST
11	X505004620	1	LABEL,CAUTION
12	X505007550	1	LABEL,CAUTION
13	X505007571	1	LABEL,CAUTION
14	X505007820	2	LABEL,CAUTION
15	X505007840	1	LABEL,CAUTION
16	X505008400	1	LABEL,CAUTION
17	X505008620	1	LABEL,CAUTION
18	X505007650	1	LABEL,CAUTION
19	X504006320	2	LABEL,BRAND
20	M705001070	2	LABEL,FEATURE
21	M705001050	1	LABEL,FEATURE
22	X524005840	2	LABEL
23	X524004350	1	LABEL
24	X505010400	1	LABEL,CAUTION
25	X505010410	1	LABEL,CAUTION
26	M709000060	1	LABEL,INST

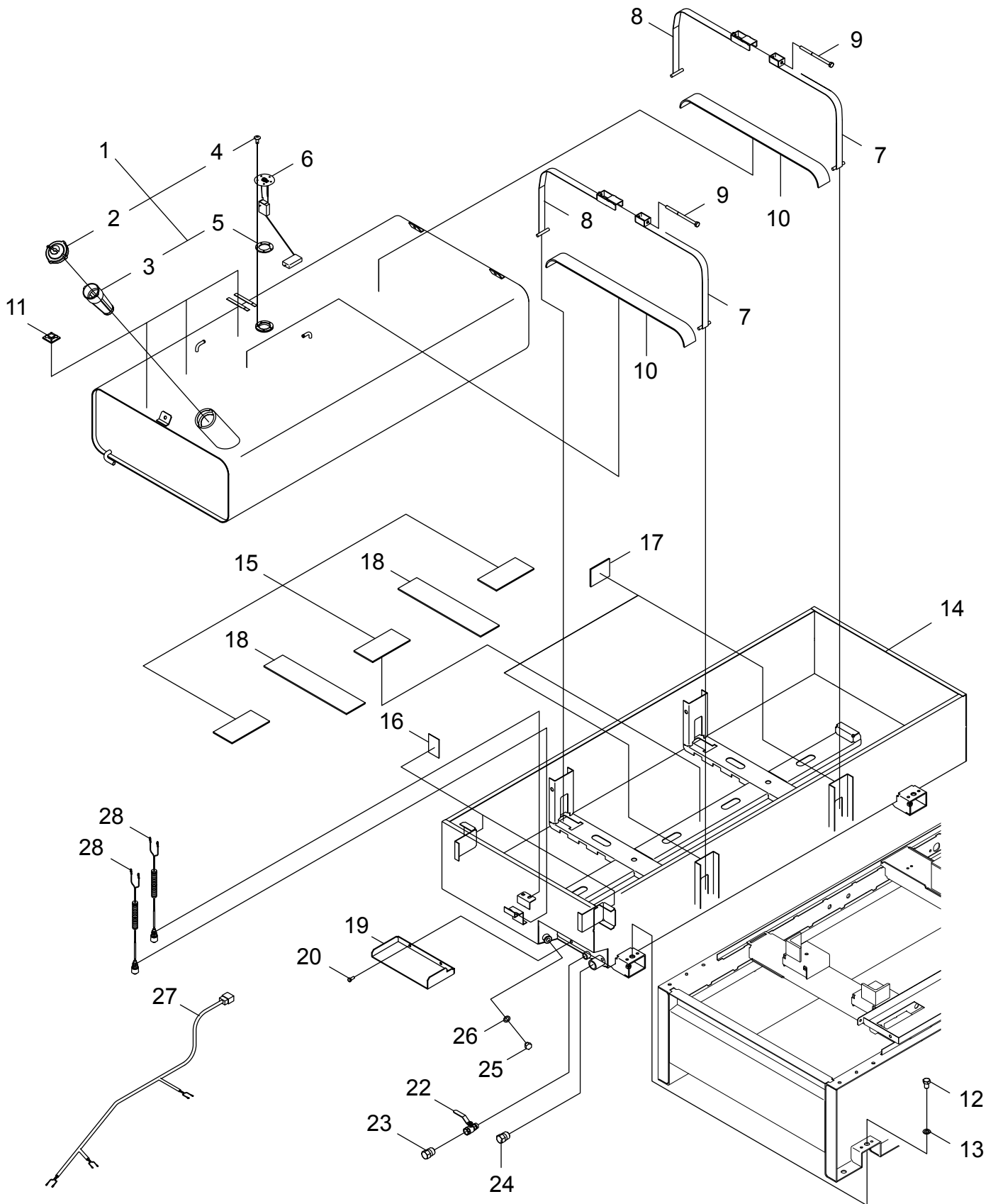
**AIR AND MUFFLER ASSEMBLY**



## AIR AND MUFFLER ASSEMBLY

NO.	PART NUMBER	QTY.	DESCRIPTION
1	G213000570	1	HOSE,AIR
2	G213000580	1	HOSE,AIR
3	V186000670	1	JOINT,PIPE
4	V477000020	1	TUBE
5	V477000030	1	TUBE
6	G213000500	1	HOSE,AIR
7	G213000590	1	HOSE,AIR
8	V186000680	1	JOINT,PIPE
9	G121000610	1	STAY,ENGINE
10	G121000620	1	STAY,ENGINE
11	9102710025	8	BOLT
12	90060500010	8	WASHER,SPRING 10
13	C519002460	4	STAY
14	M416000010	4	TIE MOUNT
15	9134305012	4	SCREW
16	90014710020	2	BOLT
17	9102412025	1	BOLT
18	G231001080	1	PIPE,EXHAUST
19	V265000290	11	FLANGE NUT
20	C527001260	1	STAY
22	V206000720	8	BOLT,10
23	C527001280	1	STAY
24	V186000690	1	JOINT,PIPE
25	G213000600	1	HOSE,AIR
26	G213000610	1	HOSE,AIR
27	G213000620	1	HOSE,AIR
28	K403000530	1	HOSE,13
29	C526000220	1	HEATER
30	C417000090	1	INSULATOR, HEATER
31	V477000010	1	TUBE
32	V490000820	1	CORD CLAMP
33	V204001090	1	BOLT FT SW
34	V495003040	1	BAND
35	V495001700	4	HOSE CLAMP
36	V495003130	5	BAND
37	V205001170	10	BOLT,8
38	V495003140	3	BAND
39	V495001710	1	HOSE CLAMP
<b>40</b>	<b>A027000170</b>	<b>1</b>	<b>CLEANER,ASM AIR</b>
41	M609000010	1	+INDICATOR
42	A226002000	1	+ELEMENT,AIR FILTER
43	V264000220	1	FLANGE NUT

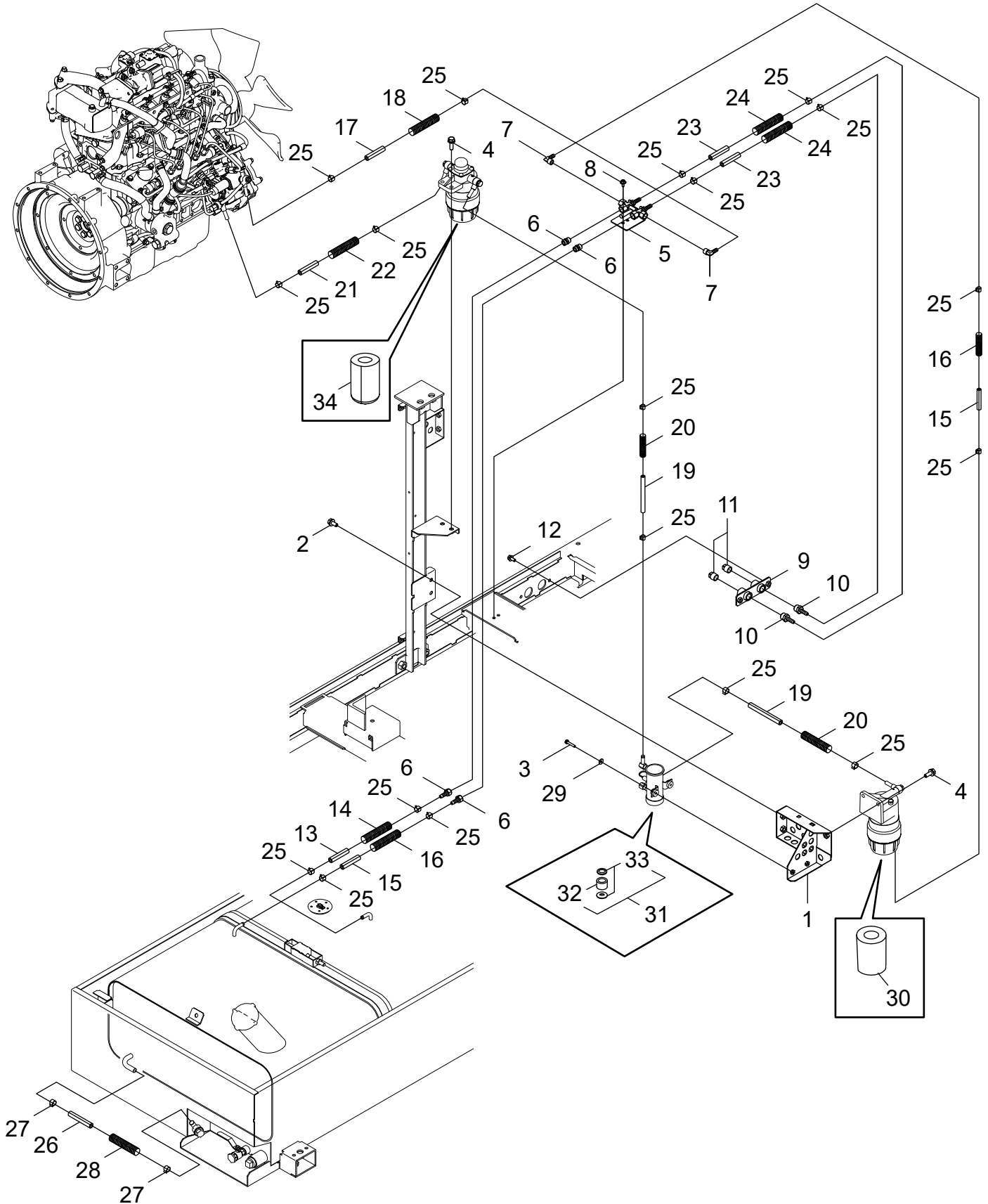
FUEL TANK, OIL CONTAINMENT



## FUEL TANK, OIL CONTAINMENT

NO.	PART NUMBER	QTY.	DESCRIPTION
1	<b>G250001100</b>	<b>1</b>	<b>TANK,FUEL</b>
2	G255000010	1	+TANK CAP
3	A369000160	1	+STRAINER
4	9156405010	5	+SCREW SPW
5	K221000030	1	+PACKING
6	E325000040	1	FUEL GAUGE
7	A392000410	2	BAND, FUEL TANK
8	A392000420	2	BAND, FUEL TANK
9	V206000610	2	BOLT,10
10	V420003920	2	CUSHION
11	M416000040	3	TIE MOUNT
12	9109816025	4	BOLT
13	9222916000	4	WASHER
14	<b>J447001371</b>	<b>1</b>	<b>GUARD</b>
15	V420003060	3	+PAD
16	M700000010	2	+PAD
17	V420003050	2	+PAD
18	V420003930	2	+CUSHION
19	J447001160	1	GUARD
20	V205001340	2	BOLT,8
22	E265000310	1	VALVE
23	E328000330	1	PLUG,DRAIN
24	E328000340	1	PLUG,DRAIN
25	E328000140	1	DRAIN PLUG
26	V106000110	1	SEAL WASHER
27	G031004991	1	HARNESS,WIRE
28	G334001360	2	SWITCH

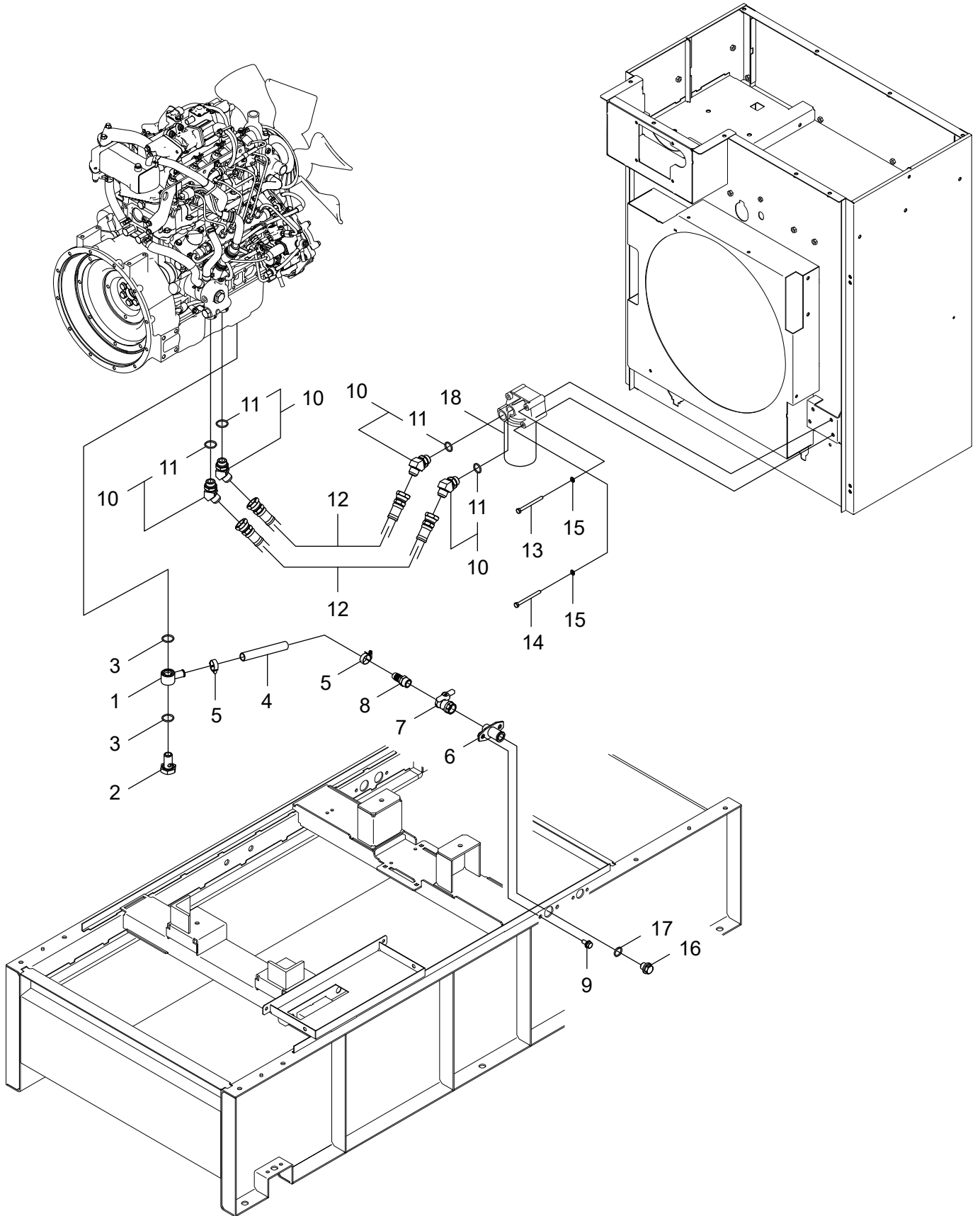
FUEL LINES



## FUEL LINES

NO.	PART NUMBER	QTY.	DESCRIPTION
1	C527001270	1	STAY
2	V206000590	2	BOLT,10
3	9102206035	2	BOLT
4	9102410030	4	BOLT SPW
5	E265000120	1	COCK
6	V187000290	2	NIPPLE
7	E237000270	2	ELBOW
8	V204001090	2	BOLT FT SW
9	C153000560	1	SOCKET
10	V187000110	2	NIPPLE
11	E328000110	2	DRAIN PLUG
12	V205001340	2	BOLT,8
13	K401000360	1	HOSE
14	V475005920	1	TUBE
15	K401000480	2	HOSE
16	V475006080	2	TUBE
17	K401000470	1	HOSE
18	V475005460	1	TUBE
19	K401000290	2	HOSE
20	V475005520	2	TUBE
21	K401000310	1	HOSE
22	V475005470	1	TUBE
23	K401000410	2	HOSE
24	V475005800	2	TUBE
25	V495001660	18	HOSE CLAMP
26	K403000540	1	HOSE,13
27	V495003210	2	BAND
28	V475008890	1	TUBE
29	V345000050	2	WASHER
30	I8982402790	1	PRE FUEL FILTER
<b>31</b>	<b>I8981731650</b>	<b>1</b>	<b>REPAIR KIT:FUEL PUMP</b>
32	I8980714010	1	+FILTER; FUEL PUMP
33	I8980714040	1	+GASKET KIT; FUEL PUMP
34	I8982402800	1	FUEL FILTER

OIL LINES

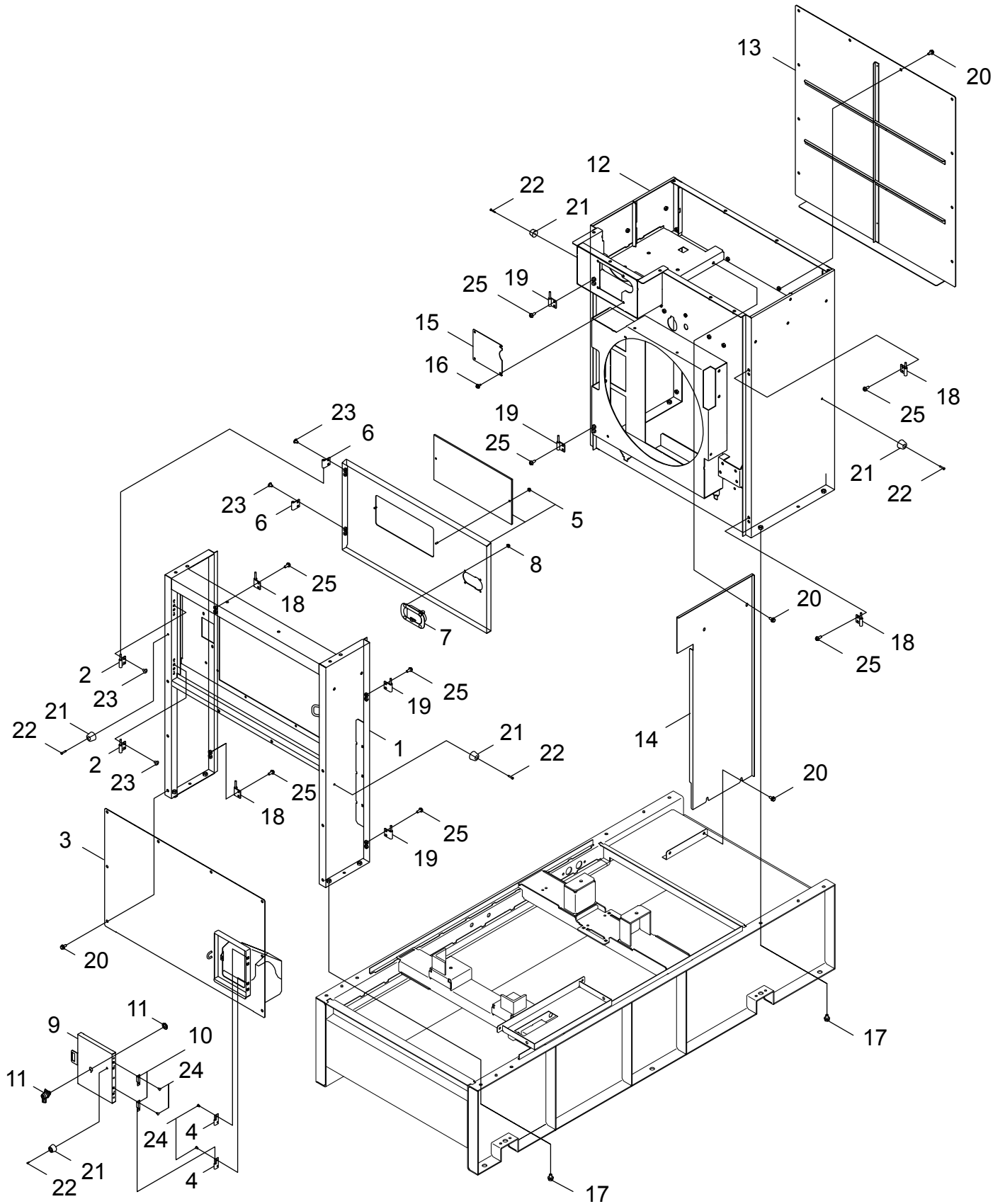




## OIL LINES

NO.	PART NUMBER	QTY.	DESCRIPTION
1	K313000050	1	FIXTURE, HOSE JOINT
2	V242000410	1	BOLT,EYE
3	V581000760	2	RING,O
4	K405000460	1	HOSE,19
5	V495001710	2	HOSE CLAMP
6	C153000180	1	SOCKET
7	E265000130	1	COCK
8	V187000130	1	NIPPLE
9	V206000720	2	BOLT,10
<b>10</b>	<b>M601000350</b>	<b>4</b>	<b>JOINT</b>
11	V581000770	4	+RING,O
12	K576000190	2	HOSE,14
13	9100008095	2	BOLT
14	V205000630	2	BOLT
15	90060000008	4	WASHER 8
16	E328000120	1	DRAIN PLUG
17	I1096230570	1	GASKET
18	I8980756761	1	OIL FILTER

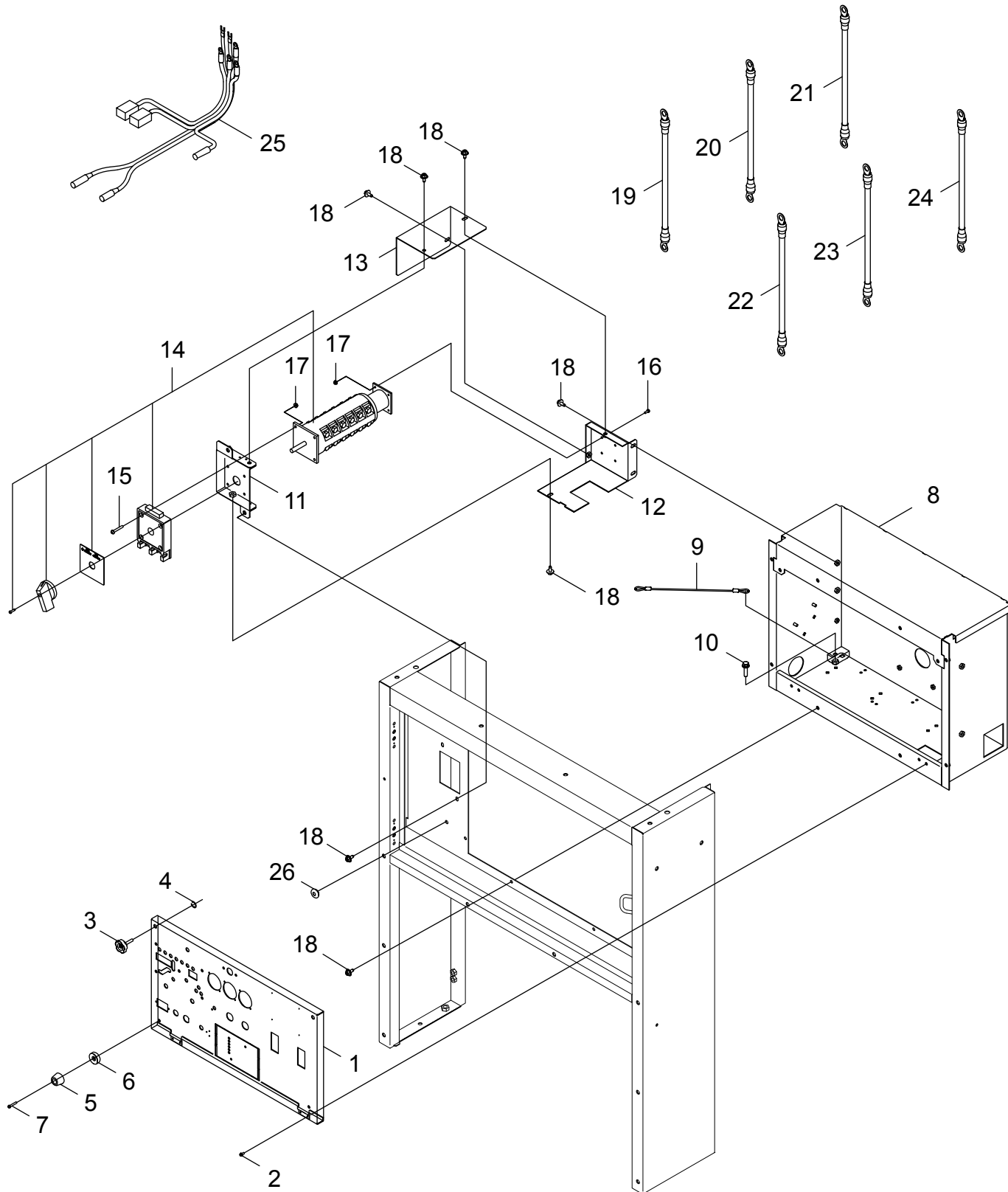
## ENCLOSURE FRAME



## ENCLOSURE FRAME

NO.	PART NUMBER	QTY.	DESCRIPTION
1	J495000231	1	BONNET
2	J485000250	2	HINGE
3	J500001130	1	PANEL
4	J485000310	2	HINGE
5	M040000531	1	FRONT DOOR,ASM
6	J485000280	2	HINGE
7	C701000420	1	LOCK COVER
8	V264000220	4	FLANGE NUT
9	M471000190	1	COVER
10	J485000330	2	HINGE
11	C701001110	1	PANEL
12	J495000241	1	BONNET
13	M415001060	1	PLATE,REAR
14	M418000150	1	PLATE,BAFFLE
15	J500001081	1	PANEL
16	V204001090	4	BOLT FT SW
17	V206000720	8	BOLT,10
18	J485000260	4	HINGE
19	J485000250	4	HINGE
20	V205001340	22	BOLT,8
21	V420003070	5	STAND RUBBER
22	9138104020	5	SCREW TAPPING
23	9131808020	8	SCREW TRUSS
24	9144704012	4	SCREW TAPPING
25	V205001260	16	BOLT,8

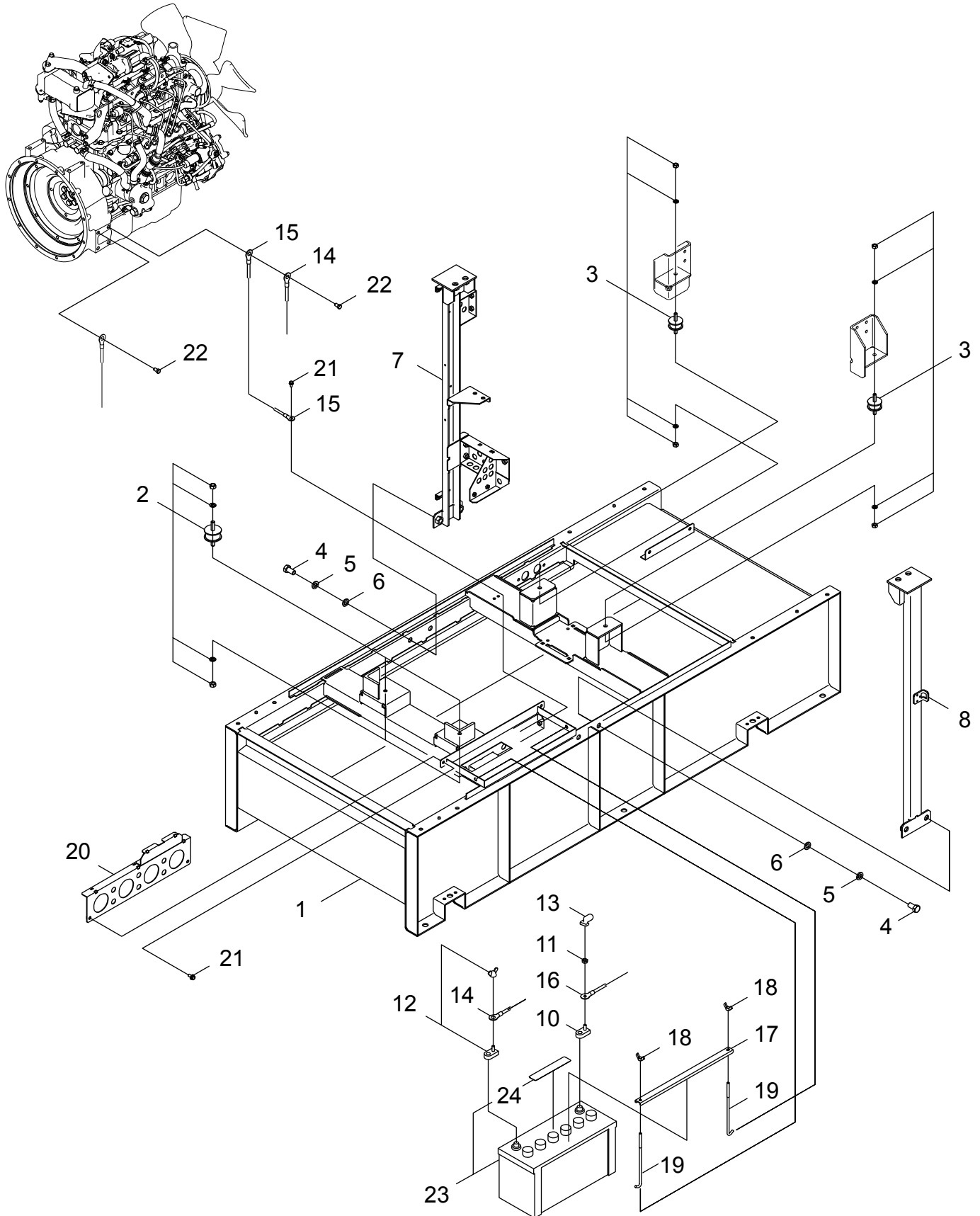
FRONT ENCLOSURE



## FRONT ENCLOSURE

NO.	PART NUMBER	QTY.	DESCRIPTION
1	C160001700	1	PANEL,OPERATION
2	9156404010	4	SCREW SPW
3	M613000020	2	KNOB
4	V583000230	2	U RING
5	V420003070	2	STAND RUBBER
6	V420003100	2	STAND RUBBER
7	9134104025	2	SCREW SW
8	J430001351	1	BOX,CONTROL
9	C617000550	1	STOPPER
10	9102408035	1	BOLT
11	A472000690	1	CASE,SWITCH
12	A472000710	1	CASE,SWITCH
13	A472000700	1	CASE,SWITCH
14	M115000340	1	SWITCH,CAM
15	9131204035	4	SCREW
16	9156404012	4	SCREW SW
17	V262000190	8	FLANGE NUT
18	V204001090	16	BOLT FT SW
19	M387000100	1	LEAD
20	M387000110	1	LEAD
21	M387000120	1	LEAD
22	M387000130	1	LEAD
23	M387000140	1	LEAD
24	M387000070	1	LEAD
25	G031005110	1	HARNESS,WIRE
26	V144000460	1	GROMMET

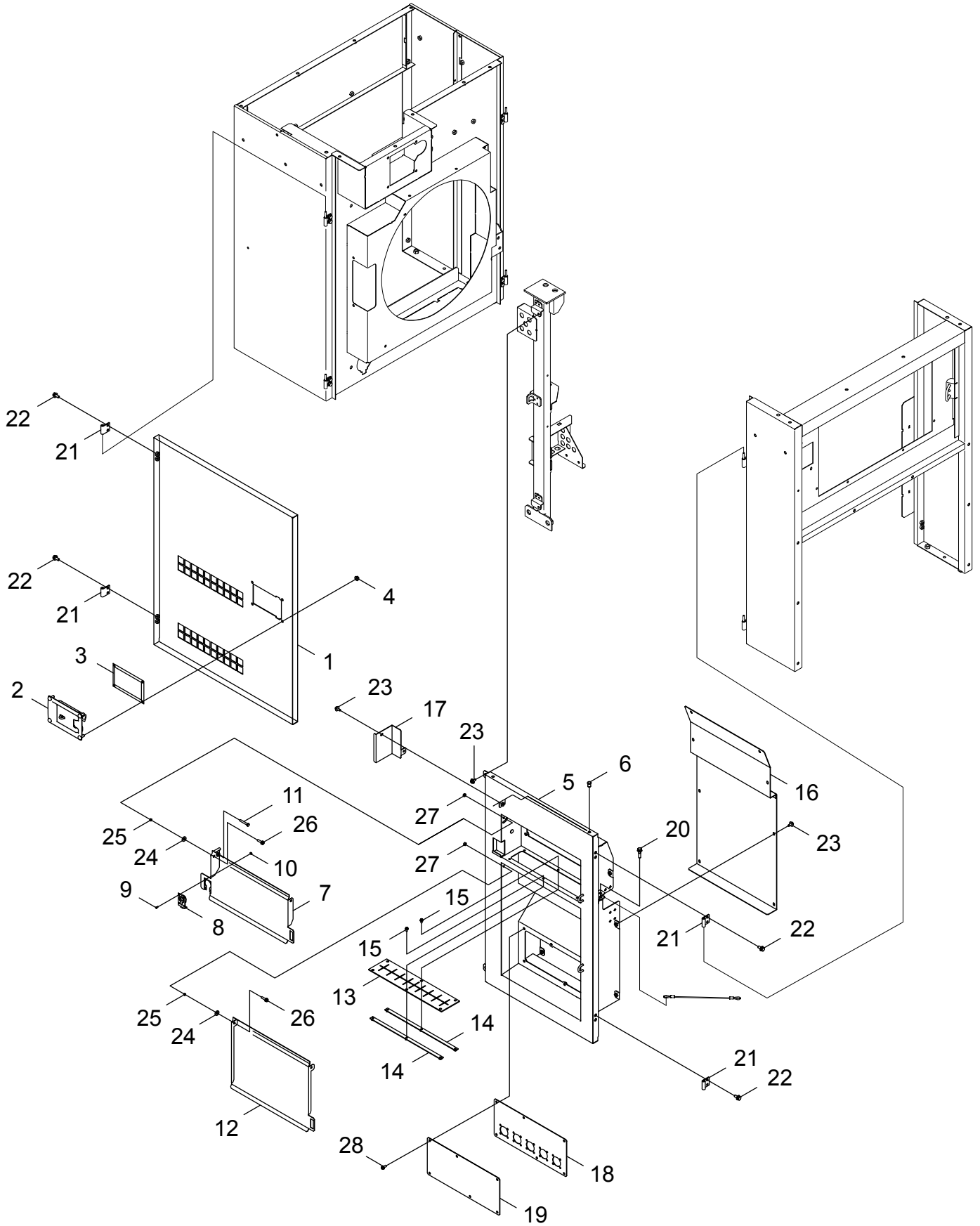
BASE, FRAME



## BASE, FRAME

NO.	PART NUMBER	QTY.	DESCRIPTION
1	J404001130	1	FRAME
2	V420003040	2	AV RUBBER
3	V404000140	2	AV RUBBER
4	90010416030	4	BOLT 16*30 SUS
5	9223516000	4	SPRING WASHER
6	9222216000	4	WASHER
7	J415000990	1	STAY,BONNET
8	J415001000	1	STAY,BONNET
10	V486000200	1	TERMINAL
11	V265000310	1	NUT
12	V486000210	1	TERMINAL
13	G305000040	1	TERMINAL CAP
14	M387000040	1	LEAD
15	M387000050	1	LEAD
16	M387000060	1	LEAD
17	G303000341	1	HOLDER,BATTERY
18	9219008000	2	WING NUT
19	V240000240	2	BOLT,HOOK
20	C527001320	1	STAY
21	V205001170	2	BOLT,8
22	9102412025	2	BOLT
<b>23</b>	<b>V046000200</b>	<b>1</b>	<b>BATTERY,ASM</b>
24	X505010410	1	+LABEL,CAUTION

LEFT ENCLOSURE





## LEFT ENCLOSURE

NO.	PART NUMBER	QTY.	DESCRIPTION	
1	M404001260	1	DOOR,LEFT	
2	C701000440	1	LOCK COVER	
3	V541000350	1	SHEET	
4	V265000290	4	FLANGE NUT	
5	M409001190	1	DOOR,SIDE	01000001-01000041
5	M409001191	1	DOOR,SIDE	
6	V162000520	2	PLUG	
7	M471000240	1	COVER	
8	C390000050	1	LATCH	
9	90027303012	4	SCREW	
10	V261000010	4	FLANGE NUT	
11	9100206040	1	BOLT	
12	M471000220	1	COVER	
13	J447001170	1	GUARD	
14	C444000100	2	SUPPORT, GUARD	
15	9103405016	6	BOLT	
16	M471000150	1	COVER	
17	M471000161	1	COVER	
18	J500001140	1	PANEL	
19	J500001150	1	PANEL	
20	9102408035	1	BOLT	
21	J485000280	4	HINGE	
22	V205001260	8	BOLT,8	
23	V204001090	13	BOLT FT SW	
24	V420003160	4	BUSH RUBBER	
25	V353000530	4	COLLAR	
26	9103606025	4	BOLT SW	
27	V264000220	4	FLANGE NUT	
28	V204001610	6	BOLT,6	