

## DGK15F Generator

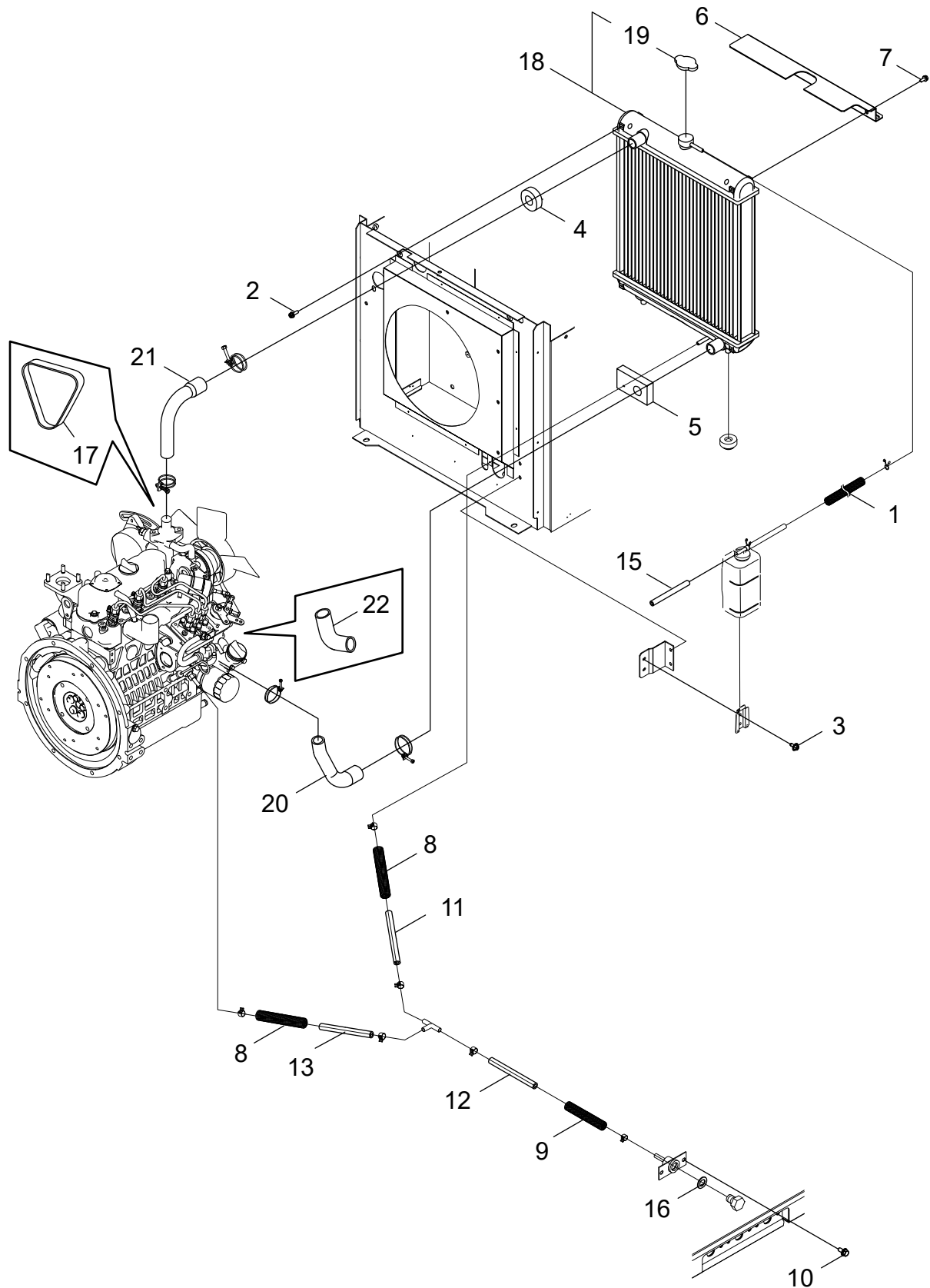


### SERIAL NUMBERS

D16301000128 - D16301999999

<b>RADIATOR ASSEMBLY</b> .....	2	<b>TOP ENCLOSURE</b> .....	18
<b>RADIATOR ASSEMBLY</b> .....	3	<b>TOP ENCLOSURE</b> .....	19
<b>MUFFLER ASSEMBLY</b> .....	4	<b>ENGINE PARTS</b> .....	20
<b>MUFFLER ASSEMBLY</b> .....	5	<b>ENGINE PARTS</b> .....	21
<b>FUEL TANK</b> .....	6	<b>ALTERNATOR</b> .....	22
<b>FUEL TANK</b> .....	7	<b>ALTERNATOR</b> .....	23
<b>FUEL LINES</b> .....	8	<b>MAIN CONTROL PANEL</b> .....	24
<b>FUEL LINES</b> .....	9	<b>MAIN CONTROL PANEL</b> .....	25
<b>ENCLOSURE FRAME</b> .....	10	<b>MAIN BREAKER AND CONTROL BOX</b> .....	26
<b>ENCLOSURE FRAME</b> .....	11	<b>MAIN BREAKER AND CONTROL BOX</b> .....	27
<b>FRONT ENCLOSURE</b> .....	12	<b>POWER OUTPUT TERMINALS</b> .....	28
<b>FRONT ENCLOSURE</b> .....	13	<b>POWER OUTPUT TERMINALS</b> .....	29
<b>BASE, FRAME</b> .....	14	<b>LABELS</b> .....	30
<b>BASE, FRAME</b> .....	15	<b>LABELS</b> .....	31
<b>RIGHT ENCLOSURE</b> .....	16		
<b>RIGHT ENCLOSURE</b> .....	17		

RADIATOR ASSEMBLY

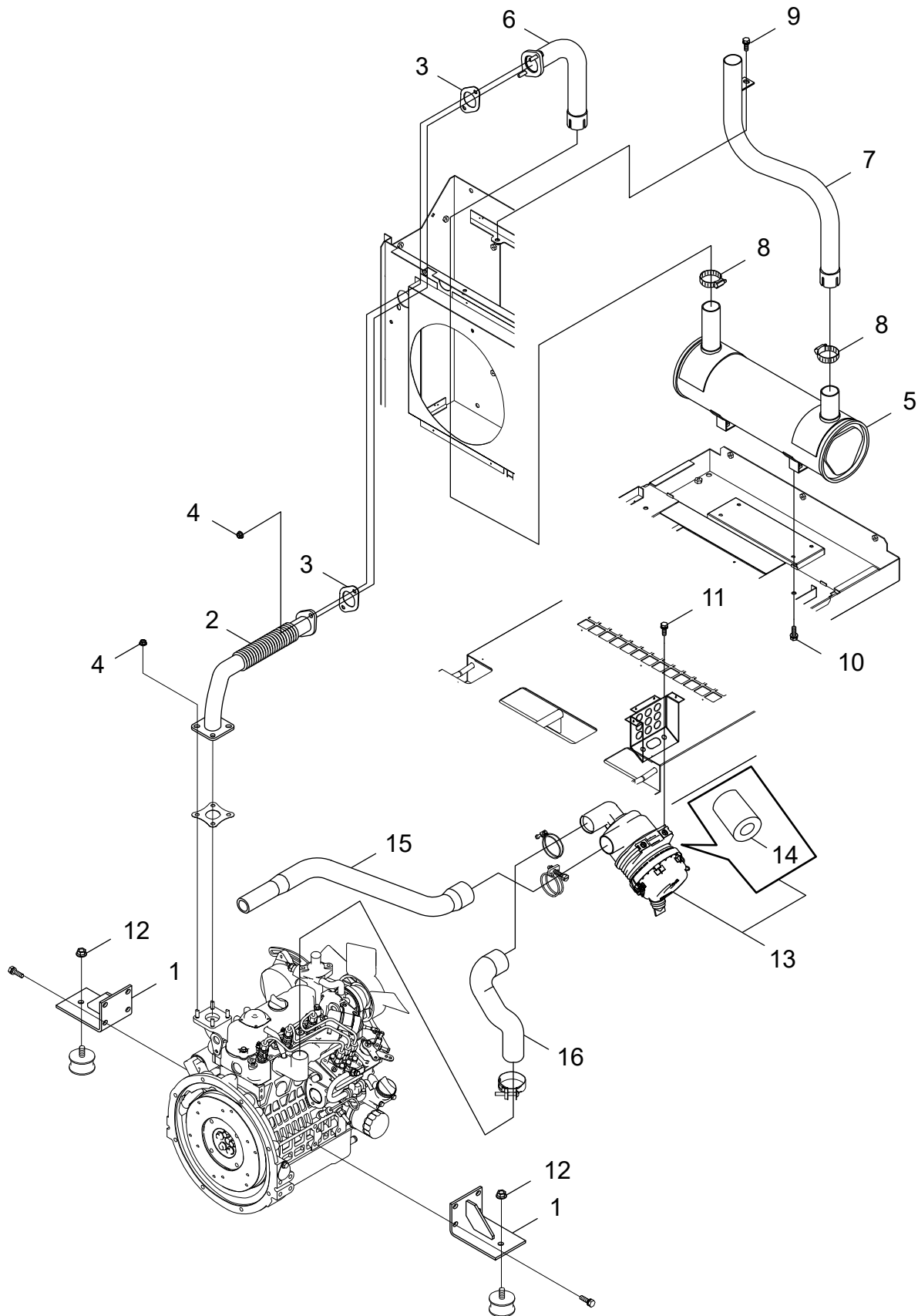


+ Denotes item is part of an assembly  
 ++ Denotes item is part of a sub-assembly

## RADIATOR ASSEMBLY

NO.	PART NUMBER	QTY.	DESCRIPTION
1	V476000270	1	TUBE
2	9103606020	2	BOLT SW
3	V204001720	2	BOLT,6
4	V542000040	1	SEAL
5	V542000050	1	SEAL
6	J447001590	1	GUARD
7	V204001610	2	BOLT,6
8	V476000260	2	TUBE
9	V476000270	1	TUBE
10	V205001340	2	BOLT,8
11	966170360	1	FUEL TUBE
12	966170260	1	TUBE, FUEL
13	966170400	1	TUBE, FUEL
15	966170460	1	FUEL TUBE
16	6C09058960	1	GASKET
17	1747297010	1	V BELT
<b>18</b>	<b>1G31972060</b>	<b>1</b>	<b>ASSY RADIATOR</b>
19	1721472020	1	+CAP ASSY
20	1G31972850	1	HOSE
21	1G31972940	1	HOSE
22	1680572870	1	HOSE

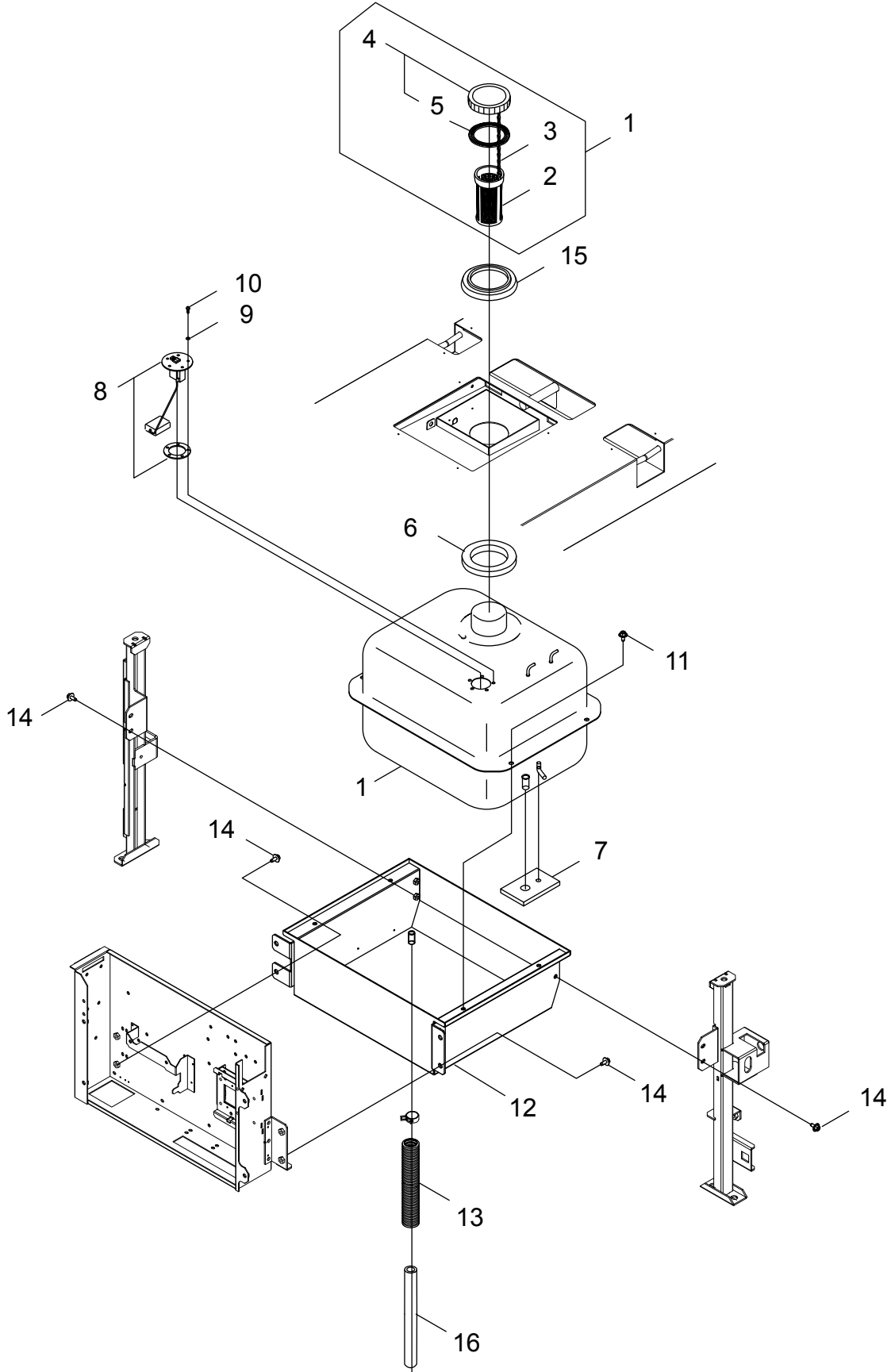
MUFFLER ASSEMBLY



## MUFFLER ASSEMBLY

NO.	PART NUMBER	QTY.	DESCRIPTION
1	G121000420	2	STAY,ENGINE
2	G231000540	1	FLEXIBLE TUBE
3	V104001740	2	GASKET
4	V265000290	6	FLANGE NUT
5	A300001430	1	MUFFLER
6	G231000840	1	PIPE,EXHAUST
7	G231000850	1	PIPE,EXHAUST
8	V495002100	2	CLAMP
9	V205001340	1	BOLT,8
10	V205001170	4	BOLT,8
11	V205001170	2	BOLT,8
12	V268000060	2	FLANGE NUT
<b>13</b>	<b>1G31911012</b>	<b>1</b>	<b>AIR CLEANER ASSY</b>
14	1G31911212	1	+AIR CLEANER(ELEMENT
15	1G31911622	1	HOSE
16	1G31911640	1	HOSE

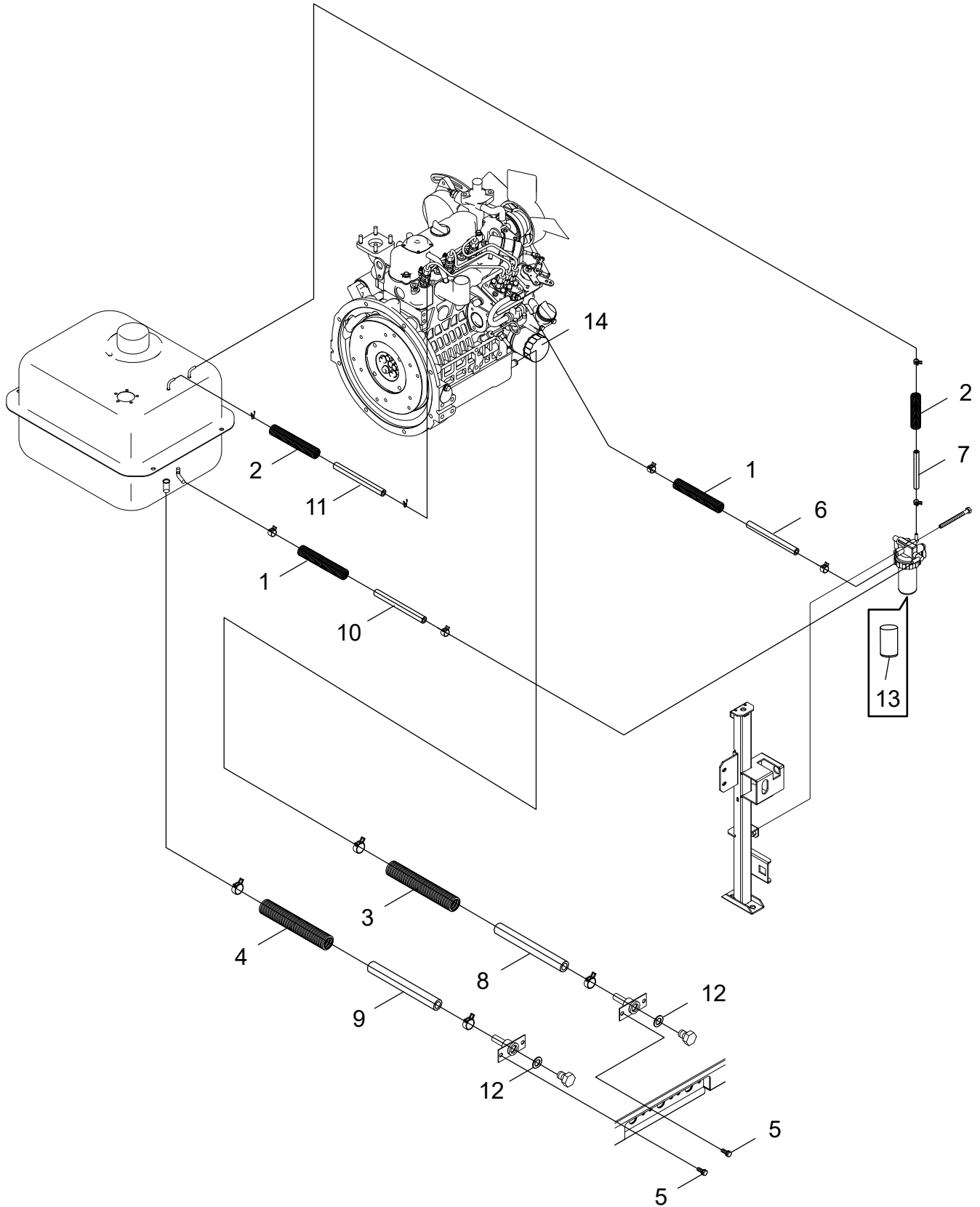
FUEL TANK



## FUEL TANK

NO.	PART NUMBER	QTY.	DESCRIPTION
1	G250000820	1	TANK,FUEL
2	A369000180	1	+STRAINER
3	V489000120	1	+CHAIN
4	G255000110	1	+TANK CAP
5	V107000140	1	++PACKING
6	V540000360	1	SHEET
7	V542000080	1	SEAL
8	E325000100	1	FUEL GAUGE
9	V500000020	5	SEAL WASHER
10	9146305012	5	SCREW TRUSS
11	V204001720	4	BOLT,6
12	G126000610	1	BRACKET,TANK
13	V475007230	1	TUBE
14	V204001720	8	BOLT,6
15	V145000510	1	TANK BUSH
16	1259733770	1	TUBE

FUEL LINES

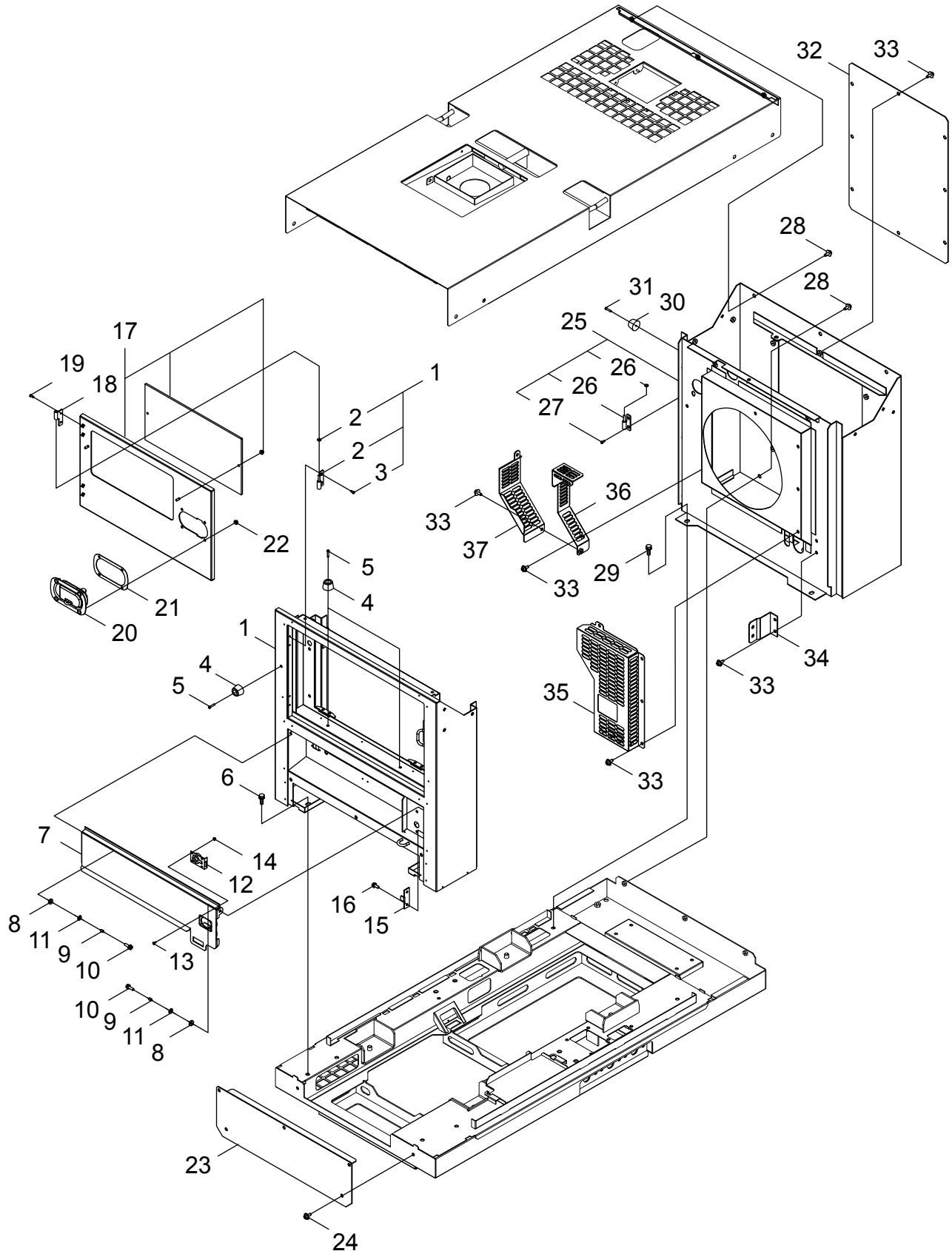




**FUEL LINES**

NO.	PART NUMBER	QTY.	DESCRIPTION
1	V476000260	2	TUBE
2	V475006170	2	TUBE
3	V476000280	1	TUBE
4	V476001000	1	TUBE
5	V205001340	4	BOLT,8
6	966170360	1	FUEL TUBE
7	966140575	1	FUEL TUBE
8	1722433210	1	PIPE
9	1726633210	1	PIPE,OIL
10	966170360	1	FUEL TUBE
11	966140575	1	FUEL TUBE
12	6C09058960	1	GASKET
13	1627143560	1	ASSY ELEMENT
14	1J09032430	1	FILTER(CARTRIDGE, OIL)

ENCLOSURE FRAME

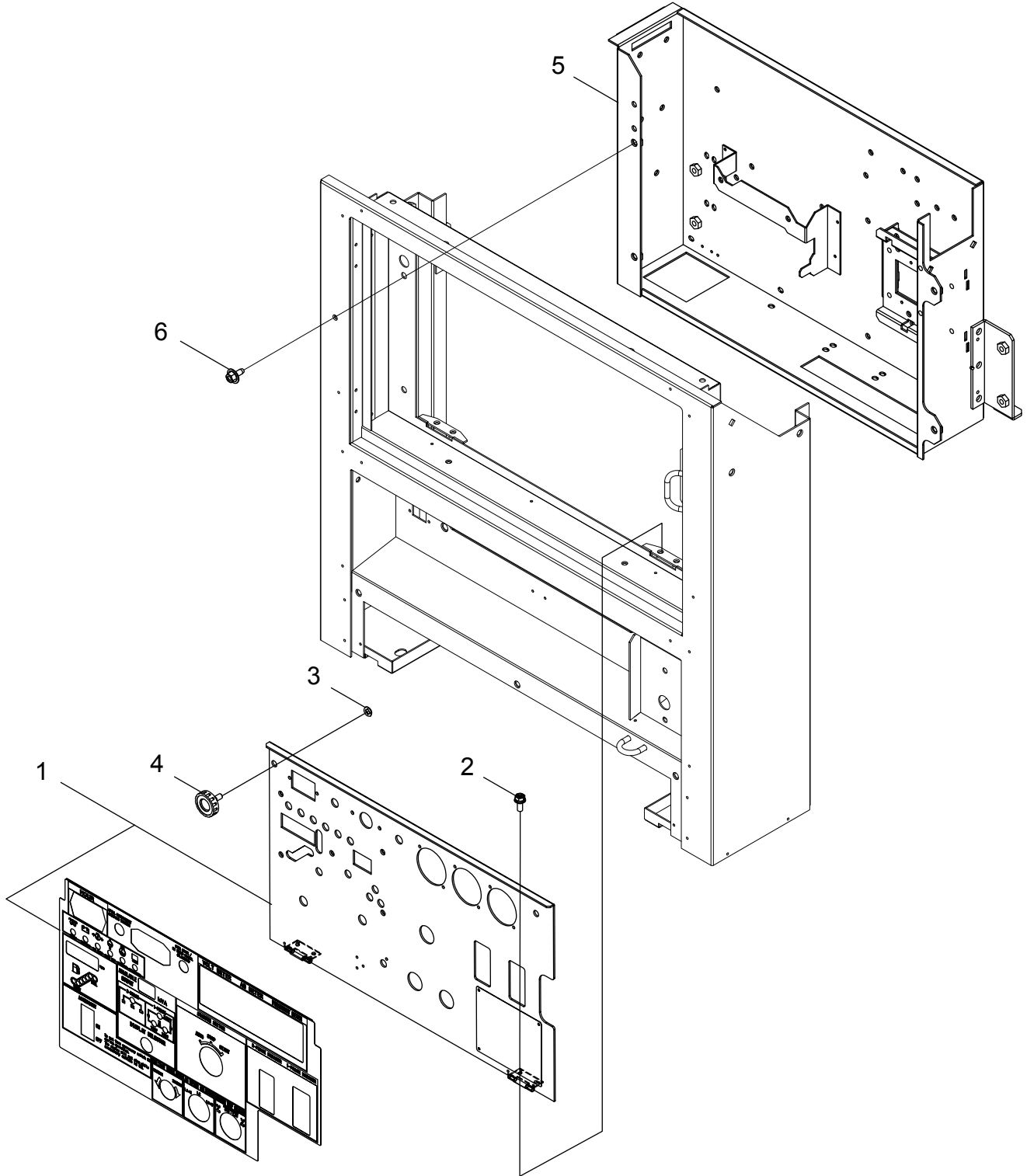


+ Denotes item is part of an assembly  
 ++ Denotes item is part of a sub-assembly

## ENCLOSURE FRAME

NO.	PART NUMBER	QTY.	DESCRIPTION
1	J495000690	1	BONNET
2	J485000630	2	+HINGE
3	9149104010	4	+SCREW TAPPING
4	V420003070	3	STAND RUBBER
5	9138104020	3	SCREW TAPPING
6	V205001170	4	BOLT,8
7	M471000480	1	COVER
8	V420004810	2	CUSHION
9	V375001020	2	COLLAR
10	9103606025	2	BOLT SW
11	V306000390	2	WASHER
12	C390000050	1	LATCH
13	9146303008	4	SCREW
14	V261000010	4	FLANGE NUT
15	C649000450	1	HOOK
16	V204001610	2	BOLT,6
17	M040000630	1	FRONT DOOR,ASM
18	J485000600	2	HINGE
19	9149104010	4	SCREW TAPPING
20	C701000420	1	LOCK COVER
21	V542000120	1	SEAL
22	V264000220	4	FLANGE NUT
23	J500001480	1	PANEL
24	V204001720	5	BOLT,6
25	J495000471	1	BONNET
26	J485000630	2	+HINGE
27	9149104010	4	+SCREW TAPPING
28	V204001720	6	BOLT,6
29	V205001170	2	BOLT,8
30	V420003070	1	STAND RUBBER
31	9138104020	1	SCREW TAPPING
32	J500001500	1	PANEL
33	V204001720	18	BOLT,6
34	C519004721	1	STAY
35	J447000690	1	GUARD
36	A172003040	1	COVER,FAN
37	A172003050	1	COVER,FAN

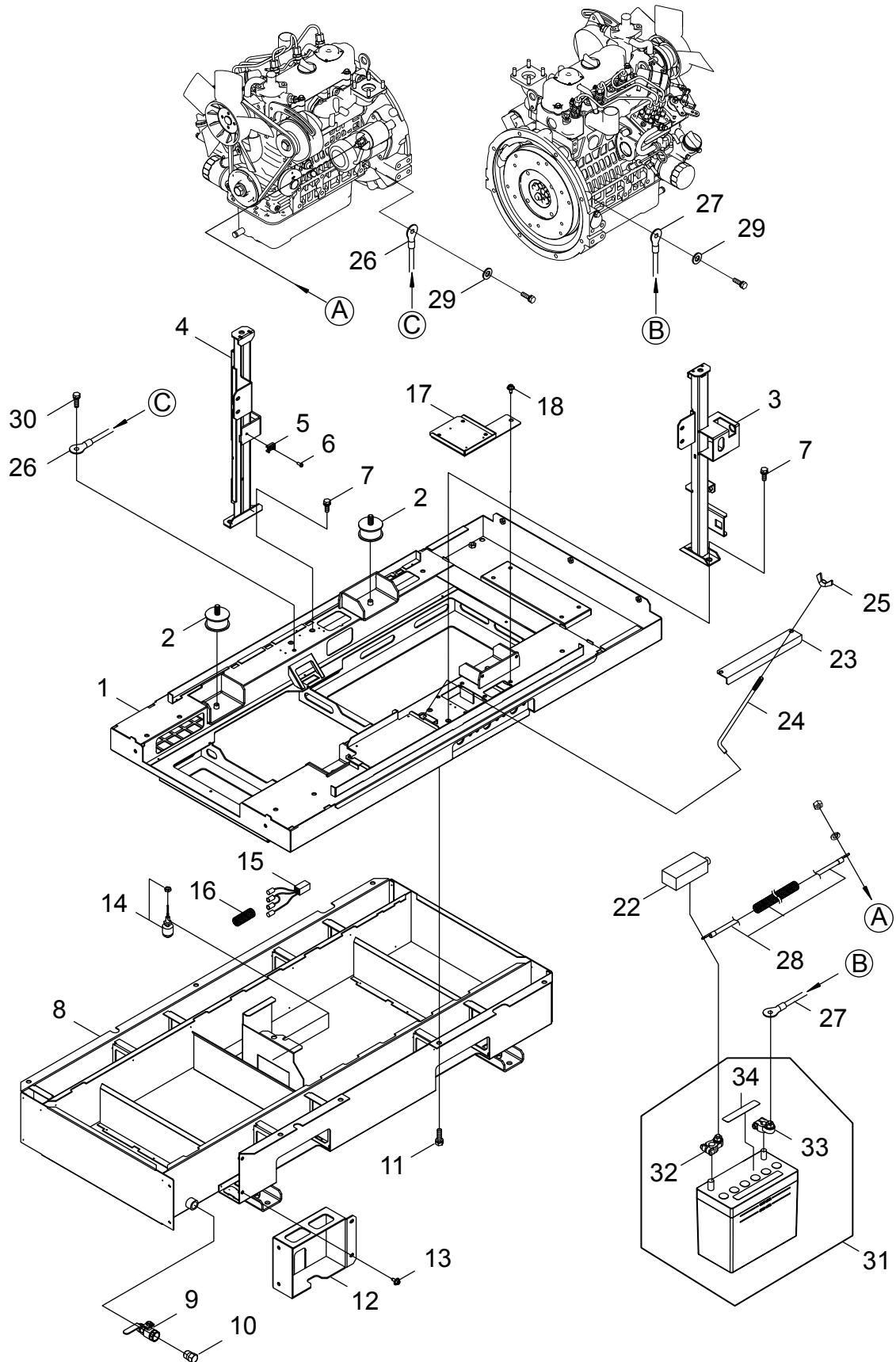
FRONT ENCLOSURE



## FRONT ENCLOSURE

NO.	PART NUMBER	QTY.	DESCRIPTION	
1	C160002040	1	PANEL,OPERATION	
2	9103604012	4	BOLT	
3	V324000010	2	WASHER	
4	V299000480	2	KNOB COMP	
5	J430001620	1	BOX,CONTROL	
6	V204001720	4	BOLT,6	

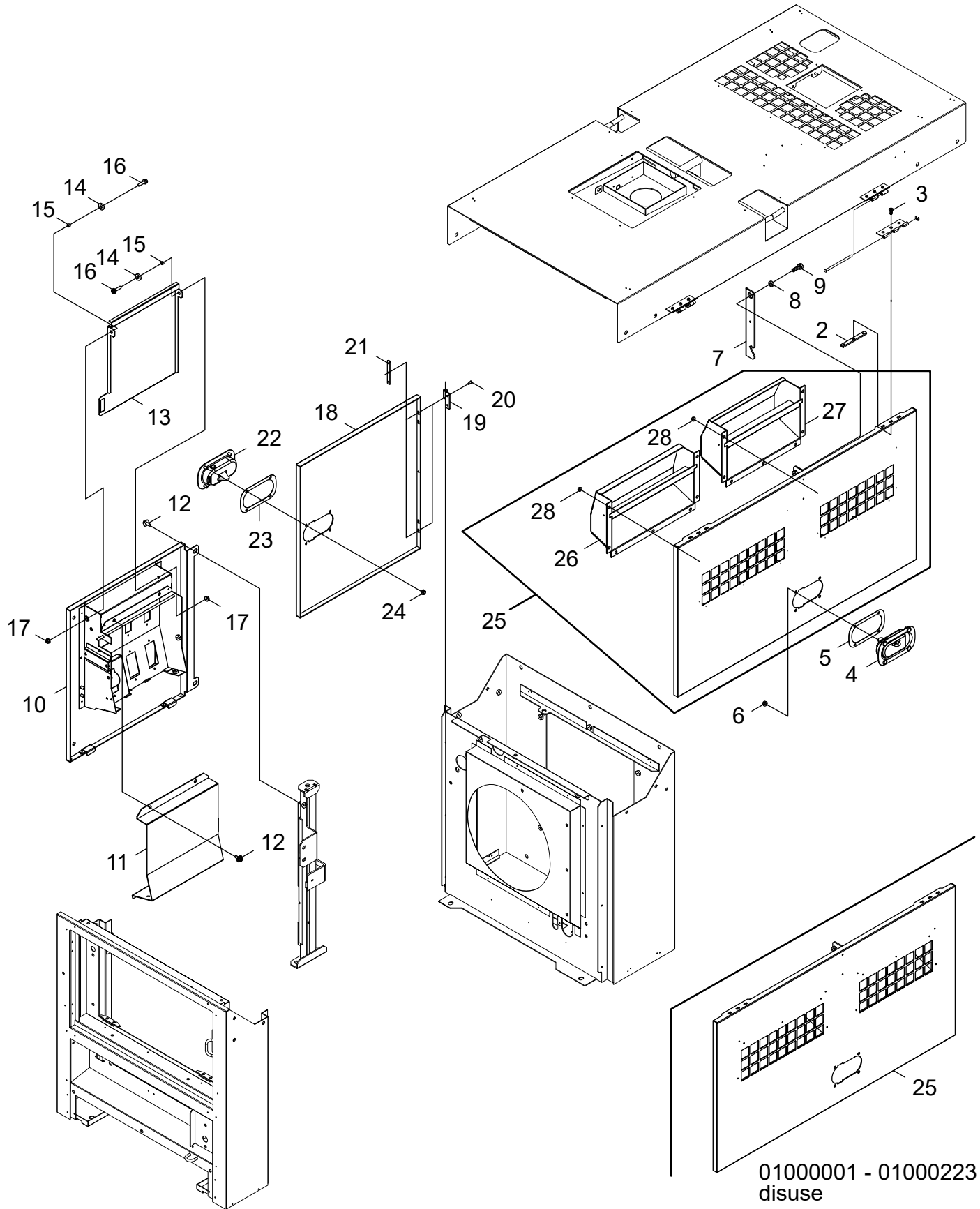
BASE, FRAME



## BASE, FRAME

NO.	PART NUMBER	QTY.	DESCRIPTION
1	J404001120	1	FRAME
2	V420003140	4	AV RUBBER
3	J415000970	1	STAY,BONNET
4	J415001090	1	STAY,BONNET
5	M416000010	1	TIE MOUNT
6	9134305012	1	SCREW
7	V206000590	4	BOLT,10
8	J447001610	1	GUARD
9	E265000310	1	VALVE
10	E328000330	1	PLUG,DRAIN
11	V205001340	7	BOLT,8
12	J447001342	1	GUARD
13	V204001720	4	BOLT,6
14	G334001080	2	SWITCH
15	G362001100	1	HARNESS,WIRE
16	V475005870	1	TUBE
17	C603000920	1	PLATE, SIDE
18	V204001720	5	BOLT,6
22	G305000030	1	TERMINAL CAP
23	G303000290	1	HOLDER,BATTERY
24	V240000150	2	BOLT BATTERY
25	9219008000	2	WING NUT
26	M382000400	1	LEAD
27	M386000340	1	LEAD
28	M380000170	1	LEAD WIRE
29	90061700010	2	WASHER PB-400
30	V204001720	1	BOLT,6
<b>31</b>	<b>V046000190</b>	<b>1</b>	<b>BATTERY,ASM</b>
32	G304000020	1	+TERMINAL - POSITIVE
33	G304000030	1	+TERMINAL - NEGATIVE
34	X505010410	1	+LABEL,CAUTION

**RIGHT ENCLOSURE**



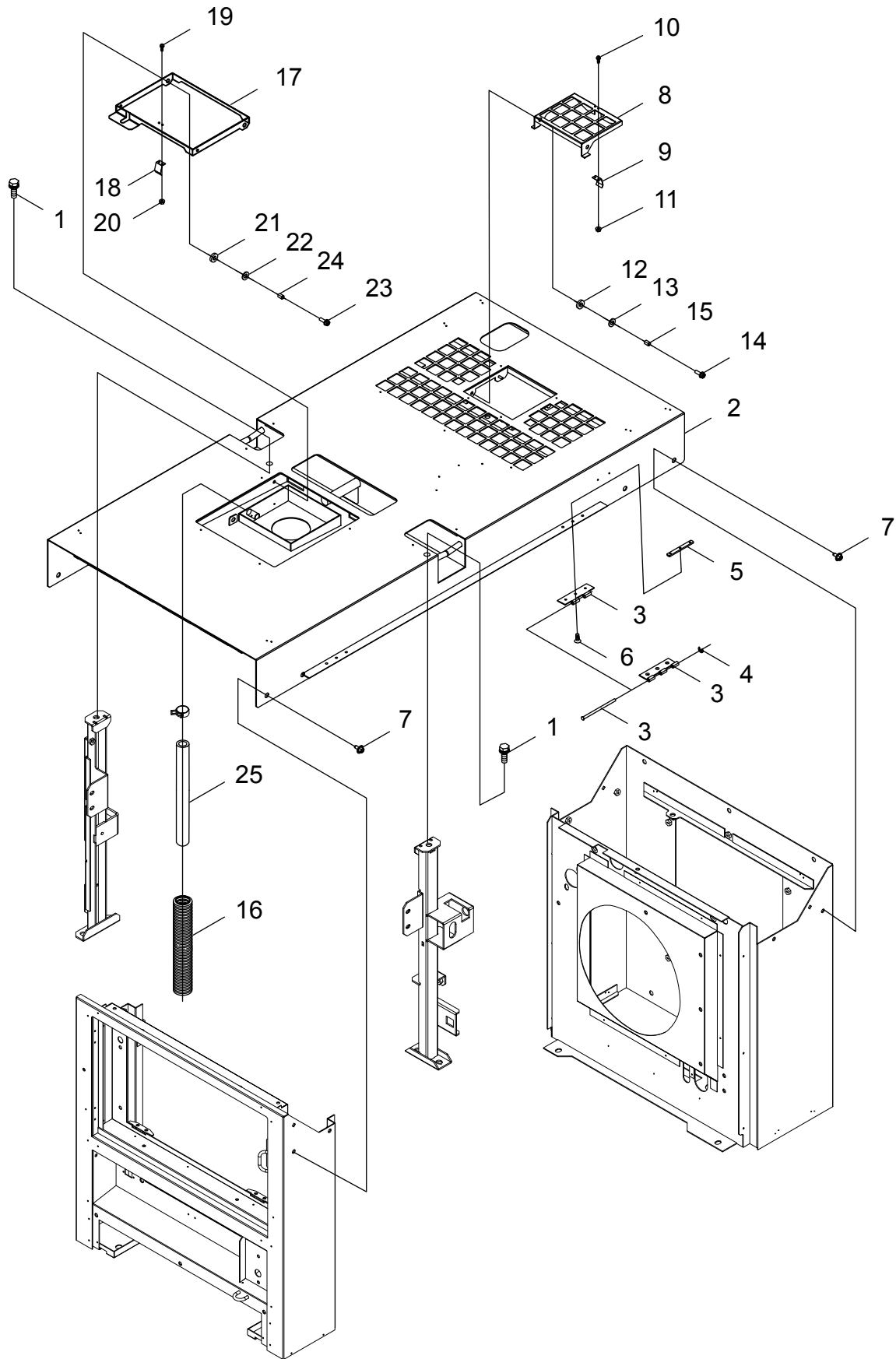
01000001 - 01000223  
disuse



## RIGHT ENCLOSURE

NO.	PART NUMBER	QTY.	DESCRIPTION
2	V150002620	2	TAPPING PLATE
3	90021204010	6	SCREW 4x10
4	C701000420	1	LOCK COVER
5	V542000120	1	SEAL
6	V264000220	4	FLANGE NUT
7	G257000990	1	STOPPER
8	V375000460	1	COLLAR
9	V205001170	1	BOLT,8
10	J500001490	1	PANEL
11	M471000490	1	COVER
12	V204001720	9	BOLT,6
13	M471000511	1	COVER
14	V420003160	2	BUSH RUBBER
15	V353000530	2	COLLAR
16	9103606025	2	BOLT SW
17	V264000220	2	FLANGE NUT
18	M404001330	1	DOOR,LEFT
19	J485000600	2	HINGE
20	9149104010	4	SCREW TAPPING
21	V150002620	2	TAPPING PLATE
22	C701000420	1	LOCK COVER
23	V542000120	1	SEAL
24	V264000220	4	FLANGE NUT
25	M407000372	1	DOOR,RIGHT
<b>25</b>	<b>M407000470</b>	<b>1</b>	<b>DOOR,RIGHT</b>
26	G128001060	1	+DUCT,AIR
27	G128001100	1	+DUCT,AIR
28	V264000220	1	+FLANGE NUT

TOP ENCLOSURE

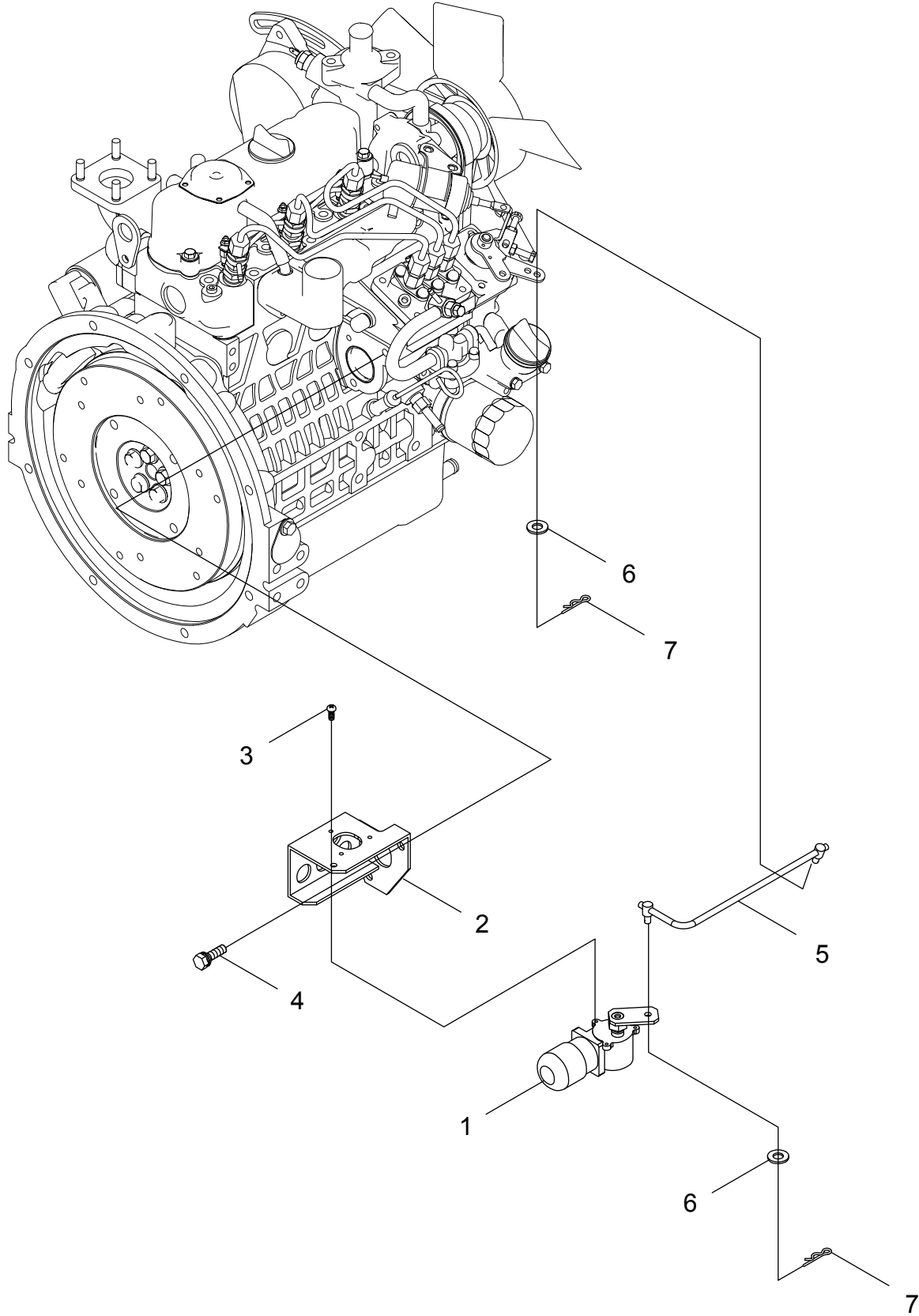


+ Denotes item is part of an assembly  
 ++ Denotes item is part of a sub-assembly

## TOP ENCLOSURE

NO.	PART NUMBER	QTY.	DESCRIPTION
1	V206000720	2	BOLT,10
<b>2</b>	<b>J495000451</b>	<b>1</b>	<b>BONNET</b>
3	J485000610	2	+HINGE
4	90070300004	2	+E-RING 4 SUS
5	V150002620	2	+TAPPING PLATE
6	90021204010	6	+SCREW 4x10
7	V204001720	11	BOLT,6
8	J480001740	1	LID,COVER
9	C390000010	1	TONGUE
10	9156403012	2	SCREW SW
11	V261000010	2	FLANGE NUT
12	V420003160	2	BUSH RUBBER
13	90060200008	2	WASHER 8
14	9103606020	2	BOLT SW
15	V375000480	2	COLLAR
16	V475007240	1	TUBE
17	A354000100	1	LID,FUEL TANK
18	C390000010	1	TONGUE
19	9156403012	2	SCREW SW
20	V261000010	2	FLANGE NUT
21	V420003160	2	BUSH RUBBER
22	90060200008	2	WASHER 8
23	9103606020	2	BOLT SW
24	V375000480	2	COLLAR
25	1K36233210	1	PIPE

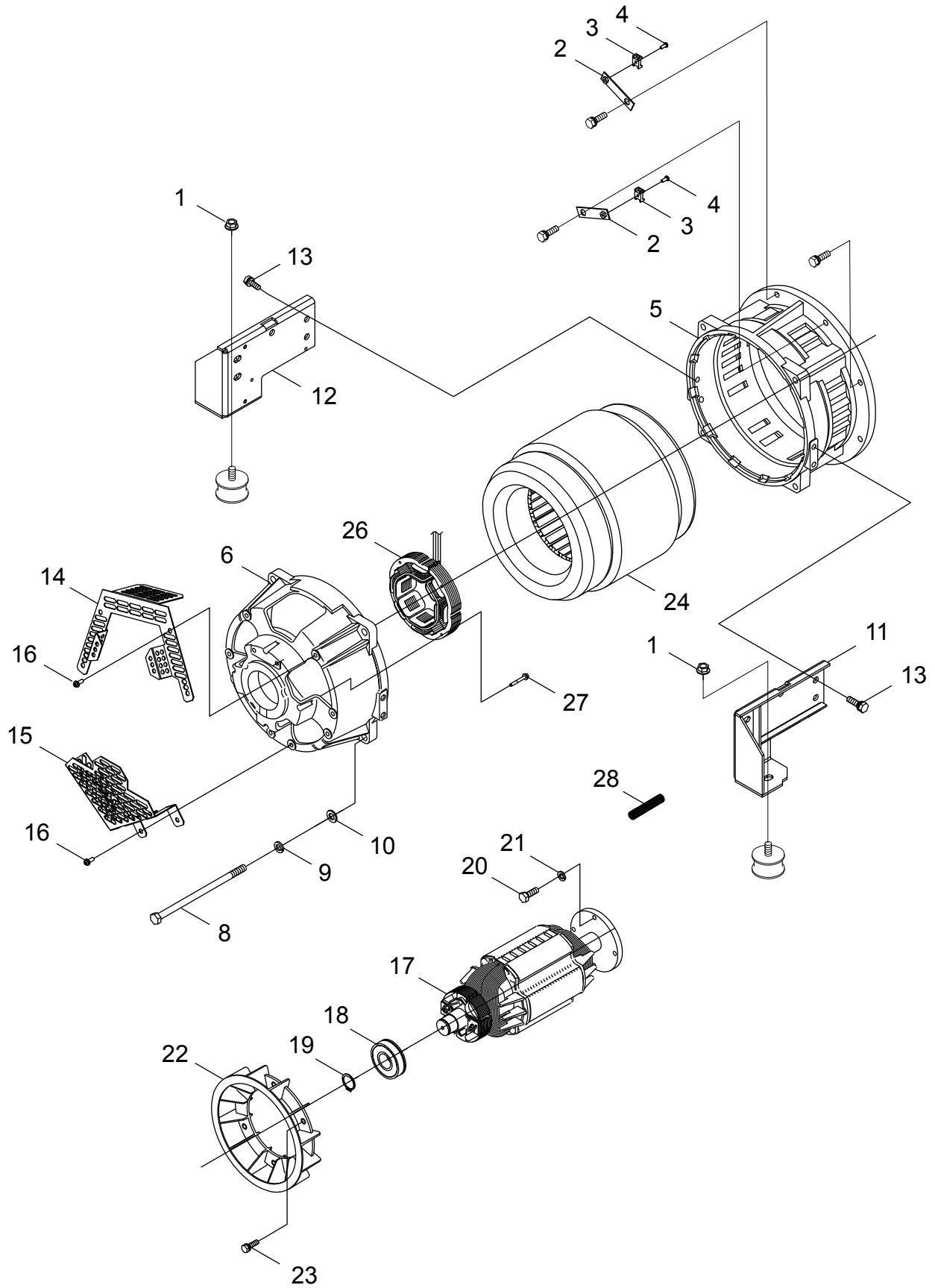
ENGINE PARTS



## ENGINE PARTS

NO.	PART NUMBER	QTY.	DESCRIPTION	
1	G280000180	1	MOTOR COMP	
2	C519004761	1	STAY	
3	9156403012	3	SCREW SW	
4	V205001170	2	BOLT,8	
5	C454000330	1	ROD	
6	90060200006	2	WASHER 6	
7	9300306000	2	SNAP PIN	

ALTERNATOR

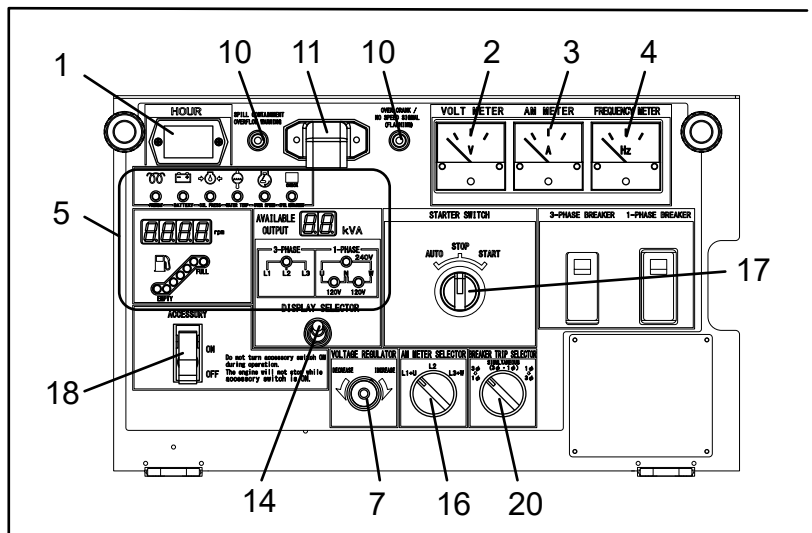
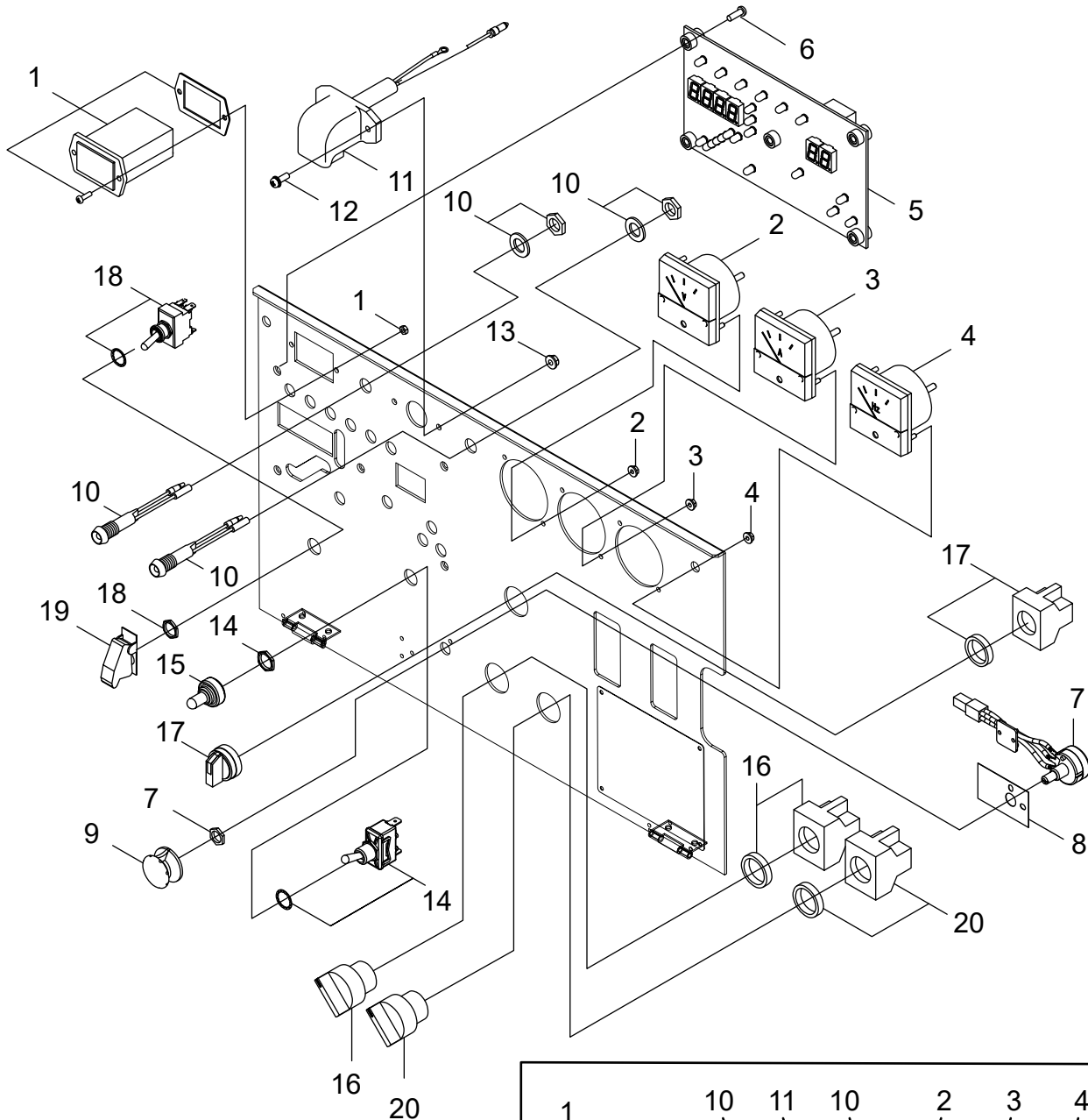


+ Denotes item is part of an assembly  
 ++ Denotes item is part of a sub-assembly

## ALTERNATOR

NO.	PART NUMBER	QTY.	DESCRIPTION
1	V268000060	2	FLANGE NUT
2	C519002460	2	STAY
3	M416000010	2	TIE MOUNT
4	9134305012	2	SCREW
5	M305000080	1	FRONT BRACKET
6	M305000090	1	REAR BRACKET
8	V207000290	4	BOLT,12
9	90060500012	4	SPRING WASHER
10	90061700012	4	WASHER 12
11	C527001220	1	STAY
12	C527001230	1	STAY
13	9102410030	8	BOLT SPW
14	J447001350	1	GUARD
15	J447001360	1	GUARD
16	9156406016	8	SCREW SW
17	M102000782	1	ROTOR
18	V592000200	1	BEARING, BALL
19	9242334000	1	SNAP RING
20	9101410030	4	BOLT
21	90060500010	4	WASHER, SPRING 10
22	A171000091	1	FAN, COOLING
23	90014708025	6	BOLT, 8*25
24	M106001440	1	STATOR
26	M106001270	1	STATOR
27	9102405040	4	BOLT
28	V476001130	1	TUBE

MAIN CONTROL PANEL

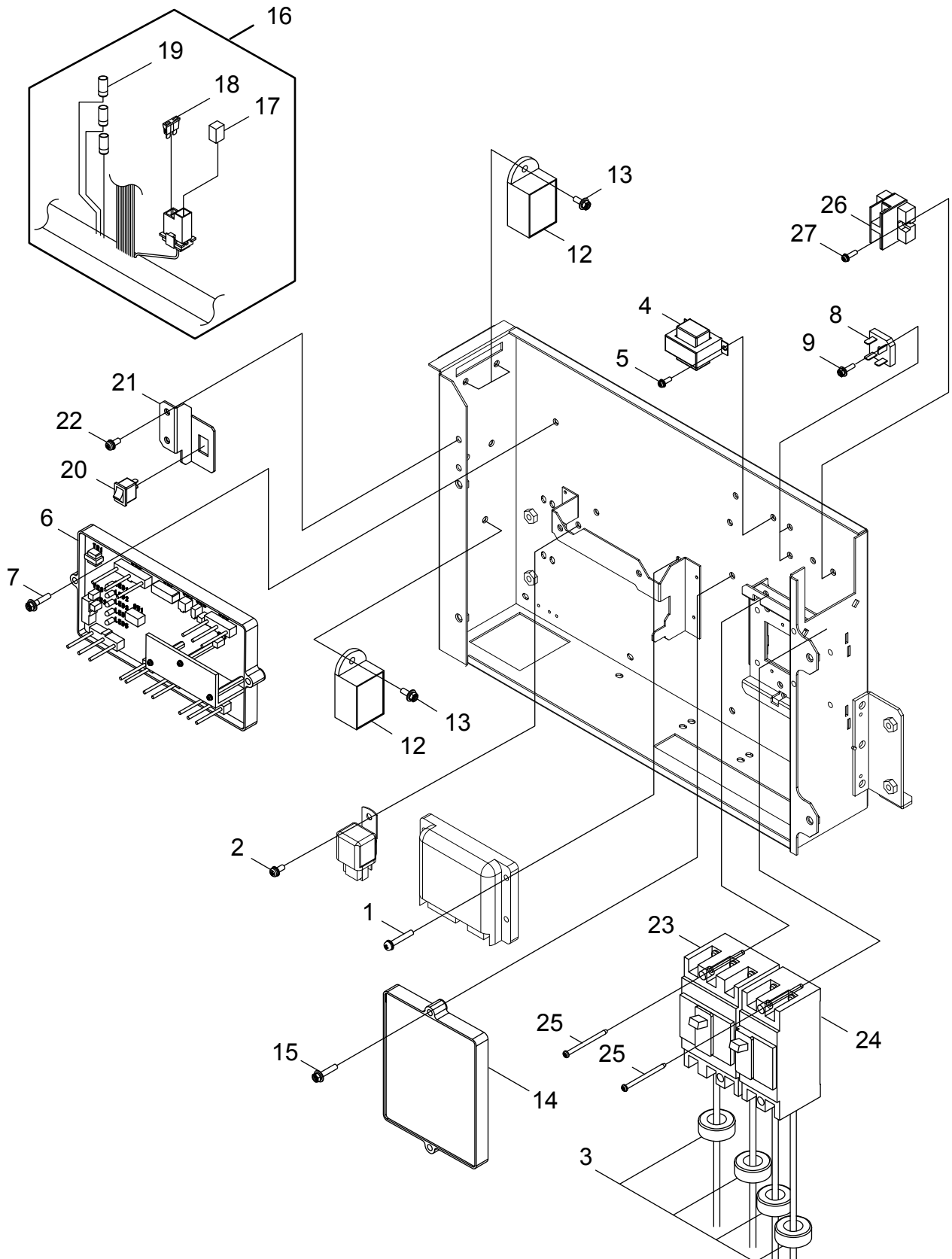




## MAIN CONTROL PANEL

NO.	PART NUMBER	QTY.	DESCRIPTION
1	G319000060	1	HOUR METER
2	M109000100	1	METER
3	M109000400	1	METER
4	M109000410	1	METER
5	G370002621	1	UNIT,CONTROL
6	9146104012	5	SCREW
7	M112000160	1	VOLUME
8	M702000050	1	INS PAPER
9	E145000060	1	DIAL
10	G327000700	2	LAMP,PILOT
11	G327000400	1	LAMP,PILOT
12	90023804016	2	SCREW 4×16
13	V262000190	2	FLANGE NUT
14	A440001970	1	SWITCH, ON OFF
15	V494000910	1	CAP
16	G334001100	1	SWITCH
17	G334002060	1	SWITCH
18	G334001960	1	SWITCH
19	A447000140	1	COVER,SWITCH KNOB
20	G334001100	1	SWITCH

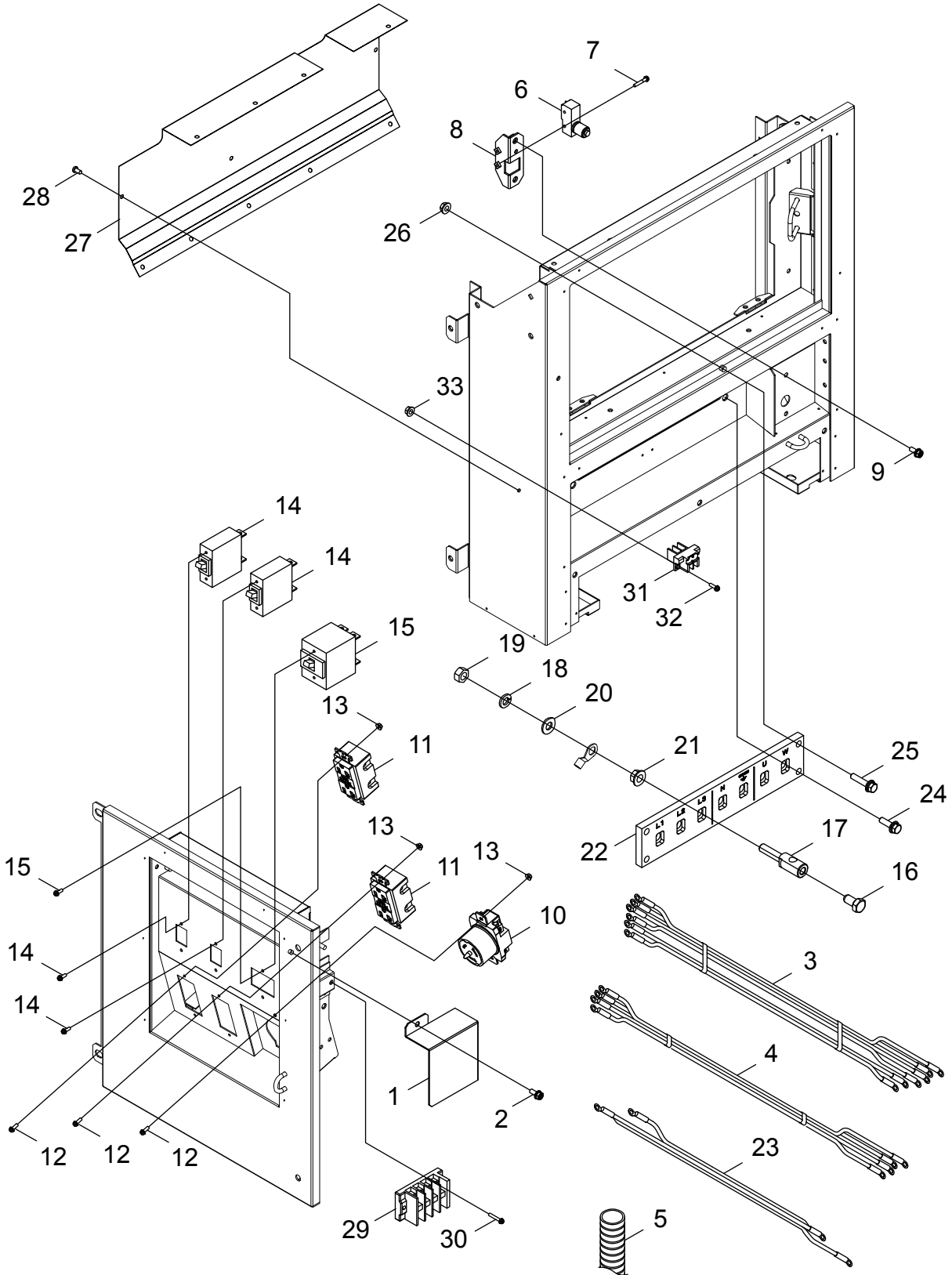
MAIN BREAKER AND CONTROL BOX



## MAIN BREAKER AND CONTROL BOX

NO.	PART NUMBER	QTY.	DESCRIPTION
1	9156405020	4	SCREW SW
2	9156405012	1	SCREW SW
3	M108000190	4	CT,ASM
4	C163000040	1	TRANS
5	9156404012	2	SCREW SW
6	G370002172	1	UNIT,CONTROL
7	9103605025	2	BOLT SW
8	M105000000	2	RECTIFIER
9	9103604016	2	BOLT
12	G370000470	3	PRINT CIRCUIT
13	9103705014	3	BOLT
14	G370002541	1	UNIT,CONTROL
15	9103605025	2	BOLT SW
<b>16</b>	<b>G031005811</b>	<b>1</b>	<b>HARNESS,WIRE</b>
17	G350000450	1	+FUUSE
18	G350000400	1	+FUUSE
19	G347000020	5	+DIODE
20	A440002650	1	SWITCH, ON OFF
21	C527001610	1	STAY
22	9156405012	2	SCREW SW
23	M111000270	1	BREAKER
24	M111001510	1	BREAKER
25	9146104065	4	SCREW
26	M308000620	1	BLOCK,TERMINAL
27	9156404016	2	SCREW SPW

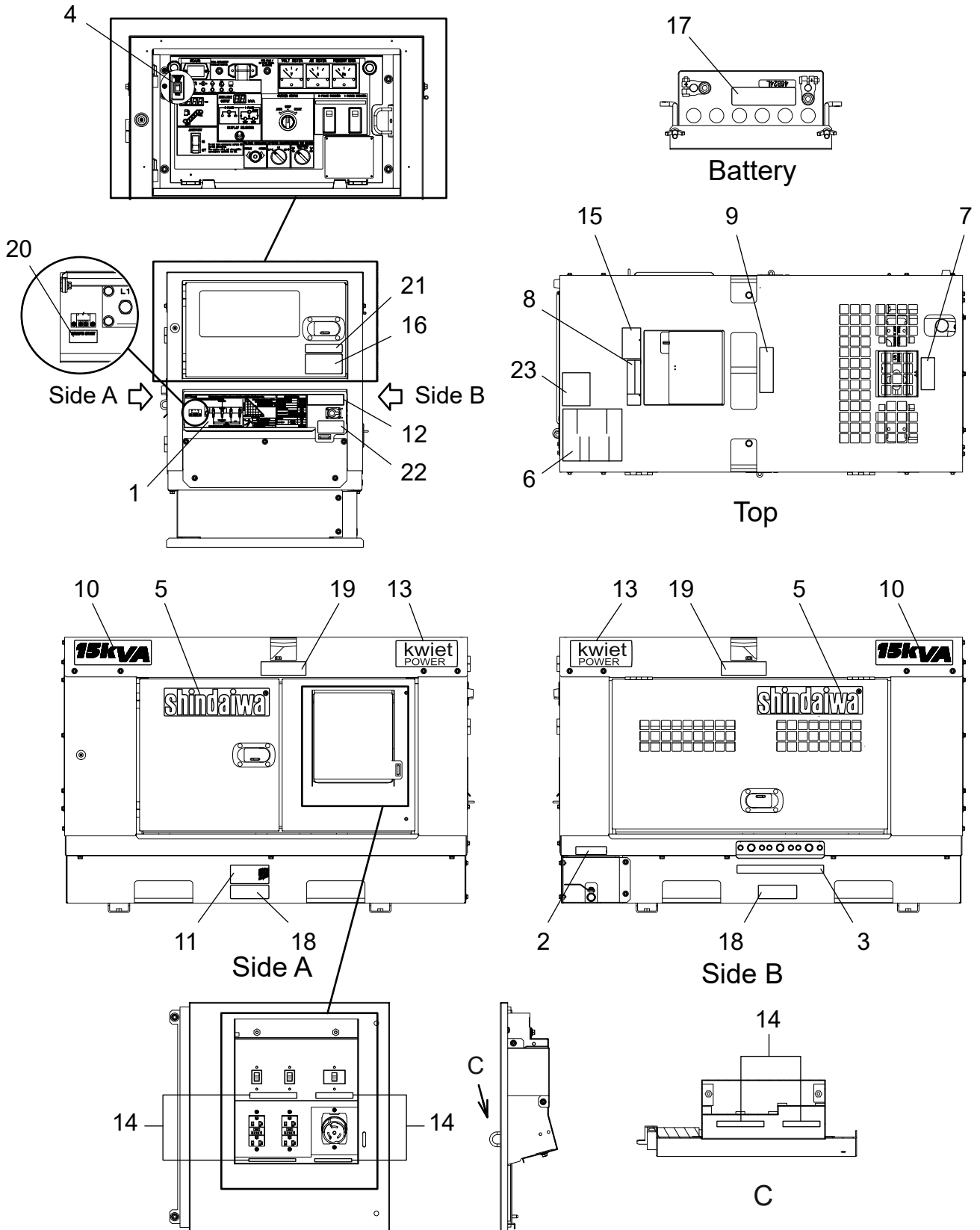
**POWER OUTPUT TERMINALS**



## POWER OUTPUT TERMINALS

NO.	PART NUMBER	QTY.	DESCRIPTION
1	M471000500	1	COVER
2	V204001720	2	BOLT,6
3	G362001391	1	HARNESS,WIRE
4	G362001400	1	HARNESS,WIRE
5	V475005480	1	TUBE
6	A045000750	1	SWITCH, ON OFF
7	9156404025	2	SCREW SPW
8	C527001620	1	STAY
9	V204001610	2	BOLT,6
10	C154000170	1	PLUG SOCKET
11	C154000491	2	RECEPTACLE
12	9156404012	6	SCREW SW
13	V262000190	6	FLANGE NUT
14	C137000080	2	CIRCUIT PROTECTOR
15	C137000070	1	CIRCUIT PROTECTOR
16	V207000090	7	BOLT
17	V227000010	7	TERMINAL POST
18	90060500012	7	SPRING WASHER
19	9200512000	7	NUT
20	9222712000	7	WASHER
21	V268000060	7	FLANGE NUT
22	M307000400	1	PLATE,INST
23	M387000470	1	LEAD
24	90014708030	3	BOLT, 8*30
25	9102408040	1	BOLT SW
26	V265000290	1	FLANGE NUT
27	C557000510	1	PLATE,PROTECTION
28	V491000470	12	CLIP
29	M308000601	1	BLOCK,TERMINAL
30	9156404025	2	SCREW SPW
31	M308000680	1	BLOCK,TERMINAL
32	9156403012	2	SCREW SW
33	V261000010	2	FLANGE NUT

LABELS



+ Denotes item is part of an assembly  
 ++ Denotes item is part of a sub-assembly

## LABELS

NO.	PART NUMBER	QTY.	DESCRIPTION
1	X505010960	1	LABEL,CAUTION
2	M707000580	1	LABEL,INST
3	M704001520	1	LABEL INST
4	M707000430	1	LABEL,INST
5	X504006320	2	LABEL,BRAND
6	X505010910	1	LABEL,CAUTION
7	X505007840	1	LABEL,CAUTION
8	X505007650	1	LABEL,CAUTION
9	X505007550	1	LABEL,CAUTION
10	X524005820	2	LABEL
11	M707001350	1	LABEL,INST
12	M704002250	1	LABEL,INST
13	M705001140	2	LABEL,FEATURE
14	X524006490	1	LABEL
15	X505008400	1	LABEL,CAUTION
16	X505010400	1	LABEL,CAUTION
17	X505010410	1	LABEL,CAUTION
18	X505010920	2	LABEL,CAUTION
19	X505010930	2	LABEL,CAUTION
20	M704003260	1	LABEL,INST
21	X505010800	1	LABEL,CAUTION
22	X564000370	1	LABEL,CAUTION
23	X505011430	1	LABEL,CAUTION