

DGK15FL Generator

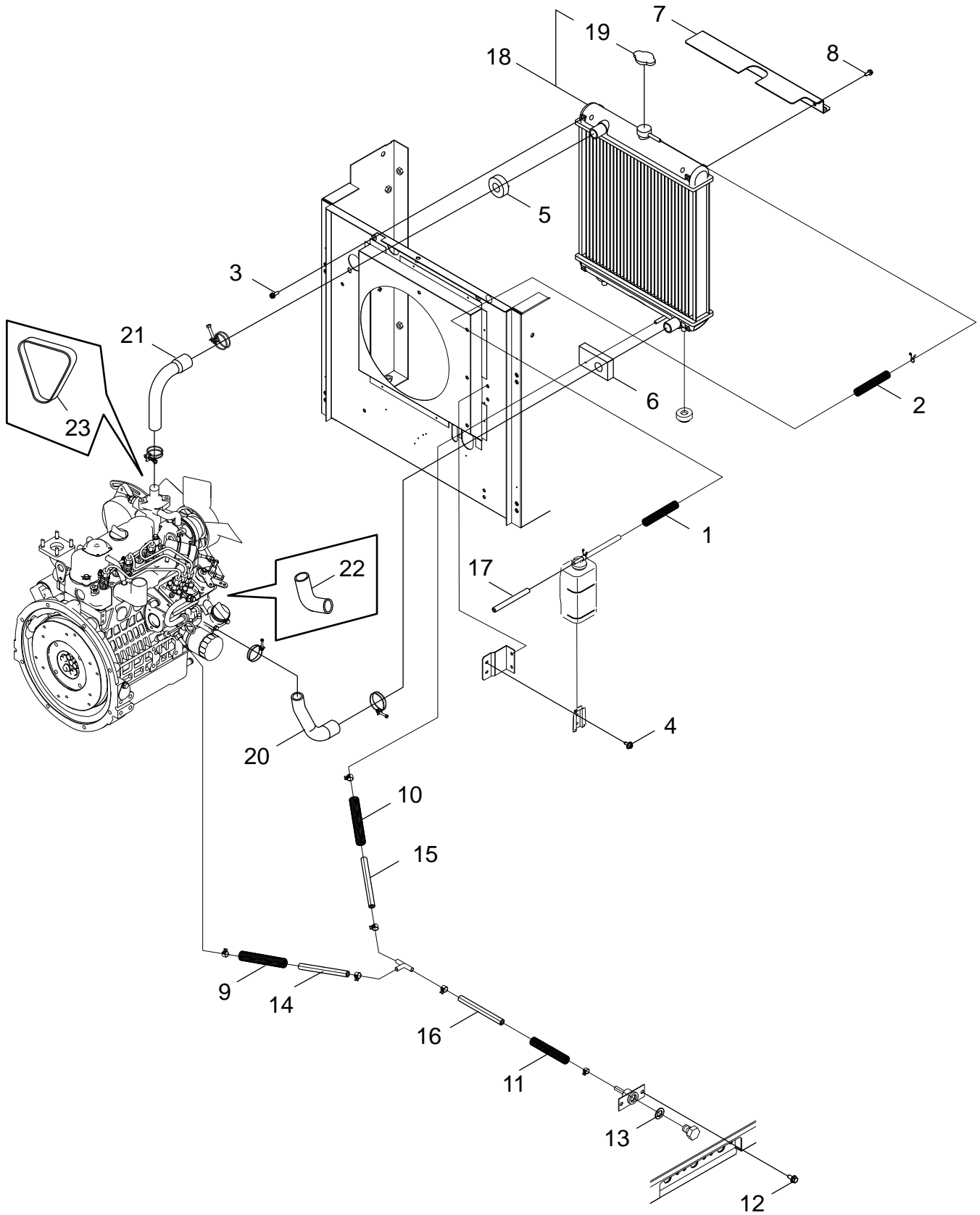


SERIAL NUMBERS

D19701000001 - D19701999999

RADIATOR ASSEMBLY.....	2	LEFT ENCLOSURE.....	20
RADIATOR ASSEMBLY.....	3	LEFT ENCLOSURE.....	21
MUFFLER ASSEMBLY.....	4	RIGHT ENCLOSURE.....	22
MUFFLER ASSEMBLY.....	5	RIGHT ENCLOSURE.....	23
FUEL TANK.....	6	TOP ENCLOSURE.....	24
FUEL TANK.....	7	TOP ENCLOSURE.....	25
FUEL LINES, RELATED COMPONENTS.....	8	ENGINE PARTS.....	26
FUEL LINES, RELATED COMPONENTS.....	9	ENGINE PARTS.....	27
OIL LINES.....	10	ALTERNATOR.....	28
OIL LINES.....	11	ALTERNATOR.....	29
ENCLOSURE FRAME.....	12	MAIN CONTROL PANEL.....	30
ENCLOSURE FRAME.....	13	MAIN CONTROL PANEL.....	31
ENCLOSURE FRAME.....	14	MAIN BREAKER AND CONTROL BOX.....	32
ENCLOSURE FRAME.....	15	MAIN BREAKER AND CONTROL BOX.....	33
FRONT ENCLOSURE.....	16	POWER OUTPUT TERMINALS.....	34
FRONT ENCLOSURE.....	17	POWER OUTPUT TERMINALS.....	35
BASE FRAME.....	18	LABELS.....	36
BASE FRAME.....	19	LABELS.....	37

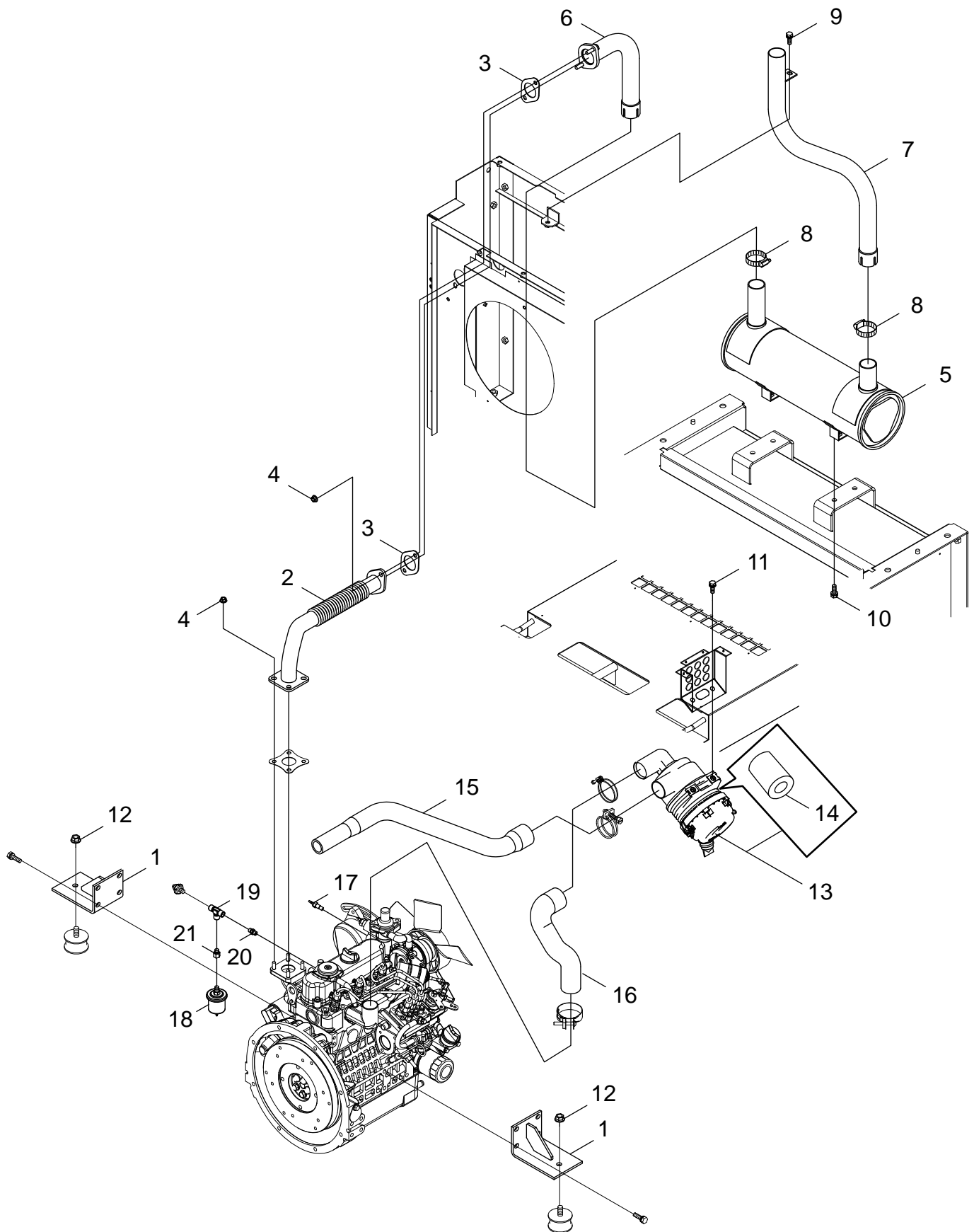
RADIATOR ASSEMBLY



RADIATOR ASSEMBLY

NO.	PART NUMBER	QTY.	DESCRIPTION
1	V476000270	1	TUBE
2	V475008390	1	TUBE
3	9103606020	2	BOLT SW
4	V204001720	2	BOLT,6
5	V542000040	1	SEAL
6	V542000050	1	SEAL
7	J447001590	1	GUARD
8	V204001610	2	BOLT,6
9	V476000190	1	TUBE
10	V475006000	1	TUBE
11	V475009780	1	TUBE
12	V205001340	2	BOLT,8
13	6C09058960	1	GASKET
14	966170400	1	TUBE, FUEL
15	966170700	1	RADIATOR - T-JOINT
16	966170110	1	T-JOINT - COOLANT DRAIN
17	966170460	1	FUEL TUBE
18	1G31972060	1	ASSY RADIATOR
19	1721472020	1	+CAP ASSY
20	1G31972850	1	HOSE
21	1G31972940	1	HOSE
22	1680572870	1	HOSE
23	1747297010	1	V BELT

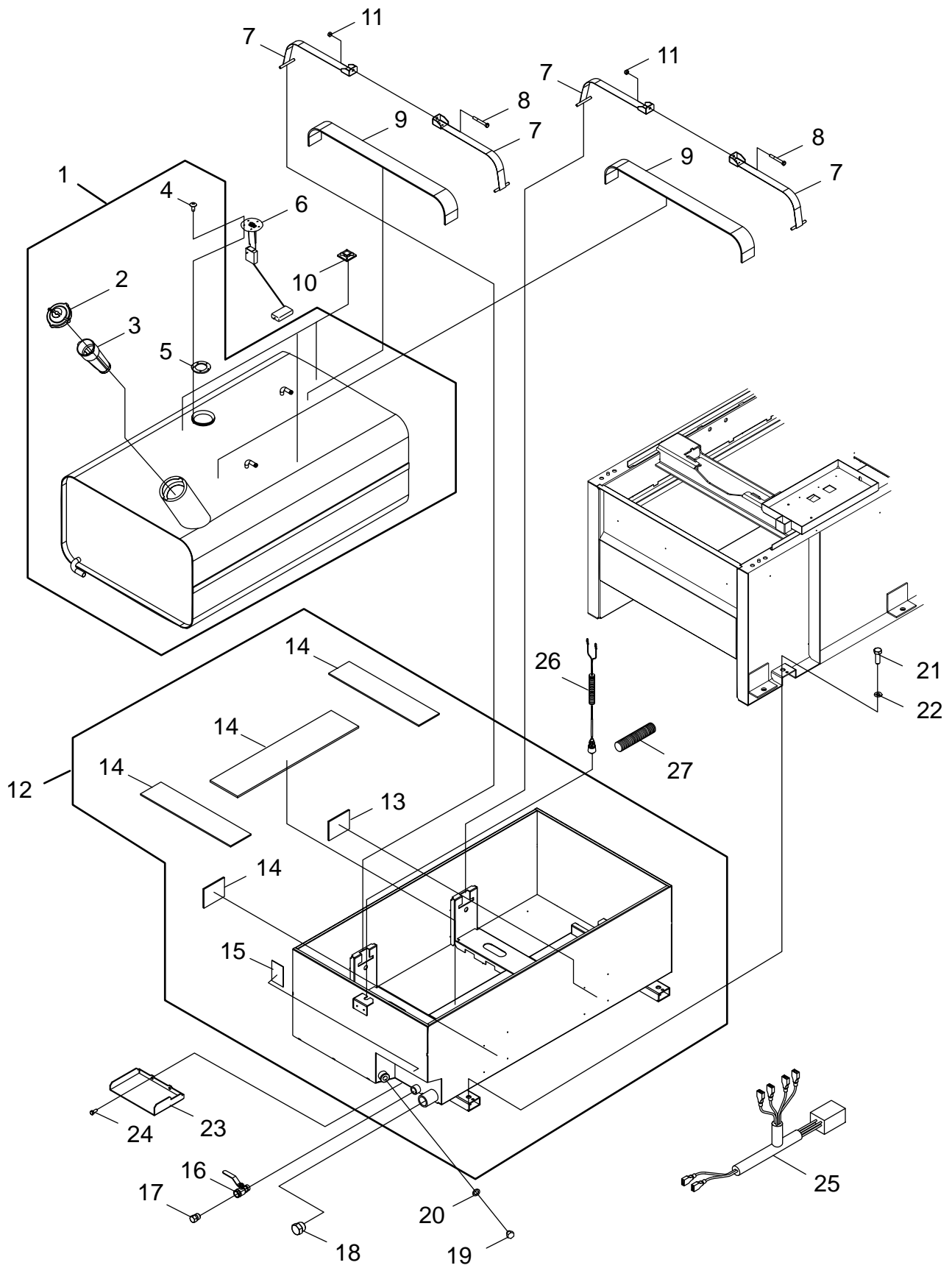
MUFFLER ASSEMBLY



MUFFLER ASSEMBLY

NO.	PART NUMBER	QTY.	DESCRIPTION
1	G121000420	2	STAY,ENGINE
2	G231000540	1	FLEXIBLE TUBE
3	V104001740	2	GASKET
4	V265000290	6	FLANGE NUT
5	A300001430	1	MUFFLER
6	G231000840	1	PIPE,EXHAUST
7	G231000850	1	PIPE,EXHAUST
8	V495002100	2	CLAMP
9	V205001340	1	BOLT,8
10	V205001170	4	BOLT,8
11	V205001170	2	BOLT,8
12	V268000060	2	FLANGE NUT
13	1G31911012	1	AIR CLEANER ASSY
14	1G31911212	1	+AIR CLEANER(ELEMENT
15	1G31911622	1	HOSE
16	1G31911640	1	HOSE
17	G365000040	1	GAUGE
18	C100000440	1	SENSOR
19	E232000080	1	TEE,HOSE
20	V187000490	1	NIPPLE
21	K430000060	1	NIPPLE,MALE 1/8

FUEL TANK



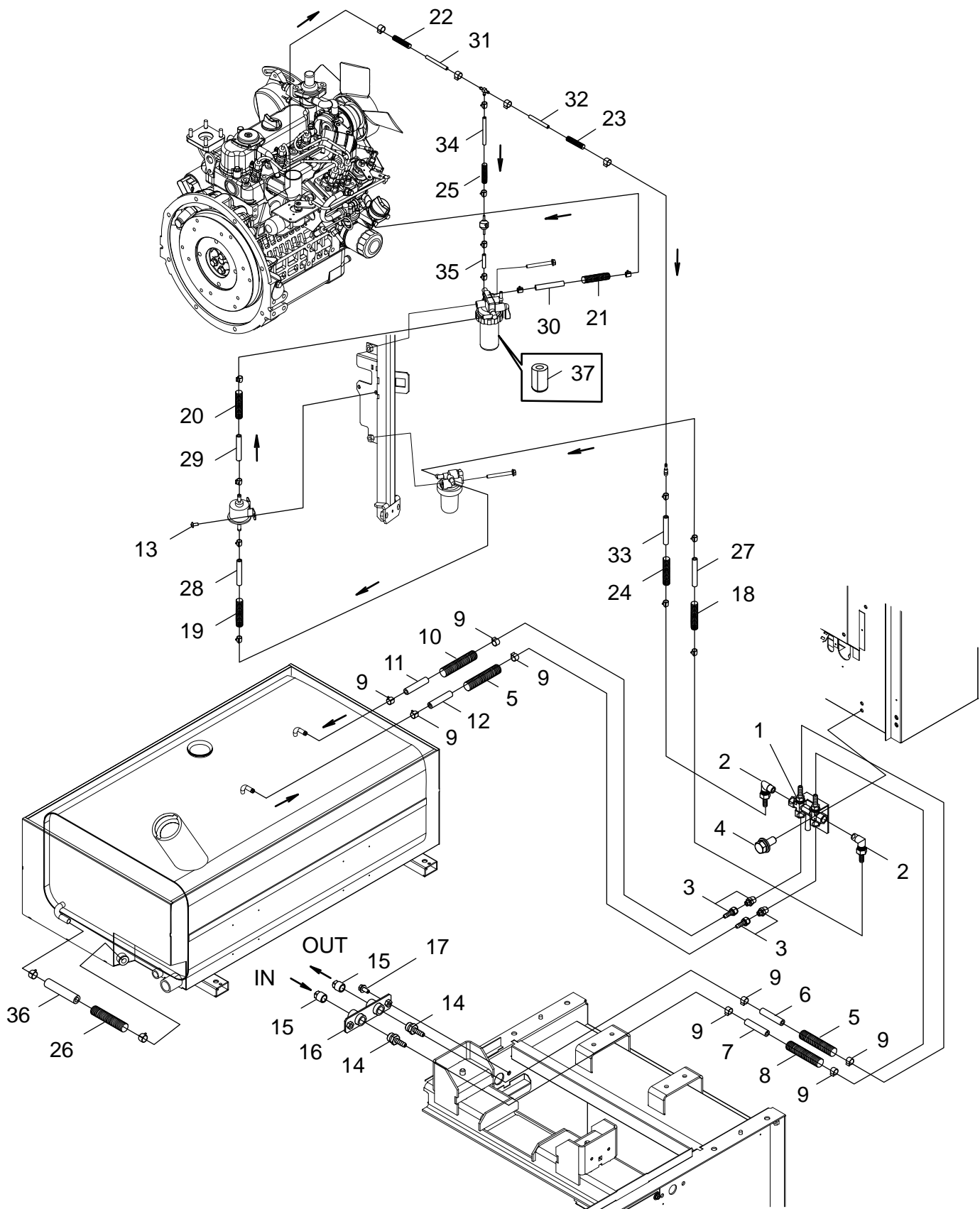
+ Denotes item is part of an assembly
++ Denotes item is part of a sub-assembly

Effective 07/07/21

FUEL TANK

NO.	PART NUMBER	QTY.	DESCRIPTION
1	G250001300	1	TANK,FUEL
2	G255000010	1	+TANK CAP
3	A369000160	1	+STRAINER
4	9156405010	5	+SCREW SPW
5	K221000030	1	+PACKING
6	E325000080	1	FUEL GAUGE
7	A392000250	4	BAND, FUEL TANK
8	90010008065	2	BOLT 8*65
9	V420003920	2	CUSHION
10	M416000040	3	TIE MOUNT
11	V265000290	2	FLANGE NUT
12	J447002020	1	GUARD
13	V420003050	2	+PAD
14	V420003930	3	+CUSHION
15	M700000010	2	+PAD
16	E265000310	1	VALVE
17	E328000330	1	PLUG,DRAIN
18	E328000340	1	PLUG,DRAIN
19	E328000140	1	DRAIN PLUG
20	V106000110	1	SEAL WASHER
21	9109812020	4	BOLT
22	9222912000	4	WASHER
23	J447001850	1	GUARD
24	V205001340	2	BOLT,8
25	G363001070	1	HARNESS,WIRE
26	G334001360	2	SWITCH
27	V475005870	1	TUBE

FUEL LINES, RELATED COMPONENTS

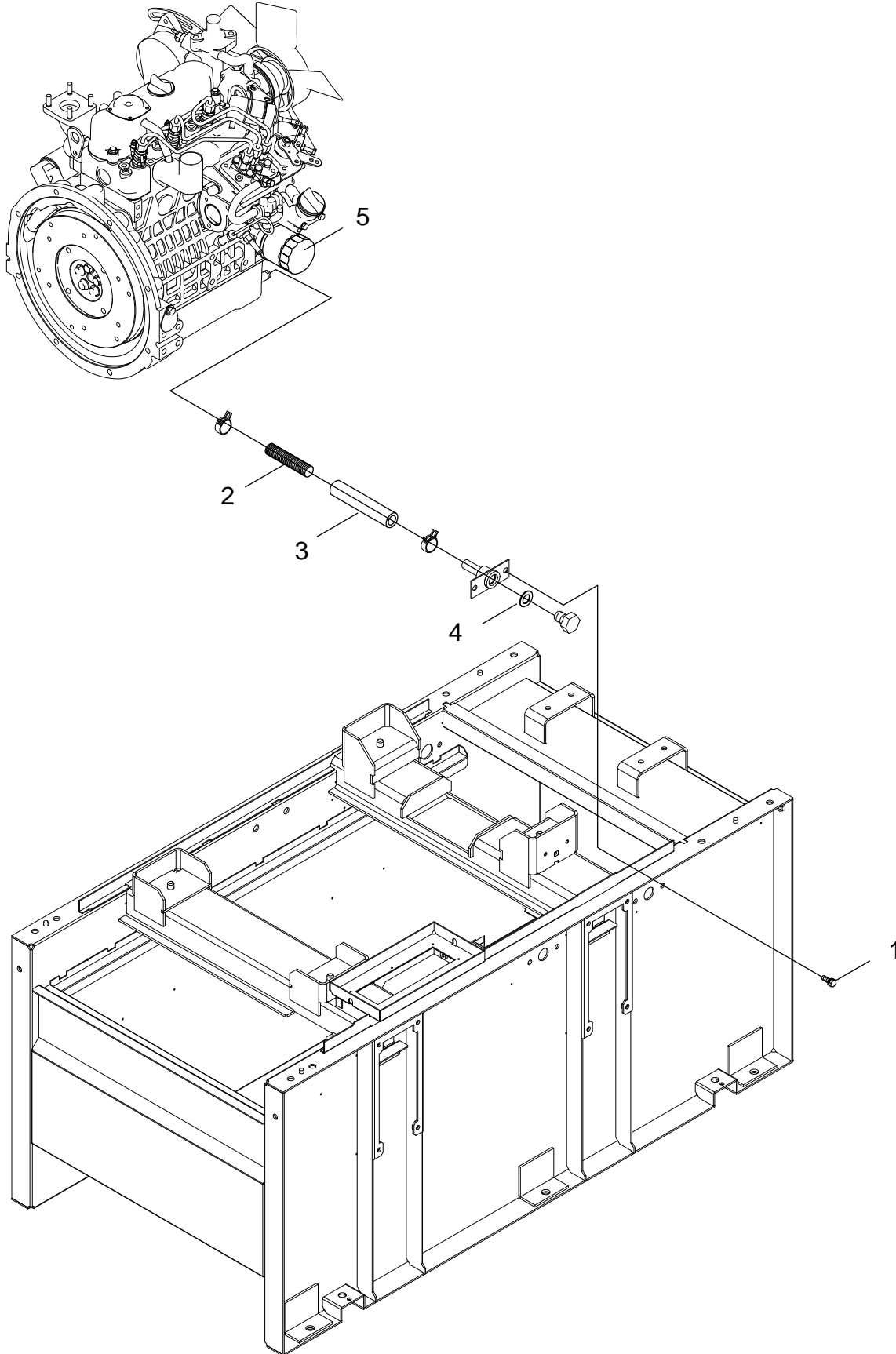


+ Denotes item is part of an assembly
 ++ Denotes item is part of a sub-assembly

FUEL LINES, RELATED COMPONENTS

NO.	PART NUMBER	QTY.	DESCRIPTION
1	E265000120	1	COCK
2	E237000140	2	ELBOW
3	V187000290	2	NIPPLE
4	V204001720	2	BOLT,6
5	V475005920	2	TUBE
6	K401000600	1	HOSE
7	K401000560	1	HOSE
8	V475008290	1	TUBE
9	V495001660	8	HOSE CLAMP
10	V475005520	1	TUBE
11	K401000290	1	HOSE
12	K401000600	1	HOSE
13	90021606014	2	SCREW 6*14
14	V187000110	2	NIPPLE
15	E328000110	2	DRAIN PLUG
16	C153000560	1	SOCKET
17	V205001340	2	BOLT,8
18	V476000180	1	TUBE
19	V476000290	1	TUBE
20	V476000330	1	TUBE
21	V475008390	1	TUBE
22	V476000210	1	TUBE
23	V475006320	1	TUBE
24	V475006000	1	TUBE
25	V475008070	1	TUBE
26	V476000460	1	TUBE
27	966170550	1	3-WAY VALVE - WATER SEDIMENTOR
28	966170600	1	TUBE, FUEL
29	966170150	1	MAGNET PUMP - FUEL FILTER
30	966170360	1	FUEL TUBE
31	966140300	1	ENGINE - T-JOINT
32	966140150	1	T-JOINT - JOINT PIPE
33	966170700	1	RADIATOR - T-JOINT
34	966140200	1	TUBE, FUEL
35	966140040	1	CHECK VALVE - FUEL FILTER
36	1G31533210	1	PIPE(OIL DRAIN)
37	1627143562	1	ASSY ELEMENT

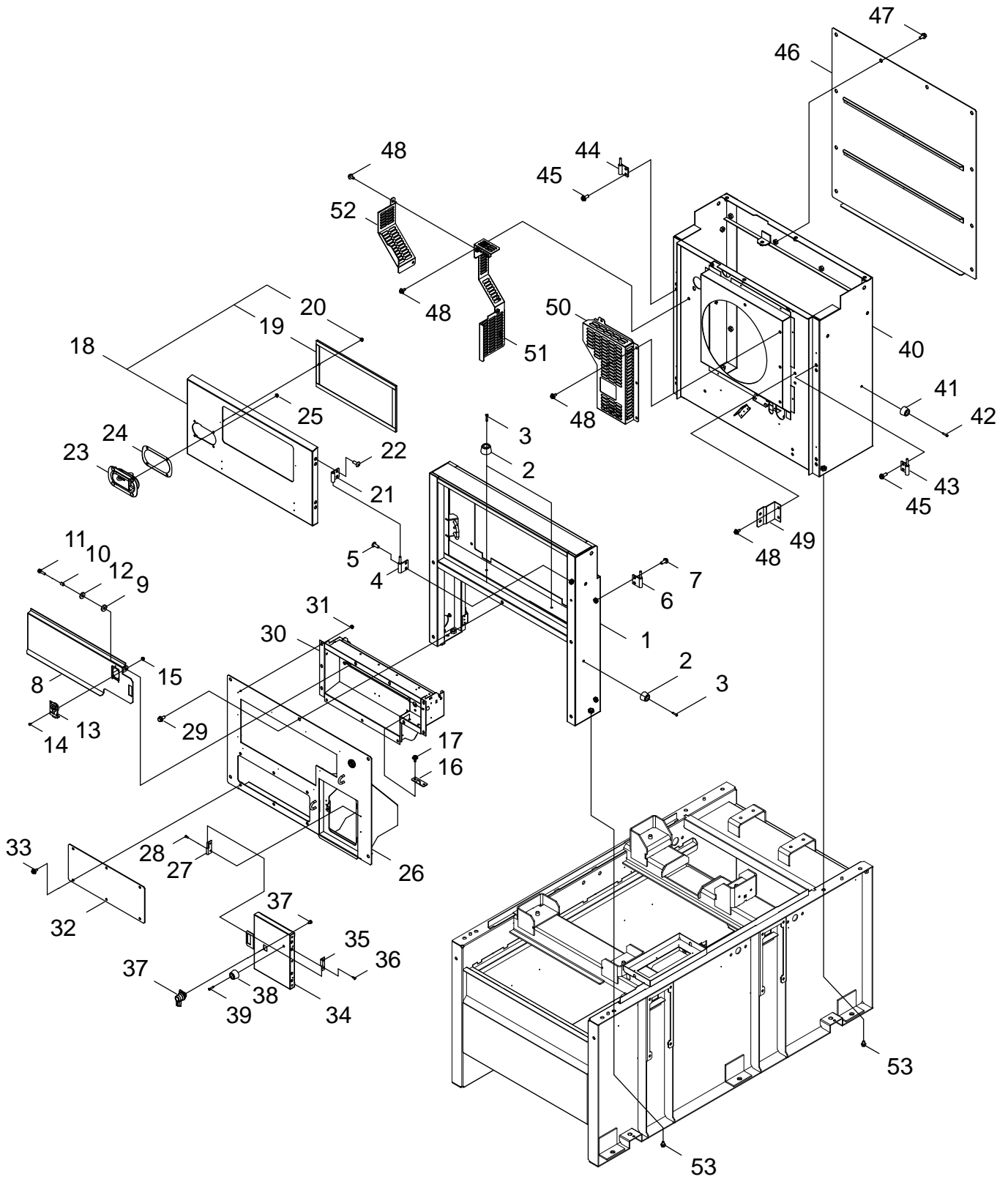
OIL LINES



OIL LINES

NO.	PART NUMBER	QTY.	DESCRIPTION	
1	V205001340	2	BOLT,8	
2	V475009750	1	TUBE	
3	1259733770	1	TUBE	
4	6C09058960	1	GASKET	
5	1J09032430	1	FILTER(CARTRIDGE, OIL)	

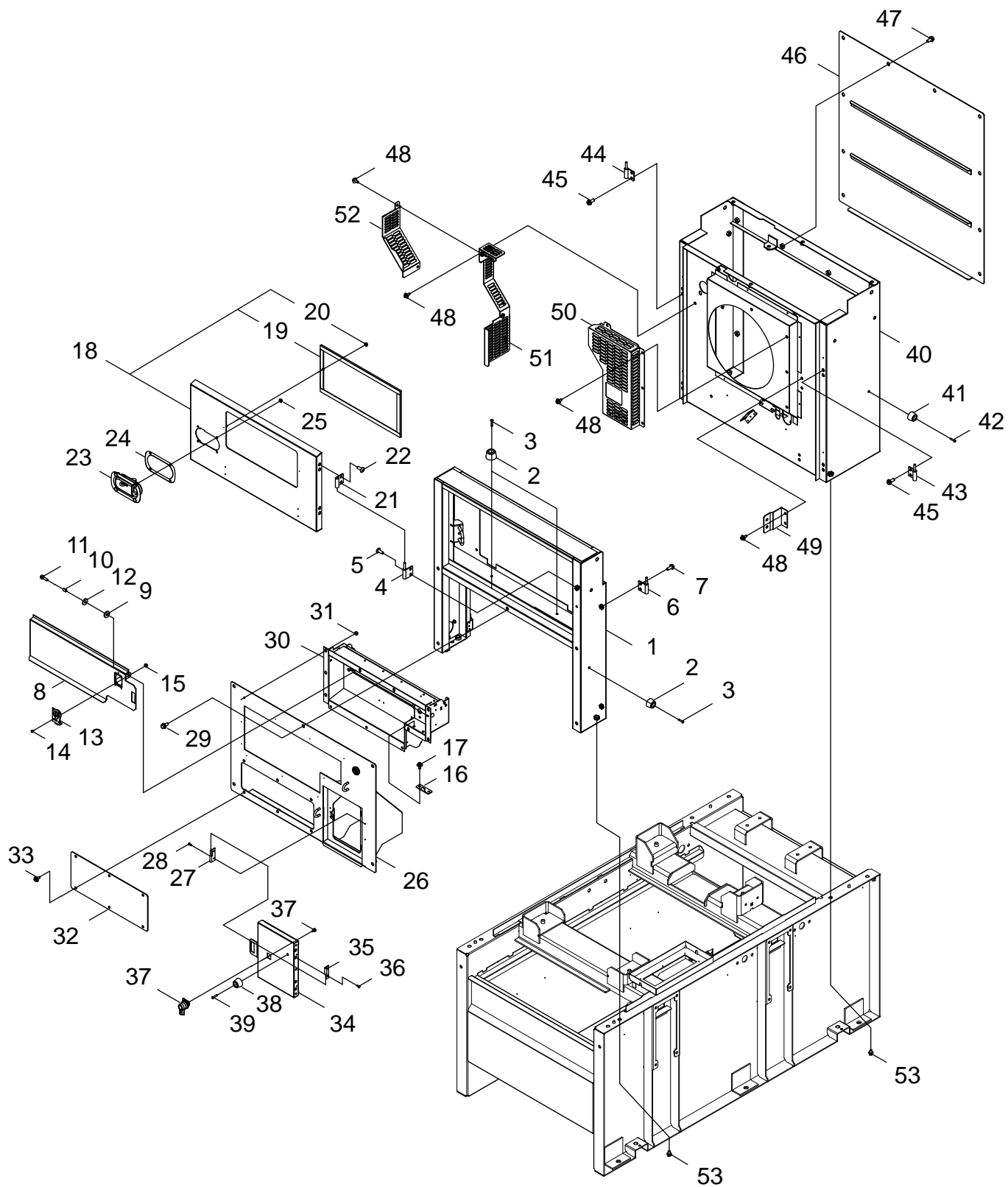
ENCLOSURE FRAME



ENCLOSURE FRAME

NO.	PART NUMBER	QTY.	DESCRIPTION	
1	J495001030	1	BONNET	
2	V420003070	4	STAND,RUBBER	
3	9138104020	4	SCREW,TAPPING	
4	J485000260	2	HINGE	
5	9131808020	4	SCREW TRUSS	
6	J485000250	2	HINGE	
7	V205001260	4	BOLT,8	
8	M472000530	1	COVER	
9	V420004810	2	CUSHION	
10	V375001020	2	COLLAR	
11	9103606025	2	BOLT SW	
12	V306000390	2	WASHER	
13	C390000050	1	LATCH	
14	9146303008	4	SCREW	
15	V261000010	4	FLANGE NUT	
16	C649000560	1	HOOK,LATCH HOLDER	
17	V204001610	2	BOLT,6	
18	M040000830	1	FRONT DOOR,ASM	
19	J425002351	1	+PANEL	
20	V263000330	2	+NUT, FLANGE M5	
21	J485000280	2	HINGE	
22	9131808020	4	SCREW TRUSS	
23	C701000420	1	LOCK COVER	
24	V542000120	1	SEAL	
25	V264000220	4	FLANGE NUT	
26	J503000211	1	PANEL	01000021-
27	J485000310	2	HINGE	
28	9144704012	4	SCREW,TAPPING	
29	V205001340	5	BOLT,8	
30	J431000151	1	BOX,CONTROL	01000021-
31	V264000220	11	FLANGE NUT	
32	J503000220	1	PANEL,FRONT CHECK	
33	V204001720	6	BOLT,6	
34	M471000190	1	COVER	
35	J485000330	2	HINGE	
36	9144704012	4	SCREW,TAPPING	
37	C701001110	1	PANEL	
38	V420003070	1	STAND,RUBBER	
39	9138104020	1	SCREW,TAPPING	
40	J495001040	1	BONNET	
41	V420003070	2	STAND,RUBBER	
42	9138104020	2	SCREW,TAPPING	
43	J485000260	2	HINGE	
44	J485000250	2	HINGE	
45	V205001260	8	BOLT,8	
46	J503000250	1	PANEL,REAR	

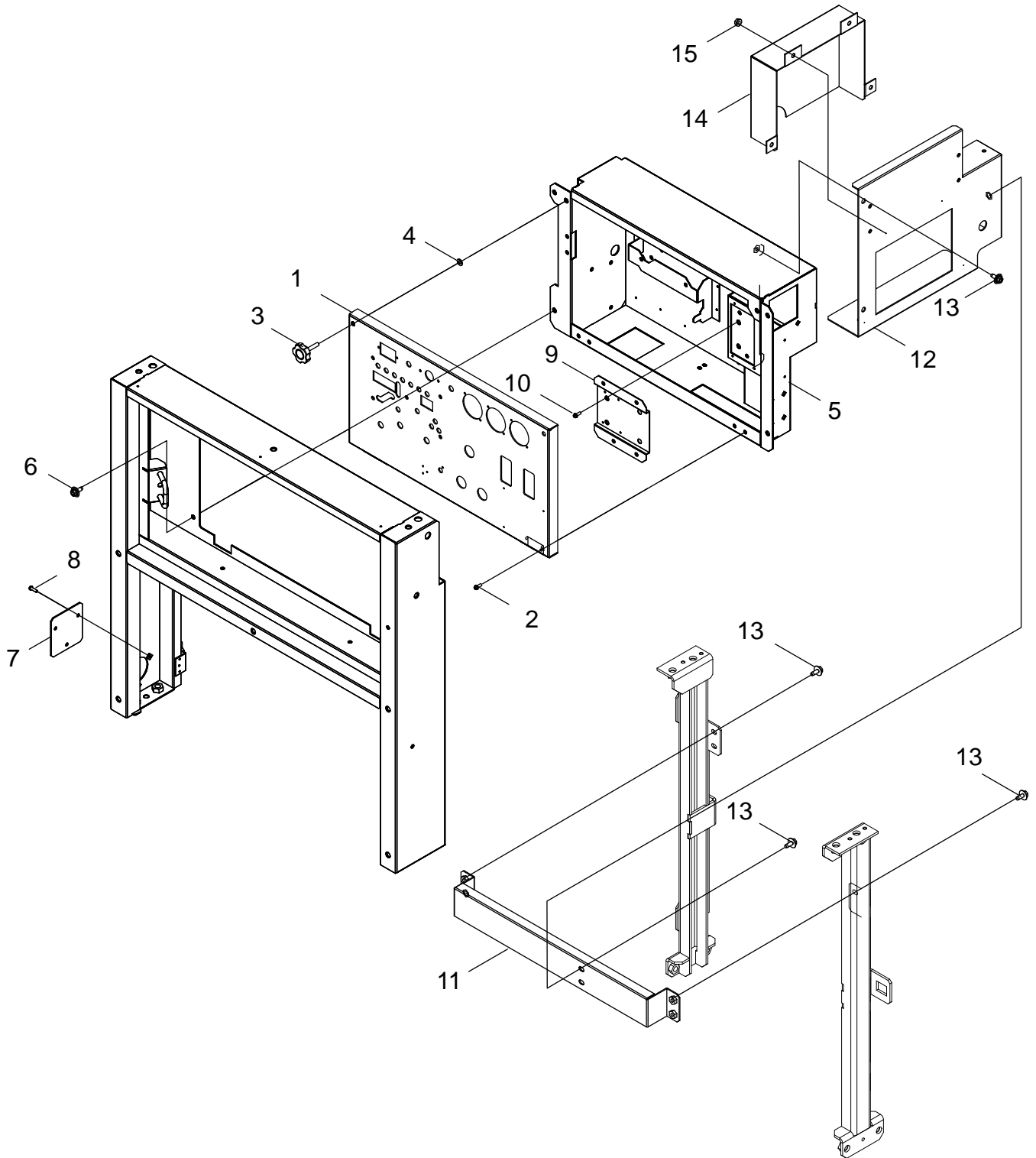
ENCLOSURE FRAME



ENCLOSURE FRAME

NO.	PART NUMBER	QTY.	DESCRIPTION	
47	V205001340	10	BOLT,8	
48	V204001720	11	BOLT,6	
49	C519004721	1	STAY	
50	J447000690	1	GUARD	
51	A172003700	1	COVER,FAN	
52	A172003050	1	COVER,FAN	
53	V206000720	8	BOLT,10	

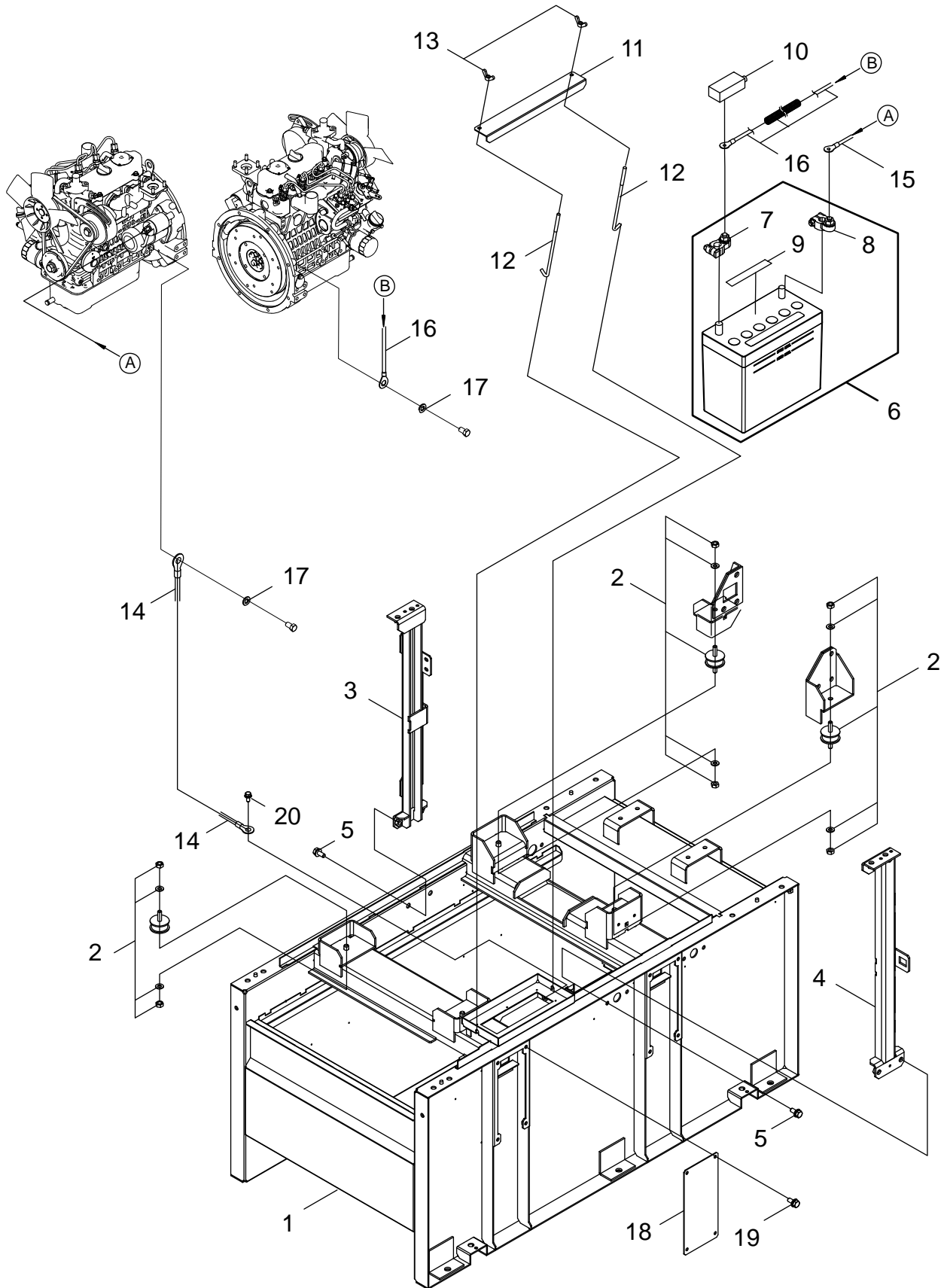
FRONT ENCLOSURE



FRONT ENCLOSURE

NO.	PART NUMBER	QTY.	DESCRIPTION	
1	C165000511	1	PANEL,OPERATION	
2	9156604012	4	SCREW SPW	
3	M613000020	2	KNOB	
4	V583000230	2	U RING	
5	J431000160	1	BOX,CONTROL	
6	V204001720	4	BOLT,6	
7	J503000230	1	PANEL	
8	9154204014	3	SCREW	
9	C528001020	1	STAY	
10	9103606016	4	BOLT SW	
11	C528001011	1	STAY	01000021-
12	J503000240	1	PANEL	
13	V204001720	8	BOLT,6	
14	M472000540	1	COVER	
15	V264000220	4	FLANGE NUT	

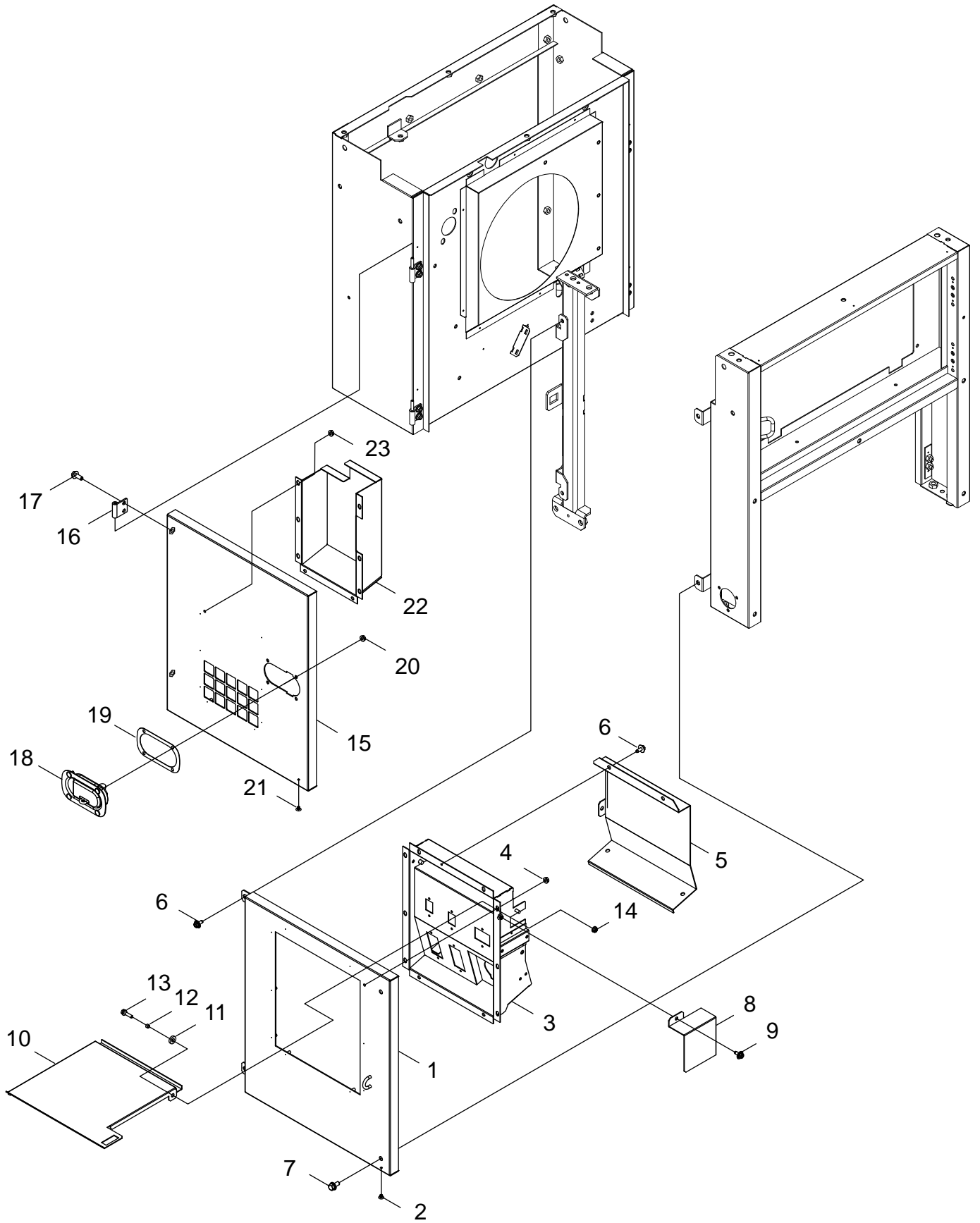
BASE FRAME



BASE FRAME

NO.	PART NUMBER	QTY.	DESCRIPTION	
1	J404001440	1	FRAME	
2	V420003140	4	AV RUBBER	
3	J415001261	1	STAY,BONNET	01000021-
4	J415001271	1	STAY,BONNET	01000021-
5	V206000720	4	BOLT,10	
6	V046000190	1	BATTERY,ASM	
7	G304000020	1	+TERMINAL - POSITIVE	
8	G304000030	1	+TERMINAL - NEGATIVE	
9	X505010410	1	+LABEL,CAUTION	
10	G305000030	1	TERMINAL CAP	
11	G303000290	1	HOLDER,BATTERY	
12	V240000150	2	BOLT, BATTERY	
13	9219008000	2	WING NUT	
14	M390000300	1	LEAD	
15	M386000340	1	LEAD	
16	M380000170	1	LEAD WIRE	
17	90061700010	2	WASHER, PB-400	
18	J503000270	4	PANEL,BED DUCT	
19	V204001720	16	BOLT,6	
20	V204001720	1	BOLT,6	

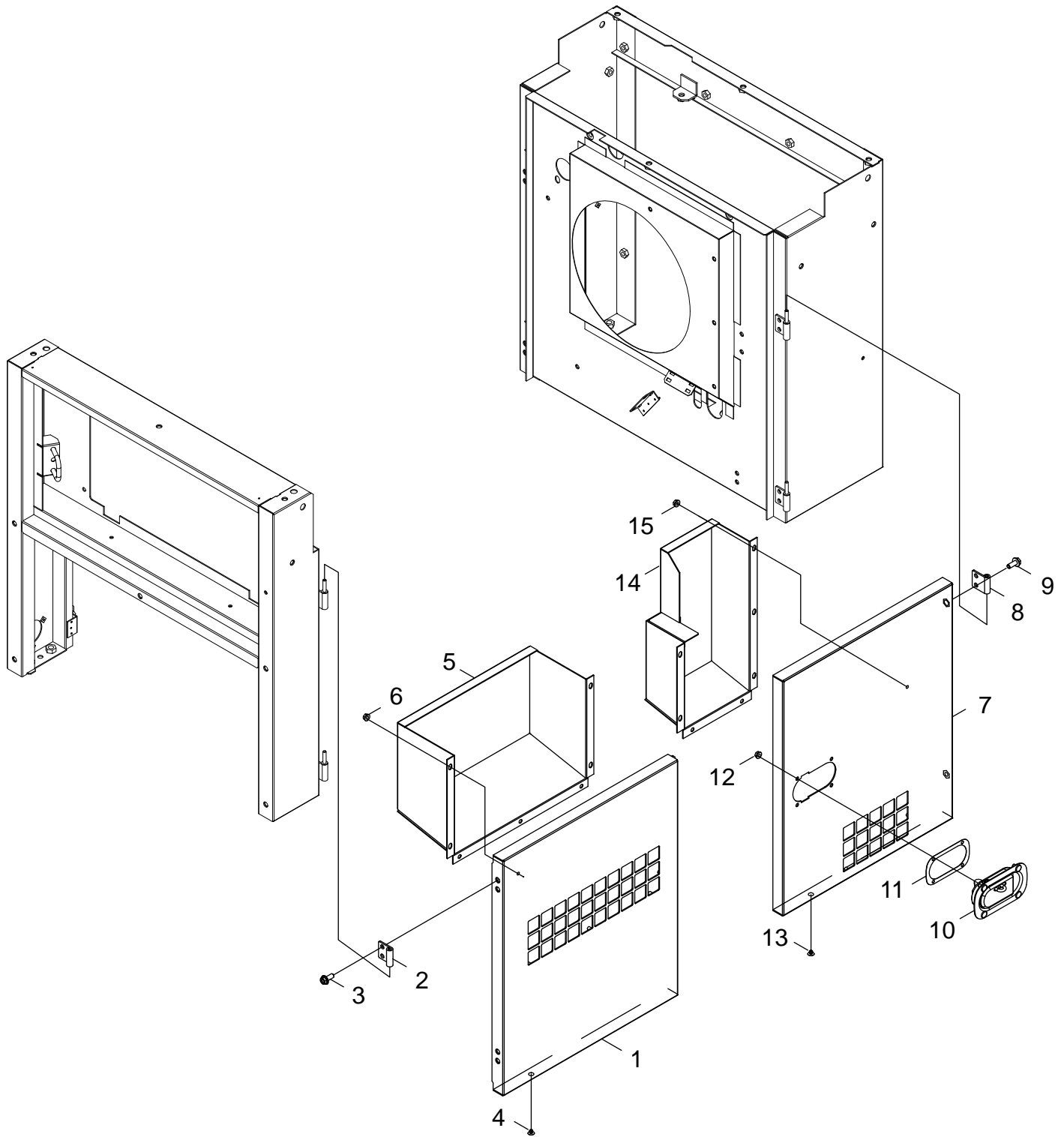
LEFT ENCLOSURE



LEFT ENCLOSURE

NO.	PART NUMBER	QTY.	DESCRIPTION
1	J503000260	1	PANEL,LEFT
2	V494000420	2	CAP
3	J431000170	1	BOX,CONTROL
4	V264000220	10	FLANGE NUT
5	M471000490	1	COVER
6	V204001720	7	BOLT,6
7	V205001340	2	BOLT,8
8	M471000500	1	COVER
9	V204001720	2	BOLT,6
10	M472000550	1	COVER,TERMINAL
11	V420003160	2	BUSH RUBBER
12	V353000530	2	COLLAR
13	9103606025	2	BOLT SW
14	V264000220	2	FLANGE NUT
15	M404001670	1	DOOR,LEFT REAR
16	J485000280	2	HINGE
17	V205001260	4	BOLT,8
18	C701000420	1	LOCK COVER
19	V542000120	1	SEAL
20	V264000220	4	FLANGE NUT
21	V162000520	2	PLUG
22	G129000140	1	DUCT,AIR DOOR-L REAR
23	V264000220	8	FLANGE NUT

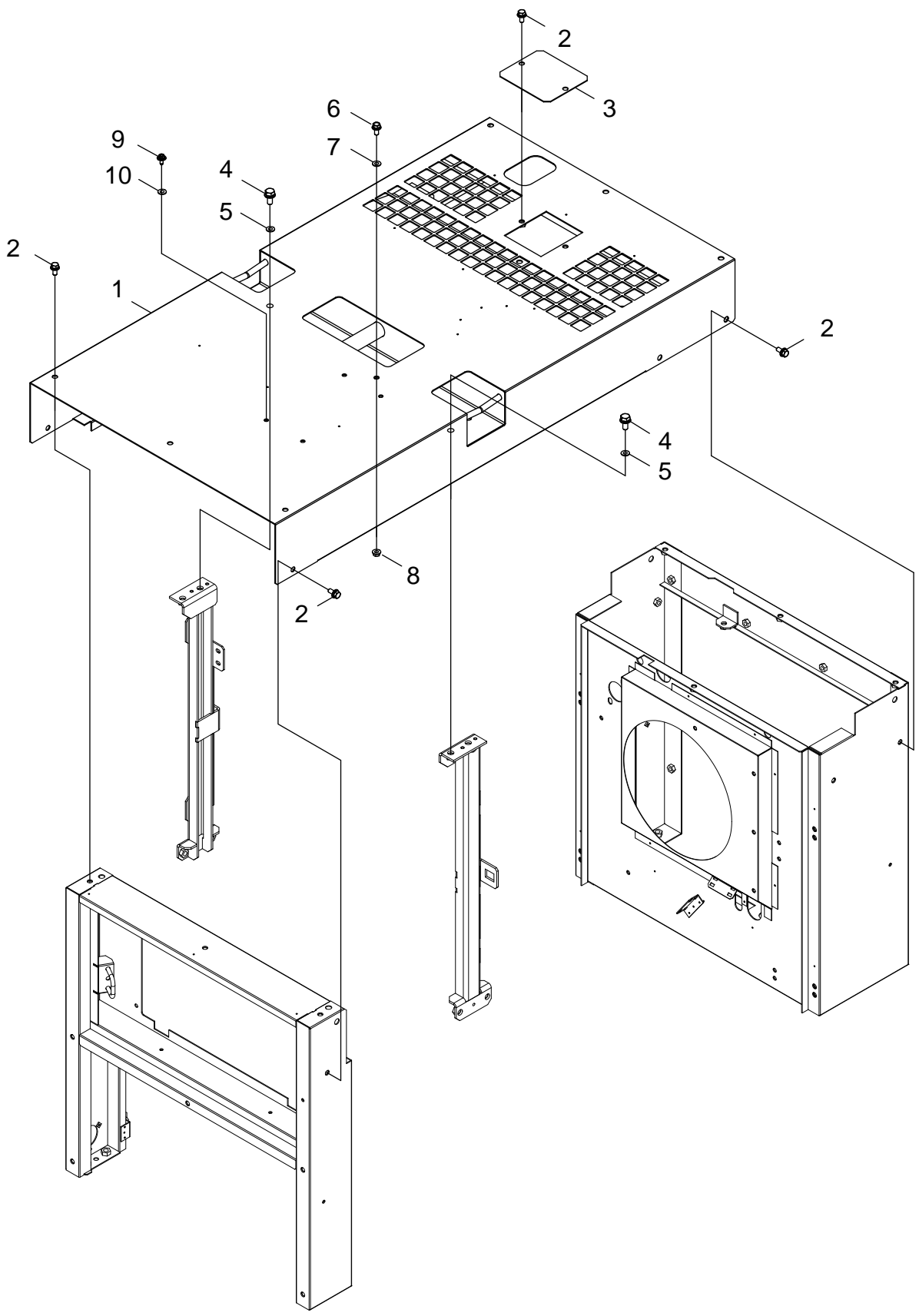
RIGHT ENCLOSURE



RIGHT ENCLOSURE

NO.	PART NUMBER	QTY.	DESCRIPTION
1	M407000760	1	DOOR,RIGHT
2	J485000280	2	HINGE
3	V205001260	4	BOLT,8
4	V162000520	2	PLUG
5	G129000120	1	DUCT,AIR DOOR-R FRONT
6	V264000220	7	FLANGE NUT
7	M407000770	1	DOOR,RIGHT REAR
8	J485000280	2	HINGE
9	V205001260	4	BOLT,8
10	C701000420	1	LOCK COVER
11	V542000120	1	SEAL
12	V264000220	4	FLANGE NUT
13	V162000520	2	PLUG
14	G129000130	1	DUCT,AIR DOOR-R REAR
15	V264000220	7	FLANGE NUT

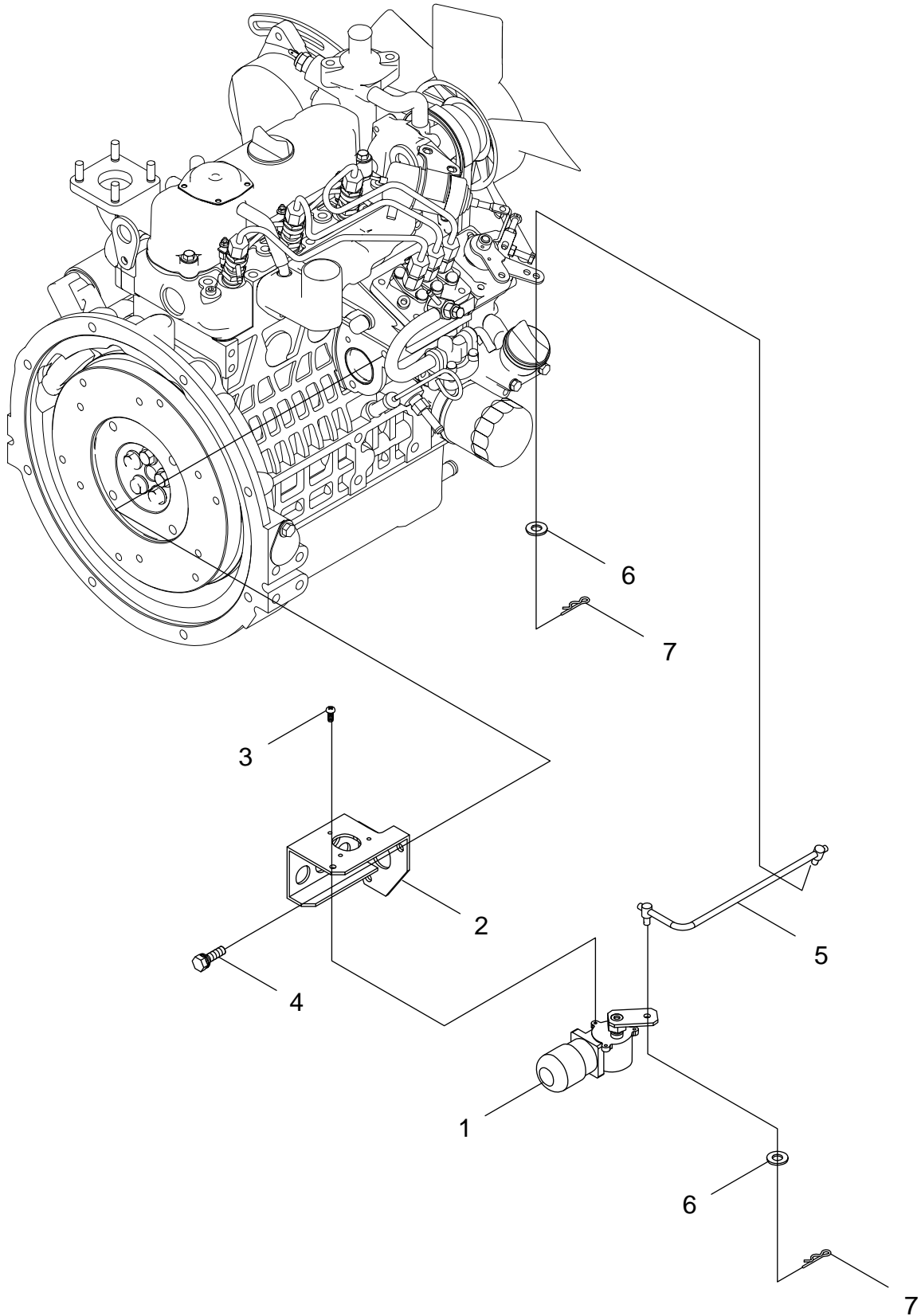
TOP ENCLOSURE



TOP ENCLOSURE

NO.	PART NUMBER	QTY.	DESCRIPTION	
1	J495001050	1	BONNET	
2	V205001340	15	BOLT,8	
3	J480001860	1	LID,COVER	
4	90010410025	4	BOLT	
5	V109000410	4	GASKET	
6	90010408015	1	BOLT	
7	V109000420	1	GASKET	
8	V265000290	1	FLANGE NUT	
9	90010406016	4	BOLT	
10	V109000430	4	GASKET	

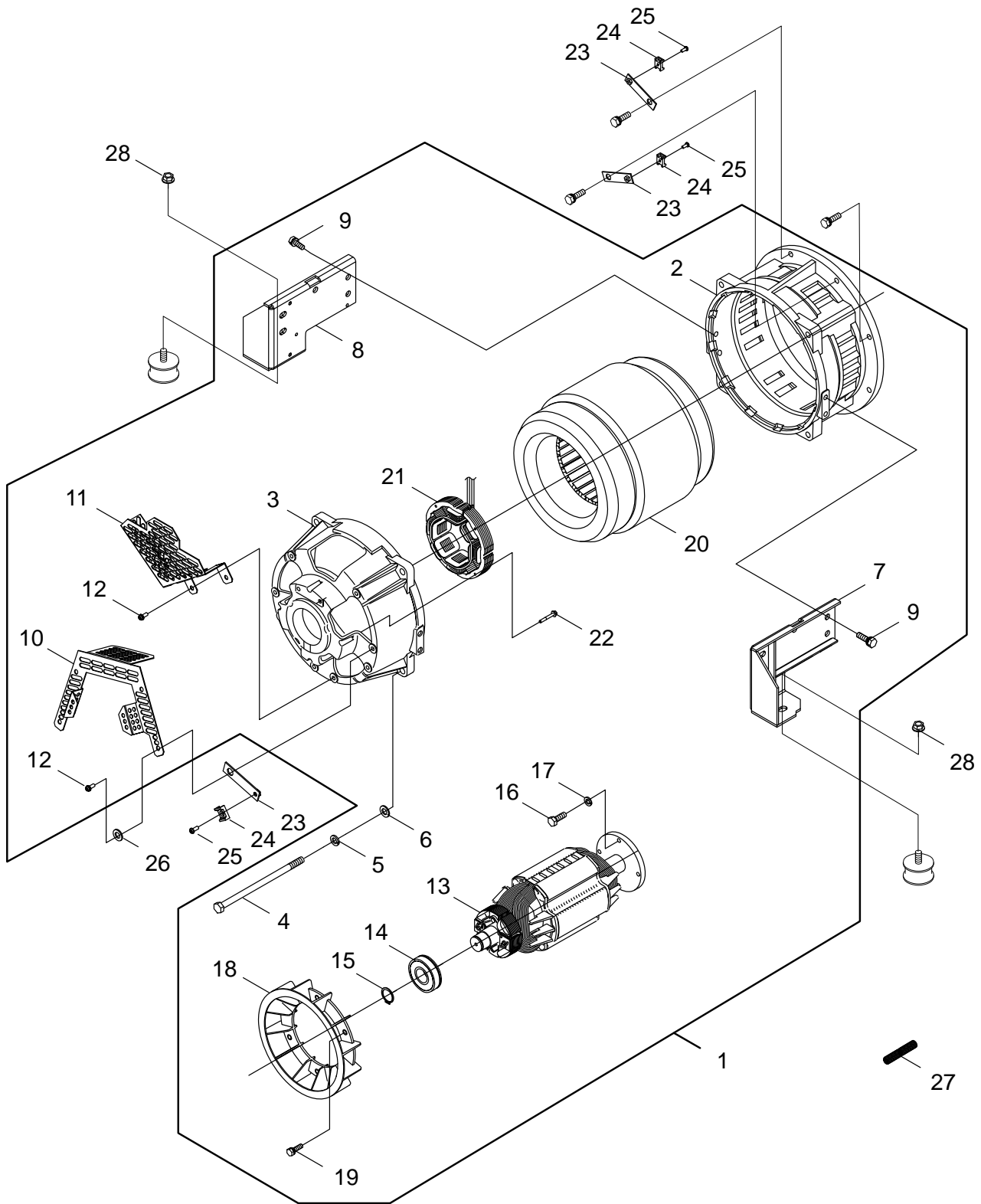
ENGINE PARTS



ENGINE PARTS

NO.	PART NUMBER	QTY.	DESCRIPTION	
1	G280000430	1	MOTOR	
2	C519004761	1	STAY	
3	9156403012	3	SCREW SW	
4	V205001170	2	BOLT,8	
5	C454000330	1	ROD	
6	90060200006	2	WASHER 6	
7	9300306000	2	SNAP PIN	

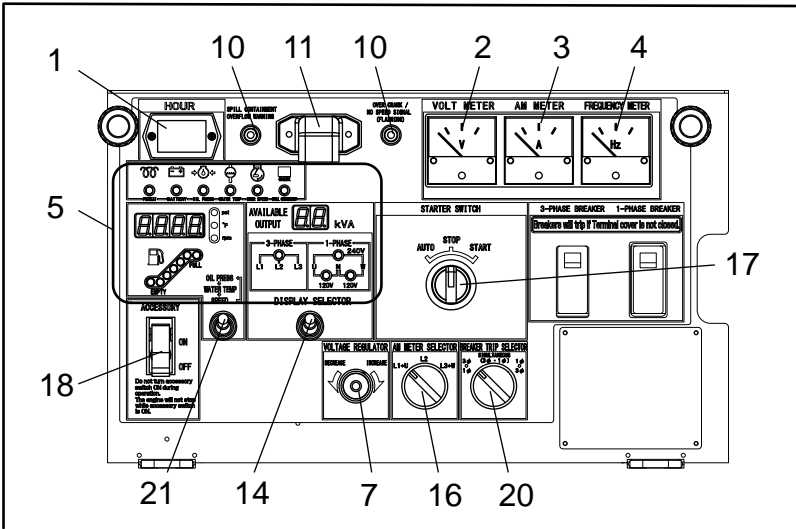
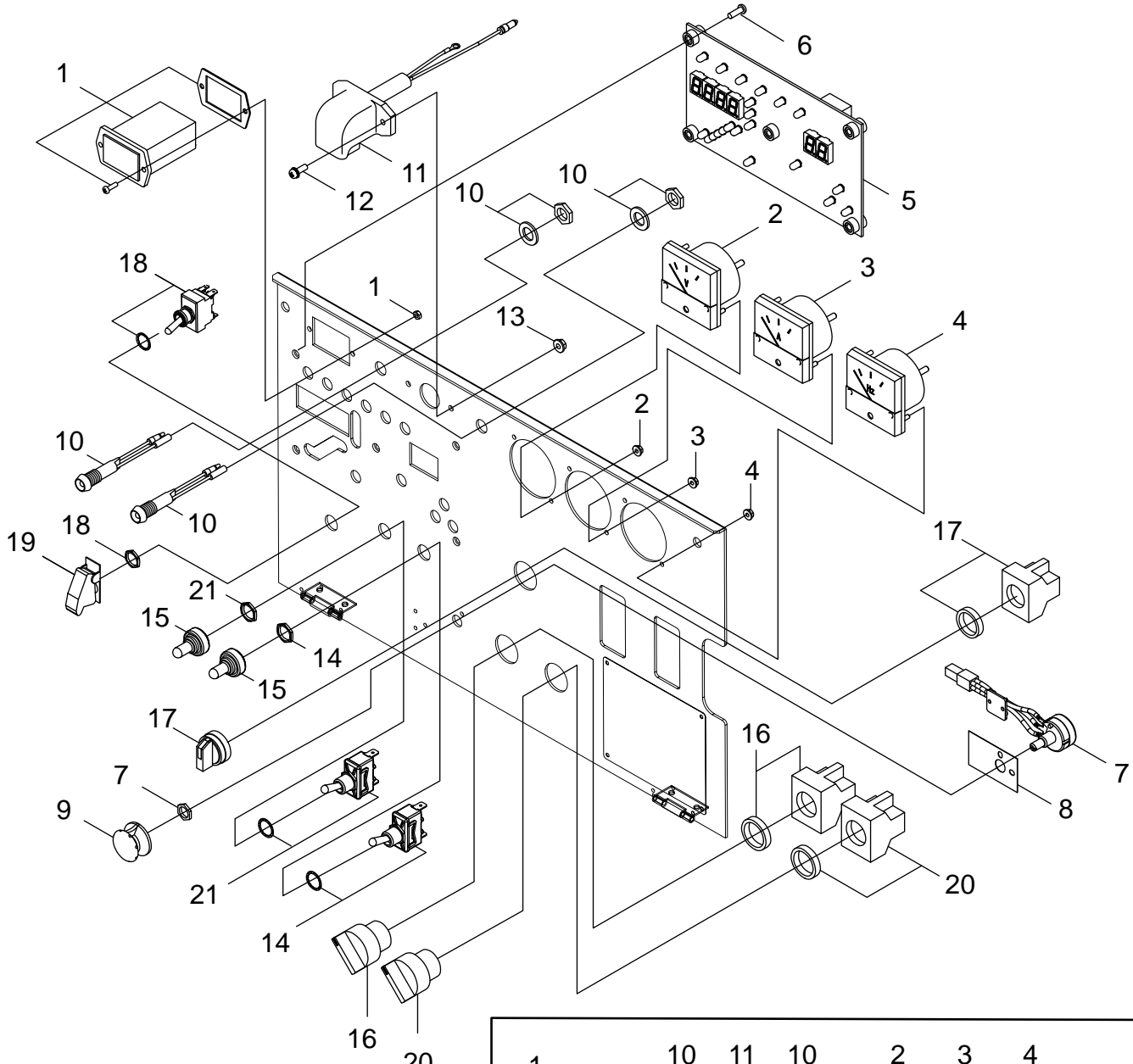
ALTERNATOR



ALTERNATOR

NO.	PART NUMBER	QTY.	DESCRIPTION
1	G020000060	1	GENERATOR
2	M305000680	1	+HOUSING
3	M305000690	1	+HOUSING
4	V207000290	4	+BOLT,12
5	90060500012	4	+SPRING WASHER
6	90061700012	4	+WASHER, 12
7	C527001220	1	+STAY
8	C527001230	1	+STAY
9	9102410030	8	+BOLT SPW
10	J447001350	1	+GUARD
11	J447001360	1	+GUARD
12	9156406016	8	+SCREW SW
13	M102000782	1	+ROTOR
14	V592000200	1	+BEARING,BALL
15	9242334000	1	+SNAP RING
16	9101410030	4	+BOLT
17	90060500010	4	+WASHER,SPRING 10
18	A171000091	1	+FAN,COOLING
19	90014708025	6	+BOLT, 8*25
20	M106001440	1	+STATOR
21	M106001270	1	+STATOR
22	9102405040	4	+BOLT
23	C519002460	3	STAY
24	M416000010	4	TIE MOUNT
25	9134305012	4	SCREW
26	90060000008	1	WASHER 8
27	V476001130	1	TUBE
28	V268000060	2	FLANGE NUT

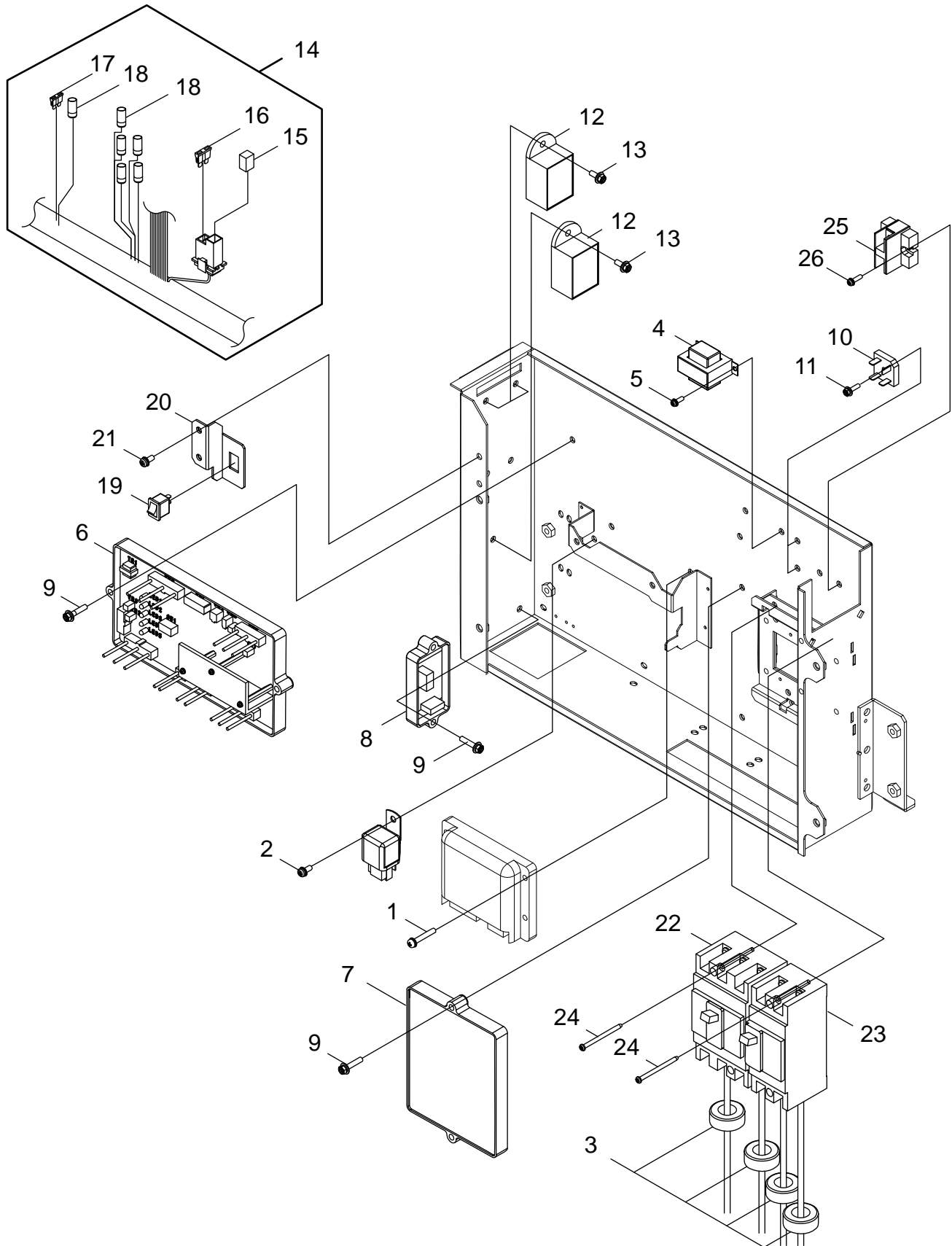
MAIN CONTROL PANEL



MAIN CONTROL PANEL

NO.	PART NUMBER	QTY.	DESCRIPTION
1	G319000190	1	METER,HOUR
2	M109000100	1	METER
3	M109000400	1	METER
4	M109000410	1	METER
5	G370003020	1	UNIT,CONTROL CURRENTDETECTION
6	9146104012	5	SCREW
7	M112000160	1	VOLUME
8	M702000050	1	INS PAPER
9	E145000060	1	DIAL
10	G327000700	2	LAMP,PILOT
11	G327000400	1	LAMP,PILOT
12	90023804016	2	SCREW 4x16
13	V262000190	2	FLANGE NUT
14	A440001970	1	SWITCH,ON OFF
15	V494000910	2	CAP
16	G334001100	1	SWITCH
17	G334002060	1	SWITCH
18	G334001960	1	SWITCH
19	A447000140	1	COVER,SWITCH KNOB
20	G334001100	1	SWITCH
21	A440001970	1	SWITCH,ON OFF

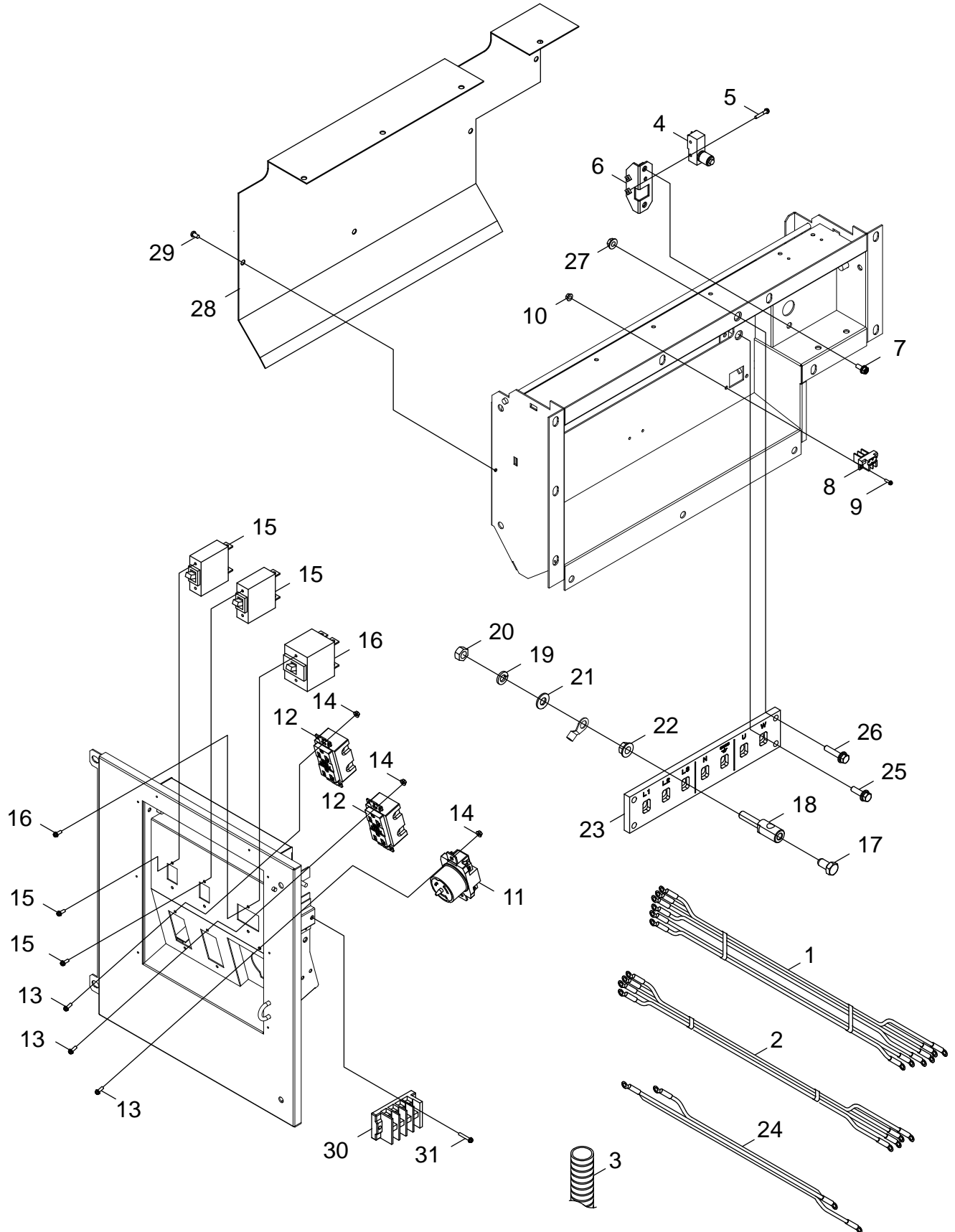
MAIN BREAKER AND CONTROL BOX



MAIN BREAKER AND CONTROL BOX

NO.	PART NUMBER	QTY.	DESCRIPTION
1	9156405020	4	SCREW SW
2	9156405012	1	SCREW SW
3	M108000190	4	CT,ASM
4	C163000040	1	TRANS
5	9156404012	2	SCREW SW
6	G370002172	1	UNIT,CONTROL
7	G370002541	1	UNIT,CONTROL
8	G370002401	1	UNIT,CONTROL DC12V
9	9103605025	6	BOLT SW
10	M105000000	2	RECTIFIER
11	9103604016	2	BOLT
12	G370000471	3	UNIT,CONTROL
13	9103705014	3	BOLT
14	G031006440	1	HARNESS,WIRE MAIN
15	G350000450	1	+FUSE
16	G350000400	1	+FUSE
17	G350000660	1	+FUSE,2A
18	G347000020	6	+DIODE
19	A440002650	1	SWITCH,ON OFF
20	C527001610	1	STAY
21	9156405012	2	SCREW SW
22	M111000270	1	BREAKER
23	M111001510	1	BREAKER
24	9146104050	4	SCREW
25	M308000620	1	BLOCK,TERMINAL
26	9156404016	2	SCREW SPW

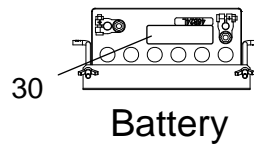
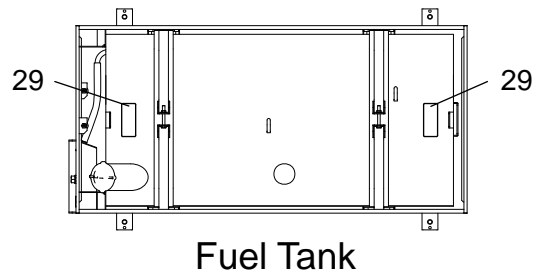
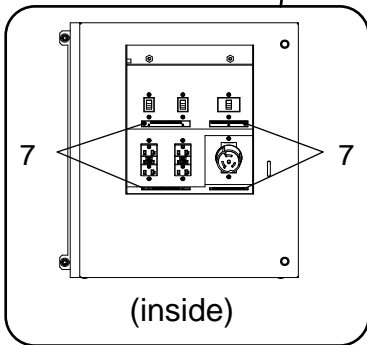
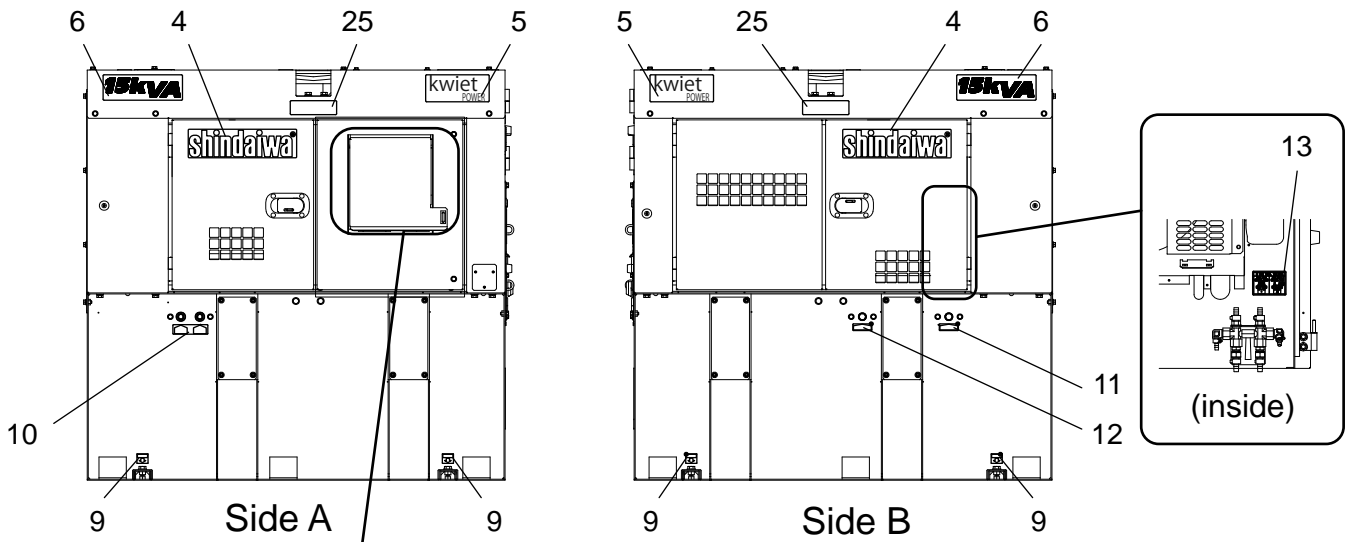
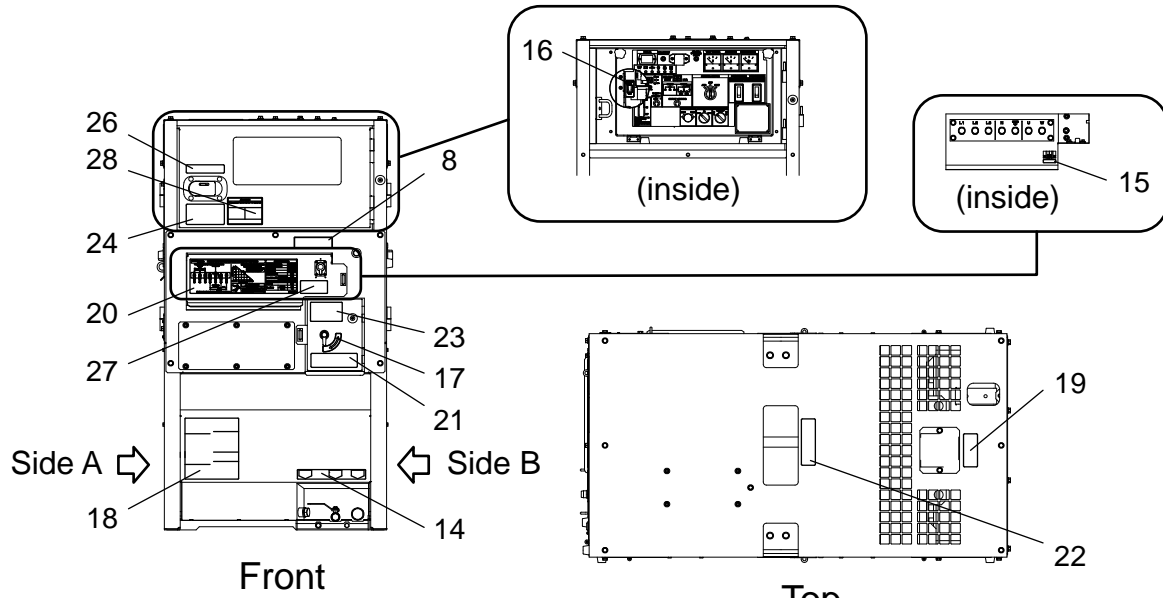
POWER OUTPUT TERMINALS



POWER OUTPUT TERMINALS

NO.	PART NUMBER	QTY.	DESCRIPTION
1	G363001080	1	HARNESS,WIRE THREE/SINGLE
2	G362001400	1	HARNESS,WIRE
3	V475005480	1	TUBE
4	A045000750	1	SWITCH, ON OFF
5	9156404025	2	SCREW SPW
6	C527001620	1	STAY
7	V204001610	2	BOLT,6
8	M308000680	1	BLOCK,TERMINAL
9	9156403012	2	SCREW SW
10	V261000010	2	FLANGE NUT
11	C154000170	1	PLUG SOCKET
12	C154000491	2	RECEPTACLE
13	9156404012	6	SCREW SW
14	V262000190	6	FLANGE NUT
15	C137000080	2	CIRCUIT PROTECTOR
16	C137000070	1	CIRCUIT PROTECTOR
17	V207000090	7	BOLT
18	V227000010	7	TERMINAL POST
19	90060500012	7	SPRING WASHER
20	9200512000	7	NUT
21	9222712000	7	WASHER
22	V268000060	7	FLANGE NUT
23	M307000400	1	PLATE,INST
24	M387000470	1	LEAD
25	90014708030	3	BOLT, 8*30
26	9102408040	1	BOLT SW
27	V265000290	1	FLANGE NUT
28	C557000660	1	PLATE,PROTECTION
29	V491000470	12	CLIP
30	M308000601	1	BLOCK,TERMINAL
31	9156404025	2	SCREW SPW

LABELS



LABELS

NO.	PART NUMBER	QTY.	DESCRIPTION
4	X504006320	2	LABEL,BRAND
5	M705001140	2	LABEL,FEATURE
6	X524005820	2	LABEL
7	X524006490	1	LABEL
8	M704002250	1	LABEL,INST
9	M707000380	4	LABEL,INST
10	M707000950	1	LABEL,INST
11	M707000790	1	LABEL,INST
12	M707000800	1	LABEL,INST
13	M709000430	1	LABEL,INST 3 WAY FUEL VALES
14	M709000030	1	LABEL,INST
15	M704003260	1	LABEL,INST
16	M707000430	1	LABEL,INST
17	M707000830	1	LABEL,INST
18	X505010910	1	LABEL,CAUTION
19	X505007840	1	LABEL,CAUTION
20	X564000600	1	LABEL,CAUTION ELECTRIC SHOCK
21	X505007650	1	LABEL,CAUTION
22	X505007550	1	LABEL,CAUTION
23	X505008400	1	LABEL,CAUTION
24	X505010400	1	LABEL,CAUTION
25	X505010920	2	LABEL,CAUTION
26	X505010800	1	LABEL,CAUTION
27	X564000370	1	LABEL,CAUTION
28	X505011430	1	LABEL,CAUTION
29	X505007820	2	LABEL,CAUTION
30	X505010410	1	LABEL,CAUTION