

# PARTS MANUAL



## **MODEL DCA40SSKU4F2 60HZ WHISPERWATT™ GENERATOR (KUBOTA V2403-CR-TIE4BG DIESEL ENGINE)**

**PARTS LIST NO. M1871300704**

Revision #0 (10/10/17)

To find the latest revision of this  
publication, visit our website at:  
[www.multiquip.com](http://www.multiquip.com)



**THIS MANUAL MUST ACCOMPANY THE EQUIPMENT AT ALL TIMES.**

## DCA40SSKU4F2 60 HZ GENERATOR

Table Of Contents.....	2
Parts Ordering Procedures.....	3
Explanation Of Code In Remarks Column.....	4
Suggested Spare Parts .....	5

### Component Drawings

Generator Assembly.....	6-7
Control Panel Assembly .....	8-9
Control Box Assembly .....	10-13
Engine And Radiator Assembly .....	14-17
Output Terminal Assembly .....	18-19
Battery Assembly .....	20-21
Muffler Assembly .....	22-23
Fuel Tank Assembly .....	24-25
Enclosure Assembly .....	26-31
Rubber Seals Assembly .....	32-33
Battery Charger Assembly (Option) .....	34-35
Engine Block Heating Element Assy. (Option)..	36-37
Nameplate And Decals Assembly .....	38-41

Terms And Conditions Of Sale — Parts .....	42
--	----

#### **NOTICE**

Specifications and part numbers are subject to change without notice.

# PARTS ORDERING PROCEDURES

## Ordering parts has never been easier! Choose from three easy options:

Effective:  
January 1<sup>st</sup>, 2006

www.multiquip.com



### Order via Internet (Dealers Only):

Order parts on-line using Multiquip's SmartEquip website!

- View Parts Diagrams
- Order Parts
- Print Specification Information



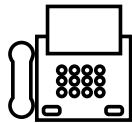
If you have an MQ Account, to obtain a Username and Password, E-mail us at: [parts@multiquip.com](mailto:parts@multiquip.com).

To obtain an MQ Account, contact your District Sales Manager for more information.

Goto [www.multiquip.com](http://www.multiquip.com) and click on **Order Parts** to log in and save!

Use the **internet** and qualify for a **5% Discount** on *Standard orders* for all orders which include complete part numbers.\*

Note: Discounts Are Subject To Change



### Order via Fax (Dealers Only):

All customers are welcome to order parts via Fax.

**Domestic (US) Customers dial:**  
1-800-6-PARTS-7 (800-672-7877)

**Fax** your order in and qualify for a **2% Discount** on *Standard orders* for all orders which include complete part numbers.\*

Note: Discounts Are Subject To Change



**Order via Phone: Domestic (US) Dealers Call:**  
1-800-427-1244

### Non-Dealer Customers:

Contact your local Multiquip Dealer for parts or call 800-427-1244 for help in locating a dealer near you.



**International Customers** should contact their local Multiquip Representatives for Parts Ordering information.

## When ordering parts, please supply:

- |   |  |
|---|--|
| <input type="checkbox"/> Dealer Account Number                                | <input type="checkbox"/> Specify Preferred Method of Shipment:                         |
| <input type="checkbox"/> Dealer Name and Address                              | <input checked="" type="checkbox"/> UPS/Fed Ex <input checked="" type="checkbox"/> DHL |
| <input type="checkbox"/> Shipping Address (if different than billing address) | <input type="checkbox"/> Priority One <input checked="" type="checkbox"/> Truck        |
| <input type="checkbox"/> Return Fax Number                                    | <input type="checkbox"/> Ground  |
| <input type="checkbox"/> Applicable Model Number                              | <input type="checkbox"/> Next Day  |
| <input type="checkbox"/> Quantity, Part Number and Description of Each Part   | <input type="checkbox"/> Second/Third Day  |

### NOTICE

All orders are treated as *Standard Orders* and will ship the same day if received prior to 3PM PST.

WE ACCEPT ALL MAJOR CREDIT CARDS!



# EXPLANATION OF CODE IN REMARKS COLUMN

The following section explains the different symbols and remarks used in the Parts section of this manual. Use the help numbers found on the back page of the manual if there are any questions.

## NOTICE

The contents and part numbers listed in the parts section are subject to change **without notice**. Multiquip does not guarantee the availability of the parts listed.

## SAMPLE PARTS LIST

NO.	PART NO.	PART NAME	QTY.	REMARKS
1	12345	BOLT .....	1	INCLUDES ITEMS W/%
2%		WASHER, 1/4 IN. ....		NOT SOLD SEPARATELY
2%	12347	WASHER, 3/8 IN. ...	1	MQ-45T ONLY
3	12348	HOSE .....	A/R	MAKE LOCALLY
4	12349	BEARING .....	1	S/N 2345B AND ABOVE

## NO. Column

**Unique Symbols** — All items with same unique symbol (@, #, +, %, or >) in the number column belong to the same assembly or kit, which is indicated by a note in the “Remarks” column.

**Duplicate Item Numbers** — Duplicate numbers indicate multiple part numbers, which are in effect for the same general item, such as different size saw blade guards in use or a part that has been updated on newer versions of the same machine.

## NOTICE

When ordering a part that has more than one item number listed, check the remarks column for help in determining the proper part to order.

## PART NO. Column

**Numbers Used** — Part numbers can be indicated by a number, a blank entry, or TBD.

TBD (To Be Determined) is generally used to show a part that has not been assigned a formal part number at the time of publication.

A blank entry generally indicates that the item is not sold separately or is not sold by Multiquip. Other entries will be clarified in the “Remarks” Column.

## QTY. Column

**Numbers Used** — Item quantity can be indicated by a number, a blank entry, or A/R.

A/R (As Required) is generally used for hoses or other parts that are sold in bulk and cut to length.

A blank entry generally indicates that the item is not sold separately. Other entries will be clarified in the “Remarks” Column.

## REMARKS Column

Some of the most common notes found in the “Remarks” Column are listed below. Other additional notes needed to describe the item can also be shown.

**Assembly/Kit** — All items on the parts list with the same unique symbol will be included when this item is purchased.

Indicated by:

“INCLUDES ITEMS W/(unique symbol)”

**Serial Number Break** — Used to list an effective serial number range where a particular part is used.

Indicated by:

“S/N XXXXX AND BELOW”

“S/N XXXX AND ABOVE”

“S/N XXXX TO S/N XXX”

**Specific Model Number Use** — Indicates that the part is used only with the specific model number or model number variant listed. It can also be used to show a part is NOT used on a specific model or model number variant.

Indicated by:

“XXXXX ONLY”

“NOT USED ON XXXX”

**“Make/Obtain Locally”** — Indicates that the part can be purchased at any hardware shop or made out of available items. Examples include battery cables, shims, and certain washers and nuts.

**“Not Sold Separately”** — Indicates that an item cannot be purchased as a separate item and is either part of an assembly/kit that can be purchased, or is not available for sale through Multiquip.

## SUGGESTED SPARE PARTS

### DCA40SSKU4F2 WHISPERWATT GENERATOR WITH KUBOTA V2403-CR-TIE4BG DIESEL ENGINE

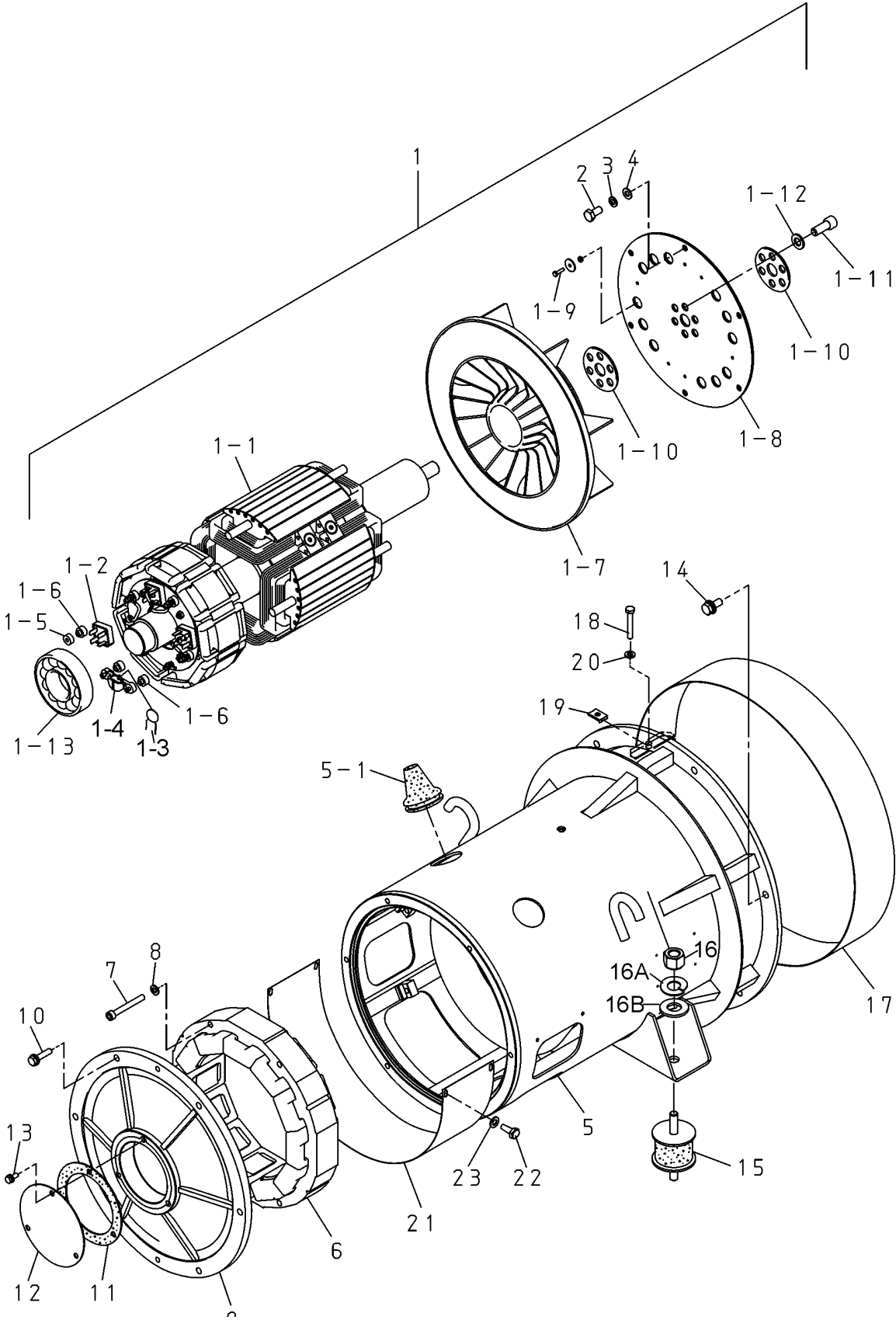
#### 1 to 3 units

Qty.	P/N	Description
1	M1311501803	RADIATOR HOSE, UPPER
1	M1311501403	RADIATOR HOSE, LOWER
5	7000032091	CARTRIDGE, OIL FILTER
5	1J52143171	CARTRIDGE, FUEL FILTER
5	1J43043061	CARTRIDGE, WATER SEPARATOR
5	R140142270	ELEMENT, AIR CLEANER (OUTER)
5	R240142280	ELEMENT, AIR CLEANER (INNER)
1	82608	AUTO START/STOP SWITCH
3	0601831395	ENGINE SPEED SWITCH
1	0601820608	AUTOMATIC VOLTAGE REGULATOR
1	0601840073	RHEOSTAT VOLTAGE REGULATOR
1	0601840100	KNOB, RHEOSTAT
2	0605505070	FUEL TANK CAP
3	Y0602011476	FAN BELT
1	0601870440	CIRCUIT BREAKER, 1P 20A
1	0601870441	CIRCUIT BREAKER, 2P 50A
1	LY2DUS12VDC	RELAY
2	0601806642	FUSE, 5A
2	0601806645	FUSE, 10A
2	Y0601806647	FUSE, 25A
2	Y0601872530	FUSE, 45A

#### NOTICE

Part numbers on this Suggested Spare Parts list may supersede/replace the part numbers shown in the following parts lists.

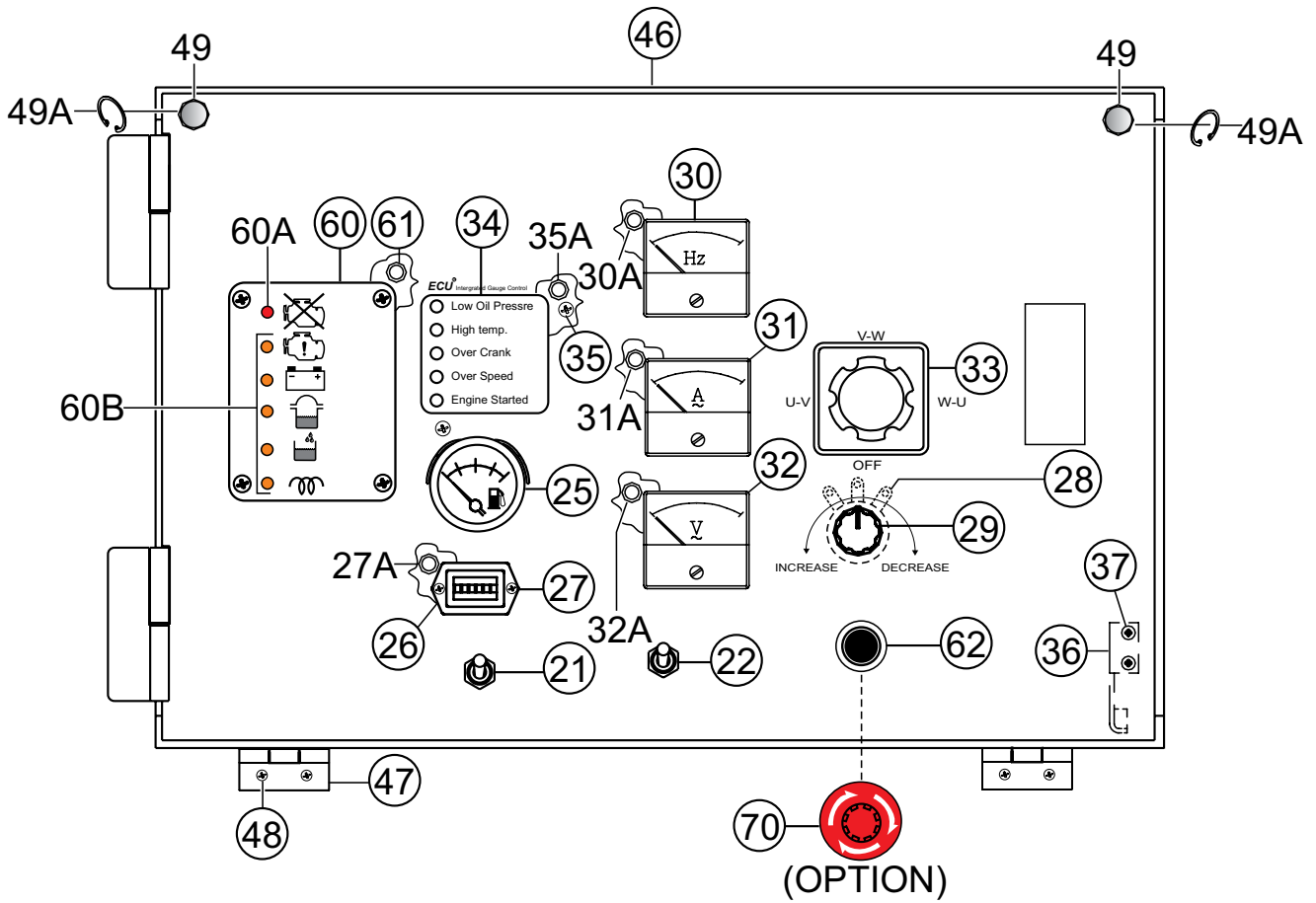
# GENERATOR ASSY.



## GENERATOR ASSY.

<u>NO.</u>	<u>PART NO.</u>	<u>PART NAME</u>	<u>QTY.</u>	<u>REMARKS</u>
1	B3110100802	ROTOR ASSEMBLY .....	1.....	INCLUDES ITEMS W/#
1-1#		FIELD ASSEMBLY	1	
1-2#	0601820083	RECTIFIER	3	
1-3#	0601822664	ZNR , SURGE ABSORBER	1	
1-4#	B3120100804	HOLDER, ZNR	1	
1-5#	B3120100604	INSULATOR WASHER	3	
1-6#	B3120100704	INSULATOR WASHER	5	
1-7#	B3111100603	FAN	1	
1-8#	B3163100204	COUPLING DISK.....	3.....	PURCHASE 1-9 AT SAME TIME
1-9#	Y0019104016	HEX. HEAD BOLT	1	
1-9A#	B4163700004	BALANCING WEIGHT	1	
1-9B#	Y0204104000	U-NUT	1	
1-10#	B3163200104	COUPLING WASHER	2	
1-11#	0342612030	HEX. SOCKET HEAD CAP SCREW	6	
1-12#	0046512000	WASHER, FLAT	6	
1-13#	0071906309	BEARING	1	
2#	014208020	HEX. HEAD BOLT.....	6.....	REPLACES P/N 0010308020
3#	0040008000	WASHER, LOCK	6	
4#	0401450080	WASHER, FLAT .....	6.....	REPLACES P/N 0041208000
5	B3130101003	STATOR ASSEMBLY	1	
5-1	0845041904	GROMMET	2	
6	B3137000803	FIELD ASSEMBLY, EXCITER	1	
7	0016008060	HEX. SOCKET HEAD CAP SCREW	4	
8	0042508000	WASHER, LOCK	4	
9	B3153000513	END BRACKET	1	
10	0017108035	HEX. HEAD BOLT	6	
11	B3153400504	PACKING	1	
12	B3153400404	COVER, BEARING	1	
13	0017106016	HEX. HEAD BOLT	3	
14	0012410025	HEX. HEAD BOLT	6	
15	Y0605000461	RUBBER SUSPENSION	2	
16	0030012000	HEX. NUT	2	
16A	0040012000	WASHER, LOCK	2	
16B	031112230	WASHER, FLAT .....	2.....	REPLACES P/N 0041212000
17	B5131300004	COVER. END BRACKET	1	
18	0340406040	HEX. HEAD BOLT	1	
19	020106050	U-NUT.....	1.....	REPLACES P/N 0600815000
20	952404470	WASHER, FLAT .....	1.....	REPLACES P/N 0041206000
21	B3131300804	COVER, END BRACKET	1	
22	0029205012	MACHINE SCREW	4	
23	0401450050	WASHER, FLAT .....	4.....	REPLACES P/N 0041205000

# CONTROL PANEL ASSY.

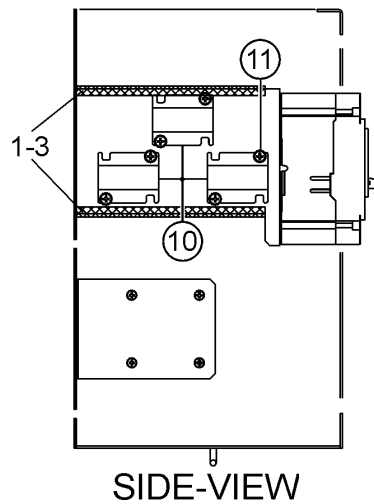
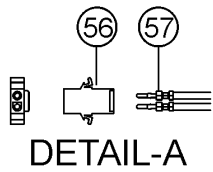
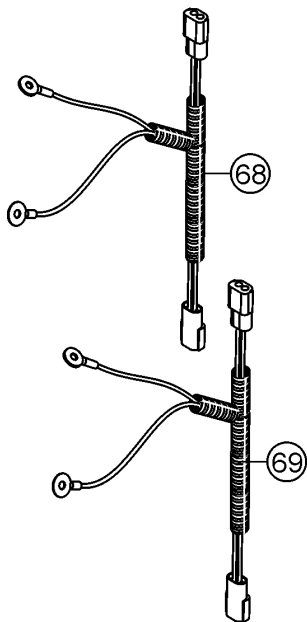
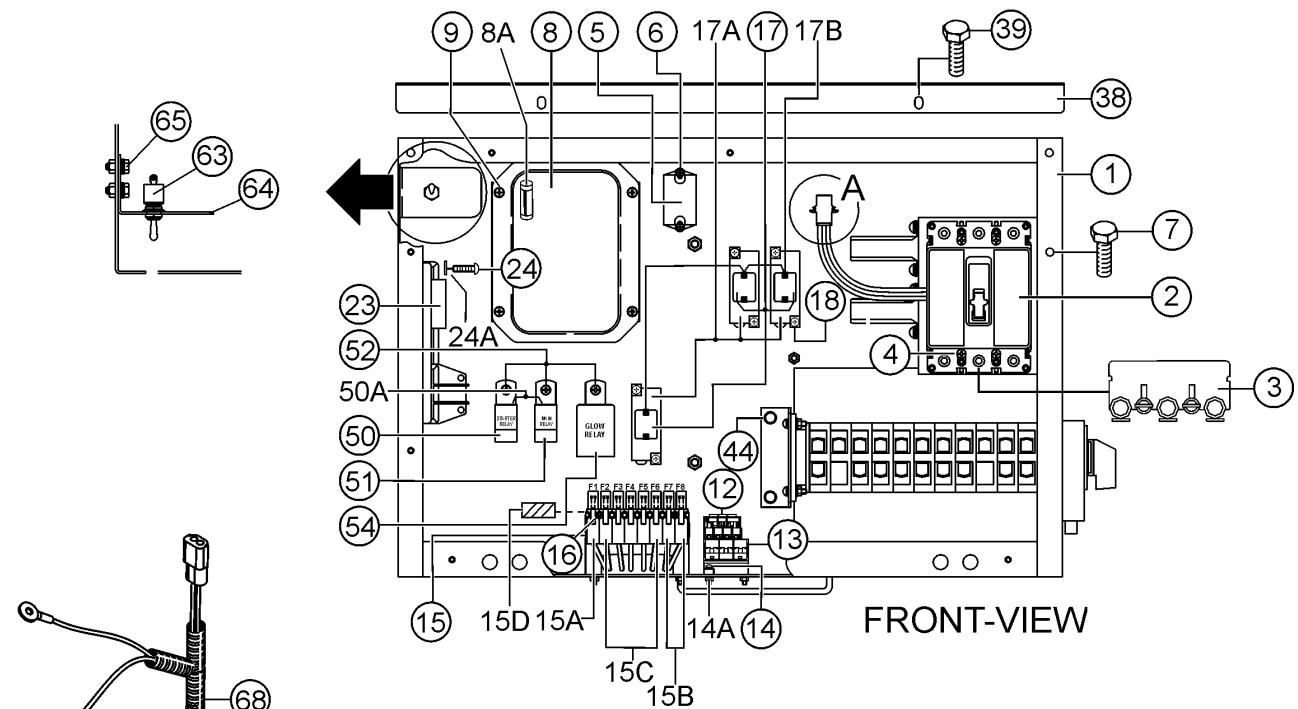
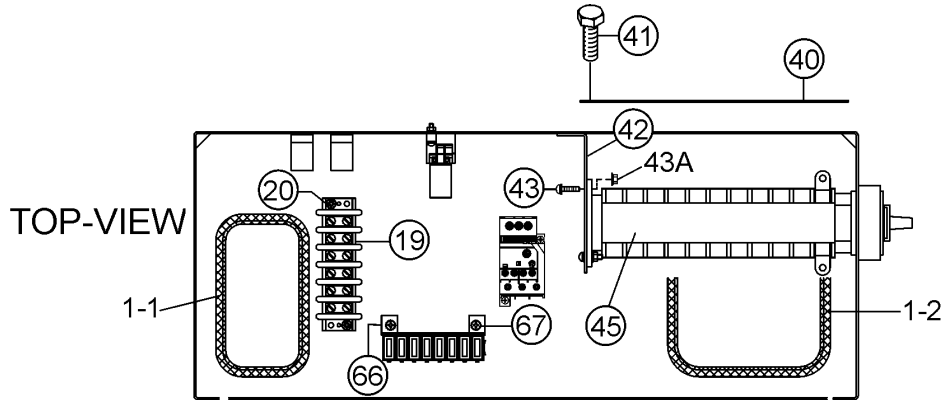




## CONTROL PANEL ASSY.

<u>NO.</u>	<u>PART NO.</u>	<u>PART NAME</u>	<u>QTY.</u>	<u>REMARKS</u>
21	82608	AUTO START/STOP SWITCH .....	1.....	REPLACES P/N 0601831340
22	0601831395	ENGINE SPEED SWITCH	1	
25	0602125090	FUEL GAUGE	1	
26	0601800682	HOUR METER	1	
27	0027103015	MACHINE SCREW	2	
27A	0207003000	SELF-LOCKING NUT	2	
28	0601840073	RHEOSTAT VOLT. REGULATOR 2W 1K Ω	1	
29	0601840100	KNOB.....	1.....	REPLACES P/N 0601840121
30	0601807641	FREQUENCY METER, 45~65HZ 240V .....	1.....	REPLACES P/N Y0601807631
30A	0207003000	SELF-LOCKING NUT	2	
31	0601808986	AC AMMETER, 0~75A. 0~150A/5A.....	1.....	REPLACES P/N Y0601817033
31A	0207003000	SELF-LOCKING NUT	2	
32	0601806947	AC VOLTMETER, 0~600V	1	
32A	0207003000	SELF-LOCKING NUT	2	
33	0601801040	CHANGE-OVER SWITCH, AMMETER	1	
34	Y0602203000	CONTROLLER	1	
35	0021004040	MACHINE SCREW	2	
35A	OEMAA8	SELF-LOCKING NUT .....	2.....	REPLACES P/N 0207004000
36	M1224100104	STOPPER	1	
37	0027105010	MACHINE SCREW	2	
46	M1224000303	CONTROL PANEL	1	
47	M9110100404	HINGE	2	
48	0027105010	MACHINE SCREW	4	
49	M9220100004	SET SCREW	2	
49A	0080200007	E-SNAP RING	2	
60	M1224200104	MOUNTING PLATE INDICATOR	1	
60A	Y0601814114	LED	1	
60B	Y0601814116	LED	1	
61	Y0207006000	SELF-LOCKING NUT	4	
62	Y0601850263	GROMMET	1	
70	EE55989	E-STOP SWITCH .....	1.....	OPTION

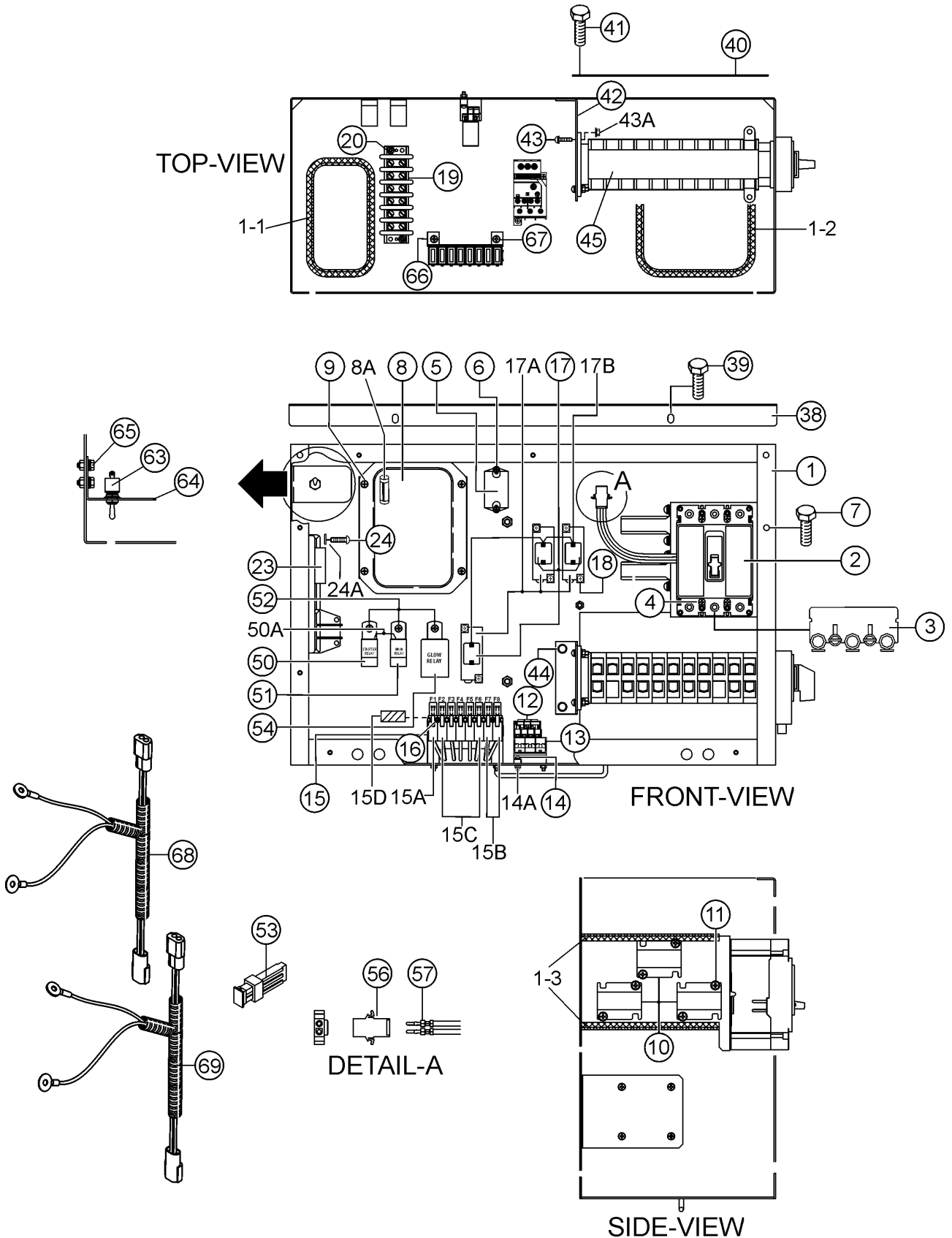
# CONTROL BOX ASSY.



## CONTROL BOX ASSY.

<u>NO.</u>	<u>PART NO.</u>	<u>PART NAME</u>	<u>QTY.</u>	<u>REMARKS</u>
1	M1214000912	CONTROL BOX	1	
1-1	Y0411100425	EDGE TRIM	1	
1-2	Y0411100555	EDGE TRIM	1	
1-3	Y0411100190	EDGE TRIM	2	
2	0601870431	CIRCUIT BREAKER, 3P 110A 12VDC	1	
3	0601870490	END CAP KIT	2	
4	0021004040	MACHINE SCREW	4	
5	0601823863	RELAY UNIT	1	
6	0027104015	MACHINE SCREW	2	
7	0016906015	HEX. HEAD BOLT	10	
8	0601820608	AUTOMATIC VOLTAGE REGULATOR	1	
8A	Y0601806683	FUSE, 250V 8A	1	
9	0027105015	MACHINE SCREW	4	
10	Y0601809693	CURRENT TRANSFORMER, 150:5A	3	
11	011808015	MACHINE SCREW .....	6.....	REPLACES P/N 0027106015
12	Y0601820839	OVER CURRENT RELAY	1	
13	Y0601820844	OVER CURRENT RELAY BASE	1	
14	0027103020	MACHINE SCREW	2	
14A	0207003000	SELF-LOCKING NUT	2	
15	M1214600404	FUSE BOX	1	
15A	Y0601806647	FUSE, 25A	1	
15B	0601806645	FUSE, 10A	2	
15C	0601806642	FUSE, 5A	5	
15D	M9501400704	DECAL; FUSE HOLDER	1	
16	Y0027203035	MACHINE SCREW	2	
17	LY2DUS12VDC	RELAY, LY-2D DC12V .....	3.....	REPLACES P/N 0601827656
17A	PTF08A	BASE, PTF08A-E.....	3.....	REPLACES P/N 0601823109
17B	PYCA1	CLIP, PYC-A1.....	6.....	REPLACES P/N 0601824400
18	0027104020	MACHINE SCREW	6	
19	Y0601816411	TERMINAL BLOCK	1	
20	0027104020	MACHINE SCREW	2	
23	1H12860301	ECU	1	
24	0027208025	MACHINE SCREW	4	
24A	0401450080	WASHER, FLAT .....	4.....	REPLACES P/N 0041208000

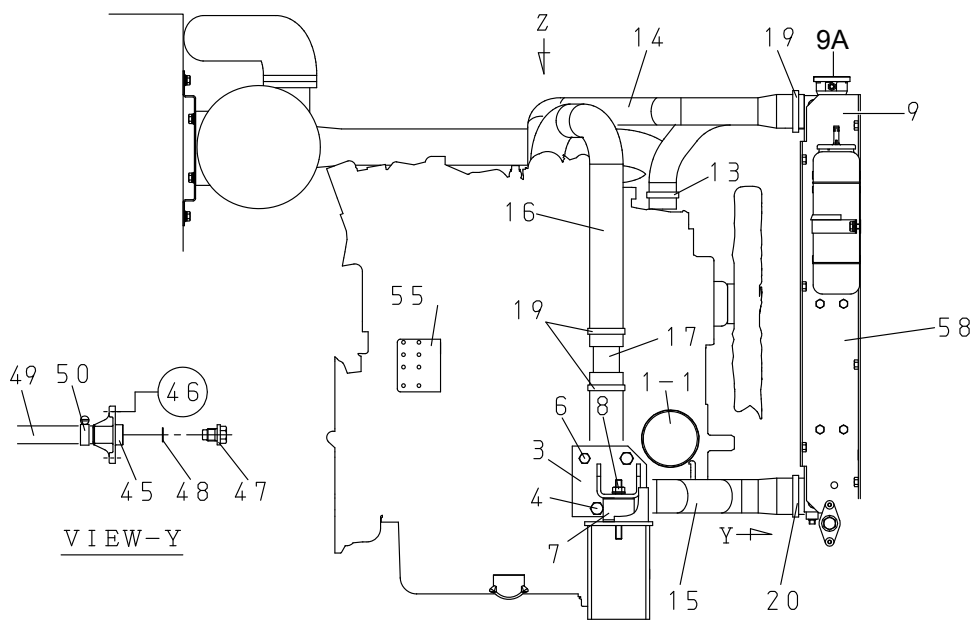
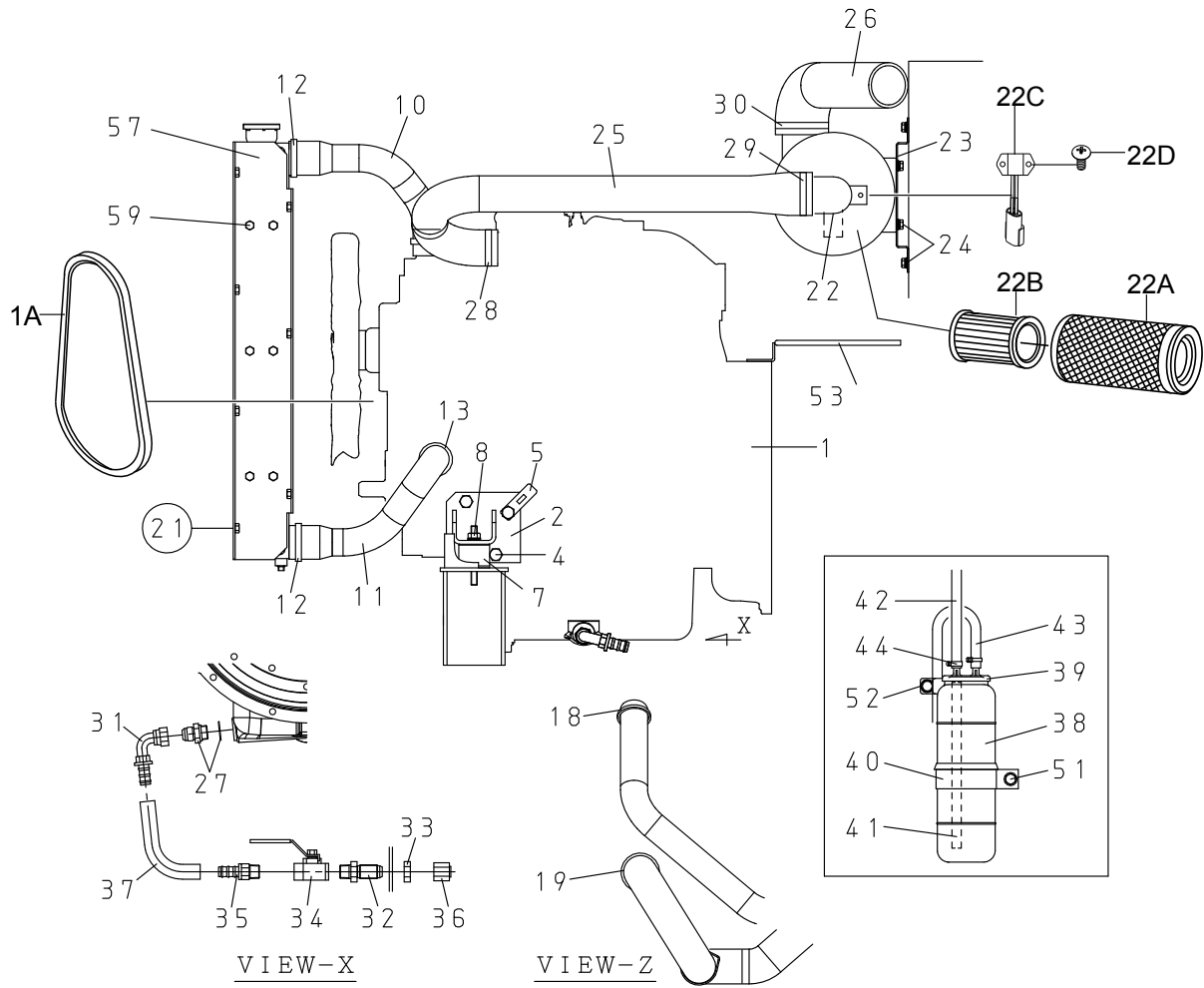
# CONTROL BOX ASSY. (CONT'D.)



## CONTROL BOX ASSY. (CONT'D.)

<u>NO.</u>	<u>PART NO.</u>	<u>PART NAME</u>	<u>QTY.</u>	<u>REMARKS</u>
38	M1213501004	CONTROL BOX COVER	1	
39	0016906015	HEX. HEAD BOLT	4	
40	M1213400014	CONTROL BOX COVER	1	
41	0016906015	HEX. HEAD BOLT	4	
42	M1214601104	SWITCH BRACKET	1	
43	0027105020	MACHINE SCREW	4	
43A	0030005000	SELF-LOCKING NUT .....	4.....	REPLACES P/N 0207005000
44	0016906015	HEX. HEAD BOLT	2	
45	M1270100604	SELECTOR SWITCH	1	
50	1J42360232	STARTER RELAY	1	
50A	1J30265301	BRACKET, RELAY	2	
51	1J42360232	MAIN RELAY	1	
52	0027104010	MACHINE SCREW	3	
53	Y0601872530	FUSE, 45A	1	
54	RP42153730	GLOW RELAY.....	1.....	REPLACES P/N RP42153731
56	0601812626	PLUG	1	
57	0601812711	PINS (MALE)	2	
63	0601830710	DIAGNOSTIC SWITCH	1	
64	M1261600004	SWITCH BRACKET	1	
65	0016906015	HEX. HEAD BOLT	2	
66	M1214600504	BRACKET, FUSE BOX	1	
67	0027105015	MACHINE SCREW	2	
68	M1247702214	WIRE HARNESS, GENERATOR	1	
69	M1358200502	WIRE HARNESS, ENGINE	1	

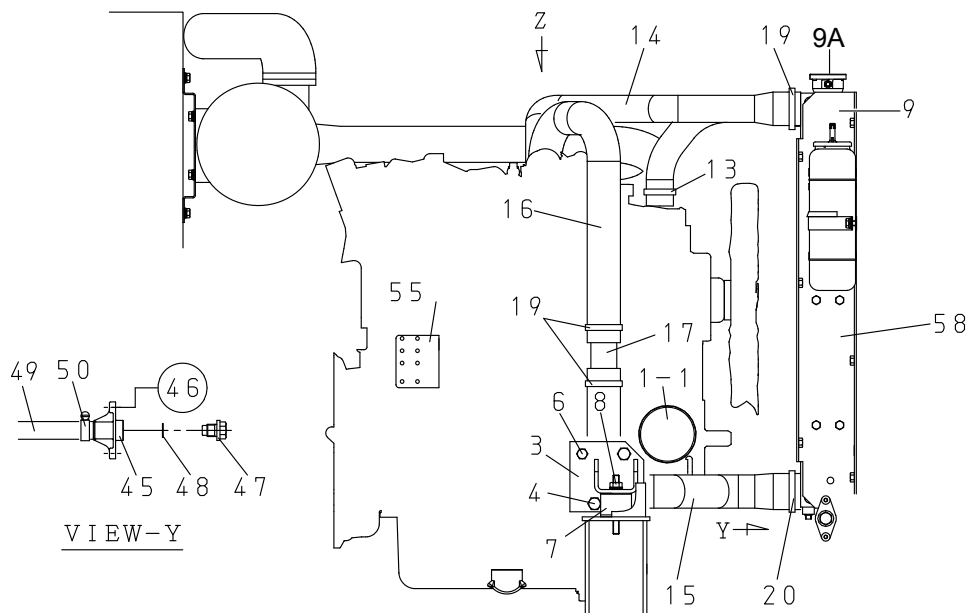
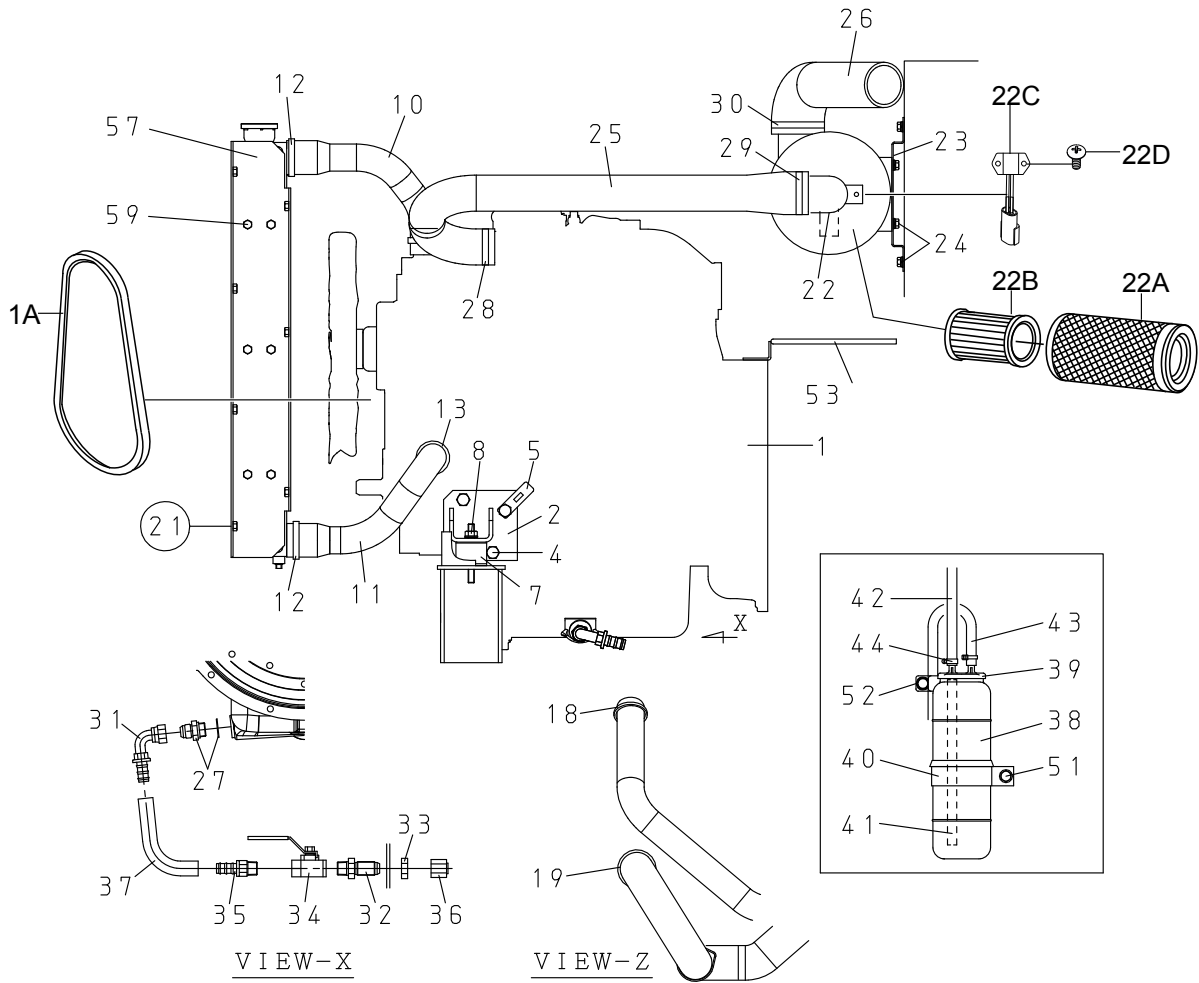
# ENGINE AND RADIATOR ASSY.



## ENGINE AND RADIATOR ASSY.

<u>NO.</u>	<u>PART NO.</u>	<u>PART NAME</u>	<u>QTY.</u>	<u>REMARKS</u>
1	M1924200194	ENGINE, KUBOTA V2403CRTIE4BG	1	
1A	1711297012	FAN BELT	1	
1-1	7000032091	CARTRIDGE, OIL FILTER .....	1	REPLACES P/N 0602041173
2	M1304200204	ENGINE FOOT	1	
3	M1304200304	ENGINE FOOT	1	
4	012212025	HEX. HEAD BOLT .....	7	REPLACES P/N 0012412025
5	M3483600104	COATING CLAMPER	1	
6	0012410025	HEX. HEAD BOLT	1	
7	Y0605000409	RUBBER SUSPENSION	2	
8	021112140	SELF-LOCKING NUT .....	2	REPLACES P/N 0207010000
9	Y0602012921	RADIATOR AND INTER COOLER	1	
9A	Y0602015730	CAP, RADIATOR	1	
10	M1311501803	RADIATOR HOSE (UPPER)	1	
11	M1311501403	RADIATOR HOSE (LOWER)	1	
12	0605515147	HOSE BAND	2	
13	0605515149	HOSE BAND	2	
14	M1311501503	INTER COOLER HOSE	1	
15	M1311501603	INTER COOLER HOSE	1	
16	M1311501703	INTER COOLER HOSE	1	
17	M1311400104	INTER COOLER PIPE	1	
18	Y0605515291	HOSE BAND	1	
19	0605515237	HOSE BAND	4	
20	Y0605515296	HOSE BAND	1	
21	011008020	HEX. HEAD BOLT .....	8	REPLACES P/N 0016908020
22	1J33411011	AIR CLEANER	1	
22A	3A11119130	ELEMENT, AIR CLEANER (OUTER) .....	1	REPLACES P/N 3A11119131
22B	5980026110	ELEMENT, AIR CLEANER (INNER) .....	1	REPLACES P/N 5980026111
22C	1J52010701	AIR FLOW SENSOR	1	
22D	0305450412	MACHINE SCREW	2	
23	M1374200304	BRACKET, AIR CLEANER	1	
24	011008020	HEX. HEAD BOLT .....	4	REPLACES P/N 0016908020
25	M1374101003	AIR CLEANER HOSE	1	
26	M1374101103	AIR CLEANER HOSE	1	
27	0602022568	ADAPTER 10M 22 X 1.5	1	
28	0605515147	HOSE BAND	1	
29	9500202080	HOSE BAND .....	1	REPLACES P/N 0605515178
30	0605515146	HOSE BAND	1	
31	0602022561	90 DEG. ELBOW	1	
32	0603306590	CONNECTOR	1	
33	0603300285	LOCKNUT	1	
34	0605511395	VALVE	1	
35	0603306395	HOSE JOINT	1	
36	0602021070	CAP	1	
37	0269200700	DRAIN HOSE	1	
38	0802081403D	RESERVE TANK .....	1	REPLACES P/N M9300000003
39	0802081104	CAP, RESERVE TANK .....	1	REPLACES P/N M9300100003
40	M1317100004	BRACKET, RESERVE TANK	1	

# ENGINE AND RADIATOR ASSY. (CONT'D.)

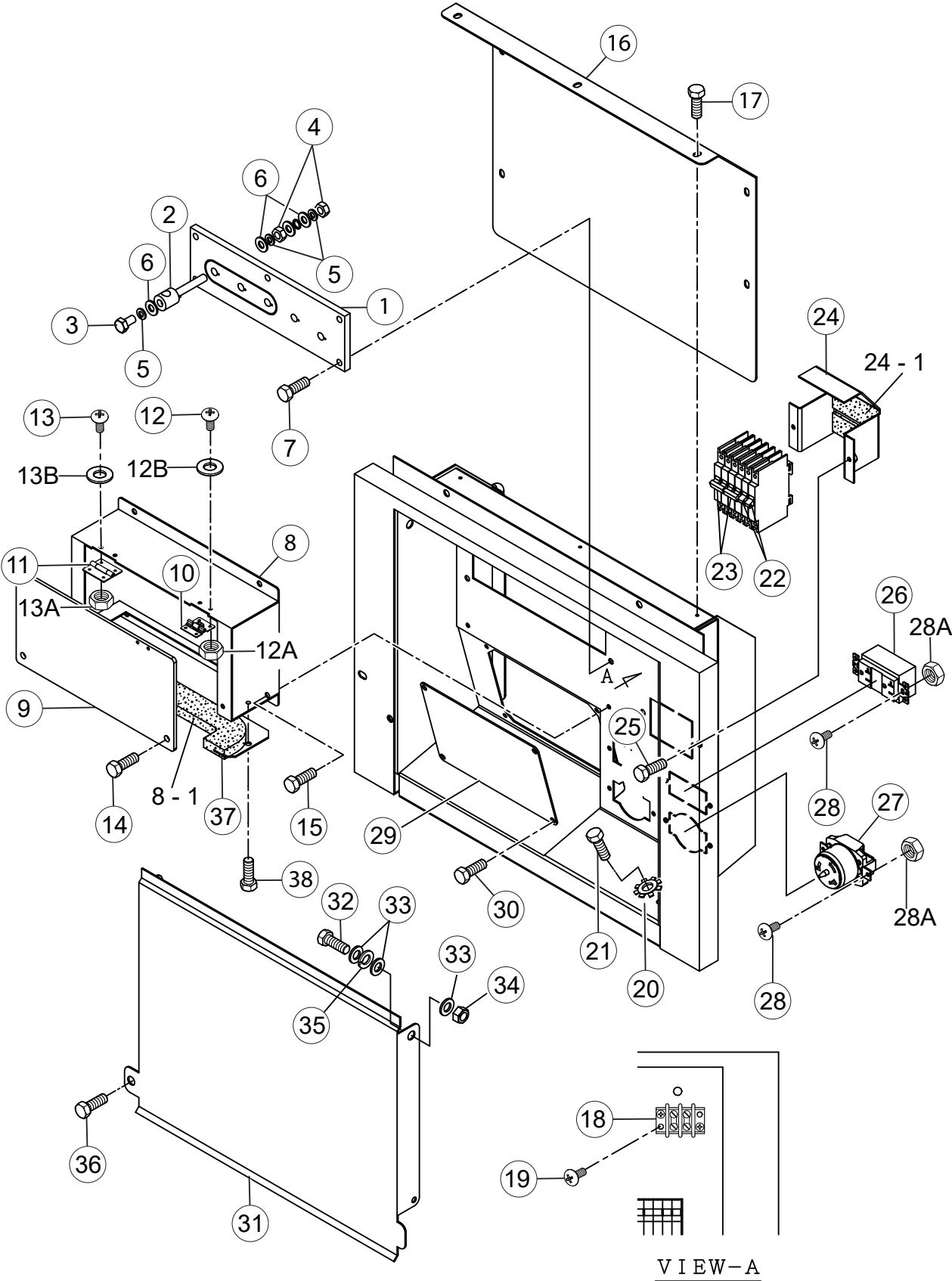




## ENGINE AND RADIATOR ASSY. (CONT'D.)

<u>NO.</u>	<u>PART NO.</u>	<u>PART NAME</u>	<u>QTY.</u>	<u>REMARKS</u>
41	0199100215	HOSE	1	
42	0199900600	OVER FLOW HOSE	1	
43	0193601200	OVER FLOW HOSE	1	
44	0605515189	HOSE BAND	2	
45	1502025103C	DRAIN JOINT .....	1.....	REPLACES P/N M9200000003
46	0016906015	HEX. HEAD BOLT	2	
47	0802011104	DRAIN BOLT .....	1.....	REPLACES P/N M9200200004
48	0150000018	O-RING, P-18	1	
49	Y0269200680	PUSH-LOCK HOSE	1	
50	0605515198	HOSE BAND	2	
51	011008020	HEX. HEAD BOLT .....	1.....	REPLACES P/N 0016908020
52	0602220911	CLAMP	2	
53	M1484600204	CLAMP	1	
54	0012410025	HEX. HEAD BOLT	2	
55	M1484500404	BRACKET, CONNECTOR	1	
56	011008020	HEX. HEAD BOLT .....	2.....	REPLACES P/N 0016908020
57	M1311200904	BRACKET, RADIATOR	1	
58	M1311201004	BRACKET, RADIATOR	1	
59	Y0016908015	HEX. HEAD BOLT	12	

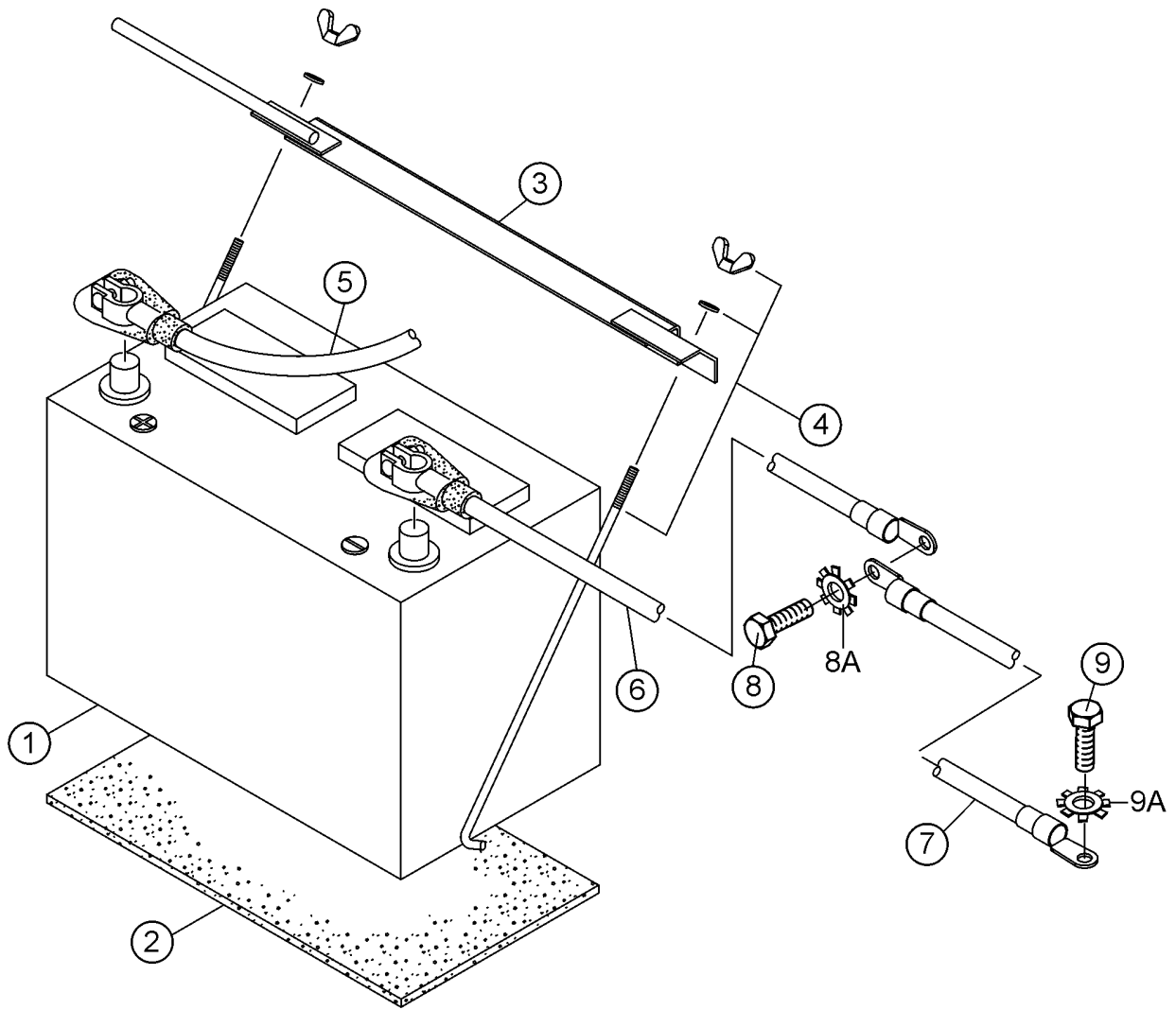
# OUTPUT TERMINAL ASSY.



## OUTPUT TERMINAL ASSY.

<u>NO.</u>	<u>PART NO.</u>	<u>PART NAME</u>	<u>QTY.</u>	<u>REMARKS</u>
1	8111860303	TERMINAL PANEL .....	1.....	REPLACES P/N M1230700103
2	0801831704A	OUTPUT TERMINAL BOLT .....	5.....	REPLACES P/N M9220100204
3	012210020	TIE BOLT .....	5.....	REPLACES P/N M9220100104
4	0039310000	HEX. NUT	10	
5	0040010000	WASHER, LOCK	15	
6	0041410000	WASHER, FLAT	20	
7	011208025	HEX. HEAD BOLT .....	5.....	REPLACES P/N 0016908025
8	M1237100703	3-PHASE OUTPUT TERMINAL COVER	1	
8-1	Y0317700280	CUSHION RUBBER	1	
9	M1236102124	OUTPUT WINDOW	1	
10	Y0605012028	HINGE	1	
11	0605010040	HINGE	1	
12	0027103010	MACHINE SCREW	4	
12A	0207003000	HEX. NUT .....	4.....	REPLACES P/N 0030003000
12B	0041203000	WASHER, FLAT	2	
13	0027103010	MACHINE SCREW	4	
13A	0207003000	HEX. NUT .....	4.....	REPLACES P/N 0030003000
13B	0041203000	WASHER, FLAT	2	
14	011206020	HEX. HEAD BOLT .....	2.....	REPLACES P/N 0016906020
15	0016906015	HEX. HEAD BOLT	4	
16	M1236101814	TERMINAL COVER	1	
17	0016906015	HEX. HEAD BOLT	7	
18	0601815194	TERMINAL BLOCK	1	
19	0027104015	MACHINE SCREW	2	
20	0040508000	TOOTHED WASHER	1	
21	0019208020	HEX. HEAD BOLT	1	
22	0601870440	CIRCUIT BREAKER, 1P 20A	2	
23	0601870441	CIRCUIT BREAKER, 2P 50A	2	
24	M1260700404	BREAKER FITTING COVER	1	
24-1	0222100080	CUSHION RUBBER	2	
25	011206020	HEX. HEAD BOLT .....	2.....	REPLACES P/N 0016906020
26	0601814024	RECEPTACLE, 125V 20A X2	2	
27	0601814014	RECEPTACLE, 250V 50A	2	
28	0027104015	MACHINE SCREW	8	
28A	OEMAA8	HEX. NUT .....	8.....	REPLACES P/N 0207004000
29	M1236400104	COVER	1	
30	0016906015	HEX. HEAD BOLT	4	
31	M1236101904	TERMINAL COVER	1	
32	012212045	HEX. HEAD BOLT .....	2.....	REPLACES P/N 0010112045
33	031112230	WASHER, FLAT .....	6.....	REPLACES P/N 0041212000
34	0030012000	HEX. NUT, DOUBLE NUT	2	
35	0605050060	CONICAL WASHER, LOCK	2	
36	0019208020	HEX. HEAD BOLT	1	
37	M1237400004	TERMINAL COVER UNDER	1	
38	0016906015	HEX. HEAD BOLT	2	

# BATTERY ASSY.

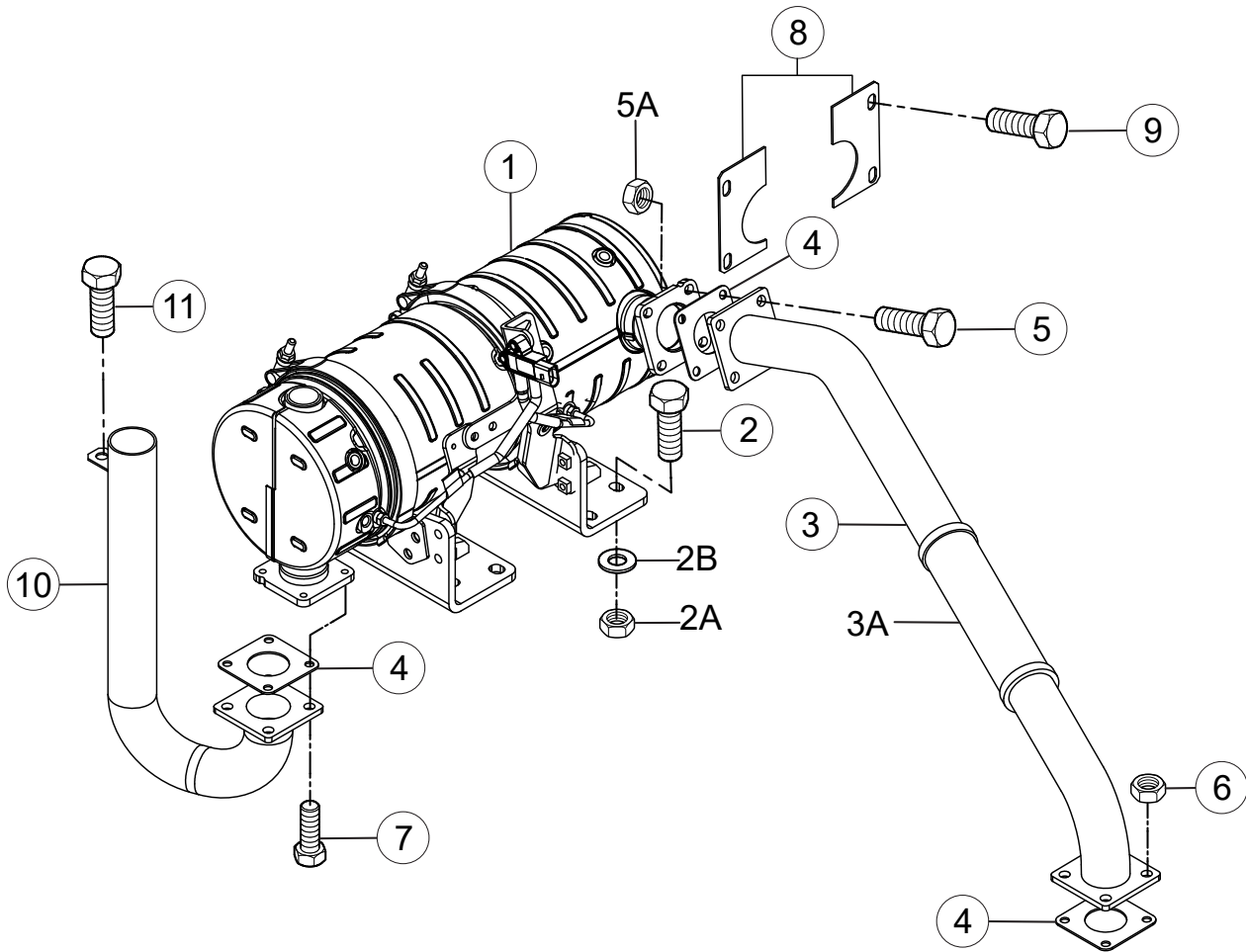


## BATTERY ASSY.

---

<u>NO.</u>	<u>PART NO.</u>	<u>PART NAME</u>	<u>QTY.</u>	<u>REMARKS</u>
1	0602220199	BATTERY	1	
2	M9310500014	BATTERY, SHEET	1	
3	M9104000104	BATTERY, BAND	1	
4	0602220920	BATTERY, BOLT SET 1/4-L10"	2	
5	M1347200304	BATTERY, CABLE	1	
6	M1347200404	BATTERY, CABLE	1	
7		CABLE .....	1	OBTAIN LOCALLY
8	012212025	HEX. HEAD BOLT .....	1	REPLACES P/N 0012412025
8A	0040512000	TOOTHED WASHER	1	
9	011008020	HEX. HEAD BOLT .....	1	REPLACES P/N 0016908020
9A	0040508000	TOOTHED WASHER	1	

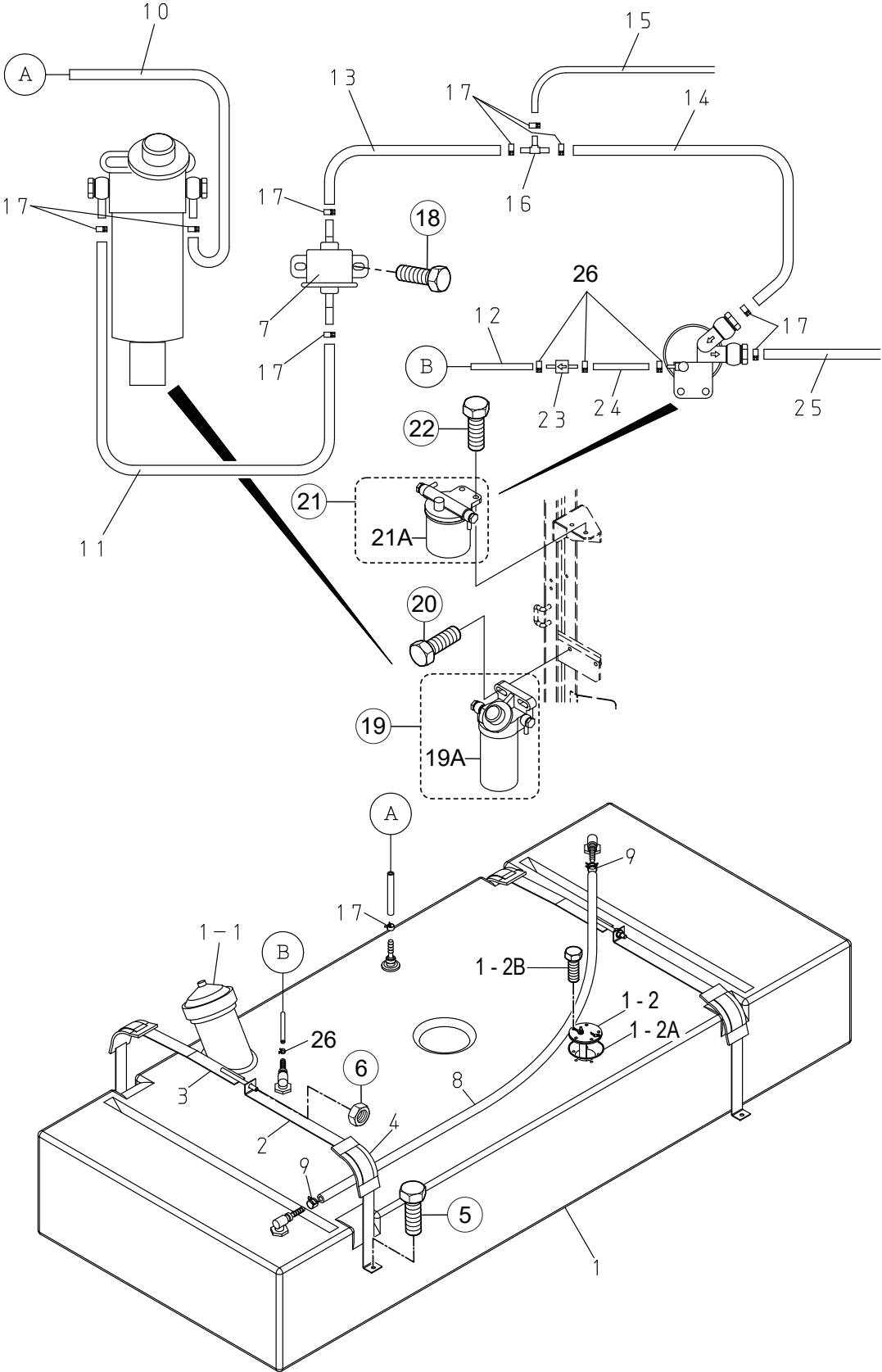
# MUFFLER ASSY.



## MUFFLER ASSY.

<u>NO.</u>	<u>PART NO.</u>	<u>PART NAME</u>	<u>QTY.</u>	<u>REMARKS</u>
1	1K81818131	DOC	1	
2	012212030	HEX. HEAD BOLT .....	4.....	REPLACES P/N 0017112030
2A	0030012000	HEX. NUT	4	
2B	031112230	WASHER, FLAT .....	4.....	REPLACES P/N 0041212000
3	M1334000903	EXHAUST PIPE	1	
3A	Y0602311142	EXHAUST INSULATING MAT	1	
4	1732612231	GASKET	3	
5	011208030	HEX. HEAD BOLT .....	4.....	REPLACES P/N 0016908030
5A	020108060	SELF-LOCKING NUT .....	4.....	REPLACES P/N 0207008000
6	0207108000	SELF-LOCKING NUT	4	
7	011208030	HEX. HEAD BOLT .....	4.....	REPLACES P/N 0016908030
8	M1484300004	PIPE COVER	2	
9	011008020	HEX. HEAD BOLT .....	4.....	REPLACES P/N 0016908020
10	M1334100203	TAIL PIPE	1	
11	011008020	HEX. HEAD BOLT .....	1.....	REPLACES P/N 0016908020

# FUEL TANK ASSY.

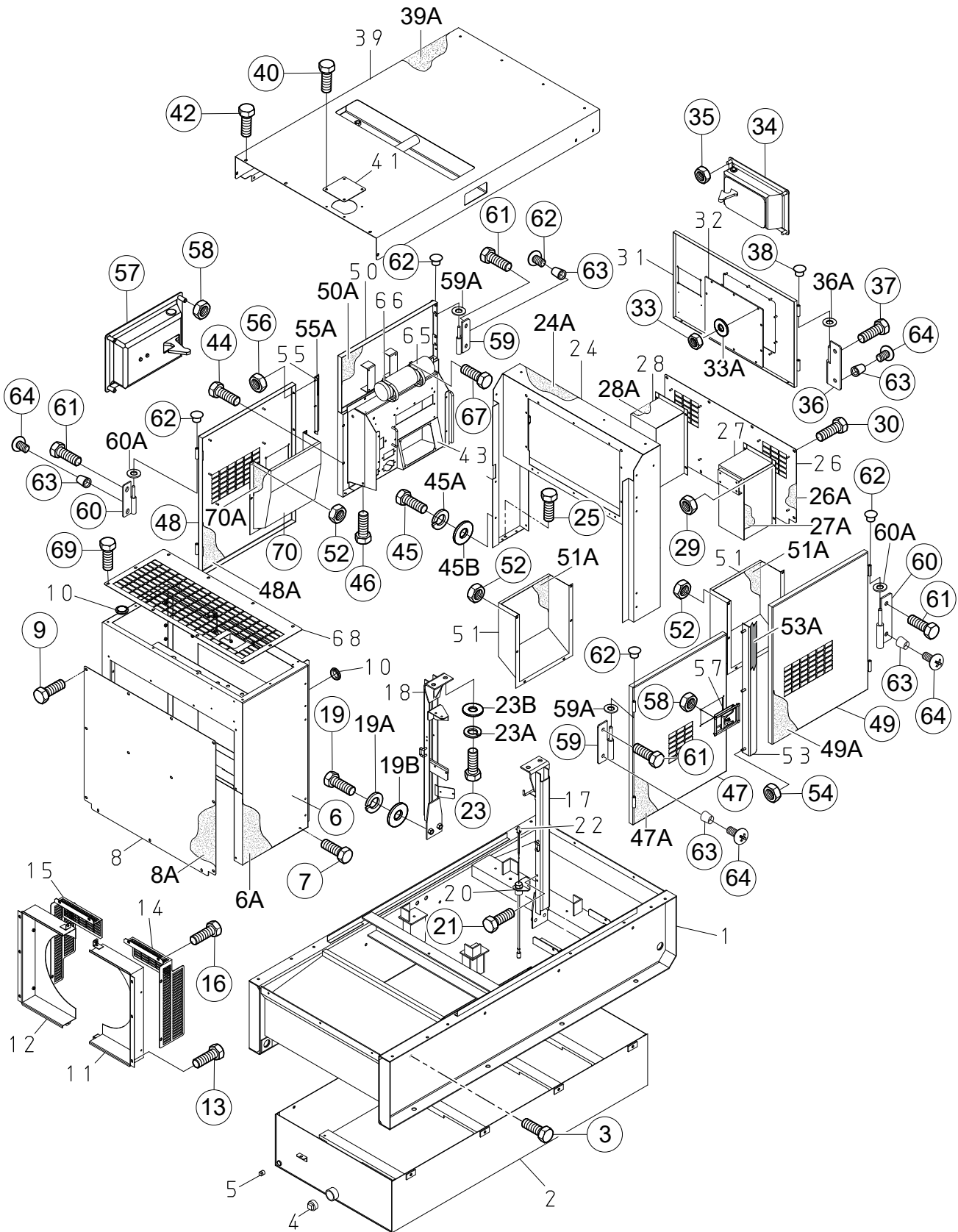




## FUEL TANK ASSY.

<u>NO.</u>	<u>PART NO.</u>	<u>PART NAME</u>	<u>QTY.</u>	<u>REMARKS</u>
1	M1364000412	FUEL TANK	1	
1-1	0605505070	FUEL TANK CAP	1	
1-2	Y0605501056	FUEL SENDER UNIT	1	
1-2A	0605516090	GASKET	1	
1-2B	Y0605053020	HEX. HEAD BOLT	5	
2	M1364200004	TANK BAND	2	
3	M1363200404	TANK BAND	2	
4	M9310500104	SUPPORTER SHEET	4	
5	011008020	HEX. HEAD BOLT.....	4.....	REPLACES P/N 0016908020
6	020108060	SELF-LOCKING NUT .....	4.....	REPLACES P/N 0207008000
7	R140151353	FUEL PUMP	1	
8	Y0191301500	HOSE	1	
9	Y0605515340	HOSE BAND	2	
10	Y0191200370	SUCTION HOSE	1	
11	Y0191200450	SUCTION HOSE	1	
12	Y0191001000	RETURN HOSE	1	
13	0191200300	SUCTION HOSE	1	
14	Y0191200230	SUCTION HOSE	1	
15	Y0191200320	RETURN HOSE	1	
16	3N60042171	T-JOINT	1	
17	0605515189	HOSE BAND	12	
18	0016906015	HEX. HEAD BOLT	2	
19	1J43043351	WATER SEPARATOR	1	
19A	1J43043061	CARTRIDGE, WATER SEPARATOR	1	
20	011208030	HEX. HEAD BOLT.....	2.....	REPLACES P/N 0016908030
21	1J33143011	FUEL FILTER	1	
21A	1J52143171	CARTRIDGE, FUEL FILTER	1	
22	0012108035	HEX. HEAD BOLT.....	2.....	REPLACES P/N 0016908035
23	1C01042460	CHECK VALVE	1	
24	Y0191000500	SUCTION HOSE	1	
25	0191200800	SUCTION HOSE	1	
26	Y0605515104	HOSE BAND	4	

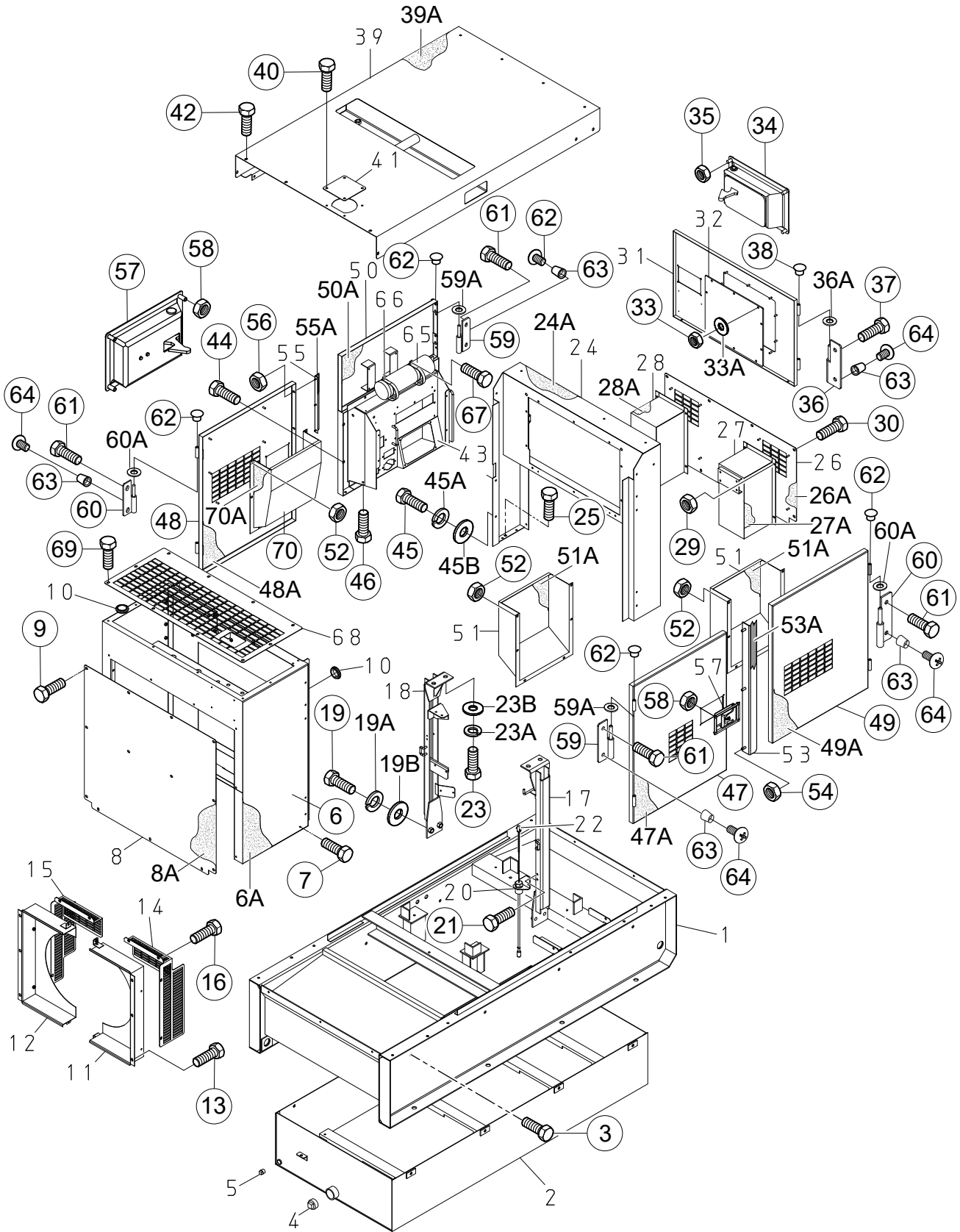
# ENCLOSURE ASSY.



## ENCLOSURE ASSY.

<u>NO.</u>	<u>PART NO.</u>	<u>PART NAME</u>	<u>QTY.</u>	<u>REMARKS</u>
1	M1414001202	BASE	1	
2	M1364300003	ENVIRONMENTAL TANK	1	
3	0016910030	HEX. HEAD BOLT	8	
4	0603306797	SQUARE HEAD PIPE PLUG, 1-1/2"	1	
5	Y0603306793	SQUARE HEAD PIPE PLUG, 1/2"	1	
6	M1424000202	FRONT FRAME	1	
6A	M1494106703	ACOUSTIC SHEET	1	
7	011008020	HEX. HEAD BOLT .....	4	REPLACES P/N 0016908020
8	M1424201104	COVER, FRONT FRAME	1	
8A	M1494105904	ACOUSTIC SHEET	1	
9	0019208020	HEX. HEAD BOLT	13	
10	Y0601851774	GROMMET	2	
11	M1311301703	FAN SHROUD	1	
12	M1311301803	FAN SHROUD	1	
13	011008020	HEX. HEAD BOLT .....	8	REPLACES P/N 0016908020
14	M1311301903	FAN GUARD	1	
15	M1311302003	FAN GUARD	1	
16	011008020	HEX. HEAD BOLT .....	8	REPLACES P/N 0016908020
17	M1434300703	CENTER FRAME	1	
18	M1434300803	CENTER FRAME	1	
19	0013616035	HEX. HEAD BOLT	4	
19A	0040016000	WASHER, LOCK	4	
19B	0041216000	WASHER, FLAT	4	
20	M1484500104	FUEL LEAK SWITCH BRACKET	1	
21	011008020	HEX. HEAD BOLT .....	2	REPLACES P/N 0016906020
22	0605503062	FUEL LEAK DETECTED SWITCH	1	
23	0013616035	HEX. HEAD BOLT	4	
23A	0040016000	WASHER. LOCK	4	
23B	0041216000	WASHER, FLAT	4	
24	M1444000402	REAR FRAME	1	
24A	M1494303404	ACOUSTIC SHEET	1	
25	011008020	HEX. HEAD BOLT .....	4	REPLACES P/N 0016908020
26	M1444300703	REAR COVER	1	
26A	M1494303604	ACOUSTIC SHEET	1	
27	M1444300803	DUCT, REAR COVER	1	
27A	M1494303504	ACOUSTIC SHEET	1	
28	M1444300903	DUCT, REAR COVER	1	
28A	M1494303504	ACOUSTIC SHEET	1	
29	0176060030	SELF-LOCKING NUT .....	8	REPLACES P/N 0207006000
30	0019208020	HEX. HEAD BOLT	8	
31	M1444200503	REAR DOOR	1	
32	M1445600204	WINDOW PLATE	1	
33	020106050	LOCK NUT .....	10	REPLACES P/N 0037906000
33A	952404470	WASHER, FLAT .....	10	REPLACES P/N 0041206000
34	Y0605012309	DOOR HANDLE ASSEMBLY	1	
35	0176060030	SELF-LOCKING NUT .....	4	REPLACES P/N 0207006000

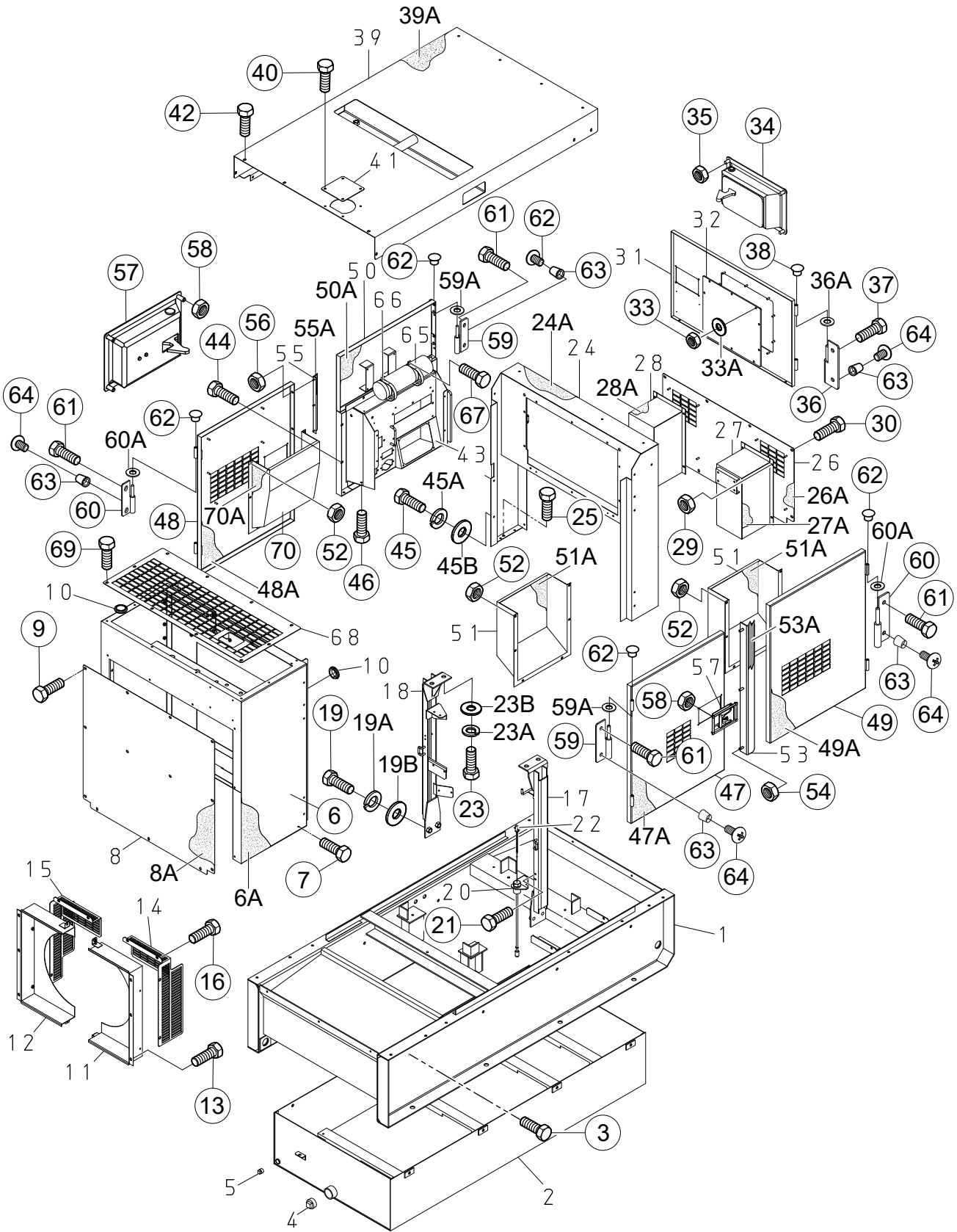
# ENCLOSURE ASSY. (CONT'D.)



## ENCLOSURE ASSY. (CONT'D.)

<u>NO.</u>	<u>PART NO.</u>	<u>PART NAME</u>	<u>QTY.</u>	<u>REMARKS</u>
36	M9110100204	HINGE	2	
36A	M9116100004	WASHER	2	
37	0019208020	HEX. HEAD BOLT	3	
38	0845031504	BLIND PLUG.....	2.....	REPLACES P/N M9310000004
39	M1464000702	ROOF PANEL	1	
39A	M1494504303	ACOUSTIC SHEET	1	
40	0019208020	HEX. HEAD BOLT	13	
41	M3310600004	COVER	1	
42	0019208020	HEX. HEAD BOLT	4	
43	M1454200812	SPLASHER PANEL	1	
44	0019208020	HEX. HEAD BOLT	2	
45	0019108055	HEX. HEAD BOLT	2	
45A	0042308000	WASHER, LOCK	2	
45B	0401450080	WASHER, FLAT.....	2.....	REPLACES P/N 0042408000
46	011008020	HEX. HEAD BOLT.....	2.....	REPLACES P/N 0016908020
47	M1454002203	SIDE DOOR	1	
47A	M1494407504	ACOUSTIC SHEET	1	
48	M1454002303	SIDE DOOR	1	
48A	M1494407804	ACOUSTIC SHEET	1	
49	M1454002403	SIDE DOOR	1	
49A	M1494408004	ACOUSTIC SHEET	1	
50	M1454002103	SIDE DOOR	1	
50A	M1494405804	ACOUSTIC SHEET	1	
51	M1454301004	DUCT	2	
51A	M1494408104	ACOUSTIC SHEET	2	
52	0176060030	SELF-LOCKING NUT.....	18.....	REPLACES P/N 0207006000
53	M1454700204	DOOR SUPPORTER	1	
53A	0229200775	RUBBER SEAL	1	
54	0176060030	SELF-LOCKING NUT.....	4.....	REPLACES P/N 0207006000
55	M1454700404	DOOR SUPPORTER	1	
55A	0229200295	RUBBER SEAL	1	
56	0176060030	SELF-LOCKING NUT.....	2.....	REPLACES P/N 0207006000
57	Y0605012309	DOOR HANDLE ASSEMBLY	2	
58	0176060030	SELF-LOCKING NUT.....	8.....	REPLACES P/N 0207006000
59	M9110100204	HINGE	4	
59A	M9116100004	WASHER	4	
60	M9110100304	HINGE	4	
60A	M9116100004	WASHER	4	

# ENCLOSURE ASSY. (CONT'D.)

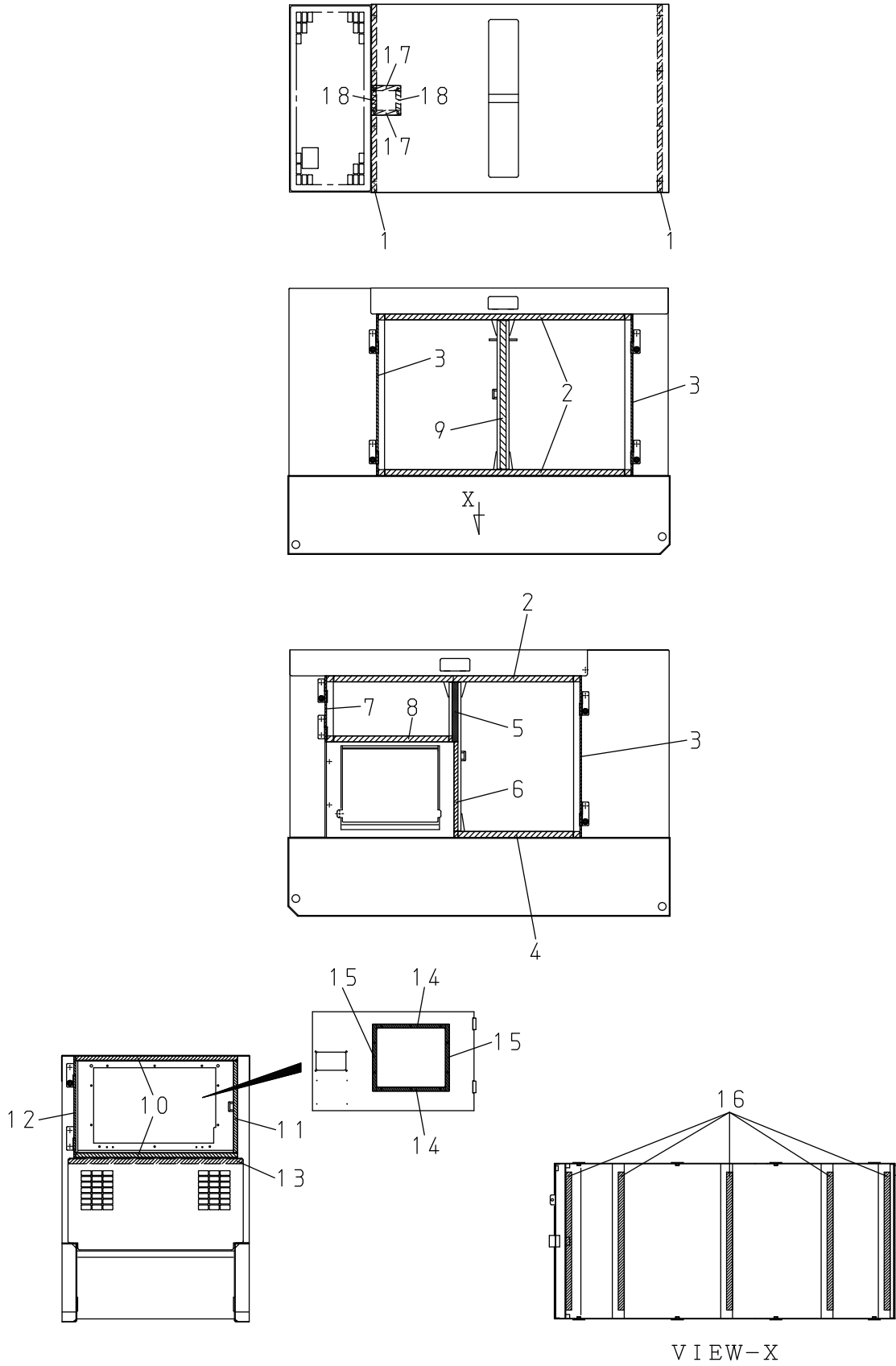


## ENCLOSURE ASSY. (CONT'D.)

---

<u>NO.</u>	<u>PART NO.</u>	<u>PART NAME</u>	<u>QTY.</u>	<u>REMARKS</u>
61	0019208020	HEX. HEAD BOLT	9	
62	0845031504	BLIND PLUG.....	8.....	REPLACES P/N M9310000004
63	0601850097	DOOR STOPPER	8	
64	0027208025	MACHINE SCREW	8	
65	0600800321	MANUAL PAK	1	
66	M1483600804	CLAMPER	2	
67	0016906015	HEX. HEAD BOLT	4	
68	M1424201204	FRONT FRAME OVER COVER	1	
69	0019208020	HEX. HEAD BOLT	10	
70	M1454300904	DUCT	1	
70A	M1494408604	ACOUSTIC SHEET	1	

# RUBBER SEALS ASSY.

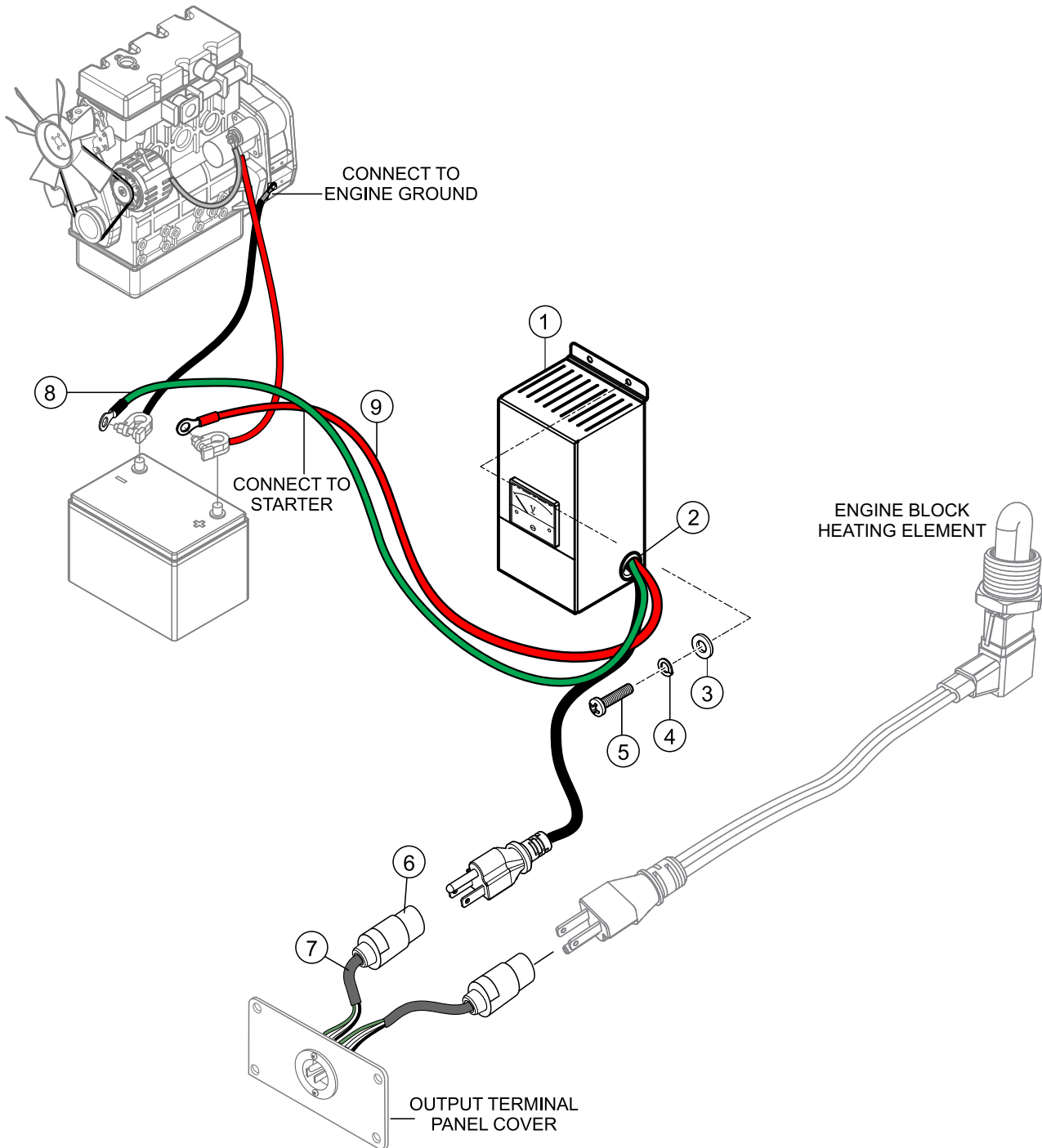




## RUBBER SEALS ASSY.

<u>NO.</u>	<u>PART NO.</u>	<u>PART NAME</u>	<u>QTY.</u>	<u>REMARKS</u>
1	0229200950	RUBBER SEAL	2	
2	Y0228901285	RUBBER SEAL	3	
3	Y0229400820	RUBBER SEAL	3	
4	0228900640	RUBBER SEAL	1	
5	Y0228900305	RUBBER SEAL	1	
6	Y0228800460	RUBBER SEAL	1	
7	Y0229400335	RUBBER SEAL	1	
8	Y0228900635	RUBBER SEAL	1	
9	0228900760	RUBBER SEAL	1	
10	Y0228800820	RUBBER SEAL	2	
11	0228800470	RUBBER SEAL	1	
12	0228800510	RUBBER SEAL	1	
13	0229200880	RUBBER SEAL	1	
14	0228100340	RUBBER SEAL	2	
15	70NS2016	RUBBER SEAL.....	2.....	REPLACES P/N 0228100350
16	0222100700	RUBBER SEAL	5	
17	Y0229200145	RUBBER SEAL	2	
18	Y0229200100	RUBBER SEAL	2	

# BATTERY CHARGER ASSY. (OPTION)



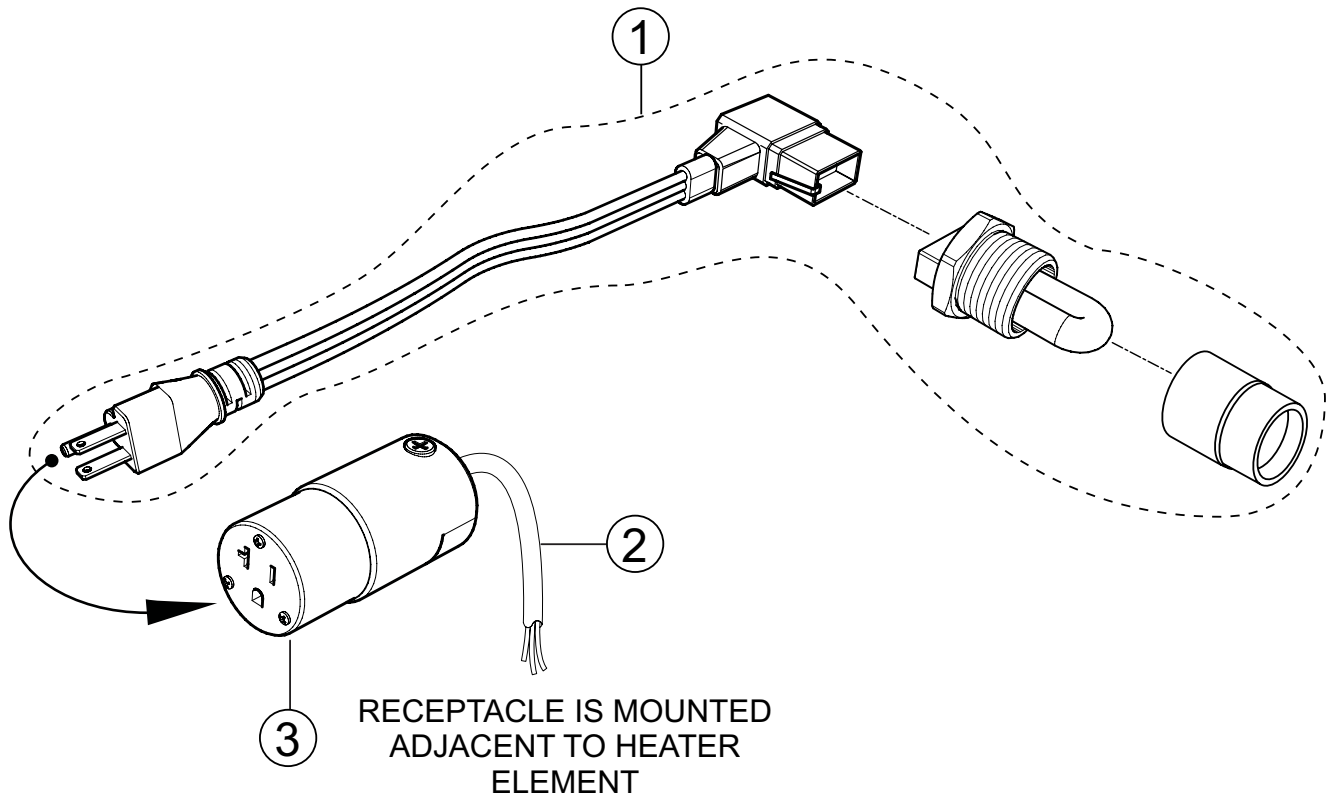
## **BATTERY CHARGER ASSY. (OPTION)**

---

<u>NO.</u>	<u>PART NO.</u>	<u>PART NAME</u>	<u>QTY.</u>	<u>REMARKS</u>
1	LC125002	CHARGER BATTERY, 3 AMP 12V .....	1	
2		GROMMENT, 7/8" HOLE SIZE .....	1	OBTAIN LOCALLY
3		WASHER, FLAT M4 .....	4	OBTAIN LOCALL
4		WASHER, LOCK M4.....	4	OBTAIN LOCALLY
5		SCREW, M4X10 .....	4	OBTAIN LOCALLY
6	HBL5369C	CONNECTOR, 20 AMP ,125V	1	
7	EE56557	CORD, 3-CONDUCTOR, 14 AWG .....	6 FT.....	1PC=1FT
8		WIRE, 16GA, GREEN.....	9 FT.....	OBTAIN LOCALLY
9		WIRE, 16GA, RED .....	9 FT.....	OBTAIN LOCALLY

# ENGINE BLOCK HEATING ELEMENT ASSY. (OPTION)

---

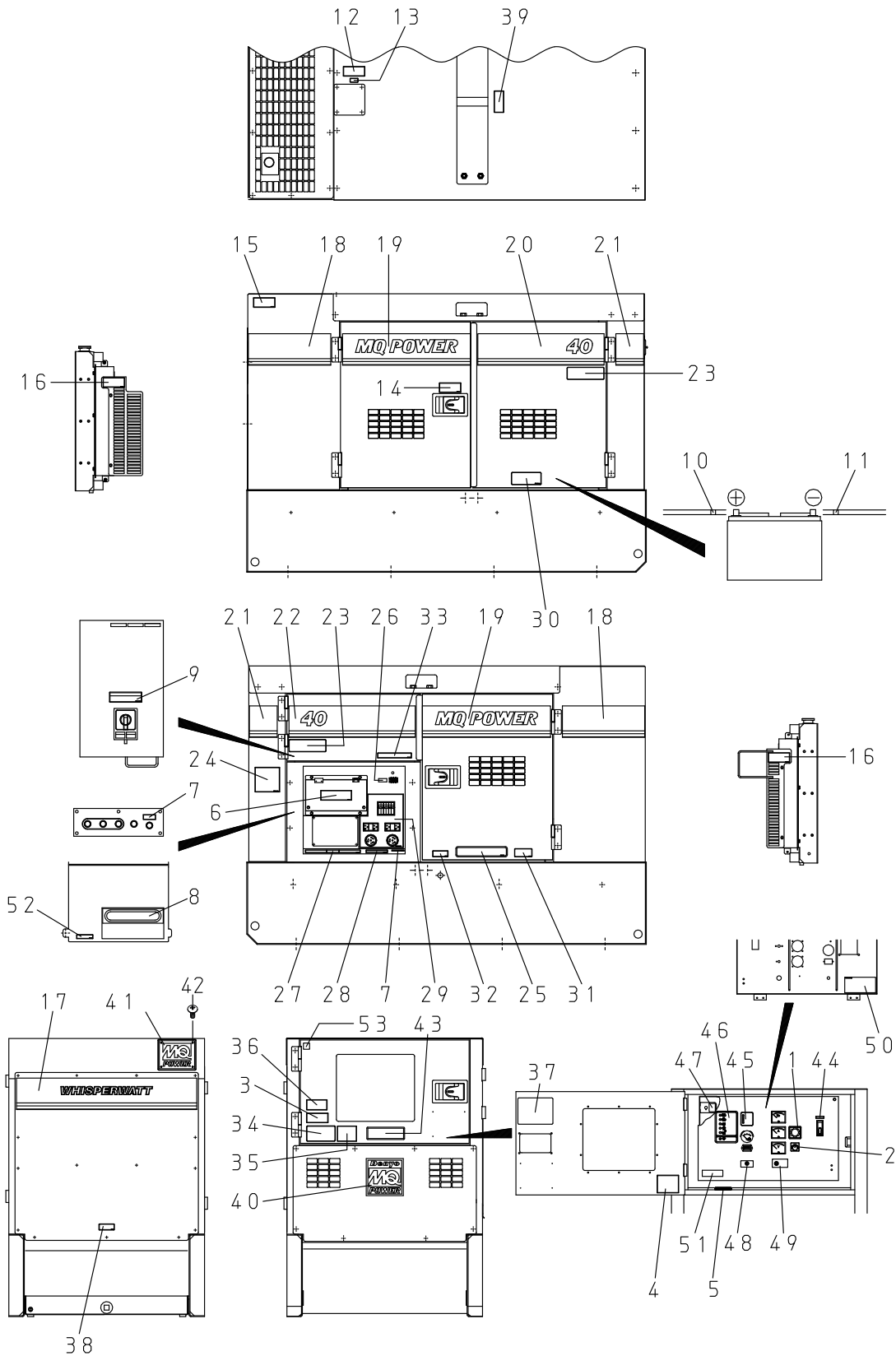


# ENGINE BLOCK HEATING ELEMENT ASSY. (OPTION)

---

1	EE55724	KIT, 110 VOLT, COOLANT HEATER	1
2	EE56557	CORD, CAROL 3/C 14AWG 90C.....10.....1PC=1FT	10
3	HBL5369C	CONNECTOR, 20AMP, 125V	1

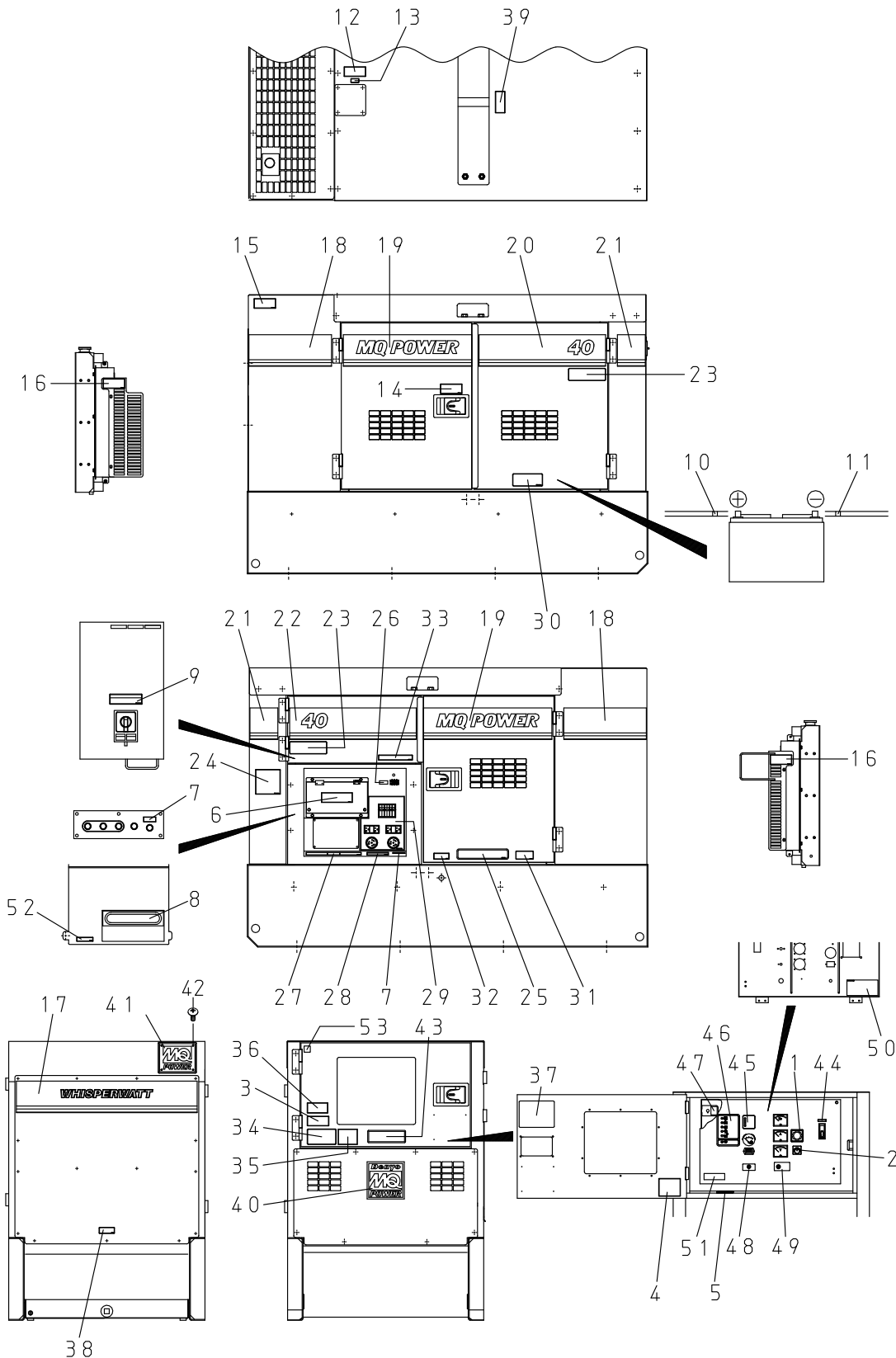
# NAMEPLATE AND DECALS ASSY.



## NAMEPLATE AND DECALS ASSY.

<u>NO.</u>	<u>PART NO.</u>	<u>PART NAME</u>	<u>QTY.</u>	<u>REMARKS</u>
1	M9520000104	DECAL; AMMETER CHANGE-OVER SW. ....	1.....	M92000010
2	M9522000604	DECAL; VOLTAGE REGULATOR.....	1.....	M92200060
3	M9520100704	DECAL; WARNING ARC FLASH.....	1.....	M92010070
4	M9520100304	DECAL; GENERAL CAUTIONS.....	1.....	M92010030
5	M9520100004	DECAL; WARNING ELECTRICAL SHOCK.....	1.....	M92010000
6	M9520200003	DECAL; CONNECTION OF OUTPUT CABLE ..	1.....	M92020000
7	M9520000004	DECAL; GROUNDING.....	2.....	M92000000
8	M9520100404	DECAL; DANGER HIGH VOLTAGE.....	1.....	M92010040
9	M9520100204	DECAL; CAUTION CHANGE-OVER SW. ....	1.....	M92010020A
10	M9500300104	DECAL; + .....	1.....	M90030010
11	M9500300004	DECAL; - .....	1.....	M90030000
12	M9503100004	DECAL; WARNING RADIATOR CAP .....	1.....	M90310000
13	M9500100004	DECAL; WATER.....	1.....	M90010000
14	M9510100004	DECAL; CAUTION HIGH TEMP.....	1.....	M91010000
15	M9503200004	DECAL; WARNING EXHAUST GAS.....	1.....	M90320000
16	M9503000004	DECAL; WARNING ROTATING PART .....	2.....	M90300000
17	M1560100603	STRIPE	1	
18	M1561102404	STRIPE	2	
19	M1561102503	STRIPE	2	
20	M1561102603	STRIPE	1	
21	M1561101504	STRIPE	2	
22	M1561102703	STRIPE	1	
23	M9520100603	DECAL; WARNING AUTO START .....	2.....	M92010060
24	M1551001204	DECAL; NOTICE LOAD SHARING.....	1.....	M15100120
25	M9503000103	DECAL; DAILY CHECK WATER AND OIL .....	1.....	M90300010
26	M9520000504	DECAL; START CONTACT .....	1.....	M92000050
27	M9520100503	DECAL; WARNING .....	1.....	M92010050
28	M9511100104	DECAL; NOTICE RECEPTACLE .....	1.....	M91110010
29	M1550001803	DECAL; AUXILIARY OUTPUTS .....	1.....	M15000180
30	M9510100403	DECAL; WARNING BATTERY CONNECT .....	1.....	M91010040A
31	M9501500004	DECAL; DIESEL FUEL .....	1.....	M90150000
32	M9500000004	DECAL; OIL DRAIN .....	1.....	M90000000
33	M9510000104	DECAL; DOCUMENT BOX LOCATED .....	1.....	M91000010
34	M9511100004	DECAL; WARNING ENVIRONMENTAL.....	1.....	M91110000
35	M9503200104	DECAL; DANGER EX. GAS (INDOOR).....	1.....	M90320010
36	M9504200004	DECAL; WARNING START FIRES .....	1.....	M90420000
37	M2550002303	DECAL; OPERATING PROCEDURES .....	1.....	M25000230
38	M9510000004	DECAL; FLUID DRAIN.....	1.....	M91000000
39	M1550001504	DECAL; CAUTION LIFTING CAPACITY .....	1.....	M15000150
40	M9511200204	STICKER, MQ.....	1.....	M91120020
41	0600500092	EMBLEM	1	
42	0021106015	MACHINE SCREW	4	

# NAMEPLATE AND DECALS ASSY. (CONT.)





## NAMEPLATE AND DECALS ASSY. (CONT.)

---

<u>NO.</u>	<u>PART NO.</u>	<u>PART NAME</u>	<u>QTY.</u>	<u>REMARKS</u>
43	M9511200103	TIER 4F.....	1.....	M91120010
44	M9522000504	DECAL; CIRCUIT BREAKER .....	1.....	M92200050
45	M9521000704	DECAL; CAN7X .....	1.....	M92100070
46	M9521001404	DECAL; WARNING LAMP PANEL.....	1.....	M92100140
47	M9520000904	DECAL; DIAGNOSTIC SWITCH.....	1.....	M92000090
48	M9504400104	DECAL; AUTO-MANUAL SWITCH .....	1.....	M90440010
49	M9521000804	DECAL; ENGINE SPEED SWITCH.....	1.....	M92100080
50	M9521100004	DECAL; ECU TERMINAL HIGH VOLTAGE.....	1.....	M92110000
51	M1561000104	STICKER; 36KVA.....	1.....	M16100010
52	M9521200604	DECAL; BONDED NEUTRAL.....	1.....	M92120060
53	Y0600500094	DECAL; E-COAT STICKER	1	

# TERMS AND CONDITIONS OF SALE — PARTS

## PAYMENT TERMS

Terms of payment for parts are net 30 days.

## FREIGHT POLICY

All parts orders will be shipped collect or prepaid with the charges added to the invoice. All shipments are F.O.B. point of origin. Multiquip's responsibility ceases when a signed manifest has been obtained from the carrier, and any claim for shortage or damage must be settled between the consignee and the carrier.

## MINIMUM ORDER

The minimum charge for orders from Multiquip is \$15.00 net. Customers will be asked for instructions regarding handling of orders not meeting this requirement.

## RETURNED GOODS POLICY

Return shipments will be accepted and credit will be allowed, subject to the following provisions:

1. A Returned Material Authorization must be approved by Multiquip prior to shipment.
2. To obtain a Return Material Authorization, a list must be provided to Multiquip Parts Sales that defines item numbers, quantities, and descriptions of the items to be returned.
  - a. The parts numbers and descriptions must match the current parts price list.
  - b. The list must be typed or computer generated.
  - c. The list must state the reason(s) for the return.
  - d. The list must reference the sales order(s) or invoice(s) under which the items were originally purchased.
  - e. The list must include the name and phone number of the person requesting the RMA.
3. A copy of the Return Material Authorization must accompany the return shipment.
4. Freight is at the sender's expense. All parts must be returned freight prepaid to Multiquip's designated receiving point.

5. Parts must be in new and resalable condition, in the original Multiquip package (if any), and with Multiquip part numbers clearly marked.
6. The following items are not returnable:
  - a. Obsolete parts. (If an item is in the price book and shows as being replaced by another item, it is obsolete.)
  - b. Any parts with a limited shelf life (such as gaskets, seals, "O" rings, and other rubber parts) that were purchased more than six months prior to the return date.
  - c. Any line item with an extended dealer net price of less than \$5.00.
  - d. Special order items.
  - e. Electrical components.
  - f. Paint, chemicals, and lubricants.
  - g. Decals and paper products.
  - h. Items purchased in kits.
7. The sender will be notified of any material received that is not acceptable.
8. Such material will be held for five working days from notification, pending instructions. If a reply is not received within five days, the material will be returned to the sender at his expense.
9. Credit on returned parts will be issued at dealer net price at time of the original purchase, less a 15% restocking charge.
10. In cases where an item is accepted, for which the original purchase document can not be determined, the price will be based on the list price that was effective twelve months prior to the RMA date.
11. Credit issued will be applied to future purchases only.

## PRICING AND REBATES

Prices are subject to change without prior notice. Price changes are effective on a specific date and all orders received on or after that date will be billed at the revised price. Rebates for price declines and added charges for price increases will not be made for stock on hand at the time of any price change.

Multiquip reserves the right to quote and sell direct to Government agencies, and to Original Equipment Manufacturer accounts who use our products as integral parts of their own products.

## SPECIAL EXPEDITING SERVICE

A \$35.00 surcharge will be added to the invoice for special handling including bus shipments, insured parcel post or in cases where Multiquip must personally deliver the parts to the carrier.

## LIMITATIONS OF SELLER'S LIABILITY

Multiquip shall not be liable hereunder for damages in excess of the purchase price of the item with respect to which damages are claimed, and in no event shall Multiquip be liable for loss of profit or good will or for any other special, consequential or incidental damages.

## LIMITATION OF WARRANTIES

No warranties, express or implied, are made in connection with the sale of parts or trade accessories nor as to any engine not manufactured by Multiquip. Such warranties made in connection with the sale of new, complete units are made exclusively by a statement of warranty packaged with such units, and Multiquip neither assumes nor authorizes any person to assume for it any other obligation or liability whatever in connection with the sale of its products. Apart from such written statement of warranty, there are no warranties, express, implied or statutory, which extend beyond the description of the products on the face hereof.

Effective: February 22, 2006



# PARTS MANUAL

## HERE'S HOW TO GET HELP

PLEASE HAVE THE MODEL AND SERIAL  
NUMBER ON-HAND WHEN CALLING

### UNITED STATES

#### **Multiquip Corporate Office**

18910 Wilmington Ave.  
Carson, CA 90746  
Contact: mq@multiquip.com

Tel. (800) 421-1244  
Fax (310) 537-3927

#### **Service Department**

800-421-1244  
310-537-3700

#### **Technical Assistance**

800-478-1244 Fax: 310-943-2238

#### **MQ Parts Department**

800-427-1244  
310-537-3700

Fax: 800-672-7877

#### **Warranty Department**

800-421-1244  
310-537-3700

Fax: 310-943-2249

---

### CANADA

#### **Multiquip**

4110 Industriel Boul.  
Laval, Quebec, Canada H7L 6V3  
Contact: infocanda@multiquip.com

Tel: (450) 625-2244  
Tel: (877) 963-4411  
Fax: (450) 625-8664

---

### UNITED KINGDOM

#### **Multiquip (UK) Limited Head Office**

Unit 2, Northpoint Industrial Estate,  
Globe Lane,  
Dukinfield, Cheshire SK16 4UJ  
Contact: sales@multiquip.co.uk

Tel: 0161 339 2223  
Fax: 0161 339 3226

© COPYRIGHT 2017, MULTIQUIP INC.

Multiquip Inc, the MQ logo and the MQ Power logo are registered trademarks of Multiquip Inc. and may not be used, reproduced, or altered without written permission. All other trademarks are the property of their respective owners and used with permission.

This manual MUST accompany the equipment at all times. This manual is considered a permanent part of the equipment and should remain with the unit if resold.

The information and specifications included in this publication were in effect at the time of approval for printing. Illustrations, descriptions, references and technical data contained in this manual are for guidance only and may not be considered as binding. Multiquip Inc. reserves the right to discontinue or change specifications, design or the information published in this publication at any time without notice and without incurring any obligations.

Your Local Dealer is:

Manufactured for  
MQ Power Inc.  
by  
DENYO CO., LTD, JAPAN

**MQ**  
**POWER®**