



Parts Manual

Onan Generator Set for Commercial Mobile

HGJAD (Spec A–E, J–K, M)

HGJAE (Spec A–E, J–M)

HGJAF (Spec A–C, M)

Introduction

This parts catalog applies to the standard generator sets listed below. Parts are arranged in groups of related items and each illustrated part is defined by a reference number corresponding to the same reference number in the parts list. Parts illustrations are typical. Using the model and specification number from your generator set nameplate, select parts that apply to your set. Right and left sides are determined by facing the engine end (front) of the set.

Generator Set Data Table

Model Identification	Fuel	Wiring Diagram	Voltage	Hertz	Phase
5.5HGJAD1911A/B/C	Gasoline (EFI)	611-1274	120/240	60	1
5.5HGJAD2138A/BC	Gasoline (EFI)	611-1274	120	60	1
5.5HGJAD2140A/B/C	Gasoline (EFI)	611-1274	120/240	60	1
5.5HGJAD2142A/B/C	Gasoline (EFI)	611-1274	120/240	60	3
5.5HGJAD2243A/B/C	Gasoline (EFI)	611-1274	120	60	1
5.5HGJAD2558J	Gasoline (EFI)	611-1274	120	60	1
5.5HGJAD3251J	Gasoline (EFI)	611-1274	120	60	1
5.5HGJAD3385J	(EFI)/EVAP	611-1274	120	60	1
5.5HGJAD7860J	Gasoline (EFI)	611-1274	120	60	1
5.8HGJAD2100J	Gasoline (EFI)	611-1274	230	50	1
5.8HGJAD2200J	Gasoline (EFI)	611-1274	230	50	1
7HGJAD1910A/B/C	Gasoline (EFI)	611-1274	120/240	60	1
7HGJAD2139A/B/C	Gasoline (EFI)	611-1274	120	60	1
7HGJAD2141A/B/C	Gasoline (EFI)	611-1274	120/240	60	1
7HGJAD2141J	Gasoline (EFI)	611-1274	120/240	60	1
7HGJAD2143A/B/C	Gasoline (EFI)	611-1274	120/240	60	3
7HGJAD2244A/B/C	Gasoline (EFI)	611-1274	120	60	1
7HGJAD2559A/B/C	Gasoline (EFI)	611-1274	120	60	1
7HGJAD2560A/B/C	Gasoline (EFI)	611-1274	120/240	60	1
7HGJAD2560J	Gasoline (EFI)	611-1274	120/240	60	1
7HGJAD3240J	Gasoline (EFI)	611-1274	120/240	60	1
7HGJAD7871J	Gasoline (EFI)	611-1274	120	60	1
7HGJAD8300J	Gasoline (EFI)	611-1273	120	60	1
5.5HGJAE2131A/B/C	Gasoline	611-1273	120	60	1
5.5HGJAE2133A/B/C	Gasoline	611-1273	120/240	60	1
5.5HGJAE2135A/B/C	Gasoline	611-1273	120/240	60	1
5.5HGJAE2136A/B/C	Gasoline	611-1273	120/240	60	3
5.5HGJAE2144A/B/C	LPG	611-1273	120/240	60	1
5.5HGJAE3242K	Gasoline	611-1273	120/240	60	1
5.5HGJAE3246K	Gasoline	611-1273	120/240	60	1
5.5HGJAE3255J	LPG	611-1273	120/240	60	1
5.5HGJAE7868K	EVAP	611-1273	120/240	60	1
6.5HGJAE2145A/B/C	LPG	611-1273	120/240	60	1
6.5HGJAE3256J	LPG	611-1273	120/240	60	1
6.5HGJAE4665J	LPG	611-1273	120/240	60	1
7HGJAE1912A/B/C	Gasoline	611-1273	120/240	60	1
7HGJAE2023K	Gasoline	611-1273	120/240	60	1
7HGJAE2132A/B/C	Gasoline	611-1273	120	60	1
7HGJAE2134A/B/C	Gasoline	611-1273	120/240	60	1
7HGJAE2137A/B/C	Gasoline	611-1273	120/240	60	3
7HGJAE2556A/B/C	Gasoline	611-1273	120/240	60	1
7HGJAE3243K	Gasoline	611-1273	120/240	60	1

Generator Set Data Table

Model Identification	Fuel	Wiring Diagram	Voltage	Hertz	Phase
7HGJAE7869K	Gasoline	611-1273	120/240	60	1
5.5HGJAF1914A/B/C	Gasoline	611-1273	120/240	60	1
5.5HGJAF1916A/B/C	Gasoline	611-1273	120/240	60	3
5.5HGJAF1917A/B/C	Gasoline	611-1273	120/240	60	1
5.5HGJAF2108A/B/C	Gasoline	611-1273	120	60	1
5.5HGJAF2109A/B/C	LPG	611-1273	120/240	60	1
6.5HGJAF2113A/B/C	LPG	611-1273	120/240	60	1
7HGJAF1913A/B/C	Gasoline	611-1273	120/240	60	1
7HGJAF2110A/B/C	Gasoline	611-1273	120/240	60	1
7HGJAF2111A/B/C	Gasoline	611-1273	120	60	1
7HGJAF2112A/B/C	Gasoline	611-1273	120/240	60	3

* - The specification number denotes customer requested options or deviations from a standard (1A, 1B, etc.) model. The specification letter advances (A, to B, to C, etc.) with major manufacturing changes.

Index

A

Adapter, Fuel Line, **17**
Adapter, Hydraulic w/PTO, **7 , 8**
Adapter, LP Pipe, **26**
Adapter, Pipe 3/8 NPT, **26**
Arm, Rocker, **12 , 13**
Arm, Tensioner, **14**

B

Backplate, Fan, **14**
Baffle, Exhaust LP and Gasoline, **34**
Ball, Oil Pump Steel, **29 , 31**
Base, Mounting, **37**
Bearing, Flywheel Drive, **14**
Bearing, Generator Rotor Ball, **44**
Bearing, Governor Shaft Needle, **15 , 16**
Bearing, Main, **7 , 8**
Bearing, Thrust, **29 , 31**
Belt, **14**
Block, Cylinder, **7 , 8**
Block, Generator Brush, **44**
Body, Assy, Throttle, **20**
Body, Throttle, **19 , 20**
Boot, Rubber Battery, **37**
Boot, Rubber Wiring, **37**
Bracket, Generator Stab, **44**
Bracket, Regulator, **25**
Bracket, Speed Control, **15 , 16**
Breaker, Circuit, **46**
Brush, Generator, **44**
Bulkhead, EFI, **23**
Bushing, Governor, **15 , 16**
Bushing, Regulator Reducer, **25**
Bushing, Tensioner, **14**

C

Camshaft, **12 , 13**
Carburetor, Gasoline, **17 , 18**
Clamp, **19**

Cleaner, Air, **27**
Clip, Brush (HGJAF), **41**
Clip, Brush Seal (HGJAD, HGJAE), **39**
Clip, Cylinder Shroud Wire, **36**
Clip, Hose, **7 , 8**
Clip, Piston Pin, **10 , 11**
Coil, Ignition, **37**
Collet, Valve, **12 , 13**
Components, EFI Throttle Body, **20**
Components, Fuel Rail, **21**
Connector, EFI Manifold Hose, **21**
Connector, Fuel Pump Hose, **17 , 18**
Control, **46**
Control, PCB, **46**
Coupling, Flywheel, **14**
Cover Assy, Inlet (HGJAF), **41**
Cover, Access, **32**
Cover, Air Cleaner, **27**
Cover, Air Inlet, **40**
Cover, Breather, **7 , 8**
Cover, Control, **46**
Cover, Drip Pan Air Inlet (HGJAD, HGJAE), **40**
Cover, Main Bearing, **29 , 31**
Cover, Oil Filter (HGJAD, HGJAE), **39**
Cover, Oil Filter (HGJAF), **41**
Cover, Oil Pump, **29 , 31**
Cover, PTO (Units with PTO), **43**
Cover, Rocker, **7 , 8**
Cover, Switch, **46**
Cover, Throttle Body, **20**
Crankshaft, **10 , 11**

D

Door, Assy (HGJAD, HGJAE), **42**
Door, Enclosure, **43**

E

Elbow, 90 Degree Supply Hose, **23**
Elbow, Conduit (HGJAD, HGJAE), **39**

Index

Elbow, Conduit (HGJAF), **41**
Elbow, EFI Bulkhead 90 Degree Hose, **23**
Elbow, Fuel Filter Street, **17**
Elbow, LP Bulkhead 90 Degree Pipe, **26**
Elbow, LP Solenoid 90 Degree Street, **26**
Elbow, Regulator Pipe, **25**
Element, Air Cleaner, **27**
Endbell, **44**
Engine, Replacement, **7 , 8**

F

Fan, Generator, **14**
Filter, Gasoline Fuel, **17 , 18**
Filter, Oil, **29 , 31**
Filter, Oil Pump, **29 , 31**
Fitting, EFI Bulkhead, **23**
Fitting, LP Bulkhead, **26**
Flywheel, **14**
Fuel System, **19**

G

Gasket, **19**
Gasket, Breather Plate, **7 , 8**
Gasket, Cylinder Head, **7 , 8**
Gasket, Exhaust Manifold, **33**
Gasket, Gasoline Carburetor, **17 , 18**
Gasket, Gasoline Intake Manifold, **17 , 18**
Gasket, LP Carburetor, **24**
Gasket, LP Intake Manifold, **24**
Gasket, Main Bearing Cover, **29 , 31**
Gasket, Muffler (HGJAD, HGJAE), **34**
Gasket, Rocker Cover, **7 , 8**
Gasket-Throttle_Body (Foam), **20**
Gasket-Throttle_Body (Foam-, **20**
Gauge, Oil, **29 , 31**
Gear, Governor, **29 , 31**
Generator, **44**
Governor, **15 , 16**
Grommet, Drip Pan (HGJAD, HGJAE), **39**
Grommet, Ignition, **37**

Grommet, Pin, **43**
Grommet, Remote, **43**
Guide, Valve, **7 , 8**

H

Harness, AC Output, **46**
Harness, EFI Engine, **48 , 49 , 50**
Harness, LP, Gasoline Engine, **47**
Head, Cylinder, **7 , 8**
Hose, Air, **37**
Hose, Bulk (3/8"ID), **25**
Hose, EFI Vacuum, **21**
Hose, Fuel, **19**
Hose, Gasoline Fuel, **17 , 18**
Hose, LP Fuel, **24 , 25**
Hose, Oil Drain, **29 , 31**
Hourmeter, **46**
Housing, Air Cleaner, **27**
Housing, Genset (HGJAD, HGJAE), **42 , 43**
Hub, Governor, **15 , 16**
Hydraulic Pump (HGJAE, HGJAF), **9**
Hydraulic, Pump, **9**

I

Injector, EFI Fuel, **21**
inside), **20**
Insulation, Cover, **43**
Insulation, Door, **43**
Insulation, Exhaust Manifold (HGJAF), **33**
Insulation, Inlet Baffle (HGJAD, HGJAE), **40**
Insulation, Sound, **32**
Insulator, Gasoline Carburetor, **17 , 18**
Insulator, LP Carburetor, **24**
Isolator, **19**
Isolator, Rubber (HGJAD, HGJAE), **39**
Isolator, Rubber (HGJAF), **41**
Isolator, Snubber (HGJAD, HGJAE), **39**
Isolator, Snubber (HGJAF), **41**
Isolator, Spring (HGJAD, HGJAE), **39**
Isolator, Spring (HGJAF), **41**

Index

Isolator, Vibration Spring (HGJAD, HGJAE), **39**

K

Key, Crankshaft, **14**

Kit, Carburetor, **17 , 18**

Kit, Fuel System, **22**

Kit, Remote Fuel Pump, **22**

Kit, Screws, **43**

L

Labels, Accessories, **52**

Latch, Door, **43**

Lever, Governor, **15 , 16**

Link, Throttle, **15 , 16**

M

Main Bearing Cover, **28 , 30**

Manifold, Intake, **19**

Manifold, EFI Intake, **21**

Manifold, Exhaust, **33**

Manifold, Gasoline Intake, **17 , 18**

Manifold, LP Intake, **24**

Mixer, LP Fuel Low Pressure, **24**

Mixer, LP Low Pressure, **24**

Module, Secondary Air , **32**

Mounting Bolt Kit, **37**

Muffler (HGJAD, HGJAE), **34**

N

Nipple, LP Solenoid Pipe, **26**

Nut, Push-on, **43**

O

O'Ring, **29 , 31**

O'Ring, EFI Injector, **21**

O'Ring, Generator, **44**

O'Ring, Oil Gauge, **29 , 31**

O'Ring, Oil Pump Cover, **29 , 31**

Orifice, **32**

Overhaul Kit (Gasket Kit), **51**

P

Pad, Heatsink, **37**

Pan, Drip (HGJAD, HGJAE), **39**

Pan, Drip (HGJAF), **41**

Pin, Cylinder Block Dowel, **7 , 8**

Pin, Governor Shaft Snap, **15 , 16**

Pin, Latch, **43**

Pin, Piston, **10 , 11**

Piston, **10 , 11**

Pivot, Rocker Arm, **12 , 13**

Plate, Breather, **7 , 8**

Plate, Guide, **12 , 13**

Plate, Leaf Valve Retainer, **7 , 8**

Plug, Cylinder Block Blind, **7 , 8**

Plug, Drain, **29 , 31**

Plug, Drip Pan (HGJAD, HGJAE), **39**

Plug, Inlet Cover Hole (HGJAD, HGJAE), **40**

Plug, Main Bearing Cover Blind, **29 , 31**

Plug, Pipe, **26**

Plug, Spark, **7 , 8**

Pulley, Flywheel Drive, **14**

Pulley, Generator, **14**

Pulley, Tensioner, **14**

Pump, Fuel, **17 , 18 , 22**

R

Rail Assy, Fuel O'Ring, **21**

Regulator, Battery Charger, **37**

Regulator, EFI Fuel Rail Pressure, **21**

Regulator, Fuel LP Low Pressure, **25**

Regulator, LP Low Pressure, **25**

Remote Fuel Pump Kit, **22**

Retainer, Inlet Cover Insulation (HGJAD, HGJAE), **40**

Retainer, Screw, **20**

Retainer, Valve Spring, **12 , 13**

Ring, Collector, **44**

Index

Ring, EFI Pressure Regulator Snap, **21**
Rod, Connecting, **10 , 11**
Rod, Push, **12 , 13**
Rotor, Generator, **44**
Rotor, Oil Pump, **29 , 31**

S

Screen, Vent, **26**
Seal, Air Intake (HGJAD, HGJAE), **39**
Seal, Air Intake (HGJAF), **41**
Seal, Brush (HGJAD, HGJAE), **39**
Seal, Brush (HGJAF), **41**
Seal, Cover (2736mm), **43**
Seal, Cylinder Block Oil, **7 , 8**
Seal, Exhaust Valve, **7 , 8**
Seal, Intake Valve, **7 , 8**
Seal, Main Bearing Case Oil, **29 , 31**
Secondary Air-Module, **32**
Sensor, EFI Manifold Air Temperature, **21**
Sensor, Map, **21**
Sensor, Temperature, **35**
Set, Piston Ring, **10 , 11**
Shaft, Governor Lever, **15 , 16**
Shaft, Oil Pump, **29 , 31**
Shield, Exhaust Manifold (HGJAD, HGJAE), **33**
Shield, Heat, **43**
Shroud, Air Cylinder, **36**
Shroud, Fan, **38**
Silencer, **35**
Silencer, Exhaust, **35**
Sleeve, Governor, **29 , 31**
Sleeve, Nylon, **19**
Snubber, Exhaust Spring (HGJAD, HGJAE), **34**
Solenoid, Fuel, **17 , 18**

Solenoid, LP Shutoff, **26**
Spacer, Crankshaft, **10 , 11**
Spacer, Governor Shaft, **15 , 16**
Spacer, LP Solenoid, **26**
Spring, Generator Brush, **44**
Spring, Governor, **15 , 16**
Spring, Governor Tension, **15 , 16**
Spring, Relief Valve, **29 , 31**
Spring, Tensioner Arm, **14**
Spring, Torsion, **20**
Spring, Valve, **12 , 13**
Standoff, Insulated, **37**
Starter (Mounting), **29 , 31**
Stator, Generator, **44**
Stator, Throttle Body, **20**
Strap, Bond (HGJAD, HGJAE), **39**
Strap, Bond (HGJAF), **41**
Switch, Oil Pressure, **29 , 31**
Switch, Rocker, **46**

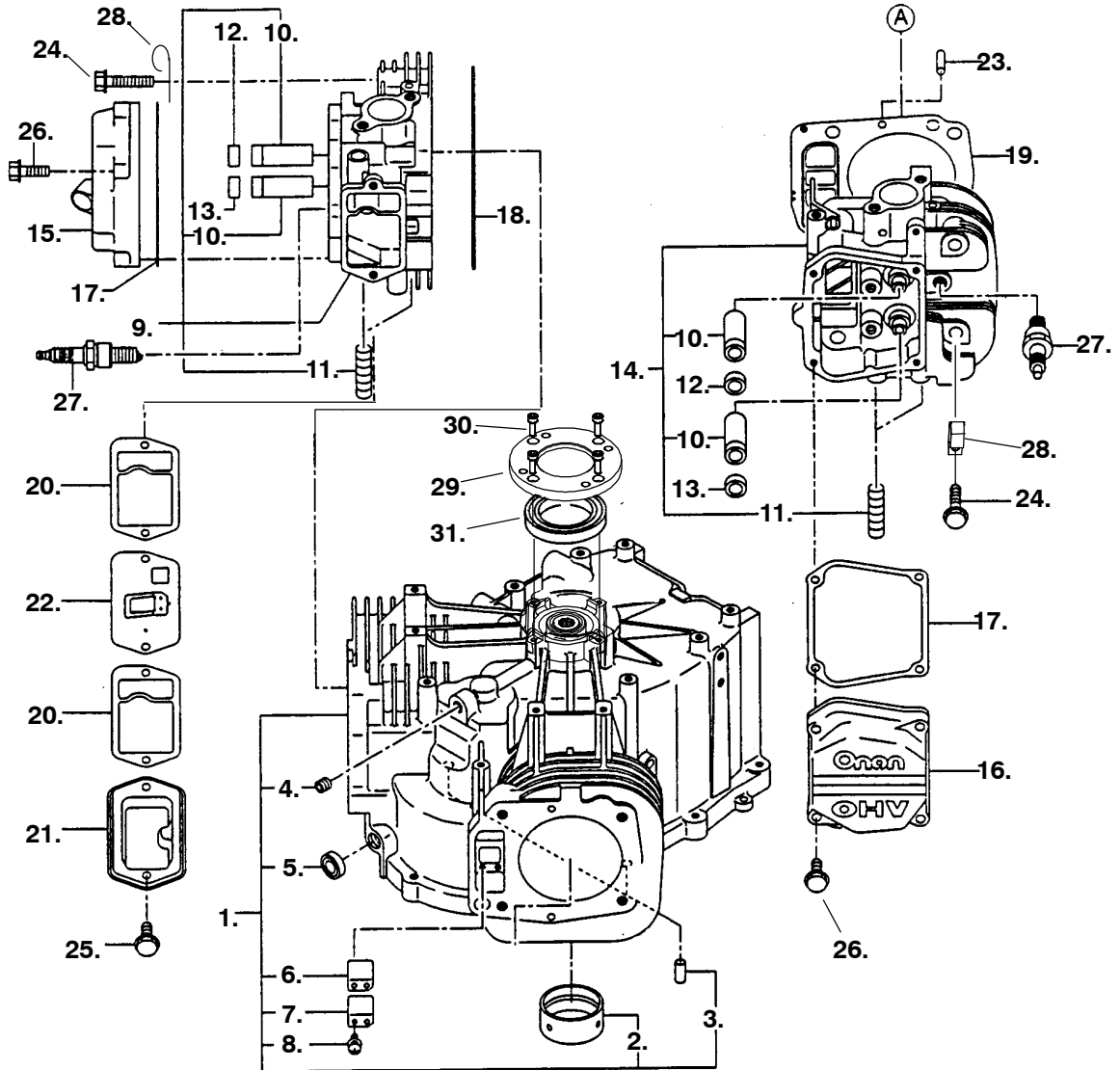
T

Tappet, **12 , 13**
Tee, LP Solenoid Pipe, **26**
Tube, Breather, **27**
Tube, Exhaust, **34**

V

Valve, **12 , 13 , 32**
Valve, Leaf, **7 , 8**
Valve, LP Fuel Shutoff, **26**
Valve, LP Solenoid Shutoff, **26**
Valve, Oil Drain, **29 , 31**

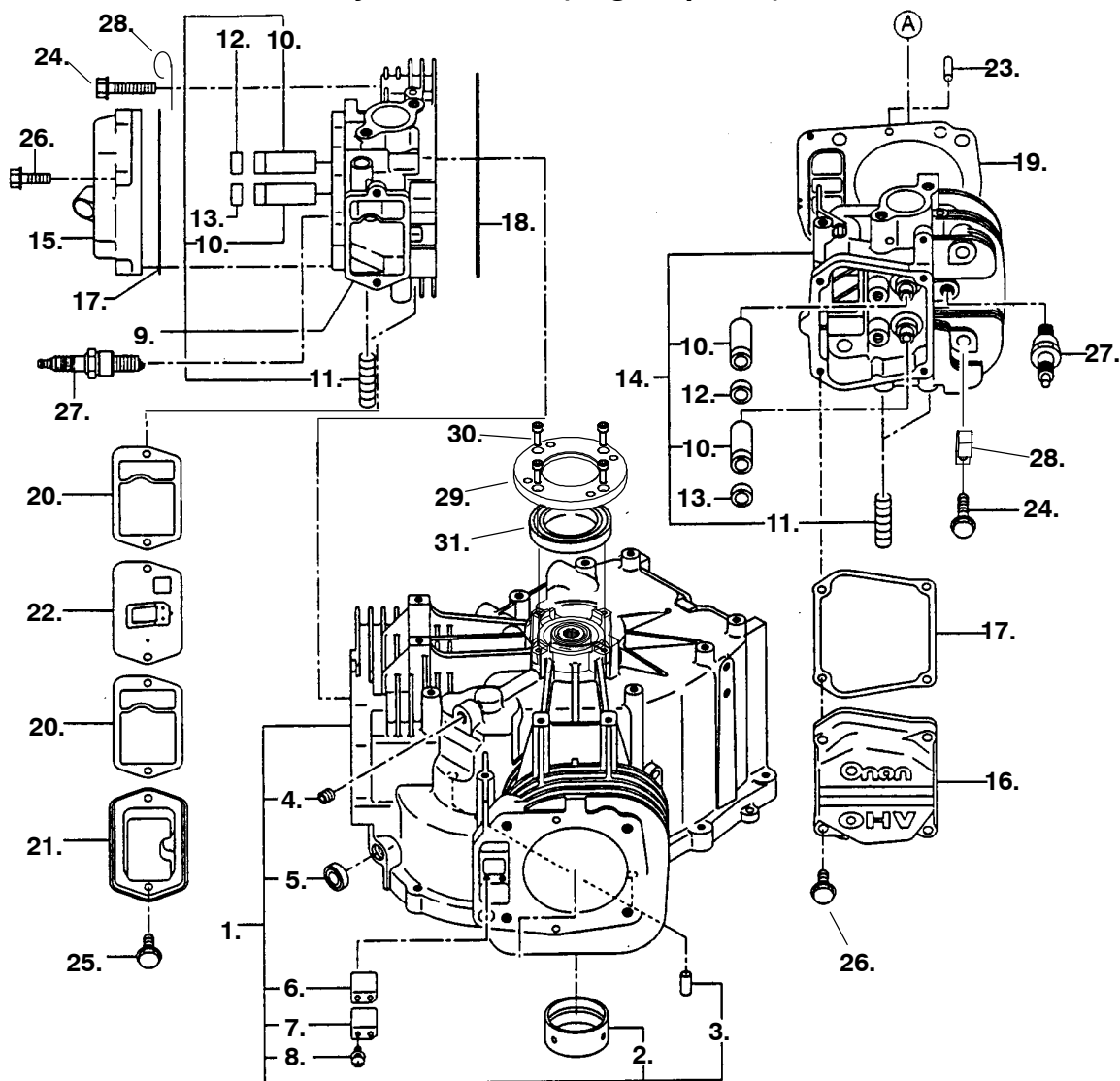
Cylinder Block (HGJAD Spec A-E, J-K, HGJAE Spec A-E, J-L, HGJAF Spec A-C)



REF NO.	PART NO.	QTY USED	PART DESCRIPTION	REF NO.	PART NO.	QTY USED	PART DESCRIPTION
			Engine, Replacement				Guides and Studs)
	A056M508	1	EFI w/PTO	15.	110-3929	1	Cover, Rocker (1)
	A056M510	1	EFI w/o PTO	16.	110-3930	1	Cover, Rocker (2)
	A056M514	1	Carb w/PTO	17.	187-6236	2	Gasket, Rocker Cover
	A056M512	1	Carb w/o PTO	18.	187-6224	1	Gasket, Cylinder Head (1)
1.			Block Assy, Cylinder (Includes Parts Marked *)	19.	187-6230	1	Gasket, Cylinder Head (2)
	187-6223	1	w/o PTO	20.	187-6025	2	Gasket, Breather Plate
	110-3939	1	w/PTO	21.	187-6026	1	Cover, Breather
2.	187-6001	1	*Bearing, Main	22.	187-6238	1	Plate, Breather
3.	187-6002	2	*Pin, Dowel	23.	187-6030	4	Pin, Dowel
4.	187-6005	1	*Plug, Blind (w/Sealant)	24.	187-6033	8	Bolt, Flange
5.	187-6006	1	*Seal, Oil	25.	187-6035	2	Bolt, Flange
6.	187-6225	2	*Valve, Leaf	26.	187-6241	8	Bolt, Flange
7.	187-6226	2	*Plate, Retainer	27.	167-1638	2	Plug, Spark
8.	187-6227	4	*Screw/Washer Assy	28.			Clip, Hose
9.	187-6232	1	Head, Cylinder (1) (Includes Guide and Stud w/ Breather)		518-0533	2	EFI Sets
					518-0533	1	LP Sets
10.	187-6233	4	Guide, Valve	29.	121-0130	1	Adapter, Hydraulic (w/PTO)
11.	187-6016	4	Stud	30.	725-1006	4	Screw, Socket Head (w/PTO)
12.	187-6015	2	Seal, Intake Valve	31.	187-6107	1	Seal, Shaft (w/PTO)
13.	187-6234	2	Seal, Exhaust Valve				
14.	187-6235	1	Head, Cylinder (2) (Includes				

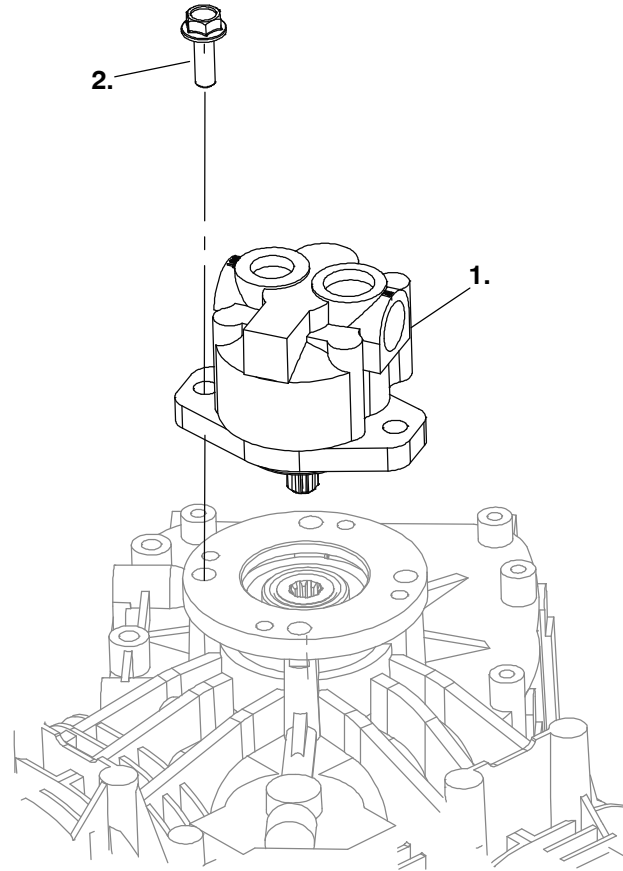
* - Parts Included in Cylinder Block Assy.

Cylinder Block (Begin Spec M)



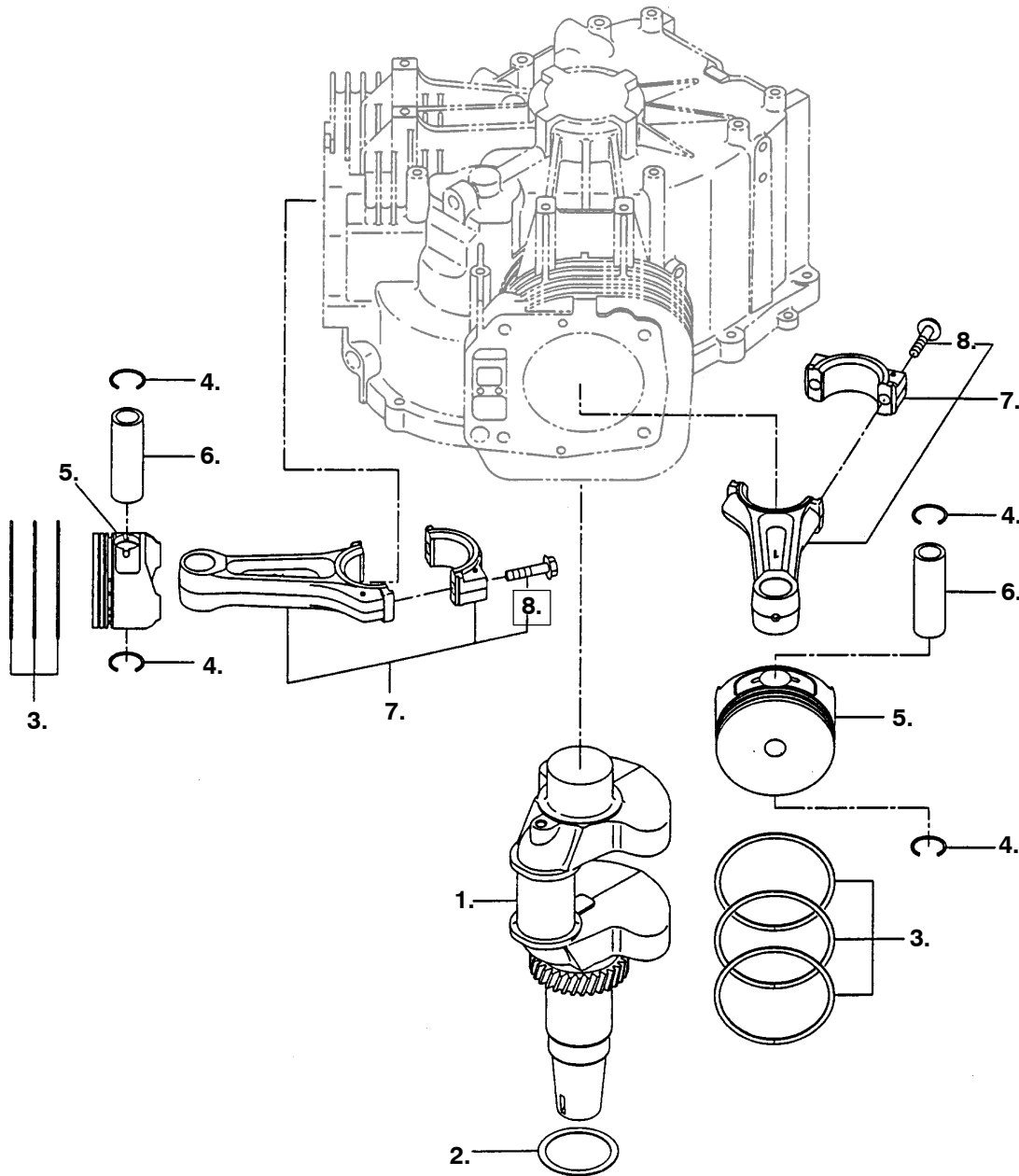
REF NO.	PART NO.	QTY USED	PART DESCRIPTION	REF NO.	PART NO.	QTY USED	PART DESCRIPTION
			Engine, Replacement	14.	A063H438	1	Head, Cylinder (2) (Includes Guides and Studs)
	A064B161	1	EFI w/PTO	15.	A063K685	1	Cover, Rocker (1)
	A064B162	1	EFI w/o PTO	16.	A063H432	1	Cover, Rocker (2)
	A064B164	1	Carb w/PTO	17.	A063H618	2	Gasket, Rocker Cover
	A064B163	1	Carb w/o PTO	18.	A063H353	1	Gasket, Cylinder Head (1)
1.			Block Assy, Cylinder (Includes Parts Marked *)	19.	A063K677	1	Gasket, Cylinder Head (2)
	A063H423	1	w/o PTO	20.	A063K682	2	Gasket, Breather Plate
	110-3939	1	w/PTO	21.	A063H431	1	Cover, Breather
2.	187-6001	1	*Bearing, Main	22.	A063H440	1	Plate, Breather
3.	187-6002	2	*Pin, Dowel	23.	A063H434	4	Pin, Dowel
4.	A063H420	1	*Plug, Blind (w/Sealant)	24.	A063H435	8	Bolt, Flange
5.	A063H425	1	*Seal, Oil	25.	A063K726	2	Bolt, Flange
6.	A063H427	2	*Valve, Leaf	26.	187-6241	8	Bolt, Flange
7.	A063K680	2	*Plate, Retainer	27.	167-1638	2	Plug, Spark
8.	A063K662	4	*Screw/Washer Assy	28.			Clip, Hose
9.	A063H356	1	Head, Cylinder (1) (Includes Guide and Stud w/ Breather)		518-0533	2	EFI Sets
					518-0533	1	LP Sets
10.	187-6233	4	Guide, Valve	29.	121-0130	1	Adapter, Hydraulic (w/PTO)
11.	187-6016	4	Stud	30.	725-1006	4	Screw,Socket Head (w/PTO)
12.	A063H357	2	Seal, Intake Valve	31.	187-6107	1	Seal, Shaft (w/PTO)
13.	A063H430	2	Seal, Exhaust Valve				* - Parts Included in Cylinder Block Assy.

Hydraulic Pump HGJAE/HGJAF



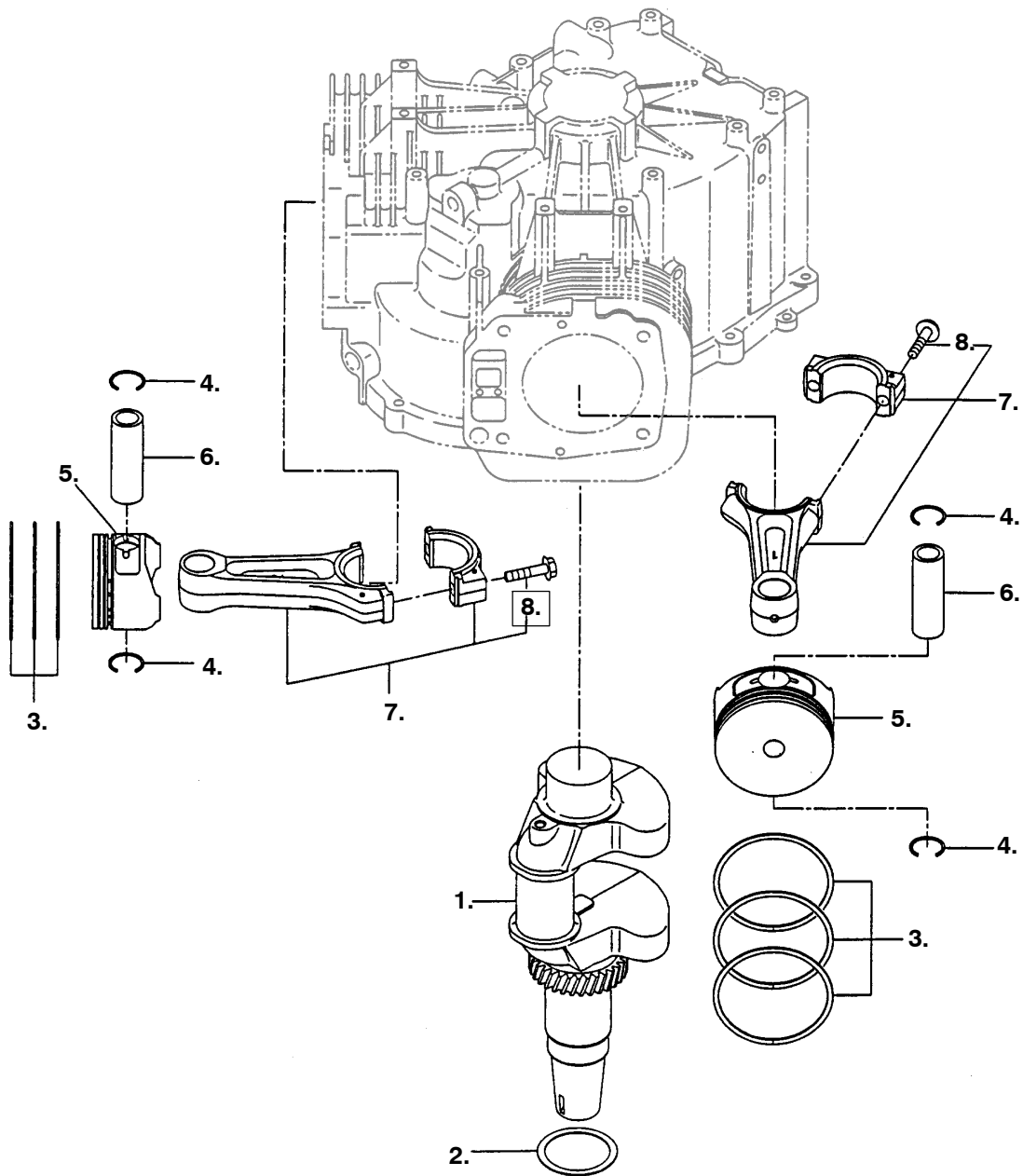
REF NO.	PART NO.	QTY USED	PART DESCRIPTION
1.	121-0122-02	1	Hydraulic, Pump
2.	815-0954-03	2	Screw, Flange Head Machine (M8 x 1.25 x 25mm)

Crankshaft (HGJAD Spec A-E, J-K, HGJAE Spec A-E, J-L, HGJAF Spec A-C)



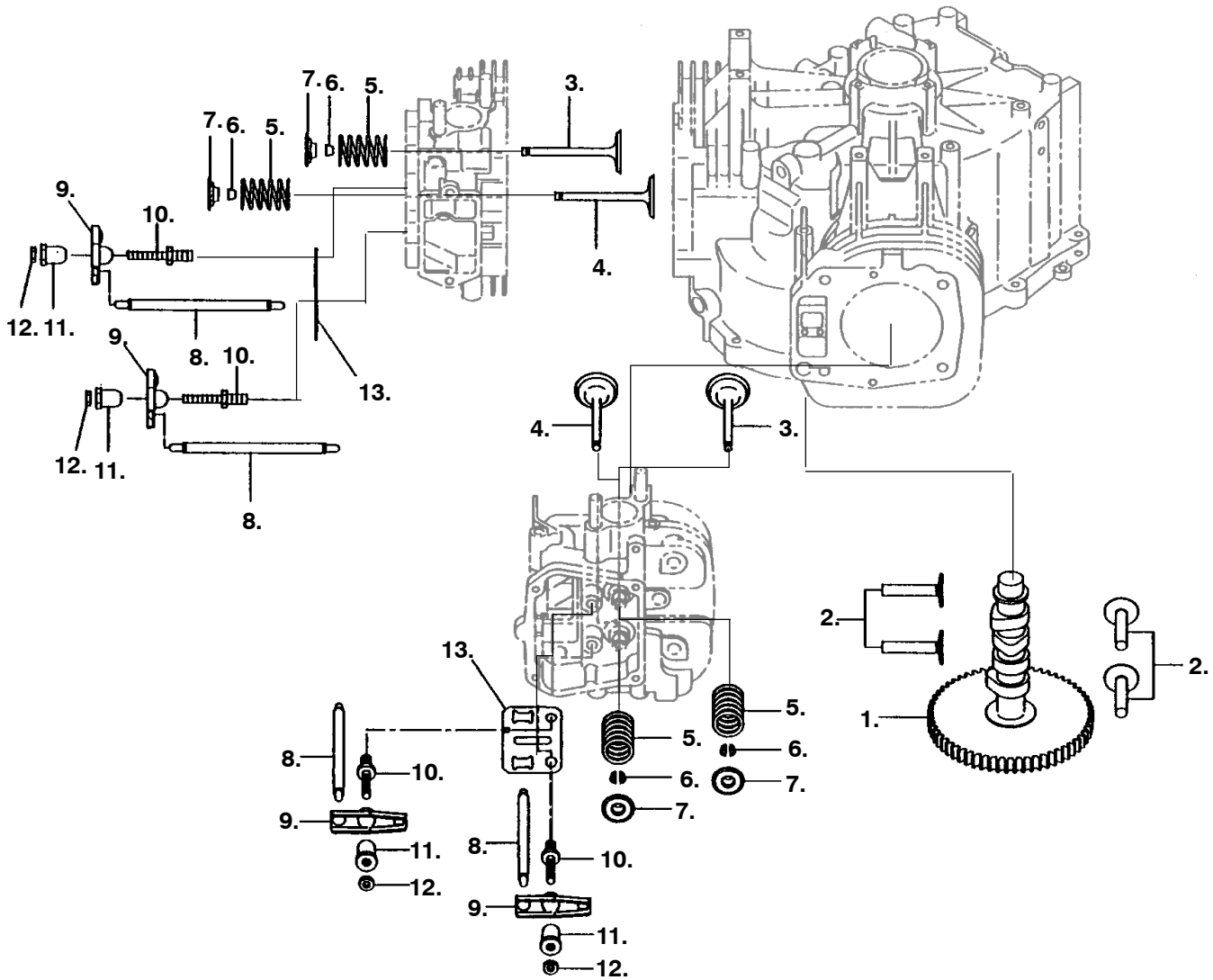
REF NO.	PART NO.	QTY USED	PART DESCRIPTION	REF NO.	PART NO.	QTY USED	PART DESCRIPTION
1.	187-6242	1	Crankshaft w/o PTO	4.	187-6045	4	Clip
	104-1978	1	w/PTO	5.	187-6042	2	Piston Standard
2.	187-6249	1	Spacer 0.6		187-6245	2	0.25 Oversize
	187-6250	1	0.8		187-6246	2	0.50 Oversize
	187-6251	1	1.0	6.	187-6043	2	Pin, Piston
3.	187-6044	2	Set, Piston Ring Standard	7.	187-6243	2	Rod, Connecting (Includes Bolt)
	187-6247	2	0.25 Oversize	8.	187-6244	4	Bolt, Connecting Rod
	187-6248	2	0.50 Oversize				

Crankshaft (Begin Spec M)



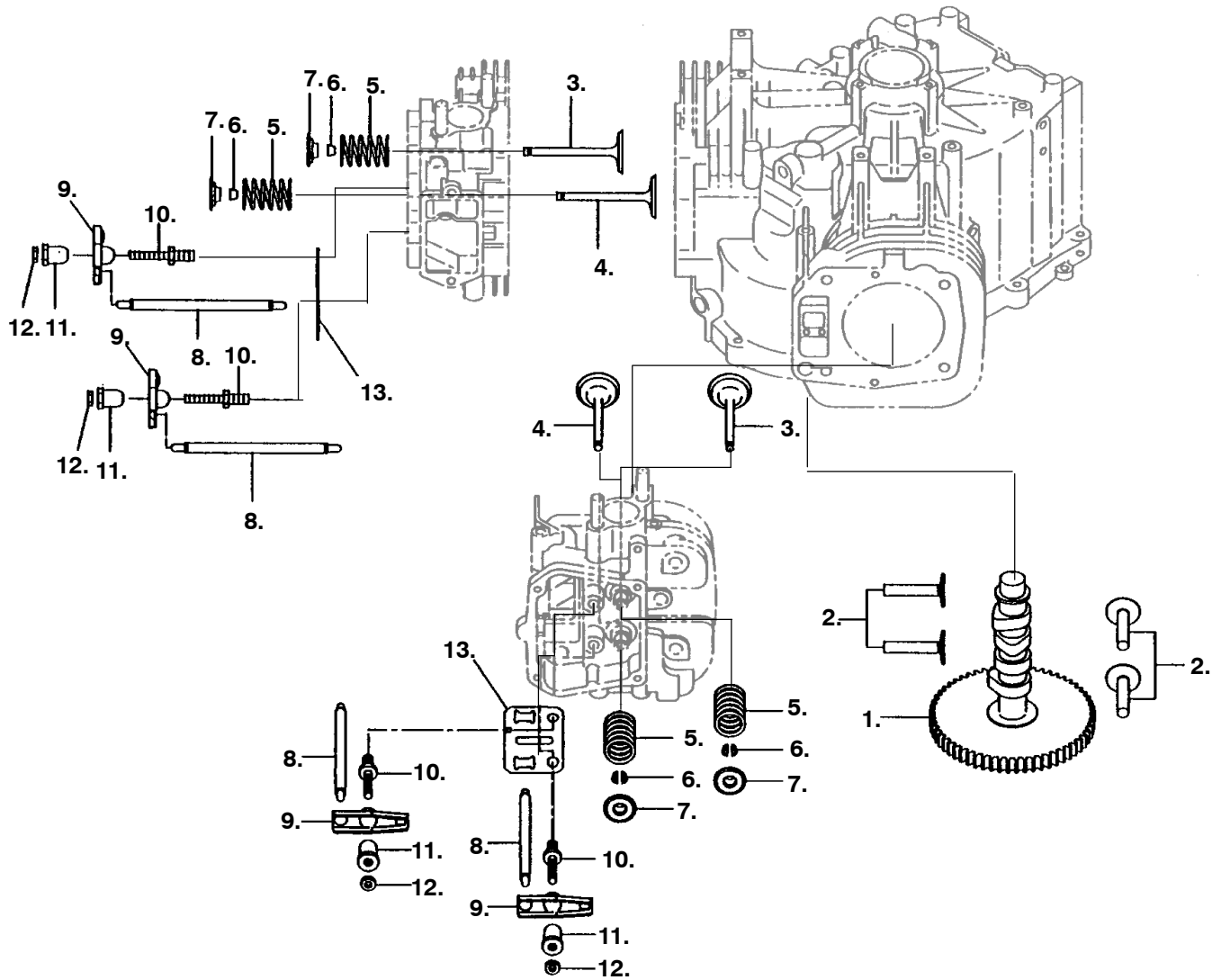
REF NO.	PART NO.	QTY USED	PART DESCRIPTION	REF NO.	PART NO.	QTY USED	PART DESCRIPTION
1.	A063H446	1	Crankshaft	4.	A063K687	4	Clip
	104-1978	1	w/o PTO	5.			Piston
2.			Spacer	187-6042	2	Standard	
	187-6249	1	0.6	187-6245	2	0.25 Oversize	
	A063H370	1	0.8	187-6246	2	0.50 Oversize	
	187-6251	1	1.0	6.	A063K697	2	Pin, Piston
3.			Set, Piston Ring	7.	A063H447	2	Rod, Connecting (Includes Bolt)
	A063K696	2	Standard	8.	187-6244	4	Bolt, Connecting Rod
	187-6247	2	0.25 Oversize				
	187-6248	2	0.50 Oversize				

Camshaft (HGJAD Spec A-E, J-K, HGJAE Spec A-E, J-L, HGJAF Spec A-C)



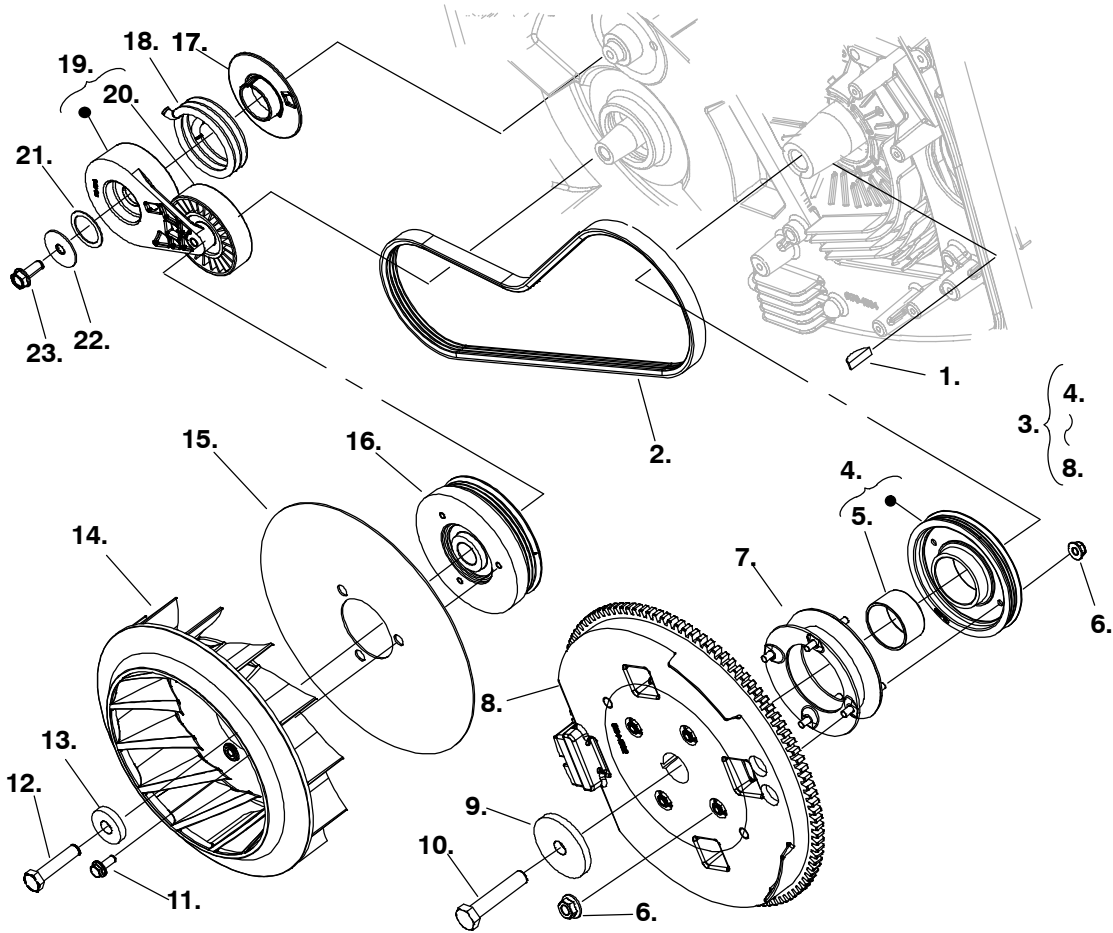
REF NO.	PART NO.	QTY USED	PART DESCRIPTION	REF NO.	PART NO.	QTY USED	PART DESCRIPTION
1.	187-6252	1	Camshaft	8.	187-6255	4	Rod, Push
2.	187-6055	4	Tappet	9.	187-6256	4	Arm, Rocker
3.	187-6056	2	Valve, Intake	10.	187-6257	4	Bolt, Pivot
4.	187-6057	2	Valve, Exhaust	11.	187-6258	4	Pivot
5.	187-6058	4	Spring, Valve	12.	187-6259	4	Nut
6.	187-6059	8	Collet, Valve	13.	187-6260	2	Plate, Guide
7.	187-6060	4	Retainer, Spring				

Camshaft (Begin Spec M)



REF NO.	PART NO.	QTY USED	PART DESCRIPTION	REF NO.	PART NO.	QTY USED	PART DESCRIPTION
1.	A063H587	1	Camshaft	8.	A063H380	4	Rod, Push
2.	187-6055	4	Tappet	9.	A063H584	4	Arm, Rocker
3.	A063H388	2	Valve, Intake	10.	A063H586	4	Bolt, Pivot
4.	A063H389	2	Valve, Exhaust	11.	A063H387	4	Pivot
5.	A062H392	4	Spring, Valve	12.	A063K705	4	Nut
6.	A063H347	8	Collet, Valve	13.	A063H391	2	Plate, Guide
7.	A063K703	4	Retainer, Spring				

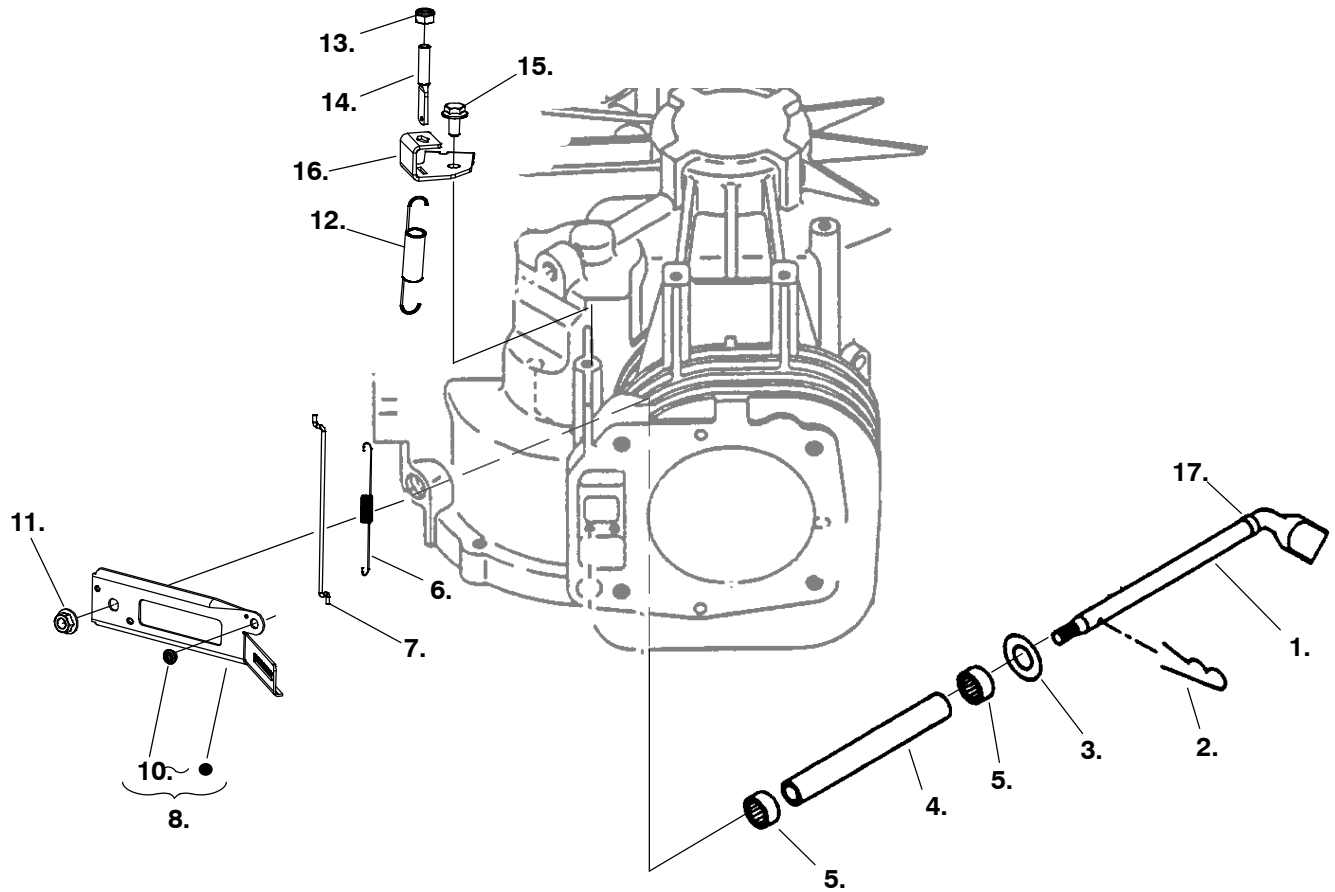
Drive



REF NO.	PART NO.	QTY USED	PART DESCRIPTION	REF NO.	PART NO.	QTY USED	PART DESCRIPTION
1.	515-0094	1	Key, Crankshaft Woodruff	12.	718-1058	1	Screw, Hex Head Cap (M10 x 45mm)
2.	511-0190-02	1	Belt 6.5 and 7kW	13.	526-0017	1	Washer, Flat (15/32" ID x 1.25" OD)
	511-0190-01	1	5.5kW	14.	205-0265	1	Fan, Generator
3.			Flywheel Assy (Includes Parts Marked *)	15.	A030C572	1	Backplate, Fan
	104-1958	1	Spec A	16.			Pulley, Generator
	104-2000	1	Begin Spec B		512-0200	1	6.5 and 7kW
4.			*Pulley Assy, Drive (Includes Bearing)		512-0194	1	5.5kW
	512-0208	1	Spec A	17.	190-0754	1	Bushing, Tensioner
	512-0243	1	Begin Spec B	18.	190-0753	1	Spring, Tensioner
5.			*Bearing	19.	190-0758	1	Arm Assy, Tensioner (Includes Pulley)
	104-1959	1	Spec A	20.	512-0199	1	Pulley, Tensioner
	510-0202-01	1	Begin Spec B	21.	190-0759	1	Washer, Tensioner
6.	870-2065-02	8	*Nut, Hex Flange	22.	526-0461	1	Washer, Flat (M9 x 34mm)
7.	512-0274	1	*Coupling	23.	815-0829-06	1	Screw, Hex Washer Head Thread Form (M8 x 1.25 x 20mm)
8.			*Flywheel				
	104-1953	1	Spec A				
	104-1999-02	1	Begin Spec B				
9.	526-0172	1	Washer, Flat (1/2" ID x 2.25" OD)				
10.	815-0930	1	Screw, Cap (M12 x 1.25 x .60mm)				
11.	821-2033	3	Screw, Lock Flange (M6 x 1 x 16mm)				

* - Parts Included in Flywheel Assy.

**Governor (HGJAD Spec A-E, J-K, HGJAE Spec A-E, J-L, HGJAF Spec A-C)
HGJAE/HGJAF**

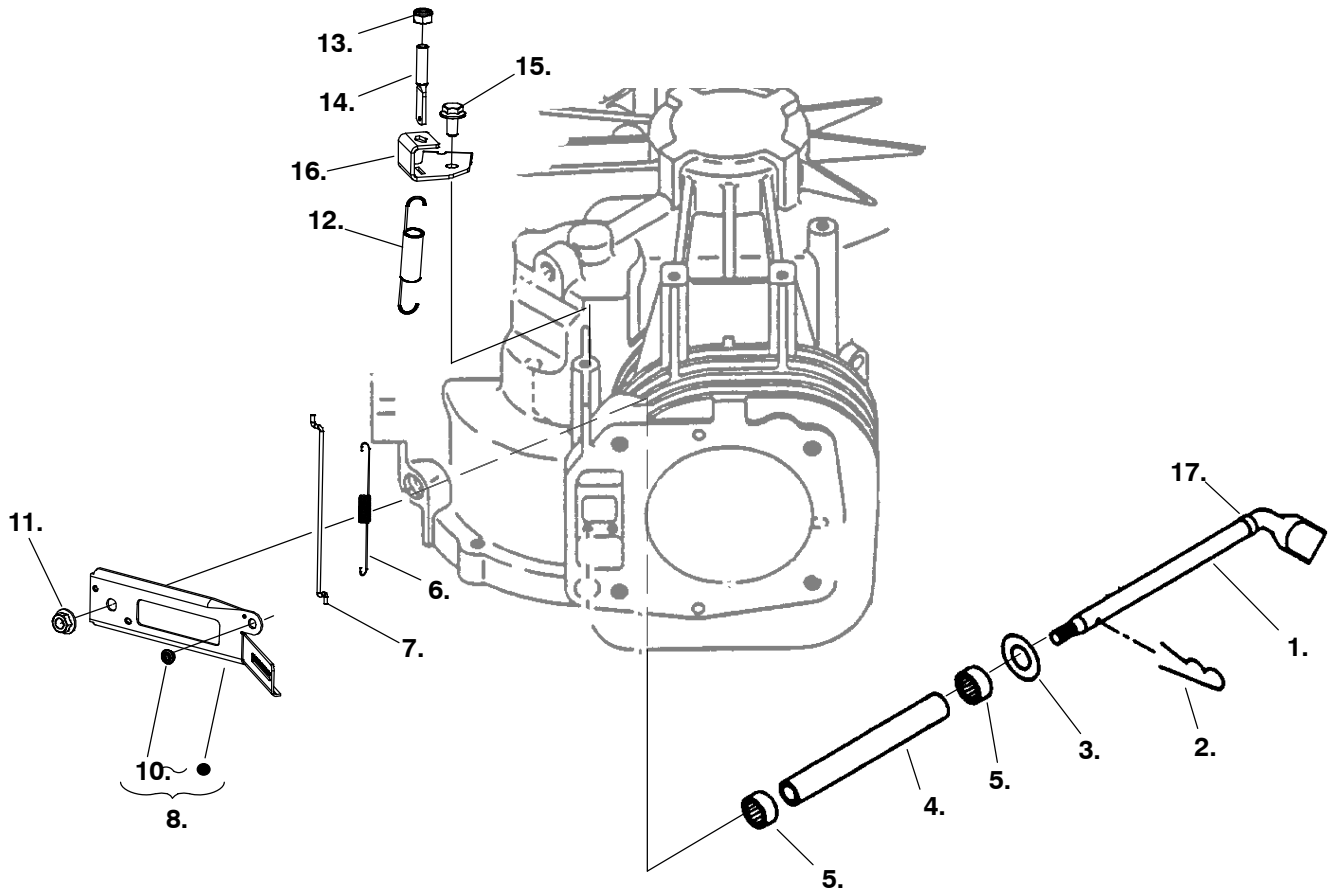


REF NO.	PART NO.	QTY USED	PART DESCRIPTION
1.	187-6270	1	Shaft, Governor Lever
2.	187-6085	1	Pin, Snap
3.	187-6092	1	Washer
4.	187-6271	1	Spacer
5.	187-6272	2	Bearing, Needle
6.	150-2748	1	Spring, Tension
7.	150-2745	1	Link, Throttle
8.	150-2771	1	Lever Assy, Governor (Includes Bushing)
9.	150-2742	1	Hub, Governor*
10.	505-1567	1	Bushing, Governor
11.	870-0558	1	Nut, Left Hand (M6 x 1)

REF NO.	PART NO.	QTY USED	PART DESCRIPTION
12.	150-2747	1	Spring, Governor 7.0 kW/6.5 kW
	151-0777	1	5.5 kW
13.	870-0506	1	Nut, Nylon Lock (M6 x 1)
14.	150-2744-02	1	Stud, Speed Adjust
15.	821-2032	1	Screw, Lock Flange (M6 x 1 x 12mm)
16.	150-2743	1	Bracket, Speed Control
17.	187-6006	2	Seal.

* - Included in Governor Lever Assy

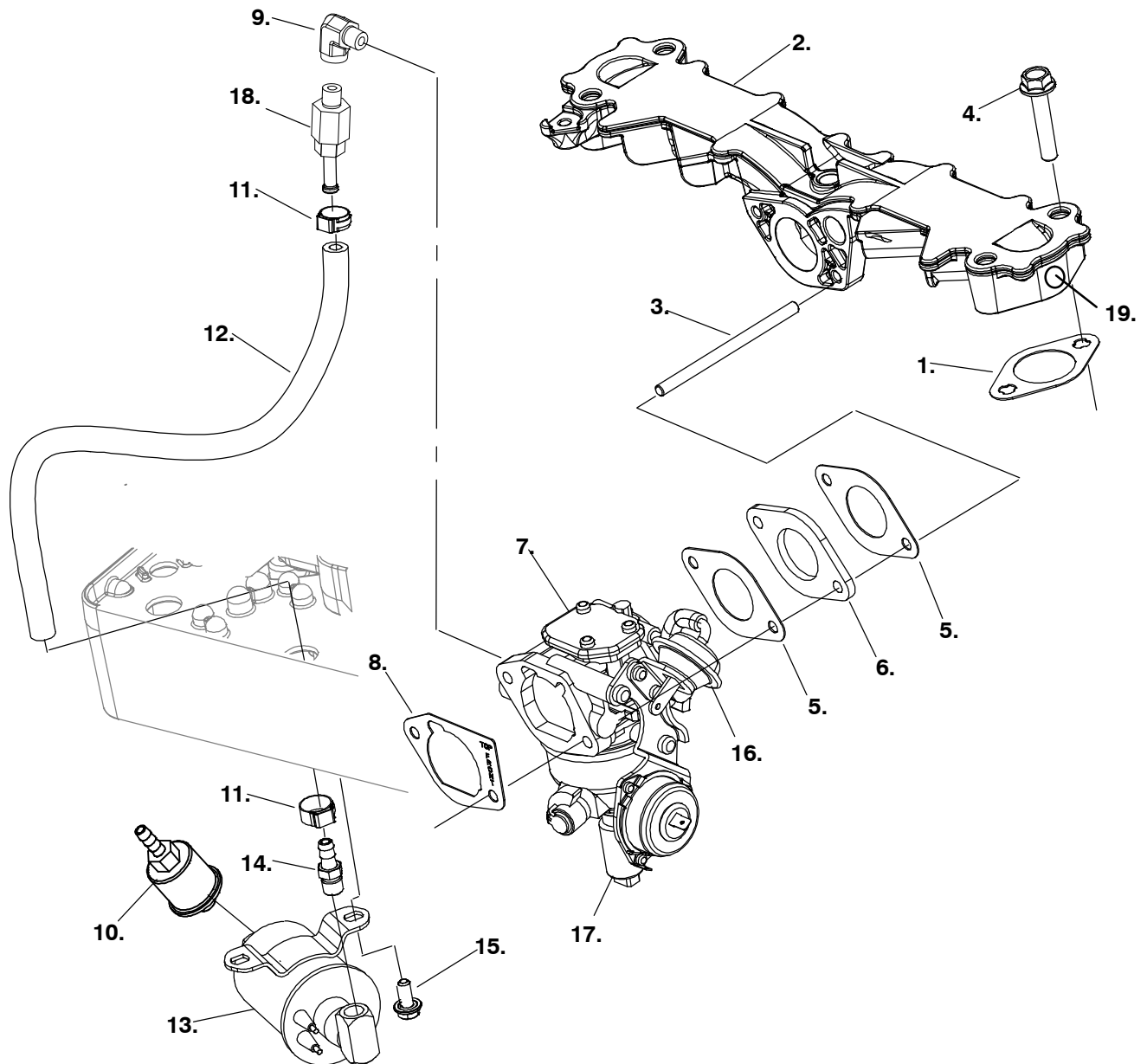
Governor (Begin Spec M) HGJAE/HGJAF



REF NO.	PART NO.	QTY USED	PART DESCRIPTION	REF NO.	PART NO.	QTY USED	PART DESCRIPTION
1.	A063H454	1	Shaft, Governor Lever	12.			Spring, Governor
2.	A063H453	1	Pin, Snap		150-2747	1	7.0 kW/6.5 kW
3.	A063H444	1	Washer		151-0777	1	5.5 kW
4.	A063K702	1	Spacer	13.	870-0506	1	Nut, Nylon Lock (M6 x 1)
5.	A063H445	2	Bearing, Needle	14.	150-2744-02	1	Stud, Speed Adjust
6.	150-2748	1	Spring, Tension	15.	821-2032	1	Screw, Lock Flange (M6 x 1 x 12mm)
7.	150-2745	1	Link, Throttle	16.	150-2743	1	Bracket, Speed Control
8.	150-2771	1	Lever Assy, Governor (Includes Bushing)	17.	187-6006	2	Seal.
9.	150-2742	1	Hub, Governor*				
10.	505-1567	1	Bushing, Governor				
11.	870-0558	1	Nut, Left Hand (M6 x 1)				

* - Included in Governor Lever Assy

Carburetor (Carb) (Spec A-E)

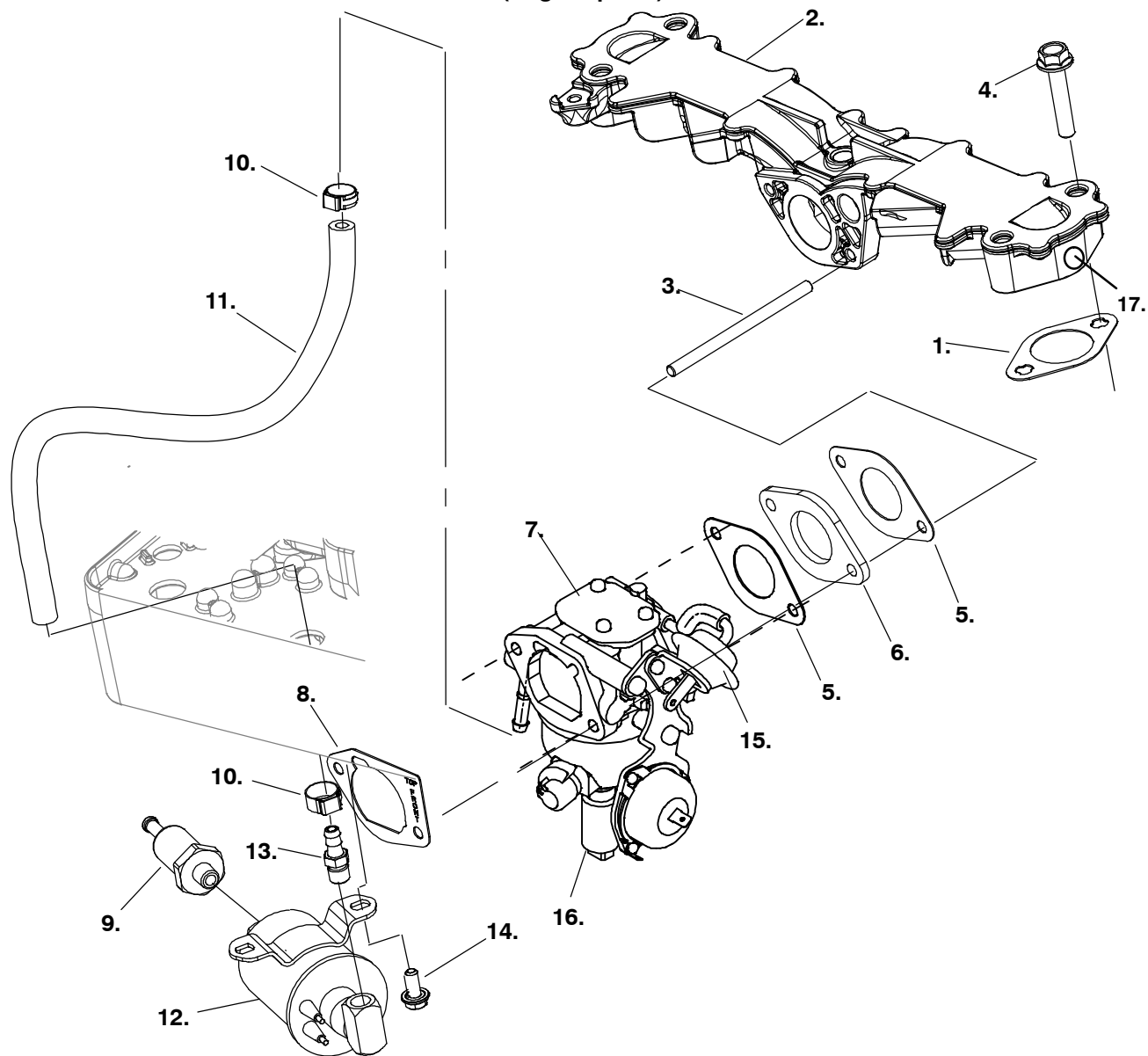


REF NO.	PART NO.	QTY USED	PART DESCRIPTION	REF NO.	PART NO.	QTY USED	PART DESCRIPTION
	541-0765	1	Kit, Carburetor (includes Gaskets)	13.	149-2620	1	Pump, Fuel
1.	154-3085	2	Gasket, Intake Manifold	14.	505-1572	1	Connector, Hose
2.	154-3067-01	1	Manifold, Intake	15.	815-0753	2	Screw, Hex Washer Head Thread Form (M6 x 1 x 14mm)
3.	520-1015	2	Stud (M6 x 1 x 96mm)	16.	541-1222	1	Kit, Piston
4.	815-0954-08	4	Screw, Flange Head Machine (M8 x 1.25 x 42mm)	17.	146-0795	1	Solenoid, Fuel
5.	141-0982	2	Gasket, Carburetor	18.	A029S253	1	Adapter, Fuel Line
6.	146-0773	1	Insulator, Carburetor	19.	0718-1017	1	*Bolt
7.	146-0774	1	Carburetor				
8.	141-0983	1	Gasket, Carburetor				
9.	505-1573	1	Elbow, Steel Street (1/8 ")				
10.	149-2341-01	1	Filter, Fuel				
11.	503-1951-10	2	Clamp, Hose				
12.	A040F491	1	Hose, Fuel (1/4" ID x 1/2" OD) (355mm)				

* - Use Thread Sealant 0518-0288 when installing bolt

NOTE: This adapter (Ref No. 18) replaces the secondary, redundant fuel filter. Refer to Product Support Bulletin No. 712 for more information.

Carburetor (Carb) (Begin Spec J)



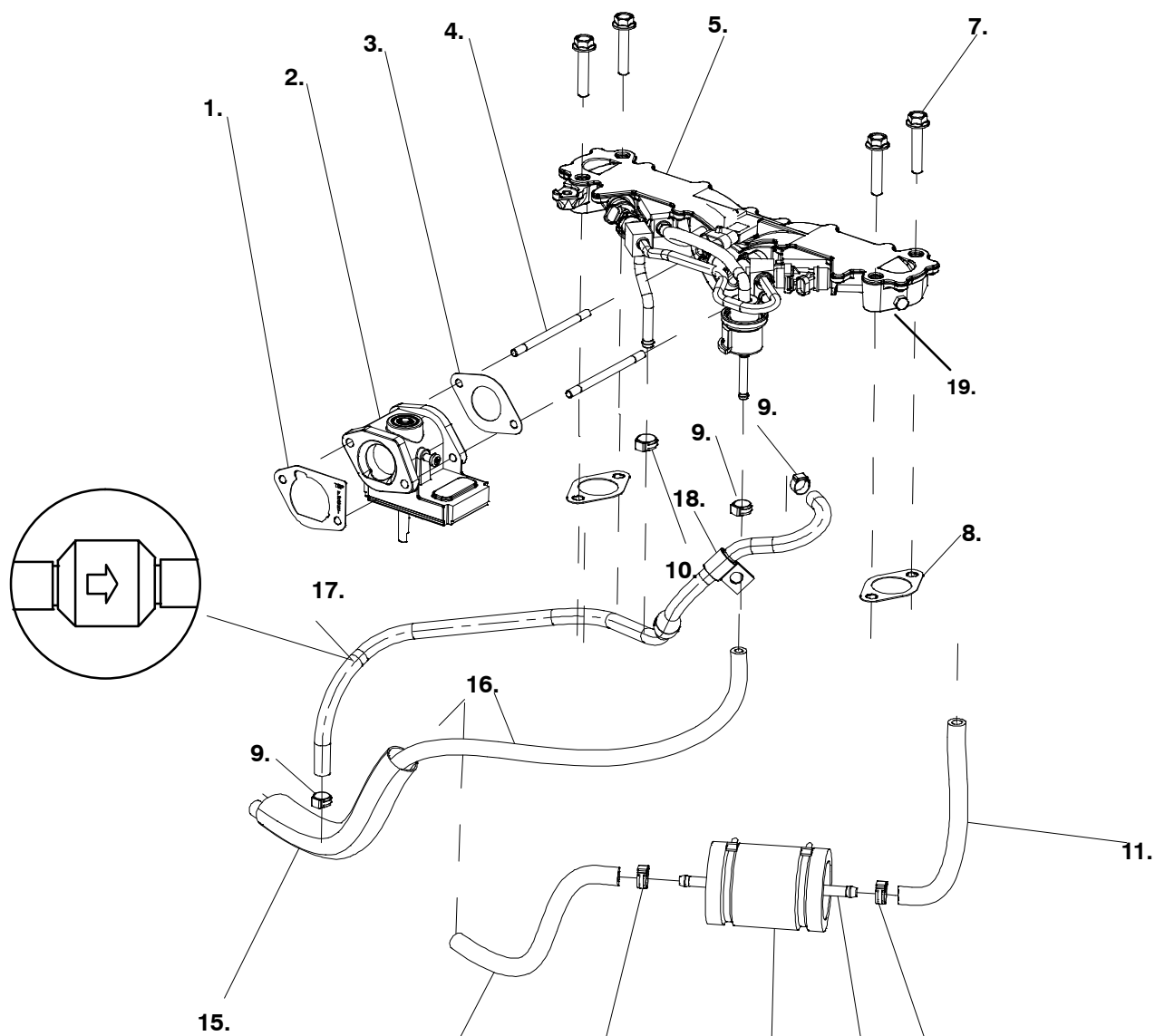
REF NO.	PART NO.	QTY USED	PART DESCRIPTION	REF NO.	PART NO.	QTY USED	PART DESCRIPTION
	A043B781	1	Kit, Carburetor (includes Parts Marked *) (Begin Spec K)				(355mm)
1.	154-3085	2	Gasket, Intake Manifold	12.	149-2620	1	Pump, Fuel
2.	154-3067-01	1	Manifold, Intake	13.	505-1572	1	Connector, Hose
3.	520-1015	2	Stud (M6 x 1 x 96mm)	14.	815-0753	2	Screw, Hex Washer Head Thread Form (M6 x 1 x 14mm)
4.	815-0954-08	4	Screw, Flange Head Machine (M8 x 1.25 x 42mm)	15.	A043B658	1	Kit, Choke
5.	141-0982	2	*Gasket, Carburetor	16.	146-0795	1	Solenoid, Fuel
6.	146-0773	1	Insulator, Carburetor Carburetor	17.	0718-1017	1	#Bolt
7.	A029J450	1	(Spec J)				
	A041P558	1	* (Spec K)				
	A040N099	1	(High Altitude)				
8.	141-0983	1	*Gasket, Carburetor				
9.	149-2341	1	Filter, Fuel				
10.	503-1951-10	2	Clamp, Hose				
11.	A040F491	1	Hose, Fuel (1/4" ID x 1/2" OD)				

* - Parts Included in Kit

- Use Thread Sealant 0518-0288 when installing bolt

Note: High Altitude carburetor is required to remain emissions compliant while operating above 5,000 feet for extended periods of time.

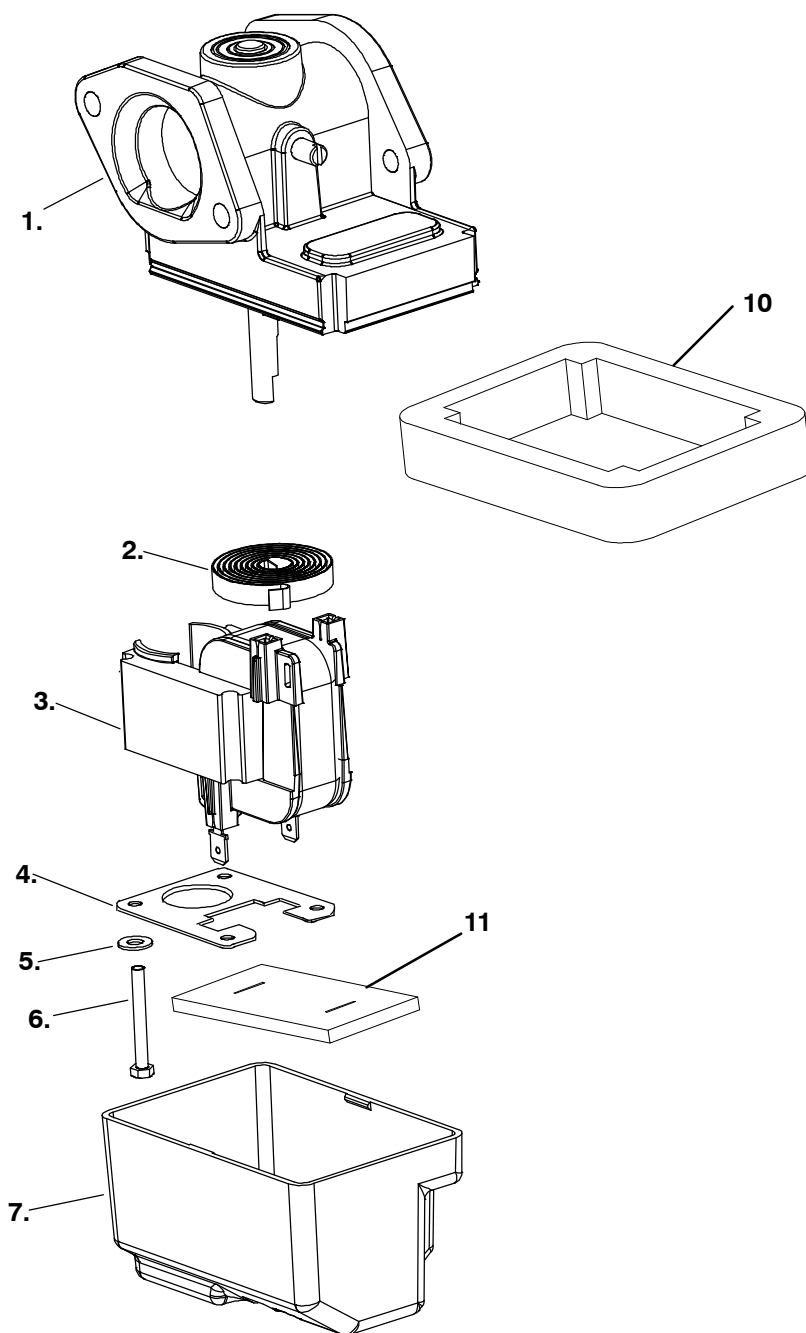
Fuel System (EFI)



REF NO.	PART NO.	QTY USED	PART DESCRIPTION	REF NO.	PART NO.	QTY USED	PART DESCRIPTION
1.	141-0983	1	Gasket	14.	503-2736-02	1	Hose, Fuel (5/16"ID x 216mm)
2.	146-0782	1	Body, Throttle (See Separate Page for Components)	15.	898-1347	1	Sleeve, Nylon
3.	141-0982	1	Gasket	16.	503-2737-01	1	Hose, Fuel(1/4"ID x 635mm)
4.	520-1015	2	Stud	17.	A029M248	1	Hose, Vent (EVAP Spec A-E)
5.	154-3070	1	Manifold, Intake		A030T642		(EVAP Begin Spec J) (Includes One-way Check Valve)
6.	148-1337	1	Regulator, Fuel ¹	18.	518-0548-04	1	Clamp
7.	815-0954-08	4	Screw (M8x1.25x96mm)	19.	0718-1017	2	*Bolt
8.	154-3085	2	Gasket				
9.	503-1951-10	4	Clamp				
10.	503-1951-13	4	Clamp				
11.	503-2736-01	1	Hose, Fuel (5/16" ID x 123mm)				
12.	147-0860	1	Filter, Fuel				
13.	895-0394	1	Isolator				

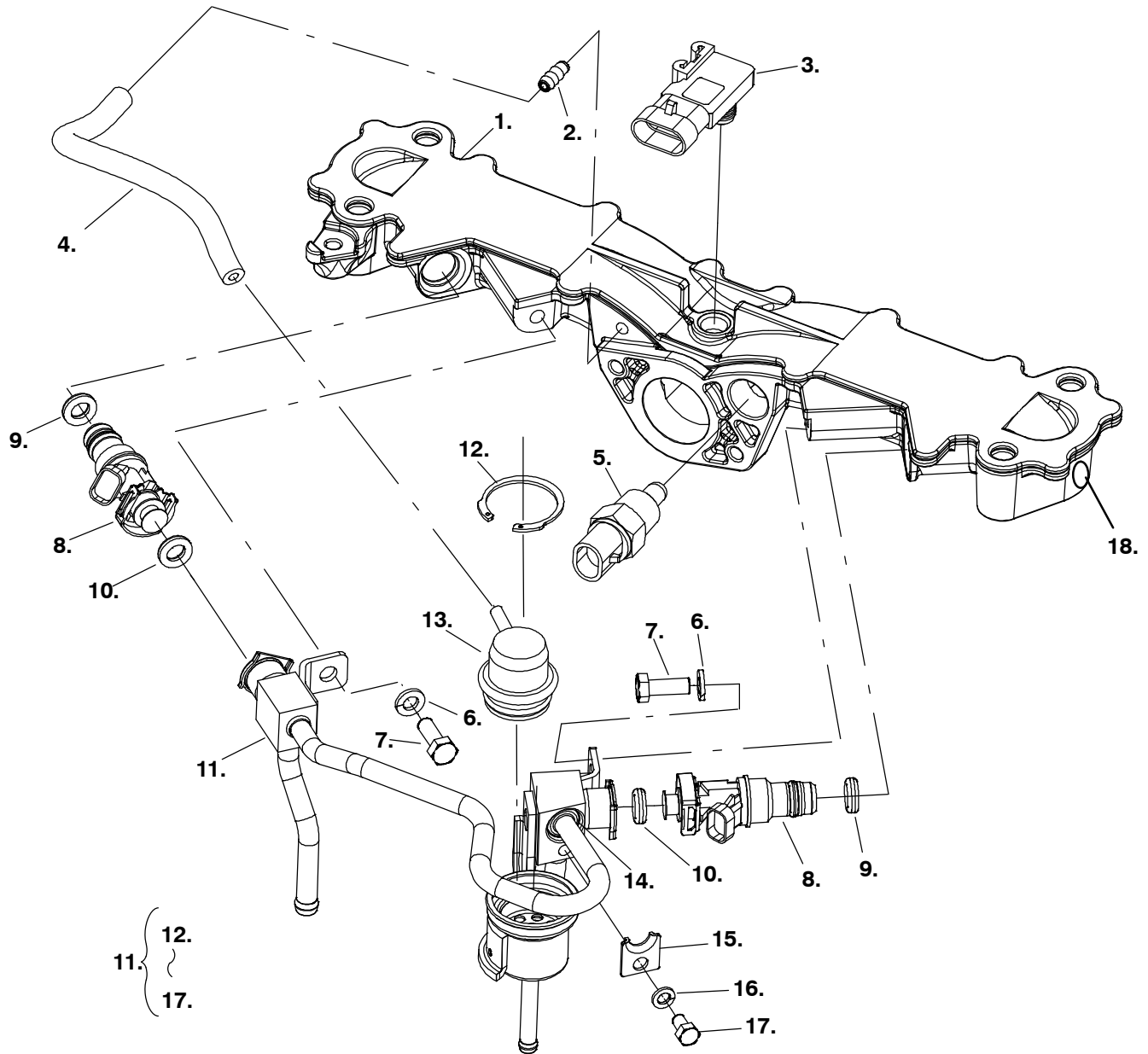
* - Use Thread Sealant 0518-0288 when installing bolt
¹ - Included in Intake Manifold

Throttle Body Components (HGJAD)



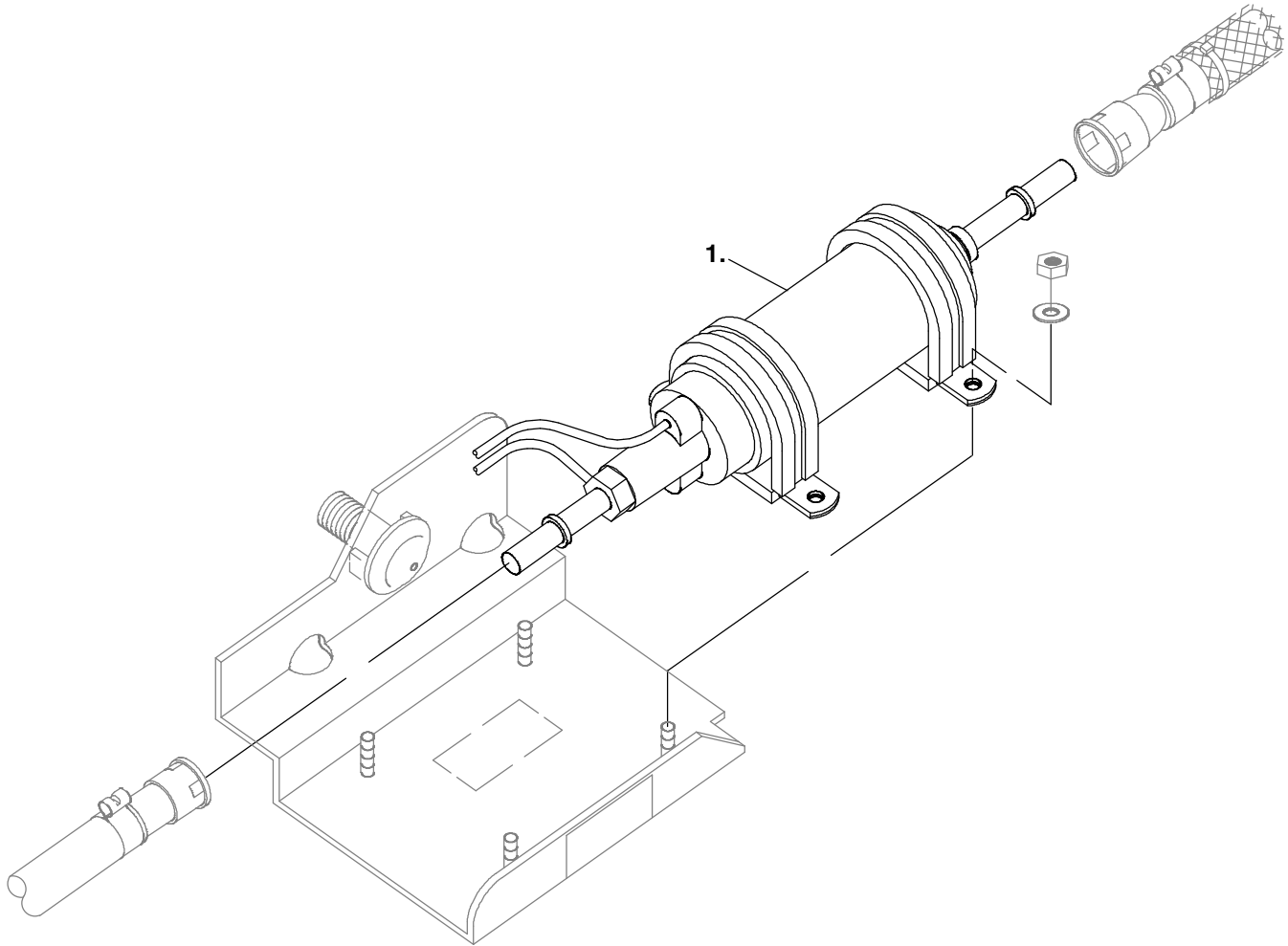
REF NO.	PART NO.	QTY USED	PART DESCRIPTION	REF NO.	PART NO.	QTY USED	PART DESCRIPTION
	146-0782	1	Body Assy, Throttle	6.	800-3009	4	Screw, Hex Head Cap
1.	146-0850	1	Body, Throttle	7.	151-0719	1	Cover
2.	151-0723	1	Spring, Torsion	10	146-0843	1	Gasket-Throttle_Body (Foam)
3.	150-2685	1	Stator, Wound	11	146-0844	1	Gasket-Throttle_Body (Foam- inside)
4.	146-0786	1	Retainer, Screw				
5.	526-0003	4	Washer, Flat (3/16 ")				

Intake Manifold EFI (HJGAD)



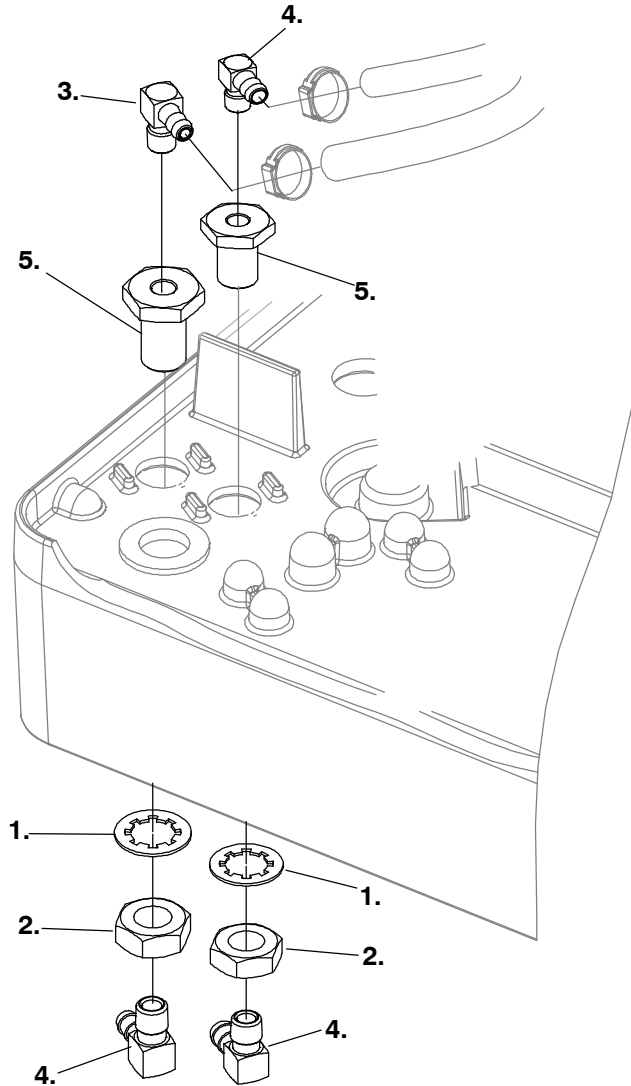
REF NO.	PART NO.	QTY USED	PART DESCRIPTION	REF NO.	PART NO.	QTY USED	PART DESCRIPTION
1.	154-3067-04	1	Manifold Assy, Intake (Includes Hose Connector)	12.	147-0868	1	*Ring, Pressure Regulator Snap
2.	502-1314	1	Connector, Hose	13.	147-0867	1	*Regulator, Fuel Pressure (Supersedes to 148-1337)
3.	193-0469	1	Sensor, Map	14.	147-0865	1	*O'Ring (Not Part of Injector)
4.	503-2848	1	Hose, Vacuum	15.	147-0866	1	*Clamp, Fuel Rail
5.	193-0480	1	Sensor, Manifold Air Temperature	16.	850-2005	1	*Washer, Split Lock (M5)
6.	850-2006	2	Washer, Split Lock (M6)	17.	800-2000	1	*Screw, Hex Head Cap (M5 x 0.8 x 8mm)
7.	800-2033	2	Screw, Hex Head Cap (M6 x 1 x 16mm)	18.	0718-1017	1	@ Bolt
8.	147-0856	2	Injector, Fuel (Includes Parts Marked #)				* - Parts Included in Fuel Rail Assy. See Remote Fuel Pump Kit for Fuel Pump
9.	147-0864	2	#O'Ring, Injector				# - Parts Included in Fuel Injector.
10.	147-0865	2	#O'Ring, Injector				@ -Use Thread Sealant 0518-0288 when installing bolt
11.	147-0855	1	Rail Assy, Fuel (Includes Parts Marked *)				

Remote Fuel Pump Kit EFI (HGJAD)



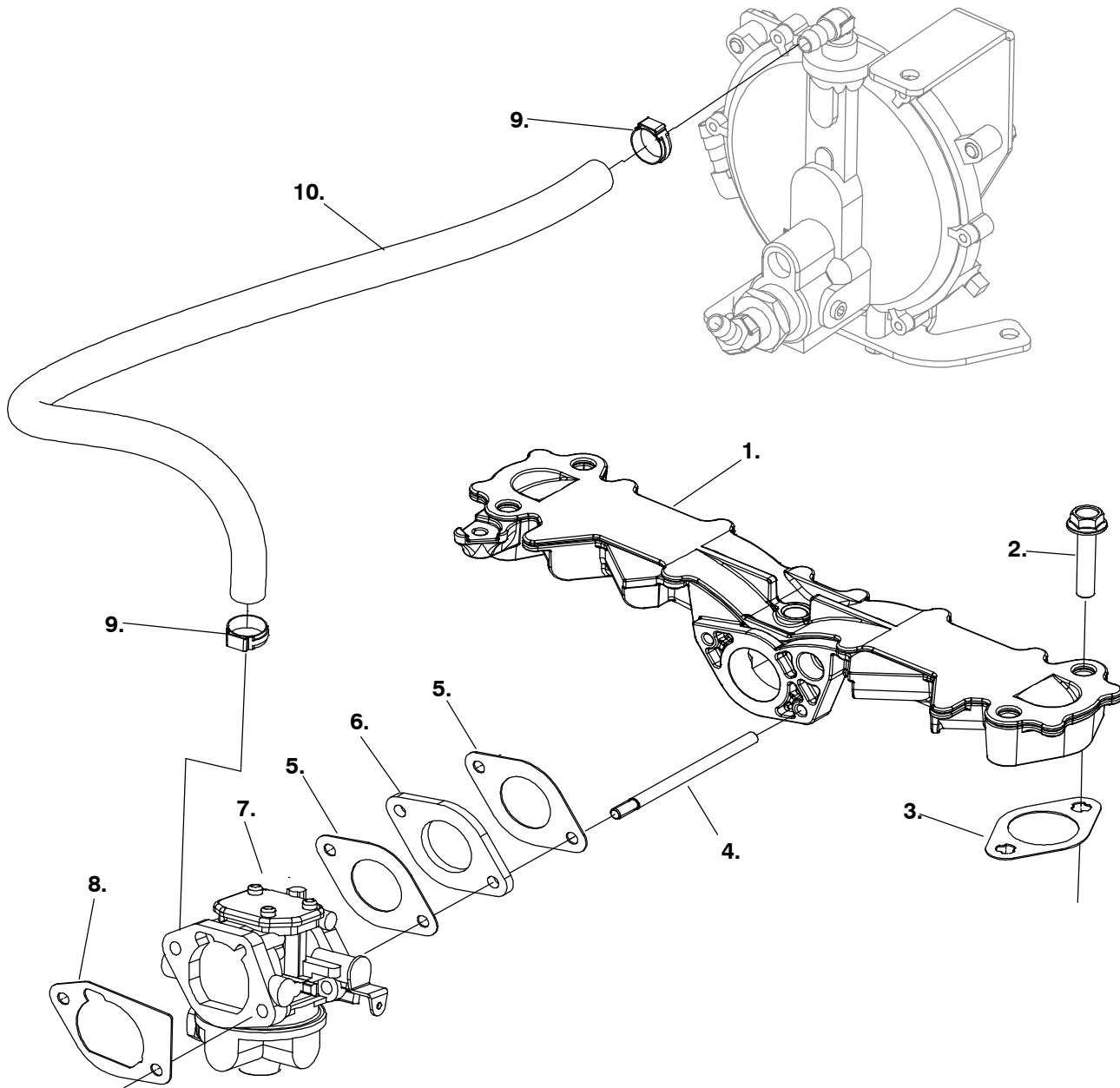
REF NO.	PART NO.	QTY USED	PART DESCRIPTION	REF NO.	PART NO.	QTY USED	PART DESCRIPTION
541-0671		1	*Kit, Remote Fuel Pump (Ford)				(GM Cab Chassis / Van)
541-0673		1	*Kit, Remote Fuel Pump (Ford E Van)	1.	149-2657	1	Pump, Fuel (Parts marked * Include this Pump)
541-0767		1	*Kit, Remote Fuel Pump (Ford E 450)	2.	147-0859	1	Pump, Fuel (Parts marked + Include this Pump)
541-0788		1	Kit, Fuel System (Ford Pickup)	3.	149-2661	1	Filter, Fuel (Parts marked # Include this Filter)
541-0789		1	*Kit, Remote Fuel Pump (GM LWB/SWB)	* - Note 149-2657 EFI fuel pump with quick connect fittings to be used in Commercial Mobile applications.			
541-0933		1	*Kit, Remote Fuel Pump (GM 4500 Silverado)				
541-1153		1	*Kit, Remote Fuel Pump (GM 2500)				
541-1002		1	+#Kit, Remote Fuel Pump (Trailer Mounted remote kit only)				
541-0787		1	*Kit, Fuel System				

Bulkhead EFI (HGJAD)



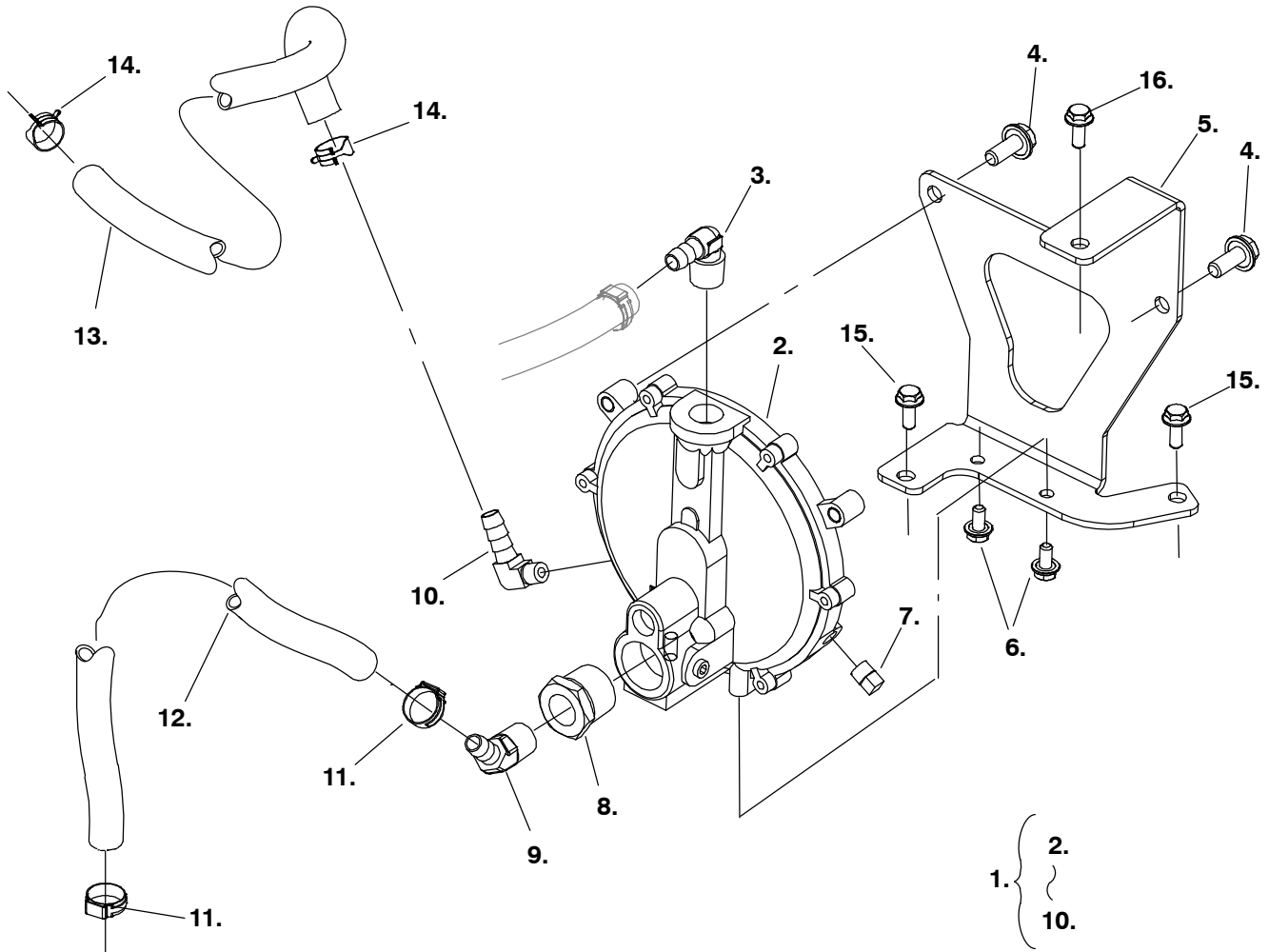
REF NO.	PART NO.	QTY USED	PART DESCRIPTION	REF NO.	PART NO.	QTY USED	PART DESCRIPTION
1.	854-0028	2	Washer, IT Lock (5/8")	4.	502-0313-02	3	Elbow, 90° Supply Hose (5/16" Hose ID)
2.	868-0007	2	Nut, Hex Jam (5/8-18)	5.	502-1296-02	2	Fitting, Bulkhead
3.	502-0313	1	Elbow, 90° Return Hose (1/4" Hose ID)				

Low Pressure Mixer (LP)



REF NO.	PART NO.	QTY USED	PART DESCRIPTION	REF NO.	PART NO.	QTY USED	PART DESCRIPTION
1.	154-3067-03	1	Manifold, Intake	6.	146-0773	1	Insulator, Carburetor
2.	815-0954-08	4	Screw, Flange Head Machine (M8 x 1.25 x 42mm)	7.	146-0791	1	Mixer
3.	154-3085	2	Gasket, Intake Manifold	8.	141-0983	1	Gasket, Carburetor
4.	520-1015	2	Stud (M6 x 1 x 96mm)	9.	503-1951-20	2	Clamp, Hose
5.	141-0982	2	Gasket, Carburetor	10.	503-2143-03	1	Hose (550mm)

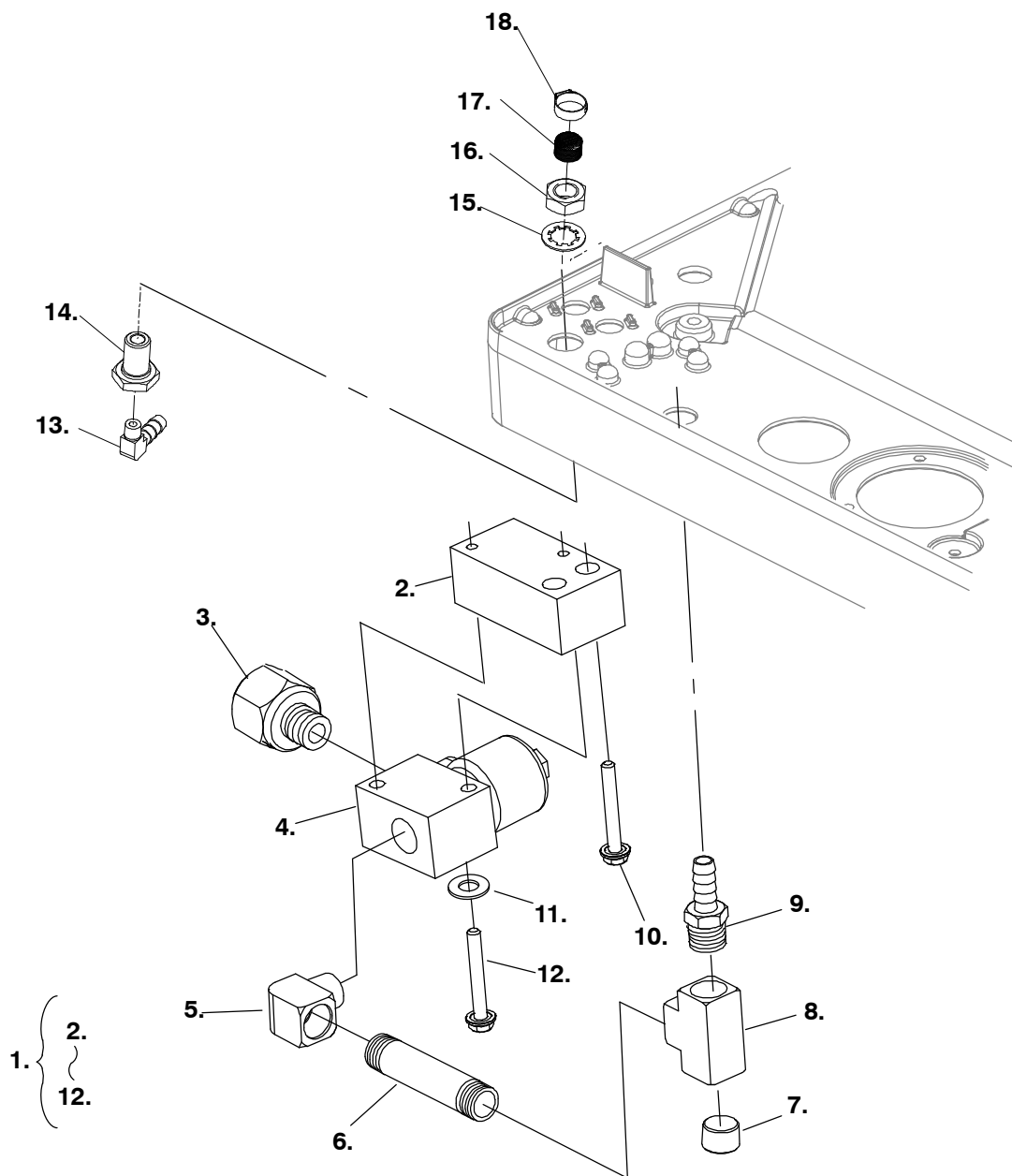
Low Pressure Regulator (LP)



REF NO.	PART NO.	QTY USED	PART DESCRIPTION	REF NO.	PART NO.	QTY USED	PART DESCRIPTION
1.	148-1131-S0	1	Regulator Assy (Includes Parts Marked *)	10.	502-1353-01	1	*Elbow, 90° Pipe
2.	148-1145	1	*Regulator	11.	503-1951-20	2	Clamp, Hose
3.	502-1345	1	*Elbow, 90° Pipe	12.	503-2143-02	1	Hose, LP (690mm)
4.	821-2046	2	*Screw, Lock Flange (M8 x 1.25 x 20mm)	13.	503-2191	1	Hose, Bulk (3/8" ID) (1041cm)
5.	148-1303-02	1	*Bracket, Regulator	14.	503-1445-04	2	Clamp, Hose
6.	821-2032	2	*Screw, Lock Flange (M6 x 1 x 12mm)	15.	815-0753	2	Screw, Hex Washer Head Thread Form (M6 x 1 x 14mm)
7.	505-0057	1	*Plug, Square Head	16.	821-2033	1	Screw, Lock Flange (M6 x 1 x 16mm)
8.	502-1344-01	1	*Bushing, Reducer				
9.	502-1346-01	1	*Elbow, 45° Pipe				

* - Parts Included in Regulator Assy.

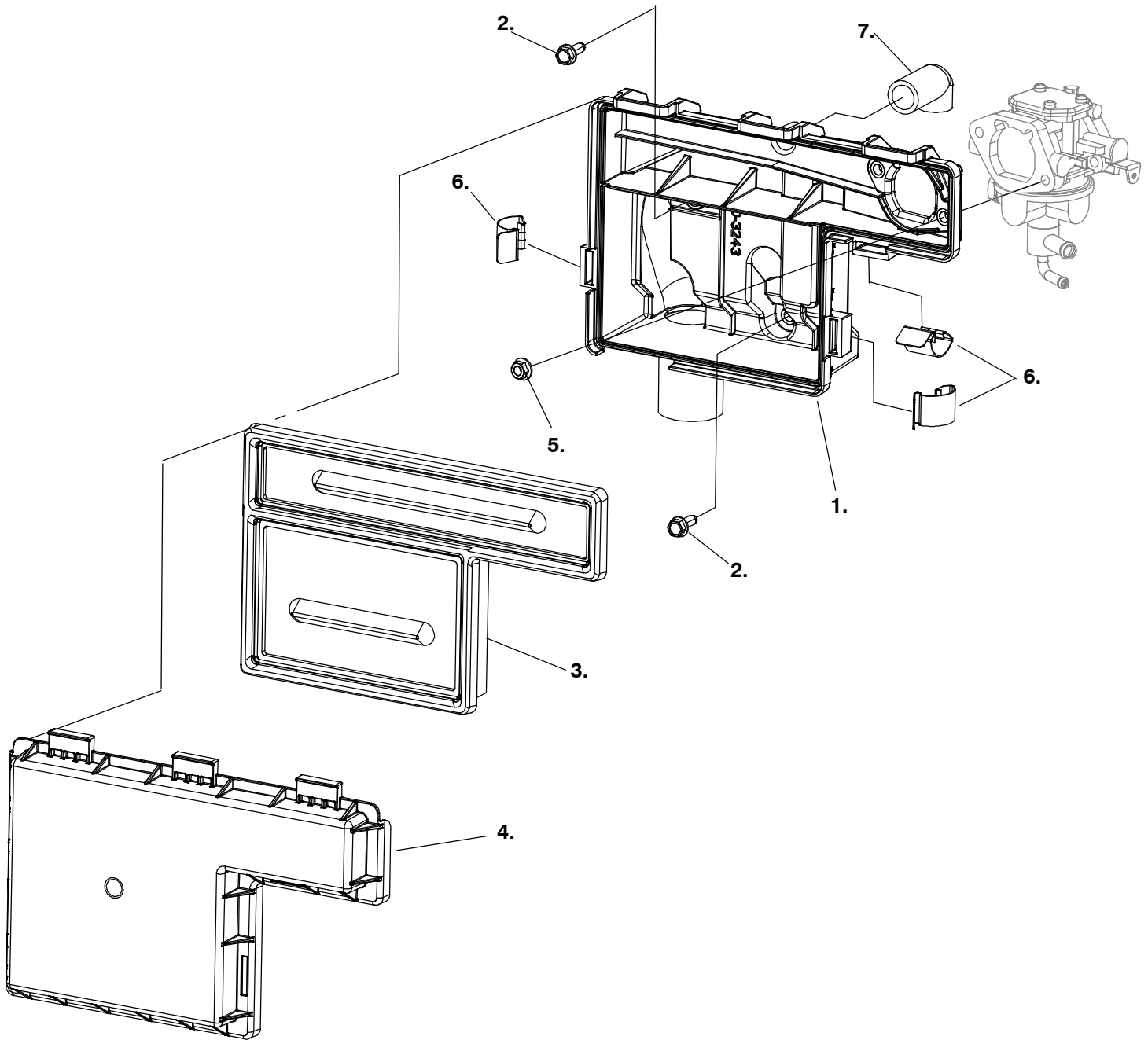
Solenoid Shutoff Valve (LP)



REF NO.	PART NO.	QTY USED	PART DESCRIPTION	REF NO.	PART NO.	QTY USED	PART DESCRIPTION
1.	307-2938	1	Solenoid Assy, Valve (Includes Parts Marked *)	11.	526-0018	2	*Washer
2.	149-2628	1	*Spacer, Solenoid	12.	800-2040	2	*Screw, Hex Head Flange (M8 x 1.25 x 45mm)
3.	502-1366	1	*Adapter, Pipe (3/8 " NPT x 3/8 " NPT)	13.	502-1353-01	1	Elbow, 90° Pipe
4.	307-2935	1	*Valve, Fuel Shutoff	14.	502-1296-02	1	Fitting, Bulkhead
5.	502-1347-01	1	*Elbow, 90° Street	15.	854-0028	1	Washer, IT Lock (5/8")
6.	502-1348-01	1	*Nipple, Pipe	16.	868-0007	1	Nut, Hex Jam (5/8-18)
7.	502-1339	1	*Plug, Pipe	17.	148-1158	1	Screen, Vent
8.	502-0090	1	*Tee, Pipe	18.	503-1951-20	1	Clamp, Hose
9.	502-1331-02	1	*Adapter, Pipe				
10.	815-0776	2	*Screw, Hex Head Flange (M8 x 1.25 x 45mm)				

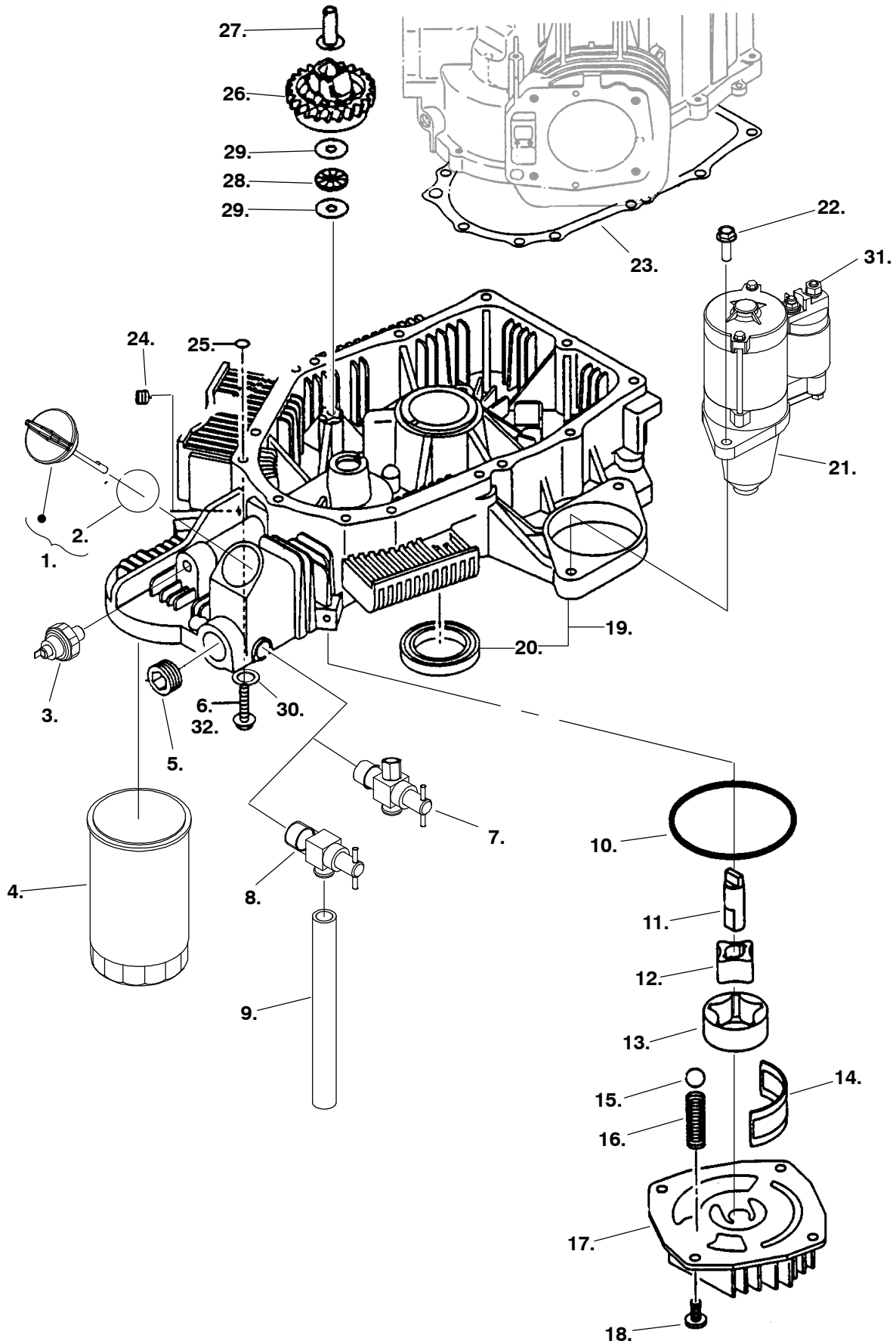
* - Parts Included in Shutoff Solenoid.

Air Cleaner



REF NO.	PART NO.	QTY USED	PART DESCRIPTION	REF NO.	PART NO.	QTY USED	PART DESCRIPTION
1.	140-3123	1	Housing, Air Cleaner	4.	140-3122	1	Cover, Air Cleaner
2.	815-0941-03	2	Screw, Hex Washer Head Thread Form (M6 x 1 x 18mm)	5.	870-2065-02	2	Nut, Hex Flange
3.	140-3116	1	Element, Air Cleaner	6.	140-3121	3	Clip, Metal
				7.	123-2109	1	Tube, Breather

Main Bearing Cover (HGJAD Spec A-E, J-K, HGJAE Spec A-E, J-L, HGJAF Spec A-C)

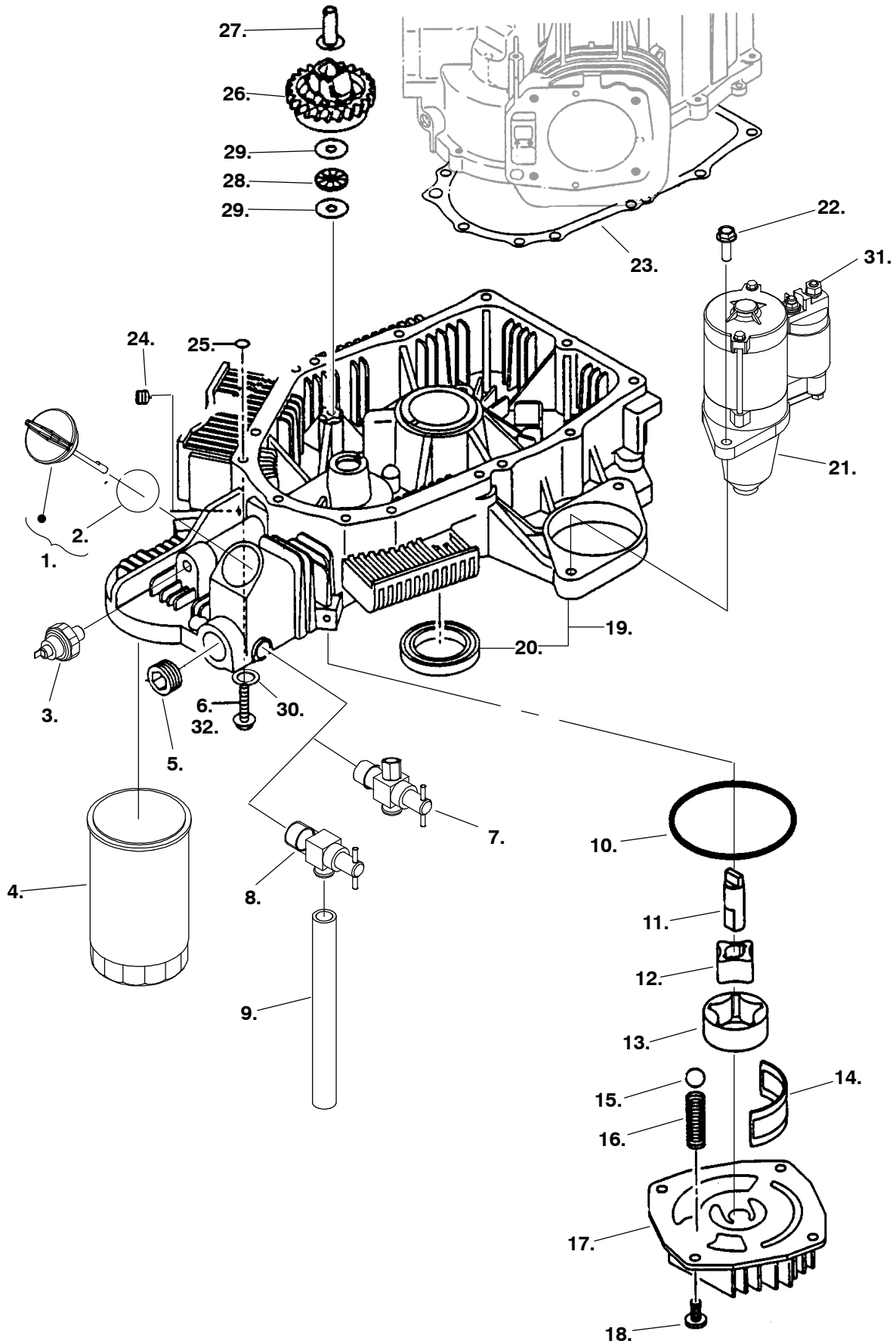


Main Bearing Cover (HGJAD Spec A-E, J-K, HGJAE Spec A-E, J-L, HGJAF Spec A-C)

REF NO.	PART NO.	QTY USED	PART DESCRIPTION	REF NO.	PART NO.	QTY USED	PART DESCRIPTION
1.	187-6266	1	Gauge, Oil (Includes O'Ring)	20.	187-6228	1	Seal, Oil
2.	509-0307	1	O'Ring	21.	A029P528	1	Starter
3.	187-6265	1	Switch, Oil Pressure	22.	815-0954-03	2	Screw, Flange Head Machine (M8 x 1.25 x 25mm)
4.	122-0836	1	Filter, Oil	23.	187-6237	1	Gasket, Main Bearing Cover
5.	187-6231	3	Plug, Drain	24.	187-6005	1	Plug, Blind
6.	187-6240	5	Bolt, Flange	25.	187-6239	2	O'Ring
7.	504-0204	1	Valve, Oil Shutoff (LP)	26.	187-6229	1	Gear, Governor
8.	504-0150	1	Valve, Oil Drain	27.	187-6011	1	Sleeve, Governor
9.	503-0103	1	Hose, Oil Drain (6")	28.	187-6036	1	Bearing, Thrust
10.	187-6108	1	O'Ring	29.	187-6012	2	Washer
11.	187-6263	1	Shaft, Oil Pump	30.	526-0065	1	Washer
12.	187-6261	1	Rotor, Inner	31.	870-2055	1	Nut, Flange
13.	187-6262	1	Rotor, Outer	32.	A062C959	5	Bolt, Flange (M8 x 45mm)
14.	187-6268	1	Filter, Oil Pump				
15.	187-6112	1	Ball, Steel				
16.	187-6111	1	Spring, Relief Valve				
17.	102-1492	1	Cover, Oil Pump				
18.	187-6269	4	Bolt, Flange				
19.	102-1491	1	Cover, Main Bearing (Includes Oil Seal)				

*2 Qty O-Ring (187-6239) only required for main bearing cover with machined O-Ring feature.

Main Bearing Cover (Begin Spec M)

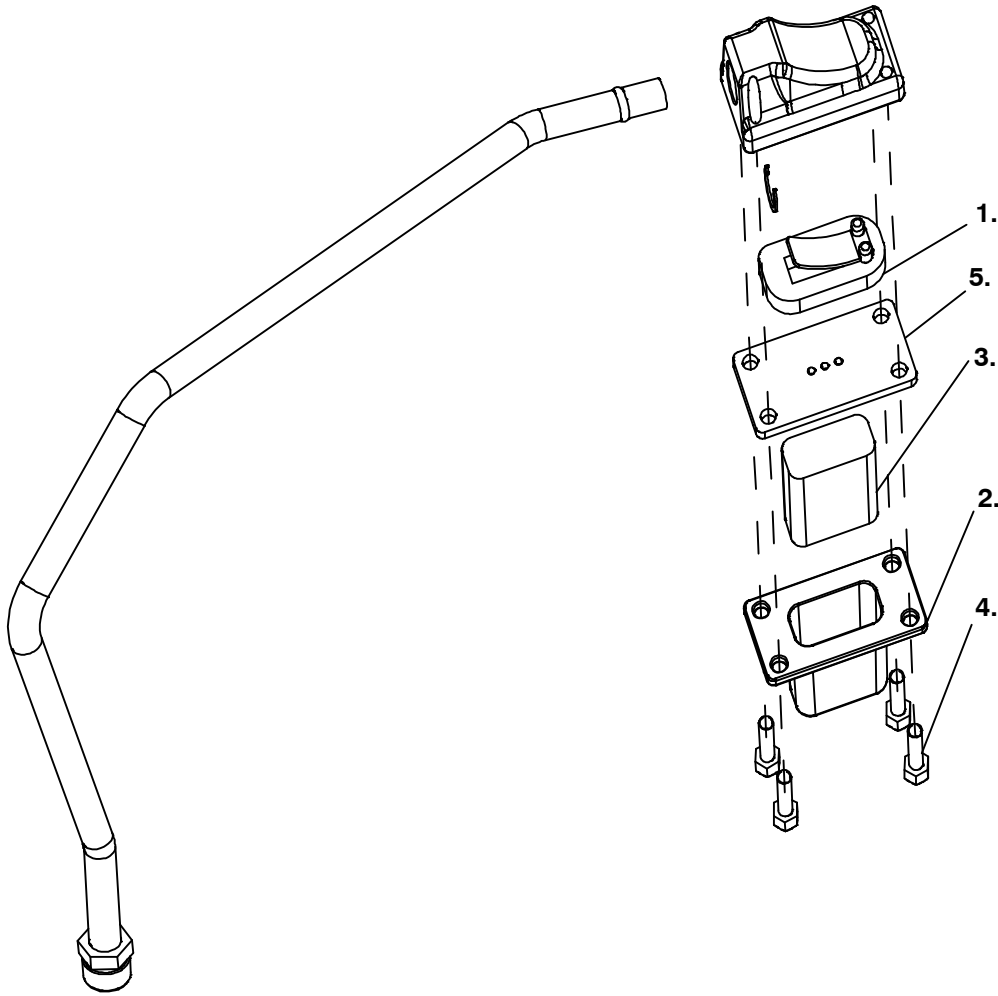


Main Bearing Cover (Begin Spec M)

REF NO.	PART NO.	QTY USED	PART DESCRIPTION	REF NO.	PART NO.	QTY USED	PART DESCRIPTION
1.	A063H419	1	Gauge, Oil (Includes O'Ring)	20.	A063H451	1	Seal, Oil
2.	A063H448	1	O'Ring	21.	A029P528	1	Starter
3.	A063K666	1	Switch, Oil Pressure	22.	815-0954-03	2	Screw, Flange Head Machine (M8 x 1.25 x 25mm)
4.	A063H450	1	Filter, Oil	23.	187-6237	1	Gasket, Main Bearing Cover
5.	187-6231	3	Plug, Drain	24.	187-6005	1	Plug, Blind
6.	187-6240	5	Bolt, Flange	25.	187-6239	2	O'Ring
7.	504-0204	1	Valve, Oil Shutoff (LP)	26.	A063H441	1	Gear, Governor
8.	A063K681	1	Valve, Oil Drain	27.	A063K699	1	Sleeve, Governor
9.	503-0103	1	Hose, Oil Drain (6")	28.	A063H376	1	Bearing, Thrust
10.	A063K707	1	O'Ring	29.	A063K701	2	Washer
11.	A063H615	1	Shaft, Oil Pump	30.	526-0065	1	Washer
12.	187-6261	1	Rotor, Inner	31.	870-2055	1	Nut, Flange
13.	A063H344	1	Rotor, Outer	32.	A062C959	5	Bolt, Flange (M8 x 45mm)
14.	A063K713	1	Filter, Oil Pump				
15.	A062K706	1	Ball, Steel				
16.	A063H613	1	Spring, Relief Valve				
17.	A063H614	1	Cover, Oil Pump				
18.	A063K710	4	Bolt, Flange				
19.	A063H428	1	Cover, Main Bearing (Includes Oil Seal)				

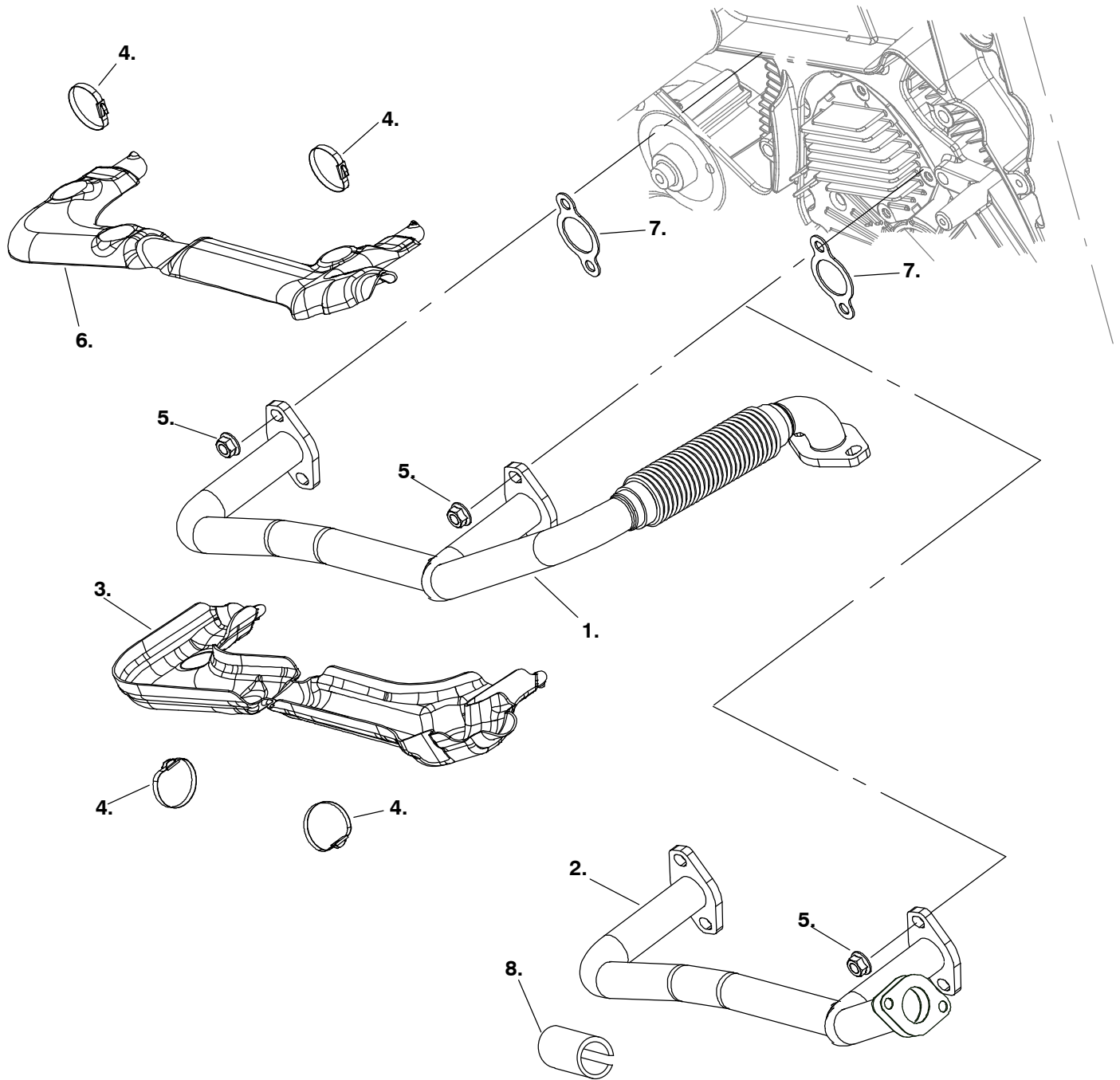
*2 Qty O-Ring (187-6239) only required for main bearing cover with machined O-Ring feature.

Secondary Air-Module (Begin Spec J)



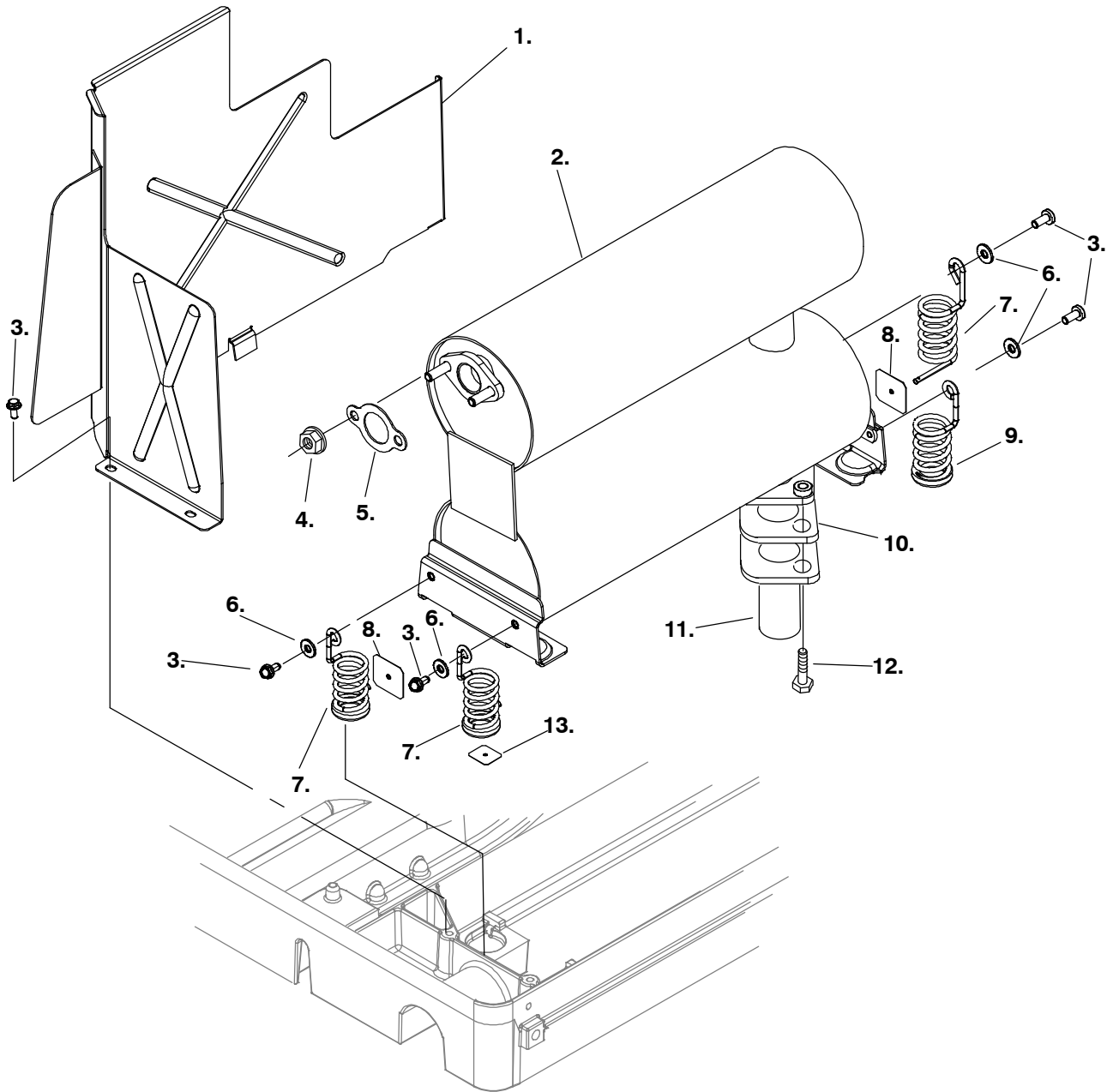
REF NO.	PART NO.	QTY USED	PART DESCRIPTION	REF NO.	PART NO.	QTY USED	PART DESCRIPTION
	A030J361	1	Module, Secondary Air	3.	A030J333	1	Insulation, Sound
1.	A030J339	1	Valve	4.	800-2031	4	Screw, Hex Head
2.	A030J351	1	Cover, Access	5.	A041E117	1	Orifice

Exhaust Manifold



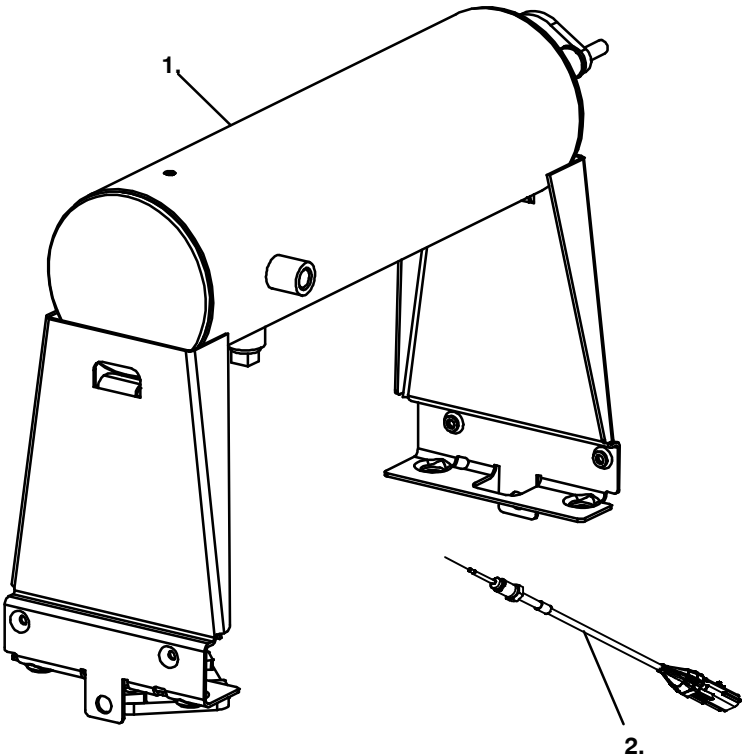
REF NO.	PART NO.	QTY USED	PART DESCRIPTION	REF NO.	PART NO.	QTY USED	PART DESCRIPTION
1.		1	Manifold, Exhaust (HGJAD, HGJAE)	6.	154-3091	1	Shield, Exhaust Manifold (HGJAD, HGJAE)
	A026H890	1	Spec A-E	7.	154-2746	2	Gasket, Exhaust Manifold
	A030H483	1	Begin Spec J	8.	405-6103	1	Insulation, Exhaust Manifold (HGJAF)
2.	154-3043	1	Manifold, Exhaust (HGJAF)	9.		1	Kit, Exhaust (HGJAF)
3.	154-3092	1	Shield, Exhaust Manifold (HGJAD, HGJAE)		155-3468		Below Mt Front Outlet
4.	503-2176	4	Tie, Stainless Steel (HGJAD, HGJAE)		155-3469		Below Mt Rear Outlet
5.	870-0557	4	Nut, Hex Flange (M8 x 1.25)		155-3470		Side Mt Front Outlet
					155-3499		Side Mt Rear Outlet

Muffler HGJAD/HGJAE (Spec A-E)



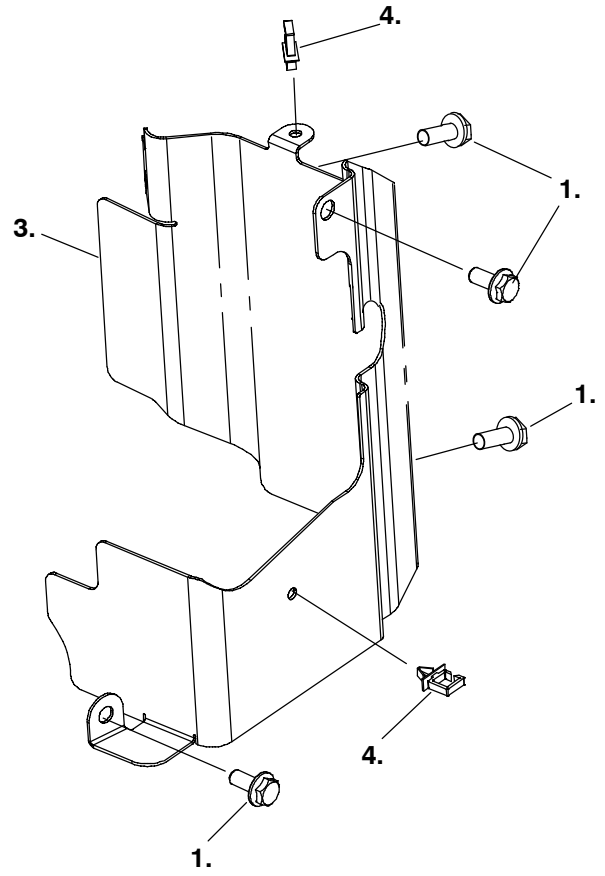
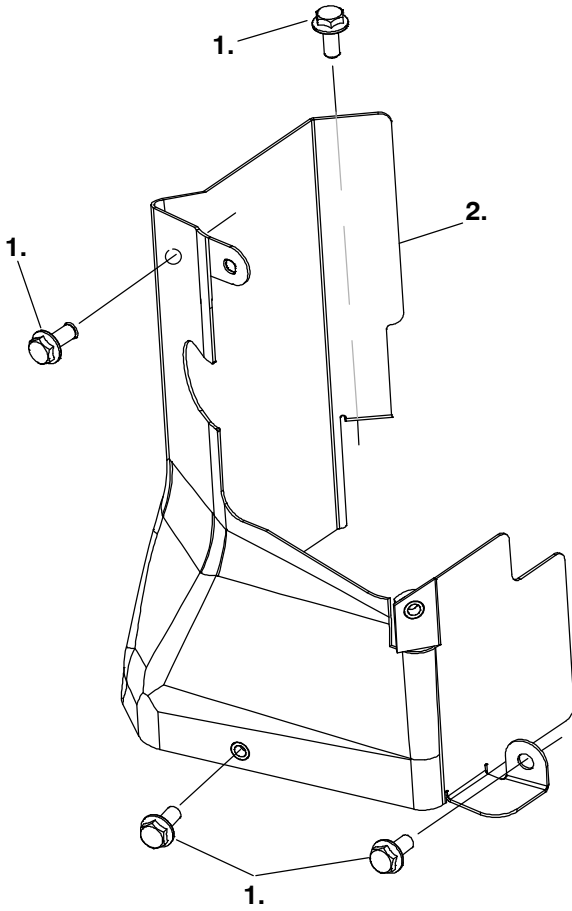
REF NO.	PART NO.	QTY USED	PART DESCRIPTION	REF NO.	PART NO.	QTY USED	PART DESCRIPTION
1.	A030C565	1	Baffle (Spec A-H)	6.	526-0018	4	Washer, Flat (1/4")
	A030J367	1	(Begin Spec J)	7.	402-0754	3	Snubber, Spring
2.	155-3178	1	Muffler, Exhaust HGJAD	8.	870-0462	8	Nut, Push On
	155-3387	1	HGJAE	9.	402-0755	1	Snubber, Spring
3.	815-0753	6	Screw, Hex Head Thread Form (M6 x 1 x 14mm)	10.	154-2765	1	Gasket, Muffler
4.	870-0557	2	Nut, Hex Flange (M8 x 1.25mm)	11.	155-2610-02	1	Tube, Exhaust
5.	154-3112	1	Gasket, Muffler	12.	800-0730	2	Screw, Hex Head Crescent (5/13-18 x 1")
				13.	870-0462	8	Nut, Push-On

**Muffler
HGJAD/HGJAE(Begin Spec J)**



REF NO.	PART NO.	QTY USED	PART DESCRIPTION	REF NO.	PART NO.	QTY USED	PART DESCRIPTION
1.	A030M065	1	Silencer, Exhaust				
2.	A030N808	1	Sensor, Temperature				

Air Cylinder Shroud

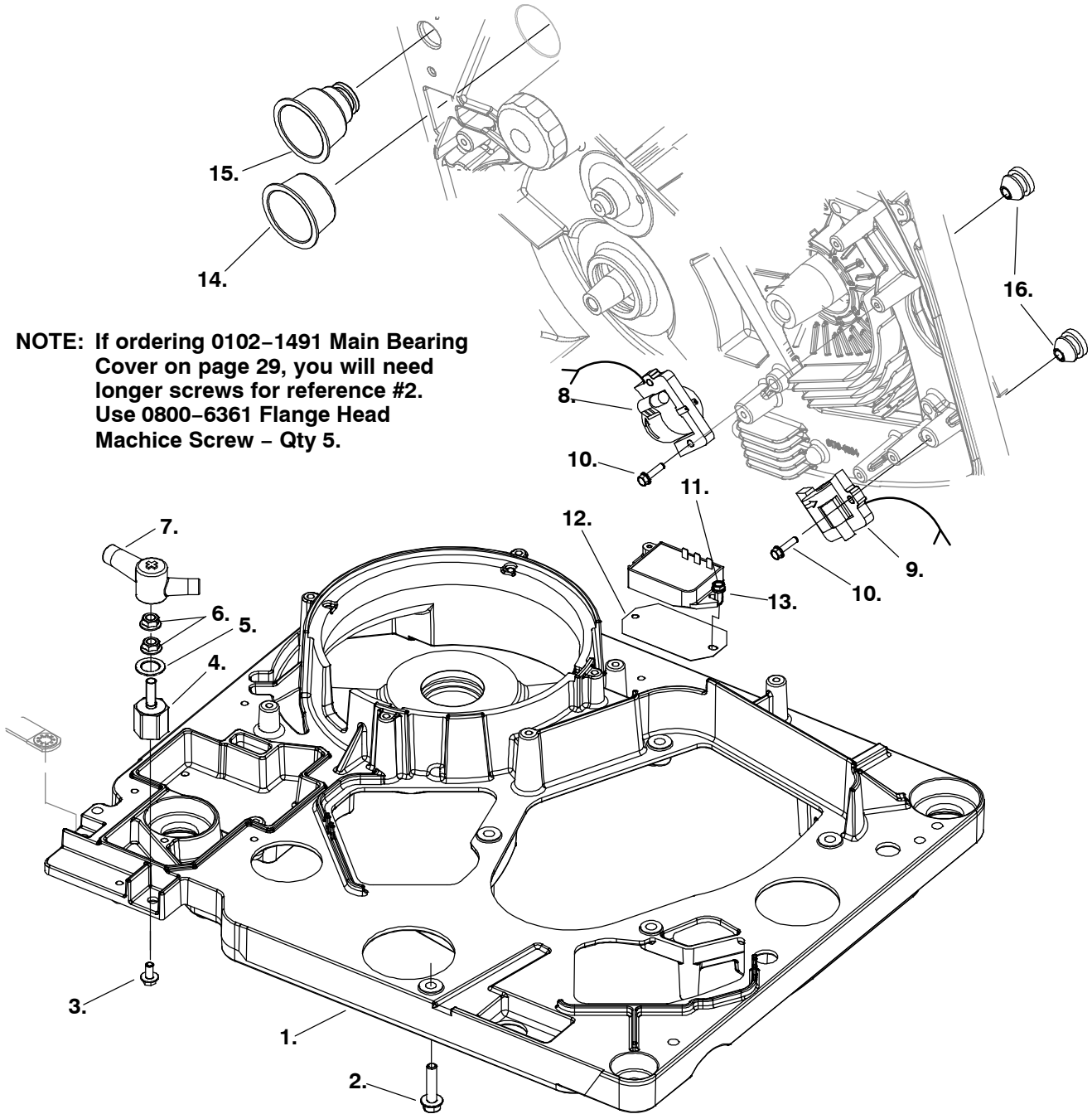


REF NO.	PART NO.	QTY USED	PART DESCRIPTION
1.	815-0753	9	Screw, Hex Washer Head Thread Form (M6 x 1 x 14mm)
2.	134-5188-02	1	Shroud, Cylinder (LH)

REF NO.	PART NO.	QTY USED	PART DESCRIPTION
3.	134-5189-02	1	Shroud, Cylinder (RH)
4.	332-2904	2	Clip, Wire

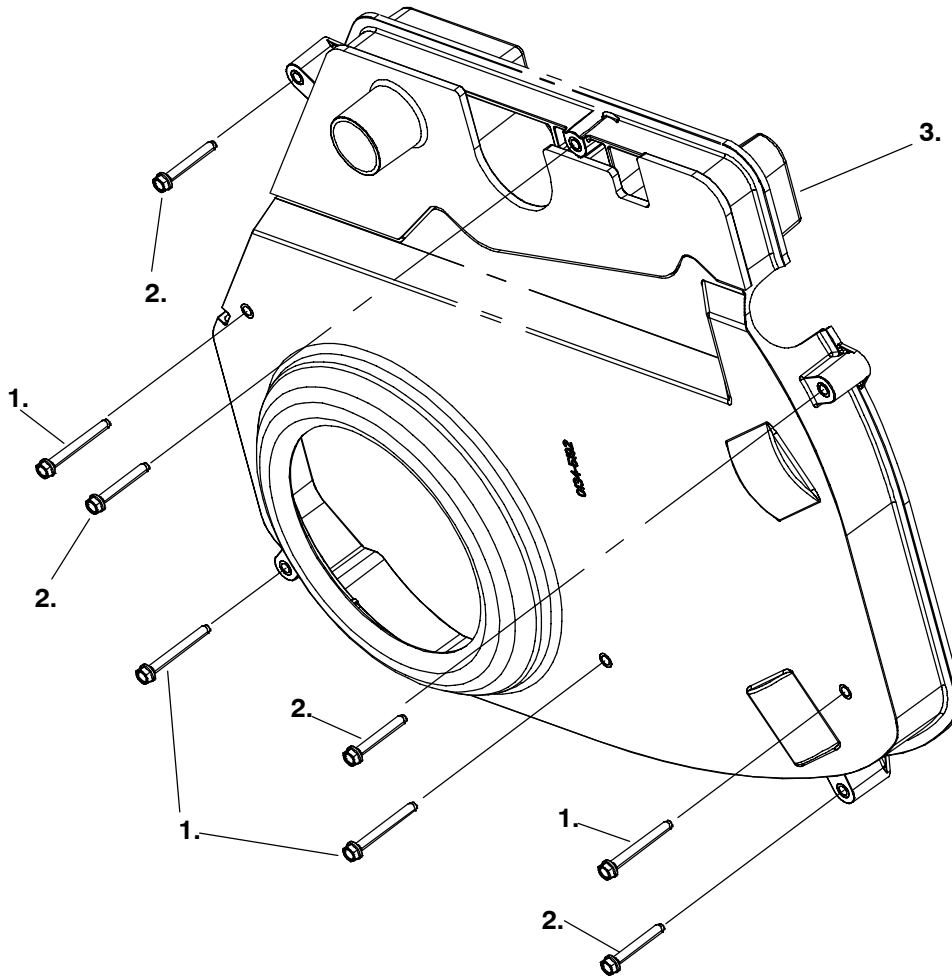
Mounting Base

NOTE: If ordering 0102-1491 Main Bearing Cover on page 29, you will need longer screws for reference #2. Use 0800-6361 Flange Head Machine Screw - Qty 5.



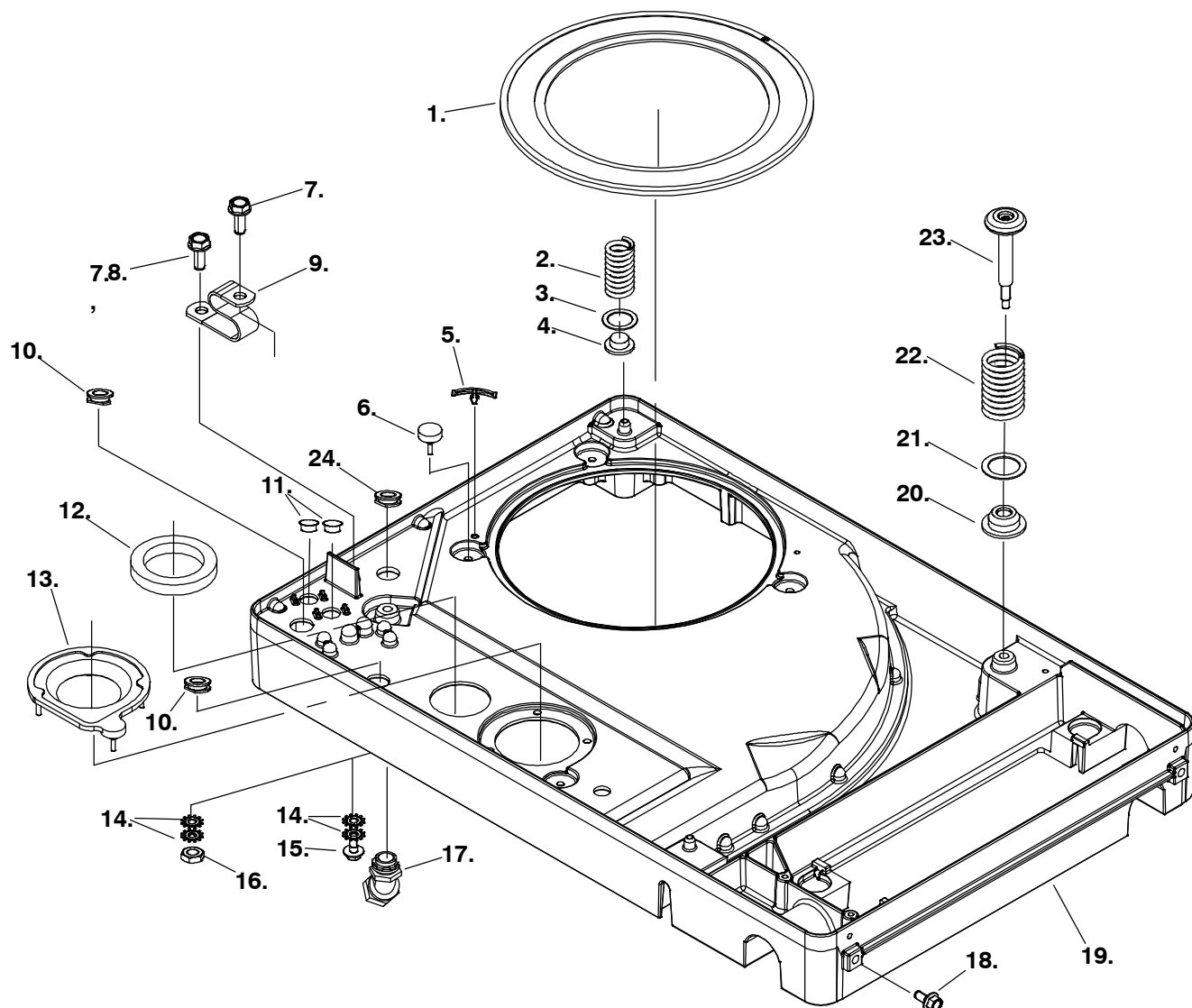
REF NO.	PART NO.	QTY USED	PART DESCRIPTION	REF NO.	PART NO.	QTY USED	PART DESCRIPTION
1.	403-4200	1	Base, Mounting				spark plug boot)
2.	815-0954-05	5	Screw, Flange Head Machine (M8 x 1.25 x 35mm)	10.	815-0793-05	4	Screw, Hex Flange Thread Form (M5 x 0.8 x 20mm)
3.	821-0010	1	Screw, Lock Head (1/4-20 x 1/2")	11.	815-0941-03	2	Screw, Hex Thread Form (M6 x 1 X 16mm)
4.	332-3708	1	Standoff, Insulated	12.	363-0205	1	Pad, Heatsink
5.	850-0045	1	Washer, Split Lock (5/16")	13.	305-1006	1	Regulator, Battery Charger
6.	870-2222	2	Nut, Hex Flange (5/16-18)	14.	140-3212	1	Hose, Air
7.	508-1142	1	Boot, Rubber Battery	15.	508-1133	1	Boot, Rubber Wiring
8.	166-0859-01	1	Coil, Ignition (800mm Lead with spark plug boot)	16.	508-1134	2	Grommet, Ignition
9.	166-0859-02	1	Coil, Ignition (573mm Lead with	17.	A048V866	1	Mounting Bolt Kit

Fan Shroud



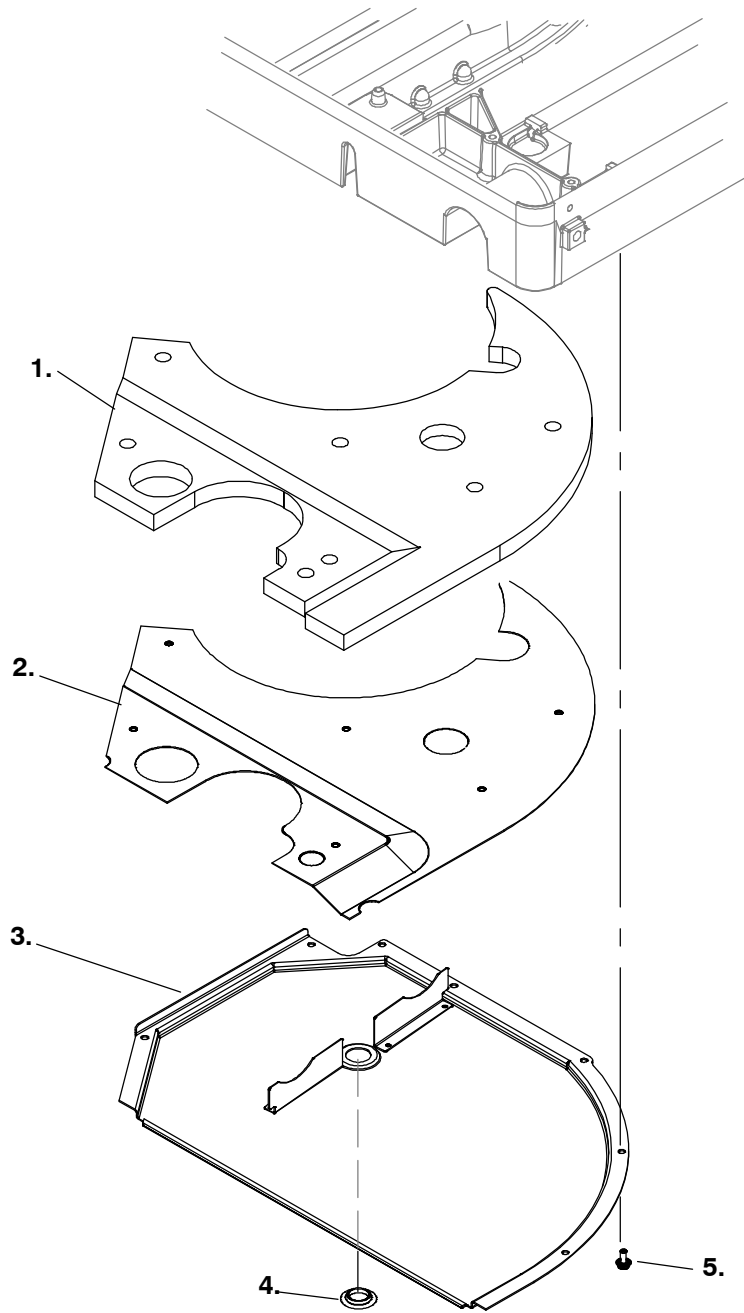
REF NO.	PART NO.	QTY USED	PART DESCRIPTION
1.	815-0969-03	4	Screw, Hex Washer Head Thread Form (M6 x 1 x 46.5mm)
2.	815-0969-02	4	Screw, Hex Washer Head Thread Form (M6 x 1 x 33mm)
3.	134-5205-01	1	Shroud, Fan

Drip Pan (HGJAD, HGJAE)



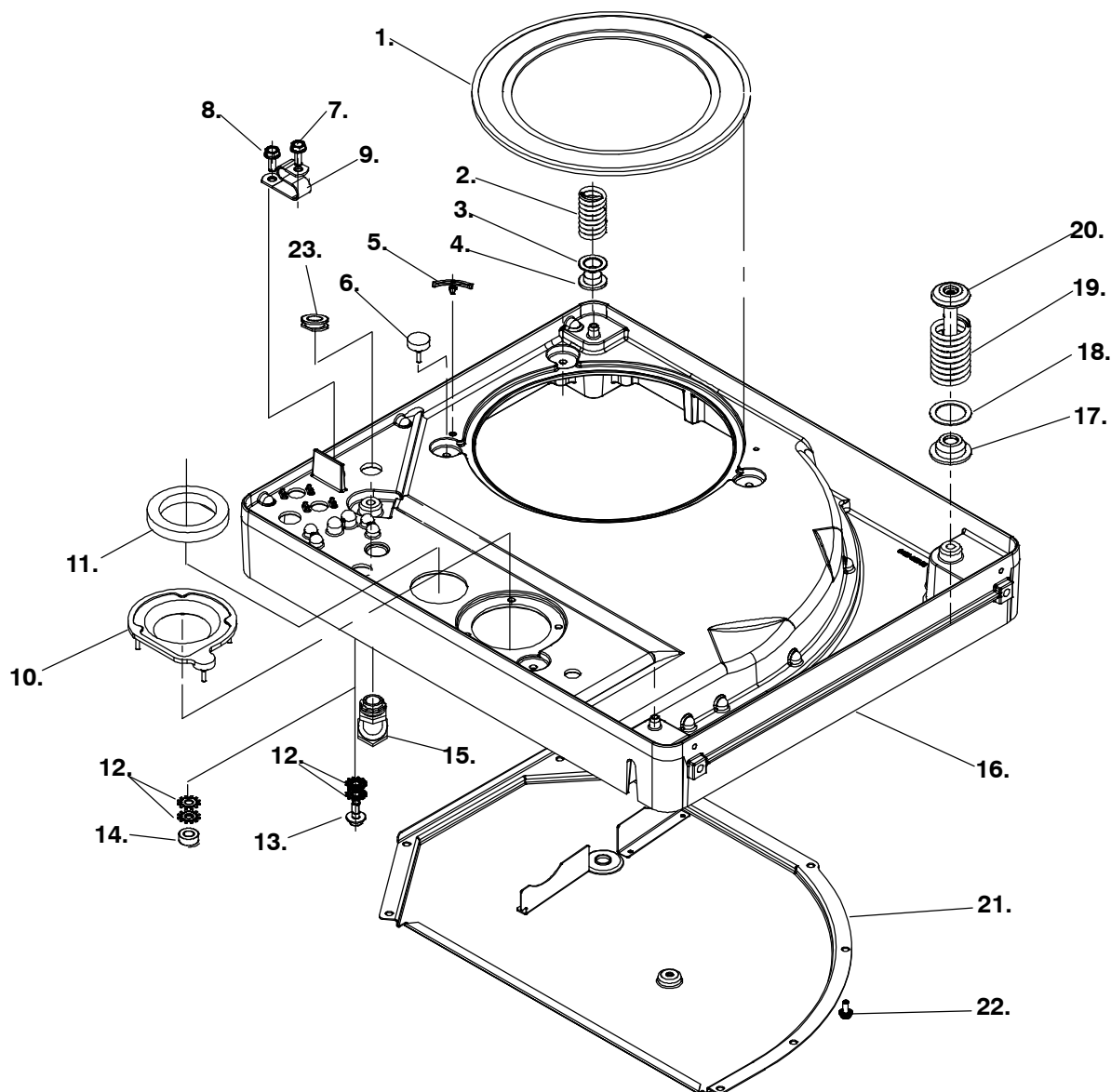
REF NO.	PART NO.	QTY USED	PART DESCRIPTION	REF NO.	PART NO.	QTY USED	PART DESCRIPTION
1.	509-0349	1	Seal, Brush	13.	134-5211	1	Cover, Oil Filter
2.	402-0733	2	Isolator, Spring	14.	856-0008	2	Washer, EIT Lock (5/16")
3.	526-0449	2	Washer, Flat	15.	815-0508	1	Screw, Hex Washer Head Thread Form (5/16-18 x 3/4")
4.	402-0746	2	Isolator, Rubber				Gasoline
5.	140-3203	2	Clip, Brush	16.	862-0015	1	Nut, Hex Heavy (5/16-18)(LP)
6.	402-0744	3	Isolator, Snubber	17.	331-0569	1	Elbow, 45° Conduit
7.			Screw, Hex Washer Head (M8 x 1.25 x 20mm)	18.	815-0384	4	Screw, Hex Washer Head Thread Form (3/8-18 x 3/4")
	815-0829-06	2	Gasoline	19.	403-4201-01	1	Pan, Drip
	815-0829-06	1	LP	20.	402-0745	2	Isolator, Rubber
8.	815-0836	1	Screw, Hex Washer Head (5/16-18 x 1.50") LP Only	21.	526-0448	2	Washer, Flat
9.	337-0049	1	Strap, Bond	22.	402-0727	2	Isolator, Vibration Spring
10.	508-1145	2	Grommet	23.	815-1543	2	Screw, Socket Head Torx
11.			Plug, Drip Pan	24.	508-1182	1	Grommet (5/8")
	517-0136	1	LP				
	517-0136	2	Gasoline (Not EFI)				
12.	405-6570	1	Seal, Air Intake				

Drip Pan Inlet Cover (HGJAD, HGJAE)



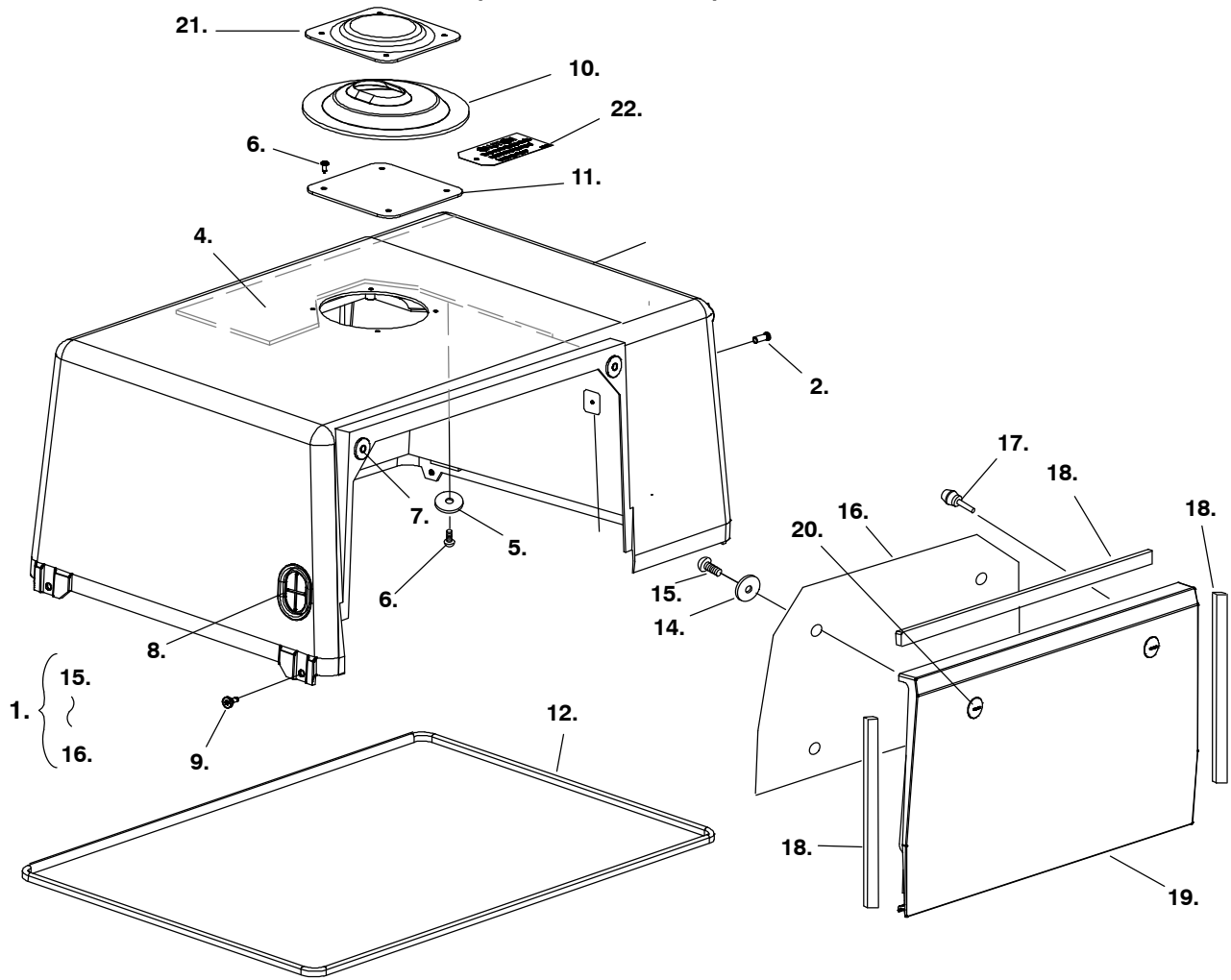
REF NO.	PART NO.	QTY USED	PART DESCRIPTION	REF NO.	PART NO.	QTY USED	PART DESCRIPTION
1.	405-6768	1	Insulation, Inlet Baffle	5.	815-0753	17	Screw, Hex Washer Head Thread Form (M6 x 14mm)
2.	A030C589	1	Retainer, Insulation				
3.	134-5232	1	Cover, Inlet				
4.	517-0351-01	1	Plug, Hole				

Drip Pan (HGJAF)



REF NO.	PART NO.	QTY USED	PART DESCRIPTION	REF NO.	PART NO.	QTY USED	PART DESCRIPTION
1.	509-0349	1	Seal, Brush	12.	856-0008	2	Washer, EIT Lock
2.	402-0733	2	Isolator, Spring	13.	815-0508	1	Screw, Hex Washer Head Thread Form (5/16-18 x 3/4")
3.	526-0449	2	Washer, Flat	14.	862-0015	1	Nut Hex (5/16-18)(LP)
4.	402-0746	2	Isolator, Rubber	15.	331-0569	1	Elbow, 45° Conduit
5.	140-3203	2	Clip, Brush	16.	403-4201-03	1	Pan, Drip
6.	402-0744	3	Isolator, Snubber	17.	402-0745	2	Isolator, Rubber
7.	815-0829-06	1	Screw, Hex Washer Head Thread Form (LP) (M8 x 1.25 x 20mm)	18.	526-0448	2	Washer, Flat
8.	815-0836	1	Screw, Hex Washer Head Thread Form (LP) (5/16-18 x 1.5")	19.	402-0727	2	Isolator, Spring
9.	337-0049	1	Strap, Bond	20.	815-1543	2	Screw, Socket Head Torx
10.	134-5211	1	Cover, Oil Filter	21.	134-5232	2	Cover Assy, Inlet
11.	405-6570	1	Seal, Air Intake	22.	815-0753	10	Screw, Locking Flange (M6 x 1 x 14)
				23.	508-1182	1	Grommet (5/8")

Housing (Spec A-E) (HGJAD, HGJAE)

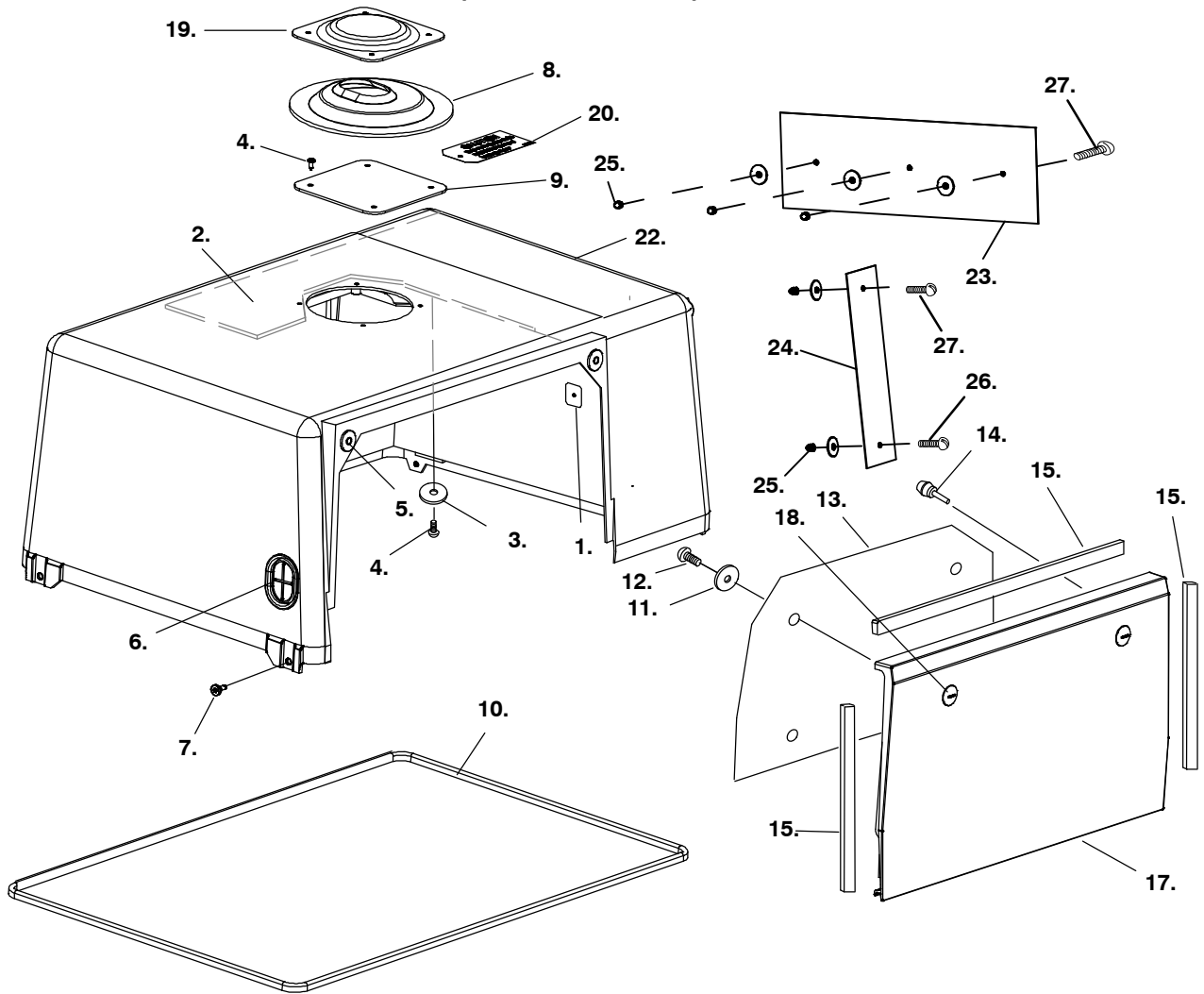


REF NO.	PART NO.	QTY USED	PART DESCRIPTION	REF NO.	PART NO.	QTY USED	PART DESCRIPTION
	0405-6915-02	1	Assy, Housing (Green) (Includes Parts Marked >)	13.			>Door Assy (Onan Green)
	0405-6915-03	1	Assy, Housing (Marine White) (Includes Parts Marked >)		0405-6918-02	1	(White)
1.	0405-6916-02		>Enclosure, Assy (Green) (Includes Parts Marked +)	14.	0526-0394	4	+Washer, Flat (1/4" ID x 1.25" OD)
	0405-6916-03	1	Assy, Housing (Marine White) (Includes Parts Marked *)	15.	0819-1145	4	+Screw, Round Head Machine (#10x1/2")
2.	0818-0226-01	2	*Rivet	16.	0405-5943-01	1	+Insulation, Door
3.	0870-0462	2	*Nut, Push-on	17.	0516-0258	2	+Pin, Latch
4.	0405-5940-01	1	*Insulation, Cover	18.	0405-4311-01	1	+Gasket, Door (1182mm)
5.	0526-0130	9	*Washer, Flat (1/4" ID x 1" OD)	19.			+Door, Enclosure RV (Black)
6.	0819-1145	9	*Screw, Pan Head Thread Form (#10 x 1/2")		405-6919-01		Commercial (Onan Green)
7.	0508-1164	2	*Grommet, Pin		405-6919-02		Commercial (Marine White)
8.	0508-1116	1	*Grommet, Remote	20.	0406-1128	2	+Latch, Door
9.	0823-0015	4	Screw, Shoulder Torx (M6 x 1 x 10mm)	21.	0405-7242	1	Cover, PTO (Units with PTO)
10.	0405-6979	1	Seal, Housing (Units with Pump)	22.	0098-7955	1	Label, Caution, Pump (with Hydraulic Pump)
11.	0405-6980	1	Cover, PTO (Units w/o PTO)				
12.	0508-1155	1	Seal, Cover (2736mm) (sold by the foot)				

* - Parts Included in Housing Assy.
+ - Parts Included in Door Assy.

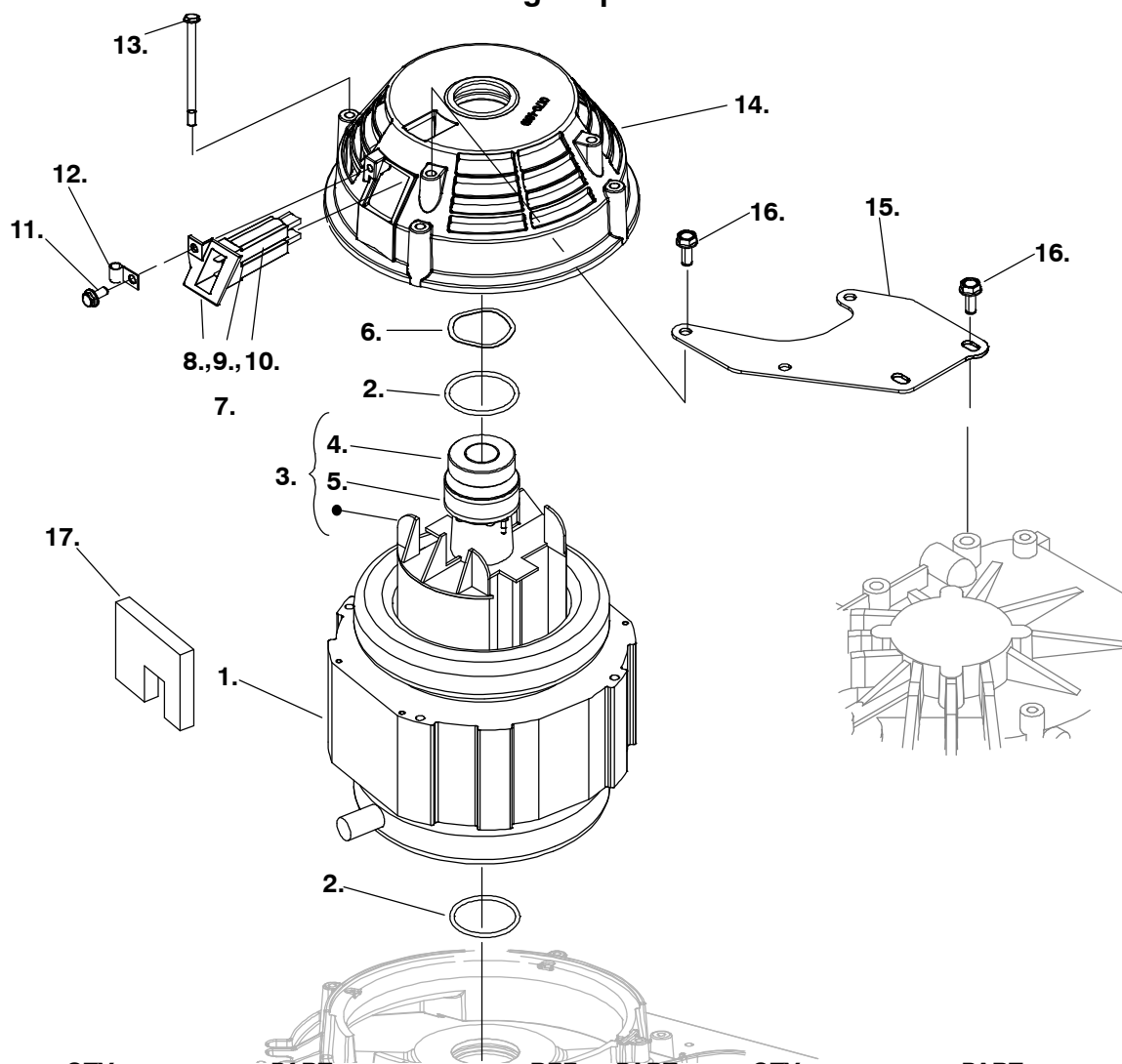
Note: HGJAF is unhousted

Housing (Begin Spec J) (HGJAD, HGJAE)



REF NO.	PART NO.	QTY USED	PART DESCRIPTION	REF NO.	PART NO.	QTY USED	PART DESCRIPTION
	A035H761	1	Assy, Housing	17.	405-6919-03	1	+Door, Enclosure
1.	0870-0642	2	Nut, Push-on	18.	0406-1128	2	Latch, Door
2.	A035H751	1	<Insulation, Cover	19.	0405-7242	1	Cover, PTO (Units with PTO)
3.	0526-0130	9	<Washer, Flat (1/4" ID x 1" OD)	20.	0098-7955	1	Label, Caution, Pump (with Hydraulic Pump)
4.	0819-1145	9	+<Screw, Pan Head Thread Form (#10 x 1/2")	21.	A035H759	1	*Assy, Enclosure Cover
5.	0508-1164	2	<Grommet, Pin	22.	A035H872	1	<Cover, Enclosure
6.	0508-1116	1	<Grommet, Remote	23.	A035H737	1	<Shield, Heat
7.	0823-0015	4	Screw, Shoulder Torx (M6 x 1 x 10mm)	24.	A035H739	1	<Shield, Heat
8.	0405-6979	1	Seal, Housing (Units with Pump)	25.	A035H735	5	<Nut, Acron
9.	0405-6980	1	Cover, PTO (Units w/o PTO)	26.	A047C770	1	#<Screw, Button Head (25mm)
10.	0508-1155	1	Seal, Cover (2736mm) (sold by the foot)	27.	A047C768	1	#< Screw, Button Head (20mm)
11.	0526-0394	4	+<Washer, Flat (1/4" ID x 1.25" OD)	28.	A047N988	1	Kit, Screws
12.	0819-1145	4	<Screw, Round Head Machine (#10 x 1/2")				* - Parts Included in Housing Assy.
13.	0405-5943-01	1	+Insulation, Door				< - Parts Included in Enclosure Assy
14.	0516-0258	2	+Pin, Latch				+ - Parts Included in Door Assy.
15.	0405-4311-01	1	+Gasket, Door (1182mm)				# - Parts Included in Screw Kit
16.	405-6918-03	1	*Assy, Door				

Generator HGJAD Begin Spec A HGJAE Begin Spec A

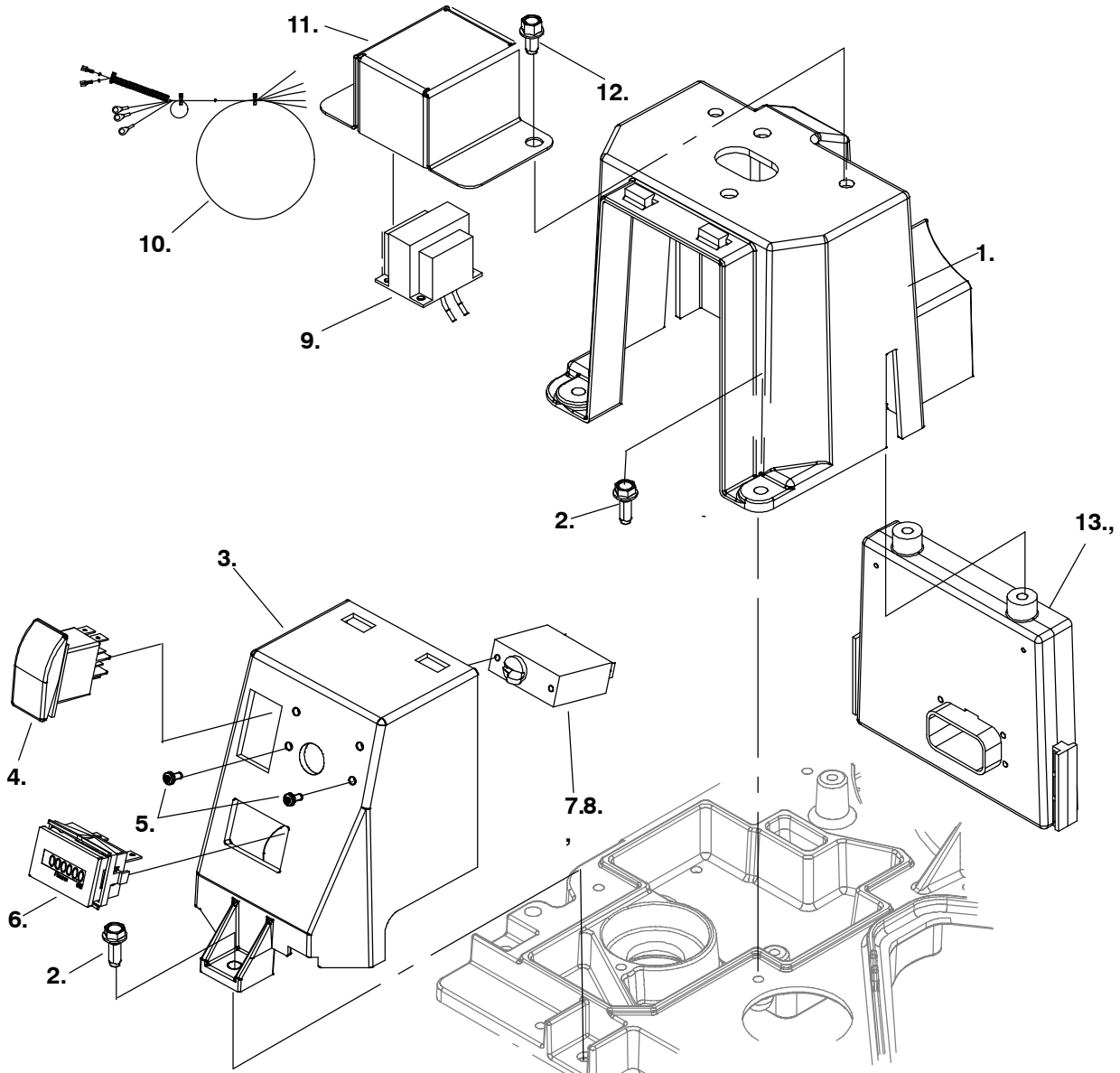


REF NO.	PART NO.	QTY USED	PART DESCRIPTION	REF NO.	PART NO.	QTY USED	PART DESCRIPTION
1.	A053N538	1	Stator Single Phase 3 Wire 120/240 (For 5.5, 6.5 and 7 kW gensets)	9.	214-0109	2	Brush, Generator
	A053T934	1	Single Phase 2 Wire 120	10.	212-1276-03	2	Spring, Generator Brush
	A053T986	1	Three Phase 4 Wire (Delta)	11.	815-0753	1	Screw, Hex Washer Head Thread Form (M6 x 14mm)
	A053T937	1	Single Phase 2 Wire (5.5kW) (120V)(Begin Spec J)	12.	332-2319	1	Clamp, Cable
	A053T727	1	Single Phase 3 Wire (120/240V)(Begin Spec J) (Only for 5.5 kW gensets)	13.	815-0927-01	4	Bolt (M6 x 1 x 160mm) (Spec A-E)
2.	509-0420	2	O'Ring		815-0927-02	4	(Single Phase 2 and 3 Wire (5.5kW)(Begin Spec J)
3.			Rotor Assy (Includes Bearings and Collector Ring)	14.	211-0508	1	Endbell, Generator
	201-3567-02	1	Spec A	15.	211-0494-02	1	Bracket, Generator Stab (Spec A-E)
	201-3638-02	1	Begin Spec B		211-0500-02	1	Single Phase 2 and 3 Wire (5.5kW)(Begin Spec J)
	201-3638-01	1	Single Phase 2 and 3 Wire (5.5kW)(Begin Spec J)	16.	815-0829-06	4	Screw, Hex Washer Thread Form (M8 x 1.25 x 20mm)
4.	510-0217	2	Bearing, Ball	17.	405-6701	1	Seal, Control
5.	204-0141	1	Ring, Collector				
6.	851-0045	1	Washer, Wave				
7.	212-1303	1	Block, Brush (Includes Block, Brush and Spring)				
8.	212-1304	1	Block, Brush				

Note- Rotor and Stator parts now only available as combined part. See HGJAD Spec K and HGJAE Spec L Generator Part numbers for details.

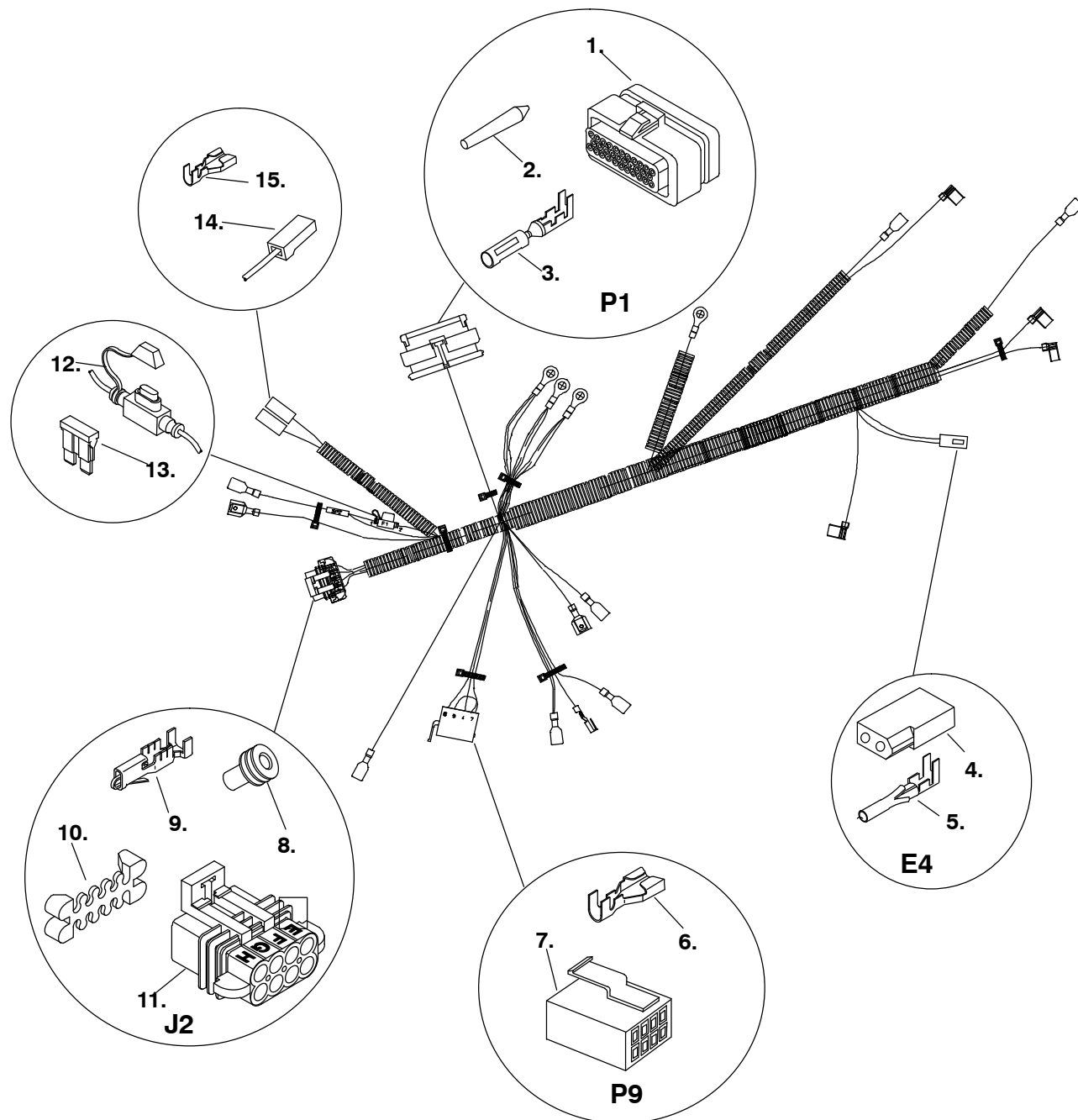
This Page Intentionally Left Blank.

Control



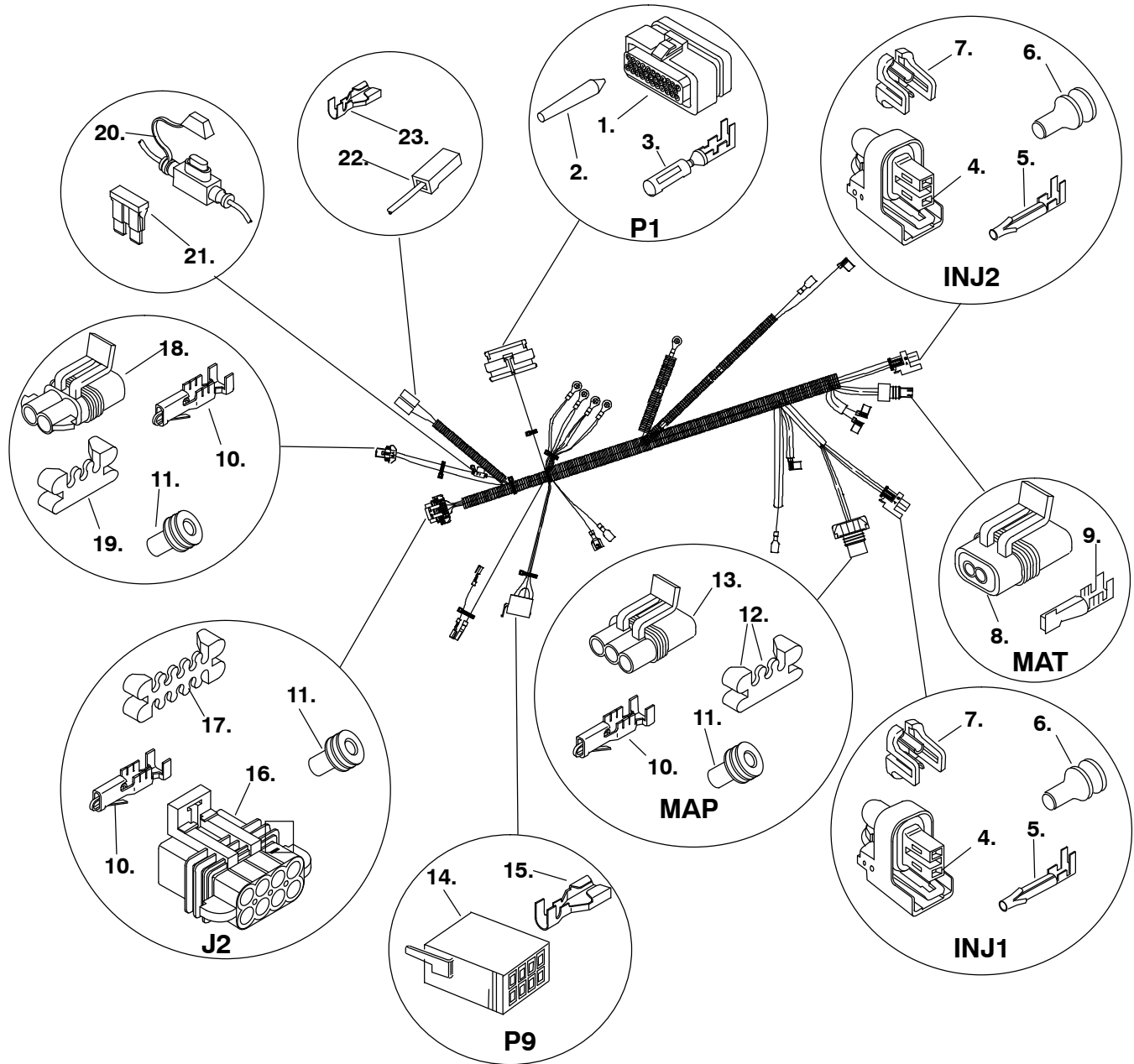
REF NO.	PART NO.	QTY USED	PART DESCRIPTION	REF NO.	PART NO.	QTY USED	PART DESCRIPTION
1.	319-4308	1	Cover, Control	10.	338-3706	1	Harness, AC Output
	319-4308-01	1	Single Phase Sets		338-4059	1	Single Phase (120 Volts)
			Three Phase Sets		338-3928	1	Single Phase (120/240 Volts)
2.	815-0941-03	6	Screw, Hex Washer Head				Three Phase
			Thread Form (M6 x 1 x 18mm)	11.	319-4515-02	1	Cover, Control (Three Phase)
3.	319-4307-02	1	Cover, Switch	12.	815-0943-02	2	Screw, Hex Washer Head
4.	308-1038	1	Switch, Rocker				Thread Form (1/4-10 x 1/2")
5.	815-0550-03	4	Screw, Phillips (#6-32 x 3/8")	13.		1	Control, PCB
6.	302-2048	1	Hourmeter		300-5047	1	HGJAD, HGJAE (Spec A-E)
7.	320-1649-04	1	Breaker, Circuit 18 Amp		A032Y912	1	and HGJAF (Spec A-C)
			Three Phase				Control Assy
8.	320-1548-05	1	Breaker, Circuit 30 Amp				(HGJAD and HGJAE (Begin
			Single Phase				Spec J)
9.	315-0856	1	Transformer, (Three Phase)				

Engine Harness (HGJAE, HGJAF) (Spec A-E)



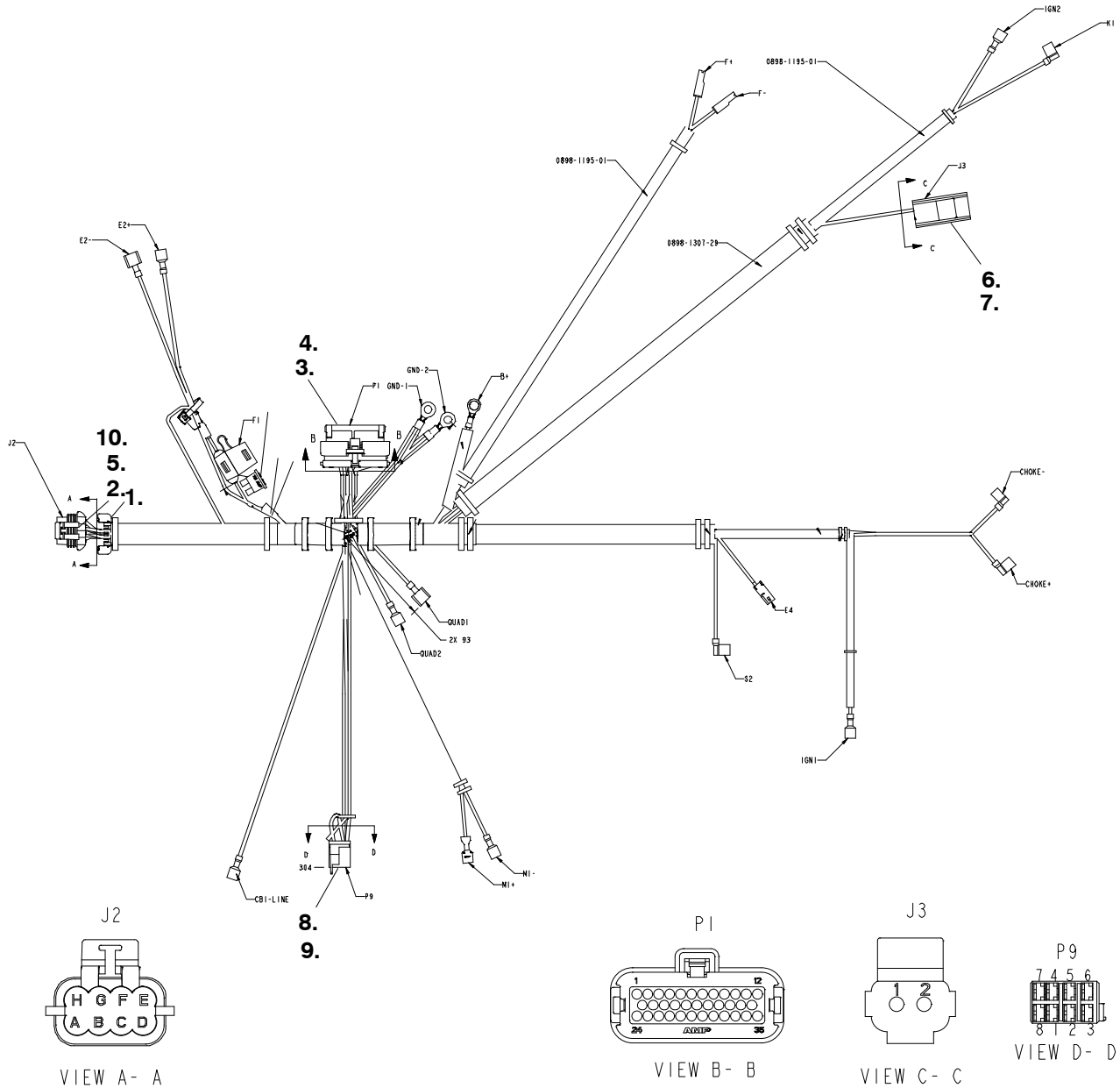
REF NO.	PART NO.	QTY USED	PART DESCRIPTION	REF NO.	PART NO.	QTY USED	PART DESCRIPTION
	338-3924	1	Harness, Engine (Carbureted)	8.	323-1708	10	Seal, Cable (J2)
1.	323-1819-01	1	Connector, Plug (P1) (35 Pin)	9.	323-1709	AR	Terminal, Socket (J2)
2.	323-1615	5	Plug, Cavity (P1)	10.	323-1741	1	Housing, Lock (J2)
3.	323-1614-01	AR	Terminal, Socket (P1)	11.	323-1743	1	Connector, Plug (J2) (8 Pin)
4.	323-1861	AR	Housing, 2 Pin (E4)	12.	321-0325	1	Holder, Fuse (Blade Type)
5.	323-1860	AR	Terminal, Socket (E4)	13.	323-0307-04	1	Fuse (75 Amp)
6.	332-2928	AR	Terminal, Receptacle (P9)	14.	323-1871	AR	Housing, Connector (F-, F+)
7.	308-1019	1	Connector, Switch Housing (P9)	15.	323-1870	AR	Receptacle, Terminal (F-, F+)

Engine Harness (HGJAD) (Spec A-E)



REF NO.	PART NO.	QTY USED	PART DESCRIPTION	REF NO.	PART NO.	QTY USED	PART DESCRIPTION
	338-3927	1	Harness, Engine (EFI)	12.	323-1816	1	Housing, Lock (MAP, J2)
1.	323-1819-01	1	Connector, Plug (35 Pin)(P1)	13.	323-1815	1	Housing, Connector (MAP)
2.	323-1615	5	Plug, Cavity (P1)	14.	308-1019	1	Connector, Switch Housing (P9)
3.	323-1614-01	AR	Socket, Terminal (P1)	15.	332-2928	AR	Terminal, Receptacle (P9)
4.	323-1812	AR	Housing, Connector (INJ1, INJ2)	16.	323-1743	1	Connector, Plug (J2) (8 Pin)
5.	323-1810	AR	Terminal, Socket (INJ1, INJ2)	17.	323-1741	1	Housing, Lock (J2)
6.	323-1813	4	Terminal, Seal (INJ1, INJ2)	18.	323-1884	1	Connector, (2 Pin) (E2, E1)
7.	323-1814	2	Housing, Lock (INJ1, INJ2)	19.	323-1890	1	Housing, Lock (E2)
8.	323-1817	1	Housing, Connector (MAT)	20.	321-0325	1	Holder, Fuse (Blade Type)
9.	323-1818	AR	Terminal, Socket (MAT)	21.	321-0307-04	1	Fuse (75 Amp)
10.	323-1709	AR	Terminal, Socket (J2, MAP, E2, E1)	22.	323-1871	AR	Housing, Connector (F-, F+)
11.	323-1708	10	Seal, Cable (J2, MAP)(E2, E1)	23.	323-1870	AR	Receptacle, Terminal (F-, F+)

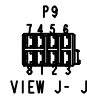
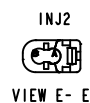
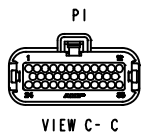
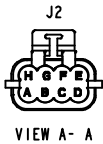
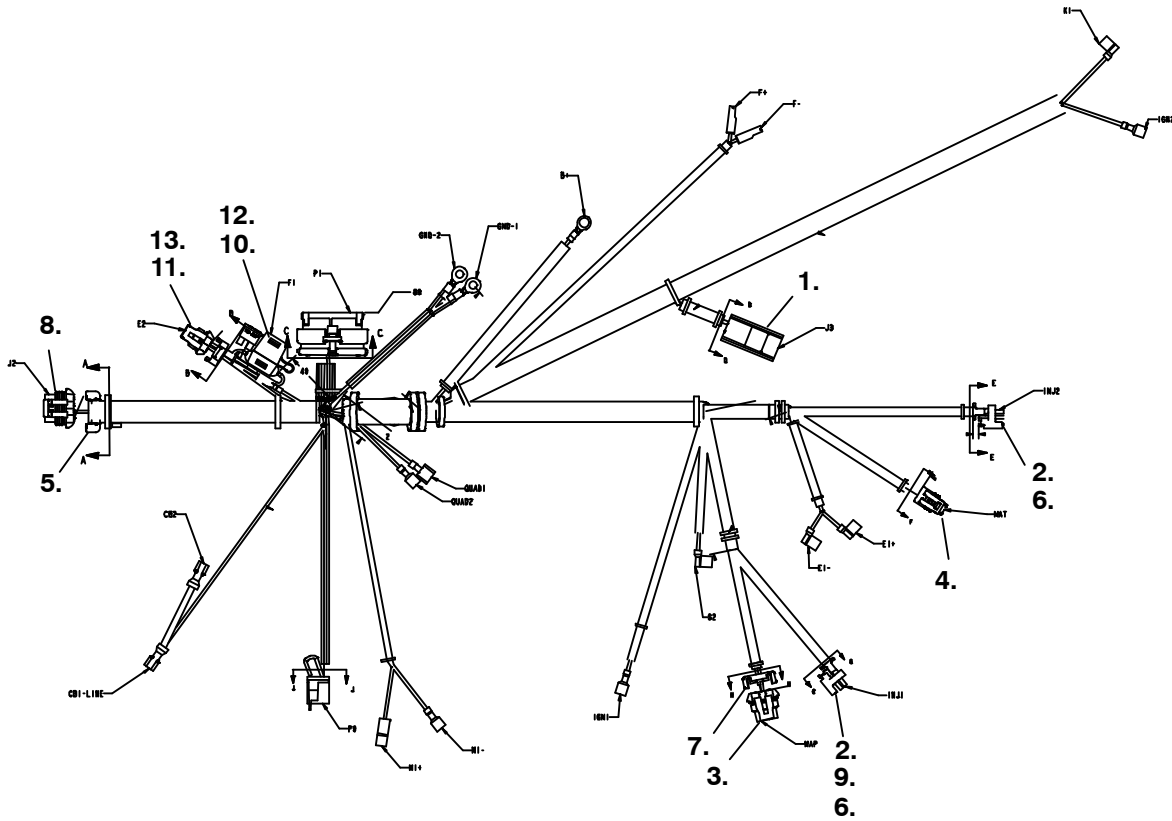
Engine Harness (Non EFI) HGJAE (Begin Spec J)



REF NO.	PART NO.	QTY USED	PART DESCRIPTION
	A030N228	1	Harness, Engine
1.	323-1741	1	Housing, Lock
2.	323-1708	8	Seal, Cable
3.	323-1819-01	8	Connector, Plug
4.	323-1614-01	23	Terminal, Socket
5.	323-1709	5	Terminal, Socket

REF NO.	PART NO.	QTY USED	PART DESCRIPTION
6.	323-2568	1	Connector, Receptical
7.	332-4343	2	Terminal, Socket
8.	308-1019	1	Connector, Switch
9.	332-2928	9	Terminal, Receptacle
10.	323-1743	1	Connector, Plug

Engine Harness (EFI) HGJAD (Begin Spec J)



REF NO.	PART NO.	QTY USED	PART DESCRIPTION	REF NO.	PART NO.	QTY USED	PART DESCRIPTION
	A030N230	1	Harness, Engine	8.	323-1708	10	Seal, Cable
1.	323-2568	1	Connector, Receptacle	9.	323-1813	4	Seal, Cable
2.	323-1812	2	Connector	10.	321-0325	1	Holder, Fuse
3.	323-1815	1	Connector, Housing	11.	323-1884	1	Connector, Two Pin
4.	323-1817	1	Connector, Housing	12.	321-0307	1	Fuse (7.5 Amp)
5.	323-1741	1	Housing, Lock	13.	323-1890	1	Housing, Lock
6.	323-1814	2	Housing, Lock				
7.	323-1816	1	Housing, Lock				

Overhaul Kit (Gasket Kit)

REF NO.	PART NO.	QTY USED	PART DESCRIPTION	REF NO.	PART NO.	QTY USED	PART DESCRIPTION
1.	0541-1428		Kit, Overhaul (Gasket Kit) (Includes the Following Parts)				
	0187-6006	1	Oil Seal		0187-6108	1	O-Ring
	0187-6236	2	Gasket Rocker Cover		0187-6228	1	Oil Seal
	0187-6224	1	Gasket Cyl HD 1		0187-9170	1	Gasket (MB Cover)
	0187-6230	1	Gasket Cyl HD 2		0187-6239	2	O-Ring
	0187-6025	2	Gasket Breather Plate		0154-2746	2	Gasket Exh Manf
	0154-3085	2	Gasket Intk Manifold		0154-3112	1	Gasket Exh Manifold
	0141-0982	2	Gasket Carb		0154-2765	1	Gasket Exh Manf (Adapter Plug)
	0141-0983	1	Gasket Carb		0509-0349	1	Seal, Brush
	0147-0864	1	O-Ring Injector		0405-6570	1	Seal, Air Intake
	0147-0865	2	O-Ring Injector		0509-0196	2	O-Ring
	0509-0307	1	O-Ring		0187-6015	2	Seal, Intake Valve
					0187-6234	2	Seal, Exhaust Valve

Labels, Accessories

REF NO.	PART NO.	QTY USED	PART DESCRIPTION	REF NO.	PART NO.	QTY USED	PART DESCRIPTION
	543-0001	1	Label, Package		A032X745	1	Label, Warning
	543-0002-01	1	Label, Package				
	543-0002-02	1	Label, Package				
	543-0002-03	1	Label, Package				
	98-7903	1	Label, Caution (No Step) HGJAD, HGJAE		Accessories		
	98-7906	1	HGJAD, HGJAE		338-4155-01	1	Harness, Remote Panel
	98-7908-01	1	5500, HGJAF		338-4155-02	1	Harness, Remote Panel
	98-7908-02	1	7000, HGJAF		338-4156	1	Harness, Accessory
	98-7907-01	1	Label, 5500, HGJAE		541-0671	1	Kit, fuel system (Ford Truck)
	98-7907-02	1	Label, 7000, HGJAE		541-0672	1	Kit, fuel system (GM Truck)
	98-7907-06	1	Label, 7000, HGJAD		541-0673	1	Kit, fuel system (Ford E Van)
	98-7907-05	1	Label, 5500, HGJAD				
	98-7955	1	Label, Caution, Pump				

Numerical Index

<u>Part No.</u>	<u>Page</u>	<u>Part No.</u>	<u>Page</u>	<u>Part No.</u>	<u>Page</u>	<u>Part No.</u>	<u>Page</u>
0098-7955, 42 , 43		0516-0258, 42 , 43		140-3122, 27		150-2745, 15 , 16	
0141-0982, 51		0526-0130, 42 , 43		140-3123, 27		150-2747, 15 , 16	
0141-0983, 51		0526-0394, 42 , 43		140-3203, 39 , 41		150-2748, 15 , 16	
0147-0864, 51		0718-1017, 18 , 19 , 21		140-3212, 37		150-2771, 15 , 16	
0147-0865, 51		0818-0226-01, 42		141-0982, 17 , 18 , 19 , 24		151-0719, 20	
0154-2746, 51		0819-1145, 42 , 43 , 43		141-0983, 17 , 18 , 19 , 24		151-0723, 20	
0154-2765, 51		0823-0015, 42 , 43		146-0773, 17 , 18 , 24		151-0777, 15 , 16	
0154-3085, 51		0870-0462, 42		146-0774, 17		154-2746, 33	
0154-3112, 51		0870-0642, 43		146-0782, 19 , 20		154-2765, 34	
0187-6006, 51		098-7903, 52		146-0786, 20		154-3043, 33	
0187-6015, 51		098-7906, 52		146-0791, 24		154-3067-01, 17 , 18	
0187-6025, 51		098-7907-01, 52		146-0795, 17 , 18		154-3067-03, 24	
0187-6108, 51		098-7907-02, 52		146-0843, 20		154-3067-04, 21	
0187-6224, 51		098-7907-05, 52		146-0844, 20		154-3070, 19	
0187-6228, 51		098-7907-06, 52		146-0850, 20		154-3085, 17 , 18 , 19 , 24	
0187-6230, 51		098-7908-01, 52		147-0855, 21		154-3091, 33	
0187-6234, 51		098-7908-02, 52		147-0856, 21		154-3092, 33	
0187-6236, 51		098-7955, 52		147-0859, 22		154-3112, 34	
0187-6239, 51		102-1491, 29		147-0860, 19		155-2610-02, 34	
0187-9170, 51		102-1492, 29		147-0864, 21		155-3178, 34	
0405-4311-01, 42 , 43		104-1953, 14		147-0865, 21		155-3387, 34	
0405-5940-01, 42		104-1958, 14		147-0866, 21		155-3468, 33	
0405-5943-01, 42 , 43		104-1959, 14		147-0867, 21		155-3469, 33	
0405-6570, 51		104-1978, 10 , 11		147-0868, 21		155-3470, 33	
0405-6915-02, 42		104-1999-02, 14		148-1131-SO, 25		155-3499, 33	
0405-6915-03, 42		110-3929, 7		148-1145, 25		166-0859-01, 37	
0405-6916-02, 42		110-3930, 7		148-1158, 26		166-0859-02, 37	
0405-6916-03, 42		110-3939, 7 , 8		148-1303-02, 25		167-1638, 7 , 8	
0405-6918-02, 42		121-0122-02, 9		148-1337, 19		187-6001, 7 , 8	
0405-6918-03, 42		121-0130, 7 , 8		149-2341, 18		187-6002, 7 , 8	
0405-6979, 42 , 43		122-0836, 29		149-2341-01, 17		187-6005, 7 , 29 , 31	
0405-6980, 42 , 43		123-2109, 27		149-2620, 17 , 18		187-6006, 7 , 15 , 16	
0405-7242, 42 , 43		134-5188-02, 36		149-2628, 26		187-6011, 29	
0406-1128, 42 , 43		134-5189-02, 36		149-2657, 22		187-6012, 29	
0508-1116, 42 , 43		134-5205-01, 38		149-2661, 22		187-6015, 7	
0508-1155, 42 , 43		134-5211, 39 , 41		150-2685, 20		187-6016, 7 , 8	
0508-1164, 42 , 43		134-5232, 40 , 41		150-2742, 15 , 16		187-6025, 7	
0509-0196, 51		140-3116, 27		150-2743, 15 , 16		187-6026, 7	
0509-0307, 51		140-3121, 27		150-2744-02, 15 , 16		187-6030, 7	
0509-0349, 51						187-6033, 7	

Numerical Index

<u>Part No.</u>	<u>Page</u>	<u>Part No.</u>	<u>Page</u>	<u>Part No.</u>	<u>Page</u>	<u>Part No.</u>	<u>Page</u>
187-6035,	7	187-6247,	10 , 11	300-5047,	46	323-1884,	48 , 50
187-6036,	29	187-6248,	10 , 11	302-2048,	46	323-1890,	48 , 50
187-6042,	10 , 11	187-6249,	10 , 11	305-1006,	37	323-2568,	49 , 50
187-6043,	10	187-6250,	10	307-2935,	26	331-0569,	39 , 41
187-6044,	10	187-6251,	10 , 11	307-2938,	26	332-2319,	44
187-6045,	10	187-6252,	12	308-1019,	47 , 48 , 49	332-2904,	36
187-6055,	12 , 13	187-6255,	12	308-1038,	46	332-2928,	47 , 48 , 49
187-6056,	12	187-6256,	12	315-0856,	46	332-3708,	37
187-6057,	12	187-6257,	12	319-4307-02,	46	332-4343,	49
187-6058,	12	187-6258,	12	319-4308,	46	337-0049,	39 , 41
187-6059,	12	187-6259,	12	319-4308-01,	46	338-3706,	46
187-6060,	12	187-6260,	12	319-4515-02,	46	338-3924,	47
187-6085,	15	187-6261,	29 , 31	320-1548-05,	46	338-3927,	48
187-6092,	15	187-6262,	29	320-1649-04,	46	338-3928,	46
187-6107,	7 , 8	187-6263,	29	321-0307,	50	338-4059,	46
187-6108,	29	187-6265,	29	321-0307-04,	47 , 48	338-4155-01,	52
187-6111,	29	187-6266,	29	321-0325,	47 , 48 , 50	338-4155-02,	52
187-6112,	29	187-6268,	29	323-1614-01,	47 , 48 , 49	338-4156,	52
187-6223,	7	187-6269,	29	323-1615,	47 , 48	363-0205,	37
187-6224,	7	187-6270,	15	323-1708,	47 , 48 , 49 , 50	402-0727,	39 , 41
187-6225,	7	187-6271,	15	323-1709,	47 , 48 , 49	402-0733,	39 , 41
187-6226,	7	187-6272,	15	323-1741,	47 , 48 , 49 , 50	402-0744,	39 , 41
187-6227,	7	187-6238,	7	323-1743,	47 , 48 , 49	402-0745,	39 , 41
187-6228,	29	190-0753,	14	323-1810,	48	402-0746,	39 , 41
187-6229,	29	190-0754,	14	323-1812,	48 , 50	402-0754,	34
187-6230,	7	190-0758,	14	323-1813,	48 , 50	402-0755,	34
187-6231,	29 , 31	190-0759,	14	323-1814,	48 , 50	403-4200,	37
187-6232,	7	193-0469,	21	323-1815,	48 , 50	403-4201-01,	39
187-6233,	7 , 8	193-0480,	21	323-1816,	48 , 50	403-4201-03,	41
187-6234,	7	201-3567-02,	44	323-1817,	48 , 50	405-6103,	33
187-6235,	7	201-3638-01,	44	323-1818,	48	405-6570,	39 , 41
187-6236,	7	201-3638-02,	44	323-1819-01,	47 , 48 , 49	405-6701,	44
187-6237,	29 , 31	204-0141,	44	323-1860,	47	405-6768,	40
187-6239,	29 , 31	205-0265,	14	323-1861,	47	405-6918-03,	43
187-6240,	29 , 31	211-0494-02,	44	323-1870,	47 , 48	405-6919-01,	42
187-6241,	7 , 8	211-0500-02,	44	323-1871,	47 , 48	405-6919-02,	42
187-6242,	10	211-0508,	44			405-6919-03,	42
187-6243,	10	212-1276-03,	44			502-0090,	26
187-6244,	10 , 11	212-1303,	44			502-0313,	23
187-6245,	10 , 11	212-1304,	44			502-0313-02,	23
187-6246,	10 , 11	214-0109,	44				

Numerical Index

<u>Part No.</u>	<u>Page</u>	<u>Part No.</u>	<u>Page</u>	<u>Part No.</u>	<u>Page</u>	<u>Part No.</u>	<u>Page</u>
502-1296-02	23 , 26	510-0202-01	14	800-0730	34	870-0462	34
502-1314	21	511-0190-01	14	800-2000	21	870-0506	15 , 16
502-1331-02	26	511-0190-02	14	800-2031	32	870-0557	33 , 34
502-1339	26	512-0194	14	800-2033	21	870-0558	15 , 16
502-1344-01	25	512-0199	14	800-2040	26	870-2055	29 , 31
502-1345	25	512-0200	14	800-3009	20	870-2065-02	14 , 27
502-1346-01	25	512-0208	14	815-0384	39	870-2222	37
502-1347-01	26	512-0243	14	815-0508	39 , 41	895-0394	19
502-1348-01	26	512-0268	14	815-0550-03	46	898-1347	19
502-1353-01	25 , 26	515-0094	14	815-0753	17 , 18 , 25 , 34 , 36 , 40 , 41 , 44	A026E529	17
502-1366	26	517-0136	39	815-0776	26	A026H890	33
503-0103	29 , 31	517-0351-01	40	815-0793-05	37	A029J450	18
503-1445-04	25	518-0533	7 , 8	815-0829-06	14 , 39 , 41 , 44	A029M248	19
503-1951-10	17 , 18 , 19	518-0548-04	19	815-0836	39 , 41	A029P528	29 , 31
503-1951-13	19	520-1015	17 , 18 , 19 , 24	815-0927-01	44	A029S253	17
503-1951-20	24 , 25 , 26	526-0003	20	815-0927-02	44	A030C565	34
503-2143-02	25	526-0017	14	815-0930	14	A030C572	14
503-2143-03	24	526-0018	26 , 34	815-0941-03	27 , 37 , 46	A030C589	40
503-2176	33	526-0065	29 , 31	815-0943-02	46	A030H483	33
503-2191	25	526-0172	14	815-0954-03	9 , 29 , 31	A030J333	32
503-2736-01	19	526-0448	39 , 41	815-0954-05	37	A030J339	32
503-2736-02	19	526-0449	39 , 41	815-0954-08	17 , 18 , 19 , 24	A030J351	32 , 35
503-2737-01	19	526-0461	14	815-0969-02	38	A030J361	32
503-2848	21	541-0671	22 , 52	815-0969-03	38	A030J367	34
504-0150	29	541-0672	52	815-1543	39 , 41	A030M065	35
504-0204	29 , 31	541-0673	22 , 52	821-0010	37	A030N228	49
505-0057	25	541-0765	17	821-2032	15 , 16 , 25	A030N230	50
505-1567	15 , 16	541-0767	22	821-2033	14 , 25	A030T642	19
505-1572	17 , 18	541-0787	22	821-2046	25	A030T899	43
505-1573	17	541-0788	22	850-0045	37	A032X745	52
508-1133	37	541-0789	22	850-2005	21	A032Y912	46
508-1134	37	541-0933	22	850-2006	21	A035H735	43
508-1142	37	541-1002	22	851-0045	44	A035H737	43
508-1145	39	541-1153	22	854-0028	23 , 26	A035H739	43
508-1182	39 , 41	541-1222	17	856-0008	39 , 41	A035H751	43
509-0307	29	543-0001	52	862-0015	39 , 41	A035H759	43
509-0349	39 , 41	543-0002-01	52	868-0007	23 , 26	A035H761	43
509-0420	44	543-0002-02	52			A035H872	43
510-0099	44	543-0002-03	52			A040F491	17 , 18
		718-1058	14			A040N099	18
		725-1006	7 , 8			A041E117	32

Numerical Index

<u>Part No.</u>	<u>Page</u>	<u>Part No.</u>	<u>Page</u>	<u>Part No.</u>	<u>Page</u>	<u>Part No.</u>	<u>Page</u>
A041P558,	18	A063H434,	8	A064B162,	8		
A043B658,	18	A063H435,	8	A064B163,	8		
A043B781,	18	A063H438,	8				
A047C768,	43	A063H440,	8				
A047C770,	43	A063H441,	31				
A047N988,	43	A063H444,	16				
A048V866,	37	A063H445,	16				
A053N538,	44	A063H446,	11				
A053T727,	44	A063H447,	11				
A053T934,	44	A063H448,	31				
A053T937,	44	A063H450,	31				
A053T986,	44	A063H451,	31				
A056M508,	7	A063H453,	16				
A056M510,	7	A063H454,	16				
A056M512,	7	A063H584,	13				
A056M514,	7	A063H586,	13				
A061H710,	8	A063H587,	13				
A062C959,	29 , 31	A063H613,	31				
A062H392,	13	A063H614,	31				
A062K706,	31	A063H615,	31				
A063H344,	31	A063H618,	8				
A063H347,	13	A063K662,	8				
A063H353,	8	A063K666,	31				
A063H356,	8	A063K677,	8				
A063H357,	8	A063K680,	8				
A063H370,	11	A063K681,	31				
A063H376,	31	A063K682,	8				
A063H380,	13	A063K685,	8				
A063H387,	13	A063K687,	11				
A063H388,	13	A063K696,	11				
A063H389,	13	A063K697,	11				
A063H391,	13	A063K699,	31				
A063H419,	31	A063K701,	31				
A063H420,	8	A063K702,	16				
A063H423,	8	A063K703,	13				
A063H425,	8	A063K705,	13				
A063H427,	8	A063K707,	31				
A063H428,	31	A063K710,	31				
A063H430,	8	A063K713,	31				
A063H431,	8	A063K726,	8				
A063H432,	8	A064B161,	8				

power.cummins.com

Copyright © 2020 Cummins Inc. All rights reserved.

Cummins, Onan, and the "C" logo are registered trademarks of Cummins Inc. and its subsidiaries.

Other company, product, or service names may be trademarks or service marks of others.

Specifications are subject to change without notice.

