



Operator Manual

Onan Generator Set for Commercial Mobile

HDKAL (Spec B–J)

HDKAS (Spec B–F)

California

Proposition 65 Warning

Warning: Natural Gas/Liquid Propane Gas engine exhaust and some of its constituents are known to the State of California to cause cancer, birth defects, and other reproductive harm.



WARNING



**Do not use this genset on a boat
Such use may violate U. S. Coast Guard
regulations and can result in
severe personal injury or death from
fire, electrocution, or
carbon monoxide poisoning**

Table of Contents

SAFETY PRECAUTIONS	1
INTRODUCTION	3
ABOUT THIS MANUAL	3
MODEL IDENTIFICATION	3
FUEL RECOMMENDATIONS	3
BIO-DIESEL FUELS B5 – B20	4
ENGINE OIL RECOMMENDATIONS	5
BATTERIES	5
GENERATOR SET-MOUNTED CONTROL PANEL	5
REMOTE CONTROL PANELS	5
OPERATION	7
PRE-START CHECKS	7
STARTING	7
STOPPING	8
POWERING APPLIANCES	8
CONNECTIONS to UTILITY POWER	9
RESETTING LINE CIRCUIT BREAKERS	9
ENGINE BREAK-IN	9
NO-LOAD OPERATION	9
GENERATOR SET EXERCISE	10
GENERATOR SET STORAGE	10
RETURNING GENERATORE SET to SERVICE	10
PERIODIC MAINTENANCE SCHEDULE	11
MAINTENANCE PROCEDURES	13
GENERAL INSPECTION	13
CHANGING OIL AND OIL FILTER	14
AIR CLEANER MAINTENANCE	16
SPARK ARRESTER CLEANING	16
BATTERIES	16
ENGINE COOLING SYSTEM	17
FUEL SYSTEM	19

Table of Contents

TROUBLESHOOTING	21
FAULT CODE BLINKING	21
RESTORING FAULT CODE BLINKING	21
ENGINE DOES NOT CRANK	21
ENGINE CRANKS BUT DOES NOT START	22
ENGINE LACKS POWER OR UNSTABLE	23
NO OUTPUT VOLTAGE	24
SPECIFICATIONS	25
INFORMATION FOR CALIFORNIA GENERATORE SET USERS	27
HOW TO OBTAIN SERVICE	29
MAINTENANCE RECORD	31

Safety Precautions

Thoroughly read the OPERATOR'S MANUAL before operating the generator set. Safe operation and top performance can be obtained only by proper operation and maintenance.

The following symbols in this Manual alert you to potential hazards to the operator, service personnel and equipment.

⚠ DANGER alerts you to an immediate hazard which will result in severe personal injury or death.

⚠ WARNING alerts you to a hazard or unsafe practice which can result in severe personal injury or death.

⚠ CAUTION alerts you to a hazard or unsafe practice which can result in personal injury or equipment damage.

Electricity, fuel, exhaust, moving parts and batteries present hazards which can result in severe personal injury or death.

GENERAL PRECAUTIONS

- Keep ABC fire extinguishers handy.
 - Make sure all fasteners are secure and torqued properly.
 - Keep the generator set and its compartment clean. Excess oil and oily rags can catch fire. Dirt and gear stowed in the compartment can restrict cooling air.
 - Let the engine cool down before removing the coolant pressure cap or opening the coolant drain. Hot coolant under pressure can spray out and cause severe burns.
 - Before working on the generator set, disconnect the negative (-) battery cable at the battery to prevent starting.
- Use caution when making adjustments while the generator set is running—hot, moving or electrically live parts can cause severe personal injury or death.
 - Used engine oil has been identified by some state and federal agencies as causing cancer or reproductive toxicity. Do not ingest, inhale, or contact used oil or its vapors.
 - Do not work on the generator set when mentally or physically fatigued or after consuming alcohol or drugs.
 - Carefully follow all applicable local, state and federal codes.

GENERATOR VOLTAGE IS DEADLY!

- Generator output connections must be made by a qualified electrician in accordance with applicable codes.
- The generator set must not be connected to the public utility or any other source of electrical power. Connection could lead to electrocution of utility workers, damage to equipment and fire. An approved switching device must be used to prevent interconnections.
- Use caution when working on live electrical equipment. Remove jewelry, make sure clothing and shoes are dry and stand on a dry wooden platform on the ground or floor.

FUEL IS FLAMMABLE AND EXPLOSIVE

- Keep flames, cigarettes, sparks, pilot lights, electrical arc-producing equipment and switches and all other sources of ignition well away from areas where fuel fumes are present and areas sharing ventilation.
- Fuel lines must be secured, free of leaks and separated or shielded from electrical wiring.
- Use approved non-conductive flexible fuel hose for fuel connections at the generator set.

ENGINE EXHAUST IS DEADLY!

- Learn the symptoms of carbon monoxide poisoning in this manual.
- Prior to every startup and after every eight hours of running, all carbon monoxide detectors must be tested and confirmed to be working in accordance with the manufacturer's instructions or owners manual.
- Never occupy in the vehicle while the generator set is running unless the vehicle has a working carbon monoxide detector.
- The exhaust system must be installed in accordance with the generator set Installation Manual.
- Do not use engine cooling air to heat the vehicle interior.
- Make sure there is ample fresh air when operating the generator set in a confined area.

MOVING PARTS CAN CAUSE SEVERE PERSONAL INJURY OR DEATH

- Do not wear loose clothing or jewelry near moving parts such as PTO shafts, fans, belts and pulleys.

- Keep hands away from moving parts.
- Keep guards in place over fans, belts, pulleys, etc.

BATTERY GAS IS EXPLOSIVE

- Wear safety glasses and do not smoke while servicing batteries.
- When disconnecting or reconnecting battery cables, always disconnect the negative (-) battery cable first and reconnect it last to reduce arcing.

DO NOT OPERATE IN FLAMMABLE AND EXPLOSIVE ENVIRONMENTS

Flammable vapor can cause a diesel engine to overspeed and become difficult to stop, resulting in possible fire, explosion, severe personal injury and death. ***Do not operate a diesel-powered generator set where a flammable vapor environment can be created by fuel spill, leak, etc., unless the generator set is equipped with an automatic safety device to block the air intake and stop the engine.*** The owners and operators of the generator set are solely responsible for operating the generator set safely. Contact your authorized Cummins dealer or distributor for more information.

Introduction

ABOUT THIS MANUAL

This manual covers operation and maintenance of the model HDKAL and HDKAS generator sets. Study this manual carefully and observe all of its instructions and precautions. Using the generator set properly and maintaining it regularly will promote longer generator set life, better performance, and safer operation. Each operator should become thoroughly familiar with this manual. Keep this manual in a convenient location for quick reference.

MODEL IDENTIFICATION

When you call for service or parts have the generator set model number and serial number ready (Figure 1). For ready reference, record these numbers in the boxes shown.

FUEL RECOMMENDATIONS

⚠️ WARNING Diesel fuel is combustible and can cause severe personal injury or death. Do not smoke near fuel tanks or fuel-burning equipment or in areas sharing ventilation with such equipment. Keep flames, sparks, pilot flames, electrical arcs and switches and all other sources of ignition well away. Keep a type ABC fire extinguisher handy.

Use clean, fresh No. 2 diesel fuel (ASTM 2-D) when the outdoor ambient temperature is above freezing, and No. 1 diesel fuel (ASTM 1-D) when below freezing. The fuel should have a Cetane number of at least 45 for reliable starting.

Note: Only low sulfur diesel or Ultra Low Sulfur Diesel (ULSD) fuel that meets the ASTM D975 or EN 590 standard for lubricity may be used with this engine. The 1 to 2 percent less energy content of the fuel can have a slight effect on maximum engine power.

Note: B5 Bio-Diesel fuel that meets industry specifications and quality is suitable for use with this engine.

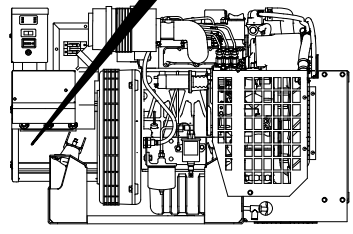
IMPORTANT ENGINE INFORMATION
CUMMINS POWER GENERATION
 1400 73rd Ave. NE
 Minneapolis, MN 55432
 Made in U.S.A.

Model No:		PH:
S/N:		kW:
AC Volts:	kVA:	RPM:
Amps:	Pf:	Bat:
Fuel:	Hz:	Wiring Diagram:
Options:		

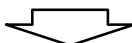
Insulation - NEMA Class F Ambient 40°C

THIS ENGINE MEETS 1995-1999 CALIFORNIA EMISSION REGULATIONS FOR ULGE ENGINES.

REFER TO OPERATOR'S MANUAL FOR MAINTENANCE SPECIFICATIONS AND ADJUSTMENTS. 99-2495 URC



RECORD MODEL AND SERIAL NUMBERS HERE



MODEL NUMBER
SERIAL NUMBER

FIGURE 1. TYPICAL NAMEPLATE

BIO-DIESEL FUELS B5 – B20

B5 bio-diesel fuel that meets industry specifications and quality is suitable for use with this generator set.

Bio-Diesel Above B5 and up to B20 Bio-Diesel Blends

The following must be verified before using bio-diesel blends up to B20:

- For model HDKAL, the generator set is at Spec G or higher.
- The vehicle propulsion engine is capable of using B20 when sharing the same fuel tank.
- The OEM has installed B20 compatible fuel line from fuel tank to generator set.
- The OEM has installed a water separator in the fuel line just before the generator set.

Approved Bio-Diesel Fuel:

- For bio-diesel blends above B5 and up to B20, Cummins requires that the fuel meet the specifications outlined in ASTM D7467.
- The bio-diesel component of this fuel blend must meet ASTM D6751 or EN14214 and the petroleum-diesel component must meet ASTM D975.
- Blended bio-diesels fuels should be bought pre-blended and not made by customers.

Bio-Diesel Properties:

- Bio-diesel has poor oxidation stability which can accelerate fuel oxidation. Fuel oxidation will reduce generator performance. This effect is accelerated at increased ambient temperatures.
- Bio-diesel properties change at low ambient temperatures (below 23°F/-5°C). Necessary precautions must be taken when operating the

generator with bio-diesel blends in low ambient temperatures, such as a fuel heater, hose insulation, or additional anti-gel fuel additives.

- Bio-diesel fuel blends are an excellent medium for microbial growth. Microbes cause fuel system corrosion and premature filter plugging. The effectiveness of all commercially available conventional anti-microbial additives, when used in bio-diesel, is not known. Consult your fuel and additive supplier for assistance.

⚠WARNING It is highly recommended that specific market applications are avoided or exercised with extra care due to some of the properties of bio-diesel fuel blends such as cold weather operation, long term storage, material incompatibilities and other effects on engine operating characteristics. Such applications that should use standard fuels include applications that will experience seasonal usage, storage for periods exceeding 90 days, and extreme temperatures or humidity.

Storage Requirements:

- If using bio-diesel for seasonal applications (stored more than 90 days), the generator must be purged before storage by running the engine on pure diesel fuel meeting ASTM D975 for a minimum of 30 minutes.

Warranty Coverage:

Cummins Warranty covers failures that are a direct result of defects in material or factory workmanship. Generator damage, service issues and/or performance issues determined by Cummins to be caused by bio-diesel fuel blends not meeting the specifications outlined in the applicable Installation, Operator, and Service Manuals are not considered to be defects in material or workmanship and may affect your generator's warranty.

ENGINE OIL RECOMMENDATIONS

Use premium quality motor oil. Look for the API (American Petroleum Institute) classification and use Class CF-4 or CF or better oil. Also look for the SAE (Society of Automotive Engineers) viscosity

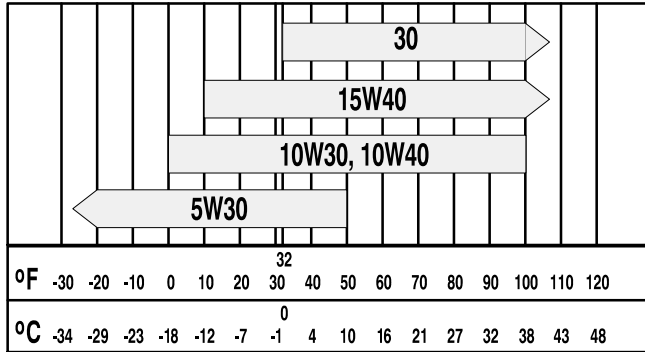


FIGURE 2. SAE VISCOSITY GRADE vs. AMBIENT TEMPERATURE

BATTERIES

The generator set requires a 12 volt battery to power its control and starting circuits. Reliable generator set starting and starter service life depend upon adequate battery system capacity and maintenance. See *Specifications* for battery requirements and *Periodic Maintenance* for battery care.

GENERATOR SET-MOUNTED CONTROL PANEL

Figure 3 illustrates the generator set control panel.

Start-Stop-Preheat Switch (S1): Starts the generator set when held at **Start** and stops the generator set when momentarily touched to **Stop**. Holding the switch at **Stop** causes the glow plugs to preheat the combustions chambers.

DC Control Breaker: Protects the control circuits from shorts to ground. Can be used as an emergency stop switch. *Reset with handle.*

Hour Meter: Indicates the number of hours the generator set has run. It cannot be reset.

Fault Reset Breaker: Trips and shuts down the generator set when there is a low oil pressure or high coolant temperature fault condition. *Reset by pushing in the red button.*

grade. Referring to Figure 2, choose the viscosity grade appropriate for the range of ambient temperatures expected before the next scheduled oil change. Multi-grade oils such as SAE 15W-40 are recommended for year-round use.

REMOTE CONTROL PANELS

Remote control panels with a control switch and engine gauges are available.

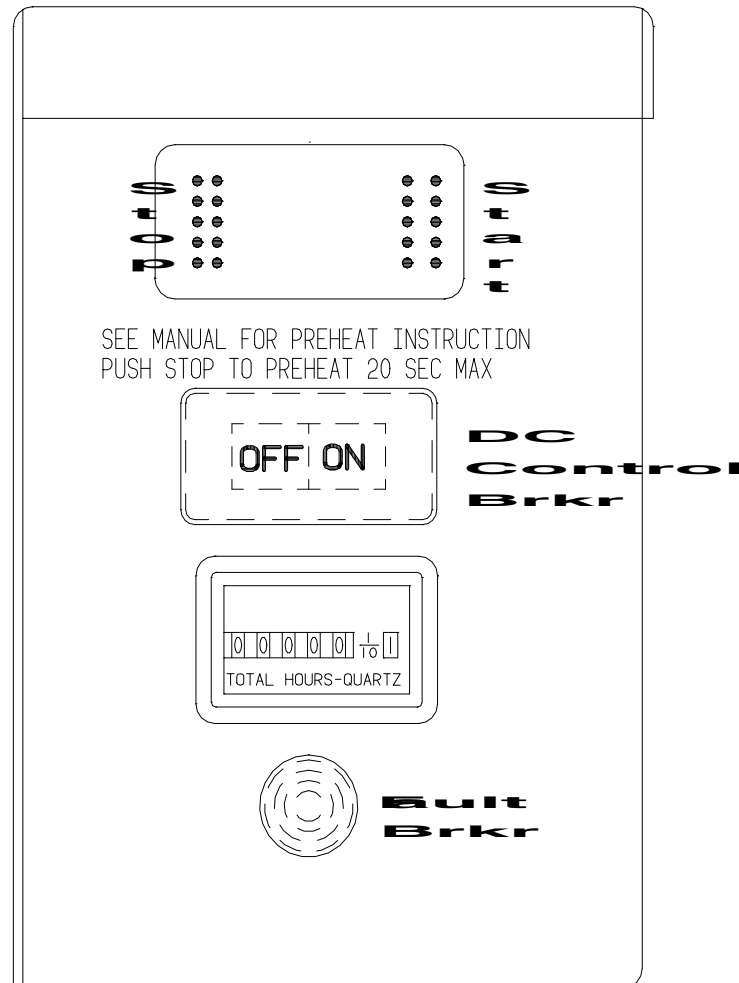


FIGURE 3. GENERATOR SET CONTROL PANEL

THIS PAGE IS INTENDED TO BE BLANK

Operation

⚠WARNING

EXHAUST GAS IS DEADLY!

Engine exhaust contains carbon monoxide, a poisonous, odorless and colorless gas that can cause unconsciousness and death. Symptoms of carbon monoxide poisoning include:

- **Dizziness**
- **Throbbing in Temples**
- **Nausea**
- **Muscular Twitching**
- **Headache**
- **Vomiting**
- **Weakness**
- **Trouble Thinking Clearly**
- **Sleepiness**

GET EVERYONE OUT INTO FRESH AIR IMMEDIATELY IF ANYONE EXPERIENCES ANY OF THESE SYMPTOMS. Seek medical attention if symptoms persist.

Never occupy in the vehicle when the generator set is running unless the vehicle has an operating carbon monoxide detector.

Look and listen for leaks along the entire run of the exhaust system every time you start up the generator set and every eight hours if the generator set is being run continuously. Shut down the generator set immediately if there is a leak and do not run it until the leak has been repaired.

The installation of the exhaust system must be in accordance with the generator set Installation Manual.

PRE-START CHECKS

Perform General Inspection (p. 13). **Check for fuel, exhaust, oil and coolant leaks every eight hours if the generator set is being run continuously.**

Check the *Maintenance Record* and perform any maintenance due (*Periodic Maintenance Schedule*). Also see GENERATOR SET BREAK-IN if the generator set is new and RETURNING THE GENERATOR SET TO SERVICE if the vehicle has been in storage.

STARTING

Disconnect all loads from the generator set.

Preheat – Hold the control switch in the **PREHEAT** position for the following number of seconds depending on ambient temperature:

- 10 seconds—above 50°F (10°C)**
- 15 seconds—0°F to 50°F (-17°C to 10°C)**
- 20 seconds—below 0°F (-17°C)**

⚠CAUTION **Preheat times longer than 20 seconds can damage the glow plugs.**

Start – Immediately after **PREHEAT** push the control switch to **START** and hold it there until the engine starts. The starter will automatically disconnect as the engine starts up.

Do not crank for more than 15 seconds at a time. Wait two minutes before trying again. See *Troubleshooting* if the engine does not start on the second try.

⚠CAUTION **Excessive cranking can overheat and damage the starter. Do not crank for more than 15 seconds at a time and wait two minutes before trying again.**

Connect the electrical loads after the generator set has warmed up for a few minutes.

Check for fuel, exhaust, oil and coolant leaks and complete General Inspection (p. 13). Check the engine gauges regularly (if provided) while the generator set is running.

Oil Pressure Gauge: Normal engine oil pressure is 28 – 64 psi (194 – 442 kPa) at normal operating temperature.

DC Voltmeter: Normal DC system voltage is 12.5 – 15 volts depending on battery condition and state-of-charge.

Coolant Temperature Gauge: Normal engine coolant temperature is 160 – 195°F (71 – 91°C) depending on load and ambient temperature.

STOPPING

Before stopping let the generator set cool down by running at no-load for three to five minutes. Then touch the control switch momentarily to **STOP**.

CAUTION *Failure to let the engine cool down before stopping can lead to engine damage. Let the generator set run three to five minutes at no-load before stopping.*

POWERING APPLIANCES

The generator set can power AC motors, air conditioners, AC/DC converters and other appliances. How much appliance load* can be serviced depends upon the generator set power rating. The generator set will shut down or its circuit breakers will trip if the sum of the loads exceeds generator set rating.

To avoid overloading the generator set and causing shutdowns, compare the sum of the loads of the appliances that are likely to be used at the same time to the power rating of the generator set. Use Table 1 or the ratings on the appliances themselves (if so marked) to obtain the individual appliance loads. ***It may be necessary to run fewer appliances at the same time so that the sum of the loads is not greater than generator set rating.***

Note that the generator set may shut down due to overload, even though the sum of the loads is less than generator set rating, when a large motor or air conditioner is started last or cycles off and then on again. The reason for this is that motor startup load is much larger than running load. ***It may be necessary to run fewer appliances when large motors and air conditioners are cycling on and off.***

Note that air density decreases as altitude increases, decreasing engine power. Power decreases approximately 3 percent of rated power every 1000 feet (305 m) that elevation increases above sea level. See Table 2 for typical calculations. ***It may be necessary to operate fewer appliances at higher altitudes.***

TABLE 1. TYPICAL APPLIANCE LOADS

Appliance	Load (watt)
Air Conditioner	1400-2000
Battery Charger	Up to 800
DC Converter	300-1500
Refrigerator	600-1000
Microwave Oven	1000-1500
Electric Frying Pan/Wok	1000-1500
Electric Stove Element	350-1000
Electric Water Heater	1000-1500
Electric Iron	500-1200
Electric Hair Dryer	800-1500
Coffee Percolator	550-750
Television	200-600
Radio	50-200
Electric Drill	250-750
Electric Broom	200-500
Electric Blanket	50-200

TABLE 2. MAXIMUM POWER VS. ALTITUDE

Elevation above Sea Level	Maximum Power
at/below 500 ft (152 m)	7500 W (rated)
at 2500 ft (762 m)	7050 W
at 5500 ft (1676 m)	6375 W
above 5500 ft (1676 m)	6375 W minus 225 W every 1000 ft (305 m)

* Appliance load and generator set power are measured in terms of watt (W) or kilowatt (kW), where 1 kilowatt (kW) = 1000 watt (W).

CONNECTIONS TO UTILITY POWER

A vehicle that has provisions for connection to utility power must be equipped with an approved transfer switch to keep the generator set and utility power from being interconnected.

⚠️WARNING *Backfeed to utility power can cause electrocution and damage to equipment. Use an approved device to prevent the generator set from being interconnected with utility power.*

RESETTING LINE CIRCUIT BREAKERS

If a circuit breaker in the main power distribution panel in the vehicle or on the generator set (Figure 4) trips, there is either a short circuit or too much load. Note that the generator set will continue to run after a circuit breaker trips.

If a circuit breaker trips, disconnect or turn off as many appliances as possible and reset the circuit breaker. (Push the circuit breaker **OFF** to reset it and then **ON** to reconnect the circuit.) If the circuit breaker trips right away, either the electrical distribution system has a short or the circuit breaker is faulty. Call a qualified electrician.

If the circuit breaker does not trip, reconnect a combination of appliances that does not overload the generator set or cause the circuit breaker to trip. An appliance that causes a circuit breaker to trip right away probably has a short.

Electrical appliances must be properly grounded and in good working condition.

⚠️WARNING *Electrical shock can cause severe personal injury or death. Read and follow the appliance manufacturer's instructions and warnings.*

ENGINE BREAK-IN

Change the oil and oil filter after the first 50 hours of operation. See *Maintenance Procedures*.

NO-LOAD OPERATION

Keep no-load operation to a minimum. During no-load operation combustion chamber temperatures drop to the point where fuel does not burn completely, causing slobbering and white smoke. Always have some load connected when the generator set is run for long periods.

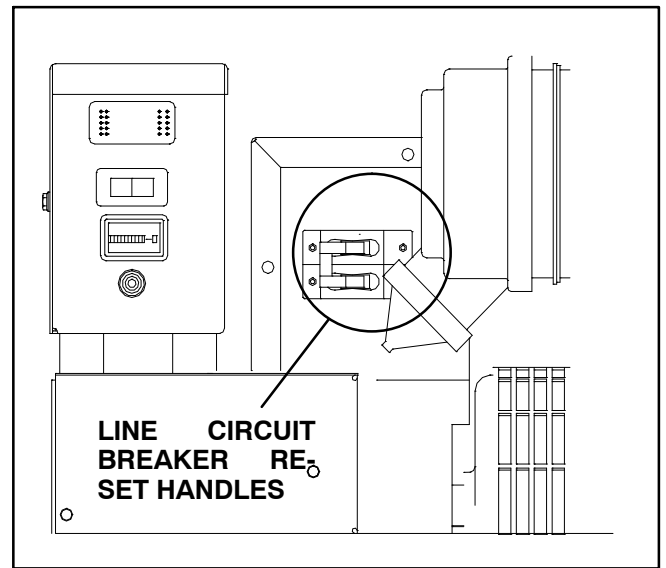


FIGURE 4. GENERATOR SET MOUNTED LINE CIRCUIT BREAKERS

GENERATOR SET EXERCISE

If use is infrequent, run the generator set at approximately 1/2 rated power for an hour every week. Exercising the generator set results in better starting, longer engine life and increased generator set reliability by driving off moisture, re-lubricating the engine, using up fuel before it becomes stale and removing oxides from electrical contacts. One longer period during which the engine and generator warm up thoroughly is better than several shorter periods.

GENERATOR SET STORAGE

If the generator set will be inactive for more than 30 days and it is impractical to have someone exercise it, prepare it for storage as follows:

Run the generator set until it has thoroughly warmed up and shut it down.

⚠WARNING *Crankcase pressure can blow out hot oil and cause severe burns. Stop the engine before checking the oil level or opening the fill cap.*

Change the oil and oil filter while still warm and attach a tag to the dip stick indicating the oil viscosity grade. See CHANGING OIL AND OIL FILTER in *Maintenance Procedures*.

⚠WARNING *Arcing at battery terminals or in a light switch or other equipment, flames and sparks can ignite battery gas causing severe personal injury. Ventilate the battery compartment before connecting or disconnecting battery cables—Disconnect the neg-*

ative (-) cable first and reconnect it last—Wear safety glasses—Do not smoke—Switch lights ON and Off away from the battery.

Disconnect the battery cables (negative [-] cables first) and store the battery(ies) in accordance with the manufacturer's recommendations.

⚠WARNING *Hot coolant is under pressure and can cause severe burns when loosening the pressure cap. Let the engine cool before loosening the pressure cap.*

Check the coolant level and add coolant as necessary. Test the coolant mixture if freezing temperatures are possible and change if necessary. See ENGINE COOLING SYSTEM in *Maintenance Procedures*.

Clean the generator set and lightly oil parts that can rust.

RETURNING GENERATOR SET TO SERVICE

Check the tag on the dipstick and change the oil if the viscosity is not suitable for present and anticipated ambient temperatures.

Reconnect the battery(ies) (negative [-] cables last) and service as necessary in accordance with the manufacturer's instructions.

Prime the fuel system (p. 21).

Perform PRE-START CHECKS and start and run the generator set according to STARTING. Perform maintenance or service as required before placing the generator set in service.

Periodic Maintenance Schedule

Periodic maintenance is essential for top generator set performance and long service life. Use Table 3 as a guide, follow *Maintenance Procedures* and record maintenance performed in *Maintenance Record*.

⚠WARNING *Accidental starting can cause severe personal injury or death. Disconnect the negative (-) cable(s) at the battery(ies) to prevent starting while working on the generator set.*

TABLE 3. PERIODIC MAINTENANCE SCHEDULE

PROCEDURE	FREQUENCY								P g
	After first 50 Hrs	Every Day/ 8 Hrs	Every 50 Hrs	Every Month/ 100 Hrs	Every 6 Month/ 250 Hrs	Every Year/ 500 Hrs	Every 2 Years	Every 5 years	
Inspect generator set		x ¹							13
Check Oil Level		x							13
Check Coolant Level		x							13
Check Fuel Level		x							13
Clean Air Cleaner Dust Boot			x ⁵						17
Check Battery				x ²					16
Check V-Belt Tension				x ³					18
Drain Water in Fuel				x ⁴					20
Change Engine Oil and Oil Filter	x			x ⁵					15
Change Fuel Filter					x ⁷				20
Change Air Cleaner Element						x ⁵			17
Change Coolant						x			18
Adjust Valve Lash						x ⁶			-
Replace Pressure Cap							x		18
Replace Generator Bearing								x ⁶	-

- 1 – Check for oil, fuel, coolant and exhaust system leaks.
- 2 – See battery manufacturer's recommendations.
- 3 – Check for slippage.
- 4 – Drain about one cup to remove water and sediment.
- 5 – Perform more often in dusty conditions.
- 6 – Must be performed by an authorized Cummins dealer.
- 7 – Perform every 250 hours when using B20 Bio-diesel fuel.

THIS PAGE IS INTENDED TO BE BLANK

Maintenance Procedures

GENERAL INSPECTION

Perform these checks and inspections every time the generator set is started or every eight hours if the generator set is being run continuously.

Oil Level Check

⚠️ WARNING *Crankcase pressure can blow out hot oil and cause severe burns. Stop the engine before checking the oil level or opening the fill cap.*

Shut down the generator set to check engine oil level and wait a few minutes for the oil to drain down to the crankcase to get an accurate indication of oil level.

Keep the oil level between FULL and ADD on the dipstick (Figure 5). See ENGINE OIL RECOMMENDATIONS (page 5) for the oil to use.

⚠️ CAUTION *Too little oil can lead to severe engine damage and too much oil to high oil consumption and foaming, which can cause engine shutdown. Keep the oil level between FULL and ADD.*

Coolant Level Check

Replenish the normal loss of coolant by keeping the level in the coolant recovery tank between COLD and HOT. See COOLING SYSTEM (page 18) for the recommended mixture of antifreeze and if it is necessary to refill the system.

Exhaust Leaks

Look and listen for exhaust system leaks while the generator set is running. Shut down the generator set if a leak is found and have it repaired before operating the generator set.

Look for openings or holes between the generator set compartment and vehicle cab or living space if the generator set engine sounds louder than usual. Have all such openings or holes closed off or sealed to prevent exhaust gases from entering the vehicle.

Replace dented, bent or severely rusted sections of the tailpipe and make sure the tailpipe extends at least 1 inch (25.4 mm) beyond the perimeter of the vehicle.

Park the vehicle so that the generator set exhaust gases can disperse away from the vehicle. Barriers such as walls, snow banks, high grass, brush and other vehicles can cause exhaust gases to accumulate in and around the vehicle.

To avoid drawing exhaust gases into the vehicle, do not turn on power ventilators or exhaust fans when the generator set is running and the vehicle is standing still.

⚠️ WARNING *EXHAUST GAS IS DEADLY! Do not operate the generator set if there is an exhaust leak or any danger of exhaust gases entering or being drawn into the vehicle.*

⚠️ WARNING *Do not park the vehicle in high grass or brush. Contact with the exhaust system can cause a fire.*

Fuel System Inspection

Check for leaks at all fuel line fittings and gaskets. Replace fuel hose that has been abraded or cut and install new hose in such a way that it will not become kinked, rub against other parts or come in contact with sharp edges, hot surfaces or wiring.

⚠️ WARNING *Fuel leaks can lead to fire. Repair leaks immediately. Do not run the generator set if it causes fuel to leak.*

Prime the fuel system if the generator set ran out of fuel or a fuel filter was replaced. See FUEL SYSTEM (page 20).

Battery Inspection

Check for clean, tight battery connections. Loose and corroded connections make for hard starting because of high electrical resistance. See BATTERIES (page 16).

⚠️WARNING *Arcing at battery terminals or in a light switch or other equipment, flames and sparks can ignite battery gas causing severe personal injury. Ventilate the battery compartment before connecting or disconnecting battery cables—Disconnect the negative (-) cable first and reconnect it last—Wear safety glasses—Do not smoke—Switch lights ON and Off away from the battery.*

Mechanical Inspection

Check for unusual noises and vibrations, loose generator set mounts and signs of mechanical damage. Check the engine gauges regularly (if provided) while the generator set is running. See *Operation* for normal gauge readings.

Keep the generator set clean. Do not clean the generator set while it is running. Protect the generator, control panel, and electrical connections from cleaning solvents. Remove the generator endbell cover and use compressed air to blow dust out of the generator and radiator core.

⚠️WARNING *Wear safety glasses when using compressed air to prevent eye injury.*

CHANGING OIL AND OIL FILTER

⚠️WARNING *State and federal agencies have determined that contact with used engine oil can cause cancer or reproductive toxicity. Take care to limit skin contact and breathing of vapors. Use protective gloves and wash exposed skin.*

See Table 3 for frequency of maintenance.

⚠️WARNING *Crankcase pressure can blow out hot oil and cause severe burns. Stop the engine before checking the oil level or opening the fill cap.*

Draining Engine Oil: To drain the engine oil, run the engine until thoroughly warm and stop it. Open either the side or bottom service access door to get at the oil drain valve and oil filter (Figure 5). Drain the oil into a suitable container and **close the valve when the oil has completely drained.**

Changing Oil Filter: To change the oil filter, place a container under the oil filter (Figure 5) to catch oil that drips out and then spin off the oil filter. Clean the filter mounting surface (making sure to remove the old gasket), apply oil to the new filter gasket and spin the filter on until the gasket just touches the mounting pad. Then tighten an additional 3/4 turn.

Refilling Engine Oil: See ENGINE OIL RECOMMENDATIONS (page 5) for the oil to use and *Specifications* for the amount. Refill with the proper amount of oil, start the engine and check for leakage around the filter gasket. **Tighten the filter only enough to stop leakage.** Shut off the generator set, recheck the oil level and add oil as necessary. Secure the access door.

⚠️CAUTION *Too little oil can lead to severe engine damage and too much oil to high oil consumption and foaming, which can cause engine shutdown. Keep the oil level between FULL and ADD.*

Disposing of Used Oil and Oil Filter: Dispose of the used oil and oil filter according to local environmental regulations.

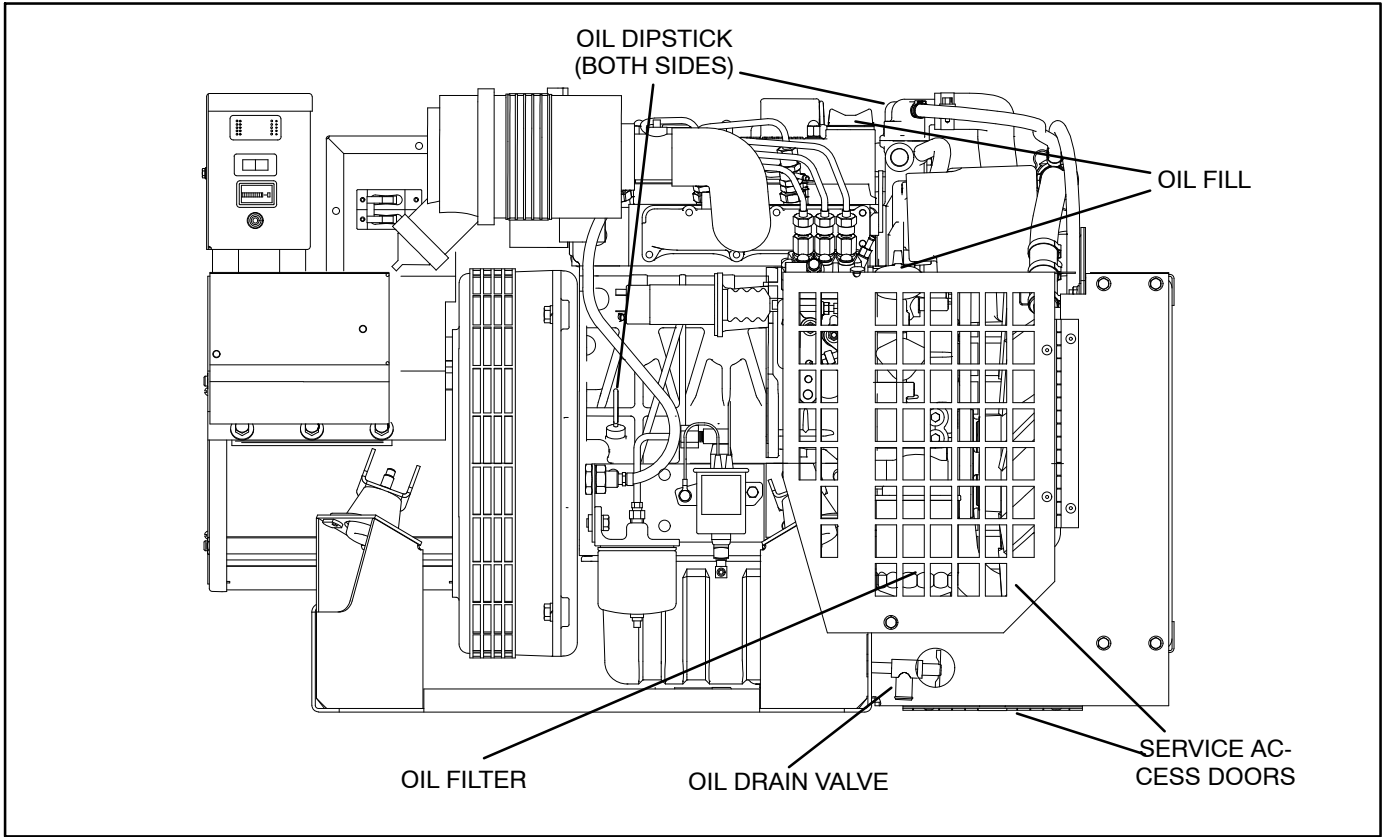


FIGURE 5. OIL CHECK, FILL, DRAIN AND FILTER

AIR CLEANER MAINTENANCE

See Table 3 for frequency of maintenance. The air cleaner element must be handled carefully and must never have oil applied to it. Before changing the filter element, squeeze the dust boot to release any trapped dust. Install the new filter element as follows:

1. Unclip the cover (Figure 6) and pull the filter element out gently to reduce the amount of dust dislodged. Gently twist or move the element side to side to disengage the seal and pull it out.
2. Clean the sealing surface and inside of the outlet tube to keep dust and dirt from entering the engine.
3. Examine the old filter element for dust on the clean-air side of the element. This could indicate leakage on the sealing surface. Correct as necessary.
4. Inspect the new element for damage. *Do not install a damaged element.* Insert the new element into the housing, applying pressure at the outer rim of the element and not on its flexible center, and secure the cover.

SPARK ARRESTER CLEANING

It may be necessary to clean out the spark arrester if the generator set is experiencing low power. Park the vehicle away from grass, brush or debris that could be ignited by sparks expelled during this procedure. The spark arrester meets U.S. Forest Service requirements. To clean the spark arrester, remove the 1/8 inch pipe plug in the bottom of the muffler and run the generator set for five minutes at full load. Replace the plug when the muffler has cooled down. See Figure 7.

BATTERIES

See Table 3 for frequency of maintenance. Sealed, maintenance-free batteries are recommended. Follow the manufacturer's instructions for battery care. Keep the terminals clean and tight.

⚠WARNING *Arcing at battery terminals or in a light switch or other equipment, flames and sparks can ignite battery gas causing severe personal injury. Ventilate the battery compartment before connecting or disconnecting battery cables—Disconnect the negative (-) cable first and reconnect it last—Wear safety glasses—Do not smoke—Switch lights ON and Off away from the battery.*

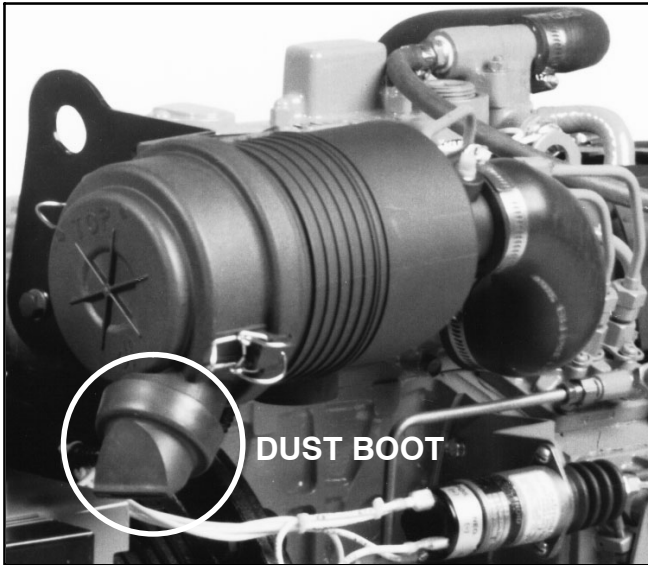


FIGURE 6. AIR CLEANER ASSEMBLY

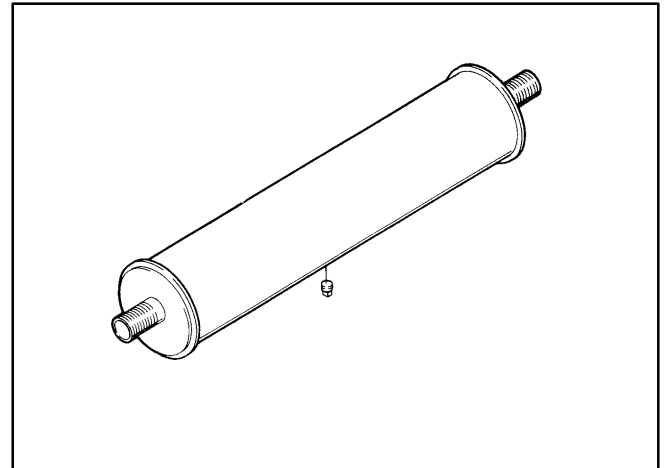


FIGURE 7. SPARK ARRESTER WITH CLEANOUT PLUG

ENGINE COOLING SYSTEM

See Table 3 for frequency of maintenance.

Cooling System Overview

The engine is cooled by a pressurized, closed-loop liquid cooling system. Coolant is pumped through passages in the engine block and head and is cooled in a generator set-mounted radiator. The radiator fan is arranged to either pull or push air through the radiator.

Recommended Coolant Mixture

Use the best quality ethylene or propylene glycol antifreeze solution available. It should be fully formulated with rust inhibitors and coolant stabilizers **but not with stop-leak additives**. Use fresh water that is low in minerals and corrosive chemicals. Distilled water is best. Unless prohibited by shipping regulations, generator sets are shipped with the recommended 50/50 mixture of water and ethylene glycol, which is good for -34°F (-37°C).

Adjusting V-Belt Tension

See Table 3 for frequency of maintenance. The V-belt (Figure 8) drives the coolant pump and battery charging alternator. (The radiator fan is mounted on the crankshaft pulley and therefore is not driven by the belt.)

⚠WARNING *Accidental starting can cause severe personal injury or death. Disconnect the negative (-) cable(s) at the battery(ies) to prevent the engine from starting.*

Disconnect the negative (-) cable(s) at the battery(ies) to prevent the engine from starting and remove the top belt guard.

Loosen the alternator pivot bolt first and then the adjusting bracket bolt on top.

Tighten belt tension by pivoting the alternator outwards. Hold tension by tightening the adjusting bracket bolt. Apply 20 pounds (10 kg) as shown to the middle of the pulley span and measure belt deflection, which should be 0.4 inch (10 mm). Tighten the alternator bolts when tension is correct.

Secure the belt guard and reconnect the battery cables (negative [-] last).

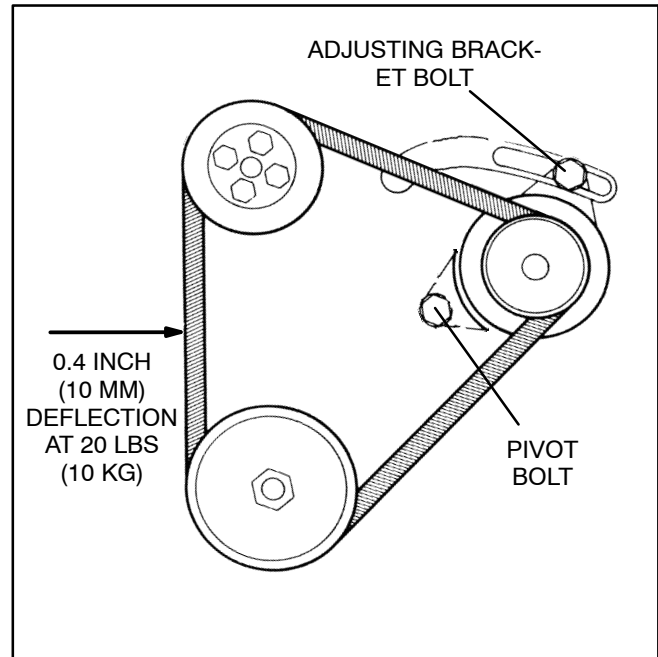


FIGURE 8. ADJUSTING V-BELT TENSION

Pressure Cap

See Table 3 for frequency of replacement. Replace the pressure cap as recommended to maintain optimal engine cooling and minimal coolant loss.

Coolant Recovery Tank

Replenish the normal loss of coolant by keeping the level in the recovery tank between COLD and HOT. Use the recommended mixture of antifreeze. See Changing Coolant if it is necessary to fill the system.

Changing Coolant

⚠️ WARNING *Hot coolant is under pressure and can cause severe burns when loosening the pressure cap. Let the engine cool before loosening the pressure cap.*

⚠️ WARNING *Accidental starting can cause severe personal injury or death. Disconnect the negative (-) cable(s) from the battery(ies) to prevent the engine from starting.*

Draining the System: Let the engine cool down, disconnect the negative (-) cable(s) at the battery(ies) to prevent the engine from starting, remove the sys-

tem pressure cap and open the block and radiator drain valves (Figure 9). Collect used coolant in containers for proper disposal.

⚠️ WARNING *Ethylene glycol antifreeze is considered toxic. Dispose of it according to local regulations for hazardous substances.*

Cleaning and Flushing the System: Use radiator cleaning chemicals to clean and flush the cooling system before new coolant is added. Follow the manufacturer's instructions.

⚠️ CAUTION *Filling a hot engine with cold water can cause cracks in the manifold, head and block. Follow the manufacturer's instructions for cleaning and flushing.*

Filling the System: Close all drain valves and secure all hose clamps and fill the system through the fill opening, holding the fill hose vertical. The system will fill only as fast as the air can escape. Start and run the engine for a minute to dislodge air pockets and shut it down. Add as much coolant as necessary to fill up the tube and secure the pressure cap.

⚠️ CAUTION *Low coolant level can cause severe engine damage. Make sure the system is full.*

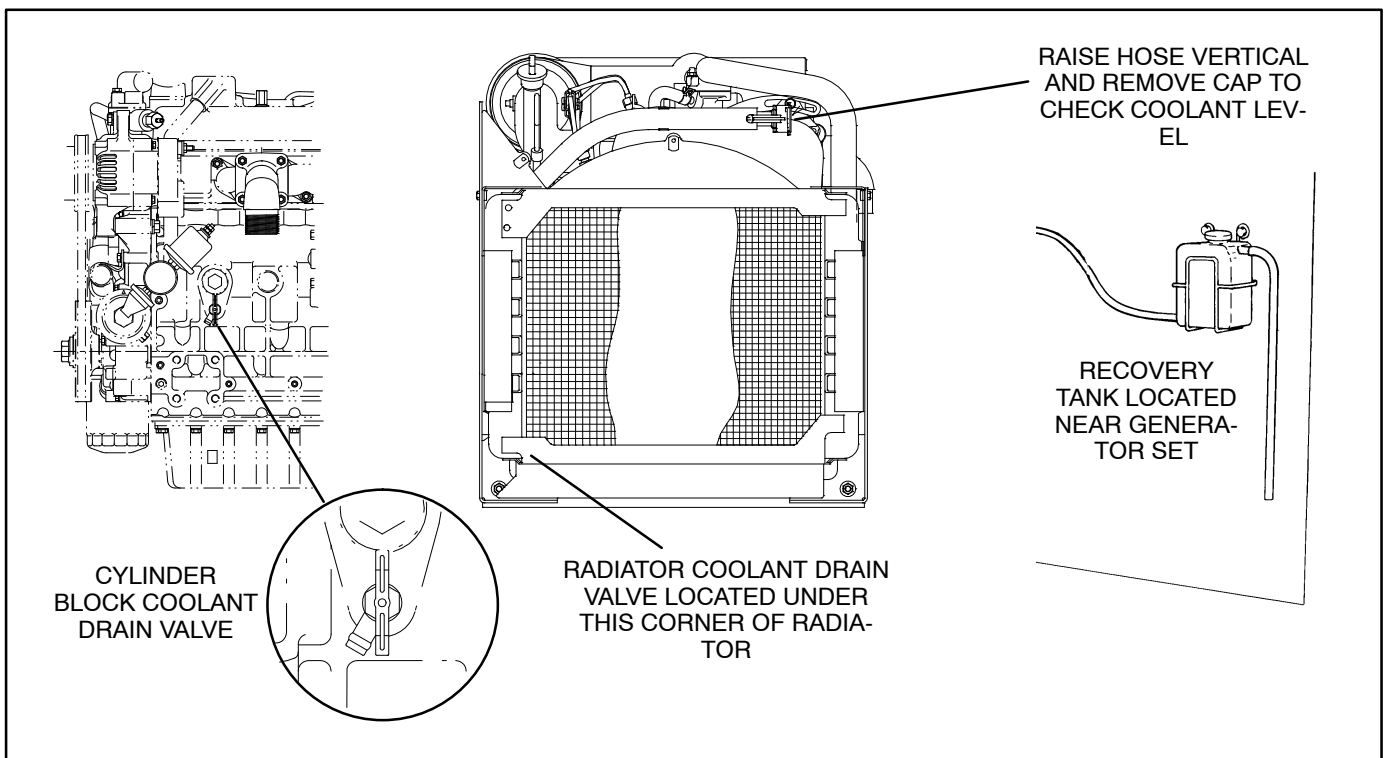


FIGURE 9. COOLING SYSTEM

FUEL SYSTEM

Fuel Handling Precautions

Keep dirt, water and other contaminants from entering the fuel system and damaging, corroding or clogging fuel injection components. The generator set has a water-separator type of fuel filter.

A primary source of water in fuel, which can clog fuel passages by freezing and cause corrosion by forming sulfuric acid with the sulfur in the fuel, is the condensation of humid air on the walls of the fuel tank. Keeping fuel tanks as full as possible reduces condensation by reducing the area on which condensation can take place.

Fuel Filter

Draining Water and Sediment: See Table 3 for frequency of maintenance. Drain more often if fuel quality is poor or condensation cannot be avoided. To

drain the filter, remove the plug (Figure 10), collect the water and sediment (about 1/2 cup [120 ml]) in a suitable container and dispose of properly. **Reinstall the plug securely.**

Replacing the Filter Element: See Table 3 for frequency of maintenance. Replace the filter sooner if the engine lacks power or surges.

Drain the filter as explained above and spin off the element.

Clean the contact surface of the base.

Lubricate the new element and its gasket, and fill the element with clean diesel fuel.

Spin the new element onto the base and hand tighten.

Start and run the generator set and check for fuel leakage. Tighten the filter only enough to stop leakage. See Priming the Fuel System if the generator set does not start.

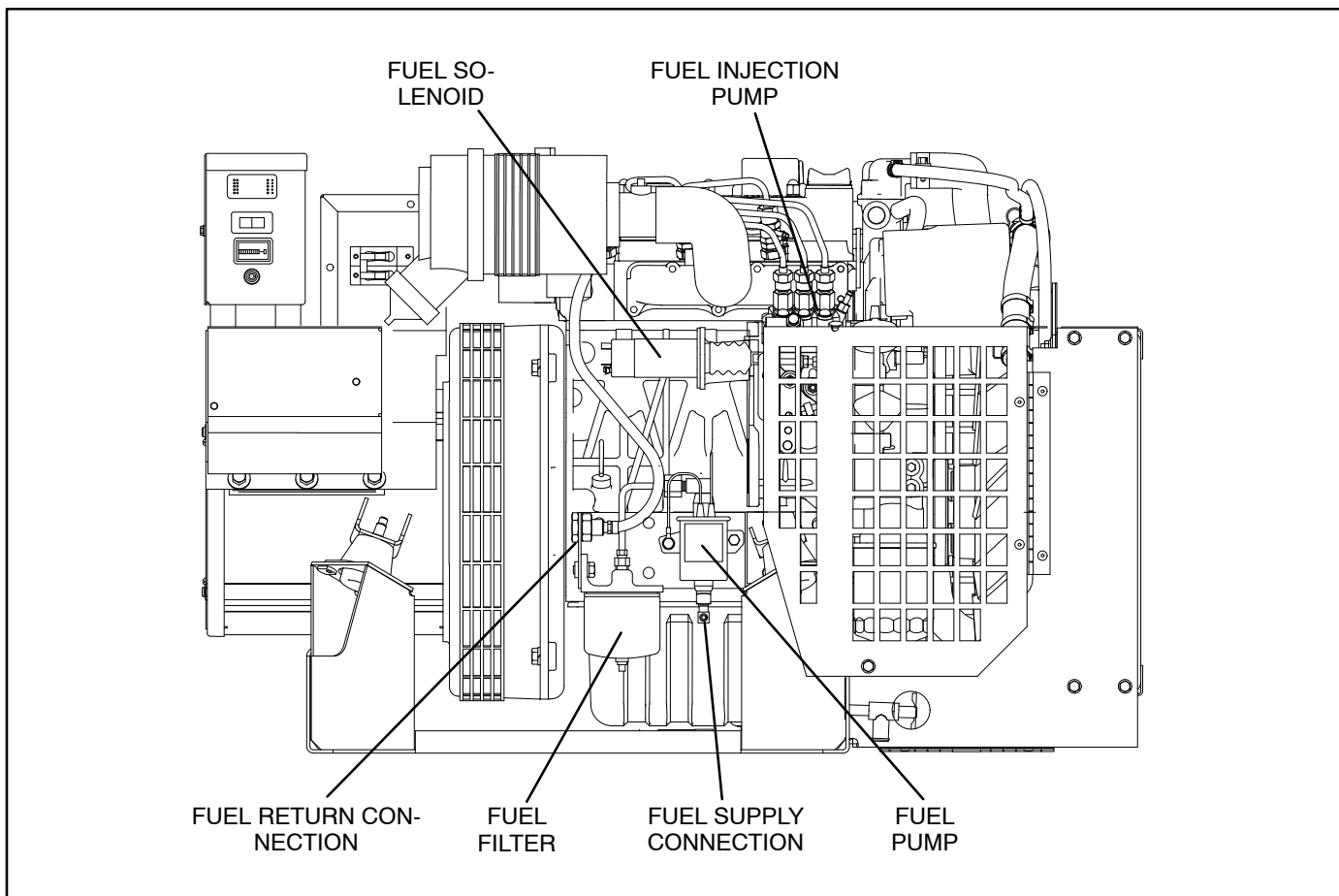


FIGURE 10. FUEL SYSTEM

Priming the Fuel System

Priming the Low-Pressure Side: The fuel lift pump is usually able to prime the low-pressure side during cranking. If the engine does not start after two tries (15 second crankings with a two minute rest between crankings), jumper the fuel lift pump directly to the 12 VDC cranking battery and let the pump run for a few minutes to make sure the fuel lines, fuel filter and injection pump have been purged of all air. (The air and fuel are returned to the fuel tank. There are no bleed screws to open.)

Note: If the generator set has been mounted at an elevated location on the vehicle, the vehicle manufacturer probably has provided an auxiliary fuel pump and solenoid shutoff valve which must also be energized during priming. Check with the vehicle manufacturer if it is not clear as to how the auxiliary pump and solenoid should be energized.

Priming the High-Pressure Side: This procedure should only be performed by a diesel mechanic.

⚠WARNING *The high pressure oil spray from an injector line fitting can penetrate the skin, leading to possible blood poisoning. Wear safety glasses and keep your hands away from the spray. Do not delay getting proper medical attention if oil spray penetrates your skin.*

Loosen the high pressure fittings at the nozzles. Use two wrenches to keep from twisting the return fittings. Use flare-nut wrenches to keep from rounding the shoulders.

Crank the generator set until fuel appears at the loosened fittings and then snug up each fitting. The engine should start and run when the first fitting is snugged.

Shut down the engine and torque the fittings to 19 – 25 lb-ft (25 – 34 N-m).

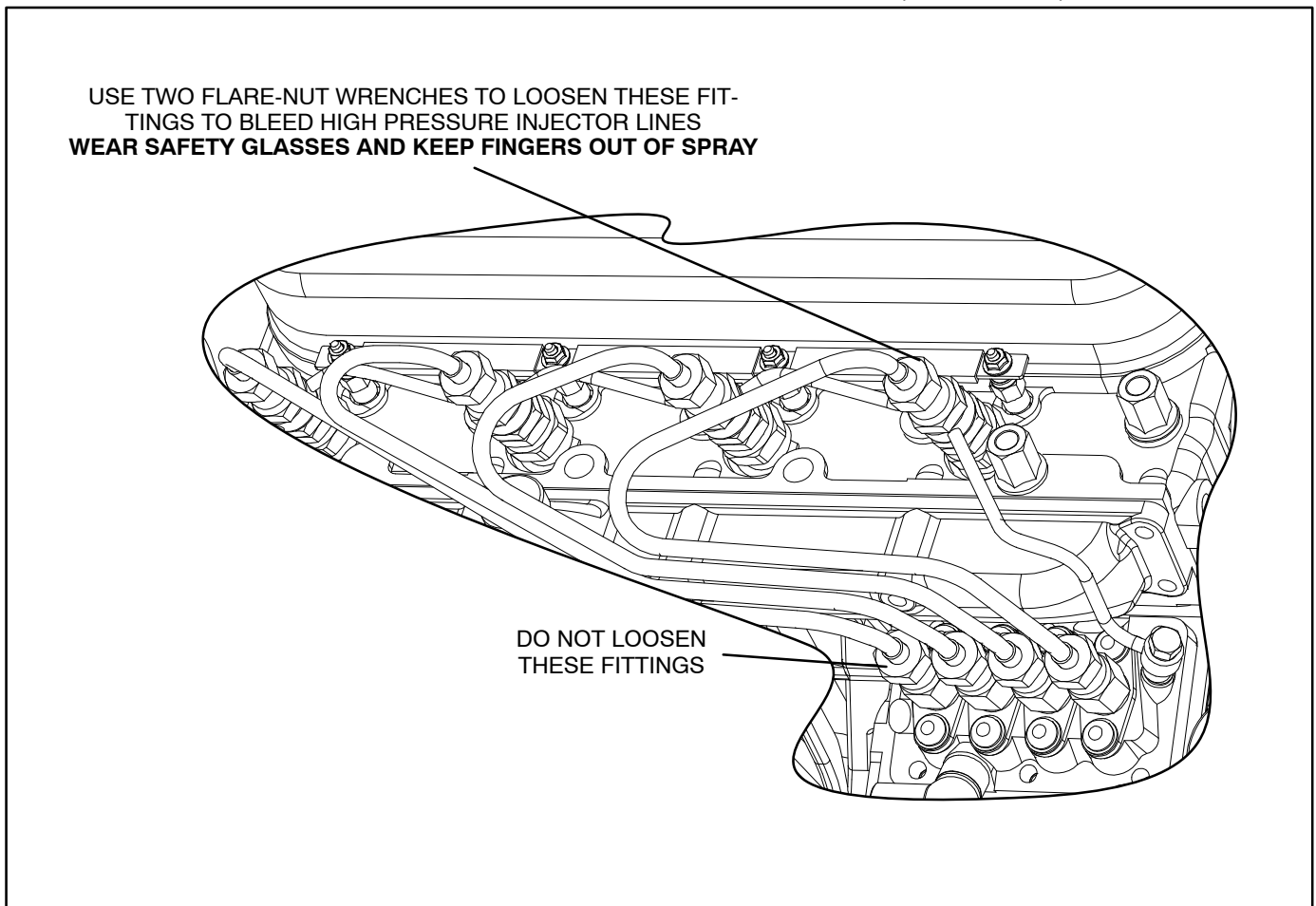


FIGURE 11. PRIMING THE HIGH-PRESSURE FUEL INJECTION SYSTEM

THIS PAGE IS INTENDED TO BE BLANK

Troubleshooting

The following troubleshooting tables are designed to help you think through generator set problems. The problem could be as simple as an empty fuel tank, closed fuel shutoff valve or tripped circuit breaker. If you fail to resolve the problem after taking the corrective actions suggested, see *How to Obtain Service*.

Troubleshooting time can be saved if abnormal engine gauge readings were noted before shutdown; that is, whether shutdown was due to low oil pressure or to high engine temperature. Note that shutdown occurs when oil pressure falls below 14 psi (97 kPa) or engine temperature reaches 222°F (106°C).

FAULT CODE BLINKING

At fault shutdown, the status indicator light will repeatedly blink sets of 1, 2, 3 or 4 blinks.

- **One blink** indicates shutdown due to high engine coolant temperature.
- **Two blinks** indicate shutdown due to a loss of engine oil pressure.
- **Three blinks** indicate a service fault. Press **Stop** once to cause the two-digit, second-level shutdown code to blink. (Pressing **Stop** again will stop the blinking.) The two-digit code con-

sists of 1, 2, 3, 4 or 5 blinks, a brief pause, and then 1 to 9 blinks. The first set of blinks represents the tens digit and the second set of blinks the units digit of the shutdown code number. For example, **shutdown code No. 36** appears as:

blink-blink-blink—*pause*—blink-blink-blink-blink-blink-blink—*long pause*—repeat

- **Four blinks** indicate that cranking time exceeded 35 seconds.
- *Fault Code Nos. 1, 2, 3, and 4 are first level faults. Pay close attention to the pause sequence to avoid interpreting first level faults as second-level Fault Codes Nos. 11, 22, 33, or 44.*
- *To avoid the possibility of anyone misinterpreting Code Nos. 3 and 4 as Code Nos. 33 and 44, the latter have not been assigned faults.*

RESTORING FAULT CODE BLINKING

The fault code stops blinking after five minutes. Press **Stop** three times within three seconds to restore fault code blinking.

Note: The last fault logged will blink even though the condition that caused the shutdown may have been corrected.

ENGINE DOES NOT CRANK	
<p>⚠ WARNING <i>There are hazards present in troubleshooting that can cause equipment damage, severe personal injury or death. Troubleshooting must be performed by qualified persons who know about the hazards of fuel, electricity and machinery. Read Safety Precautions and observe all instructions and precautions in this manual.</i></p>	
Possible Cause	Corrective Action
Faulty remote circuit	Try starting at the generator set control panel. If the generator set starts, have the remote circuit repaired as necessary.
Fault shutdown	Perform maintenance or have service performed as necessary to clear the fault condition. Push the red button on the fault reset breaker on the generator set-mounted control panel to reset the control panel.

ENGINE DOES NOT CRANK

⚠ WARNING

There are hazards present in troubleshooting that can cause equipment damage, severe personal injury or death. Troubleshooting must be performed by qualified persons who know about the hazards of fuel, electricity and machinery. Read Safety Precautions and observe all instructions and precautions in this manual.

Possible Cause	Corrective Action
Tripped DC control breaker	Reset the control breaker handle. Have the generator set serviced if it keeps tripping.
Low cranking voltage	<ol style="list-style-type: none"> 1. Clean and tighten or replace the positive (+) and negative (-) battery cable connectors and cables at the battery and the generator set. <ol style="list-style-type: none"> a. Recharge or replace the battery. Specific gravity for a fully charged battery is approximately 1.260 at 80°F (27°C).

ENGINE CRANKS BUT DOES NOT START

⚠ WARNING

There are hazards present in troubleshooting that can cause equipment damage, severe personal injury or death. Troubleshooting must be performed by qualified persons who know about the hazards of fuel, electricity and machinery. Read Safety Precautions and observe all instructions and precautions in this manual.

Possible Cause	Corrective Action
Engine not getting fuel	<ol style="list-style-type: none"> 1. Open any closed shutoff valve. <ol style="list-style-type: none"> a. Check fuel level and refill as necessary. b. Prime the fuel system (p.11). c. Check for fuel (air) leaks at all fittings and tighten as necessary. d. Replace the fuel filter (p. 20).
Low engine temperature	<ol style="list-style-type: none"> e. Plug in, repair or install engine coolant and engine oil heaters. f. Replace the engine oil if it is not of the recommended viscosity for the ambient temperature.
Low cranking voltage	<ol style="list-style-type: none"> g. Clean and tighten or replace the positive (+) and negative (-) battery cable connectors and cables at the battery and the generator set. h. Recharge or replace the battery. Specific gravity for a fully charged battery is approximately 1.260 at 80° F (27° C).
	Service as necessary.

FAULT SHUTDOWN

⚠ WARNING

There are hazards present in troubleshooting that can cause equipment damage, severe personal injury or death. Troubleshooting must be performed by qualified persons who know about the hazards of fuel, electricity and machinery. Read Safety Precautions and observe all instructions and precautions in this manual.

Possible Cause	Corrective Action
Low engine oil pressure	Check engine oil level, repair any leaks and fill to the proper level (p. 15).
High engine temperature	<ol style="list-style-type: none"> 1. Check engine coolant level, repair any leaks and fill to the proper level (p. 18). <ol style="list-style-type: none"> a. Check V-belt tension (p. 18). b. Clean and service the cooling system as required to restore full cooling capacity (p. 18).

ENGINE LACKS POWER OR UNSTABLE

⚠ WARNING

There are hazards present in troubleshooting that can cause equipment damage, severe personal injury or death. Troubleshooting must be performed by qualified persons who know about the hazards of fuel, electricity and machinery. Read Safety Precautions and observe all instructions and precautions in this manual.

Possible Cause	Corrective Action
Inadequate fuel delivery	<ol style="list-style-type: none"> 1. Check for fuel (air) leaks at all fittings and tighten as necessary. <ol style="list-style-type: none"> a. Replace the fuel filter (p. 20).
Contaminated fuel	Connect the fuel lift pump to a container of fuel of known quality. Replace the contents of the fuel supply tank if there is a noticeable difference in performance.

NO OUTPUT VOLTAGE

⚠ WARNING

There are hazards present in troubleshooting that can cause equipment damage, severe personal injury or death. Troubleshooting must be performed by qualified persons who know about the hazards of fuel, electricity and machinery. Read Safety Precautions and observe all instructions and precautions in this manual.

Possible Cause	Corrective Action
Line circuit breaker Off .	Find out why the circuit breaker was turned Off , make sure it is safe to reconnect power, and then throw the circuit breaker On .
Line circuit breaker Tripped .	Shut down the generator set and have service performed as necessary to clear the short circuit or ground fault that caused tripping. Then Reset the circuit breaker and start the generator set.

Specifications

Control System

- Unit Mounted, Drip-Proof, Vibration Isolated Console
- **DC Controls - 12-Volt System**
 - Start/Stop/Preheat Switch
 - Sealed Remote Connector for Start/Stop/Preheat Switch Gauge Package
 - Manual Reset Fault Relay Indicating Engine Shutdown for High Coolant Temperature, Low Oil Pressure
- **AC Controls**
 - Voltage Regulator (See Generator Detail)
 - One or Two Circuit Breakers

Engine Detail

Design: 4-Cycle, Liquid-cooled Diesel Engine
Cylinders: Inline Vertical - 3
Bore:
 HDKAL 3.07 in (78 mm)
 HDKAS 2.83 IN (72 MM)
Stroke:
 HDKAL 3.09 in 78.4 mm
 HDKAS 2.90 in (73.6 mm)
Displacement
 HDKAL 68.53 in³ (1124 cm³)
 HDKAS 54.8 in³ (898 cm³)
Compression Ratio: 24 to 1
Lube Oil Capacity: 5.39 qt (5.1 L)
Cooling System Capacity: 1.25 gal (4.73 L)
Starting System: Remote, 12-volt

Fuel Injection Pump: Bosch K mini
Combustion Chamber: Spherical
Fuel Consumption: No. 2 Diesel Fuel, gph/lph

	No Load	Half Load	Full Load
HDKAL	0.24 gph 0.90 lph	0.49 gph 1.85 lph	0.85 gph 3.2 lph
HDKAS	0.23 gph 0.87 lph	0.46 gph 1.74 lph	0.8 gph 3.03 lph

Generator Detail

Design: Brush type, Drip-proof Construction.
Insulation System Rise: Class F per NEMA MGI-1.65 and BS 2757 Insulating Varnish Conforms to MIL-1-24092, Grade CB, Class 155 C.
Exciter System: Electronic Voltage Regulator

Bearing: Double Sealed Prelubricated Ball Bearing
Cooling: Direct Drive Centrifugal Blower
Damper Bar: Improves Harmonics and Voltage Waveforms (Comm HDKAL/HDKAS Only)

Generator Set Performance

Regulation, No Load to Rated Load
Voltage: $\pm 2.5\%$
Frequency: $\pm 2.5\%$
Battery Charging: 12 Volt Battery Charging DC Alternator (30 amp output)
Sound Level: 76 dB(a) @ 3 m rated load
Random Frequency Variation for Constant Loads

from No Load to Full Load is $\pm 1\%$
Random Voltage Variation: Under These Conditions is $\pm 1\%$
Maximum Operating Ambient Temperature: Efficient Radiator Cooling System Permits Operation at Ambient Temperatures up to 120°F (49°C).

Accessories

- Required Accessory**
- (USDA Forest Service Approved Spark Arrester Muffler.
- Optional Accessories**
- Battery - 12 volt, 475 Cold Cranking Amps at 0°F (-17.8°C)
 - Remote Gauge Package with Start/Stop/Preheat Switch, Voltage Meter, Water Temperature Gauge, Oil Pressure Gauge, Hour Meter (Standard on Comm HDKAL/HDKAS)
 - Remote Circuit Breaker Kits
 - Remote Wiring Harness, 10 or 30 ft.
 - Engine Block Heater (Comm HDKAL/HDKAS Only)
 - RACOR Fuel/Water/Separator (Comm HDKAL/HDKAS Only)
 - Remote DC Gauge Kit (Comm HDKAL/HDKAS Only)

THIS PAGE IS INTENDED TO BE BLANK

Information for California generator set Users

These generator sets meet the requirements of California’s Exhaust Emissions Standards for 1995 and later for Utility and Lawn and Garden Equipment Engines.

As a California user of these generator sets, please be aware that unauthorized modifications or replacement of fuel, exhaust, air intake, or speed control system components that affect engine emissions are prohibited. Unauthorized modification, removal or replacement of the generator set label is prohibited.

You should carefully review Operator (Owner), Installation and other manuals and information you receive with your generator set. If you are unsure that the installation, use, maintenance or service of your generator set is authorized, you should seek assistance from an authorized dealer.

California generator set users may use Table 4 as an aid in locating information related to the California Air Resources Board requirements for emissions control.

TABLE 4. EMISSIONS CONTROL INFORMATION

Generator Set Warranty Information	The California emissions control warranty statement is located in the same packet of information as this manual when the engine is shipped from the factory.
Engine Fuel Requirements	The engine is certified to operate on diesel fuel. See FUEL RECOMMENDATIONS.
Engine Lubricating Oil Requirements	See ENGINE OIL RECOMMENDATIONS.
Engine Adjustments	High Idle Speed. This is a service procedure requiring trained personnel and proper tools. See the Service Manual.
Engine Emission Control System	The engine emission control system consists of engine design and precision manufacture. (IFI)

THIS PAGE IS INTENDED TO BE BLANK

How to Obtain Service

When you need parts or service for your generator set contact the nearest authorized Cummins dealer or distributor. Cummins has factory-trained representatives to handle your needs for generator set parts and service. To locate the nearest authorized distributor:

1. Check the U.S. and Canada Sales and Service Directory (F-118) and the International Sales and Service Directory (IN-1013) supplied with your generator set. These directories list authorized distributors who will assist you in locating the nearest authorized dealer.
2. Consult the Yellow Pages. Typically, our distributors are listed under:
GENERATORS – ELECTRIC,
ENGINES – GASOLINE OR DIESEL, or
RECREATIONAL VEHICLES – EQUIPMENT,
PARTS AND SERVICE.
3. Call 1-800-CUMMINS™ (1-800-286-6467) for the name and telephone number of the nearest Cummins distributor in the United States or Canada. (This automated service utilizes touch-tone

phones only). By calling this number you can also request a directory of authorized RV servicing dealers: RV Sales and Service Directory F-919.

To get service, contact the authorized dealer or distributor nearest you, explain the problem and make an appointment. If you have difficulty in arranging for service or resolving a problem, please contact the dealer coordinator or service manager at the nearest Cummins distributor for assistance.

Before calling for service, have the following information available:

1. Complete model number and serial number
2. Date of purchase
3. Nature of the problem.

⚠WARNING *Improper service or replacement of parts can result in severe personal injury, death, and/or equipment damage. Service personnel must be qualified to perform electrical and/or mechanical service.*

THIS PAGE IS INTENDED TO BE BLANK

THIS PAGE IS INTENDED TO BE BLANK

power.cummins.com

Copyright © 2018 Cummins Inc. All rights reserved.

Cummins, Onan, and the "C" logo are registered trademarks of Cummins Inc. and its subsidiaries.

Other company, product, or service names may be trademarks or service marks of others.

Specifications are subject to change without notice.

