

Cummins **Onan** Commercial Mobile Accessories

Performance you rely on.™



Finding the right accessory for your generator

This Cummins Onan Commercial Mobile Accessories and Service Support Catalog lists generator set accessories and parts available for Onan and Cummins Onan Commercial Mobile generators. On newer commercial mobile generators, the Cummins Onan brand name replaces the Onan brand name. Generator series names have also changed but specific model designations have remained the same. If you have an Onan generator, please refer to this cross reference chart

Onan

CME, CMM, CMM EFI Series
5500, 7000
HGJAD, HGJAE, HGJAF

MicroLite Series
KV 2000, 2300, 2500, 2800

MicroQuiet Series
KY 3300, 3600, 4000

CMSD Series Standard Diesel
HDKAS, HDKAL, HDKAG

CMQD Series Quiet Diesel
HDKAT, HDKAU, HDKAV,
HDKBB, HDKCC, HDKCD

Hydraulic Generator Series
RBAA

Protec PTO Generators

Equinox Inverter/Charger

Cummins Onan

Quiet Gas (QG) Series
5500, 7000
HGJAD, HGJAE, HGJAF,

Quiet Gas (QG) Series
2000, 2300, 2500, 2800

Quiet Gas (QG) Series
3300, 3600, 4000

Standard Diesel (SD) Series
HDKAA, HDKAL, HDKAG

Quiet Diesel (QD) Series
HDKAT, HDKAU, HDKAV,
HDKBB, HDKCC, HDKCD

Hydraulic Series
RBAB

Protec Series

Quasi Sine Inverter/Charger

You can order accessories at the time of your generator set purchase or purchase accessories at a later date. Accessories and parts are sold through our worldwide Cummins Onan Distributor/Dealer network. To locate a Cummins Onan Distributor/Dealer near you, visit the dealer locator at www.cumminsonan.com.

For proper accessory application and installation, refer to the appropriate Commercial Mobile generator manual shipped with the unit.

For more complete information on Cummins Onan Mobile Generators, including specification sheets, visit www.cumminsonan.com

Introduction	
Cummins Onan Commercial Mobile Generators	4
Cummins Onan CM QG (Onan MicroLite KV) Accessories	
Installation Templates	8
Mounting Kits	9
Tailpipe & Exhaust Kits	10
Cummins Onan CM QG (Onan MicroQuiet KY) Accessories	
Installation Templates	13
Mounting Kits	13
Tailpipe & Exhaust Kits	16
Cummins Onan CM Protec PTO Accessories	
Display Panel	19
Protec Lead Kits	19
Display Panel	19
Cummins Onan CM HG (RBAA/RBAB) accessories	
Enclosure Kit (Air Discharge)	20
Harness Part Only.....	20
Cummins Onan CM QG (Onan CMM EFI HGJAD) Accessories	
Installation Templates	21
Mounting Kits	21
Tailpipe & Exhaust Kits	23
Fuel System Kits.....	24
Cummins Onan CM QG (Onan CMM HGJAE) Accessories	
Installation Templates	25
Mounting Kits	25
Tailpipe & Exhaust Kits	30
Cummins Onan CM QD (Onan Quiet Diesel) Accessories	
Installation Templates	32
Mounting Kits	32
Tailpipe & Exhaust Kits	33

SD Accesories

Exhaust Components35
Fan Conversion Kits35
Remote AC Units36
Harness.....36
Remote Control Panel38
Ducting Kit40
Remote Mounted DC Control.....41
Fuel Filter/ Water Seperator Kit41
Coolant Overflow Recovery Kit42

Diesel Accessories

Batteries42
Air Cleaner Kit.....43
Exhaust Components43

Electrical System Accessories

Control Panels, Gauges and Displays44
Remote Panel Harnesses49
Battery Cables54
Shore Cords54
AC Transfer Switches55

Fuel System Accessories

Pressure Regulators56

Exhaust System Accessories

Tailpipes & Exhaust Tubes57
Tailpipe Design Kits59
Custom Tailpipes60
Hangers.....61
Clamps61

Part Number Index

.....62

Introduction

Cummins Onan Commercial Mobile Generators

This Catalog lists all accessories for Cummins Onan QG™ and QD™ Commercial Mobile generator models. Accessories for Cummins Onan MicroLite, MicroQuiet, Emerald Advantage, Marquis Platinum, Marquis Gold, and Quiet Diesel Commercial Mobile generators are also listed. For proper application and installation of these accessories, refer to the appropriate CM generator installation manuals.

Quiet Gasoline Series (MicroLite)

Model	Watts	Phase	Fuel	Volts/Freq	Circuit Breaker
2.0 KV-FR/6820	2000	1	LP Vapor	230 V – 50 Hz	9.5 A, 1 pole
2.3 KV-FR/6824	2300	1	Gasoline	230 V – 50 Hz	10 A, 1 pole
2.3 KV-FR/6819	2800	1	Gasoline	120 V – 60 Hz	25 A, 1 pole
2.8 KV-FR/6823	2800	1	Gasoline	100 V – 60 Hz	25 A, 1 pole
2.5 KV-FA/6822	2500	1	LP Vapor	120 V – 60 Hz	25 A, 1 pole
2.8 KV-FA/6821	2800	1	Gasoline	120 V – 60 Hz	25 A, 1 pole

Quiet Gasoline Series (MicroQuiet)

Model	Watts	Phase	Fuel	Volts/Freq	Circuit Breaker
3.3 KY-FR/6818	3300	1	LP Vapor	230 V – 50 Hz	17 A, 2 pole
3.6 KY-FA/6813	3600	1	LP Vapor	120 V – 60 Hz	30 A, 1 pole
4.0 KY-FA/6812	4000	1	Gasoline	120 V – 60 Hz	30 A, 1 pole
3.6 KY-FR/6816	3600	1	Gasoline	230 V – 50 Hz	17 A, 2 pole
3.6 KY-FA/7076	3600	1	Gasoline	240 V - 50 Hz	17 A, 1 pole CE Mark
3.6 KY-FR/11572	3600	1	Gasoline	100 V – 50 Hz	20 A, 2 pole
4.0 KY-FR/6814	4000	1	Gasoline	100/200 V – 60 Hz	30 A, 1 pole
4.0 KY-FA/11580	4000	1	Gasoline	120 V – 60 Hz	30 A, 1 pole
4.0 KY-FR/6815	4000	1	Gasoline	100/200 V – 60 Hz	20 A, 2 pole
4.0 KY-FA/6817 EVAP	4000	1	Gasoline	120V - 60 Hz	30 A, 1 pole, EVAP

Quiet Gasoline Series (CME, CMM and CMM EFI)

Model	Watts	Phase	Fuel	Volts/Freq	Circuit Breaker
5.5 HGJAD-2138	5500	1	Gasoline	120 V – 60 Hz	30 A, 2 pole
5.5 HGJAD-2140	5500	1	Gasoline	120/240 V – 60 Hz	30 A, 2 pole
5.5 HGJAD-2558**°	5500	1	Gasoline	120/240 V – 60 Hz	30 A, 2 pole
7 HGJAD-2139	7000	1	Gasoline	120 V – 60 Hz	30 A, 2 pole
7 HGJAD-2141	7000	1	Gasoline	120/240 V – 60 Hz	30 A, 2 pole
7 HGJAD-2560**°	7000	1	Gasoline	120/240 V – 60 Hz	30 A, 2 pole
5.5 HGJAE-2131	5500	1	Gasoline	120 V – 60 Hz	30 A, 2 pole
5.5 HGJAE-2135	5500	1	Gasoline	120/240 V – 60 Hz	30 A, 2 pole
5.5 HGJAE-2555**	5500	1	Gasoline	120/240 V – 60 Hz	30 A, 2 pole
5.5 HGJAE-2136	5500	3	Gasoline	120/240 V – 60 Hz	18 A, 3 pole
5.5 HGJAE-2144	5500	1	LP Vapor	120/240 V – 60 Hz	30 A, 2 pole
5.5 HGJAE-6757	5500	1	Gasoline	120 V/2400 – 60 Hz	30A 2 pole, EVAP
5.5 HGJAD-6759	5500	1	Gasoline	120 V/240 V – 60 Hz	30A 2 pole, EVAP
6.5 HGJAE-2145	6500	1	LP Vapor	120/240 V – 60 Hz	30 A, 2 pole
6.5 HGJAE-3554	6500	1	LP Vapor	120 V – 60 Hz	30 A, 2 pole
7 HGJAE-2132	7000	1	Gasoline	120 V – 60 Hz	30 A, 2 pole
7 HGJAE-1912	7000	1	Gasoline	120/240 V – 60 Hz	30 A, 2 pole
7 HGJAE-2556**	7000	1	Gasoline	120/240 V – 60 Hz	30 A, 2 pole
7 HGJAE-2137	7000	3	Gasoline	120/240 V – 60 Hz	18 A, 3 pole
7.0 HGJAE-6758	7000	1	Gasoline	120 V/240 V – 60 Hz	30A 2 pole, EVAP
7.0 HGJAD-6760	7500	1	Gasoline	120 V/240 V – 60 Hz	30A 2 pole, EVAP

* Hydraulic pump standard.

** PTO ready, spline shaft, without hydraulic pump.

***PTO ready, spline shaft, with hydraulic pump.

† Green housing

° White housing

Introduction

Standard Diesel Series (CMSD)

Model	Watts	Phase	Fuel	Volts/Freq	Circuit Breaker
6 HDKAL-7	6000	1	Pusher	115/230V - 50 Hz	(1) 30 Amp, 2 pole
6 HDKAL-8	6000	1	Suction	115/230V - 50 Hz	(1) 30 Amp, 2 pole
6 HDKAL-9	6000	3	Pusher	12L Reconnectable - 50 Hz	Voltage Dependent
6 HDKAS-11	6000	1	Pusher	120/240V - 60 Hz	(1) 25 Amp, 2 pole
6 HDKAS-12	6000	1	Suction	120/240V - 60 Hz	(1) 25 Amp, 2 pole
6 HDKAS-13	6000	3	Pusher	12L Reconnectable - 60 Hz	Voltage Dependent
6 HDKAS-14	6000	3	Suction	12L Reconnectable - 60 Hz	Voltage Dependent
6 HDKAL-5009*	6000	1	Suction	115/230V - 50 Hz	(1) 30 Amp, 2 pole
7.5 HDKAL-1	7500	1	Pusher	120/240V - 60 Hz	(1) 35 Amp, 2 pole
7.5 HDKAL-2	7500	1	Suction	120/240V - 60 Hz	(1) 35 Amp, 2 pole
7.5 HDKAL-3	7500	3	Pusher	12L Reconnectable - 60 Hz	Voltage Dependent
7.5 HDKAL-5	7500	1	Pusher	100/200V - 60 Hz	(1) 40 Amp, 2 pole
7.5 HDKAL-5010*	7500	1	Suction	120/240V - 60 Hz	(1) 35 Amp, 2 pole
7.5 HDKAL-5011*	7500	3	Pusher	12L Reconnectable - 50 Hz	Voltage Dependent
8 HDKAG-5007*	8000	1	Pusher	115/230V - 50 Hz	(1) 40 Amp, 2 pole
8 HDKAG-11378	8000	3	Pusher	12L Reconnectable - 50 Hz	Voltage Dependent
8 HDKAG-11473	8000	1	Pusher	115/230V - 50 Hz	(1) 40 Amp, 2 pole
10 HDKAG-5008*	10000	1	Pusher	120/240V - 60 Hz	(1) 45 Amp, 2 pole
10 HDKAG-5280*	10000	1	Pusher	100/200V - 60 Hz	(1) 50 Amp, 2 pole
10 HDKAG-11322	10000	3	Pusher	120/240V - 60 Hz	(1) 35 Amp, 3 pole
10 HDKAG-11509	10000	1	Pusher	100/200V - 60 Hz	(1) 50 Amp, 2 pole
10 HDKAG-61731	10000	1	Pusher	120/240V - 60 Hz	(1) 45 Amp, 2 pole
10 HDKAG-61733	10000	3	Pusher	120/208V - 60 Hz	(1) 35 Amp, 3 pole

* Export Box included

Quiet Diesel Series (CMQD)

Model	Watts	Phase	Fuel	Volts/Freq	Circuit Breaker
5.0 HDKBB-2862	5000	1	Internal	115/230V - 60 Hz	(1) 25 Amp, 2 pole
5.0 HDKBB-2863	5000	3	Internal	230/400V - 60 Hz	(1) 8 Amp, 3 pole
5.5 HDKBB-2860	5500	1	Internal	120V - 60 Hz	(1) 25 Amp, 2 pole
5.5 HDKBB-2861	5500	1	Internal	120/240V - 60 Hz	(1) 25 Amp, 2 pole
5.5 HDKBB-2905	5500	3	Internal	120/240V - 60 Hz	(1) 15 Amp, 3 pole
7.5 HDKAT-41934	7500	1	Internal	120V - 60 Hz	(1) 35 Amp, 2 pole
8 HDKAU-41934	8000	1	Internal	120V - 60 Hz	(1) 35 Amp, 2 pole
10 HDKCC 42345	10000	1	Internal	120/240V - 60 Hz	(1) 45 Amp, 2 pole
10 HDKCC 4512*	10000	1	Internal	120/240V - 60 Hz	(1) 45 Amp, 2 pole
12 HDKCD 2209	12000	1	Internal	120/240V - 60 Hz	(1) 50 Amp, 2 pole
12 HDKCD 5241*	12000	1	Internal	120/240V - 60 Hz	(1) 50 Amp, 2 pole

* Export Box included

PTO Series

Model	Watts	Phase	Volts/Freq	Circuit Breaker
15 YD CR 621	15000	1	120/240V - 60 Hz	70A, 2 Pole Recommended
20 YD CR 621	20000	1	120/240V - 60 Hz	85A, 2 Pole Recommended
25 YD CR 621	25000	1	120/240V - 60 Hz	100A, 2 Pole Recommend
30 YD CR 621	30000	1	120/240V - 60 Hz	150A, 2 Pole Recommend
35 YD CR 621	35000	1	120/240V - 60 Hz	175A, 2 Pole Recommend
15 YD CR 622	15000	3	12L Reconnectable - 60 Hz	Voltage Dependent
20 YD CR 622	20000	3	12L Reconnectable - 60 Hz	Voltage Dependent
25 YD CR 622	25000	3	12L Reconnectable - 60 Hz	Voltage Dependent
32 YD CR 622	32000	3	12L Reconnectable - 60 Hz	Voltage Dependent
40 YD CR 622	40000	3	12L Reconnectable - 60 Hz	Voltage Dependent

Hydraulic Series (CMHG)

Model	Watts	Phase	Shaft	Volts/Freq	Circuit Breaker
6 RBAB 5949	6000	1	15 t spl RH	120/240 - 60 Hz	50/25 A
6 RBAB 5950	6000	1	1" key RH	120/240 - 60 Hz	50/25 A
6 RBAB 5951	6000	1	15 t spl LH	120/240 - 60 Hz	50/25 A
6 RBAB 5952	6000	1	1" keyed LH	120/240 - 60 Hz	50/25 A
6 RBAB 5953	6000	1	13 t spl RH	120/240 - 60 Hz	50/25 A
6 RBAB 6624	6000	1	13 t spl LH	120/240 - 60 Hz	50/25 A
8 RBAB 5954	8000	1	15 t spl RH	120/240 - 60 Hz	67/33 A
8 RBAB 5955	8000	1	1" key RH	120/240 - 60 Hz	67/33 A
8 RBAB 5956	8000	1	15 t spl LH	120/240 - 60 Hz	67/33 A
8 RBAB 5957	8000	1	1" keyed LH	120/240 - 60 Hz	67/33 A
8 RBAB 5958	8000	1	13 t spl RH	120/240 - 60 Hz	67/33 A
8 RBAB 5969	8000	1	15 t spl RH	120/240 - 50 Hz	67/33 A
8 RBAB 5970	8000	1	1" key RH	120/240 - 50 Hz	67/33 A
8 RBAB 5971	8000	1	15 t spl LH	120/240 - 50 Hz	67/33 A
8 RBAB 5972	8000	1	1" keyed LH	120/240 - 50 Hz	67/33 A
8 RBAB 5973	8000	1	13 t spl RH	120/240 - 50 Hz	67/33 A
8 RBAB 6625	8000	1	13 t spl LH	120/240 - 60 Hz	67/33 A
10 RBAB 5959	10000	1	15 t spl RH	120/240 - 60 Hz	83/42 A
10 RBAB 5960	10000	1	1" key RH	120/240 - 60 Hz	83/42 A
10 RBAB 5961	10000	1	15 t spl LH	120/240 - 60 Hz	83/42 A
10 RBAB 5962	10000	1	1" keyed LH	120/240 - 60 Hz	83/42 A
10 RBAB 5963	10000	1	13 t spl RH	120/240 - 60 Hz	83/42 A
10 RBAB 6626	10000	1	13 t spl LH	120/240 - 60 Hz	83/42 A
15 RBAB 5964	15000	1	15 t spl RH	120/240 - 60 Hz	125/63 A
15 RBAB 5965	15000	1	1" key RH	120/240 - 60 Hz	125/63 A
15 RBAB 5966	15000	1	15 t spl LH	120/240 - 60 Hz	125/63 A
15 RBAB 5967	15000	1	1" keyed LH	120/240 - 60 Hz	125/63 A

* Reverse (counter-clockwise) rotation

** OEM/Distributor supplied

QG Accessories

Formerly MicroLite KV

Installation Templates

Your Cummins Onan Distributor can order the following paper installation templates from the official printed material supplier. Please contact your Distributor to obtain these, using the part numbers referenced below.

539-0977

Underfloor Mount Template

539-1386

Compartment Mount Template

Description

A paper guide for marking mounting holes required to properly install generator.

Compatibility

MicroLite KV
CM QG 2500 LP
CM QG 2800
CM QG 2800 EVAP

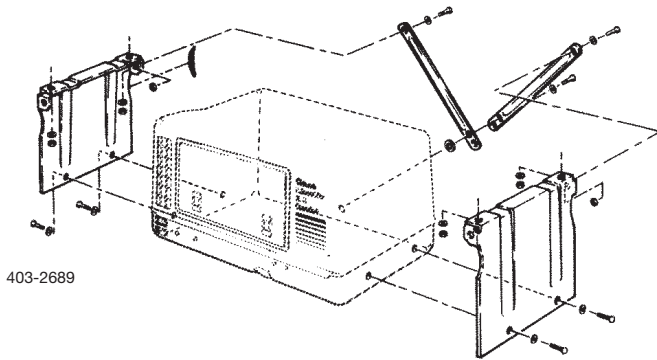
Mounting Kits

403-2689

Underfloor Mounting Kit

Description

Complete kit for underfloor installations.



Compatibility

MicroLite KV
CM QG 2500 LP
CM QG 2800
CM QG 2800 EVAP

Installation

Travel trailer or fifth-wheel installations must be made in accordance with all applicable code requirements, including **ANSI A119.2**. (A copy of the ANSI A119.2 can be obtained from the Recreational Vehicle Industry Association, 1896 Preston White Drive, Reston, VA 22090.) **Refer to the generator set installation manual for additional installation information and important safety precautions.**

Kit Includes

Brackets, hardware and installation template. Exhaust tailpipe not included.

Instruction Sheet

G-60

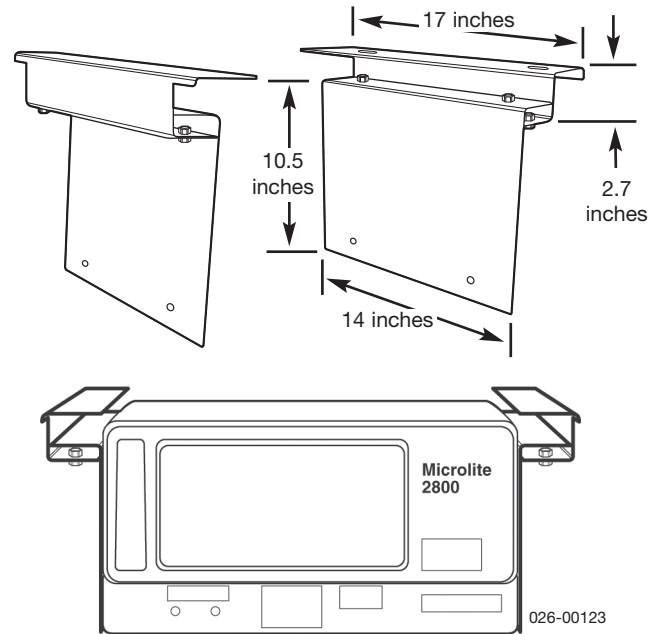
Note: For CM application only. This kit is not designed for use in commercial vehicles. All installations must be made in accordance with ANSI 119.2/NFPA 501C. Refer to the proper instruction sheet and installation manual for recommendations and important safety precautions to follow when installing this kit.

026-00123

Isolated Underfloor Mounting Kit

Description

Complete kit for underfloor installations.



Compatibility

MicroLite 2.8 KV
MicroLite 2.5 KV
CM QG 2500 LP
CM QG 2800
CM QG 2800 EVAP

Kit Includes

Tray supports, tray, vibration isolators and hardware.

QG Accessories

Formerly MicroLite KV

Tailpipe & Exhaust Kits

Plan each individual exhaust system carefully. A proper installation is not only vapor-tight, but is quieter and safer. Be sure to **check** all applicable **state and federal codes (including ANSI A119.2/NFPA 501C)** regarding exhaust installations. Be sure the installation meets all applicable codes and requirements. **Refer to the proper instruction sheet and installation manual for recommendations and important safety precautions** to follow when installing an exhaust system.

MicroLite KV CM QG 2500 LP, CM QG 2800, CM QG 2800 EVAP generators have a built-in USDA Forest Service approved spark arrester muffler. **It is necessary to equip the generator set with a tailpipe at installation.**

155-2324

Stainless Steel Tailpipe Kit

Description

For applications of more than 25 inches (635 mm). Exhaust tube is 14 inches (356 mm) long and includes a vibration isolation section; designed for use with additional 1-1/2 inch O.D. standard exhaust tailpipe when required.

Benefits

The exhaust tube is constructed of seamless 16 gauge corrugated stainless steel for flexibility to reduce vibration stresses. The hanger clamps are a universal mount, vibration isolated design to reduce rigid tailpipe stresses.

Compatibility

MicroLite KV
CM QG 2500 LP
CM QG 2800
CM QG 2800 EVAP

Installation

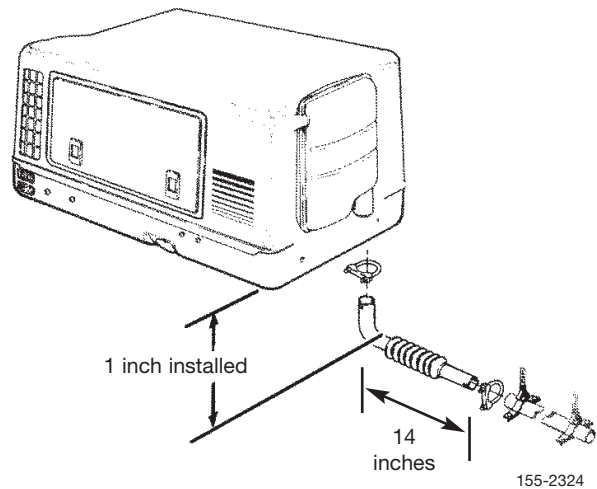
Additional hanger clamps (ref. 155-2174) may be necessary.

Kit Includes

Exhaust tube, hanger clamp, clamps and instructions.

Instruction Sheet

G-62

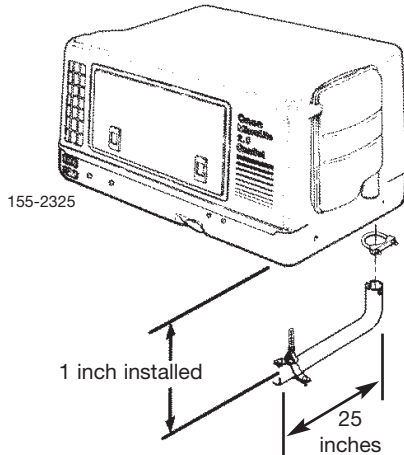


155-2325

Aluminized Steel Tailpipe Kit

Description

For applications from 18 inches to 25 inches (457 to 635 mm).



Benefits

The exhaust tube is constructed of 16 gauge steel. The hanger clamps have a vibration isolated design to reduce rigid exhaust pipe stresses.

Compatibility

- MicroLite KV
- CM QG 2500 LP
- CM QG 2800
- CM QG 2800 EVAP

Installation

Additional hanger clamps (ref. 155-2174) may be necessary.

Kit Includes

Exhaust tube, hanger clamp, clamp and instructions.

Instruction Sheet

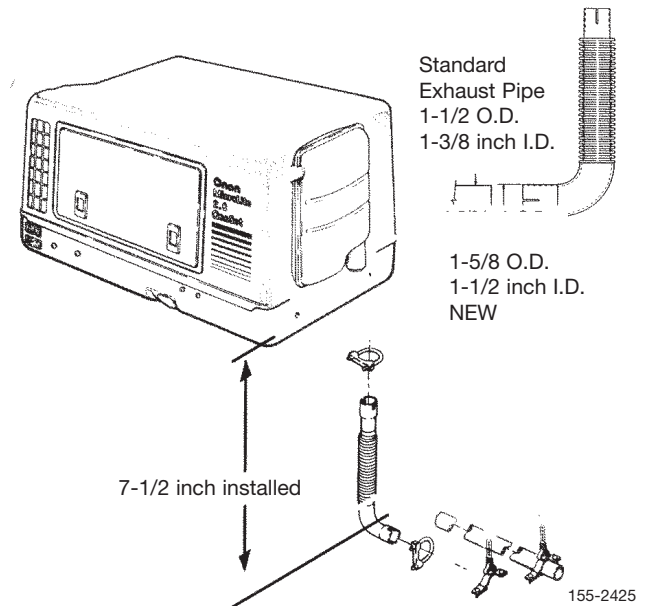
G-63

155-2425

Stainless Steel Extended Downtube Kit – 7-1/2 Inch

Description

For applications that require additional vertical tailpipe clearance (7-1/2 inches).



Benefits

The exhaust tube is constructed of seamless 16 gauge corrugated stainless steel for flexibility, to reduce vibration stresses. The hanger clamps are universal mount, vibration isolated design to reduce rigid tailpipe stresses.

Compatibility

- MicroLite KV
- CM QG 2500 LP
- CM QG 2800
- CM QG 2800 EVAP

Installation

Additional hanger clamps (ref.155-2174) may be necessary.

Instruction Sheet

G-82

QG Accessories

Formerly MicroLite KV

155-2771

Stainless Steel Extended Downtube Kit – 11-3/4 Inch

Description

For applications that require 10 to 11 inch (300 mm) tailpipe clearance for extra thick flow and other obstacles.

Benefits

The exhaust tube is constructed of seamless 16 gauge corrugated stainless steel for flexibility, to reduce vibration stresses. The hanger clamps are universal mount, vibration isolated design to reduce rigid tailpipe stresses.

Compatibility

MicroLite KV
CM QG 2500 LP
CM QG 2800
CM QG 2800 EVAP

Installation

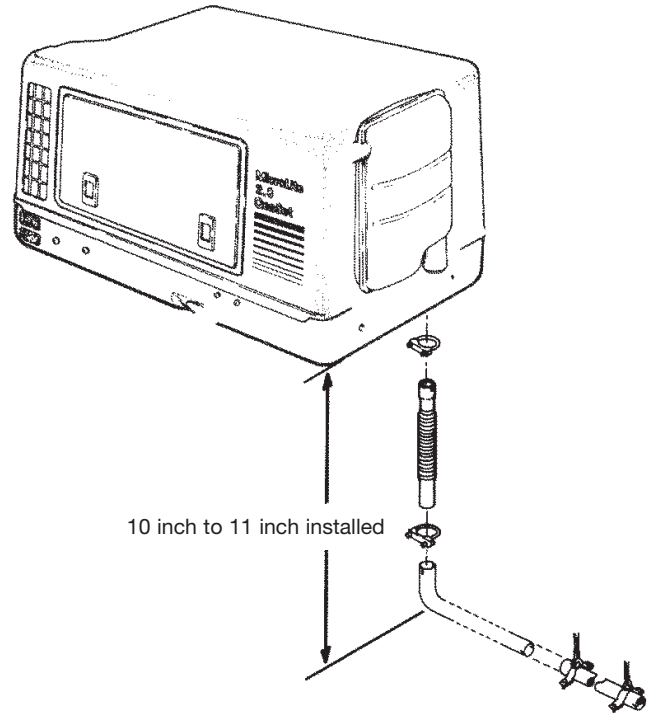
Additional hanger clamps (ref.155-2174) may be necessary.

Kit Includes

Exhaust tube, hanger clamp, clamp and instructions.

Instruction Sheet

G-82



155-2771

QG Accessories

Formerly MicroQuiet KY

Installation Templates

Your Cummins Onan Distributor can order the following paper installation templates from the official printed material supplier. Please contact your Distributor to obtain these, using the part numbers referenced below.

539-1535-01

Underfloor Mount Template

539-1546-01

Compartment Mount Template

Description

A paper guide for marking mounting holes required to properly install generator.

Compatibility

MicroQuiet KY
CM QG 4000
CM QG 4000 EVAP

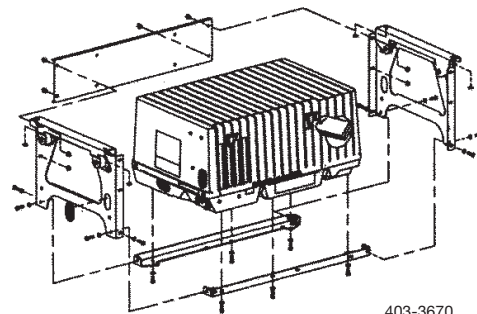
Mounting Kits

403-3670

Underfloor Mounting Kit

Description

Complete kit for underfloor installations.



Compatibility

MicroQuiet KY
CM QG 4000
CM QG 4000 EVAP

Installation

Order installation template (ref. 539-1535-01) separately if required.

Kit Includes

Brackets and hardware. Exhaust tailpipe not included.

Instruction Sheet

G-187

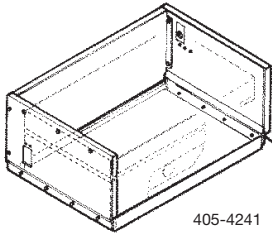
QG Accessories

Formerly MicroQuiet KY

405-4241 Housing Kit

Description

For underfloor installations.



Compatibility

MicroQuiet KY
CM QG 4000
CM QG 4000 EVAP

Installation

Use with base adapter kit (ref. 403-3630).

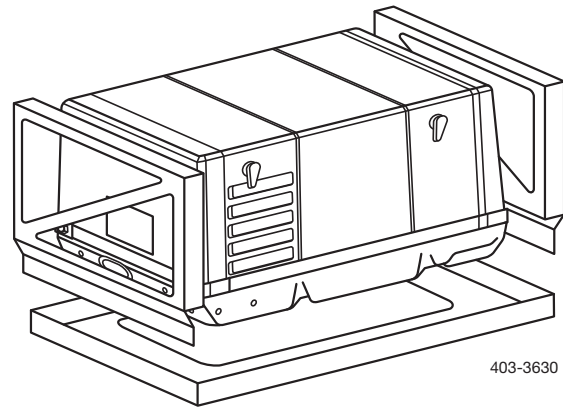
Instruction Sheet

G-85

403-3630 Base Adapter Kit

Description

Adapts the standard tray to the base bolt pattern used for larger CM QG 5500/6500/7000 and Marquis generators.



Compatibility

MicroQuiet KY
CM QG 4000
CM QG 4000 EVAP

Installation

Use with housing kit (ref. 405-4241) if desired.

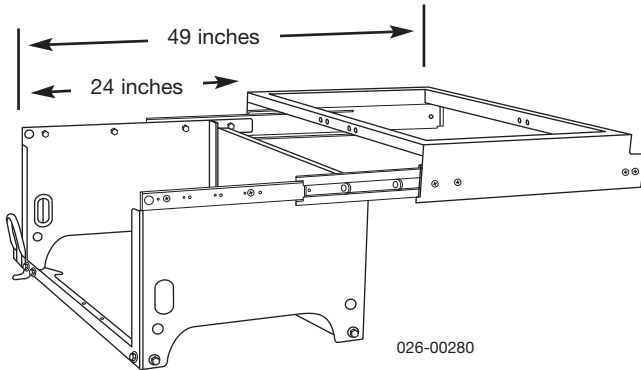
Instruction Sheet

G-208

026-00208
Slide Tray Kit

Description

Under floor slide-out tray, top mount. Allows the generator to slide out 24 inch for easy access.



Compatibility

4.0 MicroQuiet KY
CM QG 4000
CM QG 4000 EVAP

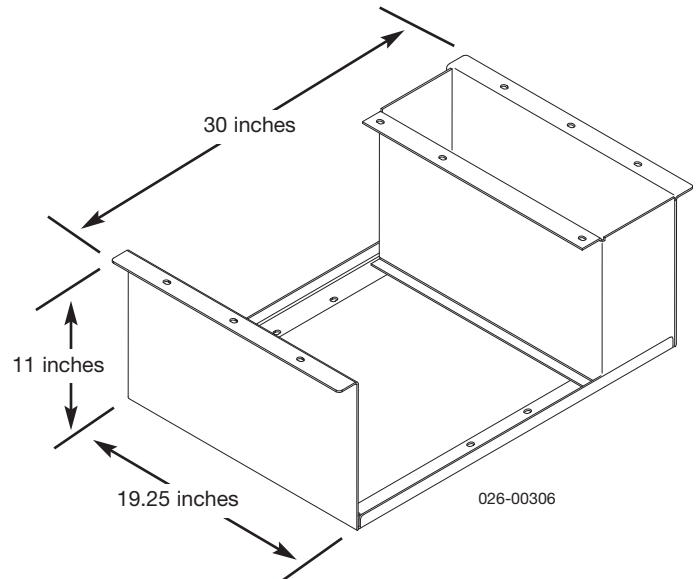
Kit Includes

Tray, rails and 25 inch slides. Exhaust guard (ref. 034-00027) not included.

026-00306
Deep Compartment

Description

Use with 5th wheel trailers.



Benefits

Allows for easy installation of generator and maintains proper air flow.

Compatibility

MicroQuiet KY
CM QG 4000
CM QG 4000 EVAP

QG Accessories

Formerly MicroQuiet KY

Tailpipe & Exhaust Kits

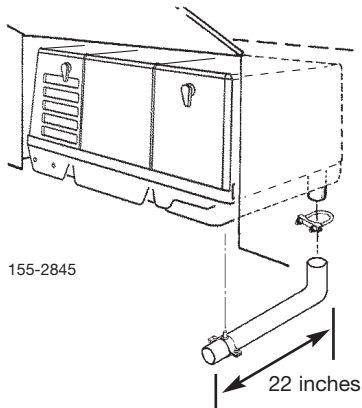
Plan each individual exhaust system carefully. A proper installation is not only vapor-tight, but is quieter and safer. Be sure to **check** all applicable **state and federal codes (including ANSI A119.2/NFPA 501C)** regarding exhaust installations. Be sure the installation meets all applicable codes and requirements. **Refer to the proper instruction sheet and installation manual for recommendations and important safety precautions** to follow when installing an exhaust system.

155-2845

Tailpipe Kit – 22 Inch

Description

Connects to the bottom of the generator mounting tray to direct exhaust to the side of the truck body.



Benefits

Use on underfloor installations and those where the truck body's sidewalls don't extend below the generator.

Compatibility

MicroQuiet KY
CM QG 4000
CM QG 4000 EVAP

Installation

Tailpipe hangs approximately one inch below the generator tray. Use exhaust tube (ref. 155-2850) as a downtube extension for applications with a low truck body sidewall.

Kit Includes

Tailpipe, clamp and hanger.

Instruction Sheet

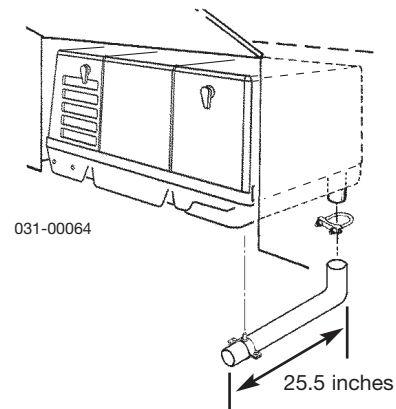
G-206

031-00064

Tailpipe Kit – 25-1/2 Inch

Description

Connects to the bottom of the generator mounting tray to direct exhaust to the side of the truck body.



Benefits

Use on underfloor installations and those where the truck body's sidewalls don't extend below the generator.

Compatibility

MicroQuiet KY
CM QG 4000
CM QG 4000 EVAP

Installation

Tailpipe hangs approximately one inch below the generator tray. Use exhaust tube (ref. 155-2850) as a downtube extension for applications with a low truck body.

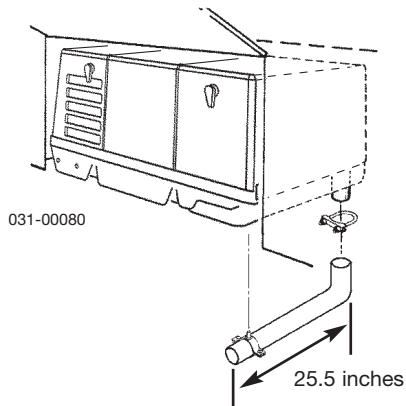
Kit Includes

Tailpipe, two clamps, hanger and hardware.

031-00080
Tailpipe Kit – 25-1/2 Inch

Description

Connects to the bottom of the generator mounting tray to direct exhaust to the side of the truck body.



Benefits

Use on underfloor installations and those where the truck body's sidewalls don't extend below the generator.

Compatibility

MicroQuiet KY
CM QG 4000
CM QG 4000 EVAP

Installation

Tailpipe hangs approximately one inch below the generator tray. Use exhaust tube (ref. 155-2850) as a downtube extension for applications with a low CM body.

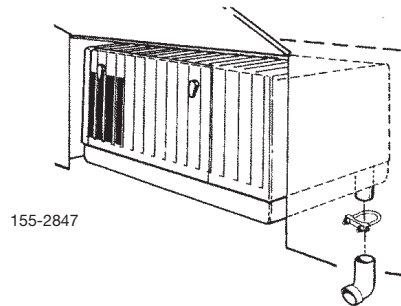
Kit Includes

Tailpipe, clamp, clamp style hanger and hardware.

155-2847
Elbow Adapter Kit

Description

Creates a 90° turn from the muffler outlet for a horizontal 1-1/2 inch O.D. tailpipe.



Compatibility

MicroQuiet KY
CM QG 4000
CM QG 4000 EVAP

Installation

Additional tailpipe, clamp and hanger will be necessary.

Kit Includes

Exhaust elbow and clamp.

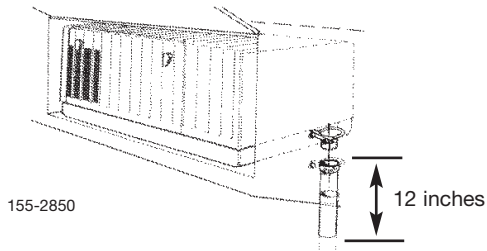
QG Accessories

Formerly MicroQuiet KY

155-2850 Exhaust Tube

Description

12 inches long, 1-1/8 O.D. tube for use as a downtube extension.



Benefits

Can be cut to desired length and combined with other tailpipes.

Compatibility

MicroQuiet KY
CM QG 4000
CM QG 4000 EVAP

Installation

Use with tailpipe kits for above floor or low truck body sidewall installations.

Protec PTO Accessories

Display Panels

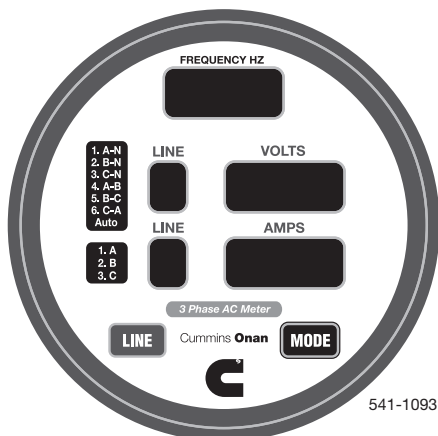
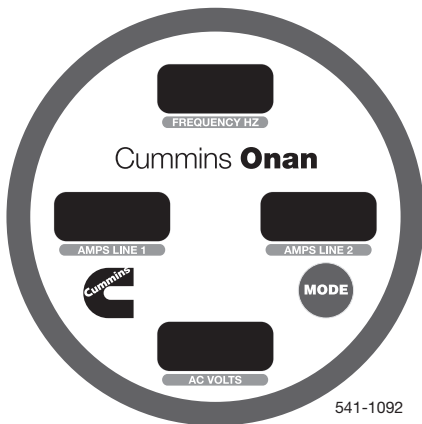
541-1092
Single Phase

541-1093
3 Phase Star

541-1095
3 Phase Delta

LED Display Meter

This LED display meter can be used to display amps, volts and Hz of the system. Kit contains meter, current transformers, voltage transformer, wiring harnesses and instructions. It can also be used on diesel gensets if desired (use 541-1092 single phase unit).



Protec Lead Kits

These output lead kits are sized to 120/240 single phase voltage and 120/208 three phase voltage. If the generator is reconnected to a different voltage, select the kit with the appropriate wire size.

These lead kits consist of 12-foot AC output leads to connect generator to the distribution panel and 12-foot leads to connect the generator to the voltage regulator.

Output Lead P/N	For Use With	Wire Size
541-0519	15 & 20kW, Single & Three Phase 25 kW Single Phase	#4 AWG
541-0520	25 kW Single Phase 32 kW Three Phase	#2 AWG
541-0518	30kW Single Phase 40kW Three Phase	#1 AWG
541-0539	35kW Single Phase	#1/0 AWG

Display Panels

For use with single phase Protec units. Display panels include voltmeter, ammeter, hourmeter, frequency meter and line circuit breaker.

We recommend you utilize the LED display meter pictured at left.

Control Panel P/N	Hertz	kW	Circuit Breaker
300-4700 PO	50	12	70 Amp, 2-pole
300-4589	60	15	70 Amp, 2-pole
300-4590	60	20	85 Amp, 2-pole
300-4701 PO	50	20	85 Amp, 2-pole
300-4591	60	25	100 Amp, 2-pole
300-4592	60	30	150 Amp, 2-pole
300-4593	60	35	175 Amp, 2-pole

PO indicates Part Only

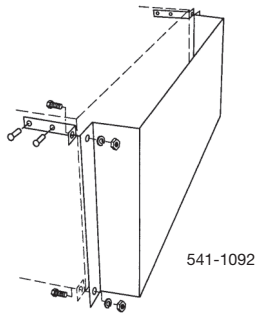


Hydraulic Generator

RBAA/RBAB Hydraulic Generator Accessories

Enclosure Kit (Air Discharge)

Attaches to the side of the CMHG genset. Allows air to be blown up or down.



P/N	kW	Spec.
541-0762	6, 8	A, B
541-0873	6, 8	C
541-0873	10	A and B
541-0911	15	A
541-1012	20	A and B
541-1012	25	A and B

Harnesses Part Only

The following harnesses allow length extensions by increments of 15 feet.

338-4086	Harness-Valve	From genset to the solenoid valve on the pump manifold
338-4087	Harness-Meter (Power)	From the genset to the FRC display
338-4088	Harness-Sensor (Temp)	From the FRC display to the temperature sensor located on the filter assembly on the reservoir
338-4089	Harness-AC (Sense)	From the genset to the FRC display

QG Accessories

Formerly CMM EFI HGJAD

Installation Templates

Your Cummins Onan Distributor can order the following paper installation templates from the official printed material supplier. Please contact your Distributor to obtain these, using the part numbers referenced below.

539-2057

Compartment Mount Template Paper

Description

A paper guide for marking mounting holes required to properly install generator.

Compatibility

CMM EFI HGJAD
CM QG 5500 EFI
CM QG 7000 EFI

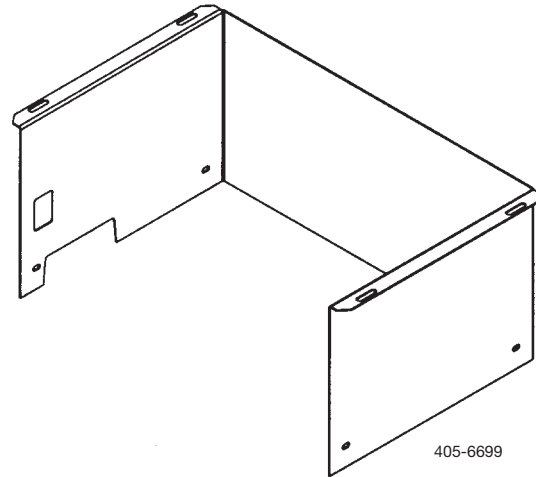
Mounting Kits

405-6699

Underfloor Mounting Kit

Description

For CM underfloor applications only.



Compatibility

CMM EFI HGJAD
CM QG 5500 EFI
CM QG 7000 EFI

Kit Includes

Generator compartment and hardware. Exhaust tailpipe not included.

QG Accessories

Formerly CMM EFI HGJAD

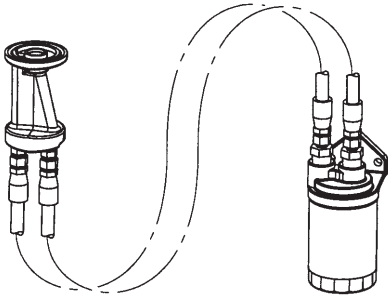
Oil Drain & Other Accessory Kits

541-0608-01

Remote Oil Filter Kit

Description

Allows the oil filter to be mounted remotely on CME and CMM gensets. Includes filter adapter, hoses, remote filter mount with bracket and hardware. (Instruction Sheet #G-485.)



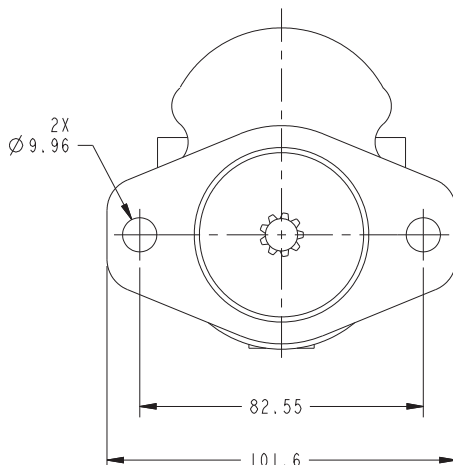
Hydraulic Pump

121-0122-02

MCD Part

Pump mounted on top of HGJA* gensets with PTO option. Pump will provide 1.6 GPM @ 2000 psi on 5.5 KW 1.8 GPM @ 2000 psi on 7 Kw.

Order 2 ea 815-0954-03 bolts to hold pump to engine.

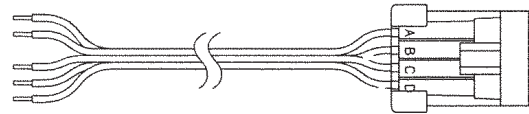


Harnesses

305-0979

Pigtail to Set

Pigtail kit that connects to the sealed remote connector and sealed splices on all gasoline and LP gensets with sealed remote connector. (All CMM, CME, KY Spec F and later, and KV Spec F and later.) (Instruction Sheet #C-571.)



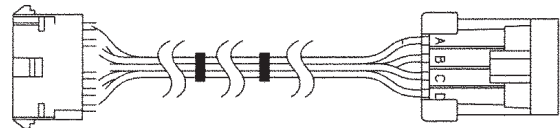
338-3489-01 5-wire

10 Foot Remote Harness

338-3489-02 5-wire

30 Foot Remote Harness

Easy plug connection between gensets with remote sealed connectors and control panels Part #300-4936, 300-4937 and 300-4938, 300-5331, 300-5332 and 300-5333.



338-4156

Pigtail 6-wire

Description

This pigtail has an additional wire to allow connection to the commercial genset continuous stop feature. Commonly used when the genset is located where the operator wants to lock the genset out so a passerby cannot start it. Do NOT buy this pigtail if you do not need the continuous stop feature.



338-4155-01

10' long 6-wire remote harness

Description

This harness has an additional wire to allow connection to the commercial genset continuous stop feature. Commonly used when the genset is located where the operator wants to lock the genset out so a passerby cannot start it. Do NOT buy this harness if you do not need the continuous stop feature.

338-4155-02

30' long 6-wire remote harness

Description

This harness has an additional wire to allow connection to the commercial genset continuous stop feature. Commonly used when the genset is located where the operator wants to lock the genset out so a passerby cannot start it. Do NOT buy this harness if you do not need the continuous stop feature.

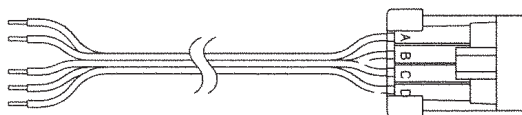


300-4946 Gasoline

Pigtail to Generator

Description

Pigtail that connects to the sealed remote connector on all gasoline and LP gensets with sealed remote.

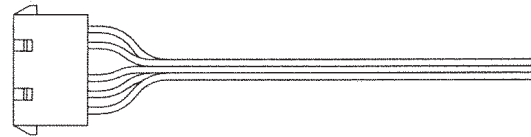


338-3572 Gasoline

Pigtail to Control Panel

Description

Mating plug and 6-inch harness for use with new control panels part #300-4936, 300-4937 and 300-4938 to allow the installer to make a harness connection to the genset.



338-3513

New Set to Old Panel Adapter Harness

Description

Adapts the sealed connector on new-style gensets, Spec M or later, to a vehicle wired for the old-style connector.



338-3673 Part Only

Old Set to New Panel Adapter Harness

Description

Adapts the connector on old-style gensets, Spec J, K and L, to the new-style sealed connector for use with the new control panel extension harnesses.



QG Accessories

Formerly CMM EFI HGJAD

Circuit Breaker Kits

320-1572

30-Amp Circuit Breaker Kit

Replaces 20-amp breaker when two 30-amp single pole, single throw breakers are required. (Instruction Sheet #G-25.)

320-1683

20-Amp Circuit Breaker Kit

Replaces 30-amp breaker when a 20-amp and a 30-amp breaker are required. (Instruction Sheet #C-336.)

Tailpipe & Exhaust Kits

Plan each individual exhaust system carefully. A proper installation is not only vapor-tight, but is quieter and safer. Be sure to **check** all applicable **state and federal codes (including ANSI A119.2/NFPA 501C)** regarding exhaust installations. Be sure the installation meets all applicable codes and requirements. **Refer to the proper instruction sheet and installation manual for recommendations and important safety precautions** to follow when installing an exhaust system.

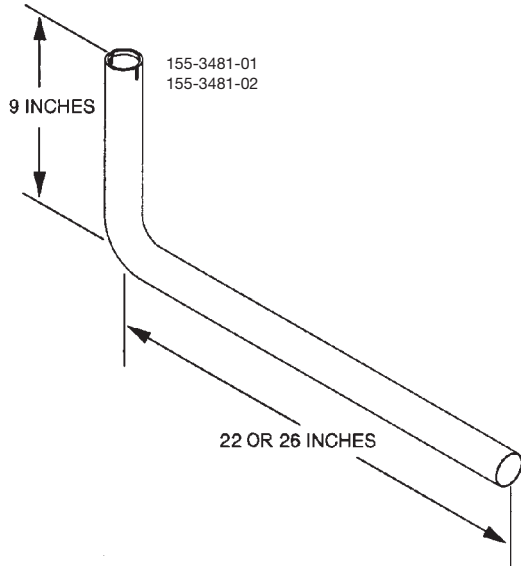
CMM EFI HGJAD CM QG 5500 EFI and CM QG 7000 EFI generator sets have a built-in USDA Forest Service approved spark arrester muffler. **It is necessary to equip the generator set with a tailpipe at installation.**

155-3481-01 Tailpipe Kit – 22 Inch

155-3481-02 Tailpipe Kit – 26 Inch

Description

Tailpipe designed to connect to 1-3/8 inch O.D. generator downtube.



Compatibility

CMM EFI HGJAD
CM QG 5500 EFI
CM QG 7000 EFI

Kit Includes

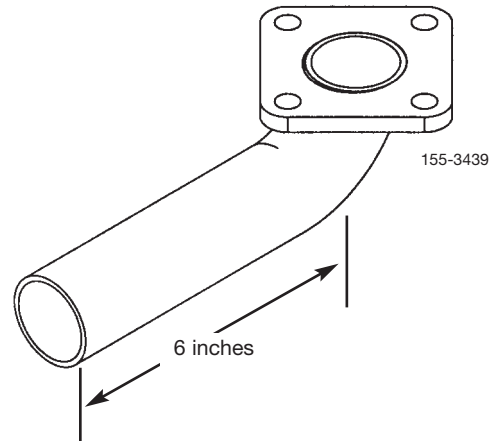
Tailpipe, one clamp and one hanger.

155-3439 Exhaust Elbow – 90°

Description

Replaces standard 1-3/8 inch O.D. downtube.

This elbow allows the exhaust to exit out of 1 of the 3 cutouts in the genset base



Compatibility

CMM EFI HGJAD
CM QG 5500 EFI
CM QG 7000 EFI

Installation

Use with 1-3/8 inch I.D. tailpipe.

QG Accessories

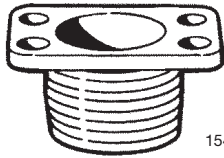
Formerly CMM EFI HGJAD

154-2852*

Exhaust Adapter

Description

Converts standard 1-3/8 inch O.D. downtube to a 1-1/4 inch NPT pipe thread.



154-2852

Compatibility

CMM EFI HGJAD
CM QG 5500 EFI
CM QG 7000 EFI

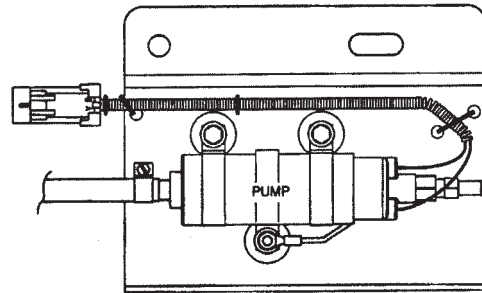
Fuel System Kits

541-1002

EFI Fuel Pump Kit

Description

EFI fuel pump kit for truck chassis.



541-1002

Compatibility

CMM EFI HGJAD
CM QG 5500 EFI
CM QG 7000 EFI

Installation

High pressure hose from pump to generator supplied by truck builder.

Kit Includes

EFI fuel pump w/rubber isolators and universal mounting bracket, 6 feet of 1/4-inch ID suction hose, 15-foot wiring harness, clamps and hardware.

Instruction Sheet

G-591

*Order from Onan Indiana by calling 574-262-4611.

QG Accessories

Formerly CMM HGJAE

Installation Templates

Your Cummins Onan Distributor can order the following paper installation templates from the official printed material supplier. Please contact your Distributor to obtain these, using the part numbers referenced below.

539-2057

Compartment Mount Template – Paper

026-00156

Compartment Mount Template – Metal

Description

A guide for marking mounting holes required to properly install generator.

Compatibility

CMM HGJAE
CM QG 5500/EVAP/LP
CM QG 6500 LP
CM QG 7000/EVAP

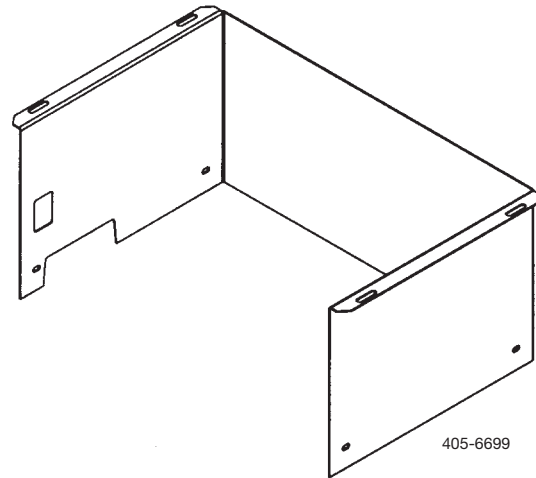
Mounting Kits

405-6699

Underfloor Mounting Kit

Description

For underfloor applications only.



Compatibility

CMM HGJAE
CM QG 5500/EVAP/LP
CM QG 6500 LP
CM QG 7000/EVAP

Kit Includes

Generator compartment and hardware. Exhaust tailpipe not included.

QG Accessories

Formerly CMM HGJAE

026-00165

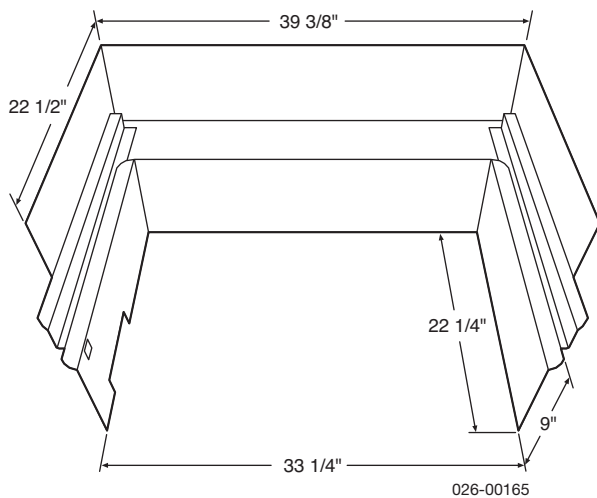
Underfloor Mounting Kit

026-00151

Underfloor Mounting Kit w/Door

Description

Undermount kit that allows generator to slide out 22 inches for easy access.



Compatibility

CMM HGJAE
CM QG 5500/EVAP/LP
CM QG 6500 LP
CM QG 7000/EVAP

Kit Includes

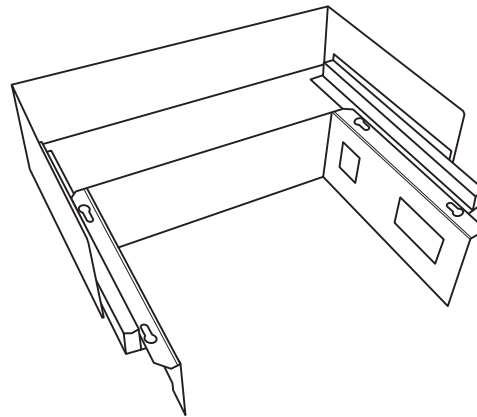
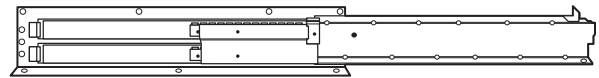
Upper tray (ref. 026-00117), lower tray (ref. 026-00138), slide rail set (ref. 699-01082) and Hardware. A 17-1/4 inch x 41-1/4 inch white door (ref. 699-01074) is supplied with kit 026-00151.

699-01082

Compartment Slide Rail Set

Description

Used with underfloor mounting kits (ref. 026-00165 and 026-00151).



Compatibility

CMM HGJAE
CM QG 5500/EVAP/LP
CM QG 6500 LP
CM QG 7000/EVAP

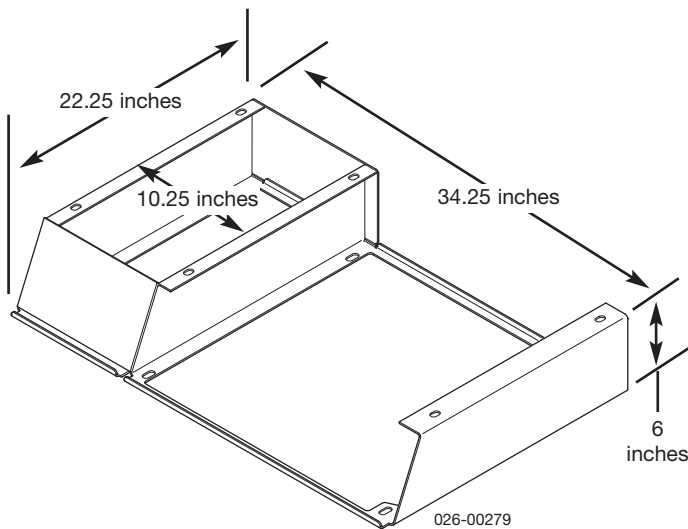
Installation

Each slide rail assembly measures 22 inches x 4-1/2 inches with a 22 inch travel (extension). Maximum load capacity is 500 lbs. closed and 350 lbs. at full extension.

026-00279
Towable Tray

Description

Allows installation of generator in compartments that do not have enough depth while maintaining proper air flow.



Benefits

Separates intake and exhaust air.

Compatibility

CMM HGJAE
CM QG 5500/EVAP/LP
CM QG 6500 LP
CM QG 7000/EVAP

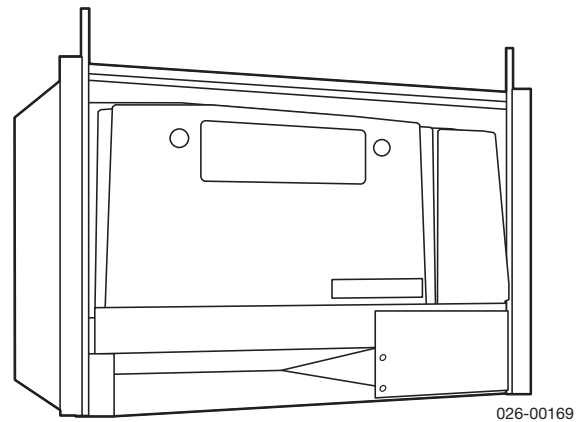
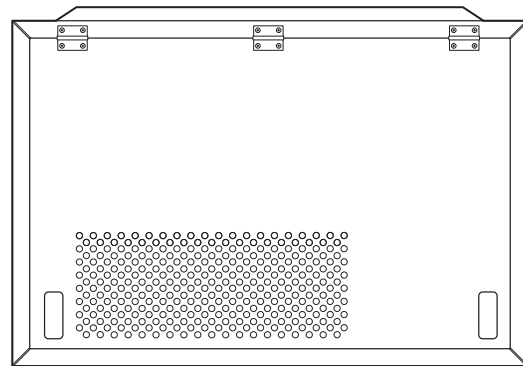
026-00169
Compartment Kit w/Standard Door

026-00191
Compartment Kit w/Flush Door

026-00192
Compartment Kit w/Outer Door

Description

Compartment box for applications requiring a sealed location. Allows for fresh air to be drawn from the front of the compartment.



Compatibility

CMM HGJAE
CM QG 5500/EVAP/LP
CM QG 6500 LP
CM QG 7000/EVAP

Kit Includes

Compartment (ref. 026-00127), door (ref. 026-00168), discharge wrap (ref. 00158) and two risers (ref. 026-00167).

QG Accessories

Formerly CMM HGJAE

026-00292

Standard Compartment Door

026-00293

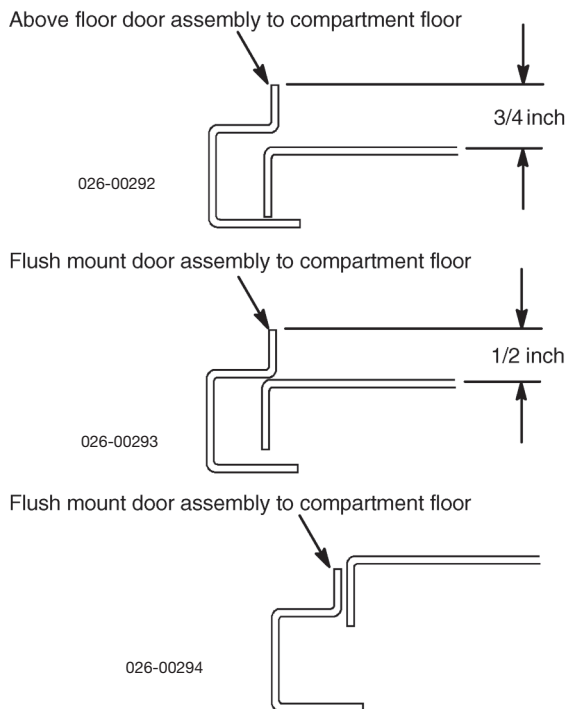
Flush Mount Compartment Door

026-00294

Outer Mount Compartment Door

Description

Compartment door that can be used either with our compartment or in a separate application.



Compatibility

CMM HGJAE
CM QG 5500/EVAP/LP
CM QG 6500 LP
CM QG 7000/EVAP

Installation

Use flush mount door for external box installation. Use outer mount door for installation on side of vehicle when you want to be able to remove the generator without disturbing the door frame.

026-00158

Stainless Steel Discharge Wrap

026-00164

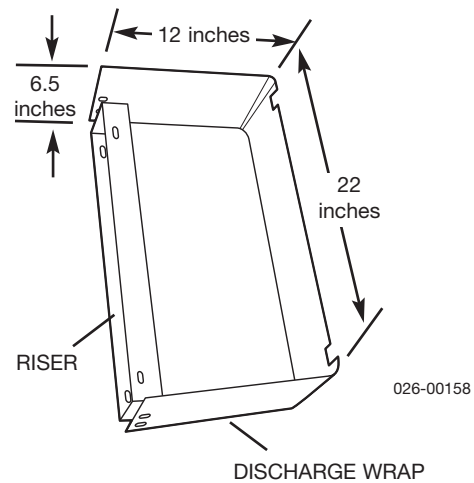
Riser – 4 Inch Black

026-00167

Riser – 4 Inch White

Description

Used when all or part of generator air flow (intake and exhaust) is blocked. 6 inches of unobstructed air flow is required for proper generator operation.



Benefits

Discharge wrap and risers enhance necessary air flow to maximize generator performance by reducing engine heat.

Compatibility

CMM HGJAE
CM QG 5500/EVAP/LP
CM QG 6500 LP
CM QG 7000/EVAP

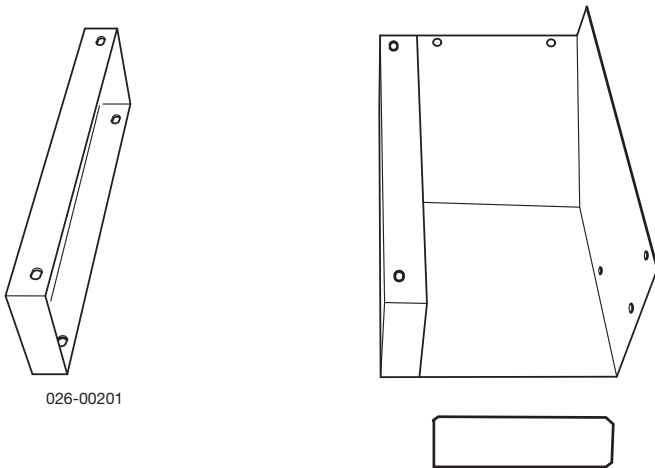
Installation

Order 2 risers for each generator.

026-00201
Front/Rear Exit Duct Kit

Description

Allows generator to be mounted in a compartment with the intake and exhaust air flowing through the compartment door.



Compatibility

CMM HGJAE
CM QG 5500/EVAP/LP
CM QG 6500 LP
CM QG 7000/EVAP

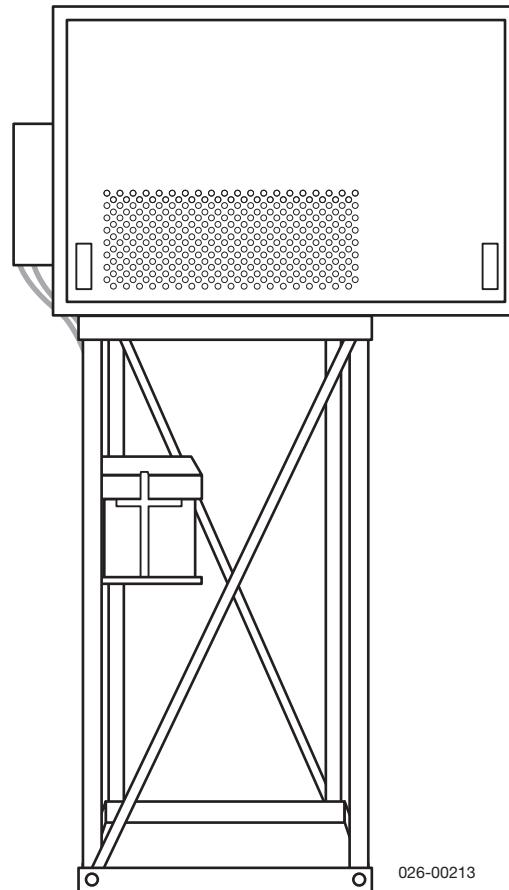
Kit Includes

White lower discharge bracket (ref. 026-00194), two 6 inch white risers (ref. 026-00193), white discharge deflector (ref. 026-00195), exhaust port cover (ref. 026-00198) and hardware.

026-00213
Generator Housing Stand – 48 Inch

Description

Allows the compartment box to be raised to 4 foot above ground.



Compatibility

CMM HGJAE
CM QG 5500/EVAP/LP
CM QG 6500 LP
CM QG 7000/EVAP

Installation

Designed to support the following compartments (ref. 026-00169, 026-00191 and 026-00192).

Kit Includes

Generator housing stand (ref. 026-00214), flush mount door (ref. 026-00228), tailpipe with heatshield and raincap (ref. 046-00994), battery box (ref. 754230) and hardware.

QG Accessories

Formerly CMM HGJAE

Tailpipe & Exhaust Kits

Plan each individual exhaust system carefully. A proper installation is not only vapor-tight, but is quieter and safer. Be sure to **check** all applicable **state and federal codes (including ANSI A119.2/NFPA 501C)** regarding exhaust installations. Be sure the installation meets all applicable codes and requirements. **Refer to the proper instruction sheet and installation manual for recommendations and important safety precautions** to follow when installing an exhaust system.

CM QG 5500, CM QG 5500 EVAP, CM QG 5500 LP, CM QG 6500 LP, CM QG 7000, CM QG 7000 EVAP and CMM Commercial Mobile generator sets have a built-in USDA Forest Service approved spark arrester muffler. **It is necessary to equip the generator set with a tailpipe at installation.**

155-3481-01

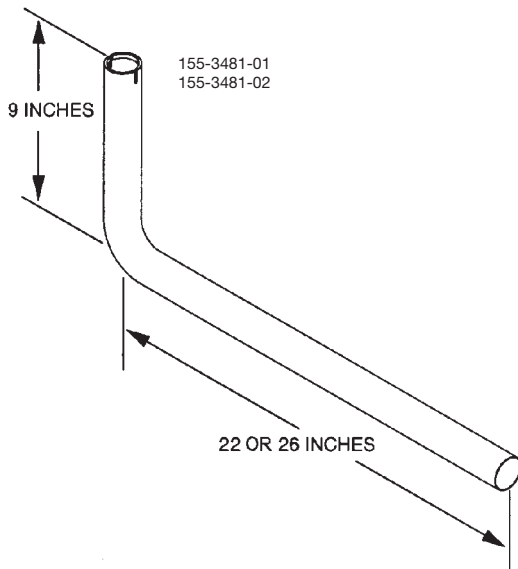
Tailpipe Kit – 22 Inch

155-3481-02

Tailpipe Kit – 26 Inch

Description

Tailpipe designed to connect to 1-3/8 inch O.D. generator downtube.



Compatibility

CM QG 5500/EVAP/LP
CM QG 6500 LP
CM QG 7000/EVAP
CMM HGJAE

Kit Includes

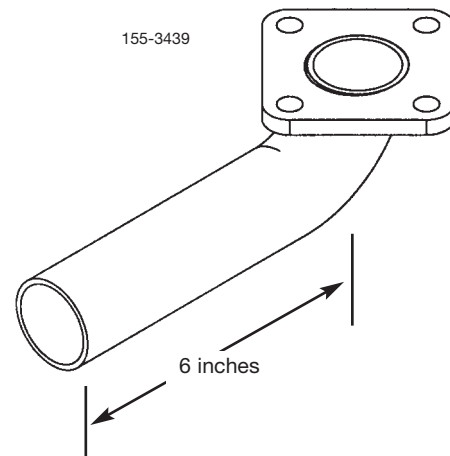
Tailpipe, one clamp and one hanger.

155-3439

Exhaust Elbow - 90°

Description

Replaces standard 1-3/8 inch O.D. downtube.



Compatibility

CM QG 5500/EVAP/LP
CM QG 6500 LP
CM QG 7000/EVAP
CMM HGJAE

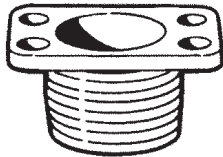
Installation

Use with 1-3/8 inch I.D. tailpipe.

154-2852*
Exhaust Adapter

Description

Converts standard 1-3/8 inch O.D. downtube to a 1-1/4 inch NPT pipe thread.



154-2852

Compatibility

CM QG 5500/EVAP/LP
CM QG 6500 LP
CM QG 7000/EVAP
CMM HGJAE

*Order from Onan Indiana by calling 574-262-4611.

QD Accessories

Formerly Quiet Diesel

Installation Templates

Your Cummins Onan Distributor can order the following paper installation templates from the official printed material supplier. Please contact your Distributor to obtain these, using the part numbers referenced below.

539-2152

Floor Template

539-1810

Floor Template

539-1918

Floor Template

539-4844

Floor Template

Description

A guide for marking mounting holes required to properly install generator.

Compatibility

Part No.	For Use With Models
539-2152	CM QD 5000 Quiet Diesel 5.5 HDKBB
539-1810	CM QD 6000 CM QD 8000 Quiet Diesel 6.0 HDKAV Quiet Diesel 7.5 HDKAT Quiet Diesel 8.0 HDKAU
539-4844	CM QD 10000 CM QD 12500 Quiet Diesel 10.0 HDKCC Quiet Diesel 12.0 HDKCD
539-1918	CM QD 10000 CM QD 12000 HDCAC HDCAD Isuzu Engine Obsolete

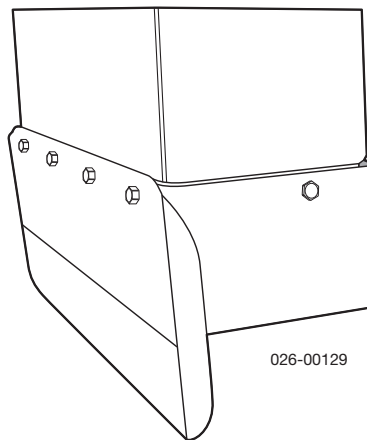
Mounting Kit

026-00129

Air Dam

Description

Suggested when mounting generator below coach body.



026-00129

Compatibility

CM QD 5000
CM QD 6000
CM QD 8000
CM QD 10000
CM QD 12500
Quiet Diesel

Tailpipe & Exhaust Kits

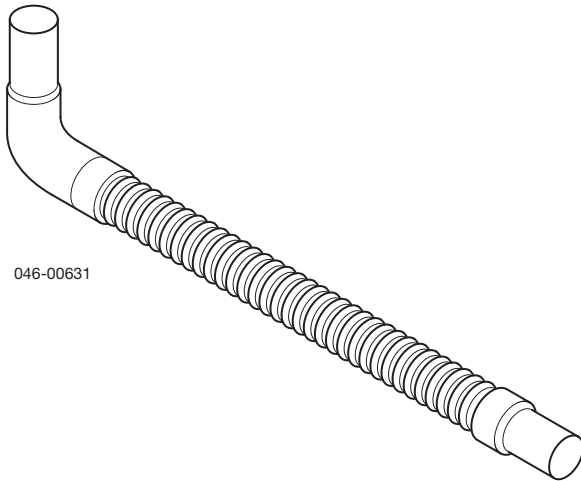
Plan each individual exhaust system carefully. A proper installation is not only vapor-tight, but is quieter and safer. Be sure to **check** all applicable **state and federal codes (including ANSI A119.2/NFPA 501C)** regarding exhaust installations. Be sure the installation meets all applicable codes and requirements. **Refer to the proper instruction sheet and installation manual for recommendations and important safety precautions** to follow when installing an exhaust system.

046-00631

Chrome Tailpipe Extension

Description

1-1/2 inch O.D. x 10 inches long.



Compatibility

CM QD 5000
CM QD 6000
CM QD 8000
CM QD 10000
CM QD 12500

155-2982

Exhaust Elbow 90° – 6 Inch

155-3194

Exhaust Elbow 90° – 6 Inch

030-00032

Exhaust Elbow 90° – 6 Inch

030-00034

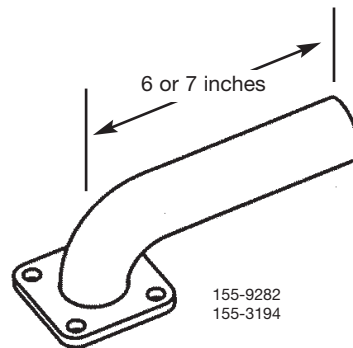
Exhaust Elbow 90° – 7 Inch

030-00035

Exhaust Elbow 90° – 7 Inch

Description

Adapts flange to 1-3/8 inch O.D. tube.



Compatibility

Part No.	For Use With Models
155-2982	Quiet Diesel 5.5 HDKBB
030-00034	Quiet Diesel 6.0 HDKAV Quiet Diesel 7.5 HDKAT Quiet Diesel 8.0 HDKAU
155-3194	Quiet Diesel 10.0 HDCAA/HDKAC
030-00032	Quiet Diesel 12.5 HDCAB/HDKAD
030-00035	

Installation

Use with 1-1/2 inch O.D. tailpipe.

QD Accessories

Formerly Quiet Diesel

030-00011

Downtube – 2-3/4 Inch

030-00007

Downtube Kit – 2-3/4 Inch

030-00009

Downtube Kit w/Gasket – 2-3/4 Inch

155-2610*

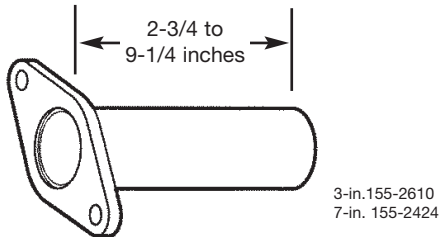
Downtube – 3 Inch

155-2424

Downtube – 7 Inch

Description

Adapts flange to 1-3/8 inch O.D. tube.



Compatibility

CM QD
CM HQD
Quiet Diesel

Installation

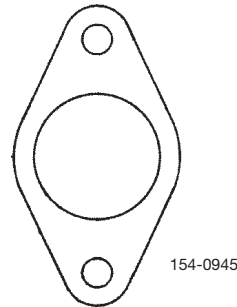
Use with 1-1/2 inch O.D. tailpipe.

154-0945

Exhaust Manifold Flange

Description

1/4 inch thick steel plate construction. For making your own QD tailpipe.



Compatibility

CM QD
Quiet Diesel (except 3200)

*Order from Onan Indiana by calling 574-262-4611.

Diesel Accessories

Formerly HDKAS, HDKAL, HDKAG

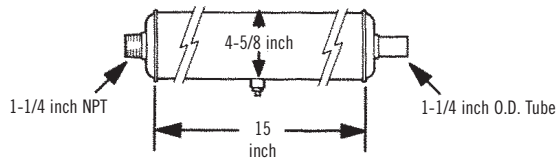
Exhaust Components

155-2068

Muffler

Description

For use with HDKAL, AS gensets. USDA Forest Service approved spark arrester muffler. Note: Exhaust tailpipe NOT included.

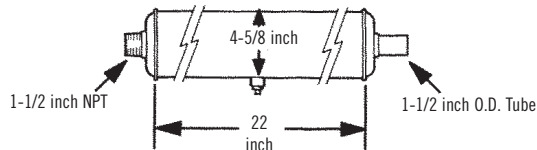


155-2262

Muffler

Description

For use with HDKAG gensets. USDA Forest Service approved spark arrester muffler. Note: Exhaust tailpipe NOT included.

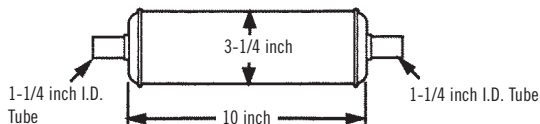


155-2653

Exhaust Resonator

Description

For use with all standard diesel gensets. Softens exhaust noise and can reduce sound levels in some installations up to one dB(A). Mates with 1-1/4 inch O.D. exhaust pipe. Constructed of aluminized steel. Requires a 1-3/8 inch O.D. pipe clamp (Part #155-1257.)

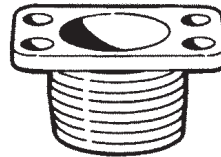


154-2852 Part Only*

Exhaust Adapter

Description

Straight, flange to 1-1/4 inch pipe thread.



Fan Conversion Kits

130-4121 Part Only*

Sucker Fan Kit

Description

Converts a HDKAG pusher fan unit to a suction fan unit. (Pulls air through radiator toward engine.)

130-4556 Part Only*

Pusher Fan Kit

Description

Converts a HDKAG suction fan unit to a pusher fan unit. (Pushes air from engine through radiator.)

Begin Spec B HDKAL & HDKAS Fan Conversion Kits

130-5042 Part Only

Sucker Fan Kit

Description

Converts a HDKAL/S pusher fan unit to a suction fan unit. (Pulls air through radiator toward engine.)

*Order from Onan Indiana by calling 574-262-4611.

Diesel Accessories

Formerly HDKAS, HDKAL, HDKAG

130-5041 Part Only

Pusher Fan Kit

Description

Converts a HDKAL/S suction fan unit to a pusher fan unit. (Pushes air from engine through radiator.)

Remote AC Boxes

320-1948

20A & 30A; AL, AS

320-1950

30A 2 pole; AL

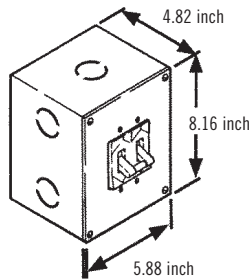
320-1949

35A 2 pole; AL

320-1840

45A 2 pole; AG

Instruction Sheet for all above #C-408.



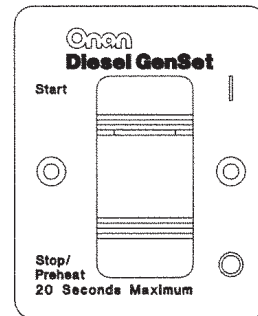
Remote Control Panels

300-4939

Switch Only

Description

For use with all standard diesel gensets. Features an illuminated start/stop switch with mounting plate. The kit includes mounting screws, panel assembly and instruction sheet with mounting template. Onan extension harnesses Part #338-3490-01 and 338-3490-02 provide easy plug-in connection. (Instruction Sheet #C-538.)

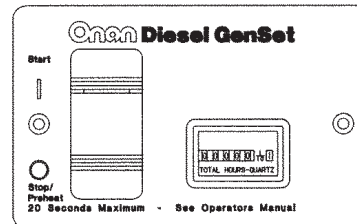


300-4940

Switch and Hourmeter

Description

For use with all standard diesel gensets. Features an illuminated start/stop rocker switch and hourmeter with mounting plate. The kit includes mounting screws, panel assembly and instruction sheet with mounting template. Onan extension harnesses Part #338-3490-01 and 338-3490-02 provide easy plug-in connection. (Instruction Sheet #C-538.)

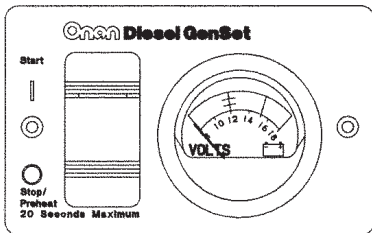


300-4941

Switch and Voltmeter

Description

For use with all standard diesel gensets. Features an illuminated start/stop rocker switch and voltmeter with mounting plate. The kit includes mounting screws, panel assembly and instruction sheet with mounting template. Onan extension harnesses Part #338-3490-01 and 338-3490-02 provide easy plug-in connection. (Instruction Sheet #C-538.)

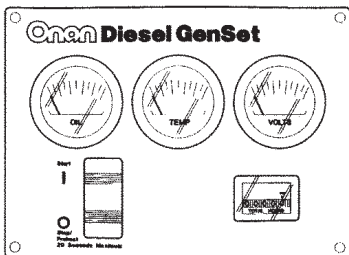


300-5026

Remote Gauge Panel

Description

For use with all standard diesel gensets. Features an illuminated start/stop rocker switch, DC voltage meter, water temperature gauge, oil pressure gauge and hourmeter with mounting plate. The kit includes mounting screws, panel assembly and instruction sheet with mounting template. Onan extension harnesses Part #338-3490-01 and 338-3490-02 provide easy plug-in connection. (Instruction Sheet #C-546.) **When used on HDKAL and HDKAS, also requires oil pressure sender Part #193-0244 and coolant temperature sender Part #193-0318.**



300-4966

Remote DC Gauge Kit

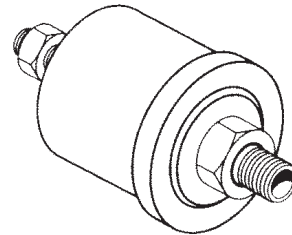
Description

DC gauge package kit for the HDKAS and HDKAL. Features an oil pressure gauge, water temperature gauge and DC voltage meter. Can be set or remote mounted. **When used on HDKAL and HDKAS, also requires oil pressure sender Part #193-0244 and coolant temperature sender Part #193-0318.** (Instruction Sheet #C-534.)

Senders

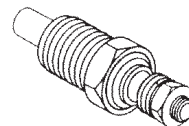
193-0244-99 Part Only*

Oil Pressure Sender



193-0318 Part Only*

Coolant Temperature Sender



Diesel Accessories

Formerly HDKAS, HDKAL, HDKAG

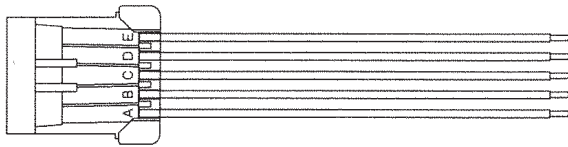
Harnesses

300-4947

Pigtail to Generator – Diesel

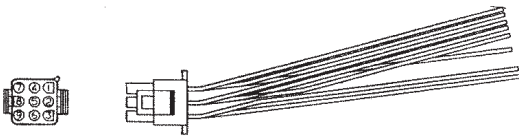
Description

Pigtail that connects to the sealed remote connector on HDKAS, AL diesel gensets with sealed remote connector.



338-2102 Part Only

Pigtail to Set, HDKAG

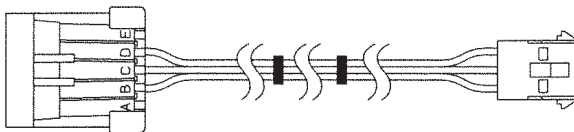


338-3490-01

10 Foot Remote Harness HDKAS, AL

338-3490-02

30 Foot Remote Harness HDKAS, AL



338-2237 Part Only

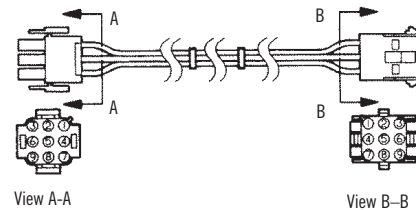
15 Foot Remote Harness HDKAG

338-2238 Part Only

25 Foot Remote Harness HDKAG

Description

Easy plug connection between gensets with remote sealed connectors and control panels 300-4939, 300-4940 and 300-4941.

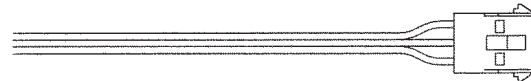


338-3573

Pigtail to Control Panel – Diesel

Description

Mating plug and 6 inch harness for use with control panels 300-4939, 300-4940 and 300-4941 to allow the installer to make a harness to connect to the genset.

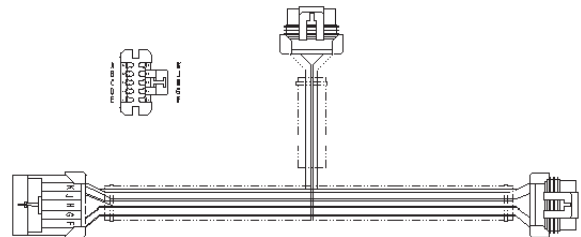


338-3526

Junction Harness

Description

For use with the HDKAS and HDKAL to connect a DC gauge kit and a remote panel or two remote panels.



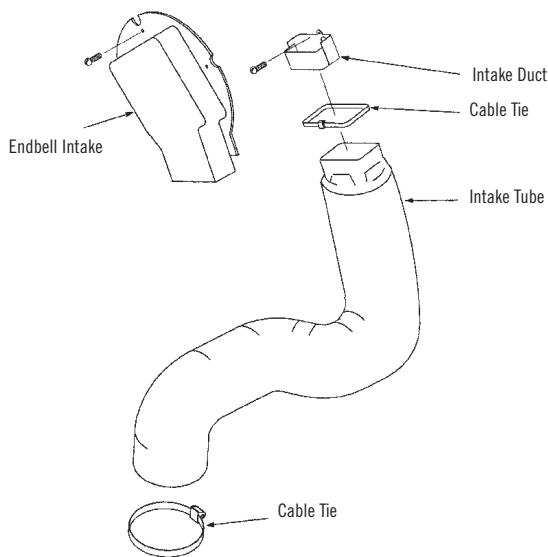
Ducting Kit

140-3214

HDKAS/HDKAL/HDKAG Ducting Kit

Description

For use with the HDKAS, HDKAL and HDKAG suction fan units when mounted in compartments. The kit includes an airduct, hoses, hardware and instruction sheet. (Instruction Sheet #G-407.)



541-0564

Fuel Pump Kit

Description

For use when the set is mounted higher than 36 inches from the fuel source. The kit includes the pump with straight in and out 1/8-27 NPSF fittings, wire connectors and Instruction Sheet #G-435.

Remote Mounted DC Control

For use in mounting the DC control box to a remote location. Requires one each of Part #338-2912 and 338-2914.

338-2912

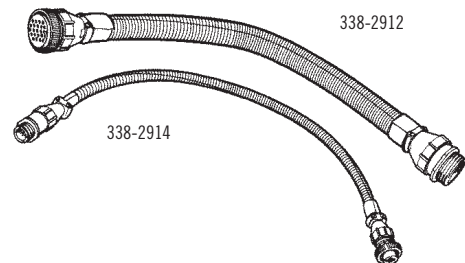
DC Remote Harness Series

DC Harness	Length
338-2912-01	18 in.
338-2912-02	36 in.
338-2912-03	84 in.
338-2912-04	120 in.
338-2912-05	156 in.

338-2914

AC Remote Harness Series

AC Harness	Length
338-2914-02	36 in.
338-2914-03	84 in.
338-2914-04	120 in.
338-2914-05	156 in.



*Order from Onan Indiana by calling 574-262-4611.

Diesel Accessories

Formerly HDKAS, HDKAL, HDKAG

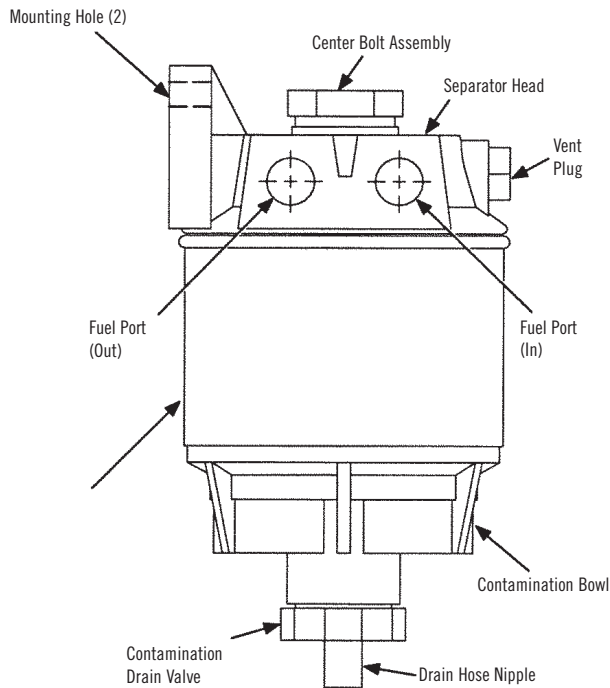
Fuel Filter/Water Separator Kit

149-2573

Racor Fuel Filter/Water Separator Kit

Description

For use with the HDKAS and HDKAL diesel gensets. Kit includes fuel/water separator and all necessary hardware. (Instruction Sheet #G-297.)



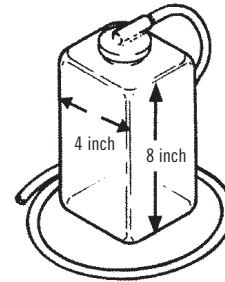
Coolant Overflow Recovery Kit

130-2781

Coolant Overflow Recovery Kit

Description

One quart capacity. Fits with standard vented cap. Allows recovery of coolant in high ambient operation. (Instruction Sheet #A-304.)



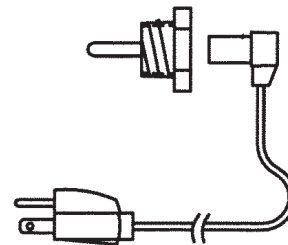
Engine Block Heater Kit

333-0593

Engine Block Heater Kit

Description

For use with all standard diesel gensets. 400W, 120VAC. (Instruction Sheet #G-288.) Will NOT work on the CMQD genset.



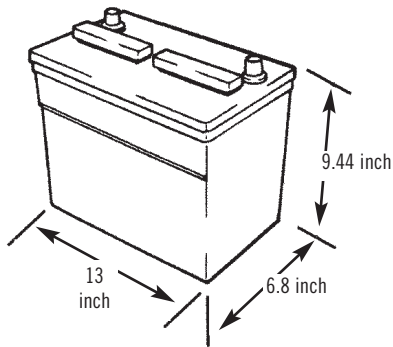
Batteries

416-0796

Battery

Description

12V; SAE 31, 660 cold cranking amps at 0° F, 62 pounds, wet.

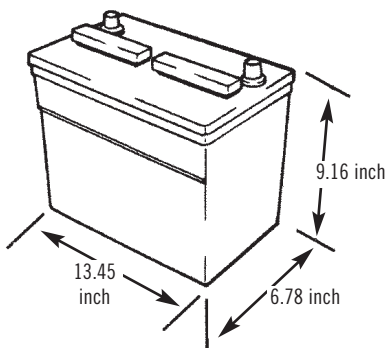


416-0823

Battery

Description

12V; SAE 30H, 620 cold cranking amps at 0° F, 42 pounds, dry.



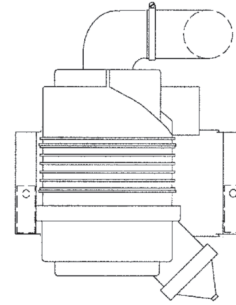
Air Cleaner Kit

541-0531

Remote Air Cleaner Kit HDKAT, HDKAU

Description

For use when access to the set mounted air cleaner is limited. (Instruction Sheet #G-299.)



Fuel Pump Kit

541-0530

Description

Auxiliary Fuel Pump Kit HDKAT, HDKBB, HDKAU
For use when the genset is mounted higher than 36 inches from the fuel tank. The kit includes an electric fuel pump, wiring harness, grommet and instruction sheet. (Instruction Sheet #G-300.) Can be used on diesel or gasoline.

Diesel Accessories

Formerly HDKAS, HDKAL, HDKAG

Exhaust Components

155-2982

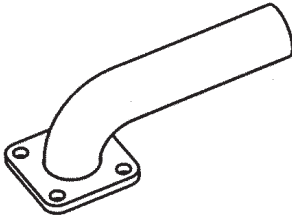
Exhaust Elbow HDKAT, HDKBB, HDKAU

155-3194

Exhaust Elbow HDCAC/HDKCC

Description

90° exhaust adapter elbow. Adapts flange to 1-3/8 inch O.D. tube. (For use with 1-1/2 inch O.D. tailpipe.)



155-2610*

3-Inch Exhaust Tube

Description

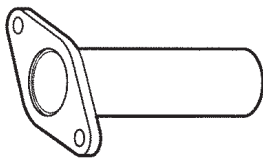
Straight tube, adapts flange to 1-3/8 inch O.D. tube. (For use with 1-1/2 inch O.D. tailpipe.)

155-2424

7-Inch Exhaust Tube

Description

Straight tube, adapts flange to 1-3/8 inch O.D. tube. (For use with 1-1/2 inch O.D. tailpipe.)



*Order from Onan Indiana by calling 574-262-4611.

Electrical System Accessories

Control Panels, Gauges and Displays

300-4936

Switch Panel

300-5331

Switch Panel

300-4942

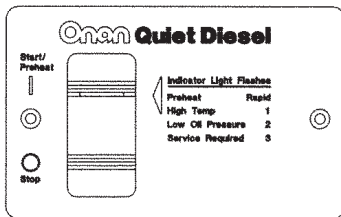
Switch Panel

699-00589

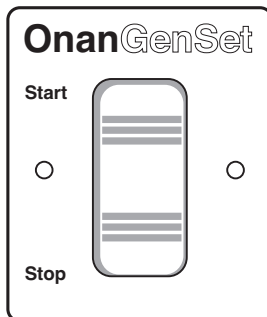
Switch Panel

Description

For use with gasoline, LP vapor and diesel generators. Features an illuminated Start/Stop rocker switch and mounting plate.



300-4942



699-00589

Compatibility

Part No.	Universal Harnesses	For Use With Models
300-4936	338-3489-01 (10 ft)*	Gasoline & LP Units Without Diagnostics CM QG 2500 CM QG 2800 MicroLite KV Camp Power KVD
	338-3489-02 (25 ft)*	
699-00589	044-00060 (25 ft)	MicroLite KV Camp Power KVD
	044-00069 (10 ft)	
300-5331	338-3489-01 (10 ft)*	Gasoline & LP Units With Diagnostics CM QG 4000 CM QG 5500 CM QG 6500 CM QG 7000 MicroQuiet KY Camp Power KYD CMM HGJAD CMM HGJAE
	338-3489-02 (25 ft)*	
699-00589	044-00003 (10 ft)	CMM HGJAD CMM HGJAE
	044-00055 (12 ft)	
	044-00026 (25 ft)	
	044-00041 (40 ft)	
	044-00071 (50 ft)	
300-4942	338-3490-01 (10 ft)	Diesel Units CM QD Quiet Diesel
	338-3490-02 (30 ft)	

*Harness not appropriate for:

MicroLite KV Spec. A-E

MicroQuiet KY Spec. A-E

Kit Includes

Panel assembly, mounting screws and instruction sheet with mounting template.

Instruction Sheet

C-537 (ref. 300-4936 and 300-5331)

C-539 (ref. 300-4942)

Electrical System Accessories

300-4937

Switch and Analog Hourmeter Panel

300-5332

Switch and Analog Hourmeter Panel

028-00020

Switch and Analog Hourmeter Panel

028-00014

Switch and LCD Hourmeter Panel

028-00005

Switch Round Hourmeter Panel

Description

For use with gasoline and LP vapor generators. Features an illuminated Start/Stop rocker switch, hourmeter and mounting plate.

Compatibility

Part No.	Universal Harnesses	For Use With Models
300-4937	338-3489-01 (10 ft)* 338-3489-02 (25 ft)*	Gasoline & LP Units Without Diagnostics CM QG 2500 CM QG 2800 MicroLite KV Camp Power KVD028-00005
028-00005	044-00060 (10 ft)	CM QG 3600 CM QG 4000 CM QG 5500 CM QG 6500 CM QG 7000 MicroQuiet KY Camp Power KYD EFI CMM HGJAD CMM HGJAE
028-00020	044-00069 (25 ft)	
028-00014		
300-5332	338-3489-01 (10 ft)* 338-3489-02 (25 ft)*	Gasoline & LP Units With Diagnostics
028-00020	044-00003 (10 ft)	
028-00014	044-00055 (12 ft) 044-00026 (25 ft) 044-00041 (40 ft) 044-00071 (50 ft)	

*Harness not appropriate for:

MicroLite KV Spec. A-E

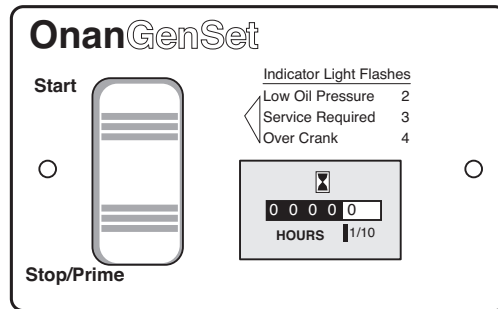
MicroQuiet KY Spec. A-E

Kit Includes

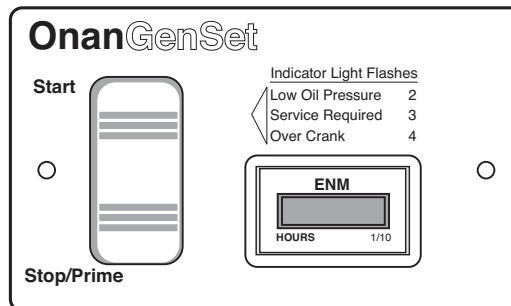
Panel assembly, mounting screws and instruction sheet with mounting template.

Instruction Sheet

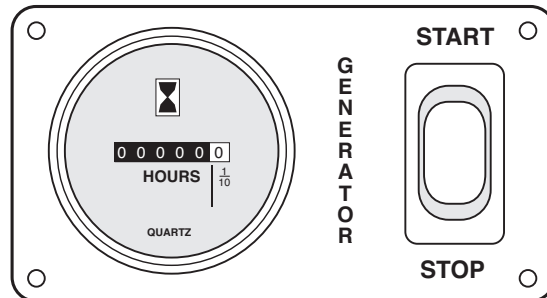
C-537 (ref. 300-4937 and 300-5332)



028-00020



028-00014



028-00005

300-4943

Switch and Analog Hourmeter Panel

028-00007

Switch and Analog Hourmeter Panel

028-00008

Switch and LCD Hourmeter Panel

Description

For use with diesel generators. Features an illuminated Start/Stop rocker switch, hourmeter and mounting plate.

Compatibility

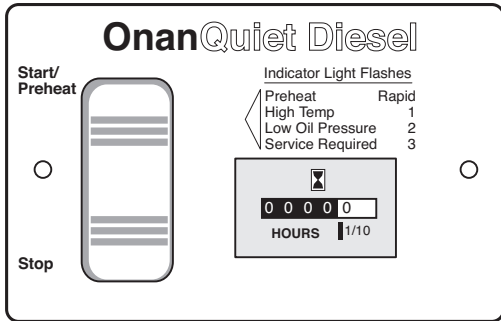
Part No.	Universal Harnesses	For Use With Models
300-4943	338-3490-01 (10 ft)	Diesel Units CM QD (except 3200) Quiet Diesel
	338-3490-02 (30 ft)	
028-00007	044-00010 (12 ft)	
028-00008	044-00057 (15 ft)	
	044-00062 (25 ft)	
	044-00063 (40 ft)	
	044-00072 (50 ft)	

Kit Includes

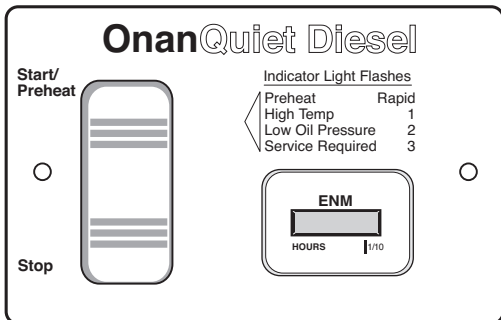
Panel assembly, mounting screws and instruction sheet with mounting template.

Instruction Sheet

C-539 (ref. 300-4943)



028-00007



028-00008

Electrical System Accessories

300-4938

Switch and Voltmeter Panel

300-5333

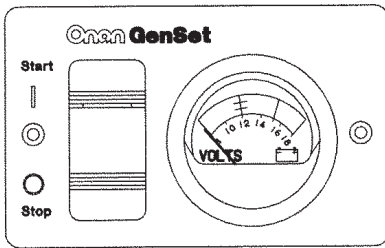
Switch and Voltmeter Panel

300-4944

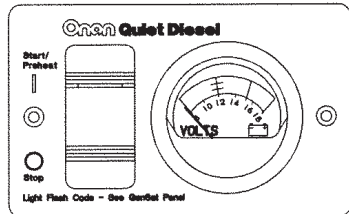
Switch and Voltmeter Panel

Description

Features an illuminated Start/Stop rocker switch voltmeter and mounting plate.



300-5333



300-4944

Compatibility

Part No.	Universal Harnesses	For Use With Models
300-4938	338-3489-01 (10 ft)* 338-3489-02 (25 ft)*	Gasoline & LP Units Without Diagnostics CM QG 2500 CM QG 2800 MicroLite KV Camp Power KVD
300-5333	338-3489-01 (10 ft)* 338-3489-02 (25 ft)*	Gasoline & LP Units With Diagnostics CM QG 4000 CM QG 5500 CM QG 6500 CM QG 7000 MicroQuiet KY Camp Power KYD Emerald Advantage HGJAC Marquis Platinum HGJAA Marquis Gold HGJAB
300-4944	338-3490-01 (10 ft) 338-3490-02 (30 ft)	Diesel Units CM QD (except 3200) Quiet Diesel

*Harness not appropriate for:

MicroLite KV Spec. A-E

MicroQuiet KY Spec. A-E

Kit Includes

Panel assembly, mounting screws and instruction sheet with mounting template.

Instruction Sheet

C-537 (ref. 300-4938 and 300-5333)

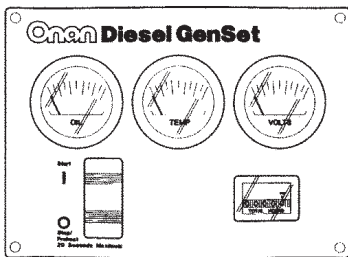
C-539 (ref. 300-4944)

300-5026

Panel with senders for HDKAL

Description

For use with all standard diesel gensets. Features an illuminated start/stop rocker switch, DC voltage meter, water temperature gauge, oil pressure gauge and hourmeter with mounting plate. The kit includes mounting screws, panel assembly and instruction sheet with mounting template. Onan extension harnesses Part #338-3490-01 and 338-3490-02 provide easy plug-in connection. (Instruction Sheet #C-546.) When used on HDKAL and HDKAS, also requires oil pressure sender Part #193-0244 and coolant temperature sender Part #193-0318.



300-5218

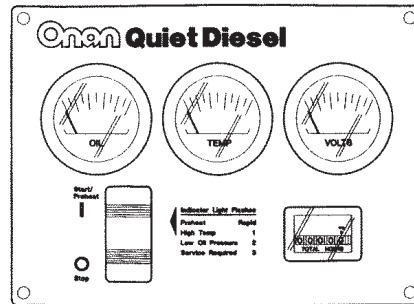
Remote Gauge Panel QD

300-5027

Remote Gauge Panel QD

Description

For use with Quiet Diesel generators. Features an oil pressure gauge, coolant temperature gauge, voltmeter, illuminated Start/Stop rocker switch, hourmeter and mounting plate. Will NOT work on 5.5, 10 and 12 QD.



300-5027
300-5218

Compatibility

Part No.	Universal Harnesses	For Use With Models
300-5218	338-3490-01 (10 ft)	Quiet Diesel 7.5 HDKAJ Spec. A-E
	338-3490-02 (30 ft)	Quiet Diesel 8.0 HDKAK Spec. A-E
300-5027	338-3490-01 (10 ft)	CM QD 6000 HDKAH begin Spec. F
	338-3490-02 (30 ft)	CM QD 8000 HDKAHK begin Spec. F Quiet Diesel 7.5 HDKAJ begin Spec. F Quiet Diesel 8.0 HDKAK begin Spec. F 7.5 HDKAT 8.0 HDKAU 6.0 HDKAU

Kit Includes

Panel assembly, mounting screws and instruction sheet with mounting template.

Instruction Sheet

C-547

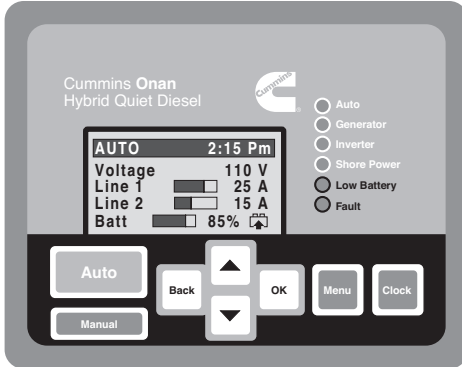
Electrical System Accessories

541-0333

Operator Panel

Description

For use with HQD systems. Single point control for all HQD systems. Required for system setup.



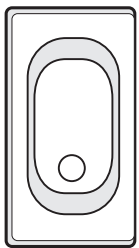
541-0333

699-01000

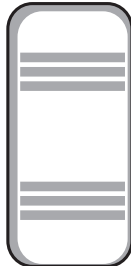
Start/Stop Switch

699-01001

Start/Stop Switch



699-01000



699-01001

Compatibility

Part No.	For Use With Models
699-01000	Units Without Diagnostics
966-01001	Units With Diagnostics

Remote Panel Harnesses

300-4946 Gasoline

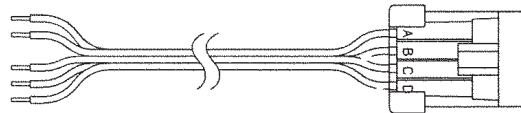
Pigtail to Generator

300-4947 Diesel

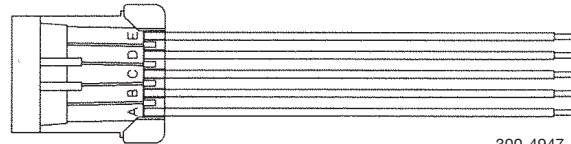
Pigtail to Generator

Description

Features a connector that mates with the remote panel connector at the generator and 6 inches of wire without terminals.



300-4946



300-4947

Compatibility

Part No.	For Use With Models
300-4946	CM QG MicroLite KV beginning Spec. F MicroQuiet KY beginning Spec. F Camp Power Emerald Advantage HGJA Marquis Platinum HGJAA Marquis Gold HGJAB
300-4947	CM QD (except 3200) Quiet Diesel

338-3572 Gasoline
Pigtail to Control Panel

338-3573 Diesel
Pigtail to Control Panel

Description

Features a connector that mates with the connector at the remote panel and 6 inches of wire without terminals.



Compatibility

Part No.	For Use With Control Panels
338-3572	300-4936
	300-4937
	300-4938
	300-5331
	300-5332
300-4947	300-5333
	300-4942
	300-4943
	300-4944
	300-5027
	300-5218

338-3489-01
Remote Panel Harness – 10 Foot

338-3489-02
Remote Panel Harness – 25 Foot

044-00003
Remote Panel Harness – 10 Foot

044-00055
Remote Panel Harness – 12 Foot

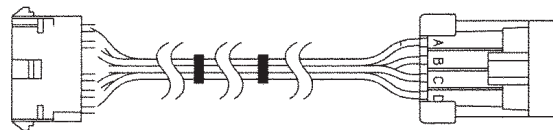
044-00026
Remote Panel Harness – 25 Foot

044-00041
Remote Panel Harness – 40 Foot

044-00071
Remote Panel Harness – 50 Foot

Description

For gasoline and LP vapor generators. Harness assembly that mates with the remote panel connector at the generator and the connector(s) at the remote panel.



338-3489-01 and 338-3489-02 shown

Compatibility

Part No.	For Use With Control Panels
338-3489-01	300-4936
338-3489-02	300-4937
	300-4938
	300-5331
	300-5332
	300-5333
044-00003	028-00005
044-00026	028-00014
044-00041	028-00020
044-00055	699-00589
044-00071	

Electrical System Accessories

338-2237

Remote Panel Harness – 10 Foot

338-2238

Remote Panel Harness – 30 Foot

Description

For HDKAG generators. Harness assembly that mates with the remote panel connector at the generator and the connector(s) at the remote panel.

338-3490-01

Remote Panel Harness – 10 Foot

338-3490-02

Remote Panel Harness – 30 Foot

044-00010

Remote Panel Harness – 12 Foot

044-00057

Remote Panel Harness – 15 Foot

044-00062

Remote Panel Harness – 25 Foot

044-00063

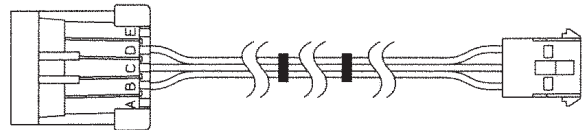
Remote Panel Harness – 40 Foot

044-00072

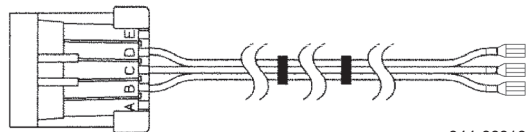
Remote Panel Harness – 50 Foot

Description

For standard diesel generators. Harness assembly that mates with the remote panel connector at the generator and the connector(s) at the remote panel.



338-3490-01 and 338-3490-02 shown



044-00010 thru 72 shown

Compatibility

Part No.	For Use With Control Panels
338-3490-01	300-4942
338-3490-02	300-4943
	300-4944
	300-5027
	300-5218
044-00010	028-00007
044-00057	028-00008
044-00062	
044-00063	
044-00072	

044-00069

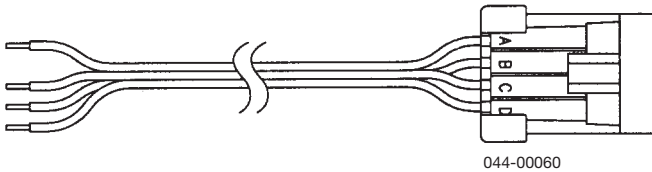
Remote Panel Harness – 10 Foot

044-00060

Remote Panel Harness – 25 Foot

Description

For gasoline and LP vapor generators without diagnostics. Harness assembly that mates with the remote panel connector at the generator and the connectors at the remote panel.



Compatibility

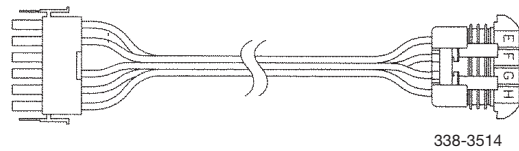
Part No. Models	Universal Remote Panels	For Use With
044-00069	0028-00005	CM QG 2500
044-00060	028-00014	CM QG 2800
	028-00020	MicroLite KV
	699-00589	Camp Power KVD

338-3514

New Remote Panel Adapter Harness

Description

For gasoline and LP vapor generators with the “old-style” remote panel connector. Harness assembly that mates with the “old-style” remote panel connector at the generator and adapts to a new-style remote panel harness.



Compatibility

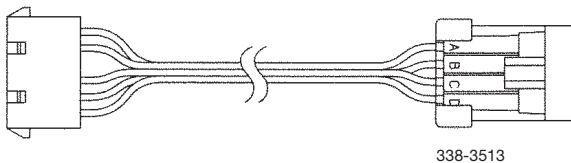
MicroLite KV Spec. A-E
MicroQuiet KY Spec. A-E

338-3513

New Generator Adapter Harness

Description

For new gasoline and LP vapor generators. Harness assembly that mates with the remote panel connector at the generator and adapts to wiring of the “old-style” remote panel connector at the generator.



Compatibility

All gasoline and LP generators

Electrical System Accessories

541-1344

Power Unit CAN Cable – 30 Foot

541-1345

Power Unit CAN Cable – 50 Foot

541-1427

Power Unit CAN Cable – 60 Foot

Description

For use with HQD systems. Communication cable going from the Power Unit to the Inverter.

541-1350

Shunt Cable Kit – 15 Foot

Description

For use with HQD systems. Communication cable going from the shunt to the inverter.

541-1346

Transfer Switch CAN Cable – 15 Foot

541-1347

Transfer Switch CAN Cable – 30 Foot

Description

For use with HQD systems. Communication Cable going from the Transfer Switch to the Inverter.

541-1349

Secondary Inverter CAN Cable – 3 Foot

541-1348

Secondary Inverter CAN Cable – 15 Foot

Description

For use with HQD systems. Communication Cable for going from the primary to secondary inverter in a 12/15 or 12/18.

541-0919

Operator Panel Cable – 25 Foot

541-0932

Operator Panel Cable – 50 Foot

Description

For use with HQD systems. Communication Cable going from the Operator Panel to the Transfer Switch.

541-1351

Transfer Switch Load Demand

Pigtail – 6 Inch

Description

For use with HQD systems. Pigtail for harness to connect to air conditioning system for detection of a demand request.

541-1378

Battery Save Pigtail – 6 Inch

Description

For use with HQD systems. Pigtail to hook up to the battery shut off switch to detect when the coach batteries are disconnected from the load and HQD to go into standby.

541-1330

Shunt Fuse Kit

Description

For use with HQD systems. Shunt to measure DC current to and from batteries combined with required fuse in a single package.

Battery Cables

048-00047

Battery Cable – 2 Foot

048-00049

Battery Cable – 2-1/2 Foot

048-00051

Battery Cable – 3 Foot

048-00053

Battery Cable – 4 Foot

048-00055

Battery Cable – 5 Foot

048-00058

Battery Cable – 6 Foot

048-00060

Battery Cable – 7 Foot

048-00062

Battery Cable – 8 Foot

048-00063

Battery Cable – 9 Foot

048-00023

Battery Cable – 10 Foot

048-00030

Battery Cable – 15 Foot

048-00038

Battery Cable – 20 Foot

048-00044

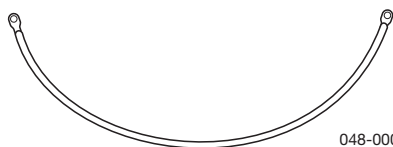
Battery Cable – 25 Foot

048-00037

Raw Battery Cable (by the foot)

Description

Supplied with ring terminals at each end. Custom length cables available on request



Shore Cords

10299

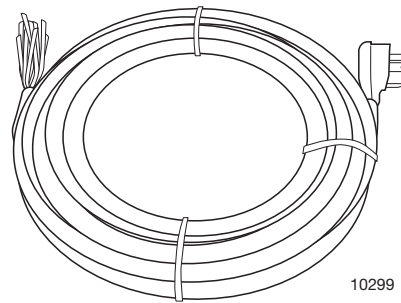
Shore Cord – 30 Amp 25 Foot

10777

Shore Cord – 50 Amp 25 Foot

Description

Features moisture resistant moulded plug.



Electrical System Accessories

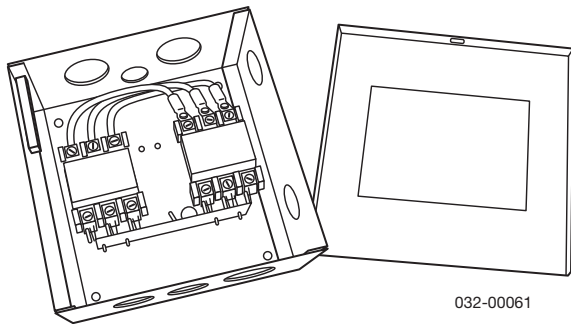
AC Transfer Switches

032-00061

Transfer Switch – 30 Amp

Description

Includes four 1/2–3/4 inch knockouts.



032-00066

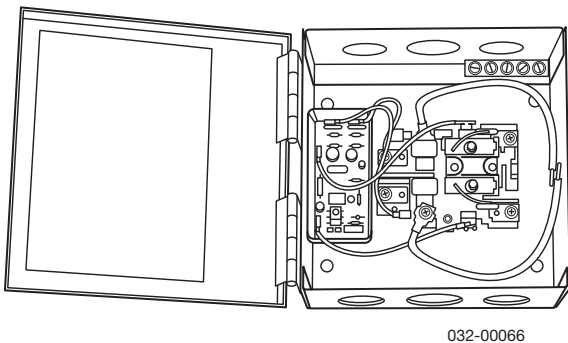
Transfer Switch – 50 Amp

032-00063

Transfer Switch CSA w/Lock – 50 Amp

Description

Includes one 1/2–3/4 inch knockout, one 3/4–1 inch knockout, and three 1–1-1/4 inch knockouts.



Fuel System Accessories

Pressure Regulators

699-00683

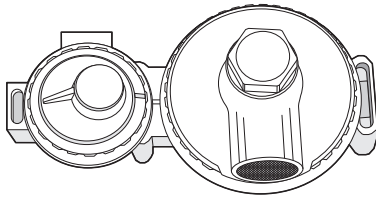
Regulator – 2 Stage w/Vent at 9 o'clock

699-01049

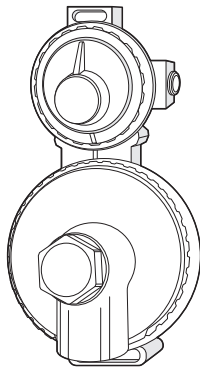
Regulator – 2 Stage w/Vent at 6 o'clock

Description

Features a 1/4 Female NPT inlet and a 3/8 Female NPT outlet. 11 inches WC, 160k btu/hr capacity.



050-00020



699-01049

Installation

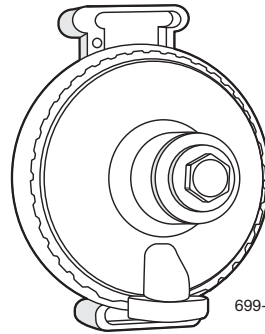
Install with vent pointing down. 9 o'clock vent style for horizontal installation and 6 o'clock vent style for vertical installation.

699-01048

Single Stage Regulator w/Vent at 6 o'clock

Description

Features a 1/4 Female NPT inlet and a 3/8 Female NPT outlet. 11 inches WC, 140k btu/hr capacity.



699-01048

Installation

Install with vent pointing down. Single stage regulators do not meet code for use on RVs.

Exhaust System Accessories

Tailpipes & Exhaust Tubes

046-00402

Tailpipe – 1-1/4 Inch O.D.

046-00489

Tailpipe – 1-1/4 Inch O.D.

046-00821

Tailpipe – 1-1/4 Inch O.D.

046-00816

Tailpipe – 1-1/4 Inch O.D.

046-00809

Tailpipe – 1-1/4 Inch O.D.

046-00794

Tailpipe – 1-1/2 Inch O.D.

046-00787

Tailpipe – 1-1/2 Inch O.D.

046-00781

Tailpipe – 1-1/2 Inch O.D.

046-00722

Tailpipe – 1-1/2 Inch O.D.

046-00705

Tailpipe – 1-1/2 Inch O.D.

046-00259

Tailpipe – 1-1/2 Inch O.D.

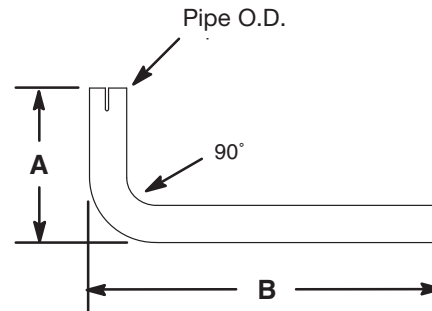
046-00533

Tailpipe – 1-1/2 Inch O.D.

Description

Part No.	Length A	Bend B	Length C
046-00402	4 inches	90°	60 inches
046-00439	6 inches	90°	21 inches
046-00821	3-1/2 inches	90°	44 inches
046-00816	12 inches	90°	22 inches
046-00809	4 inches	90°	8 inches
046-00794	7 inches	90°	22 inches
046-007871	5 inches	90°	54 inches
046-00781	5 inches	90°	84 inches
046-00722	6 inches	90°	36 inches
046-00705	6 inches	90°	28 inches
046-00259	6 inches	90°	68 inches
046-005332	2 inches	90°	24 inches

Chrome tailpipes available on request (allow 2-3 weeks for delivery).
Stainless steel tubing available in some sizes.



Compatibility

Size	For Use With Models
1-1/4 inch O.D.	CM QG 2500 CM QG 2800 CM QG 4000 MicroLite KV MicroQuiet KY Camp Power
1-1/2 O.D.	CM QG 5500 CM QG 6500 CM QG 7000 CM QD Marquis Platinum HGJAA Marquis Gold HGJAB Quiet Diesel

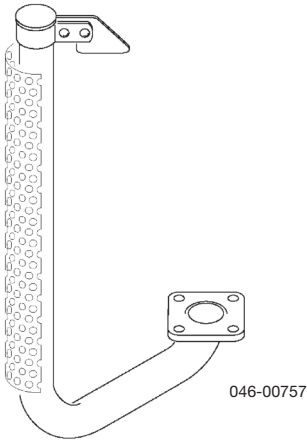
046-00757

Chrome Vertical Exhaust Pipe w/Heatshield and Raincap

89415A Raincap
35225 Raincap

Description

Designed to be mounted directly to the genset, then travel up along the side of the generator. Protected by a rain cap.



Compatibility

- Marquis Gold HGJAB
- CM QG 5500
- CM QG 5500 LP
- CM QG 5500 EVAP
- CM QG 6500 LP
- CM QG 7000
- CM QG 7000 EVAP

699-01154

Flex Tube w/90° Bend – 8 Inch

699-01155

Flex Tube w/90° Bend – 12 Inch

699-01156

Flex Tube w/90° Bend – 16 Inch

699-01157

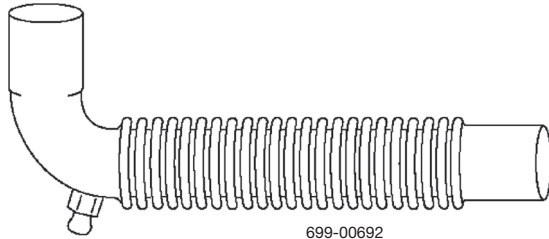
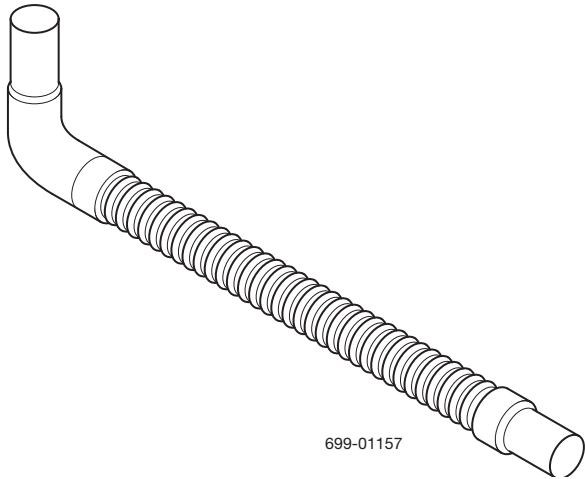
Flex Tube w/90° Bend – 24 Inch

699-00692

Flex Tube w/90° Bend & Drain – 14 inch

Description

All flex tubes have 1-1/8 inch O.D. ends. 14 inch flex tube (ref. 699-00692) includes moisture drain and drain plug.



Compatibility

- CM QG 2500
- CM QG 2800
- CM QG 3600
- CM QG 4000
- MicroLite KV
- Micro Quiet KY
- Camp Power

Exhaust System Accessories

Tailpipe Design Kits

031-00160

Design Kit – 1-1/4 Inch O.D. 10 piece

031-00161

Design Kit – 1-1/4 Inch O.D. 10 piece

031-00162

Design Kit – 1-3/8 Inch O.D. 10 piece

031-00163

Design Kit – 1-3/8 Inch O.D. 10 piece

031-00164

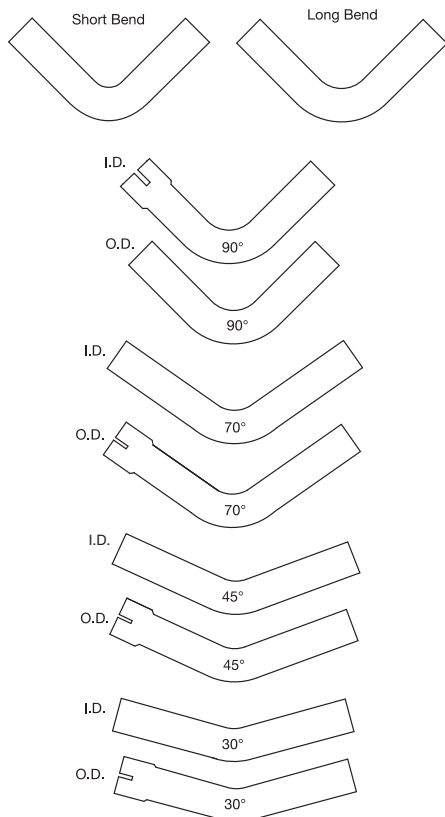
Design Kit – 1-1/2 Inch O.D. 10 piece

031-00165

Design Kit – 1-1/2 Inch O.D. 10 piece

031-00166

Master Design Kit – 60 piece



Description

Assemble kit pieces as needed to design a custom tailpipe for specific applications. Once designed, a Cummins Onan part number can be assigned for future reference and ordering. All pieces are 12 inches long.

Compatibility

All generators.

Part No.	Straight Sections	Elbow Sections
031-00160	1-1/4 inch I.D. (1) 1-1/4 inch O.D. (1)	1-1/4 inch I.D. x 30° Short (1)
		1-1/4 inch O.D. x 30° Short (1)
		1-1/4 inch I.D. x 45° Short (1)
		1-1/4 inch O.D. x 45° Short (1)
		1-1/4 inch I.D. x 70° Short (1)
		1-1/4 inch O.D. x 70° Short (1)
		1-1/4 inch I.D. x 90° Short (1) 1-1/4 inch O.D. x 90° Short (1)
031-00161	1-1/4 inch I.D. (1) 1-1/4 inch O.D. (1)	1-1/4 inch I.D. x 30° Long (1)
		1-1/4 inch O.D. x 30° Long (1)
		1-1/4 inch I.D. x 45° Long (1)
		1-1/4 inch O.D. x 45° Long (1)
		1-1/4 inch I.D. x 70° Long (1)
		1-1/4 inch O.D. x 70° Long (1)
		1-1/4 inch I.D. x 90° Long (1) 1-1/4 inch O.D. x 90° Long (1)
031-00162	1-3/8 inch I.D. (1) 1-3/8 inch O.D. (1)	1-3/8 inch I.D. x 30° Short (1)
		1-3/8 inch O.D. x 30° Short (1)
		1-3/8 inch I.D. x 45° Short (1)
		1-3/8 inch O.D. x 45° Short (1)
		1-3/8 inch I.D. x 70° Short (1)
		1-3/8 inch O.D. x 70° Short (1)
		1-3/8 inch I.D. x 90° Short (1) 1-3/8 inch O.D. x 90° Short (1)
031-00163	1-3/8 inch I.D. (1) 1-3/8 inch O.D. (1)	1-3/8 inch I.D. x 30° Long (1)
		1-3/8 inch O.D. x 30° Long (1)
		1-3/8 inch I.D. x 45° Long (1)
		1-3/8 inch O.D. x 45° Long (1)
		1-3/8 inch I.D. x 70° Long (1)
		1-3/8 inch O.D. x 70° Long (1)
		1-3/8 inch I.D. x 90° Long (1) 1-3/8 inch O.D. x 90° Long (1)
031-00164	1-1/2 inch I.D. (1) 1-1/2 inch O.D. (1)	1-1/2 inch I.D. x 30° Short (1)
		1-1/2 inch O.D. x 30° Short (1)
		1-1/2 inch I.D. x 45° Short (1)
		1-1/2 inch O.D. x 45° Short (1)
		1-1/2 inch I.D. x 70° Short (1)
		1-1/2 inch O.D. x 70° Short (1)
		1-1/2 inch I.D. x 90° Short (1) 1-1/2 inch O.D. x 90° Short (1)
031-00165	1-1/2 inch I.D. x (1) 1-1/2 inch O.D. (1)	1-1/2 inch I.D. x 30° Long (1)
		1-1/2 inch O.D. x 30° Long (1)
		1-1/2 inch I.D. x 45° Long (1)
		1-1/2 inch O.D. x 45° Long (1)
		1-1/2 inch I.D. x 70° Long (1)
		1-1/2 inch O.D. x 70° Long (1)
		1-1/2 inch I.D. x 90° Long (1) 1-1/2 inch O.D. x 90° Long (1)
031-00166	Includes contents of all 6 10 piece kits	

Custom Tailpipes

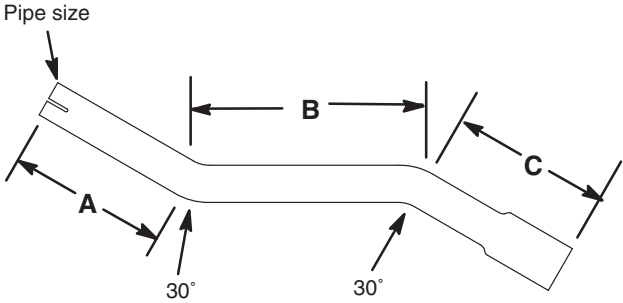
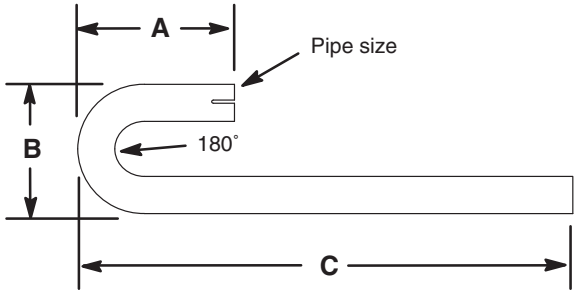
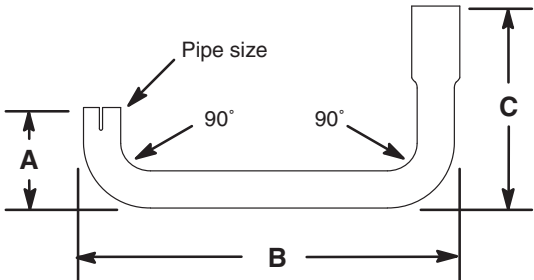
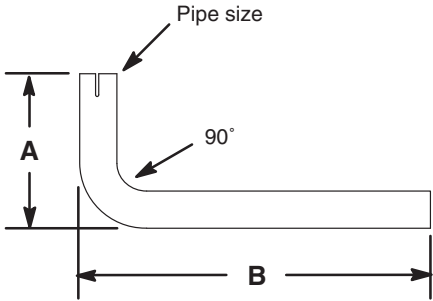
18 Gauge Aluminized Custom Tailpipes

Procedure

Please provide a drawing of the desired tailpipe with your order. Include pipe size (O.D. & I.D.), clearly note bend angle at each bend, and list straight segment lengths.

Copy this page, complete the following table, and highlight the desired example (or provide your own drawing) if necessary.

Segment	Length (6 inch minimum)
A	=
B	=
C	=
D	=



Hangers

034-00033*

Hanger Bracket – 5 Inch

155-2174

Hanger Bracket – 6-1/2 Inch

034-00014

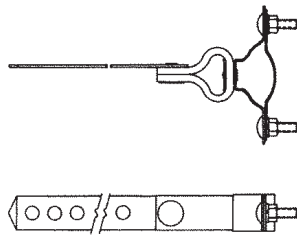
Hanger Bracket – 6-1/2 Inch

034-00015

Hanger Bracket – 10-1/2 Inch

Description

Fits 1-1/2 inch O.D. exhaust pipes unless otherwise noted. Flexible bracket segment speeds installation and reduces rigid tailpipe stresses.



155-2174

*Fits 1-1/4 inch O.D. exhaust pipe.

Clamps

155-1255

Clamp – 1-1/8 Inch

034-00003

Clamp – 1-1/8 Inch

155-1256

Clamp – 1-1/4 Inch

034-00002

Clamp – 1-1/4 Inch

155-1257

Clamp – 1-3/8 Inch

034-00005

Clamp – 1-3/8 Inch

155-1015

Clamp – 1-1/2 Inch

034-00001

Clamp – 1-1/2 Inch

155-1239

Clamp – 1-5/8 Inch

034-00006

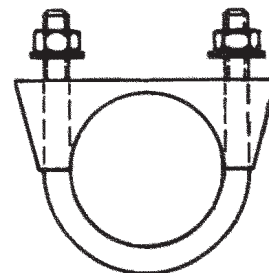
Clamp – 1-5/8 Inch

155-1135

Clamp – 1-3/4 Inch

Description

Cummins Onan drawings and descriptions specify “to fit a specific diameter” which is the O.D. (outside diameter) of the tubing. For reference, the I.D. (internal diameter) of the tubing is 1/8 inch smaller (1/16 inch wall thickness tubing standard).



155-1015 to 155-1257

*Order from Onan Indiana by calling 574-262-4611.

Part Number Index

Part number	Description	Page
026-00123	Isolated Underfloor Mounting Kit	9
026-00129	Air Dam	34
026-00151	Underfloor Mounting Kit w/Door	28
026-00156	Compartment Mount Template – Metal	27
026-00158	Stainless Steel Discharge Wrap	30
026-00164	Riser – 4 Inch Black	30
026-00165	Underfloor Mounting Kit	28
026-00167	Riser – 4 Inch White	30
026-00169	Compartment Kit w/Standard Door	29
026-00191	Compartment Kit w/Flush Door	29
026-00192	Compartment Kit w/Outer Door	29
026-00201	Front/Rear Exit Duct Kit.....	31
026-00208	Slide Tray Kit.....	15
026-00213	Generator Housing Stand – 48 Inch	31
026-00279	Towable Tray.....	29
026-00292	Standard Compartment Door	30
026-00293	Flush Mount Compartment Door	30
026-00294	Outer Mount Compartment Door	30
026-00306	Deep Compartment.....	15
028-00005	Switch Round Hourmeter Panel	46
028-00007	Switch and Analog Hourmeter Panel	47
028-00008	Switch and LCD Hourmeter Panel	47
028-00014	Switch and LCD Hourmeter Panel	46
028-00020	Switch and Analog Hourmeter Panel	46
030-00007	Downtube Kit – 2-3/4 Inch	36
030-00009	Downtube Kit With Gasket – 2-3/4 Inch	36
030-00011	Downtube Kit – 2-3/4 Inch	36
030-00032	Exhaust Elbow 90° – 6 inch	35
030-00034	Exhaust Elbow90° – 7 Inch.....	35
030-00035	Exhaust Elbow90° – 7 Inch.....	35
031-00064	Tailpipe Kit – 25-1/2 Inch	16
031-00080	Tailpipe Kit – 25-1/2 Inch	17
031-00160	Design Kit – 1-1/4 Inch O.D. 10 piece	60
031-00161	Design Kit – 1-1/4 Inch O.D. 10 piece	60
031-00162	Design Kit – 1-3/8 Inch O.D. 10 piece	60
031-00163	Design Kit – 1-3/8 Inch O.D. 10 piece	60
031-00164	Design Kit – 1-1/2 Inch O.D. 10 piece	60
031-00165	Design Kit – 1-1/2 Inch O.D. 10 piece	60
031-00166	Master Design Kit – 60 piece	60
032-00061	Transfer Switch – 30 Amp	56
032-00063	Transfer Switch CSA w/Lock – 50 Amp.....	56

Part Number Index

Part number	Description	Page
032-00066	Transfer Switch – 50 Amp	56
034-00001	Clamp – 1-1/2 Inch	62
034-00002	Clamp – 1-1/4 Inch	62
034-00003	Clamp – 1-1/8 Inch	62
034-00005	Clamp – 1-3/8 Inch	62
034-00006	Clamp – 1-5/8 Inch	62
034-00014	Hanger Bracket – 6-1/2 Inch	62
034-00015	Hanger Bracket – 10-1/2 Inch	62
034-00033	Hanger Bracket – 5 Inch.....	62
044-00003	Remote Panel Harness – 10 Foot	50
044-00010	Remote Panel Harness – 12 Foot	51
044-00026	Remote Panel Harness – 25 Foot	50
044-00041	Remote Panel Harness – 40 Foot	50
044-00055	Remote Panel Harness – 12 Foot	50
044-00057	Remote Panel Harness – 15 Foot	51
044-00060	Remote Panel Harness – 25 Foot	52
044-00062	Remote Panel Harness – 25 Foot	51
044-00063	Remote Panel Harness – 40 Foot	51
044-00069	Remote Panel harness – 10 Foot	52
044-00071	Remote Panel Harness – 50 Foot	50
044-00072	Remote Panel Harness – 50 Foot	51
046-00259	Tailpipe – 1-1/2 Inch O.D.....	58
046-00402	Tailpipe – 1-1/4 Inch O.D.....	58
046-00489	Tailpipe – 1-1/4 Inch O.D.....	58
046-00533	Tailpipe – 1-1/2 Inch O.D.....	58
046-00631	Chrome Tailpipe Extension	35
046-00705	Tailpipe – 1-1/2 Inch O.D.....	58
046-00722	Tailpipe – 1-1/2 Inch O.D.....	58
046-00757	Chrome Vertical Exhaust Pipe w/Heatshield and Raincap	59
046-00781	Tailpipe – 1-1/2 Inch O.D.....	58
046-00787	Tailpipe – 1-1/2 Inch O.D.	58
046-00794	Tailpipe – 1-1/2 Inch O.D.....	58
046-00809	Tailpipe – 1-1/4 Inch O.D.....	58
046-00816	Tailpipe – 1-1/4 Inch O.D.....	58
046-00821	Tailpipe – 1-1/4 Inch O.D.....	58
048-00023	Battery Cable – 10 Foot	55
048-00030	Battery Cable – 15 Foot	55
048-00037	Raw Battery Cable (by the foot)	55
048-00038	Battery Cable – 20 Foot	55
048-00044	Battery Cable – 25 Foot	55
048-00047	Battery Cable – 2 Foot	55
048-00049	Battery Cable – 2-1/2 Foot	55
048-00051	Battery Cable – 3 Foot	55
048-00053	Battery Cable – 4 Foot	55

Part number	Description	Page
048-00055	Battery Cable – 5 Foot	55
048-00058	Battery Cable – 6 Foot	55
048-00060	Battery Cable – 7 Foot	55
048-00062	Battery Cable – 8 Foot	55
048-00063	Battery Cable – 9 Foot	55
10299	Shore Cord – 30 Amp 25 Foot	55
10777	Shore Cord – 50 Amp 25 Foot	55
121-0122-02	Hydraulic Pump	22
130-2781	Coolant Overflow Recovery Kit	42
130-4121	Part Only – Sucker Fan Kit	37
130-4556	Part Only – Pusher Fan Kit	37
130-5041	Part Only – Pusher Fan Kit	38
130-5042	Part Only – Sucker Fan Kit	37
140-3214	HDKAS/HDKAL/HDKAG Ducting Kit	41
149-2573	Racor Fuel Filter/Water Separator Kit	42
154-0945	Exhaust Manifold Flange.....	36
154-2852	Part Only – Exhaust Adapter	26, 33, 37
155-1015	Clamp – 1-1/2 Inch	62
155-1135	Clamp – 1-3/4 Inch	62
155-1239	Clamp – 1-5/8 Inch	62
155-1255	Clamp – 1-1/8 Inch	62
155-1256	Clamp – 1-1/4 Inch	62
155-1257	Clamp – 1-3/8 Inch	62
155-2068	Exhaust Component – Muffler.....	37
155-2262	Exhaust Component – Muffler.....	37
155-2653	Exhaust Resonator	37
155-2174	Hanger Bracket – 6-1/2 Inch	62
155-2324	Stainless Steel Tailpipe Kit	10
155-2325	Aluminized Steel Tailpipe Kit.....	11
155-2424	Downtube – 7 Inch	36, 44
155-2425	Stainless Steel Extended Downtube Kit – 7-1/2 Inch	11
155-2610	Downtube – 3 Inch	36, 44
155-2771	Stainless Steel Extended Downtube Kit – 11-3/4 Inch	12
155-2845	Tailpipe Kit – 22 Inch	16
155-2847	Elbow Adapter Kit	17
155-2850	Exhaust Tube	18
155-2982	Exhaust Elbow90° – 6 Inch	35, 44
155-3194	Exhaust Elbow90° – 6 Inch.....	35, 44
155-3439	Exhaust Elbow – 90°	25, 32
155-3481-01	Tailpipe Kit – 22 Inch	25, 32
155-3481-02	Tailpipe Kit – 26 Inch	25, 32
193-0244-99	Part Only – Oil Pressure Sender	39
193-0318	Part Only – Coolant Temperature Sender	39
300-4936	Switch Panel.....	45

Part Number Index

Part number	Description	Page
300-4937	Switch and Analog Hourmeter Panel	46
300-4938	Switch and Voltmeter Panel	48
300-4939	Remote Control Panel – Switch Only	38
300-4940	Switch and Hourmeter	38
300-4941	Switch and Voltmeter	39
300-4942	Switch Panel.....	45
300-4943	Switch and Analog Hourmeter Panel	47
300-4944	Switch and Voltmeter Panel	48
300-4946	Gasoline – Pigtail to Generator	23, 50
300-4947	Diesel – Pigtail to Generator	40, 50
300-4966	Remote DC Gauge Kit	39
300-5026	Remote Gauge Panel.....	39, 49
300-5027	Remote Gauge Panel QD.....	49
300-5218	Remote Gauge Panel QD.....	49
300-5331	Switch Panel.....	45
300-5332	Switch and Analog Hourmeter Panel	46
300-5333	Switch and Voltmeter Panel	48
305-0979	Pigtai to Set (Harness)	22
320-1572	30-Amp Circuit Breaker Kit	24
320-1683	20-Amp Circuit Breaker Kit.....	24
320-1840	45A 2 pole; A6	38
338-4155-01	10 Foot Long 6-wire Remote Harness.....	23
338-4155-02	30 Foot Long 6-wire Remote Harness.....	23
338-4156	Pigtail 6-wire	22
320-1948	20A and 30A; AL, AS.....	38
320-1949	35A 2 pole; AL	38
320-1950	30A 2 pole; AL	38
333-0593	Engine Block Heater Kit	42
338-2102	Part Only – Pigtail to Set, HDKAG	40
338-2237	Part Only – Remote Panel Harness – 15 ft.	40, 52
338-2238	Part Only – Remote Panel Harness – 30 ft.	40, 52
338-2912	DC Remote Harness Series	41
338-2914	AC Remote Harness Series	41
338-3489-01	5-Wire – Remote Panel Harness – 10 Foot	22, 51
338-3489-02	5-Wire – Remote Panel Harness – 25 Foot	22, 51
338-3490-01	Remote Panel Harness – 10 Foot	40, 52
338-3490-02	Remote Panel Harness – 30 Foot	40, 52
338-3513	New Generator Adapter Harness	23, 53
338-3514	New Remote Panel Adapter Harness.....	53
338-3526	Junction Harness	40
338-3572	Gasoline – Pigtail to Control Panel	23, 51
338-3573	Diesel – Pigtail to Control Panel	40, 51
338-3673	Part Only – Old Set to New Panel Adapter Harness	23
403-2689	Underfloor Mounting Kit	9

Part number	Description	Page
403-3630	Base Adapter Kit	14
403-3670	Underfloor Mounting Kit	13
405-4241	Housing Kit	14
405-6699	Underfloor Mounting Kit	27
416-0796	Battery	43
416-0823	Battery	43
539-0977	Underfloor Mount Template	8
539-1386	Compartment Mount Template	8
539-1535-01	Underfloor Mount Template	13
539-1546-01	Compartment Mount Template	13
539-1810	Floor Template	34
539-1918	Floor Template	34
539-2057	Compartment Mount Template paper	27
539-2152	Floor Template	34
539-4844	Floor Template	34
541-0333	Operator Panel	50
541-0530	Fuel Pump Kit	43
541-0531	Remote Air Cleaner Kit HDKAT, HDKAU	43
541-0564	Fuel Pump Kit	41
541-0608-01	Oil Drain and Other Accessory Kits	22
541-0919	Operator Panel Cable – 25 Foot	54
541-0932	Operator Panel Cable – 50 Foot	54
541-1002	EFI Fuel Pump Kit	26
541-1092	Single Phase Display Panel	19
541-1093	3 Phase Star Display Panel	19
541-1095	3 Phase Delta Display Panel	19
541-1330	Shunt Fuse Kit	54
541-1344	Power Unit CAN Cable – 30 Foot	54
541-1345	Power Unit CAN Cable – 50 Foot	54
541-1346	Transfer Switch CAN Cable – 15 Foot	54
541-1347	Transfer Switch CAN Cable – 30 Foot	54
541-1348	Secondary Inverter CAN Cable – 15 Foot	54
541-1349	Secondary Inverter CAN Cable – 3 Foot	54
541-1350	Shunt Cable Kit – 15 Foot	54
541-1351	Transfer Switch Load Demand Pigtail – 6 Inch	54
541-1378	Battery Save Pigtail – 6 Inch	54
541-1427	Power Unit CAN Cable – 60 Foot	54
699-00589	Switch Panel	45
699-00683	Regulator – 2 Stage w/Vent at 9 o'clock	57
699-00692	Flex Tube with 90° Bend 14 and Drain Kit	59
699-01000	Start/Stop Switch	50
699-01001	Start/Stop Switch	50
699-01048	Single Stage Regulator w/Vent at 6 o'clock	57
699-01049	Regulator – 2 Stage w/Vent at 6 o'clock	57

Part Number Index

Part number	Description	Page
699-01082	Compartment Slide Rail Set	28
699-01154	Flex Tube w/90° Bend – 8 Inch.....	59
699-01155	Flex Tube w/90° Bend – 12 Inch.....	59
699-01156	Flex Tube w/90° Bend – 16 Inch.....	59
699-01157	Flex Tube w/90° Bend – 24 Inch.....	59

Cummins Onan



Performance you rely on.™

Cummins Power Generation
1400 73rd Ave. NE
Minneapolis, MN 55432
USA
Phone 1 763 574 5000
Toll-free 1 800 888 6626
Fax 1 763 574 5298
Email www.cumminsonan.com/contact
www.cumminsonan.com

Cummins®, Onan® the “C” logo, and Performance you rely on™ are trademarks or registered trademarks of Cummins Inc.

Bulletin 5410865
©2008 Cummins Power Generation.
All Rights Reserved.