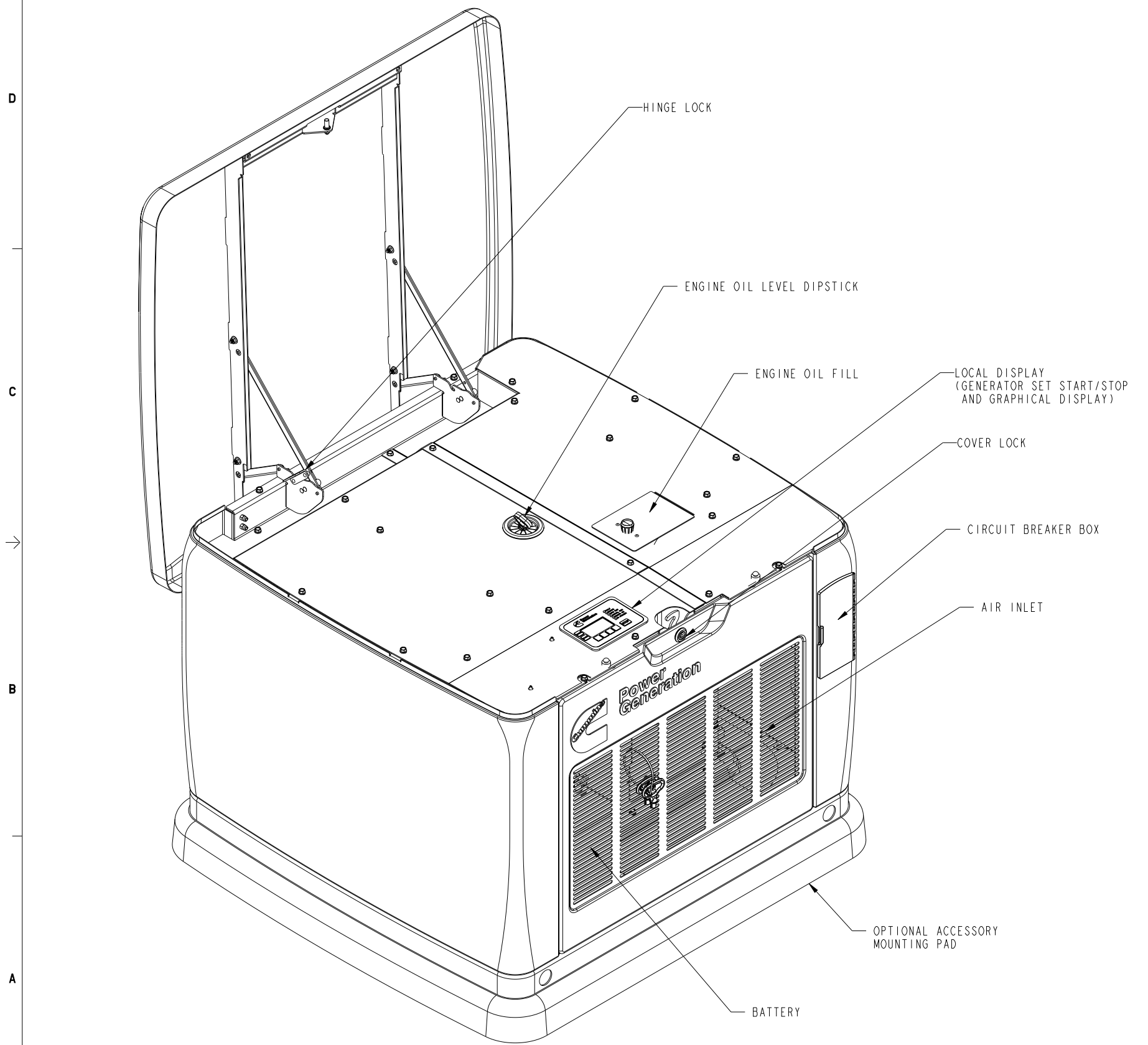


| REL NO | REV | NO | REVISION | DWN | CKD | APVD | DATE |
|------------|-----|----|-------------|-----|-----|----------|---------|
| ECO-165422 | D | 1 | SEE SHEET 2 | BE | BE | D.GILLET | 10OCT16 |
| | | | | | | | |

NOTES:

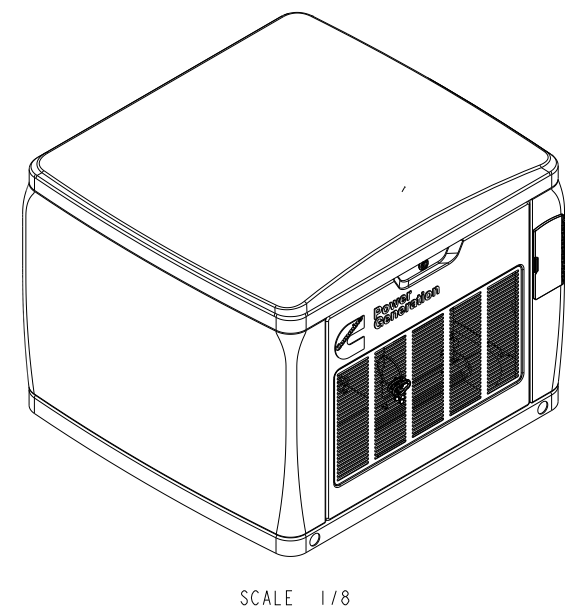
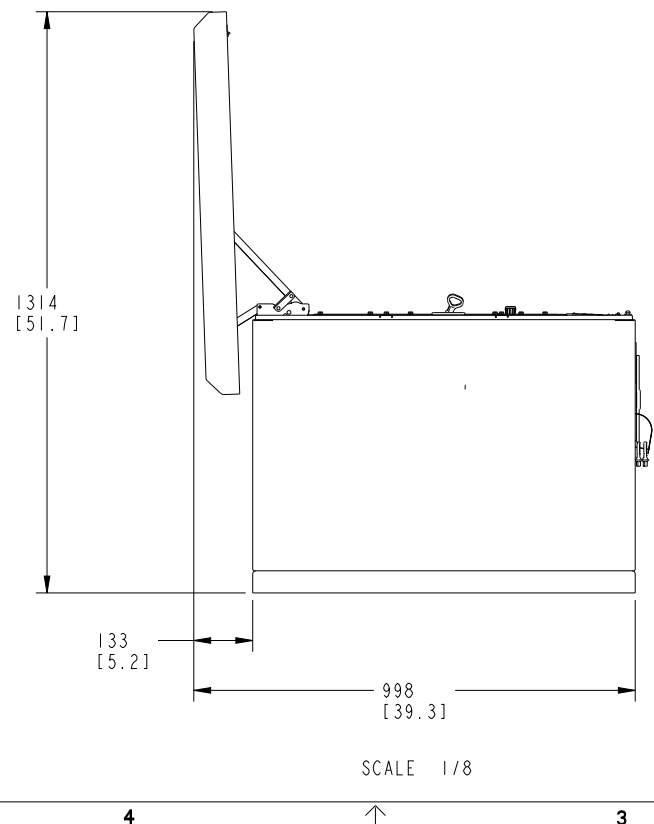
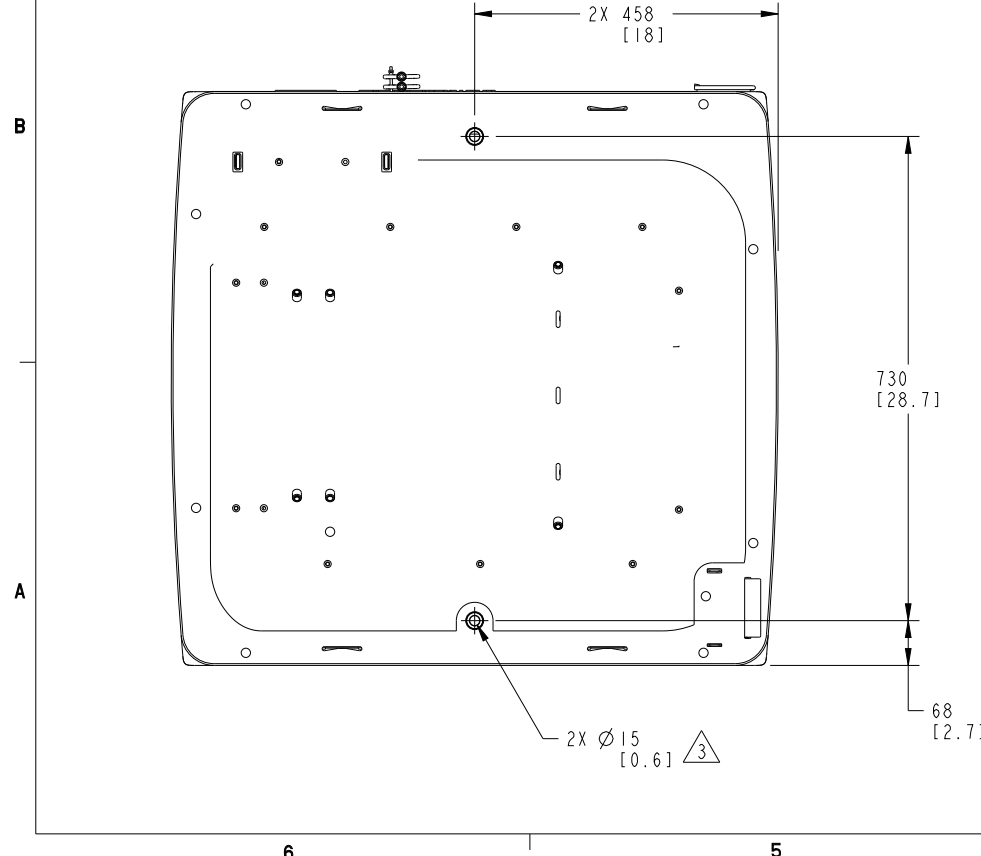
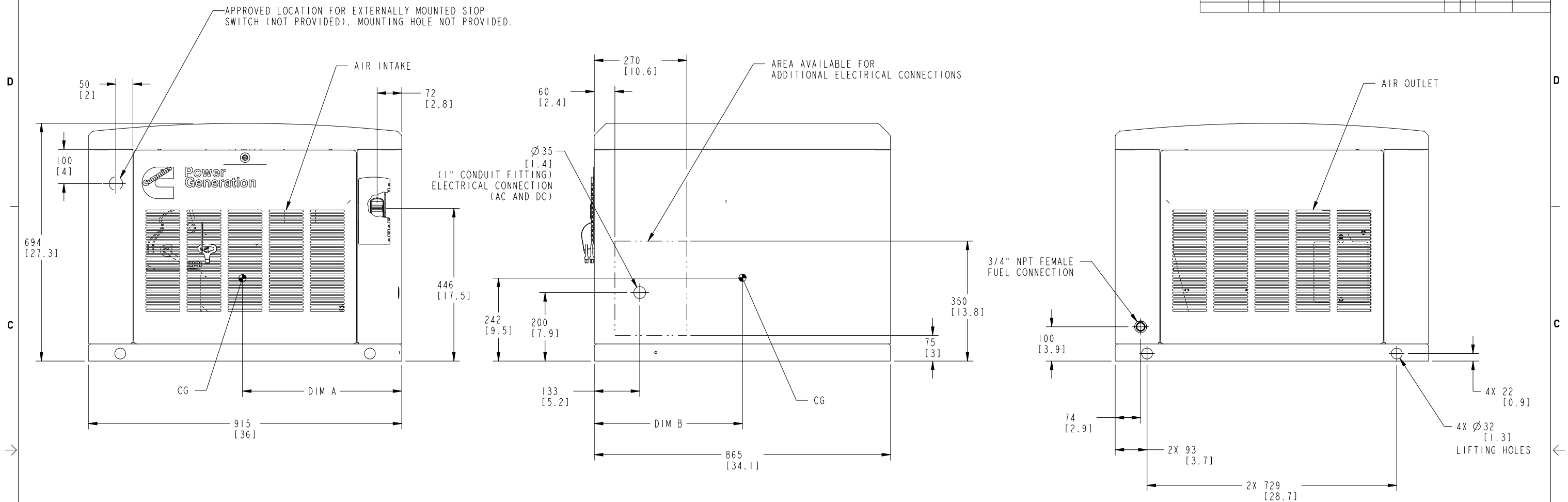
- DIMENSIONS SHOWN IN [] ARE IN INCHES.
- ELECTRICAL INTERFACE TO THE GENERATOR SET SHOULD BE WITH FLEXIBLE CONDUIT.
- 2X MOUNTING SLEEVES 55 [2.2] LONG WITH Ø15 [0.6] THROUGH HOLE ARE PROVIDED LOOSE FOR SECURING GENERATOR SET TO MOUNTING SURFACE.
- OIL DRAIN EXTENSION: 3/8 INCH ID HOSE.
- FUEL INTERFACE TO THE GENERATOR SET MUST BE WITH AGENCY APPROVED FLEXIBLE FUEL LINE.
- ACCESSORY MOUNTING PAD A052A795 APPROXIMATE WEIGHT 70 Kg (155 LB).

| MODEL | DIM A | DIM B | GENERATOR SET WEIGHT | |
|---------|-------|-------|----------------------|-----|
| | | | KG | LB |
| C13 N6H | 449 | 432 | 217 | 479 |
| C17 N6H | 465 | 432 | 241 | 531 |
| C20 N6H | 465 | 432 | 241 | 531 |



| | | | | | | |
|---|-------------------------|--|--------|------------------|-----------|--------------------------|
| UNLESS OTHERWISE SPECIFIED, ALL DIMENSIONS ARE IN MILLIMETERS | | | SIM TO | DWN R.WEHRBERG | | CUMMINS POWER GENERATION |
| DO NOT SCALE PRINT | | | | CKD E.NORDSTROM | | OUTLINE, GENSET |
| DIM | TOLERANCE | | | APVD E.NORDSTROM | SITE CODE | |
| X ± 1 | 0.00-4.99 +0.15/-0.08 | | | DATE 01DEC15 | | |
| .X ± 0.8 | 5.00-9.99 +0.20/-0.10 | | | | | |
| .XX ± 0.38 | 10.00-17.49 +0.25/-0.13 | | | | | |
| | 17.50-24.99 +0.30/-0.13 | | | | | |
| ANG TOL | SCALE | THIS DOCUMENT (AND THE INFORMATION SHOWN THEREON) IS CONFIDENTIAL AND PROPRIETARY AND SHALL NOT BE DISCLOSED TO OTHERS IN HARD COPY OR ELECTRONIC FORM, REPRODUCED BY ANY MEANS, OR USED FOR ANY PURPOSE WITHOUT WRITTEN CONSENT OF CUMMINS INC. | | FIRST USED ON | PGF | CAD SHEET |
| ± 1.0° | 3/16 | | | ARROW | D | 1 of 4 |
| | | | | | A053G027 | |

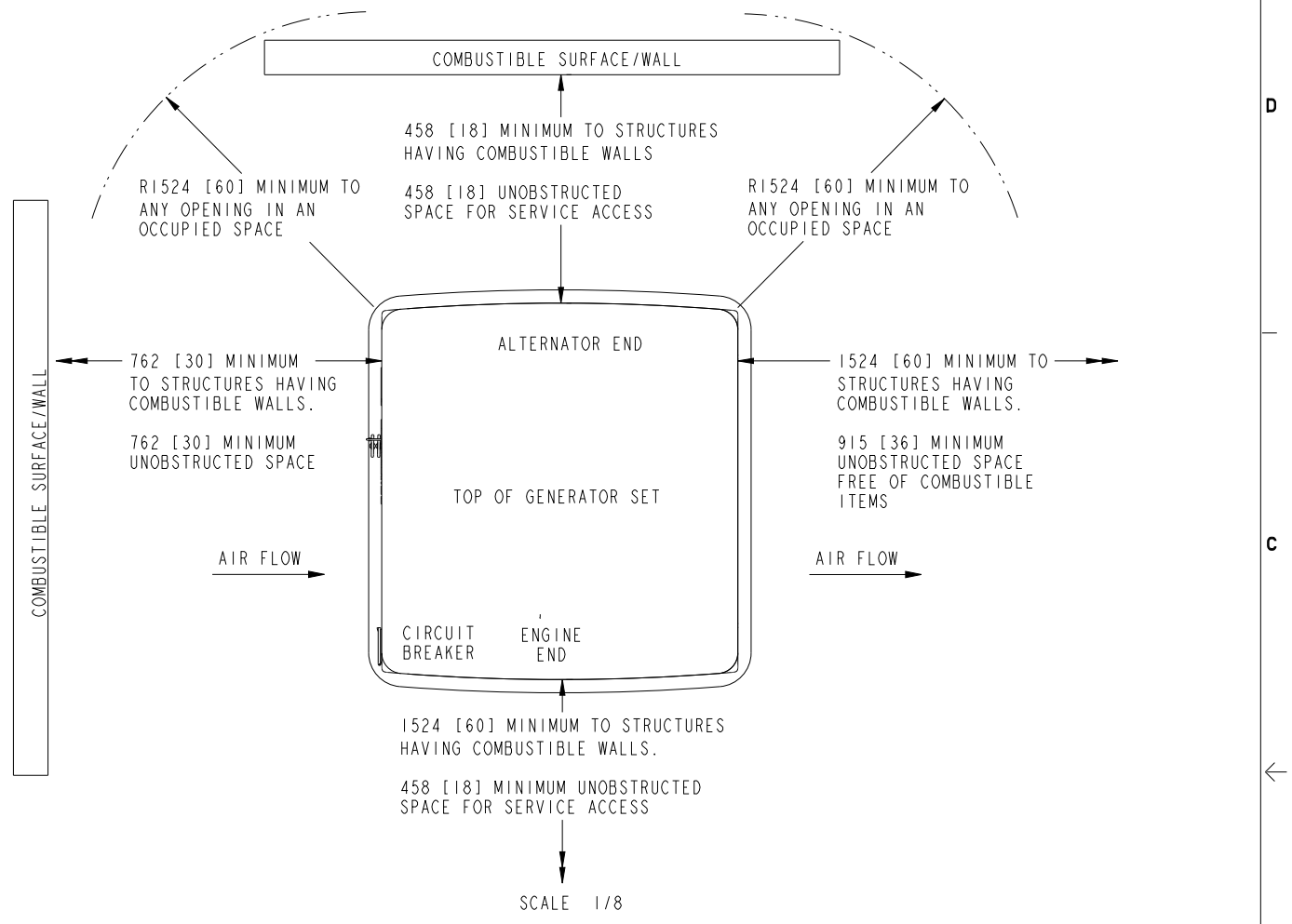
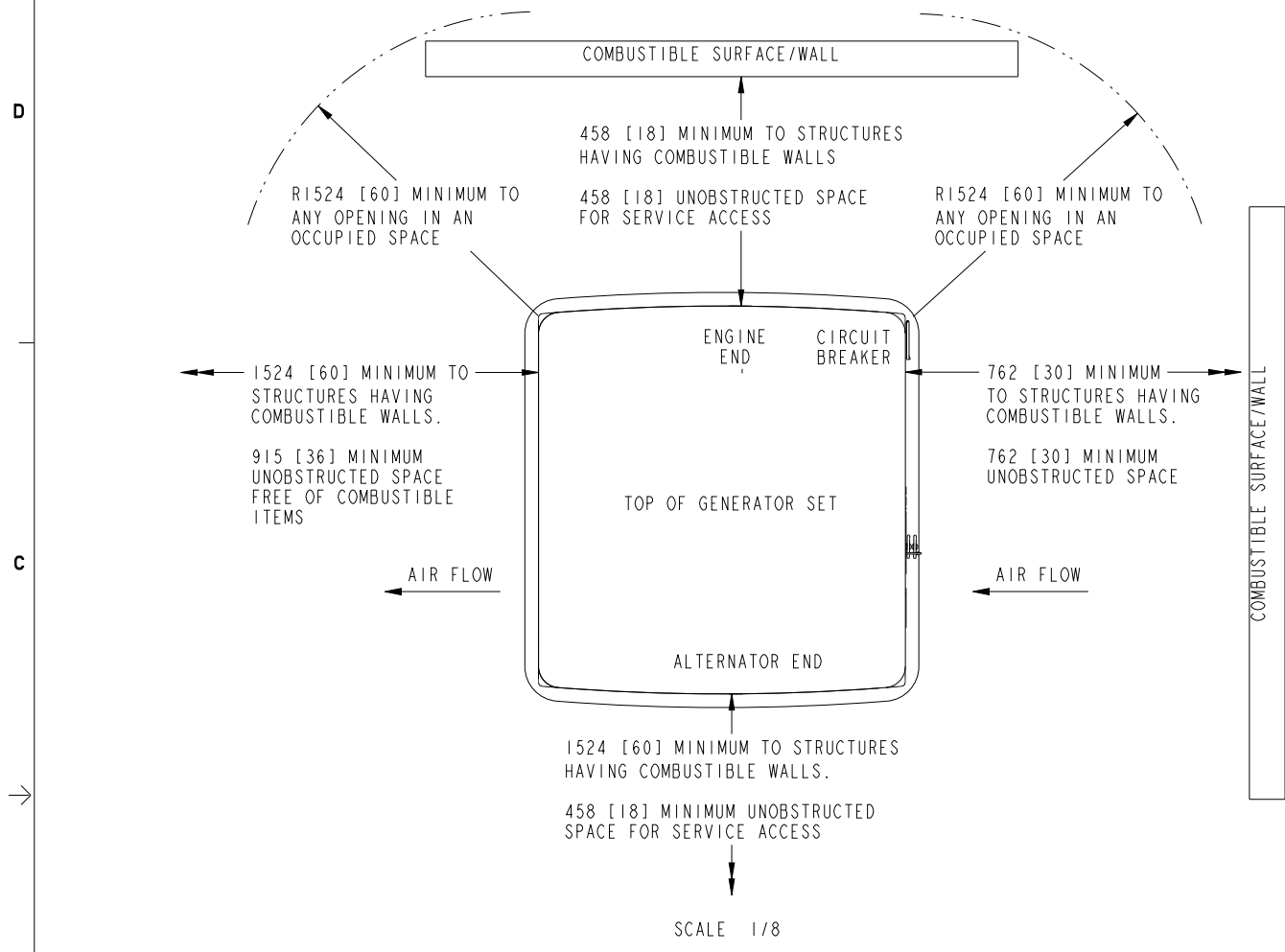
| REL NO | REV | NO | REVISION | DWN | CKD | APVD | DATE |
|------------|-----|----|--------------------------------------|-----|-----|----------|---------|
| ECO-165422 | D | 1 | ZONE D6-ADD STOP SWITCH LOC AND DIMS | BE | BE | D.GILLET | 10OCT16 |
| | | | | | | | |
| | | | | | | | |



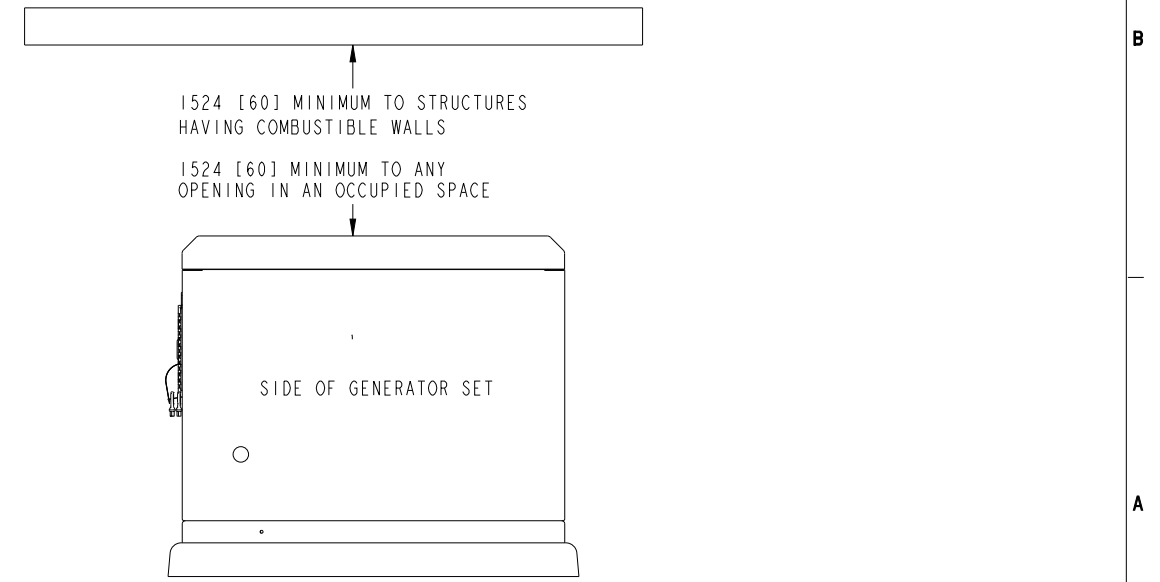
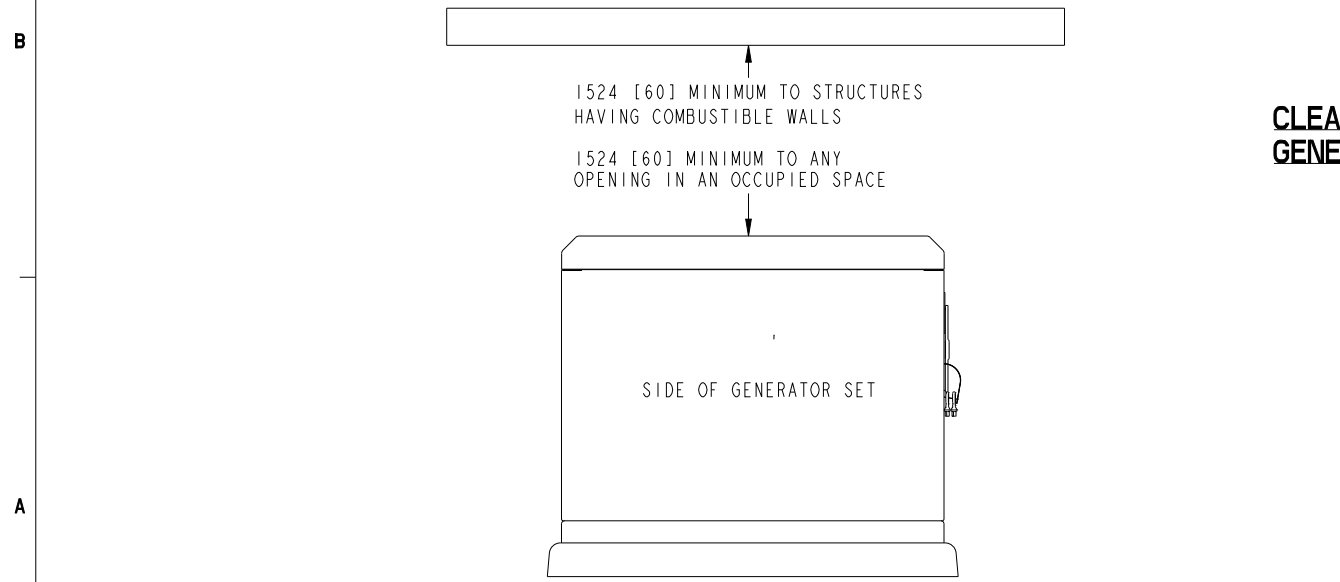
SCALE 1/8

| | | | | | | | | | | | | | |
|---|-------------------------|--|-----------------|------------------------|--------------------------|------------------------|------------|-------------------------|--|-------------------------|------------------|-----------|--|
| UNLESS OTHERWISE SPECIFIED, ALL DIMENSIONS ARE IN MILLIMETERS | | SHW TO | DWN R_WEHREBERG | | CUMMINS POWER GENERATION | | | | | | | | |
| DO NOT SCALE PRINT | | | CKD E_NORDSTROM | | OUTLINE, GENSET | | | | | | | | |
| DIM | TOL | <table border="1"> <tr> <td>X ± 1</td> <td>0.00- 4.99 +0.15/-0.08</td> </tr> <tr> <td>.X ± 0.8</td> <td>5.00- 9.99 +0.20/-0.10</td> </tr> <tr> <td>.XX ± 0.38</td> <td>10.00-17.49 +0.25/-0.13</td> </tr> <tr> <td></td> <td>17.50-24.99 +0.30/-0.13</td> </tr> </table> | X ± 1 | 0.00- 4.99 +0.15/-0.08 | .X ± 0.8 | 5.00- 9.99 +0.20/-0.10 | .XX ± 0.38 | 10.00-17.49 +0.25/-0.13 | | 17.50-24.99 +0.30/-0.13 | APVD E_NORDSTROM | SITE CODE | |
| X ± 1 | 0.00- 4.99 +0.15/-0.08 | | | | | | | | | | | | |
| .X ± 0.8 | 5.00- 9.99 +0.20/-0.10 | | | | | | | | | | | | |
| .XX ± 0.38 | 10.00-17.49 +0.25/-0.13 | | | | | | | | | | | | |
| | 17.50-24.99 +0.30/-0.13 | | | | | | | | | | | | |
| ANG TOL | SCALE | THIS DOCUMENT (AND THE INFORMATION SHOWN THEREON) IS CONFIDENTIAL AND PROPRIETARY AND SHALL NOT BE DISCLOSED TO OTHERS IN HARD COPY OR ELECTRONIC FORM, REPRODUCED BY ANY MEANS, OR USED FOR ANY PURPOSE WITHOUT WRITTEN CONSENT OF CUMMINS INC. | DATE 01DEC15 | PGF | | | | | | | | | |
| ± 1.0° | 3/16 | FOR INTERPRETATION OF DIMENSIONING AND TOLERANCING, SEE ASME Y14.5-2009 | ARROW | D | A053G027 | | | | | | | | |
| | | | | | CAD SHEET 2 of 4 | | | | | | | | |

| REL NO | REV | NO | REVISION | DWN | CKD | APVD | DATE |
|------------|-----|----|----------|-----|-----|-----------|---------|
| ECO-165422 | D | - | --- | BE | BE | D. GILLET | 10OCT16 |
| | | | | | | | |

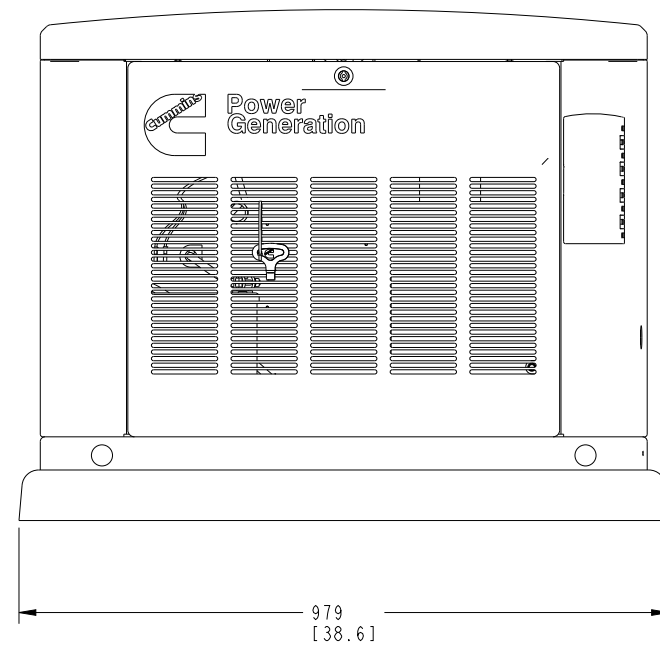
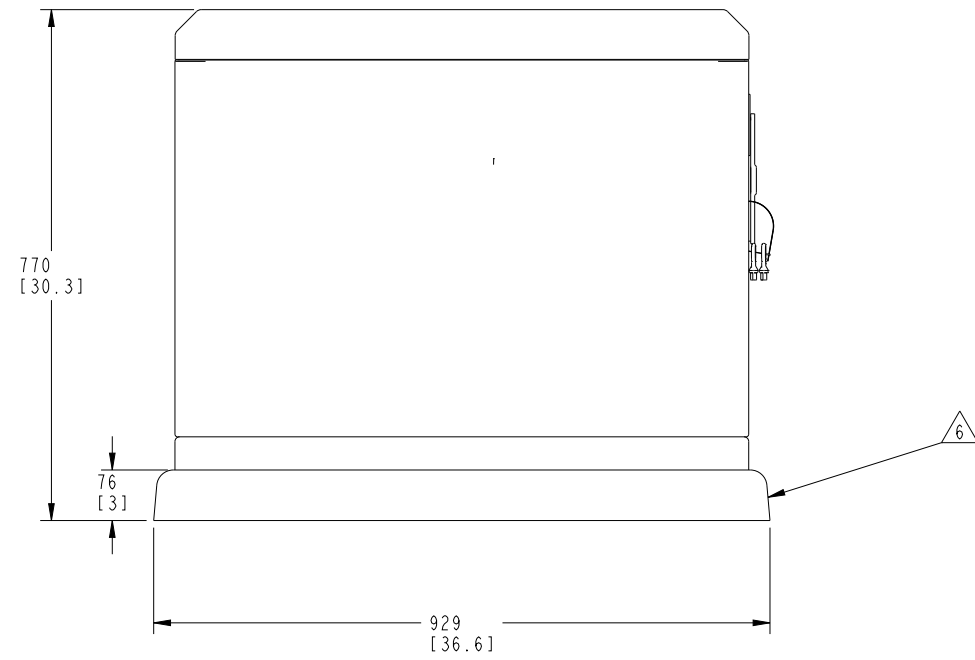


CLEARANCE REQUIREMENTS FOR GENERATOR SET INSTALLATIONS



| | | | | | | | | | | | | | |
|---|---------------------------|--|------------------|-------------------------|--------------------------|-------------------------|------------|---------------------------|--|---------------------------|-------------------|-----------|--|
| UNLESS OTHERWISE SPECIFIED, ALL DIMENSIONS ARE IN MILLIMETERS | | SHW TO | DWN R. WEHREBERG | | CUMMINS POWER GENERATION | | | | | | | | |
| DO NOT SCALE PRINT | | | CKD E. NORDSTROM | | OUTLINE, GENSET | | | | | | | | |
| DIM | TOLERANCE | <table border="1"> <tr> <td>X ± 1</td> <td>0.00 - 4.99 +0.15/-0.08</td> </tr> <tr> <td>.X ± 0.8</td> <td>5.00 - 9.99 +0.20/-0.10</td> </tr> <tr> <td>.XX ± 0.38</td> <td>10.00 - 17.49 +0.25/-0.13</td> </tr> <tr> <td></td> <td>17.50 - 24.99 +0.30/-0.13</td> </tr> </table> | X ± 1 | 0.00 - 4.99 +0.15/-0.08 | .X ± 0.8 | 5.00 - 9.99 +0.20/-0.10 | .XX ± 0.38 | 10.00 - 17.49 +0.25/-0.13 | | 17.50 - 24.99 +0.30/-0.13 | APVD E. NORDSTROM | SITE CODE | |
| X ± 1 | 0.00 - 4.99 +0.15/-0.08 | | | | | | | | | | | | |
| .X ± 0.8 | 5.00 - 9.99 +0.20/-0.10 | | | | | | | | | | | | |
| .XX ± 0.38 | 10.00 - 17.49 +0.25/-0.13 | | | | | | | | | | | | |
| | 17.50 - 24.99 +0.30/-0.13 | | | | | | | | | | | | |
| ANG TOL | SCALE | <small>THIS DOCUMENT (AND THE INFORMATION SHOWN THEREON) IS CONFIDENTIAL AND PROPRIETARY AND SHALL NOT BE DISCLOSED TO OTHERS IN HARD COPY OR ELECTRONIC FORM, REPRODUCED BY ANY MEANS, OR USED FOR ANY PURPOSE WITHOUT WRITTEN CONSENT OF CUMMINS INC.</small> | DATE 01DEC15 | PGF | CAD SHEET | | | | | | | | |
| ± 1.0° | 3/16 | ARROW | | D | A053G027 | | | | | | | | |
| | | | | | 3 of 4 | | | | | | | | |

| REL NO | REV | NO | REVISION | DWN | CKD | APVD | DATE |
|------------|-----|----|----------|-----|-----|-----------|---------|
| ECO-165422 | D | - | --- | BE | BE | D. GILLET | 10OCT16 |
| | | | | | | | |
| | | | | | | | |



| UNLESS OTHERWISE SPECIFIED, ALL DIMENSIONS ARE IN MILLIMETERS | | | | SHEET NO. | | DWN | | CUMMINS POWER GENERATION | | | | | |
|---|------------|-------|---------------------------|--|--|---------------|-------|--------------------------|-----------------|-----------|----------|-----------|--------|
| DIM | X ± 1 | TOL | 0.00 - 4.99 +0.15/-0.08 | DO NOT SCALE PRINT | | R_WEHREBERG | | | OUTLINE, GENSET | | | | |
| | .X ± 0.8 | | 5.00 - 9.99 +0.20/-0.10 | | | E_NORDSTROM | | | | | | | |
| | .XX ± 0.38 | | 10.00 - 17.49 +0.25/-0.13 | | | E_NORDSTROM | | | | | | | |
| | | | 17.50 - 24.99 +0.30/-0.13 | | | DATE 01DEC15 | | | | | | | |
| ANG TOL | ± 1.0° | SCALE | 3/16 | THIS DOCUMENT (AND THE INFORMATION SHOWN THEREON) IS CONFIDENTIAL AND PROPRIETARY AND SHALL NOT BE DISCLOSED TO OTHERS IN HARD COPY OR ELECTRONIC FORM, REPRODUCED BY ANY MEANS, OR USED FOR ANY PURPOSE WITHOUT WRITTEN CONSENT OF CUMMINS INC. FOR INTERPRETATION OF DIMENSIONING AND TOLERANCING, SEE ASME Y14.5-2009 | | FIRST USED ON | ARROW | PGF | | SITE CODE | A053G027 | CAD SHEET | 4 of 4 |

Part A053G027 D

| Description | Legacy Name | External Regulations | Application Status | Release Phase Code | Security Classification | Alternates |
|----------------|-------------|-------------------------------|--------------------|--------------------|-------------------------|------------|
| OUTLINE,GENSET | A053G027 | No External Regulations Apply | Production Only | Production | Confidential | |

Part Specifications :A053G027 D

| Name | Description | Legacy Name |
|----------|------------------------|-------------|
| A030B356 | SPECIFICATION,MATERIAL | CES10903 |
| A053G028 | DRAWING,ENGINEERING | A053G028 |