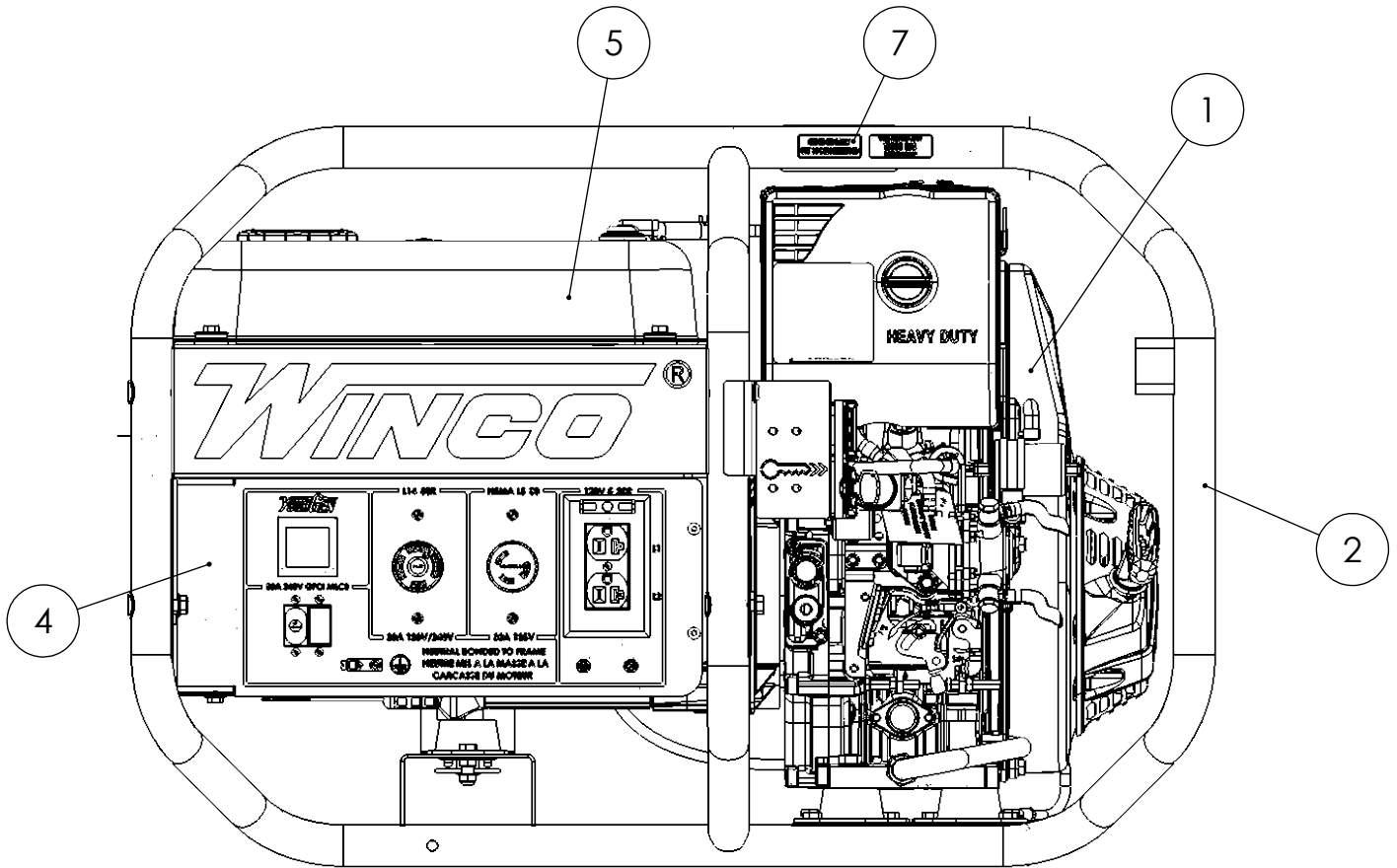


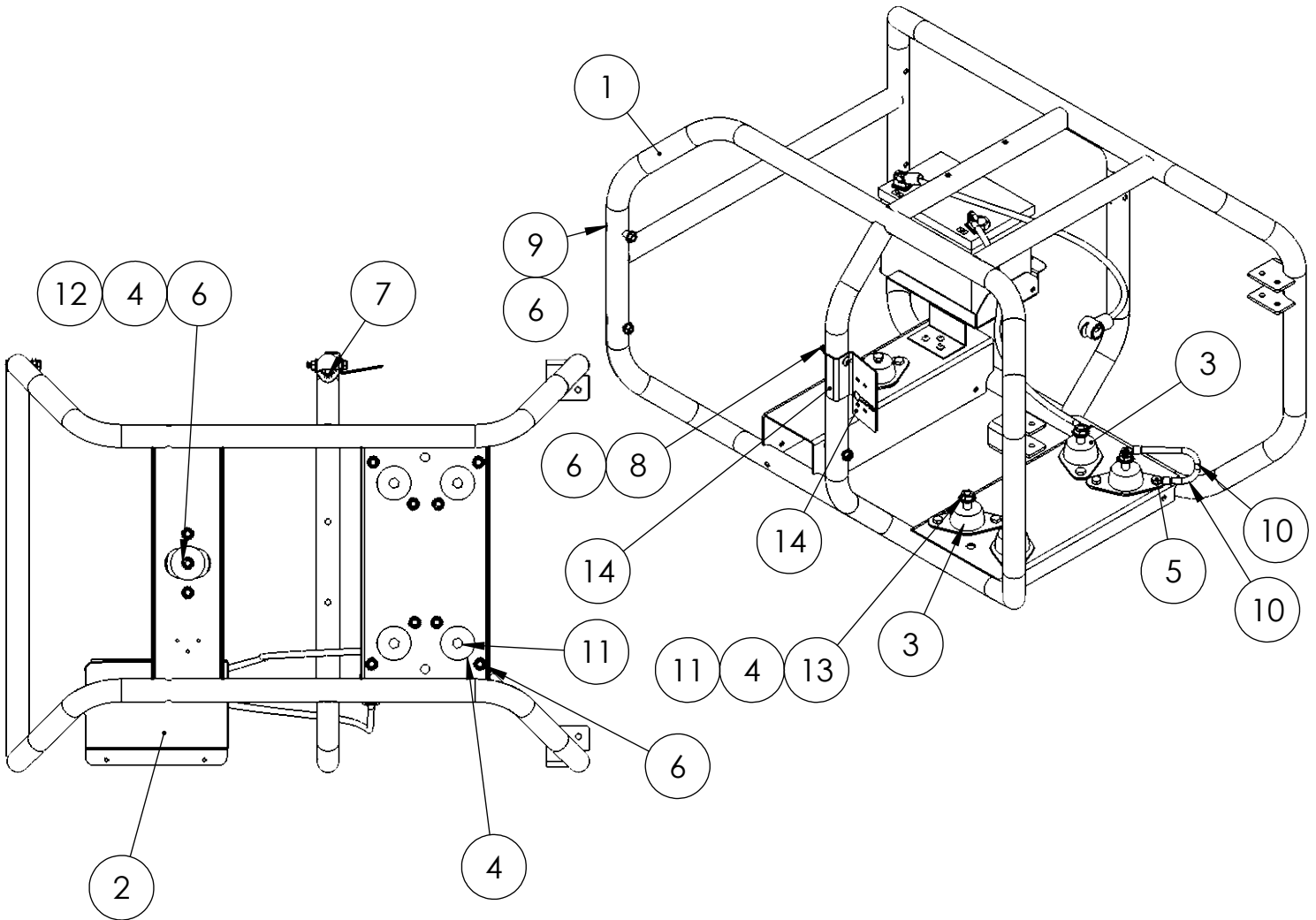
**WINCO Service**  
Phone: 507-357-6831  
Email: [service@wincogen.com](mailto:service@wincogen.com)  
[www.wincogen.com](http://www.wincogen.com)

# General Assembly



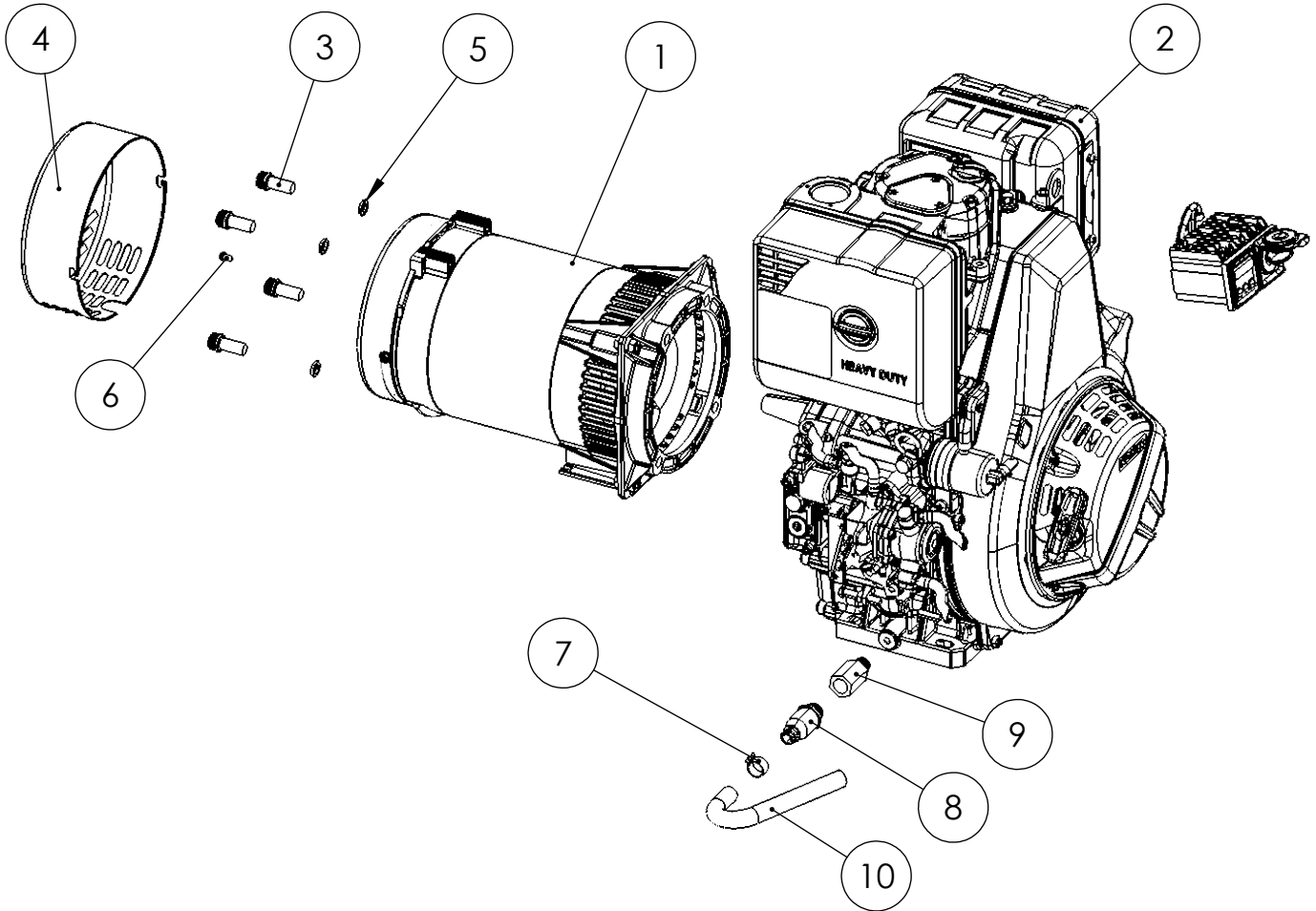
ITEM NO.	PART NUMBER	DESCRIPTION	QTY.
1	18000-068	ENGINE AND GENERATOR ASSEMBLY	1
2	18000-020	CRADLE ASSEMBLY	1
3	18000-021	SHEET METAL KIT	1
4	15457-076	RECEPTACLE ASSEMBLY	1
5	15163-097	FUEL SYSTEM ASSEMBLY	1
6	300144-18	LIFTING EYE ASSEMBLY	1
7	15715-088	DECAL KIT	1
8	OPM-125	OPERATORS MANUAL W6010DE	1
9	300515-30	5W-30 OIL PER GALLON	0.335
10	16505-021	LABEL	1

# Cradle Assembly



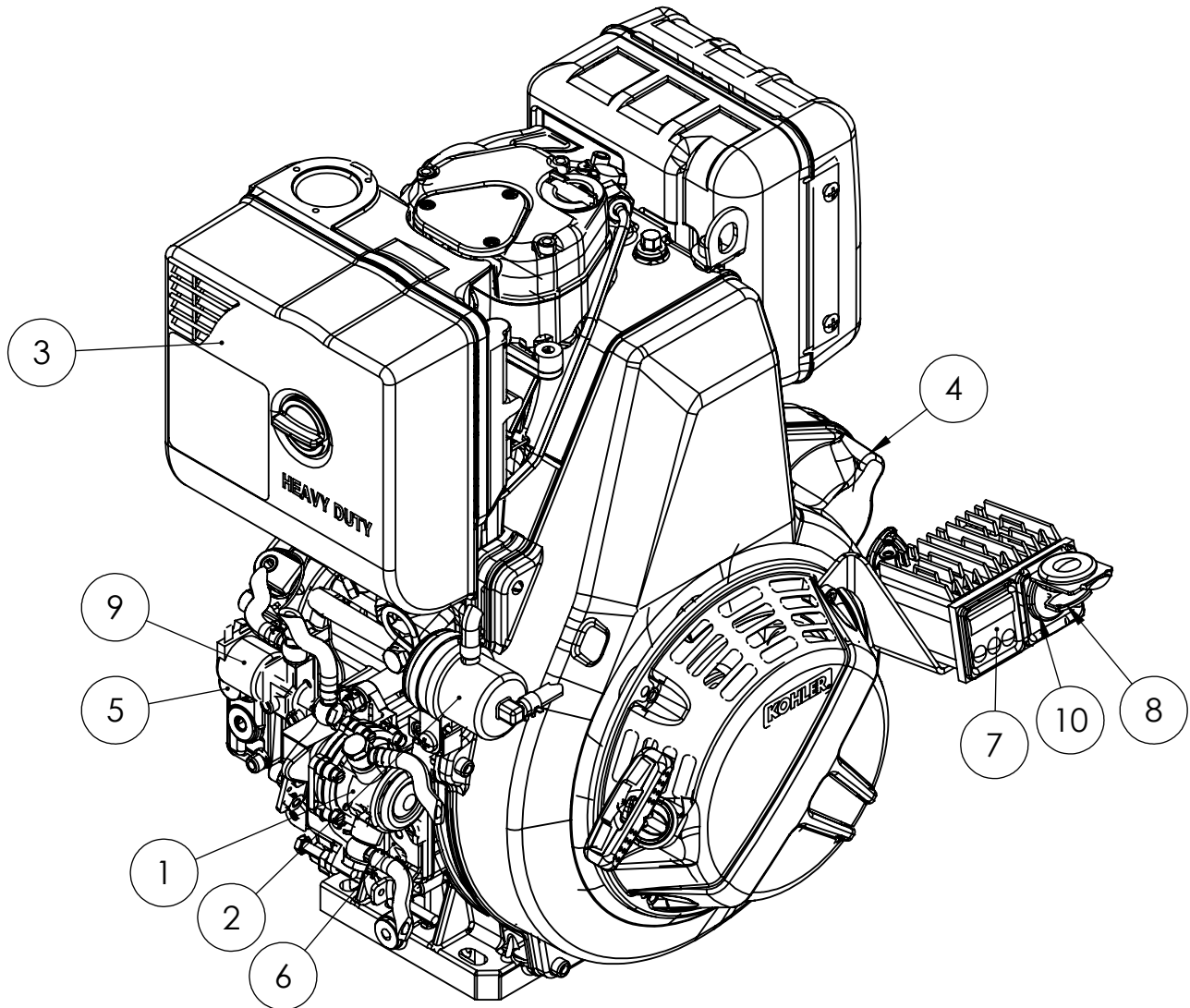
ITEM NO.	PART NUMBER	DESCRIPTION	QTY.
1	63073-054	WELDED FRAME	1
2	16175-031	BATTERY ASSEMBLY	1
3	98807-002	SHOCK MOUNT	5
4	98806-000	WASHER .406 X 2	5
5	467-000	HHCS 5/16-18X.75	10
6	16249-000	.3125-18 FLANGE	15
7	21698-001	TORX PAN HEAD SCREW #10	1
8	64858-005	BHSCS 5/16-18 X 2.00	1
9	23590-002	CURVED HEAD BOLT 5/16-18 X 1 3/4	3
10	9769-155	LEADWIRE ASSEMBLY (GROUND)	1
11	91658-008	HHCS 3/8-16X2-3/4 GR5	4
12	471-000	5/16-18 X 2.25	1
13	16250-000	.375-16 FLANGE NUT	4
14	15799-006	KEY START BRACKET	1

# Engine & Generator Assembly



ITEM NO.	PART NUMBER	DESCRIPTION	QTY.
1	16346-006	MECC ALTE S16W-130	1
2	300116-7	ENGINE, KOHLER, PA-KD440-6001A	1
3	93704-000	SOC.HCS 3/8-16X1	4
4	16346-021	S16W-130/A GEN END COVER	1
5	481-000	LOCK 3/8 SPLIT	4
6	82539-001	SELF TAP.SC.6X3/8	1
7	62999-004	HOSE CLAMP .69 OD	1
8	300349	OIL DRAIN VALVE	1
9	300349-1	OIL DRAIN ADAPTER	1
10	62286-012	HOSE, 1/2"ID NEOPRENE	1

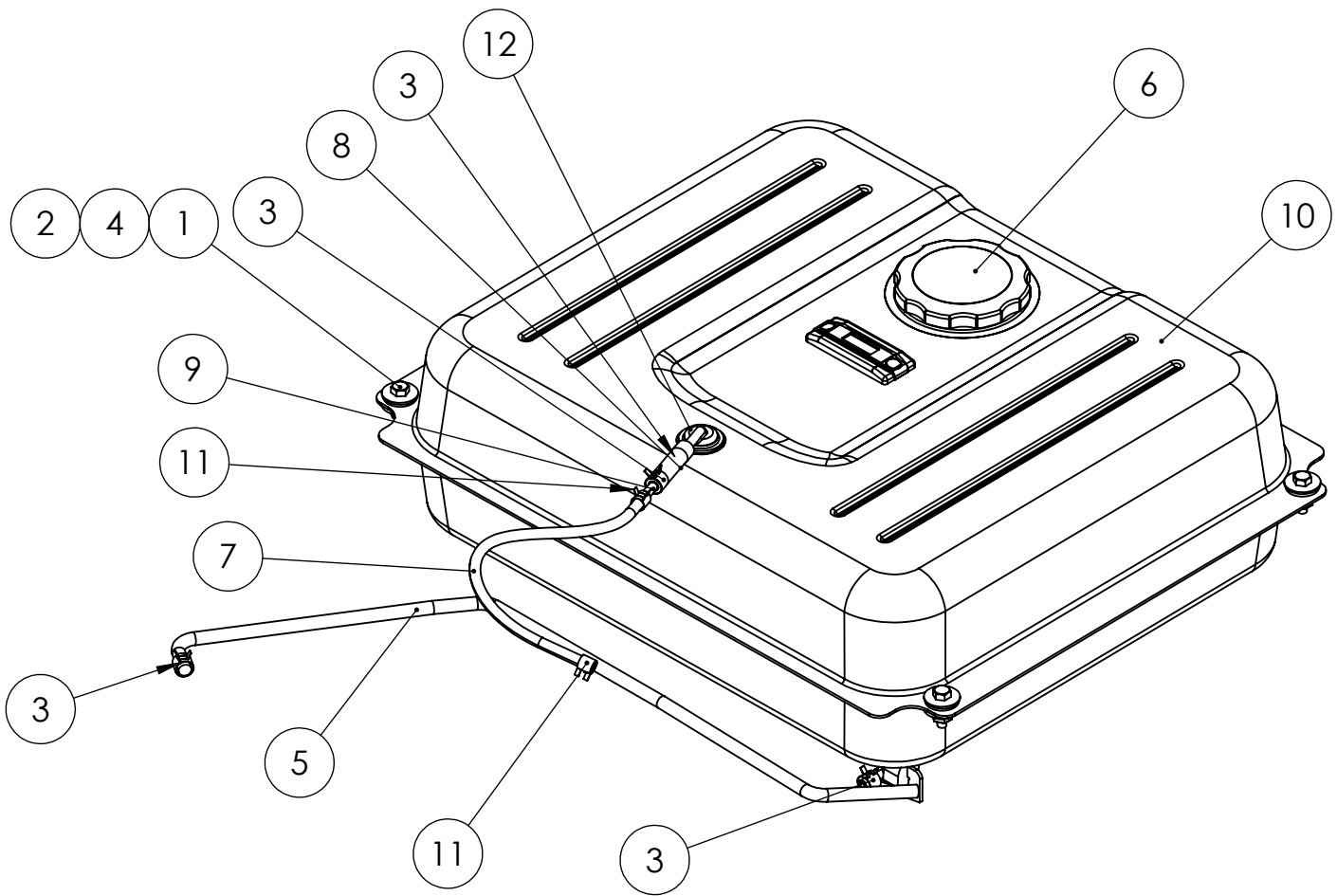
# Engine Parts



ITEM	PART	DESCRIPTION	QTY
1	3-100	FUEL FILTER	1
2	3-101	FUEL PUMP	1
3	3-102	AIR FILTER ELEMENT	1
4	3-103	STARTER MOTOR	1
5	3-104	OIL PRESSURE SWITCH	1
6	3-105	OIL FILTER (INTERNAL TO BLOCK)	1
7	3-106	CONTROL PANEL (WITH KEY)	1
8	3-107	START KEY	1
9	3-108	FUEL SOLENOID	1
10	3-122	KEY SWITCH	1

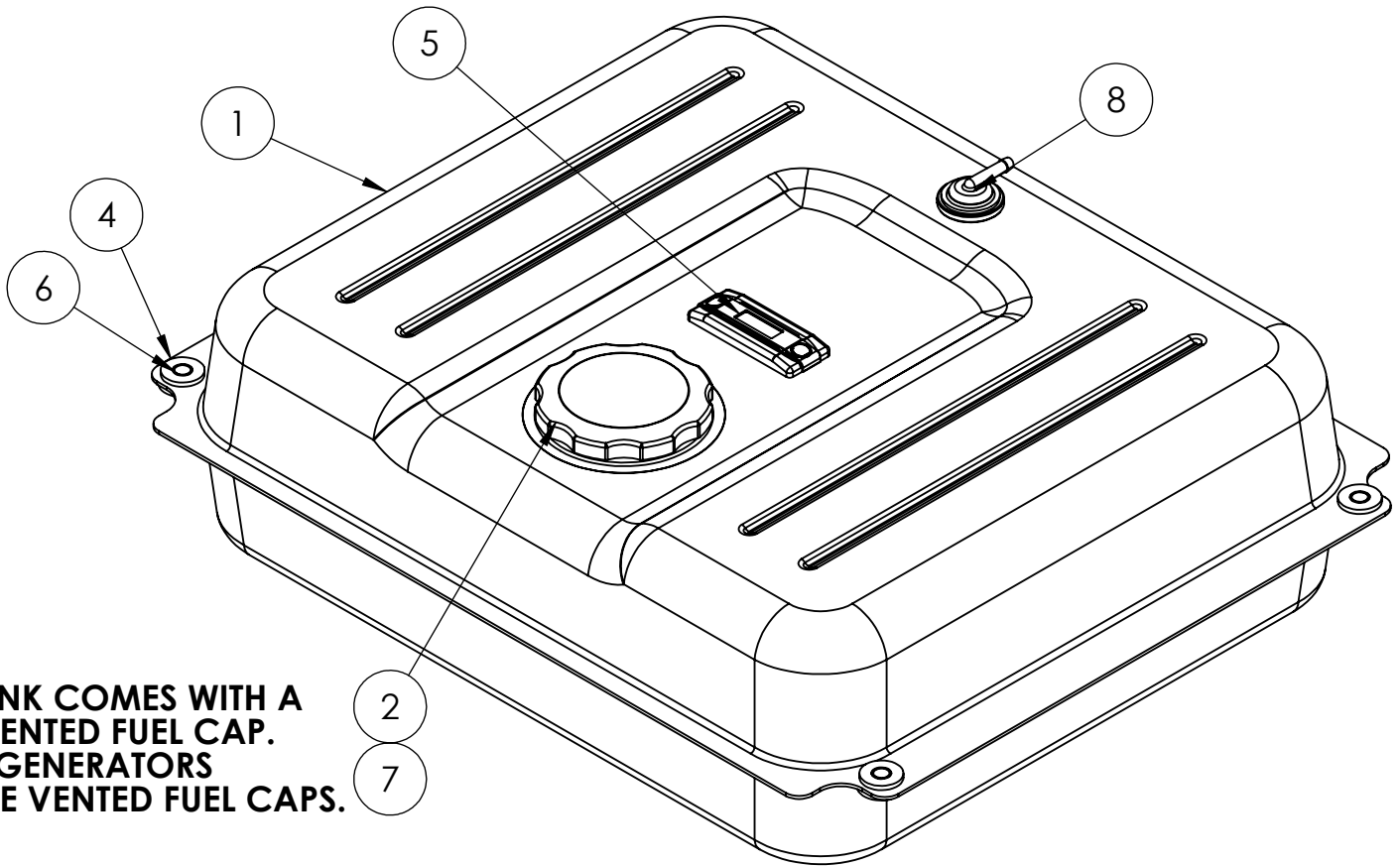
Contact service for other engine parts as needed.

# Fuel System

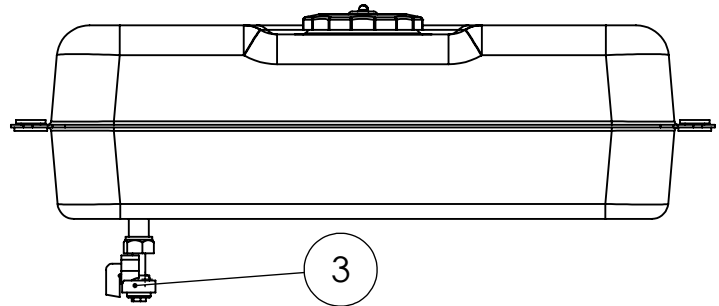
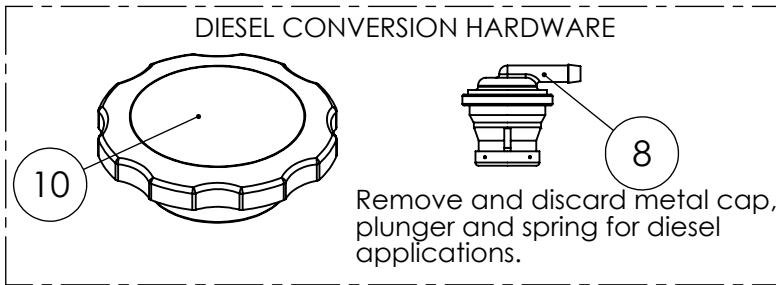
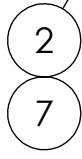


ITEM NO.	PART NUMBER	DESCRIPTION	QTY.
1	439-000	.25-20 X 1 HHB	4
2	16248-000	.25-20 FLANGE NUT	4
3	62999-001	HOSE CLAMP .5 OD RED	4
4	267-002	FLAT WSH 9/32X1X.063	4
5	40078-018	HOSE 0.25 ID 26 IN	1
6	64024-410	VENTED FUEL CAP LD-C001	1
7	40077-013	3/16 ID RUBBER HOSE 18 IN	1
8	40078-033	HOSE .25ID RUBBER 2IN	1
9	98590-002	HOSE REDUCER 1/4X3/16 (SCP)	1
10	64024-013	FUEL TANK 7 GAL. STEEL GASOLINE	1
11	62999-005	HOSE CLAMP .41 OD GREEN	2
12	80903-002	SLOSH VALVE STANT HIGH FLOW W/ GROMMET 29.5MM HOLE	1

# Fuel Tank

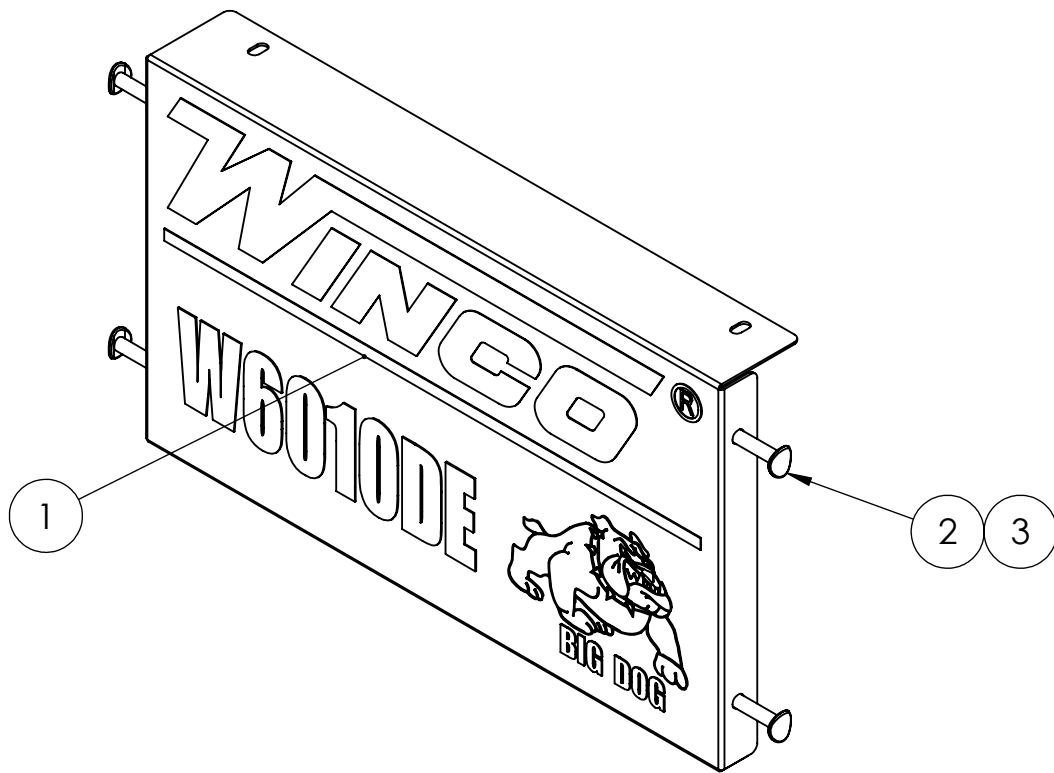


**THIS TANK COMES WITH A NON-VENTED FUEL CAP. DIESEL GENERATORS REQUIRE VENTED FUEL CAPS.**



ITEM NO.	PART NUMBER	DESCRIPTION	QTY
1	64024-013	FUEL TANK 7 GAL STEEL GASOLINE	1
2	64024-401	FUEL CAP, SEALED, AUDIBLE, TETHERED	1
3	64024-404	FUEL CONTROL VALVE	1
4	64024-406	RUBBER BUSHING	4
5	64024-402	FUEL LEVEL GAUGE	1
6	64024-405	ANTI-CRUSH INSERT	4
7	64024-403	FUEL FILL FILTER	1
ALL ITEMS LISTED IN THE ABOVE TABLE ARE INCLUDED WITH A 64024-013 FUEL TANK PURCHASE			
8	80903-002	SLOSH VALVE STANT HIGH FLOW W/ GROMMET 29.5MM HOLE	1
9	62273-262	TOUCH UP PAINT BLACK	1
10	64024-410	FUEL CAP, VENTED, AUDIBLE	1

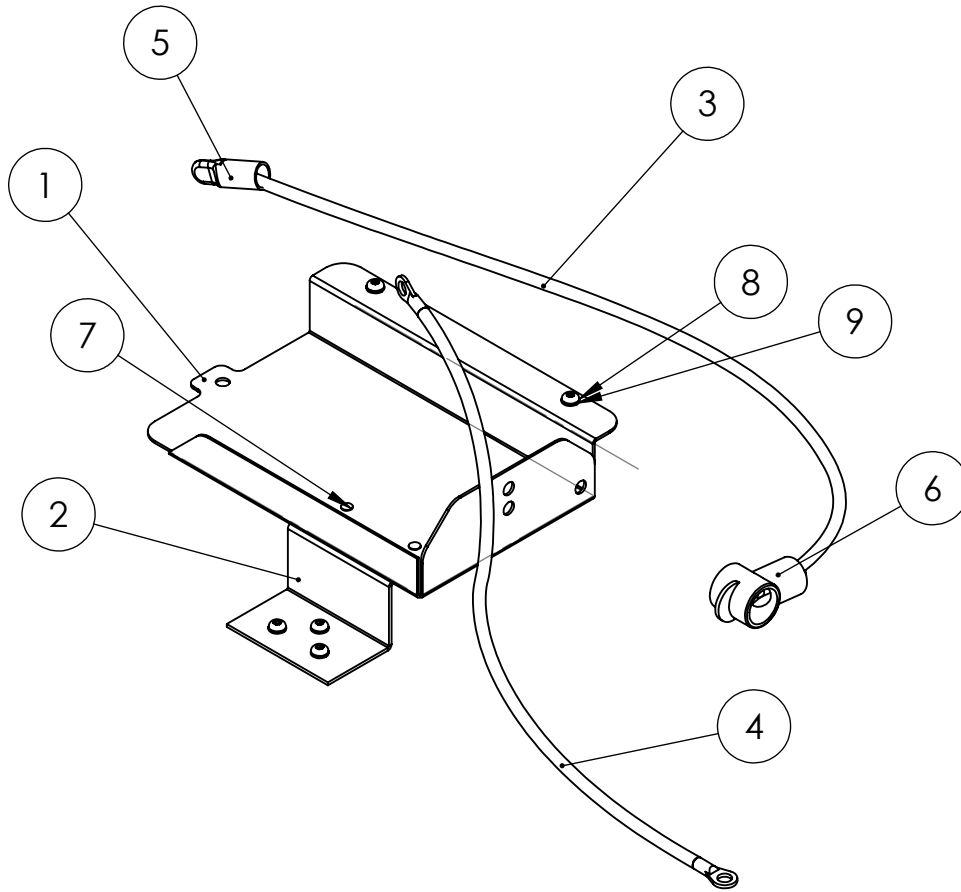
# Sheet Metal Kit



ITEM NO.	PART NUMBER	DESCRIPTION	QTY.
1	300216-260	LEFT SIDE PANEL	1
2	23590-002	CURVED HEAD BOLT 5/16-18 X 1 3/4	4
3	16249-000	.3125-18 FLANGE	4

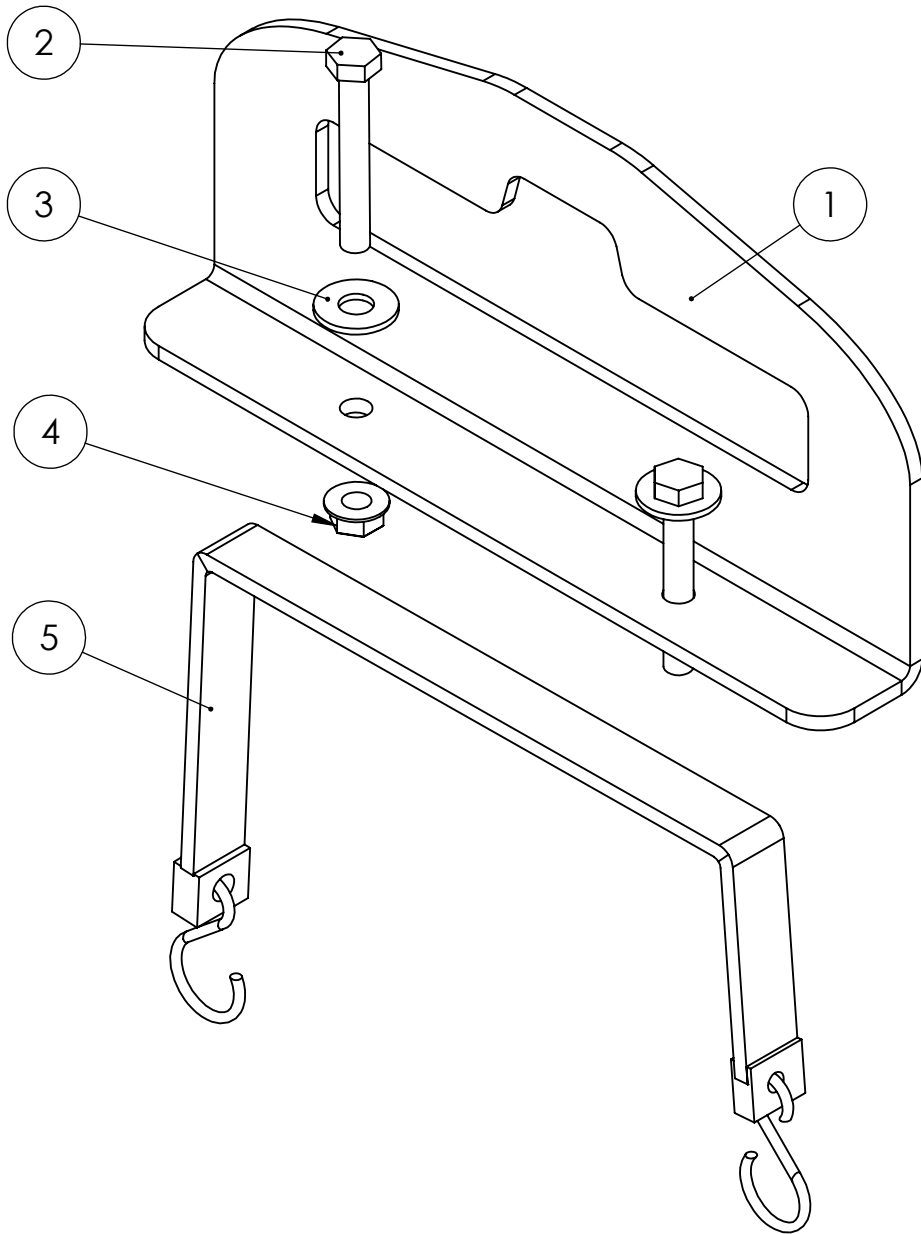


# Battery Tray



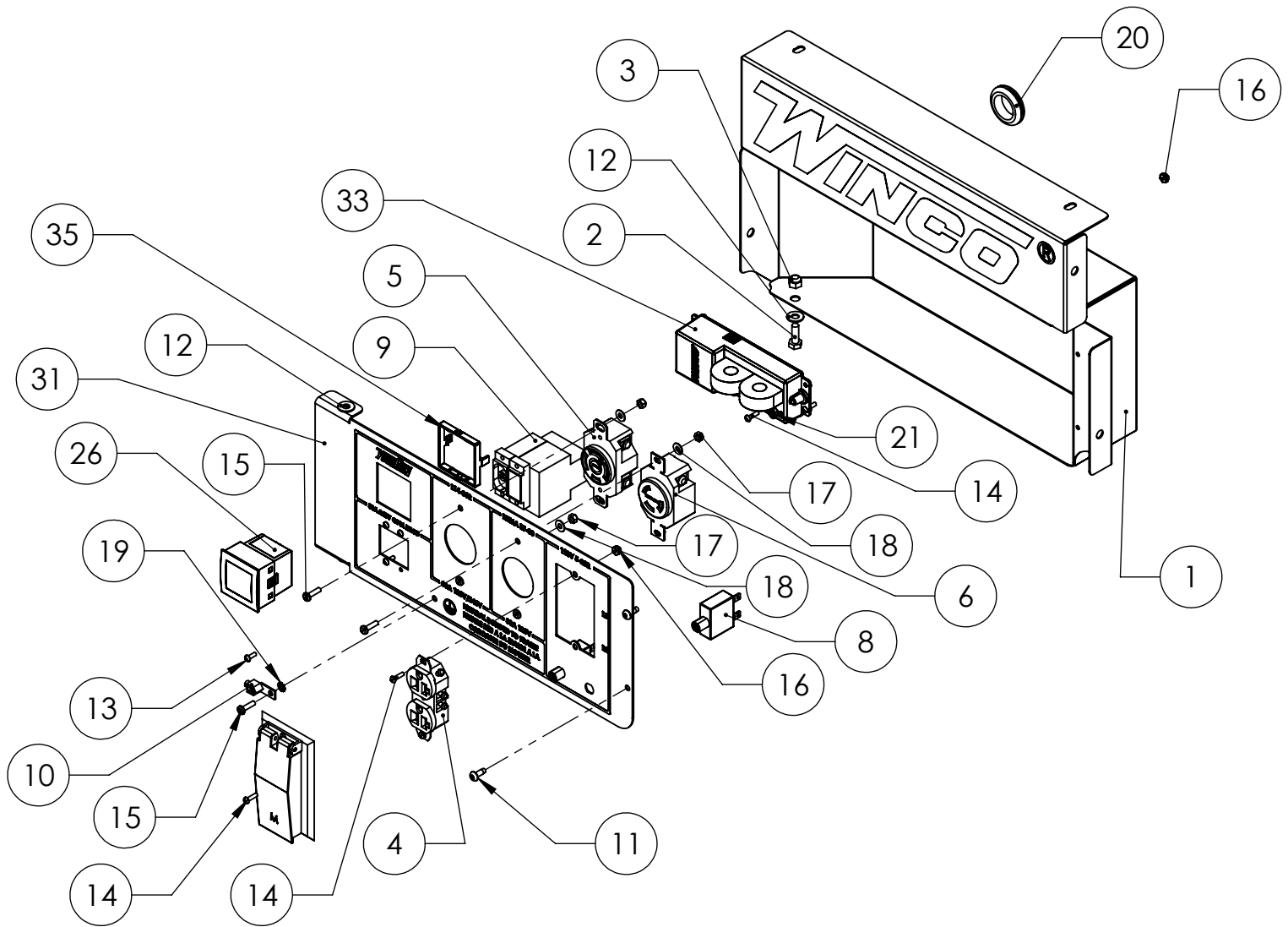
ITEM NO.	PART NUMBER	DESCRIPTION	QTY.
1	15676-017	BATTERY TRAY	1
2	16336-009	BATTERY SUPPORT	1
3	15767-004	POS BATTERY CABLE	1
4	15767-003	NEG BATTERY CABLE	1
5	16234-000	CAP PLUG	1
6	16145-000	INSULATOR, TERMINAL	1
7	95568-000	THREAD STUD 10-24 X .625	2
8	21698-001	TORX PAN HEAD SCREW #10	5
9	96286-002	FLAT WASHER NYLON	5

# Lifting Eye



ITEM NO.	PART NUMBER	DESCRIPTION	QTY.
1	300148-24	LIFTING EYE	1
2	471-000	5/16-18 X 2.25	2
3	526-000	WASHER ID .375 OD .890	2
4	16249-000	.3125-18 FLANGE	2
5	16329-000	BATTERY TIE DOWN STRAP	1

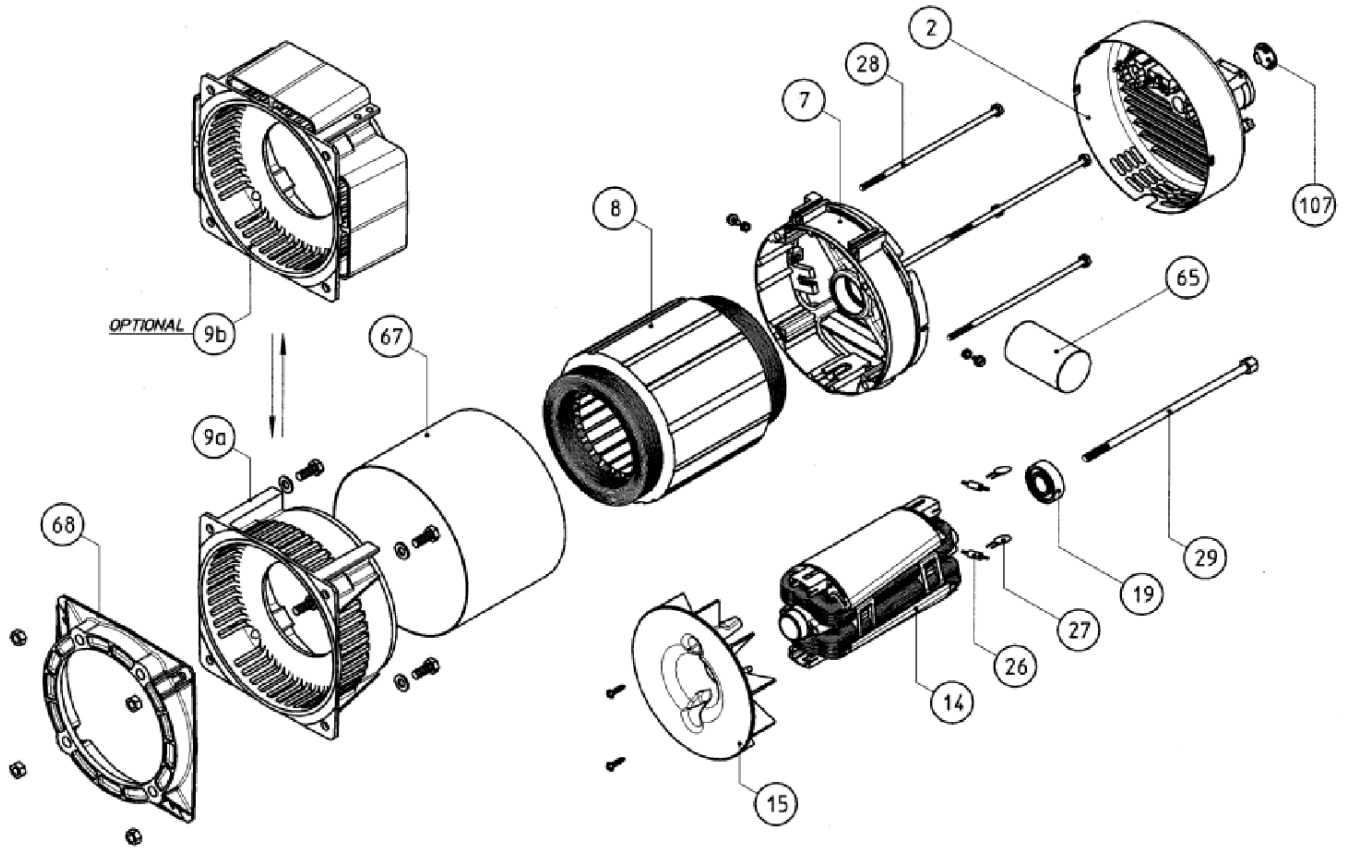
# Receptacle Assembly



## Receptacle Assembly continued

ITEM NO.	PART NUMBER	DESCRIPTION	QTY.
1	15221-052	RECEPTACLE BOX	1
2	466-000	.25-20X.75 HHB	2
3	47517-000	.25-20 NYLOCK	2
4	50766-000	NEMA 5-20R DUPLEX RECEPTACLE	1
5	97360-000	RECEPTACLE, NEMA L14-30R 120_240V	1
6	56359-000	L5-30R	1
7	15620-008	STANDARD DUPLEX COVER	1
8	91286-001	CIRCUIT BREAKER, 20A, 1 PL	2
9	16488-018	CIR.BRK.30A-2PL-240V-GFCI-CARLING	1
10	48042-001	TERMINAL, GROUND LUG, 6-14AWG	1
11	21698-001	TORX PAN HEAD SCREW #10	2
12	512-000	.25 WASHER	4
13	6917-001	RHMS 6-32 X .375 BLACK ZINC	4
14	7792-001	BZ RHMS 6-32X.5	7
15	24198-001	BHMS #8-32 x .625 BLACK	5
16	51802-000	NUT HEX #6-32 NYLOCK	6
17	95985-000	#8-32 NYLOK HEX NUT	5
18	511-000	#8 FLATWASHER	5
19	21976-000	#8 LOCKWASHER EXTERNAL TOOTH	1
20	62486-000	GROMMET 1 X 1.375	1
21	425-000	#6 FLATWASHER	2
22	48602-003	TERMINAL FEMALE 16-14 AWG .250 TAB	4
23	4158-000	TERMINAL RING 16-14 AWG #10	4
24	4156-000	TERMINAL RING 12-10 #10 STUD	5
25	22370-013	TERMINAL, SPADE, 12-10AWG, #10 STUD	4
26	58166-009	DISPLAY MODULE	1
27	22370-007	TERMINAL SPADE 16/14AWG #10STUD	12
28	16346-010	4-POSITION PLUG	1
29	16346-011	TERMINAL LUG	4
30	44791-000	TERMINAL CLOSED CONNECTOR	1
31	15458-076	RECEPTACLE PANEL	1
32	58165-18	DISPLAY MODULE CABLE	1
33	58166-010	TERMINAL BLOCK MODULE	1
34	95810-000	CABLE TIE HOLDER	1
35	58166-009	DISPLAY MODULE MOUNTING CLIP	1

# Generator Information



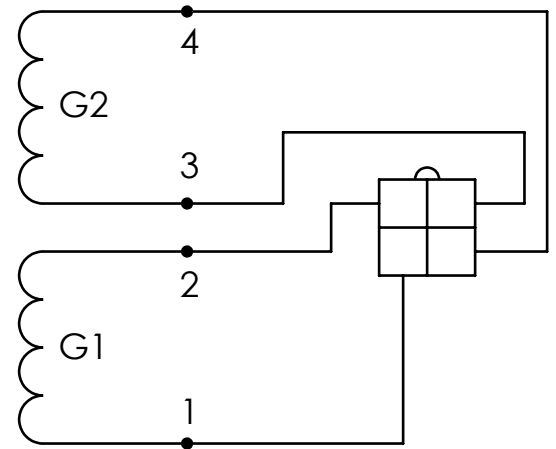
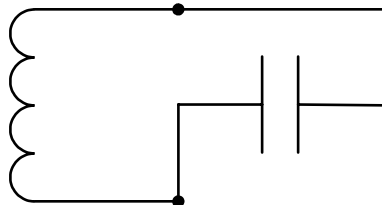
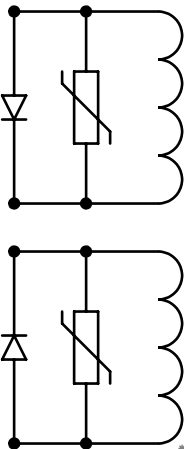
ITEM	PART NUMBER	DESCRIPTION	QTY
1	16346-006	COMPLETE S16W-130 GEN	1
19	55223-000	REAR BEARING	1
26	16346-106	VARISTOR	2
27	300323-207	DIODE	2
65	16346-612	CAPACITOR	1

<b>S16W-130 EXPECTED RESISTANCE (<math>\Omega</math>)</b>		
ROTOR	STATOR	EXCITATION
3.95	0.36	2.446

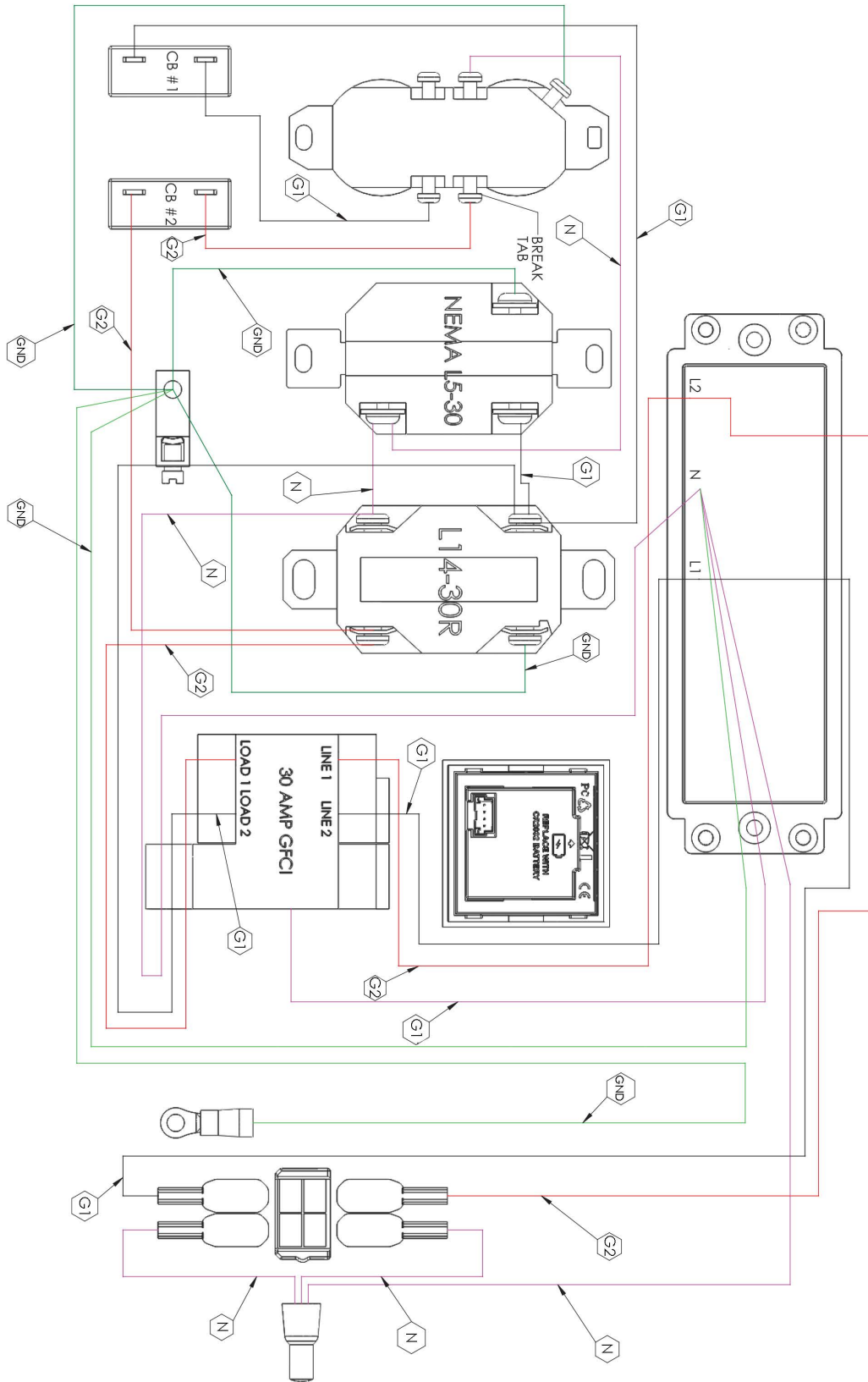
Rotor

Excitation

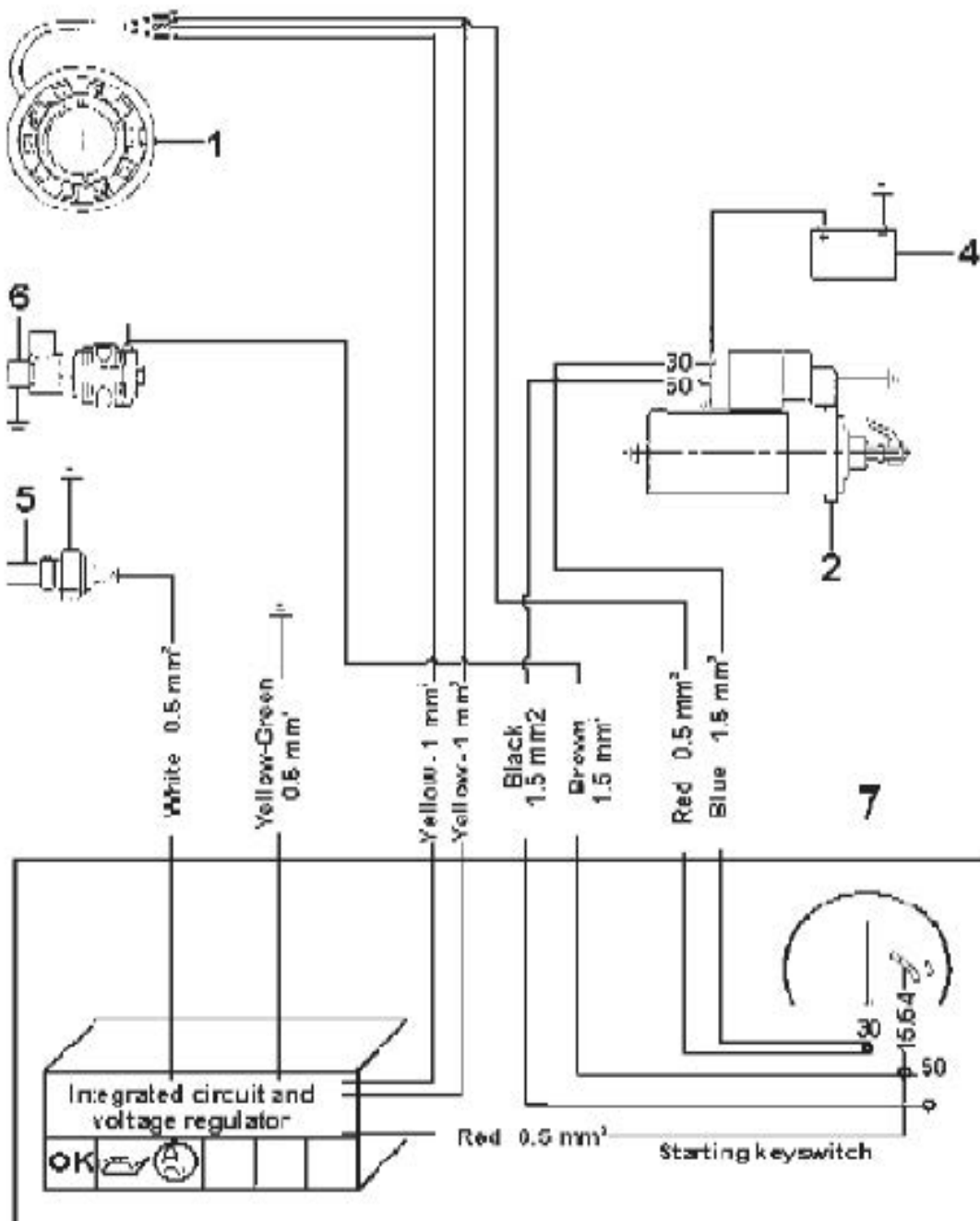
Power



# Receptacle Wiring Diagram



# Engine Wiring Diagram



1	Alternator
2	Starter Motor
4	Battery
5	Pressure Switch
6	Solenoid Valve
7	Ignition Switch