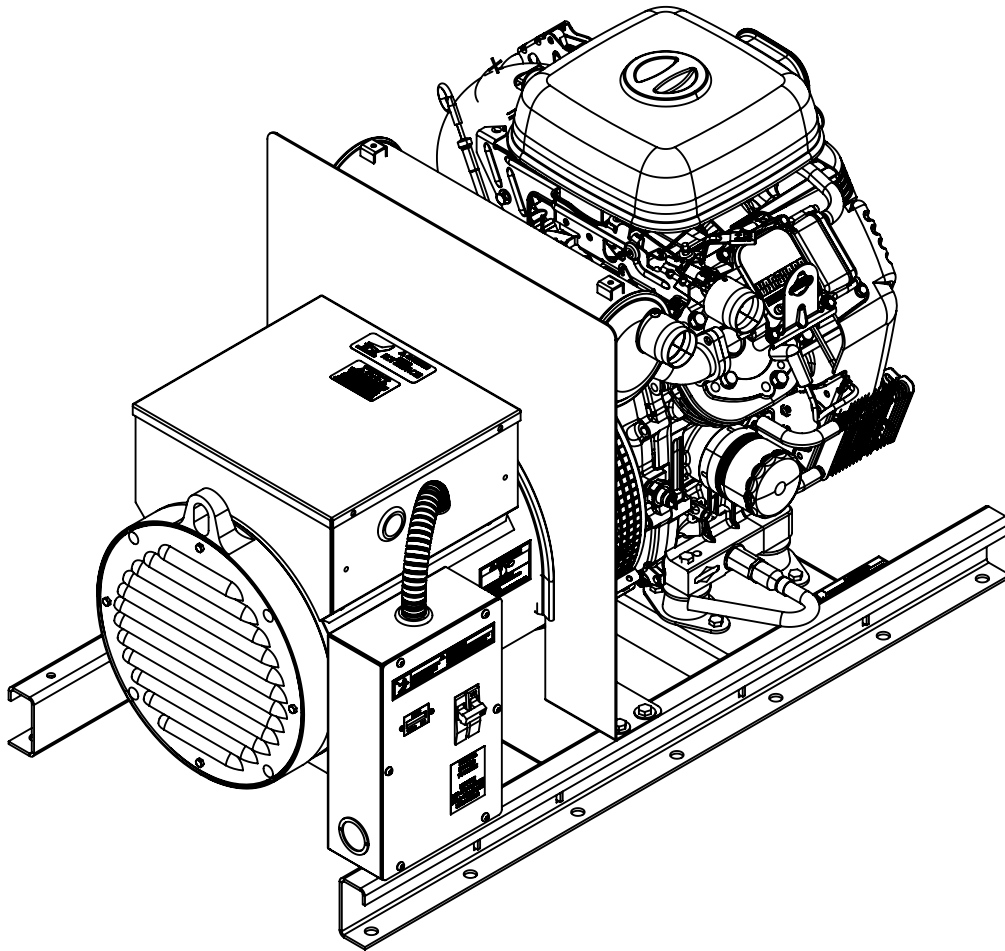
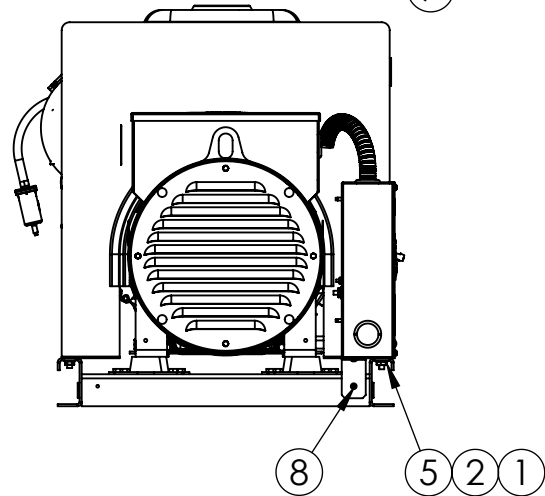
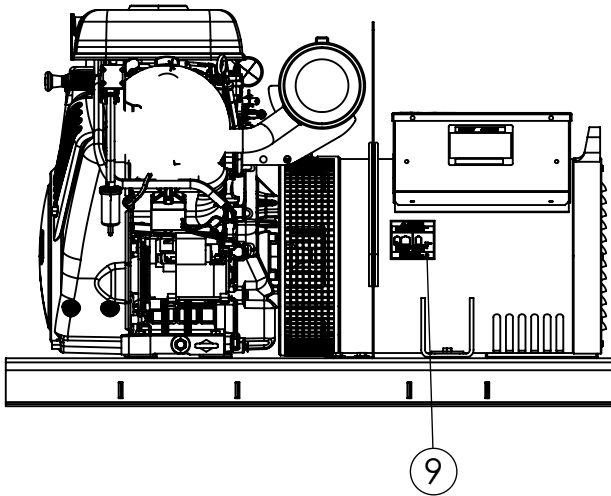
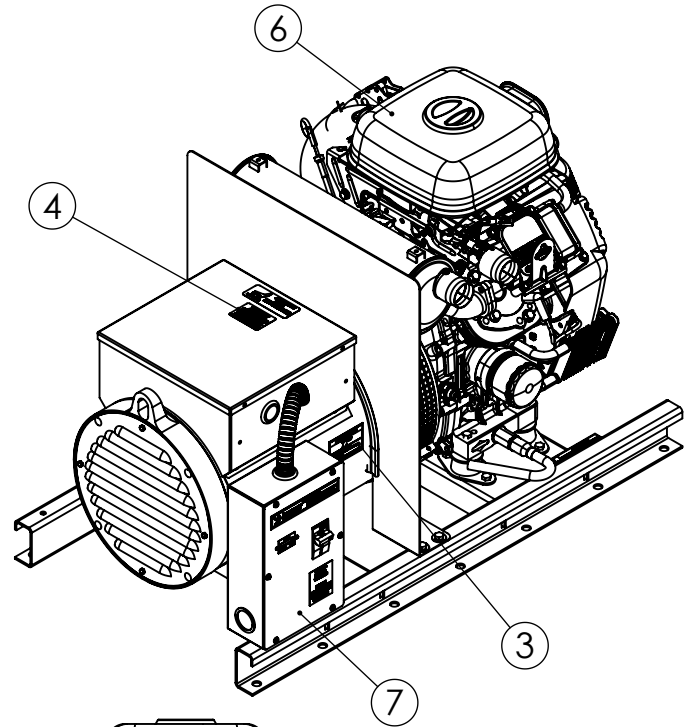


This manual covers a product family with many variations of voltages and accessories. Not all options in the parts lists were included in each model. Contact WINCO service with your serial number if you are not sure which options were included with your generator.



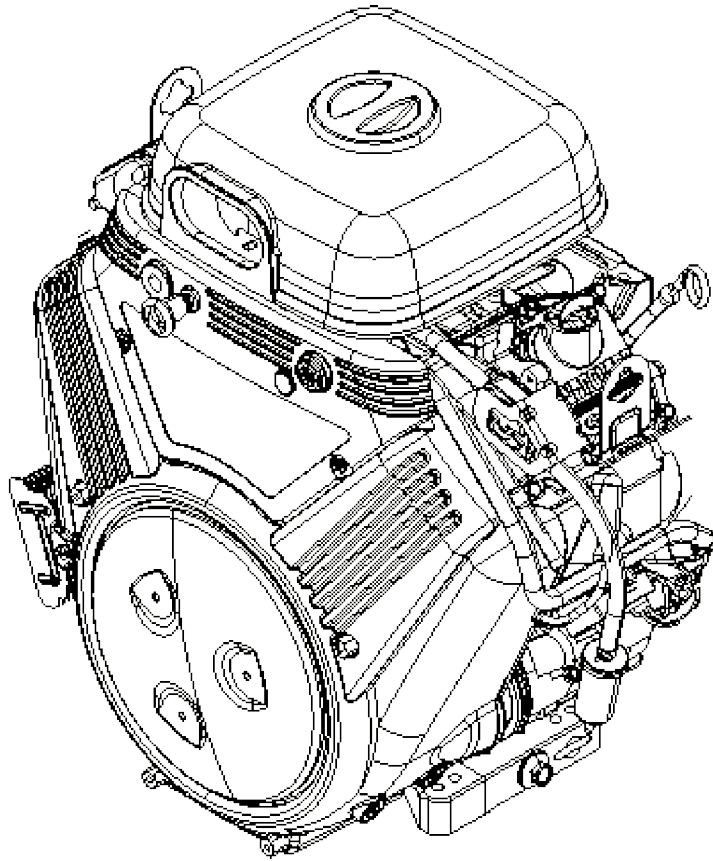
WINCO Service
Phone: 507-357-6831
Email: service@wincogen.com
www.wincogen.com

General Assembly



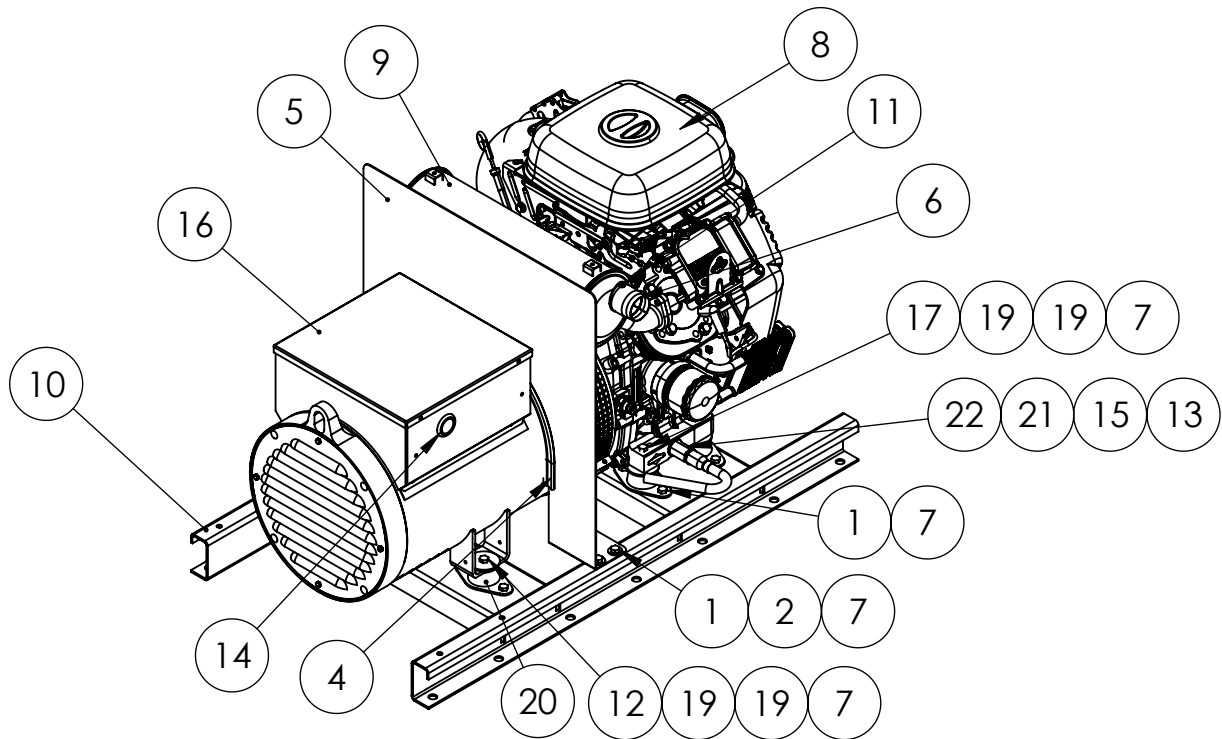
ITEM NO.	PartNo	DESCRIPTION	QTY.
1	467-000	HHCS 5/16-18X.75	2
2	526-000	5/16 FLAT WASHER	2
3	15209-002	DECAL-DANGER CARBON MONOXIDE	1
4	15209-036	PROP 65 WARNING DECAL	1
5	16249-000	.3125-18 FLANGE NUT	2
6	19022-055	ENGINE AND BASE ASSEMBLY	1
7	19022-200	CIRCUIT BREAKER BOX ASSEMBLY	1
8	21698-001	TORX PAN HEAD SCREW #10	1
9	64918-000	DECAL-DANGER (CO) USE OUTSIDE	1

Engine Information



ITEM	PART	DESCRIPTION	QTY
1	2-102	EXHAUST MANIFOLD GASKET	2
2	2-103	AIR FILTER	1
3	2-104	PRE-FILTER	1
4	2-105	OIL FILTER	1
5	2-106	FUEL FILTER	1
6	2-109	SPARK PLUG	1
Contact WINCO service or your Briggs and Stratton dealer for full engine part support.			

Base & Hardware

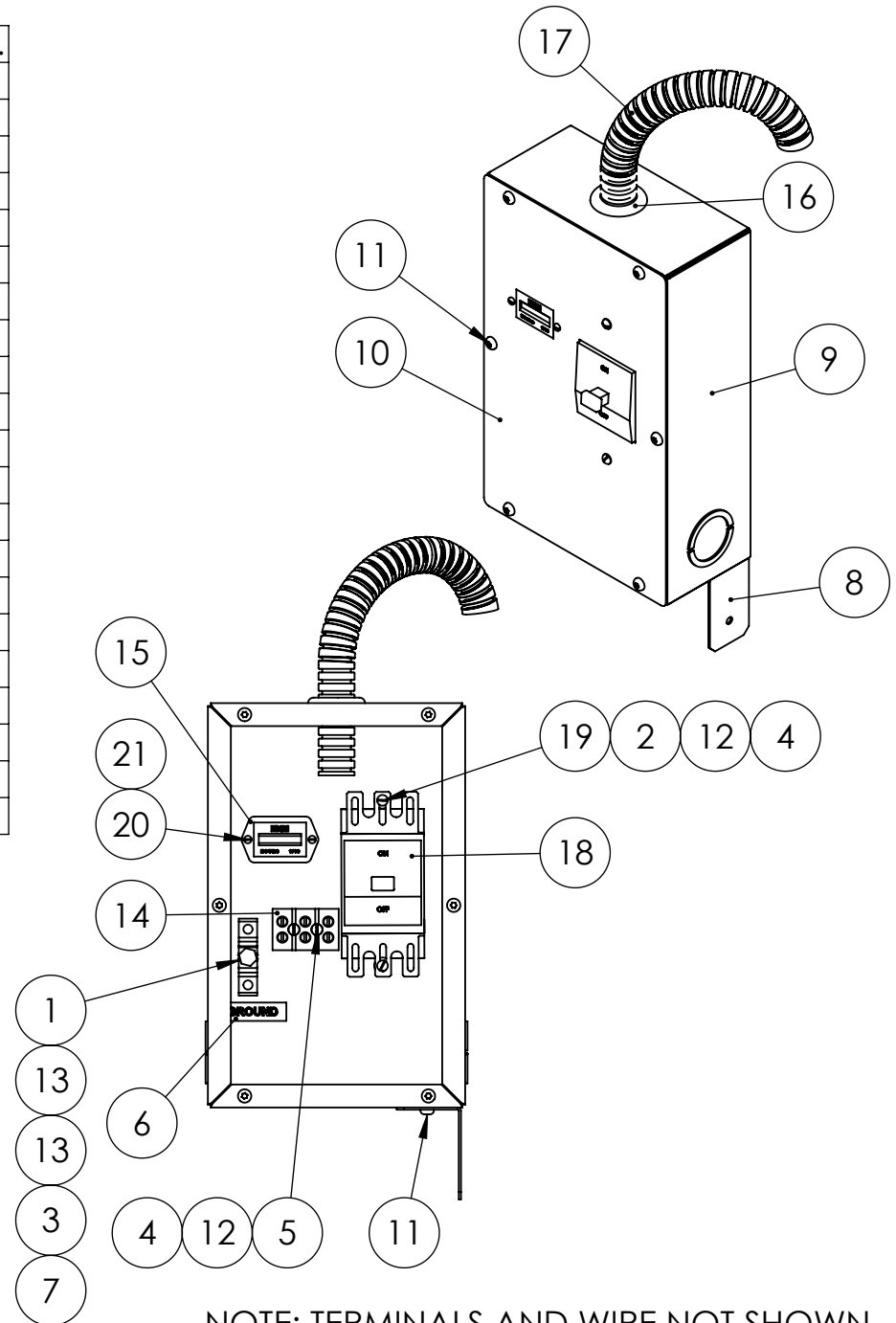


ITEM NO.	PartNo	DESCRIPTION	QTY.
1	467-000	HHCS 5/16-18X.75	16
2	526-000	5/16 FLAT WASHER	4
3	630-000	LOCKWASHER 3/8 INTERNAL TOOTH ZINC	4
4	15287-030	22IN AIR SEAL	1
5	15687-066	HEAT SHIELD	1
6	16237-002	SPARK ARRESTOR	1
7	16249-000	.3125-18 FLANGE	22
8	16420-001	BRIGGS AND STRATTON 993CC 35HP ENGINE	1
9	16479-001	MUFFLER 31HP B&S	1
10	19022-500	WELDED BASE ASS'Y	1
11	21698-001	TORX PAN HEAD SCREW #10	1
12	51101-000	.3125-18 X 2.75 HHCS	2
13	62286-012	HOSE, 1/2"ID NEOPRENE	1
14	62486-000	GROMMET 1 X 1.375	1
15	62999-004	HOSE CLAMP .69 OD	1
16	64887-003	GEN END, MECC ALTE ECP28-3L/2A, 20.4KW-1PH	1
17	91107-000	5/16-18 X 3.5	4
18	91658-001	HHCS 3/8-16X1	4
19	98806-000	WASHER .406 X 2	12
20	98807-000	SHOCKMOUNT 40 DURO	6
21	300349	OIL DRAIN VALVE	1
22	300349-1	OIL DRAIN ADAPTER	1

ITEMS 3 AND 18 USED TO COUPLE THE ENGINE AND GENERATOR

EC22000VE-17/A 120/240V 3-PH CIRCUIT BREAKER BOX ASSEMBLY

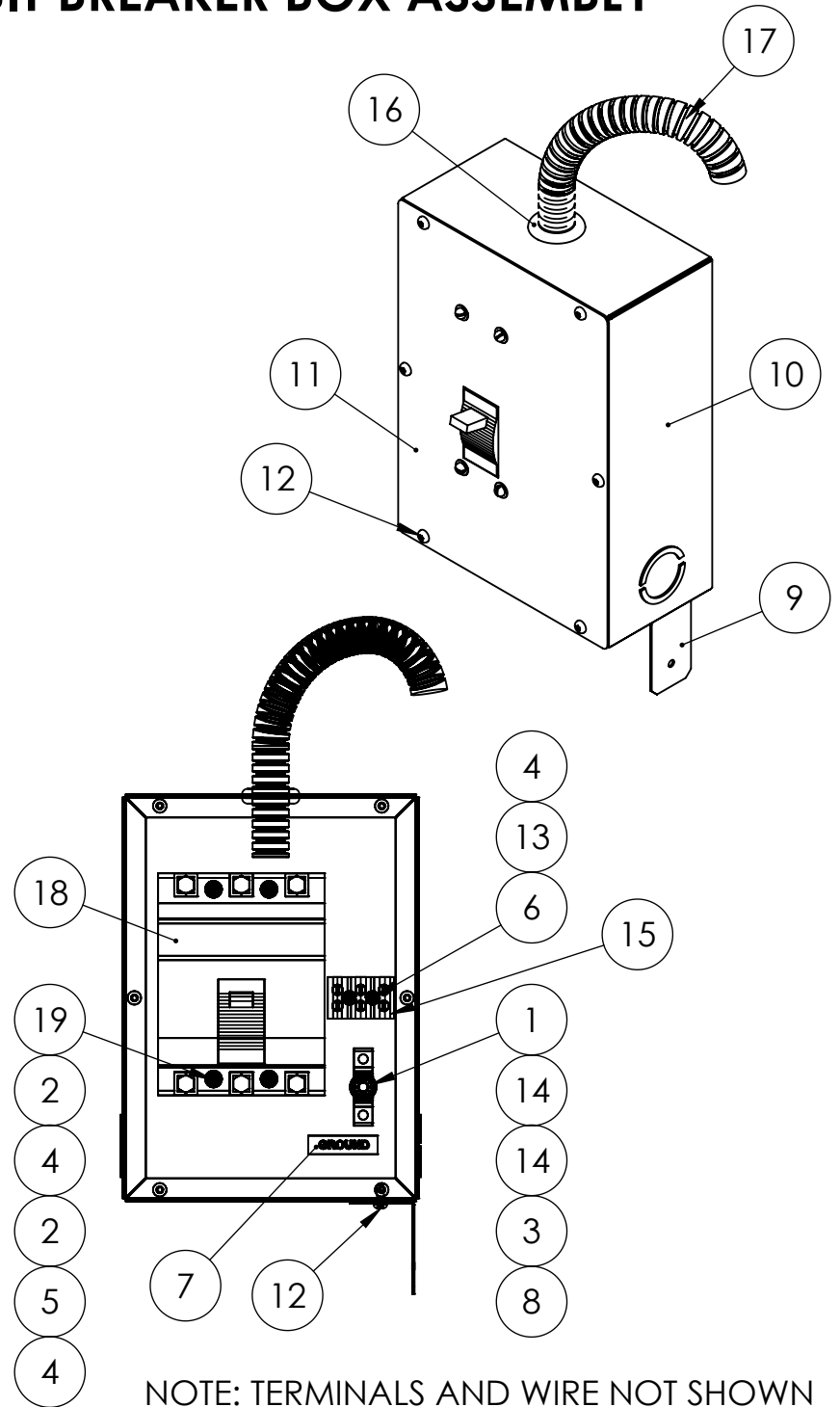
ITEM NO.	PartNo	DESCRIPTION	QTY.
1	466-000	.25-20X.75 HHB	1
2	511-000	#8 FLATWASHER	2
3	4516-000	LOCKWASHER 1/4 EXTERNAL TOOTH	1
4	5113-000	NUT HEX # 8	4
5	10846-000	RHMC 8-32 X 1.5	2
6	15750-000	GROUND DECAL (WHITE LETTERS)	1
7	16248-000	.25-20 FLANGE NUT	1
8	19022-205	RECEPTACLE BOX SUPPORT	1
9	19022-306	RECEPTACLE BOX	1
10	19022-307	RECEPTACLE PANNEL	1
11	21698-001	TORX PAN HEAD SCREW #10	7
12	21976-000	#8 LOCKWASHER EXTERNAL TOOTH	4
13	48042-000	TERMINAL, GROUND LUG, 4-14 AWG	2
14	51795-000	3 PT TERMINAL BLOCK	1
15	58166-001	ELAPSED TIME METER	1
16	62486-000	GROMMET 1 X 1.375	1
17	62487-002	LOOM 0.75 ID	1
18	82584-005	CIR.BRK.60A-3PL-240V	1
19	94000-000	RHMS 8-32X1/2	2
20	97322-000	RHMS 4-40X3/8	2
21	97327-000	HEX NUT 4-40 NYLON	2



NOTE: TERMINALS AND WIRE NOT SHOWN

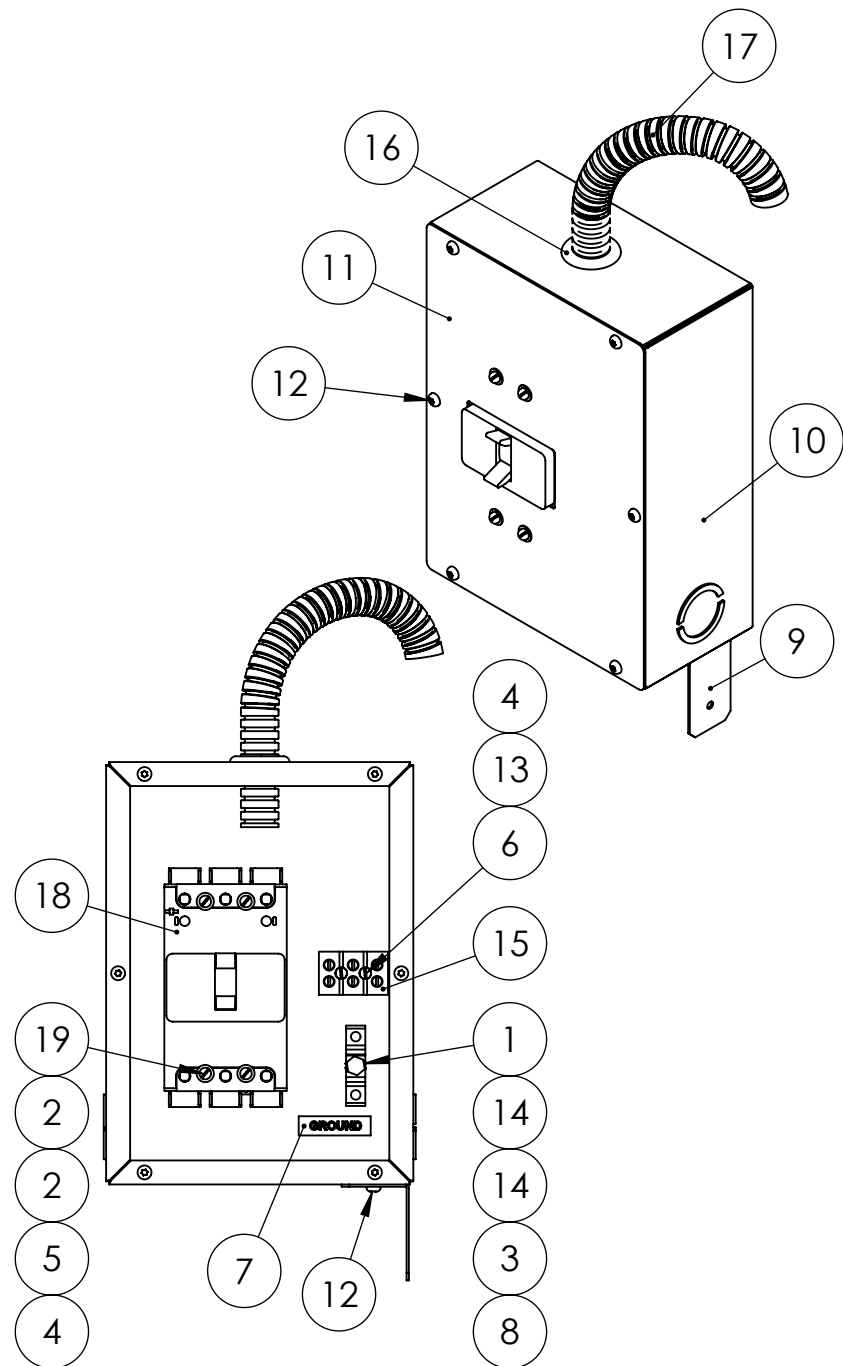
EC22000VE-28/A 230/400V 3-PH CIRCUIT BREAKER BOX ASSEMBLY

ITEM NO.	PartNo	DESCRIPTION	QTY.
1	466-000	.25-20X.75 HHB	1
2	511-000	#8 FLATWASHER	8
3	4516-000	LOCKWASHER 1/4 EXTERNAL TOOTH	1
4	5113-000	NUT HEX # 8	10
5	6376-000	#8 LOCKWASHER	4
6	10846-000	RHMC 8-32 X 1.5	2
7	15750-000	GROUND DECAL (WHITE LETTERS)	1
8	16248-000	.25-20 FLANGE NUT	1
9	19022-205	RECEPTACLE BOX SUPPORT	1
10	19022-302	RECEPTACLE BOX	1
11	19022-303	RECEPTACLE PANEL	1
12	21698-001	TORX PAN HEAD SCREW #10	7
13	21976-000	#8 LOCKWASHER EXTERNAL TOOTH	2
14	48042-000	TERMINAL, GROUND LUG, 4-14 AWG	2
15	51795-000	3 PT TERMINAL BLOCK	1
16	62486-000	GROMMET 1 X 1.375	1
17	62487-002	LOOM 0.75 ID	1
18	81097-019	CIR.BRK.35A-3PL-480V	1
19	95832-001	RHMS 8-32 X 3.75	4



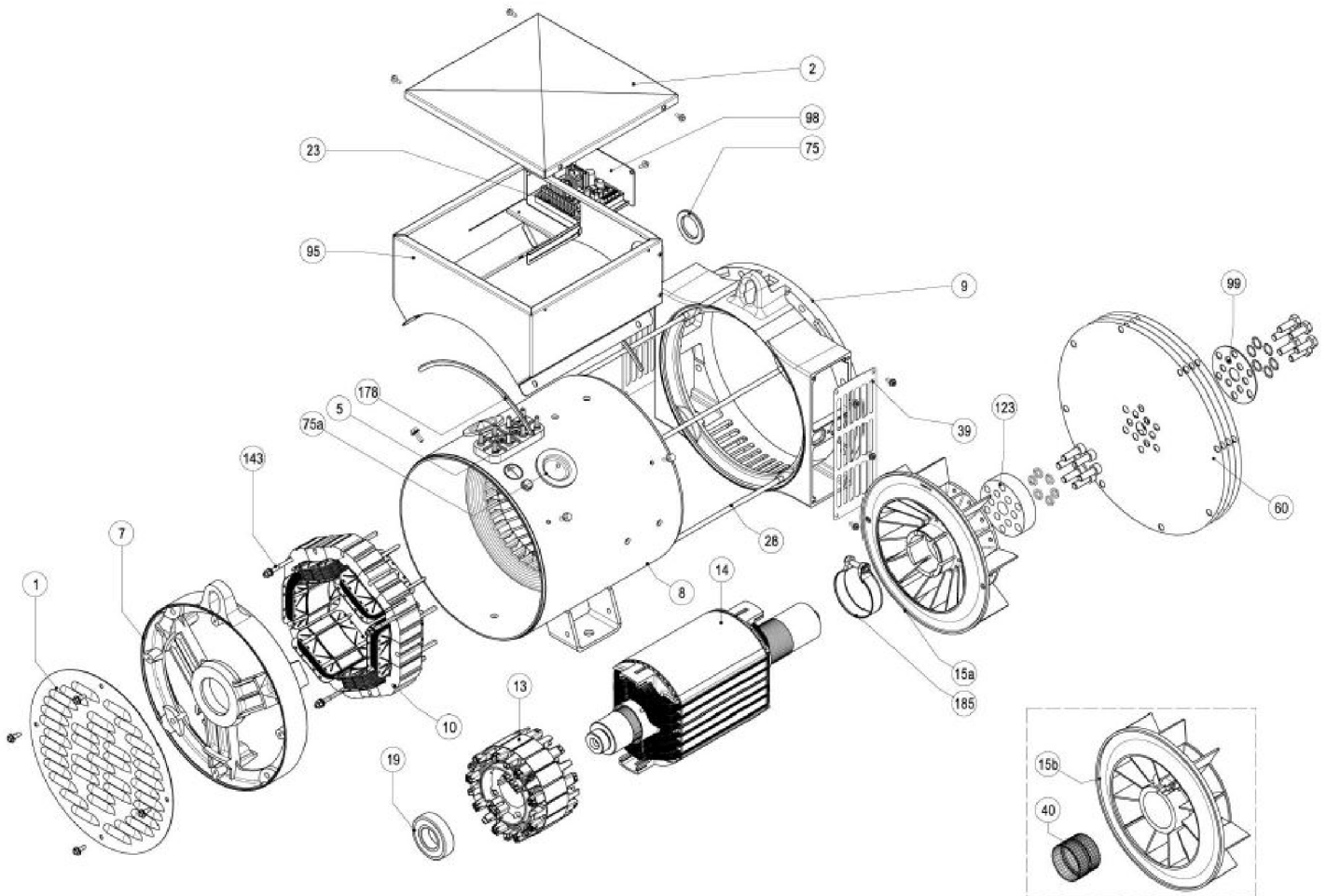
EC22000VE-18/B 277/480V 3-PH CIRCUIT BREAKER BOX ASSEMBLY

ITEM NO.	PartNo	DESCRIPTION	QTY.
1	466-000	.25-20X.75 HHB	1
2	511-000	#8 FLATWASHER	8
3	4516-000	LOCKWASHER 1/4 EXTERNAL TOOTH	1
4	5113-000	NUT HEX # 8	6
5	6376-000	#8 LOCKWASHER	4
6	10846-000	RHMC 8-32 X 1.5	2
7	15750-000	GROUND DECAL (WHITE LETTERS)	1
8	16248-000	.25-20 FLANGE NUT	1
9	19022-205	RECEPTACLE BOX SUPPORT	1
10	19022-302	RECEPTACLE BOX	1
11	19022-310	RECEPTACLE PANEL	1
12	21698-001	TORX PAN HEAD SCREW #10	7
13	21976-000	#8 LOCKWASHER EXTERNAL TOOTH	2
14	48042-000	TERMINAL, GROUND LUG, 4-14 AWG	2
15	51795-000	3 PT TERMINAL BLOCK	1
16	62486-000	GROMMET 1 X 1.375	1
17	62487-002	LOOM 0.75 ID	1
18	81097-062	CIR.BRK. 30A-3PL-480V BDL36030	1
19	95832-001	RHMS 8-32 X 3.75	4



NOTE: TERMINALS AND WIRE NOT SHOWN

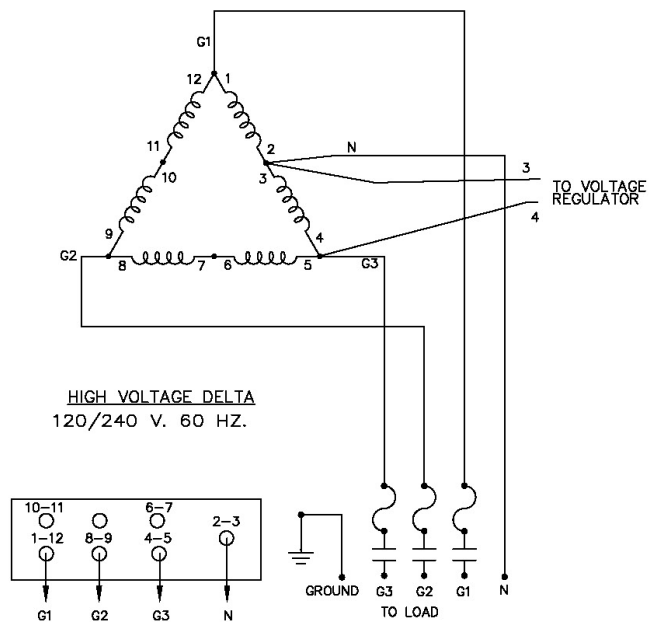
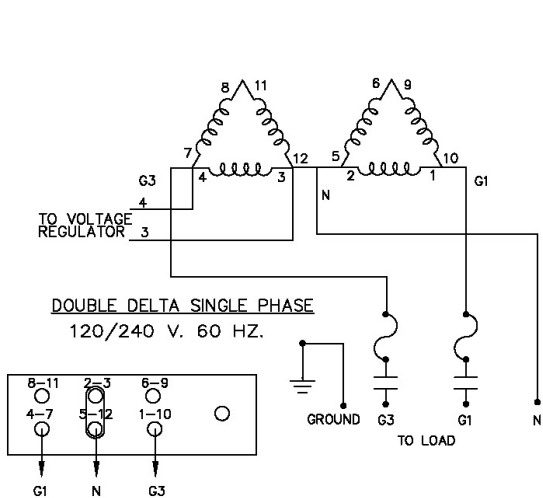
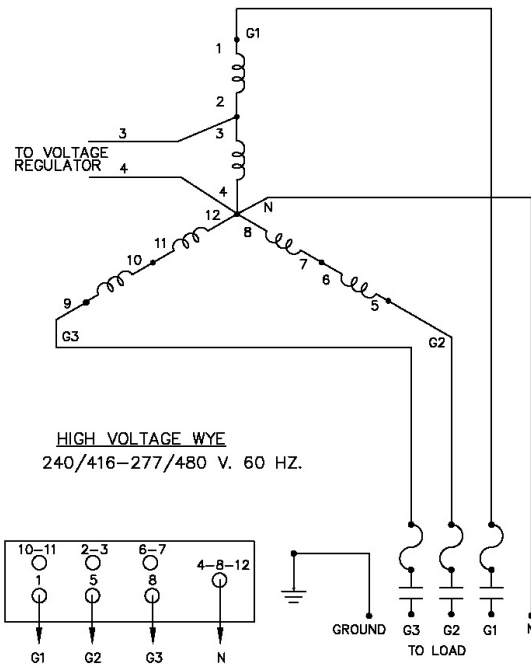
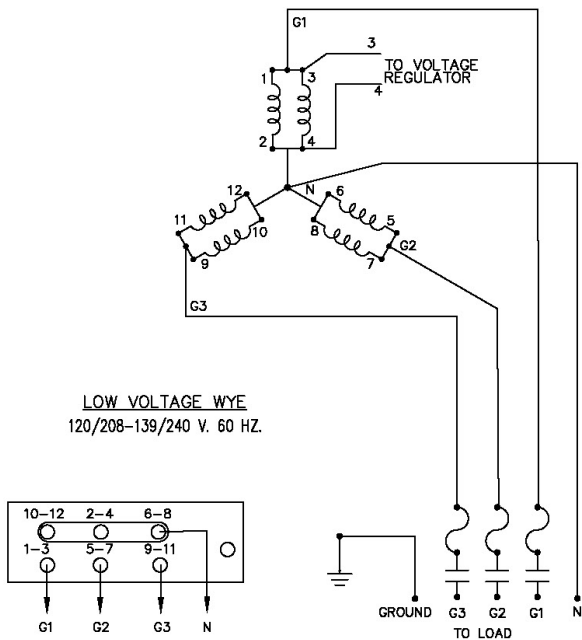
Generator Information



REF #	PART NUMBER	QTY	DESCRIPTION
N/A	64887-003	1	COMPLETE GENERATOR ASSEMBLY
The gen end used on this model is a special tapered shaft not illustrated in the drawing. Call WINCO Service Department for details.			

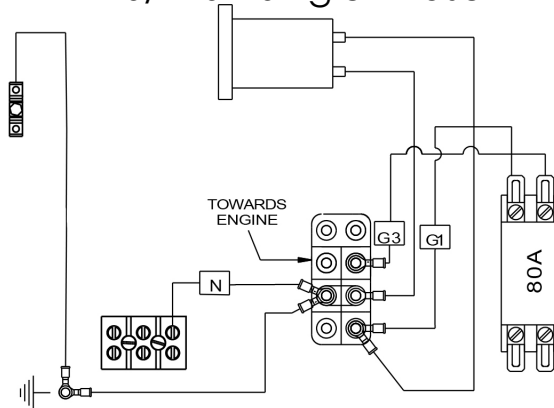
Expected Resistance (Ω)		
ROTOR	STATOR	EXCITATION
5.848	0.086	1.087

Generator Wiring

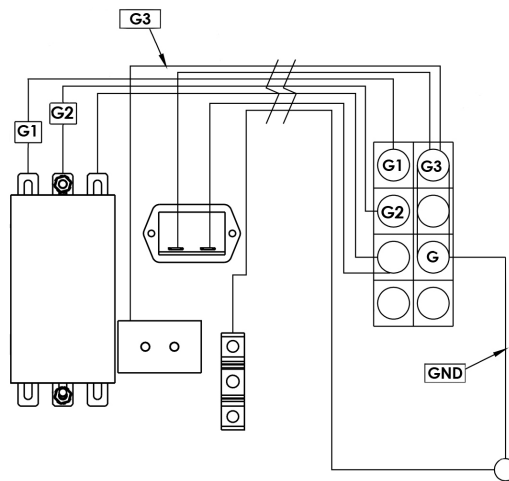


Distribution Wiring Diagram

120/240V Single Phase



120/208 & 120/240V Three Phase



277/480V Three Phase

